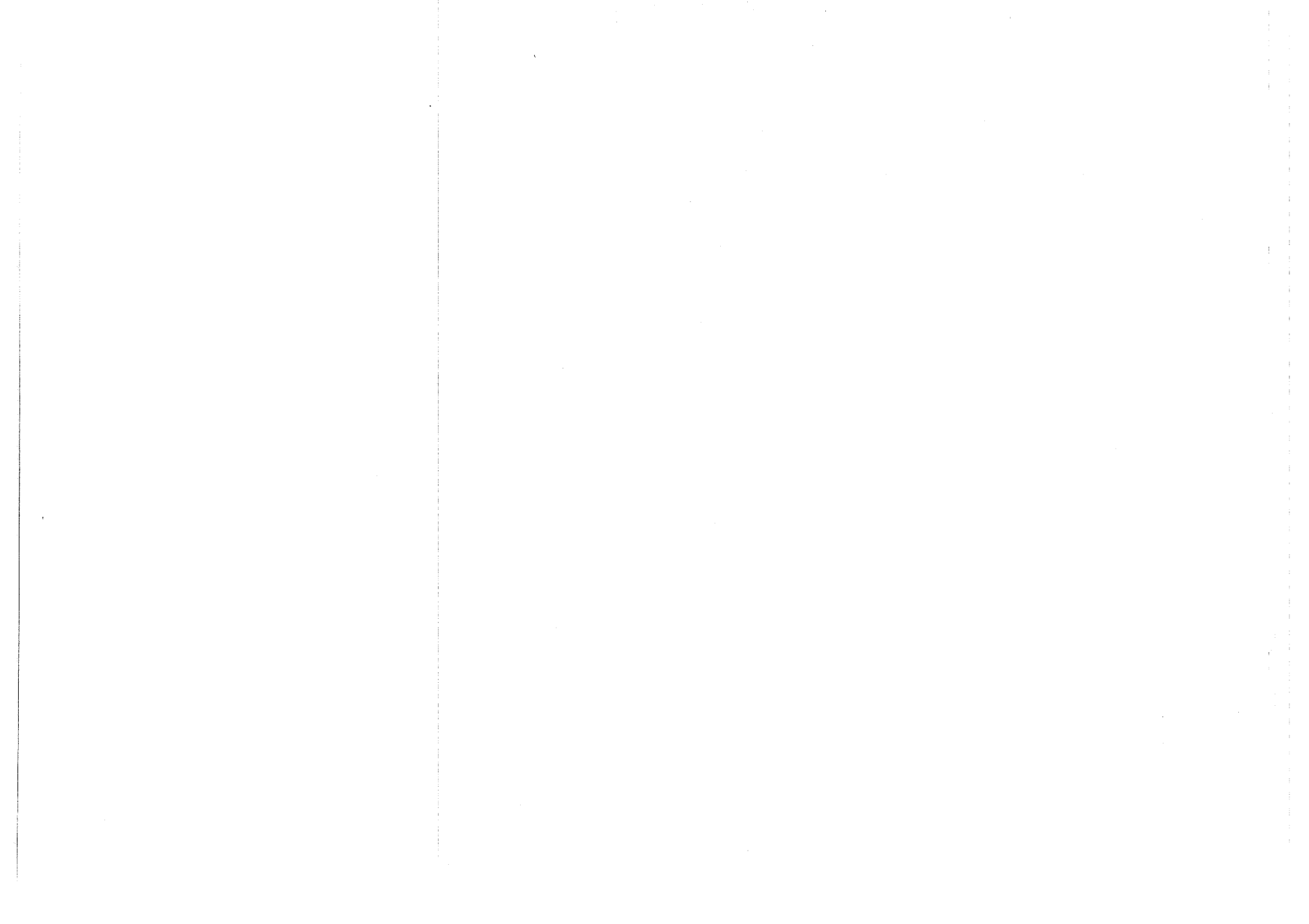


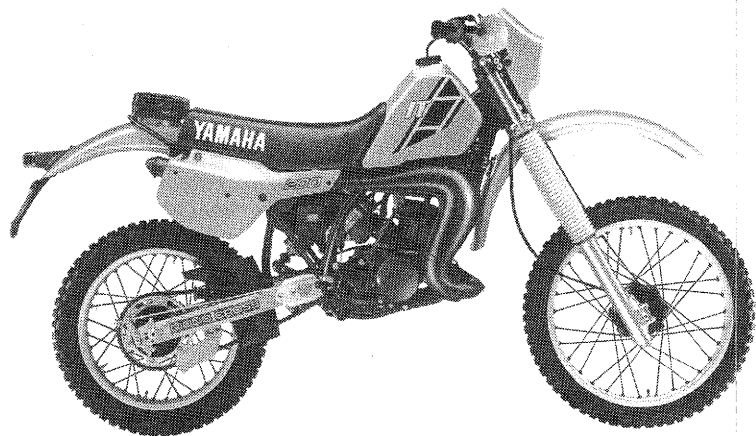
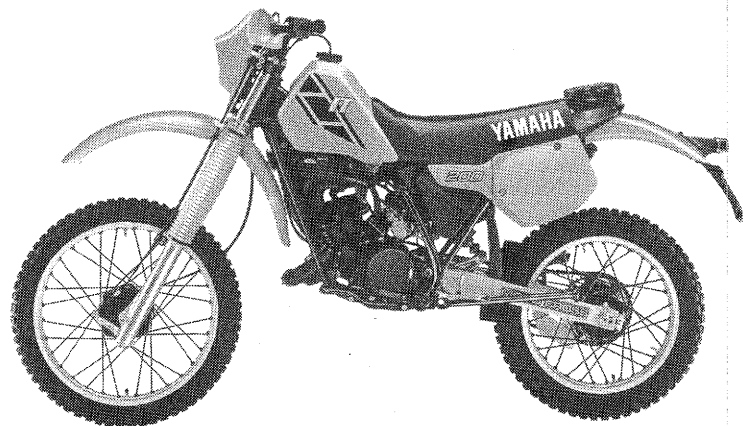
YAMAHA

PARTS CATALOGUE

IT200L(49T)

1449T-700E1





CONTENTS

ENGINE

Cylinder	B2
Crankshaft · Piston	B3
Intake	B4 ~ B5
Carburetor	B6
Exhaust	B7
Crankcase	B8
Crankcase Cover 1	B9
Starter	B10
Clutch	B11
Transmission	B12 ~ B13
Shift Cam · Fork	B14
Shift Shaft	B15

CHASSIS

Frame	C2
Fender	C3
Side Cover	C4
Rear Arm	C5 ~ C7
Rear Suspension	C8 ~ C9
Steering	C10
Front Fork	C11 ~ C13
Fuel Tank	C14 ~ C15
Seat	D2
Front Wheel	D3
Rear Wheel	D4 ~ D5
Steering Handle · Cable	D6 ~ D7
Stand · Footrest	D8 ~ D9
Generator	D10
Flasher Light	D11

Meter	D12
Headlight	D13
Taillight	D14
Handle Switch · Lever	D15
Electrical 1	E2 ~ E3

ALTERNATE PARTS

Alternate (Chassis)	E4
---------------------------	----

REPAIR KIT

Repair Kit	E5 ~ E6
------------------	---------

INDEX

Numerical Index	L1 ~ L3
Parts Name Index	M1 ~ M6

FOREWORD

This Parts Catalogue is related to the parts in use for the Yamaha 1T 200L (49T).
When you are ordering replacement parts for the 1T 200L (49T), refer to this Parts Catalogue and quote both part numbers and part names correctly.

1. Modifications or additions which have been made after issue of the Parts Catalogue will be announced in the Yamaha Parts News.
It is advisable that according to the Yamaha Parts News you make necessary corrections to the Parts Catalogue on hand to keep it up-to-date.

2. Abbreviations

The following abbreviations are used in this Parts Catalogue.

- U.R. Use size (thickness) and/or number as required.
- U.N. Use as many as you need.
- A.P. Alternate Parts
- L.M. Local Made
- F# Frame No. (Applicable machine No.)

3. The parts marked with (*) in the parts number column of this Catalogue are not supplied with by Yamaha, those have to be found locally.
4. Parts, which are to be supplied in the form of assemblies, are listed with an indentation of one letter's space, and a dot (.) is put against the name of each part.

EXAMPLE CARBURETOR ASS'Y
 . JET, pilot
 . NOZZLE, main

5. Indication of No. of constituent parts for assembly

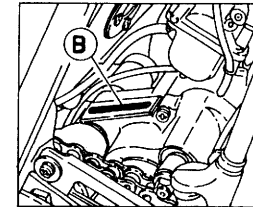
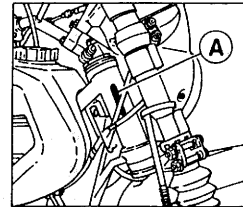
The numeral appearing to the right of each constituent part under the description indicates the quantity of such parts for each individual assembly unit.

EXAMPLE

Part No.	Description	Q'ty	Remarks
2F5-83310-60	FRONT FLASHER LIGHT ASS'Y	2	
115-83311-60	. BULB (6V-18W)	1	
1M1-83309-60	. REFLECTOR	1	

6. Initial Serial No. and Color Code

(A) Frame Serial No.	49T-000101 and following
(B) Engine Serial No.	49T-000101 and following

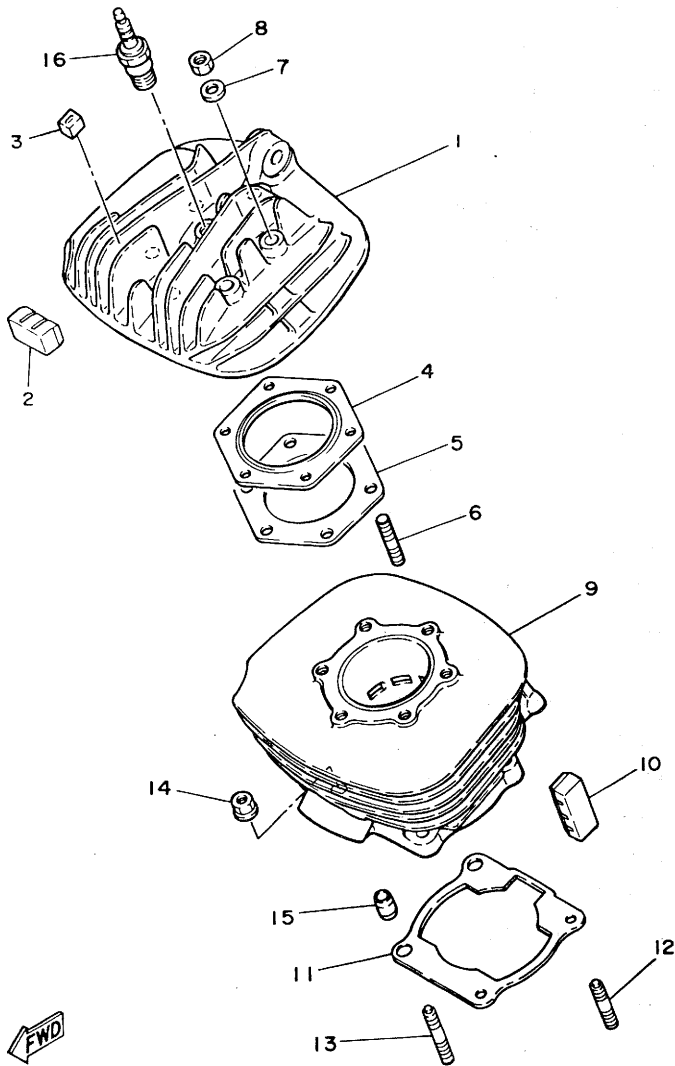


Color Code	Color Name	Abbreviate
G8	Sky Blue	SYB

7. Applicable colors of graphics are represented in the "Remarks" column by the letter(s) appropriately picked out of the full word(s) showing such colors.

EXAMPLE

Part No.	Description	Q'ty	Remarks
2N4-24110-00-X5	FUEL TANK COMP.	1	MAXIM RED
3J1-24240-10	. GRAPHIC, fuel tank set	1	for MXR



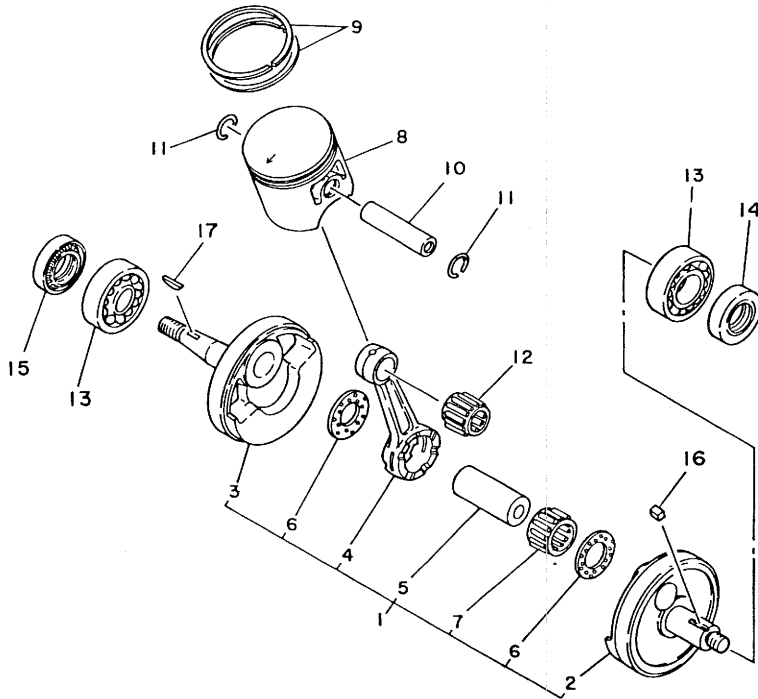
49T700-4010

FIG. 1 CYLINDER

REF. NO.	PART NO.	DESCRIPTION	Q'TY	REMARKS
1	43G-11111-00	HEAD, cylinder 1	1	
2	3R9-11162-00	ABSORBER 2	2	
3	463-11127-02	ABSORBER 3	5	
4	43G-11181-00	GASKET, cylinder head 1	1	
5	49T-11181-00	GASKET, cylinder head 1	1	
6	90116-08394	BOLT, stud	6	
7	90201-08649	WASHER, plate	6	
8	95311-08600	NUT	6	
9	43G-11311-00	CYLINDER 1	1	
10	3R6-11162-00	ABSORBER 2	4	
11	43G-11351-00	GASKET, cylinder	1	
12	90116-08318	BOLT, stud	2	
13	90116-08409	BOLT, stud	2	
14	90179-08246	NUT	4	
15	91810-03014	PIN, dowel	2	
16	*	PLUG, spark (CHAMPION N-86)	1	UR LM
	*	PLUG, spark (CHAMPION QN86)	1	UR LM

FIG. 2 CRANKSHAFT. PISTON

REF. NO.	PART NO.	DESCRIPTION	Q'TY	REMARKS
1	43G-11400-00	CRANKSHAFT ASSY	1	
2	43G-11412-00	.CRANK 1	1	
3	43G-11422-00	.CRANK 2	1	
4	43G-11651-00	.ROD, connecting	1	
5	43G-11681-00	.PIN, crank 1	1	
6	90209-22071	.WASHER	2	
7	93310-522M4	.BEARING, cylindrical	1	
8	43G-11631-00-95	PISTON (STD)	1	
	43G-11631-00-96	PISTON (STD)	1	
	43G-11635-00	PISTON (0.25MM O/S)	1	AP
	43G-11636-00	PISTON (0.50MM O/S)	1	AP
	43G-11637-00	PISTON (0.75MM O/S)	1	AP
	43G-11638-00	PISTON (1.00MM O/S)	1	AP
9	43G-11601-00	PISTON RING SET (STD)	1	
	43G-11601-10	PISTON RING SET (1ST O/S)	1	AP
	43G-11601-20	PISTON RING SET (2ND O/S)	1	AP
	43G-11601-30	PISTON RING SET (3RD O/S)	1	AP
	43G-11601-40	PISTON RING SET (4TH O/S)	1	AP
10	251-11633-00	PIN, piston	1	
11	4V2-11634-00	CLIP, piston pin	2	
12	93310-316H6	BEARING, cylindrical	1	
13	93306-20562	BEARING	2	
14	93103-32099	OIL SEAL	1	
15	93102-25331	OIL SEAL	1	
16	90282-05038	KEY, straight	1	
17	90280-03017	KEY, woodruff	1	



43G100-4020

B3

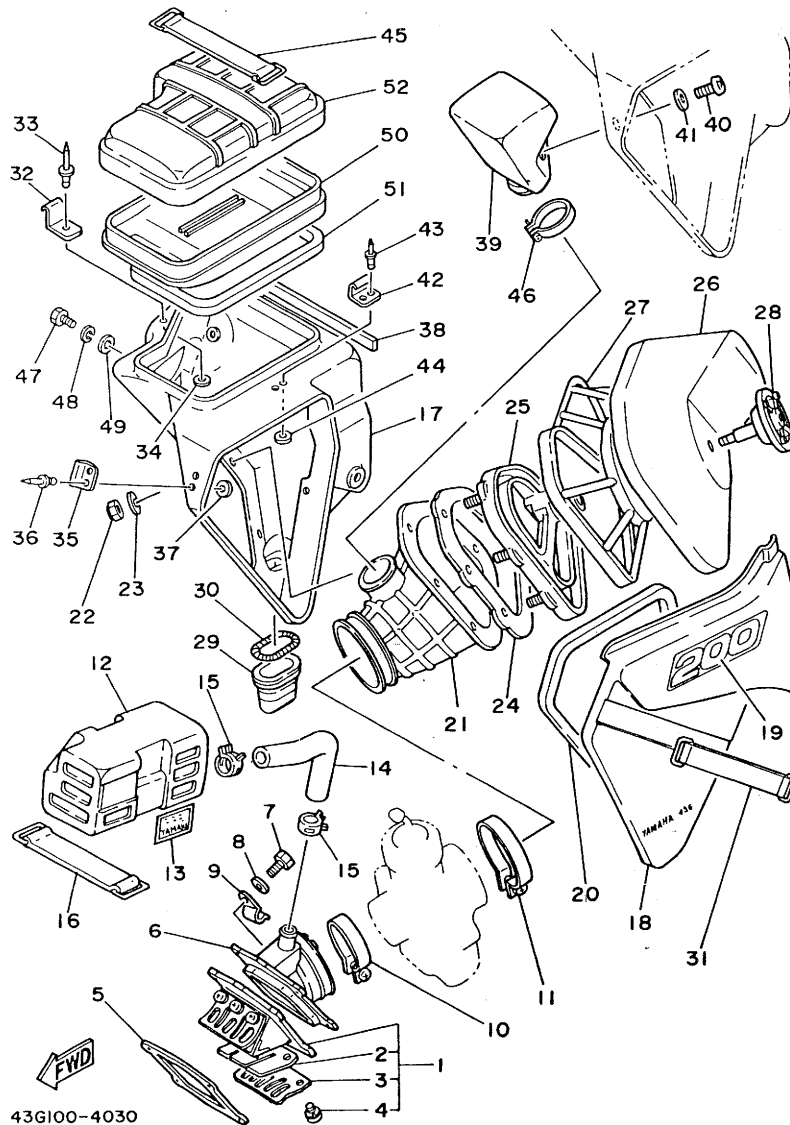


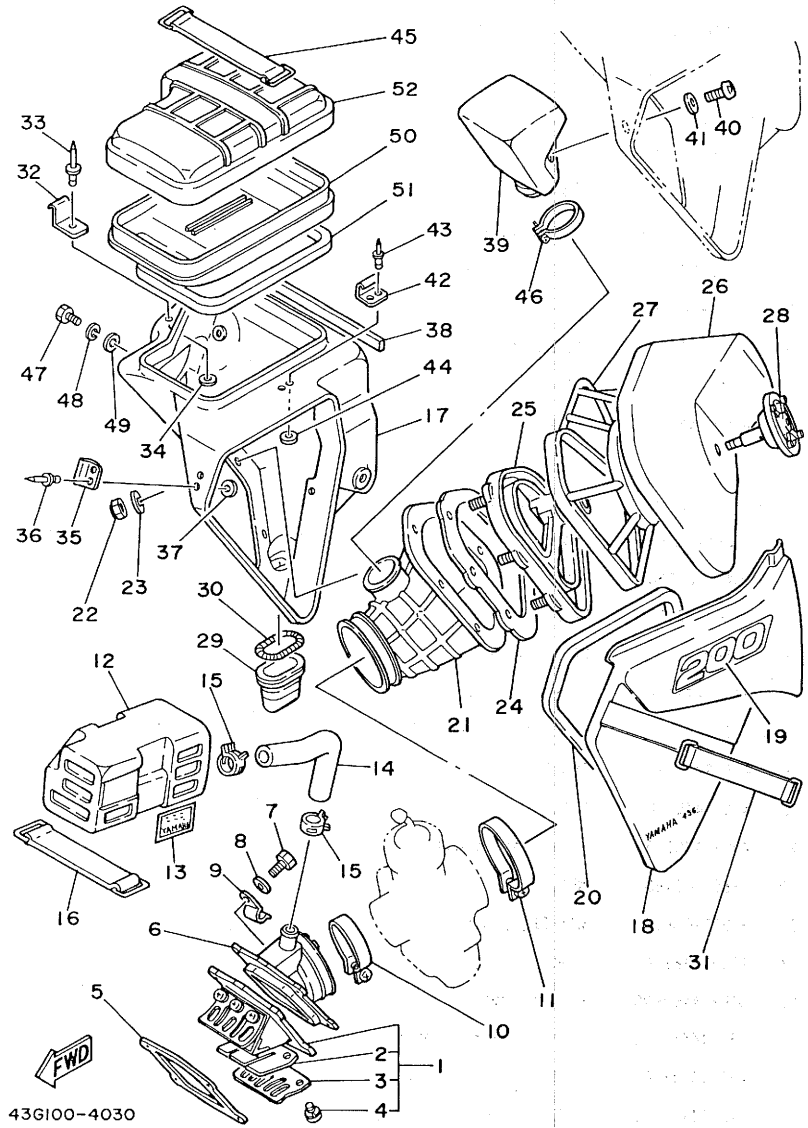
FIG. 3 INTAKE

REF. NO.	PART NO.	DESCRIPTION	Q'TY	REMARKS
1	43G-13610-00	REED VALVE ASSY	1	
2	3R3-13613-00	.REED, valve	2	
3	43G-13616-00	.STOPPER, reed valve	2	
4	97602-03108	.SCREW, pan head with washer	6	
5	39W-13621-00	GASKET, valve seat	1	
6	43G-13565-00	JOINT, carburetor	1	
7	97301-06025	BOLT	4	
8	90201-061A5	WASHER, plate	4	
9	90462-05005	CLAMP	1	
10	90460-49058	CLAMP, hose	1	
11	90460-64065	CLAMP, hose	1	
12	5X8-13581-00	CHAMBER, air	1	
13	4V3-1441K-00	EMBLEM	1	
14	90445-210A6	HOSE	1	
15	90467-20050	CLIP	2	
16	1E6-82131-00	BAND, battery	1	
17	43G-14411-00	CASE, air cleaner 1	1	
18	43G-14412-00	CAP, cleaner case 1	1	
19	43G-21781-00	EMBLEM 1	1	
20	43G-14452-00	SEAL	1	
21	43G-14453-00	JOINT, air cleaner 1	1	
22	95601-05100	NUT, u	6	
23	92901-05600	WASHER, plate	6	
24	43G-14462-00	SEAL	1	
25	43G-14459-00	HOLDER, guide	1	
26	43G-14451-00	ELEMENT, air cleaner	1	
27	43G-14458-00	GUIDE	1	
28	4V2-14468-02	PLATE, element fitting	1	

B4

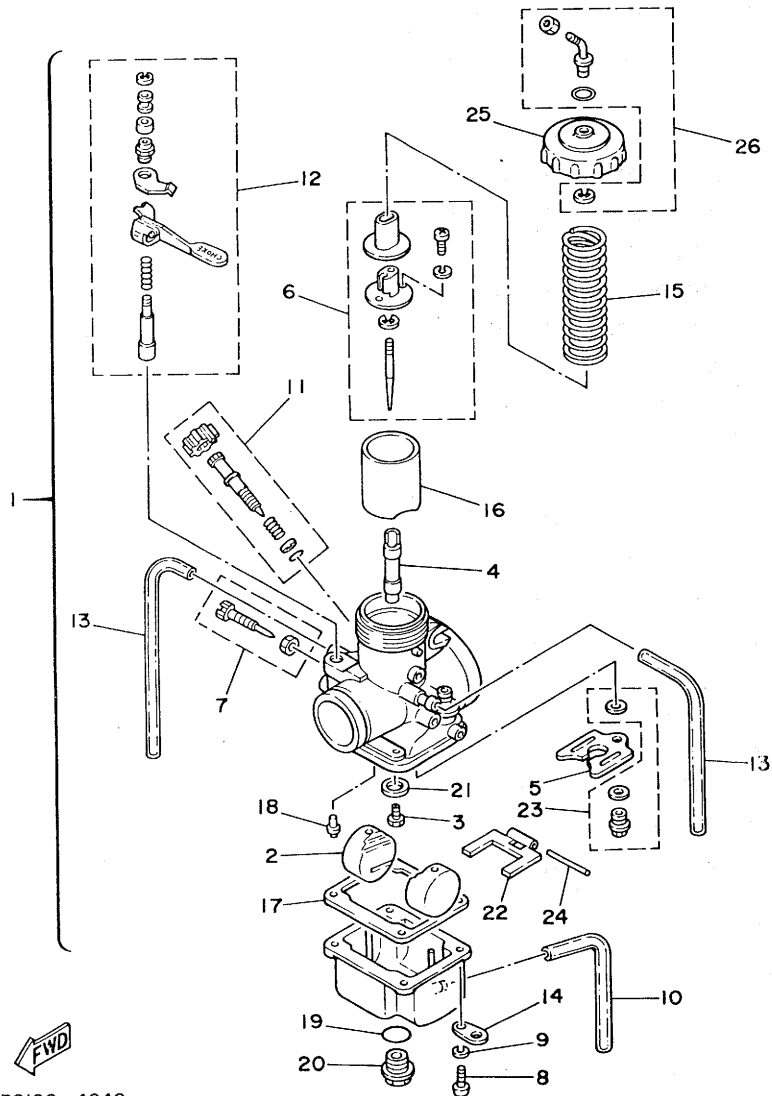
FIG. 3 INTAKE

REF. NO.	PART NO.	DESCRIPTION	Q'TY	REMARKS
29	39K-14457-00	SEAL	1	
30	90504-03033	SPRING, compression	1	
31	43G-14455-00	BAND	1	
32	34K-14484-00	PLATE, cleaner case fitting	2	
33	90267-40073	RIVET, blind	2	
34	92901-04200	WASHER, plain	2	
35	26A-14436-00	HOOK	1	
36	90267-40073	RIVET, blind	2	
37	92901-04200	WASHER, plain	2	
38	43G-14457-00	SEAL	1	
39	43G-13591-00	CHAMBER, air 2	1	
40	98501-05010	SCREW, pan head	1	
41	92901-05600	WASHER, plate	1	
42	43G-14436-00	HOOK	1	
43	90267-40073	RIVET, blind	2	
44	92901-04200	WASHER, plain	2	
45	133-82131-00	BAND, battery	1	
46	90460-36174	CLAMP, hose	1	
47	97301-06012	BOLT	3	
48	92901-06100	WASHER, spring	3	
49	90201-061A5	WASHER, plate	3	
50	43G-14437-00	DUCT	1	
51	43G-14467-00	SEAL	1	
52	43G-14422-00	CAP, cleaner case 2	1	



43G100-4030

FIG. 4 CARBURETOR



REF. NO.	PART NO.	DESCRIPTION	Q'TY	REMARKS
1	43G-14101-00	CARBURETOR ASSY 1	1	
2	310-14185-00	.FLOAT	2	
3	137-14143-66	.JET, main (#330)	1	
4	239-14141-46	.NOZZLE, main	1	
5	483-14146-00	.PLATE	1	
6	24X-1490J-00	.NEEDLE SET	1	
7	24X-14103-00	.THROTTLE SCREW SET	1	
8	98501-05016	.SCREW, pan head	4	
9	92902-05100	.WASHER, spring	4	
10	493-14196-00	.PIPE	1	
11	43G-14104-00	.AIR SCREW SET	1	
12	43G-1410A-00	.STARTER SET	1	
13	310-14197-00	.PIPE	2	
14	313-14146-00	.PLATE	2	
15	363-14131-00	.SPRING, throttle valve	1	
16	5X8-14112-20	.VALVE, throttle 1	1	
17	483-14184-00	.GASKET, float chamber	1	
18	193-14142-55	.JET, pilot (# 55)	1	
19	558-14147-00	.O-RING	1	
20	500-14115-00	.PLUG, screw	1	
21	168-14153-00	.RING	1	
22	310-14187-00	.ARM, float	1	
23	24X-14107-33	.NEEDLE VALVE SET	1	
24	127-14186-00	.PIN, float	1	
25	3R3-14158-00	.TOP, mixing chamber	1	
26	24X-14106-00	.CABLE ADJUST SCREW SET	1	

43G100-4040

B6

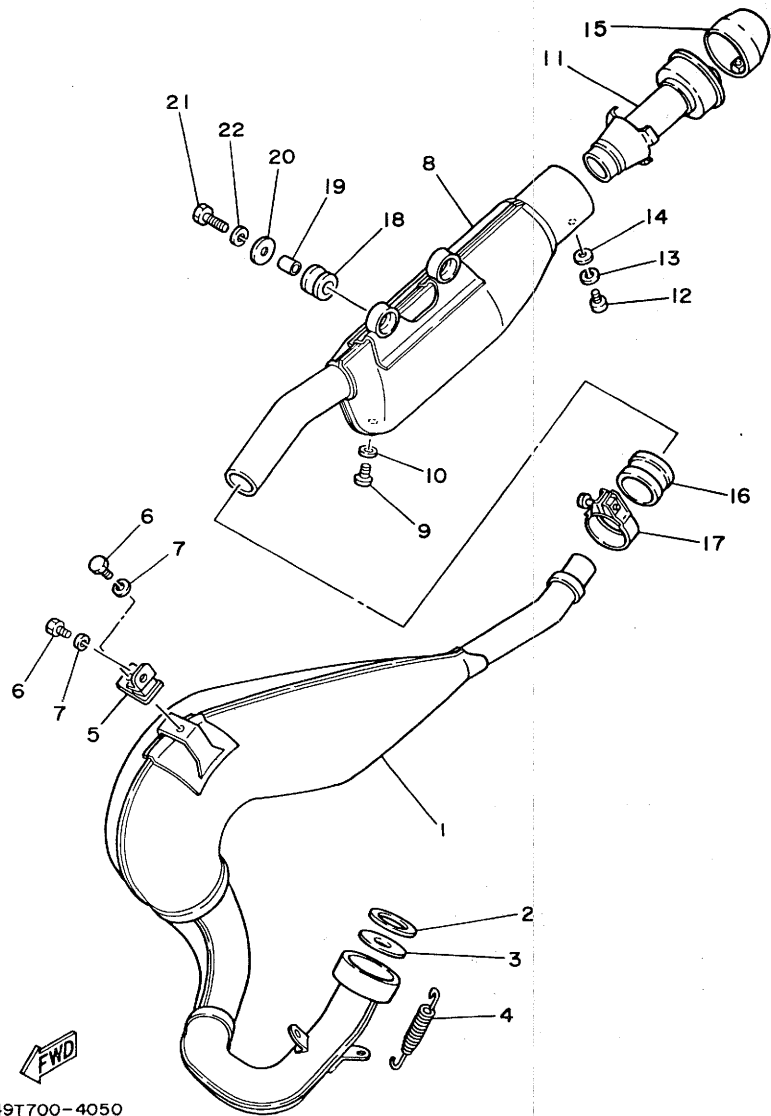


FIG. 5 EXHAUST

REF. NO.	PART NO.	DESCRIPTION	Q'TY	REMARKS
1	43G-14610-00	EXHAUST PIPE ASSY 1	1	
2	3R6-14613-01	GASKET, exhaust pipe	1	
3	4J0-14617-00	WASHER	1	
4	90507-20030	SPRING, tension	3	
5	1M1-14772-00	STAY, muffler 2	1	
6	97321-06012	BOLT	2	
7	92901-06100	WASHER, spring	2	
8	43G-14753-00	SILENCER, exhaust	1	
9	92501-06008	SCREW, pan head	1	
10	90202-06010	WASHER, plate	1	
11	5X8-14752-01	PIPE, outlet	1	
12	92501-06012	SCREW, pan head	1	
13	92901-06100	WASHER, spring	1	
14	90201-061A5	WASHER, plate	1	
15	1W2-14787-00	CAP, silencer	1	
16	1M1-14714-00	GASKET, muffler	1	
17	90460-43053	CLAMP, hose	2	
18	90480-22269	GROMMET	2	
19	90387-081A3	COLLAR	2	
20	90201-08114	WASHER, plate	2	
21	97301-08030	BOLT	2	
22	92901-08100	WASHER, spring	2	

49T700-4050

B7

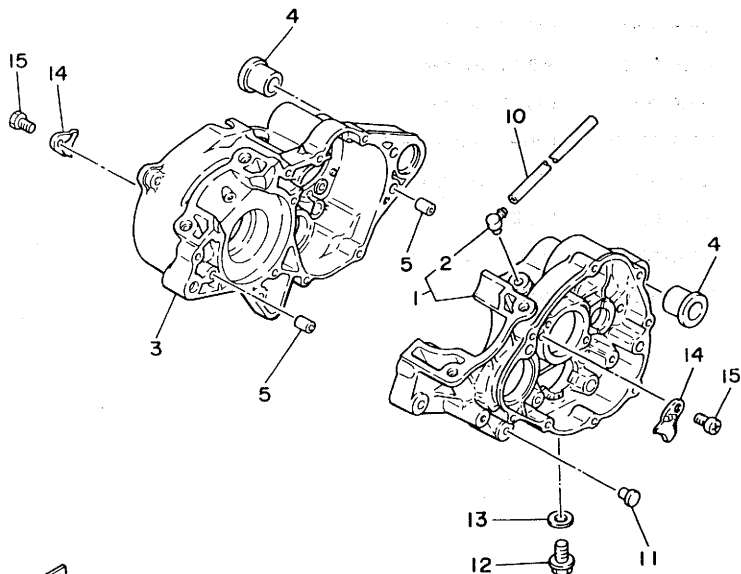
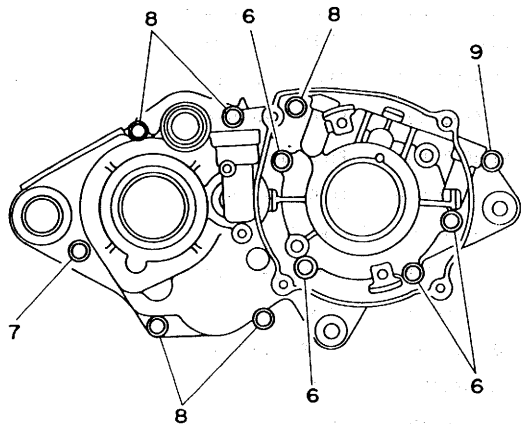


FIG. 6 CRANKCASE

REF. NO.	PART NO.	DESCRIPTION	Q'TY	REMARKS
1	43G-W1511-00	CRANKCASE 1	1	
2	353-13115-01	.CONNECTOR, suction pipe	1	
3	43G-15121-00	CRANKCASE 2	1	
4	90387-16781	COLLAR	2	
5	91830-21014	PIN, dowel	2	
6	91316-06035	BOLT	4	
7	91316-06050	BOLT	1	
8	91316-06030	BOLT	5	
9	91316-06045	BOLT	1	
10	90445-08376	HOSE	1	
11	90338-07011	PLUG	1	
12	90340-12095	PLUG, straight screw	1	
13	90430-12038	GASKET	1	
14	3R3-15128-01	HOLDER	2	
15	92501-08010	SCREW, pan head	2	



43G100-4060



43G100-4070

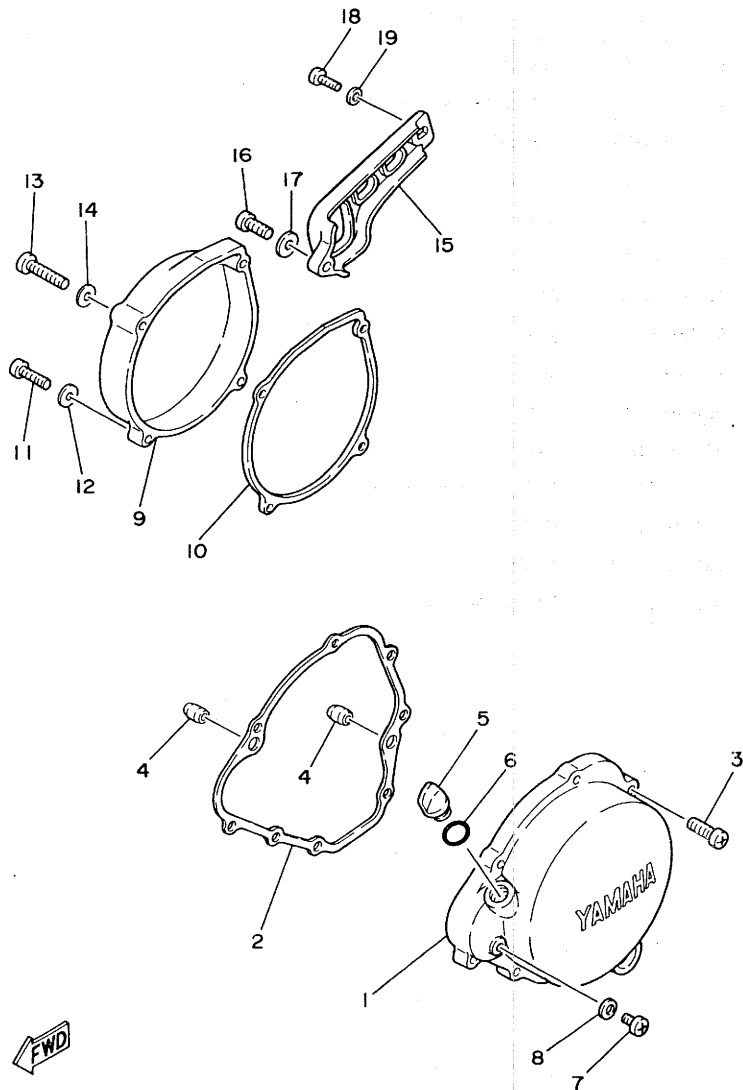
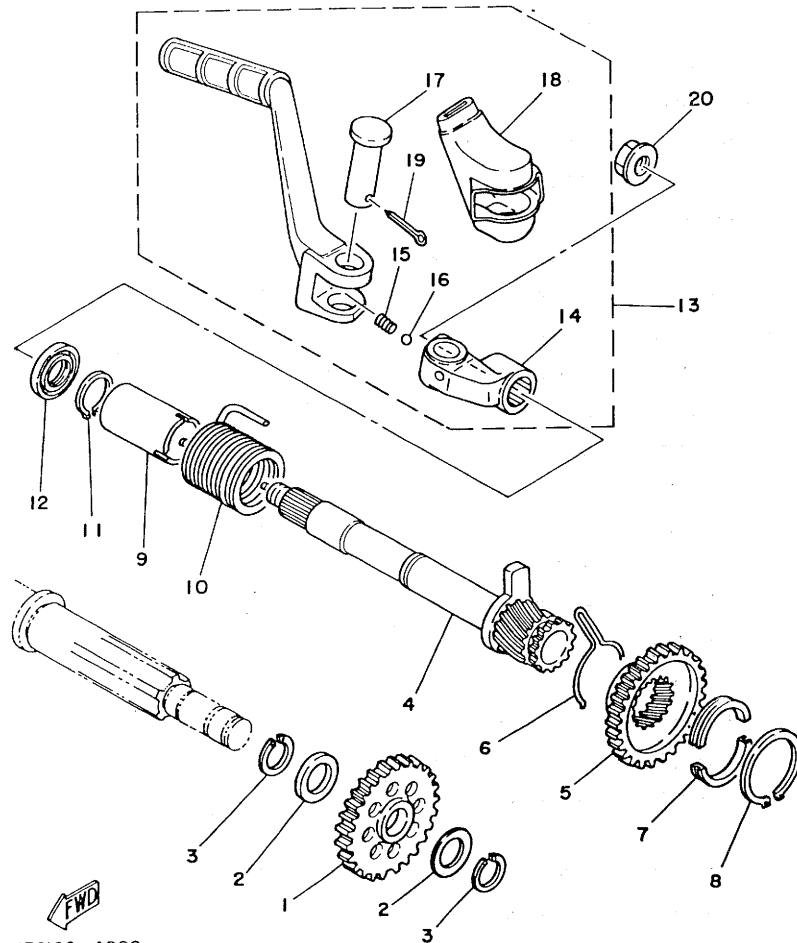


FIG. 7 CRANKCASE COVER 1

REF. NO.	PART NO.	DESCRIPTION	Q'TY	REMARKS
1	3R3-15411-01	COVER, crankcase 1	1	
2	3R3-15451-01	GASKET, crankcase cover 1	1	
3	92506-06025	SCREW, pan head	8	
4	91830-21014	PIN, dowel	2	
5	168-15362-00	PLUG, oil level	1	
6	93210-14104	O-RING	1	
7	92506-06008	SCREW, pan head	1	
8	90430-06016	GASKET	1	
9	43G-15421-00	COVER, crankcase 2	1	
10	43G-15455-00	GASKET 1	1	
11	92506-06025	SCREW, pan head	3	
12	92906-06600	WASHER, plate	3	
13	92506-06035	SCREW, pan head	1	
14	92906-06600	WASHER, plate	1	
15	5X9-15431-00	COVER, crankcase 3	1	
16	92501-06014	SCREW, pan head	1	
17	90201-06067	WASHER, plate	1	
18	92501-06020	SCREW, pan head	1	
19	92901-06200	WASHER, plain	1	

B9

FIG. 8 STARTER



43G100-4080

REF. NO.	PART NO.	DESCRIPTION	Q'TY	REMARKS
1	43G-15651-00	GEAR, kick idle (25T)	1	
2	137-17417-00-05	SHIM (0.5T)	1	
3	93440-15012	CIRCLIP	2	
4	5X4-15660-00	KICK AXLE ASSY	1	
5	3R3-15641-00	GEAR, kick (25T)	1	
6	90468-26048	CLIP	1	
7	248-15654-00	HOLDER, kick gear	2	
8	93410-30012	CIRCLIP	1	
9	3R3-15666-00	SPACER	1	
10	90508-26427	SPRING, torsion	1	
11	93410-17037	CIRCLIP	1	
12	93102-17263	OIL SEAL	1	
13	43G-15620-00	KICK CRANK ASSY	1	
14	5X3-15621-00	.BOSS, kick crank	1	
15	90501-12081	.SPRING, compression	1	
16	93507-32009	.BALL	1	
17	91702-12040	.PIN, clevis	1	
18	3R3-15618-01	.COVER, kick lever	1	
19	91401-40020	.PIN, cotter	1	
20	95702-10500	NUT, flange	1	

B10

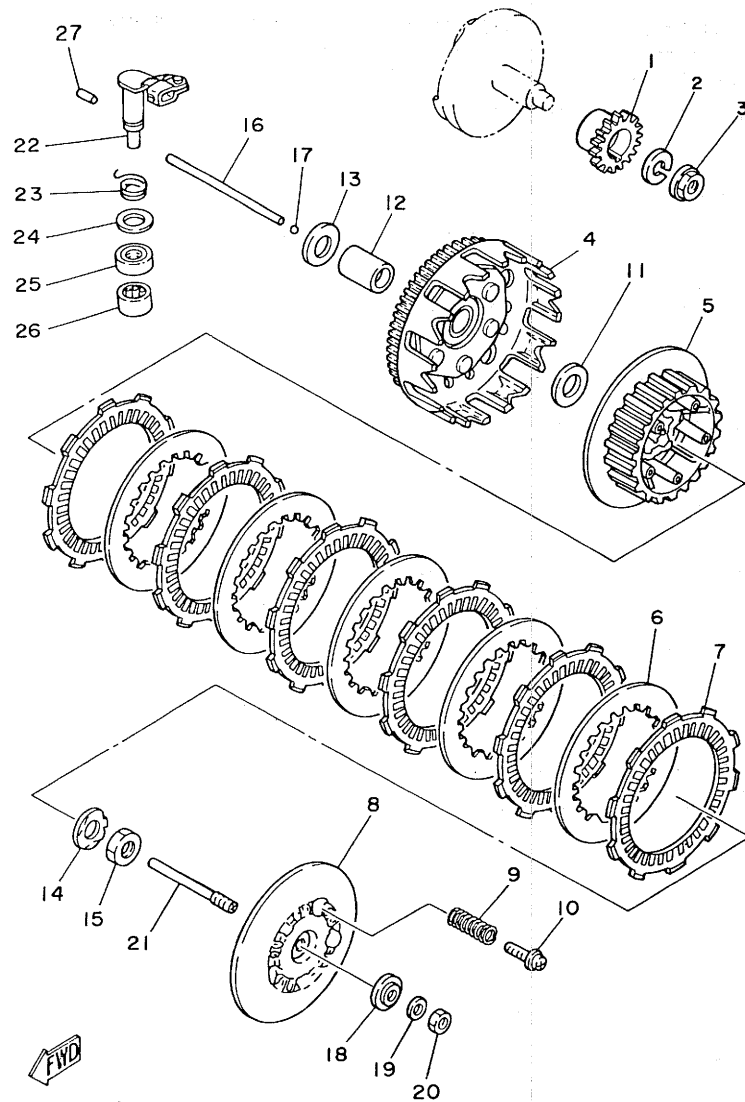
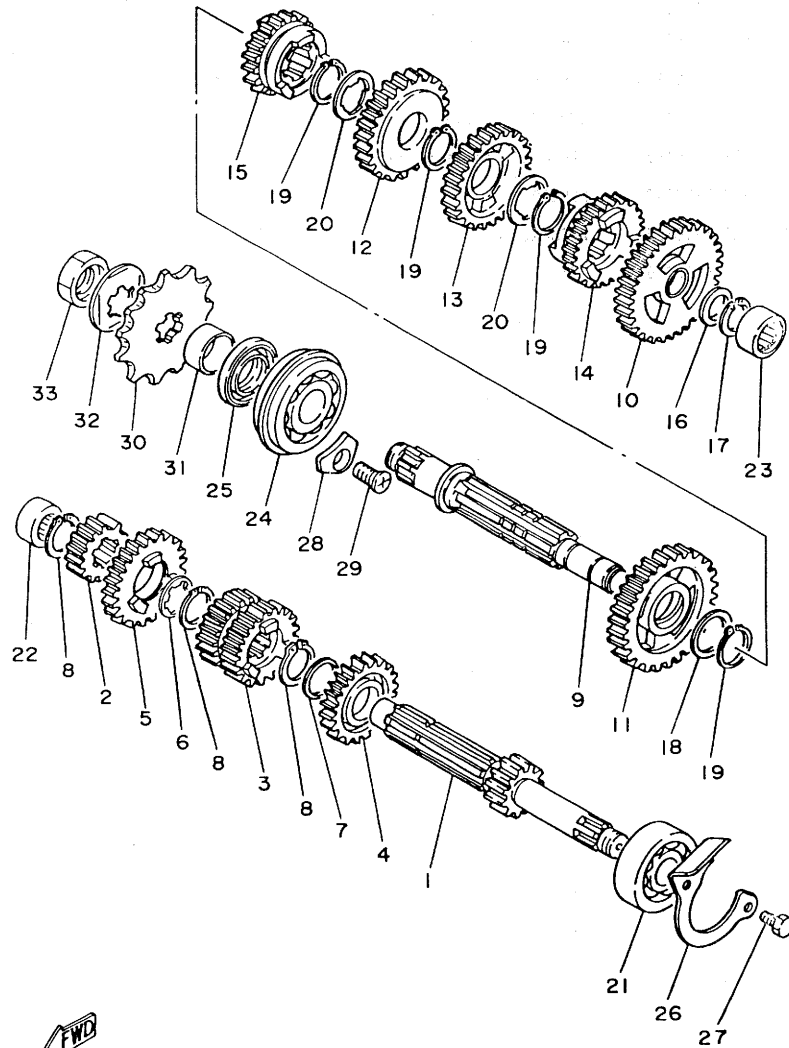


FIG. 9 CLUTCH

REF. NO.	PART NO.	DESCRIPTION	Q'TY	REMARKS
1	43G-16111-00	GEAR, primary drive (20T)	1	
2	90204-12007	WASHER, spring	1	
3	90179-12302	NUT	1	
4	43G-16150-00	PRIMARY DRIVEN GEAR COMP.	1	
5	43G-16371-00	BOSS, clutch	1	
6	137-16325-70	PLATE, clutch 2	5	
7	537-16321-00	PLATE, friction	6	
8	1W1-16351-00	PLATE, pressure 1	1	
9	90501-20124	SPRING, compression	5	
10	90159-05011	SCREW, with washer	5	
11	90201-174E1	WASHER, plate	1	
12	90560-17232	SPACER	1	
13	90201-174E1	WASHER, plate	1	
14	90215-14204	WASHER, lock	1	
15	90170-14171	NUT	1	
16	353-16357-00	ROD, push 2	1	
17	93503-16010	BALL	1	
18	1W1-16358-00	PLATE, push	1	
19	92901-06200	WASHER, plain	1	
20	95301-06600	NUT	1	
21	1W1-16356-01	ROD, push 1	1	
22	3R3-16380-02	PUSH LEVER ASSY	1	
23	90508-14426	SPRING, torsion	1	
24	90201-14217	WASHER, plate	1	
25	93102-14308	OIL SEAL	1	
26	93315-21429	BEARING, cylindrical	1	
27	93604-16092	PIN, dowel	1	

43G100-4090

FIG. 10 TRANSMISSION



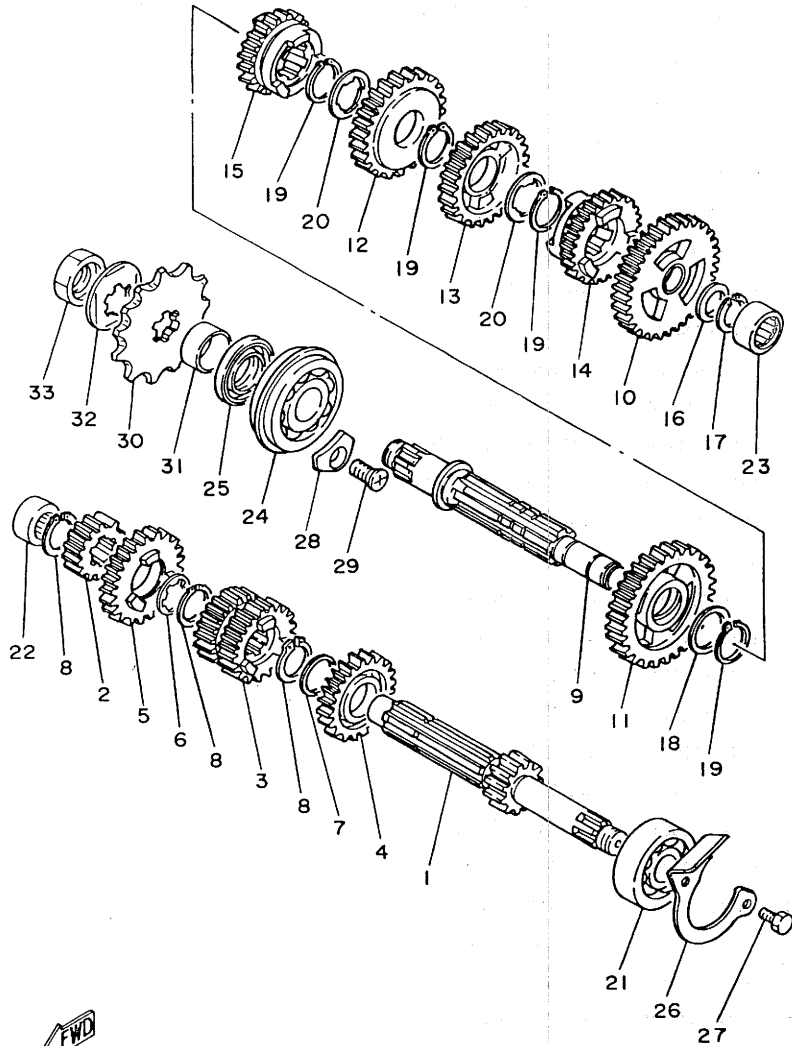
REF. NO.	PART NO.	DESCRIPTION	Q'TY	REMARKS
1	43G-17411-00	AXLE, main (12T)	1	
2	43G-17121-00	GEAR, 2nd pinion (14T)	1	
3	43G-17131-00	GEAR, 3rd pinion (16T/20T)	1	
4	43G-17151-00	GEAR, 5th pinion (25T)	1	
5	43G-17161-00	GEAR, 6th pinion (24T)	1	
6	90209-16255	WASHER	1	
7	90201-20266	WASHER, plate	1	
8	93410-20038	CIRCLIP	3	
9	43G-17421-00	AXLE, drive	1	
10	43G-17211-00	GEAR, 1st wheel (33T)	1	
11	43G-17221-00	GEAR, 2nd wheel (26T)	1	
12	43G-17231-00	GEAR, 3rd wheel (24T)	1	
13	43G-17241-00	GEAR, 4th wheel (25T)	1	
14	43G-17251-00	GEAR, 5th wheel (27T)	1	
15	43G-17261-00	GEAR, 6th wheel (21T)	1	
16	90201-15701	WASHER, plate (1.0T)	1	
17	93440-15012	CIRCLIP	1	
18	90201-22555	WASHER, plate	1	
19	93410-22039	CIRCLIP	4	
20	90209-18135	WASHER	2	
21	93306-30303	BEARING (B6303Z)	1	
22	93311-41530	BEARING, cylindrical	1	
23	93311-31515	BEARING, cylindrical	1	
24	93306-30411	BEARING (B6304)	1	
25	93102-26042	OIL SEAL	1	
26	3R3-17471-00	PLATE, cover	1	
27	97321-06012	BOLT	2	
28	2K7-15383-00	PLATE, bearing cover	1	


43G100-4100

B12

FIG. 10 TRANSMISSION

REF. NO.	PART NO.	DESCRIPTION	Q'TY	REMARKS
29	92701-06012	SCREW, flat head	1	
30	1G8-17461-20	SPROCKET, drive (12T)	1	UR
	1G8-17461-10	SPROCKET, drive (11T)	1	AP
	1G8-17461-30	SPROCKET, drive (13T)	1	AP
31	90387-202A0	COLLAR	1	
32	90215-16127	WASHER, lock	1	
33	90179-16226	NUT	1	



FWD
43G100-4100

B13

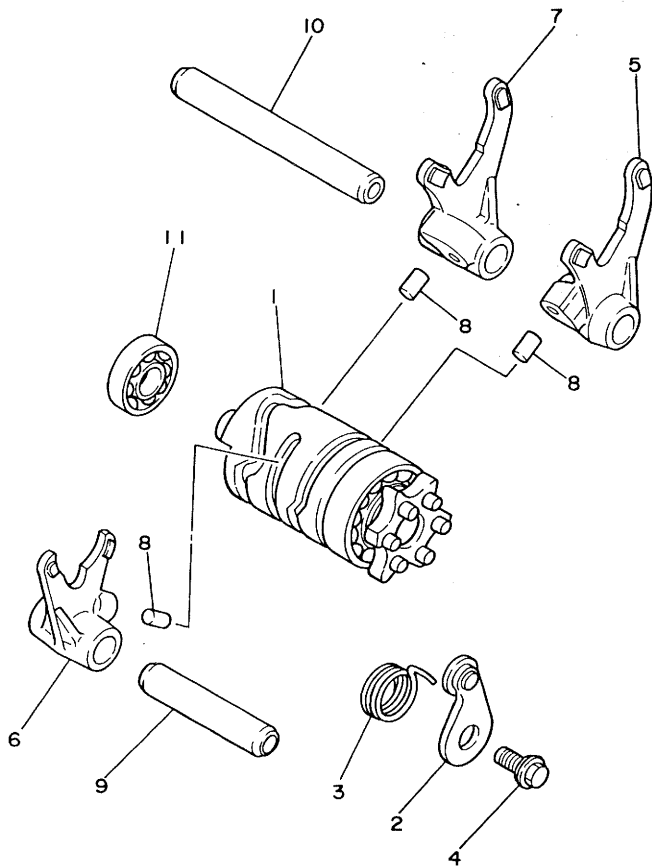


FIG. 11 SHIFT CAM. FORK

REF. NO.	PART NO.	DESCRIPTION	Q'TY	REMARKS
1	24X-18540-00	SHIFT CAM ASSY	1	
2	3R3-18140-00	STOPPER LEVER ASSY	1	
3	90508-26435	SPRING, torsion	1	
4	1W1-18177-00	BOLT, stopper	1	
5	43G-18511-00	FORK, shift 1	1	
6	43G-18512-00	FORK, shift 2	1	
7	43G-18513-00	FORK, shift 3	1	
8	90250-06013	PIN, straight	3	
9	5X5-18531-01	BAR, shift fork guide 1	1	
10	5X5-18535-01	BAR, shift fork guide 2	1	
11	93306-00106	BEARING	1	



24X100-3150

B14

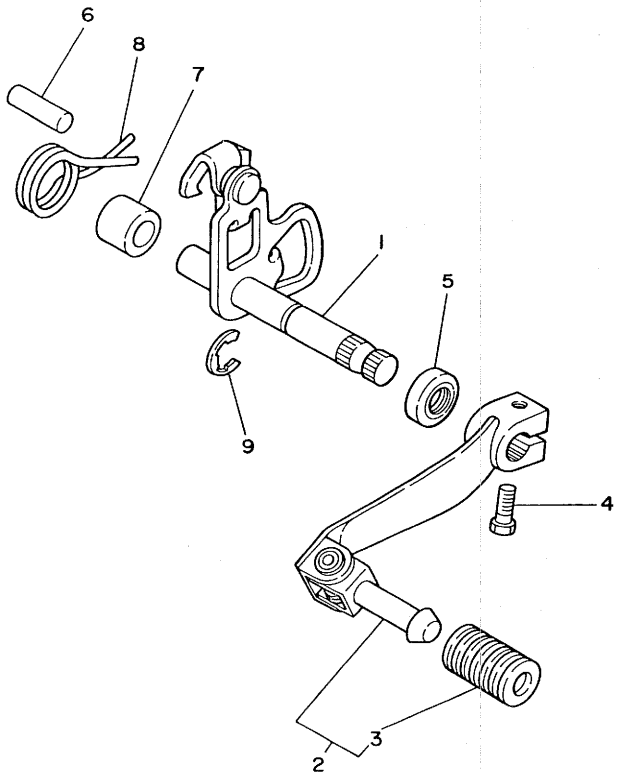


FIG. 12 SHIFT SHAFT

REF. NO.	PART NO.	DESCRIPTION	Q'TY	REMARKS
1	24X-18101-00	SHIFT SHAFT ASSY	1	
2	5X4-18110-01	SHIFT PEDAL ASSY	1	
3	1W6-18113-00	.COVER, shift pedal	1	
4	97321-06020	BOLT	1	
5	93101-12060	OIL SEAL	1	
6	93608-25150	PIN, dowel	1	
7	90560-11189	SPACER	1	
8	90508-29361	SPRING, torsion	1	
9	93430-10016	CIRCLIP	1	



5X3100-3130

B15

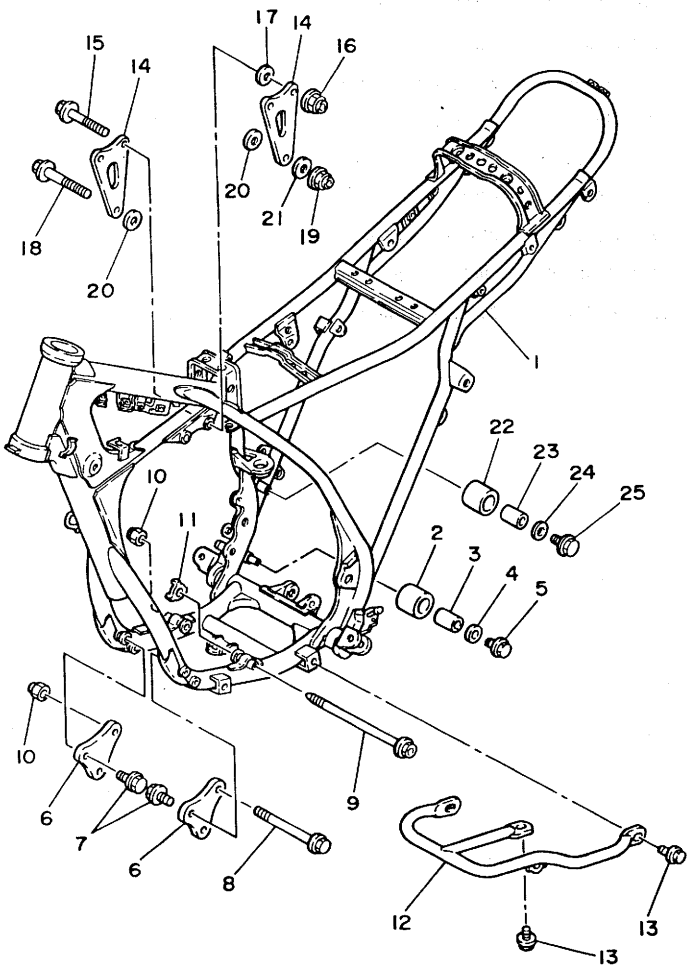


FIG. 13 FRAME

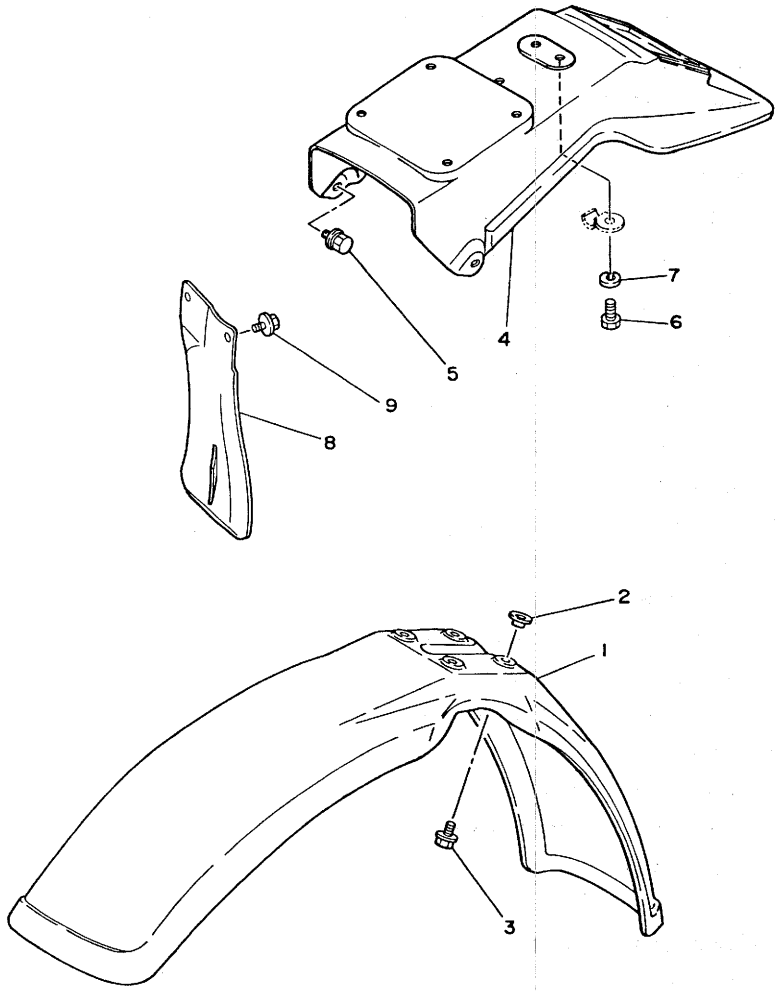
REF. NO.	PART NO.	DESCRIPTION	Q'TY	REMARKS
1	49T-21110-00-33	FRAME COMP.	1	yamaha black
2	22W-22178-01	TENSIONER	1	
3	4V4-22184-00	BUSH	1	
4	90201-08113	WASHER, plate	1	
5	95802-08012	BOLT, flange	1	
6	24X-21419-01	BRACKET, engine 2	2	
7	95821-08016	BOLT, flange	4	
8	95811-08095	BOLT, flange	1	
9	90105-08326	BOLT, washer based	1	
10	90185-08113	NUT, self-locking	2	
11	90214-09019	WASHER, claw	1	
12	43G-2147A-00	GUARD, engine 1	1	
13	95801-08012	BOLT, flange	4	
14	43G-21425-00	BRACKET, rear upper 1	2	
15	95811-08045	BOLT, flange	2	
16	90185-08113	NUT, self-locking	2	
17	90202-08022	WASHER, plate	2	
18	95811-10050	BOLT, flange	1	
19	90179-10280	NUT	1	
20	90201-10141	WASHER, plate	2	
21	92901-10200	WASHER, plain	1	
22	22W-22178-01	TENSIONER	1	
23	4V4-22184-00	BUSH	1	
24	90201-08113	WASHER, plate	1	
25	95802-08012	BOLT, flange	1	



49T700-4130

FIG. 14 FENDER

REF. NO.	PART NO.	DESCRIPTION	Q'TY	REMARKS
1	3R9-21511-10	FENDER, front	1	sky blue
2	90387-06681	COLLAR	4	
3	90119-06063	BOLT, with washer	4	
4	49T-21611-00	FENDER, rear	1	
5	90119-06056	BOLT, with washer	3	
6	97301-06016	BOLT	1	
7	92901-06100	WASHER, spring	1	
8	43G-21642-00	GUARD, flap	1	
9	90119-06042	BOLT, with washer	2	



49T700-4140

C3

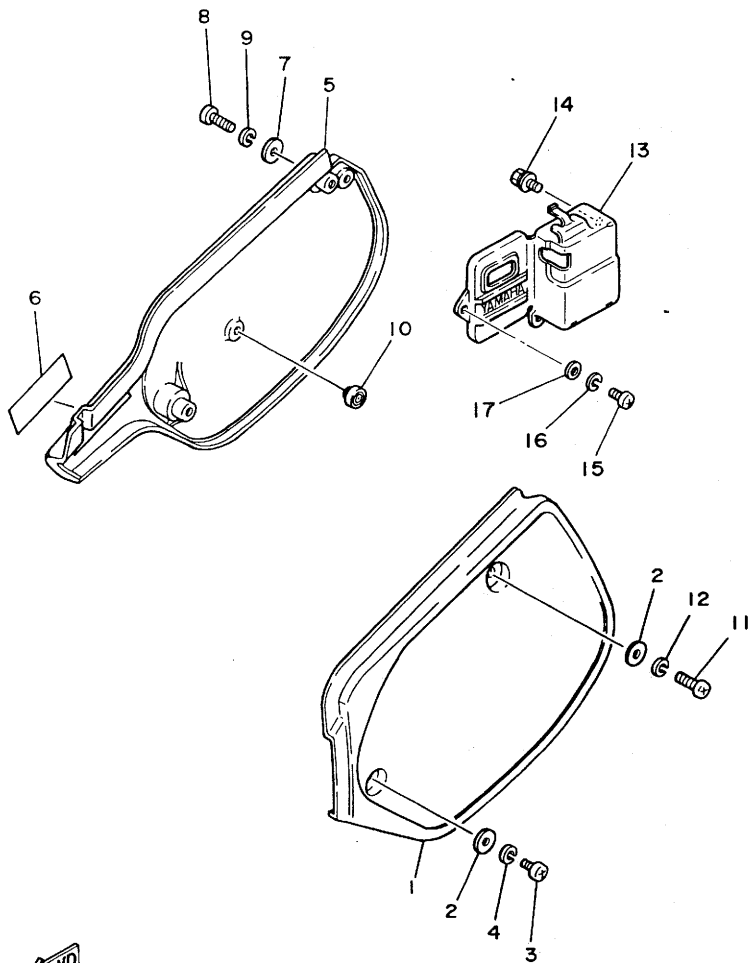


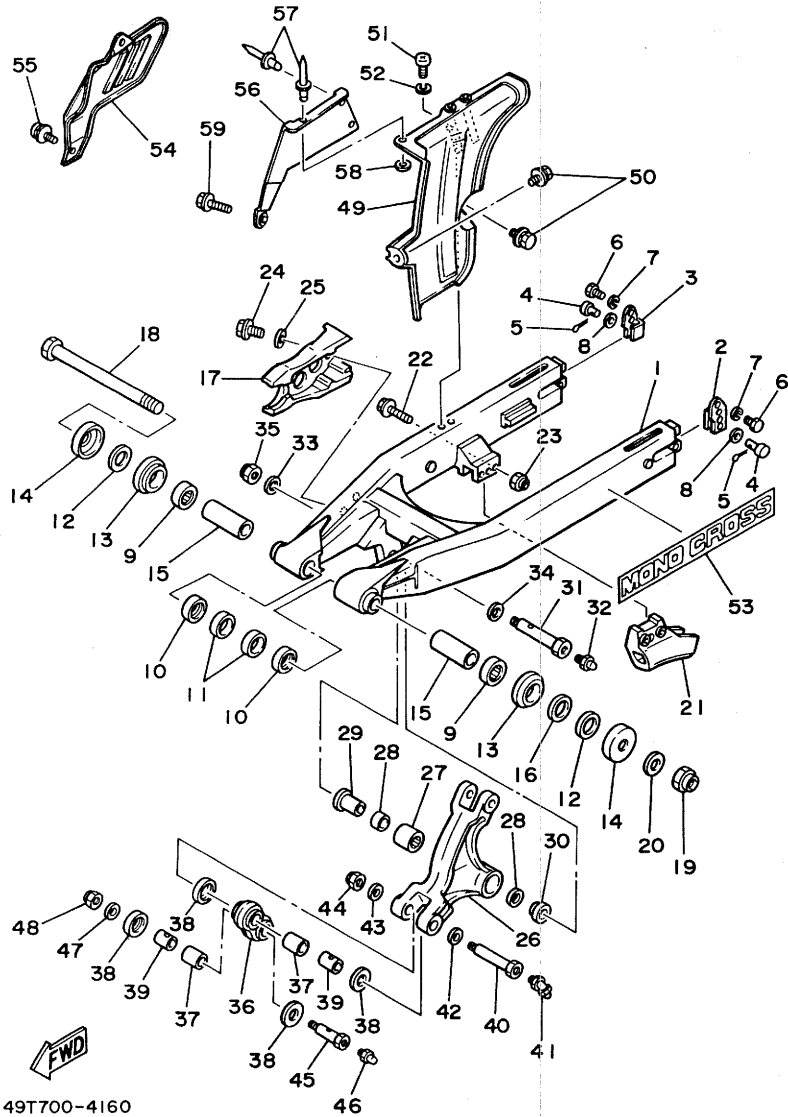
FIG. 15 SIDE COVER

REF. NO.	PART NO.	DESCRIPTION	Q'TY	REMARKS
1	43G-21711-00-26	COVER, side 1	1	competition yellow
2	90201-06571	WASHER, plate	2	
3	92501-06020	SCREW, pan head	1	
4	92901-06100	WASHER, spring	1	
5	43G-21721-00-26	COVER, side 2	1	competition yellow
6	43G-21781-00	EMBLEM 1	1	
7	90201-06571	WASHER, plate	2	
8	92501-06025	SCREW, pan head	2	
9	92901-06100	WASHER, spring	2	
10	22W-24181-00	DAMPER, locating 1	3	
11	92501-06025	SCREW, pan head	1	
12	92901-06100	WASHER, spring	1	
13	29W-21170-00	BOX COMP.	1	
14	90119-06095	BOLT, with washer	2	
15	92506-06016	SCREW, pan head	1	
16	92906-06100	WASHER, spring	1	
17	92906-06600	WASHER, plate	1	


 49T700-4150

FIG. 16 REAR ARM

REF. NO.	PART NO.	DESCRIPTION	Q'TY	REMARKS
1	43G-22110-00	REAR ARM COMP.	1	
2	43G-2539F-00	PLATE 1	1	
3	43G-2539G-00	PLATE 2	1	
4	91701-05020	PIN, clevis	2	
5	91401-16015	PIN, cotter	2	
6	97301-06016	BOLT	2	
7	92901-06100	WASHER, spring	2	
8	92901-05600	WASHER, plate	2	
9	93317-32231	BEARING, cylindrical	2	
10	90380-22111	BUSH, solid	2	
11	93106-22019	OIL SEAL	2	
12	90201-22680	WASHER, plate	2	
13	93108-35004	OIL SEAL	2	
14	2K6-22128-01	COVER, thrust 1	2	
15	90380-16077	BUSH, solid	2	
16	156-22127-00	SHIM (0.3T)	1 UN	
17	39W-22151-00	SEAL, guard	1	
18	5X4-22141-01	SHAFT, pivot	1	
19	90185-16127	NUT, self-locking	1	
20	90201-160F6	WASHER, plate	1	
21	39W-22199-00	SUPPORT, chain	1	
22	95802-08045	BOLT, flange	2	
23	90185-08106	NUT, self-locking	2	
24	95801-06020	BOLT, flange	1	
25	90201-06067	WASHER, plate	2	
26	43G-2217A-00	ARM, relay	1	
27	93317-32034	BEARING, cylindrical	1	
28	93109-20029	OIL SEAL	2	



49T700-4160

C5

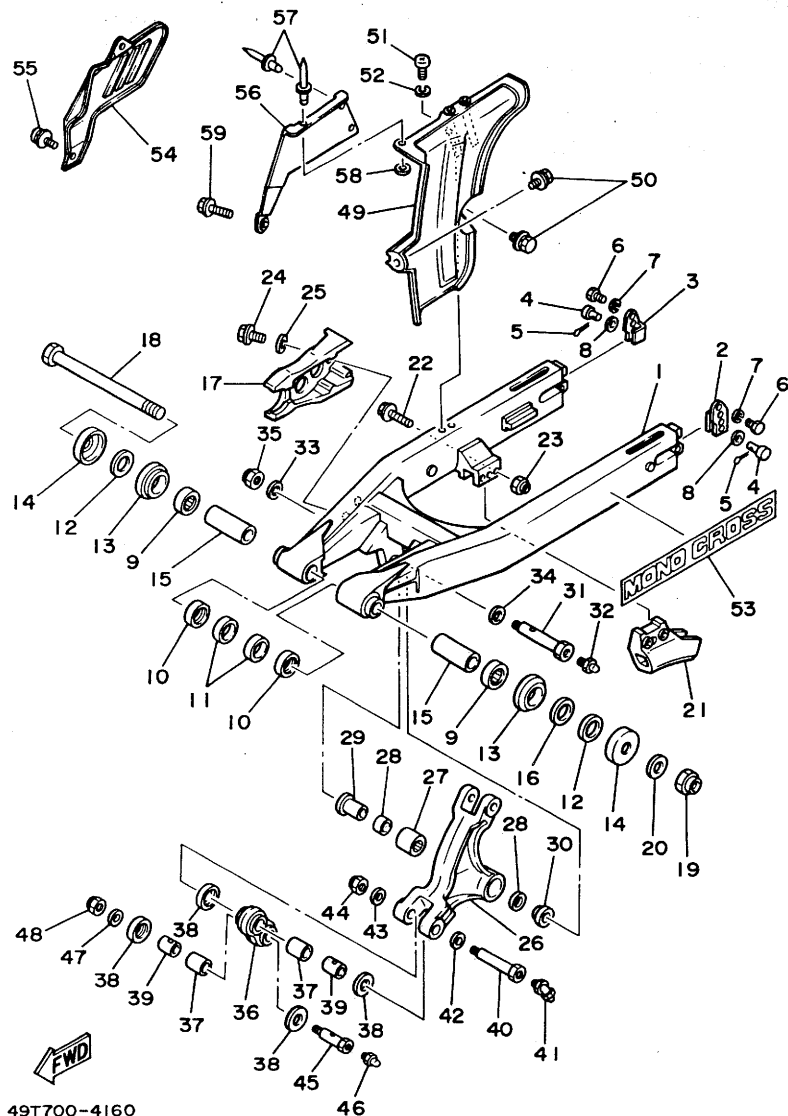


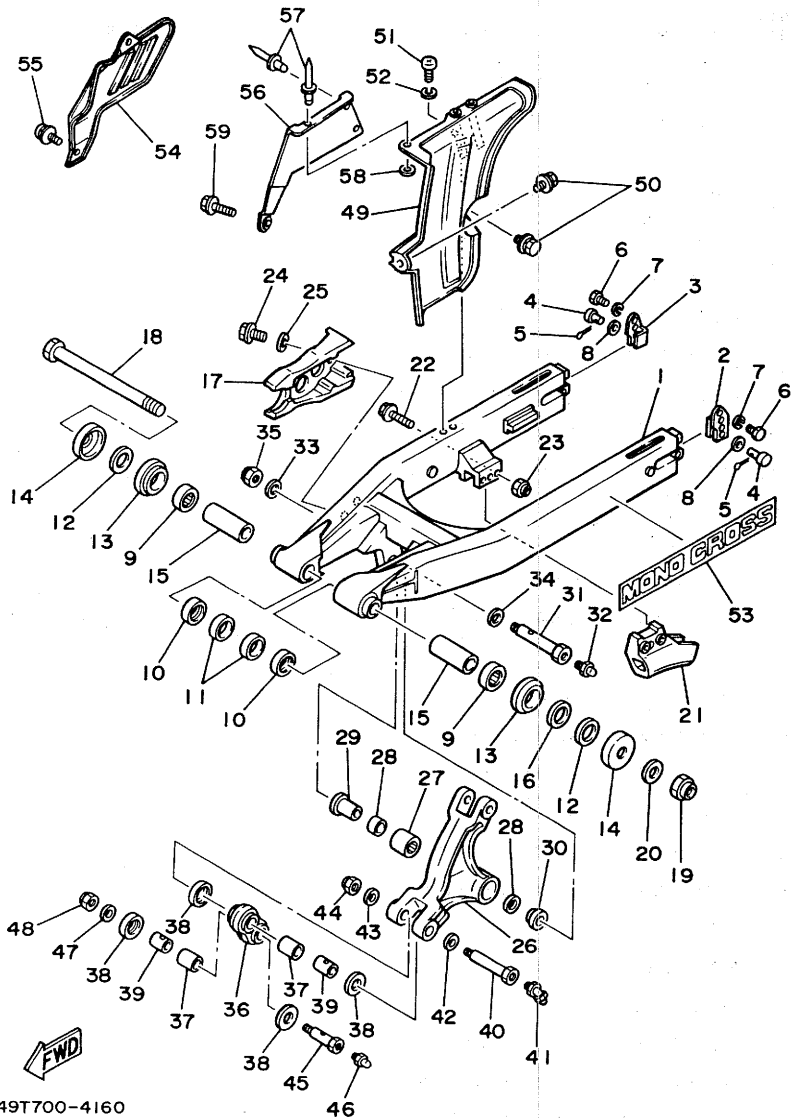
FIG. 16 REAR ARM

REF. NO.	PART NO.	DESCRIPTION	Q'TY	REMARKS
29	90387-14766	COLLAR	1	
30	90387-14767	COLLAR	1	
31	90109-12701	BOLT	1	
32	93700-06004	NIPPLE, grease	1	
33	90201-120A5	WASHER, plate	1	
34	90201-14222	WASHER, plate	1	
35	90185-12119	NUT, self-locking	1	
36	23X-2217F-00	ROD, connecting 1	1	
37	93315-31732	BEARING, cylindrical	2	
38	23X-22129-00	COVER, thrust 2	4	
39	90387-121H1	COLLAR	2	
40	90109-10702	BOLT	1	
41	93700-06005	NIPPLE, grease	1	
42	90201-120E6	WASHER, plate	1	
43	90201-100E9	WASHER, plate	1	
44	90185-10120	NUT, self-locking	1	
45	90109-10703	BOLT	1	
46	93700-06005	NIPPLE, grease	1	
47	90201-10430	WASHER, plate	1	
48	95611-10100	NUT, u	1	
49	5X8-W2231-01	CHAIN CASE COMP.	1	
50	90159-06016	SCREW, with washer	2	
51	92501-06012	SCREW, pan head	2	
52	92901-06100	WASHER, spring	2	
53	5X8-2218A-00	EMBLEM, rear arm	2	
54	5X9-22318-00	GUARD, chain	1	
55	90159-06042	SCREW, with washer	2	
56	5X9-22312-00	CASE, chain 2	1	

C6

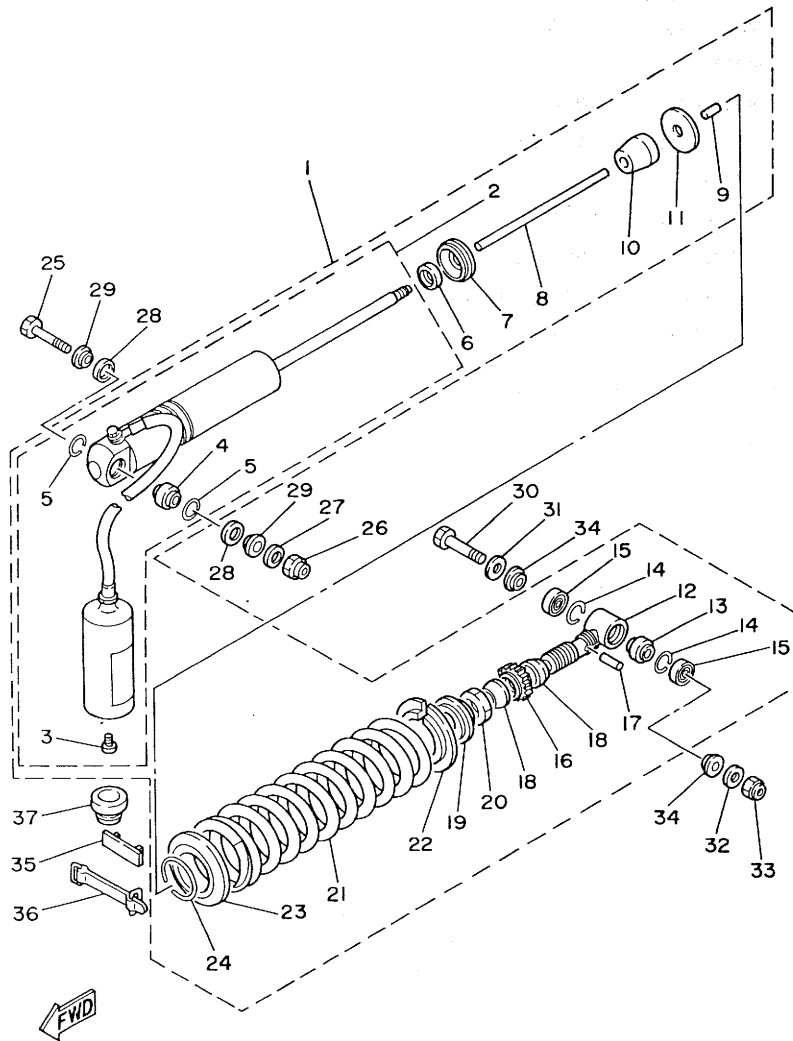
FIG. 16 REAR ARM

REF. NO.	PART NO.	DESCRIPTION	Q'TY	REMARKS
57	90267-40075	RIVET, blind	3	
58	90201-04M06	WASHER, plate	1	
59	95801-06020	BOLT, flange	1	



49T700-4160

C7



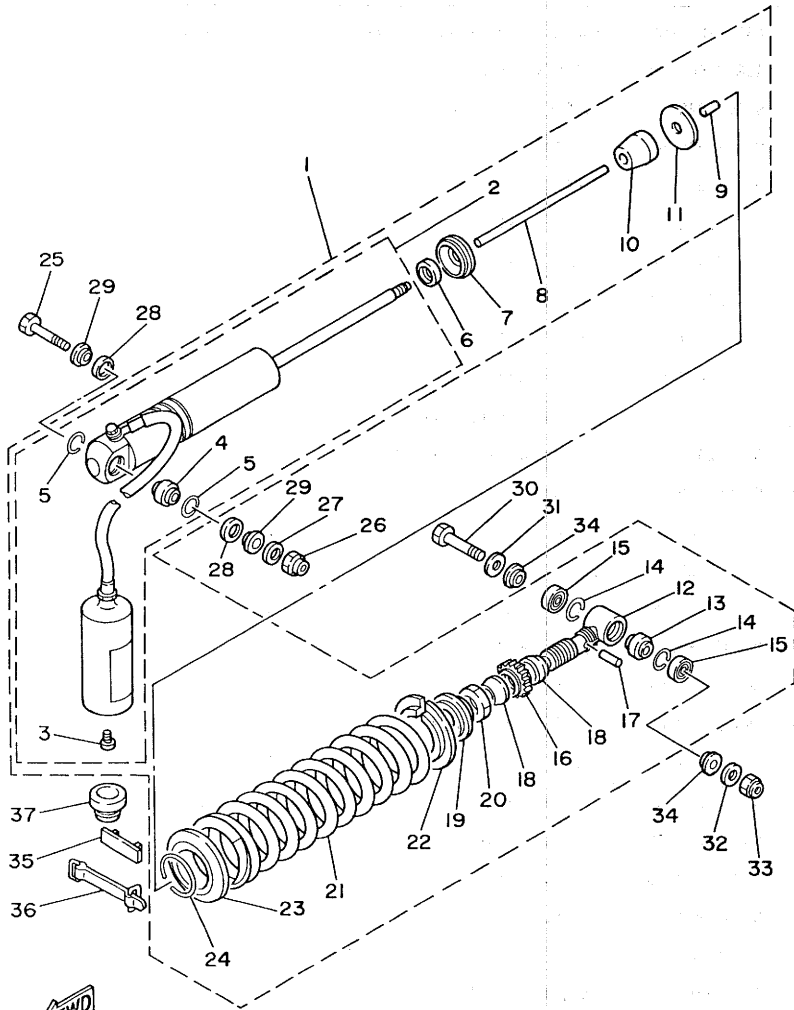
43G100-4170

FIG. 17 REAR SUSPENSION

REF. NO.	PART NO.	DESCRIPTION	Q'TY	REMARKS
1	43G-22210-00-26	SHOCK ABSORBER ASSY, rear	1	competition yellow
2	43G-22401-00	.DAMPER SUB ASSY	1	
3	98501-04005	..SCREW, pan head	1	
4	93399-99916	..BEARING	1	
5	93440-30113	..CIRCLIP	2	
6	29L-22475-00	.SEAL, dust	1	
7	39K-22472-00	.CAP, case	1	
8	39W-22489-00	.ROD, push	1	
9	93604-21193	.PIN, dowel	1	
10	39W-22493-00	.BUMP, stop	1	
11	5X2-22228-00	.SUPPORT, bump stop	1	
12	39W-22409-00	.UPPER BRACKET SUB ASSY	1	
13	93399-99916	.BEARING	1	
14	93440-30113	.CIRCLIP	2	
15	93104-18077	.OIL SEAL	2	
16	5X3-22497-00	.NUT, adjusting	1	
17	93604-26132	.PIN, dowel	1	
18	3R4-22221-01	.COVER	2	
19	3R4-22213-00	.SEAT, spring upper	1	
20	90170-20213	.NUT	1	
21	43G-22212-00-26	.SPRING (K=5.5)	1	competition yellow
22	5X2-22214-00	.GUIDE, spring l	2	
23	38V-22223-00	.SEAT, spring lower	1	
24	93440-45135	.CIRCLIP	1	
25	90109-10704	BOLT	1	
26	90185-10120	NUT, self-locking	1	
27	90201-10430	WASHER, plate	1	
28	23X-22211-00	COVER	2	

FIG. 17 REAR SUSPENSION

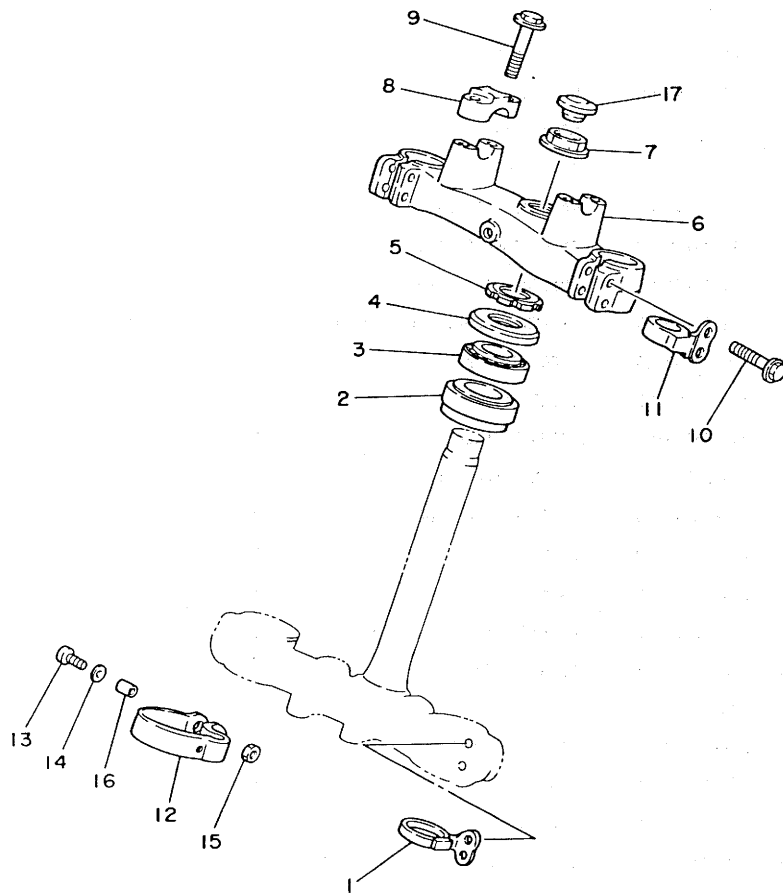
REF. NO.	PART NO.	DESCRIPTION	Q'TY	REMARKS
29	90387-12768	COLLAR	2	
30	90109-10700	BOLT	1	
31	90201-120E6	WASHER, plate	1	
32	90201-100E9	WASHER, plate	1	
33	90185-10120	NUT, self-locking	1	
34	90387-126H8	COLLAR	2	
35	24X-22261-00	DAMPER, sub tank	1	
36	24X-22262-00	HOLDER, sub tank	1	
37	90480-22263	GROMMET	1	



43G100-4170

C9

FIG. 18 STEERING

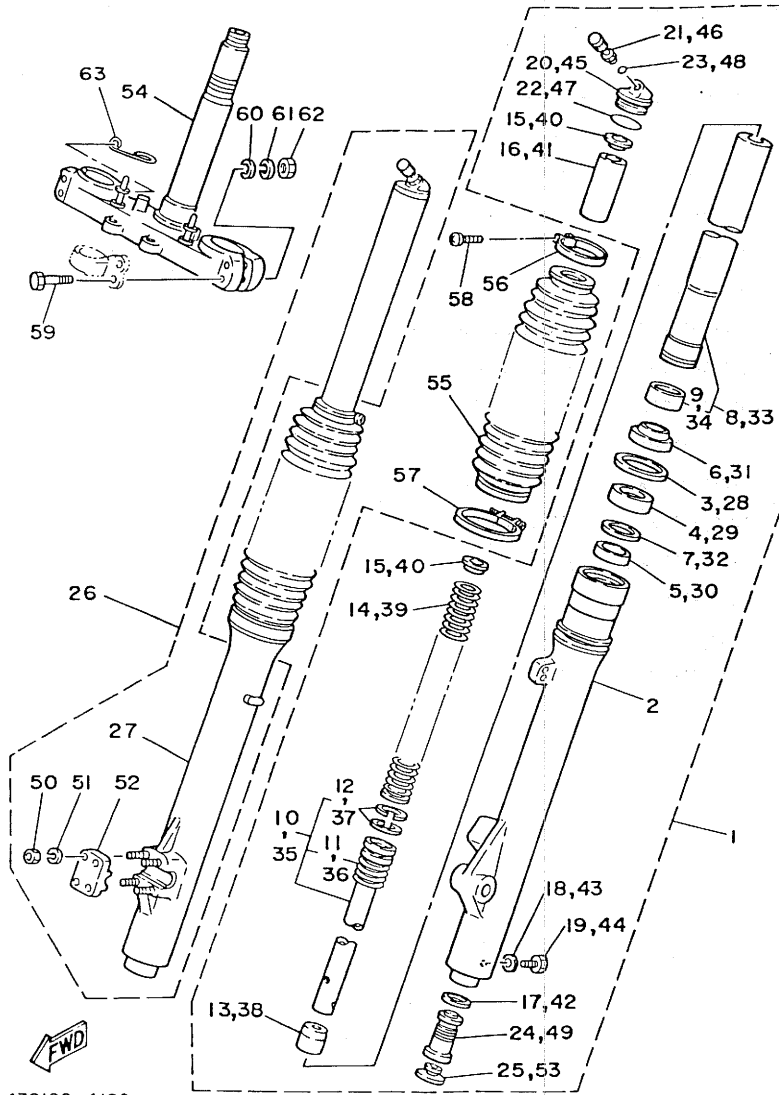


REF. NO.	PART NO.	DESCRIPTION	Q'TY	REMARKS
1	3R4-23389-00	GUIDE, cable	1	
2	93332-00008	BEARING	1	
3	93332-00023	BEARING	1	
4	1W1-23416-00	COVER, ball race 2	1	
5	90179-25033	NUT	1	
6	39W-23435-00-98	CROWN, handle	1	low gloss black
7	90179-22330	NUT	1	
8	1E6-23441-00	HOLDER, handle upper	2	
9	95821-08035	BOLT, flange	4	
10	95821-08040	BOLT, flange	4	
11	3R4-23317-00	HOLDER, cable	1	
12	26A-23318-00	HOLDER, cable 1	1	
13	98501-05030	SCREW, pan-head	1	
14	92901-05600	WASHER, plate	1	
15	95301-05600	NUT	1	
16	90387-061G2	COLLAR	1	
17	34K-2319U-00	CAP	1	


43G100-4180

FIG. 19 FRONT FORK

REF. NO.	PART NO.	DESCRIPTION	Q'TY	REMARKS
1	43G-23102-L0	FRONT FORK ASSY (L.H)	1	
2	43G-23126-L0	.TUBE, outer 1	1	
3	4V4-23153-L0	.RING, snap	1	
4	23X-23145-L0	.OIL SEAL	1	
5	4V4-23125-L0	.METAL, slide 1	1	
6	23X-23144-L0	.SEAL, dust	1	
7	4V4-23146-L0	.WASHER, oil seal	1	
8	43M-23110-L0	.INNER TUBE COMP.1	1	
9	4V4-23171-L0	..PISTON, front fork	1	
10	43G-23170-L0	.CYLINDER COMP., front fork	1	
11	5X6-23152-L0	..SPRING, sub	1	
12	4V4-23157-L0	..RING, piston	2	
13	23X-23173-L0	.SPINDLE, taper	1	
14	43G-23141-L0	.SPRING, front fork (K=0.3)	1	
15	4V4-23142-L0	.SEAT, spring upper	2	
16	43G-23118-L0	.SPACER	1	
17	23X-23158-L0	.GASKET	1	
18	122-23129-00	.GASKET, drain plug	1	
19	122-23119-01	.PLUG, drain	1	
20	43M-23111-L0	.BOLT, cap	1	
21	23X-23190-L0	.AIR VALVE COMP.	1	
22	4V4-23188-L0	.O-RING	1	
23	3J2-23147-00	.O-RING	1	
24	43G-2316A-L0	.VALVE COMP.	1	
25	43M-23126-L0	.PLUG	1	
26	43G-23103-L0	FRONT FORK ASSY (R.H)	1	
27	43G-23136-L0	.TUBE, outer 2	1	
28	4V4-23153-L0	.RING, snap	1	



43G100-4190

C11

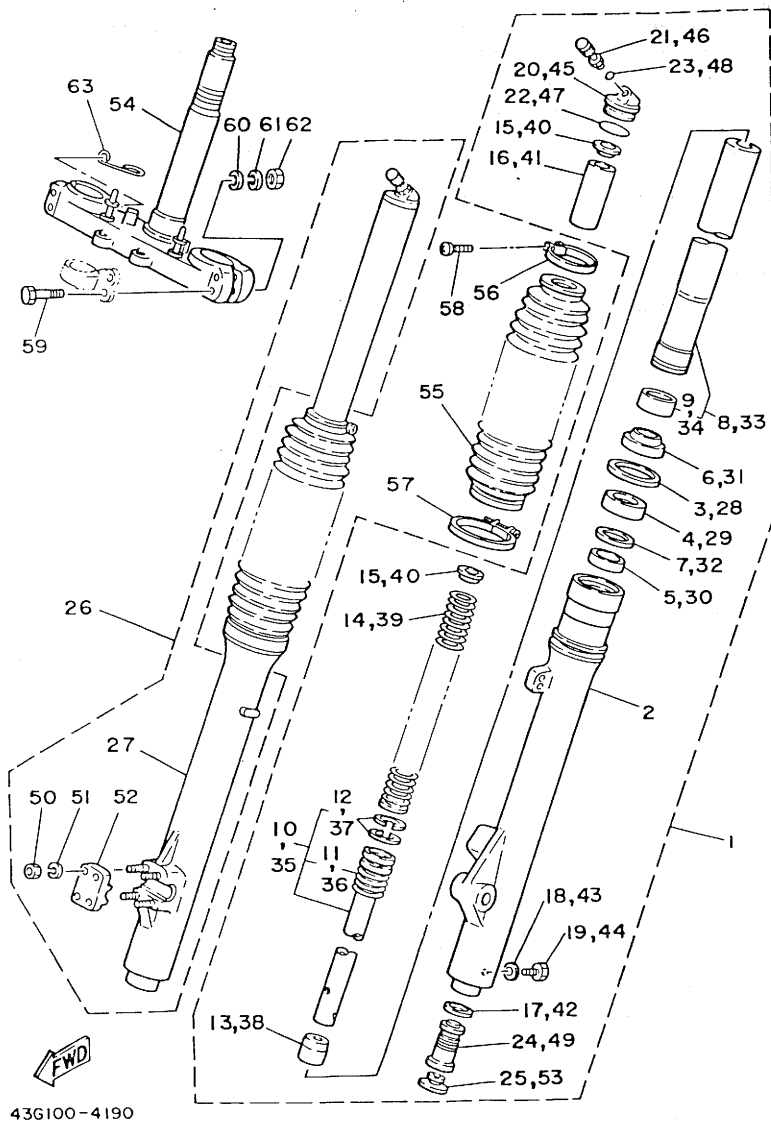
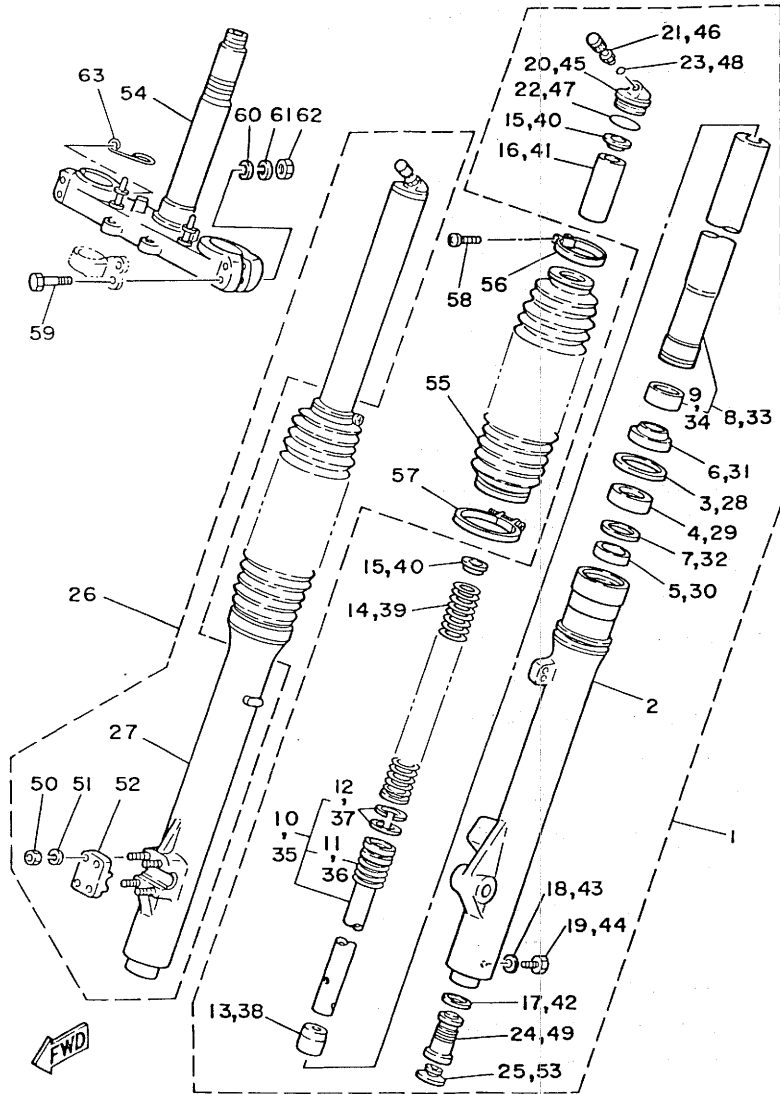


FIG. 19 FRONT FORK

REF. NO.	PART NO.	DESCRIPTION	Q'TY	REMARKS
29	23X-23145-L0	.OIL SEAL	1	
30	4V4-23125-L0	.METAL, slide 1	1	
31	23X-23144-L0	.SEAL, dust	1	
32	4V4-23146-L0	.WASHER, oil seal	1	
33	43M-23110-L0	.INNER TUBE COMP.1	1	
34	4V4-23171-L0	..PISTON, front fork	1	
35	43G-23170-L0	.CYLINDER COMP., front fork	1	
36	5X6-23152-L0	..SPRING, sub	1	
37	4V4-23157-L0	..RING, piston	2	
38	23X-23173-L0	.SPINDLE, taper	1	
39	43G-23141-L0	.SPRING, front fork (k=0.3)	1	
40	4V4-23142-L0	.SEAT, spring upper	2	
41	43G-23118-L0	.SPACER	1	
42	23X-23158-L0	.GASKET	1	
43	122-23129-00	.GASKET, drain plug	1	
44	122-23119-01	.PLUG, drain	1	
45	43M-23111-L0	.BOLT, cap	1	
46	23X-23190-L0	.AIR VALVE COMP.	1	
47	4V4-23188-L0	.O-RING	1	
48	3J2-23147-00	.O-RING	1	
49	43G-2316A-L0	.VALVE COMP.	1	
50	95311-06600	.NUT	4	
51	92901-06100	.WASHER, spring	4	
52	43M-23167-L0	.HOLDER, axle	1	
53	43M-2312G-L0	.PLUG	1	
54	43G-23340-L0	UNDER BRACKET COMP.	1	
55	39X-23191-00	BOOT	2	yellow
56	43M-23192-L0	BAND	2	

FIG. 19 FRONT FORK

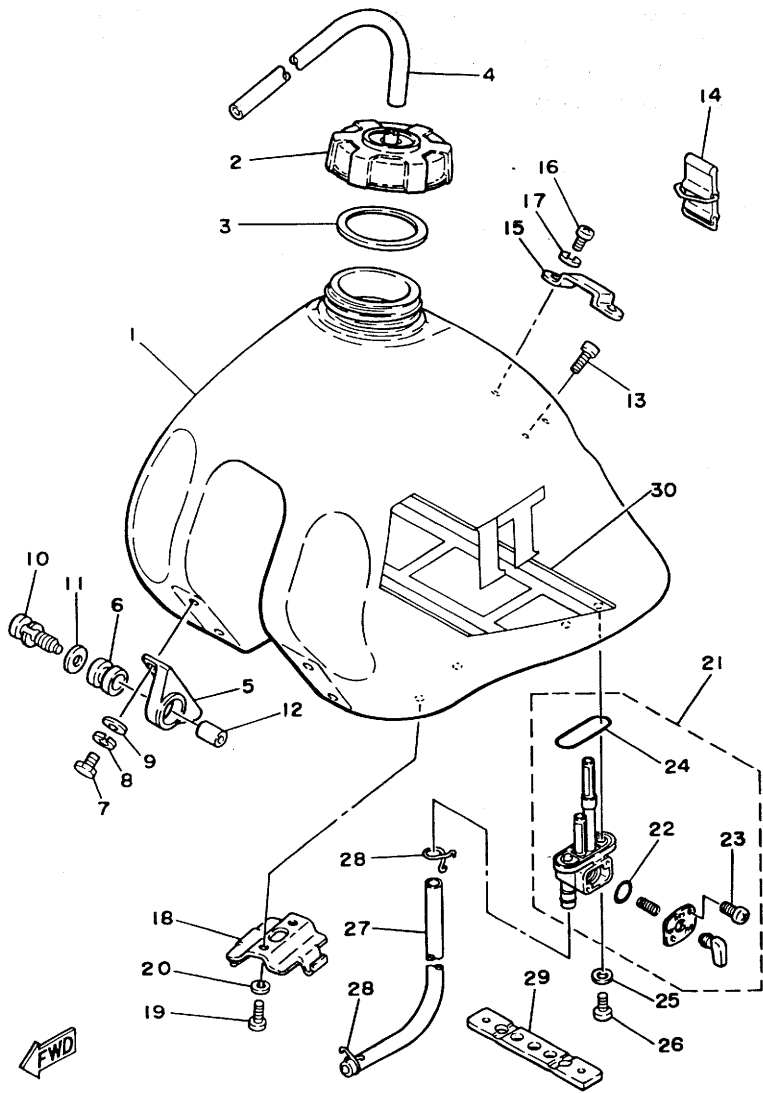
REF. NO.	PART NO.	DESCRIPTION	Q'TY	REMARKS
57	43M-23489-L0	BAND	2	
58	98506-04018	SCREW, pan head	2	
59	90109-08397	BOLT	4	
60	90201-08544	WASHER, plate	3	
61	92901-08100	WASHER, spring	4	
62	95311-08600	NUT	4	
63	4V5-23389-00	GUIDE, cable	1	



43G100-4190

C13

FIG. 20 FUEL TANK



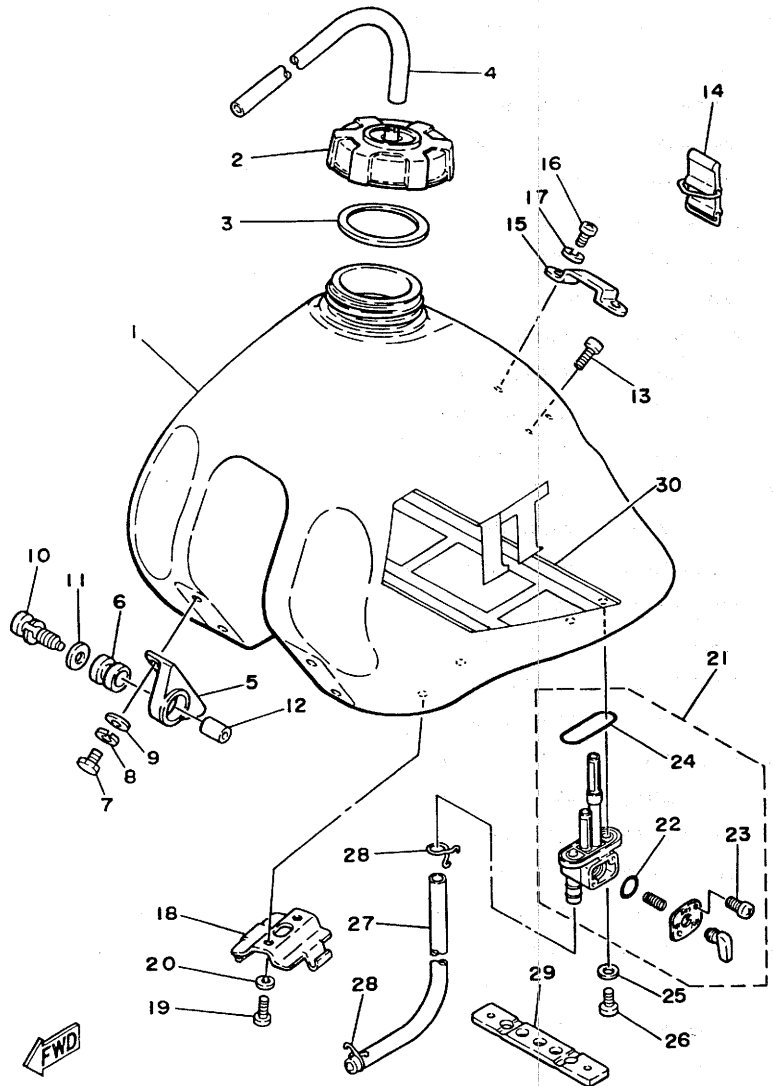
49T700-4200

REF. NO.	PART NO.	DESCRIPTION	Q'TY	REMARKS
1	43G-24110-00	FUEL TANK COMP.	1	
2	3R9-24611-01	BODY, cap	1	
3	3R9-24612-00	GASKET, cap	1	
4	90445-09252	HOSE	1	
5	24X-24144-00	HOLDER, damper	2	
6	90480-18354	GROMMET	2	
7	97301-06016	BOLT	4	
8	92901-06100	WASHER, spring	4	
9	90201-061A5	WASHER, plate	4	
10	90119-06073	BOLT, with washer	2	
11	90201-06069	WASHER, plate	2	
12	90387-06553	COLLAR	2	
13	98902-06018	SCREW, bind	1	
14	3R3-24173-00	BAND, tank fitting 1	1	
15	5X6-2412F-00	BRACKET, seat	1	
16	92501-06012	SCREW, pan head	2	
17	92901-06100	WASHER, spring	2	
18	5X6-2415F-01	STAY, chamber	1	
19	92501-06012	SCREW, pan head	2	
20	92901-06100	WASHER, spring	2	
21	43G-24500-00	FUEL COCK ASSY 1	1	
22	4X8-24533-00	.SEAL, cock	1	
23	97801-03008	.SCREW, pan head	2	
24	4X8-24512-00	.GASKET	1	
25	90202-06010	WASHER, plate	2	
26	90149-06011	SCREW	2	
27	90445-11295	HOSE	1	
28	90467-10008	CLIP	2	

C14

FIG. 20 FUEL TANK

REF. NO.	PART NO.	DESCRIPTION	Q'TY	REMARKS
29	43G-24181-00	DAMPER, locating 1	1	
30	49T-24250-00	GRAPHIC SET	1	



49T700-4200

C15

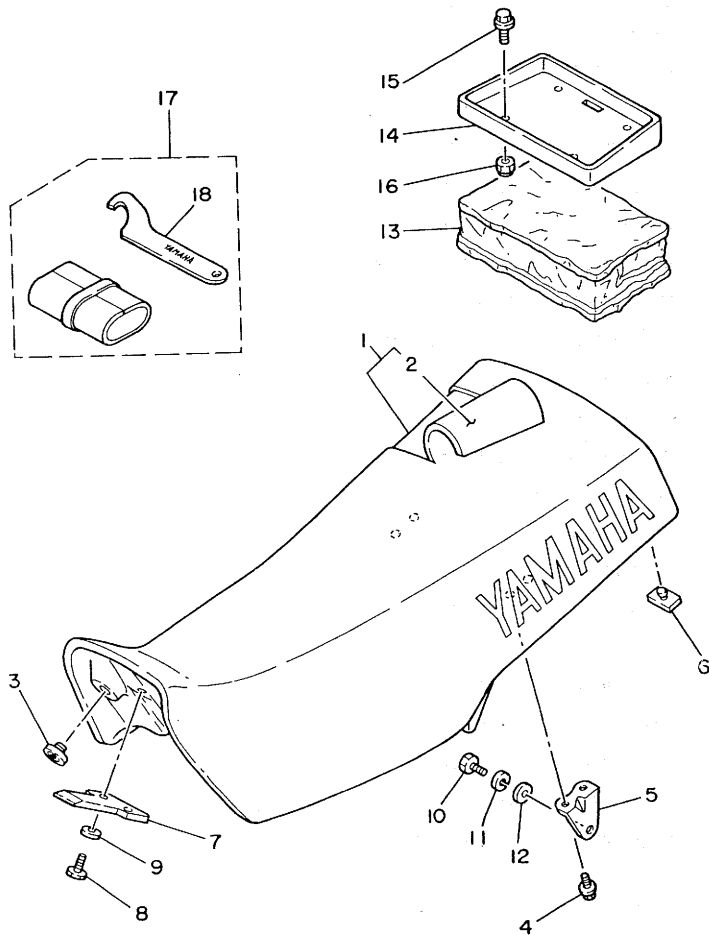


FIG. 21 SEAT

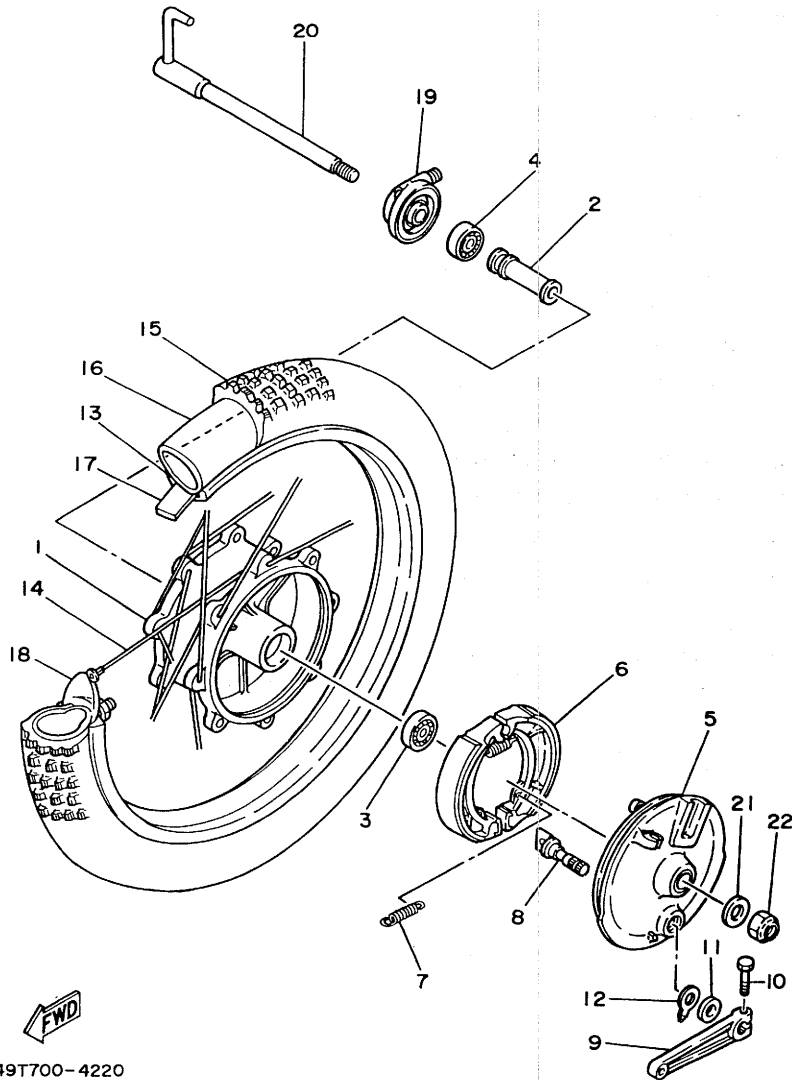
REF. NO.	PART NO.	DESCRIPTION	Q'TY	REMARKS
1	43G-W2473-00	SEMI-DOUBLE SEAT ASSY	1	
2	43G-24731-00	.COVER, seat	1	
3	509-24724-00	DAMPER, seat	3	
4	95801-06012	BOLT, flange	4	
5	39W-24738-00	BRACKET, seat	2	
6	5X6-24748-10	BRACKET, seat	1	
7	97301-06012	BOLT	2	
8	92901-06100	WASHER, spring	2	
9	97301-08016	BOLT	2	
10	92901-08100	WASHER, spring	2	
11	90201-087F0	WASHER, plate	2	
12	4V5-24850-00	CARRIER BOX ASSY	1	
13	4V5-24833-00	BRACKET, carrier 2	1	
14	95801-06016	BOLT, flange	4	
15	90185-06098	NUT, self-locking	4	
16	26A-28100-00	TOOL KIT	1	
17	23X-28135-00	.SPANNER, special	1	



43G100-4210

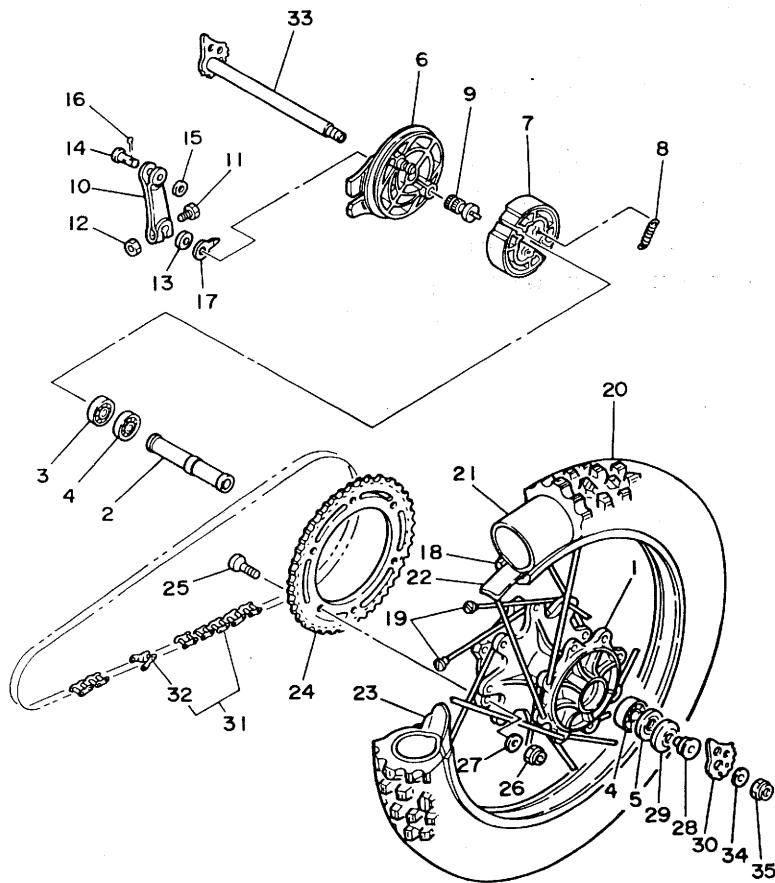
FIG. 22 FRONT WHEEL

REF. NO.	PART NO.	DESCRIPTION	Q'TY	REMARKS
1	39W-25111-00-98	HUB, front	1	low gloss black
2	90560-15227	SPACER	1	
3	93306-20203	BEARING (B6202RS)	1	
4	93306-20205	BEARING (B6202)	1	
5	1W1-25121-02-98	PLATE, brake shoe	1	low gloss black
6	39W-25330-00	BRAKE SHOE COMP.	2	
7	90506-17328	SPRING, tension	2	
8	49T-25151-00	CAMSHAFT	1	
9	322-25155-00	LEVER, camshaft 1	1	
10	90101-06291	BOLT	1	
11	93104-11056	OIL SEAL	1	
12	4N0-2513A-00	PLATE, indicator	1	
13	94416-21389	RIM (1.60-21)	1	
14	43G-25104-00	SPOKE SET, front	1	
15	94109-212F8	TIRE	1	inoue
16	94230-21126	TUBE (3.00-21)	1	inoue
17	94330-21088	BAND, rim (3.00-21)	1	inoue
18	4V5-25194-00	SPACER, bead	1	
19	26A-25190-00	GEAR UNIT ASSY	1	
20	43G-25181-00	AXLE, wheel	1	
21	90201-15785	WASHER, plate	1	
22	90185-14112	NUT, self-locking	1	



49T700-4220

D3



49T700-4230

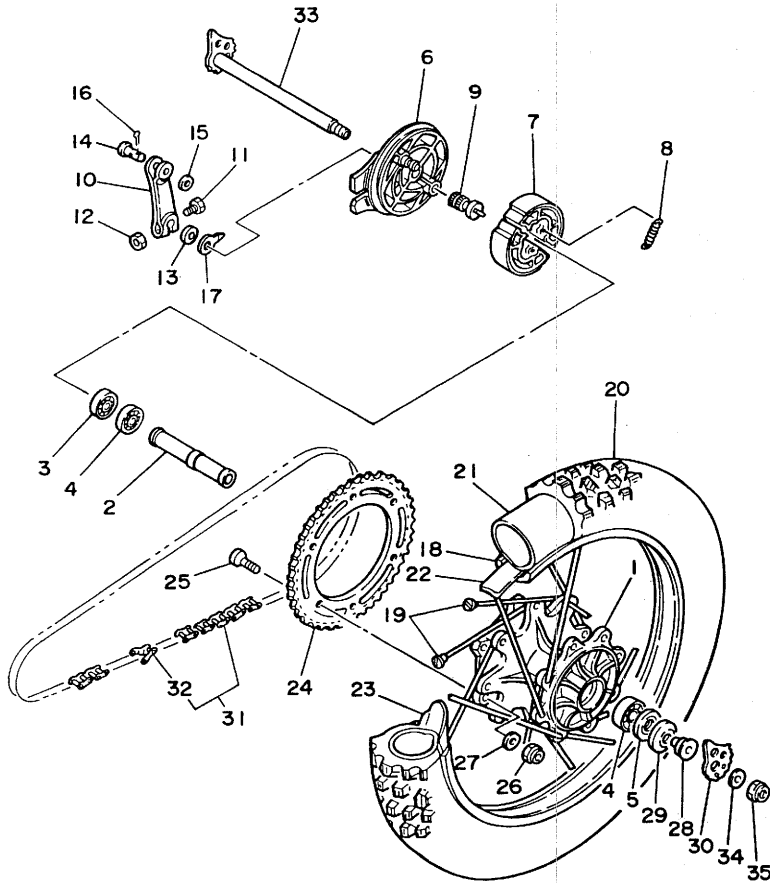
FIG. 23 REAR WHEEL

REF. NO.	PART NO.	DESCRIPTION	Q'TY	REMARKS
1	39W-25311-00-98	HUB, rear	1	low gloss black
2	90560-17231	SPACER	1	
3	93306-20310	BEARING (B6203RS)	1	
4	93306-20316	BEARING (B6203)	2	
5	93106-25022	OIL SEAL	1	
6	43G-25321-00-98	PLATE, brake shoe	1	low gloss black
7	39W-25330-00	BRAKE SHOE COMP.	2	
8	90506-17328	SPRING, tension	2	
9	49T-25351-00	CAMSHAFT	1	
10	43G-25355-00	LEVER, camshaft	1	
11	90101-06278	BOLT	1	
12	95301-06600	NUT	1	
13	148-25359-00	SEAL, camshaft	1	
14	3R6-27237-00	PIN, clevis	1	
15	90201-12631	WASHER, plate	1	
16	91401-25022	PIN, cotter	1	
17	3Y6-2533A-01	PLATE, indicator	1	
18	94418-18388	RIM (1.85-18)	1	
19	43G-25304-00	SPOKE SET, rear	1	
20	94112-182F7	TIRE	1	inoue
21	94211-18209	TUBE	1	inoue
22	94325-18043	BAND, rim (2.50-18)	1	inoue
23	39W-25394-00	SPACER, bead	2	
24	26A-25444-50-33	SPROCKET, driven (44T)	1	UR
	26A-25444-50-33	SPROCKET, driven (44T)	1	AP
	26A-25446-50-33	SPROCKET, driven (46T)	1	AP
25	90109-08706	BOLT	6	
26	95611-08100	NUT, u	6	

D4

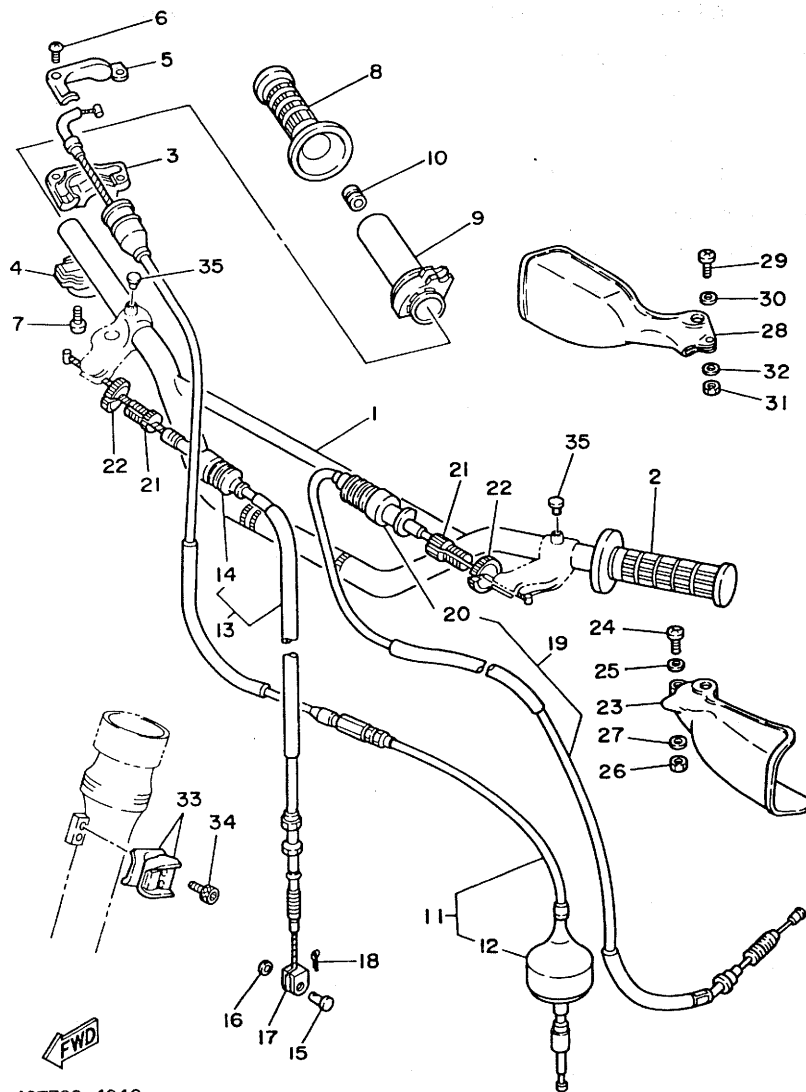
FIG. 23 REAR WHEEL

REF. NO.	PART NO.	DESCRIPTION	Q'TY	REMARKS
27	90201-081A6	WASHER, plate	6	
28	90387-175K4	COLLAR	1	
29	24X-25367-00	COVER, hub dust	1	
30	1M1-25388-01	PULLER, chain l	1	
31	94585-20106	CHAIN (DID520DS-106L)	1	
32	94685-20001	.JOINT, chain	1	
33	43G-25381-00	AXLE, wheel	1	
34	90201-160F6	WASHER, plate	1	
35	90185-16103	NUT, self-locking	1	



49T700-4230

D5



49T700-4240

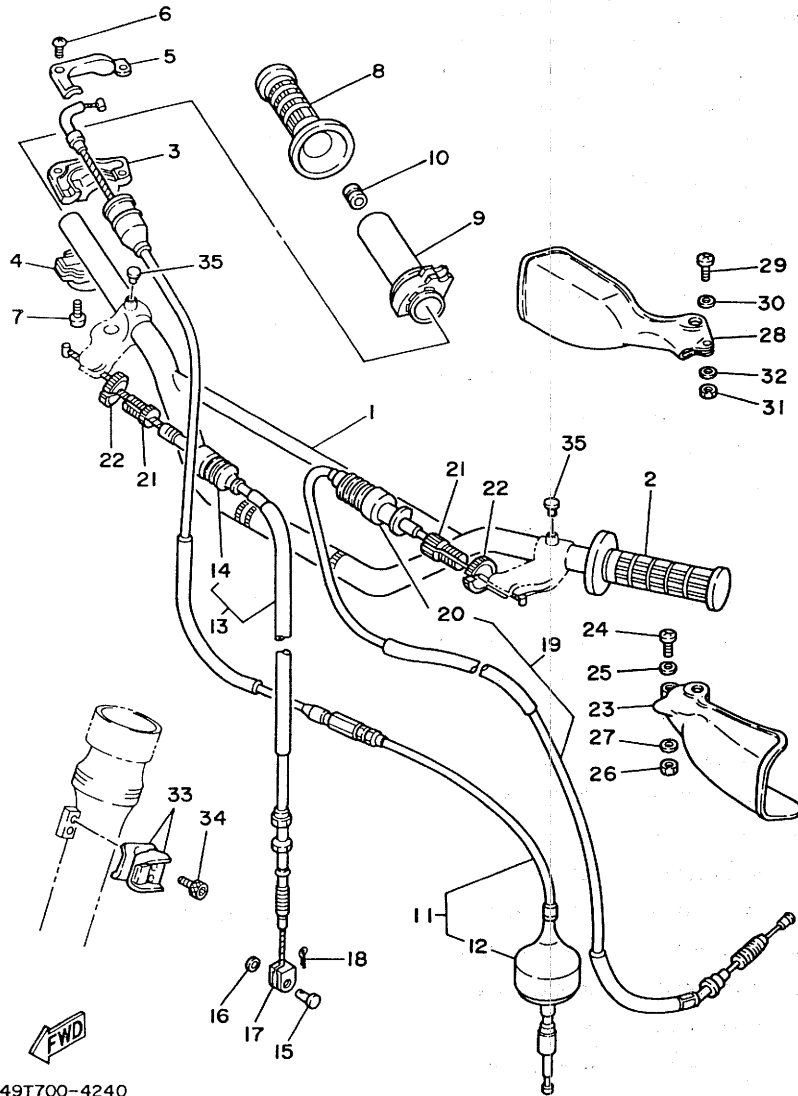
FIG. 24 STEERING HANDLE. CABLE

REF. NO.	PART NO.	DESCRIPTION	Q'TY	REMARKS
1	23X-26111-00	HANDLEBAR	1	
2	4V4-26241-01	GRIP (L.H)	1	
3	5X2-26281-00	CAP, grip upper	1	
4	322-26282-00-98	CAP, grip lower	1	low gloss black
5	5X2-2628H-01	CAP, wire	1	
6	98606-04012	SCREW, oval head	2	
7	98506-05016	SCREW, pan head	2	
8	4V4-26242-01	GRIP (R.H)	1	
9	22W-26243-00	TUBE, throttle guide	1	
10	688-82535-00	GROMMET	1	
11	43G-26311-00	CABLE, throttle 1	1	
12	500-26329-01	.CAP, rubber	1	
13	5X8-26341-00	CABLE, brake	1	
14	1E6-26342-00	.BOOT, cable	1	
15	90240-08012	PIN, clevis	1	
16	90201-08083	WASHER, plate	1	
17	156-26347-00	JOINT, cable	1	
18	91401-20015	PIN, cotter	1	
19	43G-26335-00	CABLE, clutch	1	
20	1E6-26342-00	.BOOT, cable	1	
21	90123-08090	BOLT	2	
22	90179-08401	NUT	2	
23	3R9-26141-00	GUARD, brush 1	1	sky blue
24	92501-06014	SCREW, pan head	1	
25	90201-061A5	WASHER, plate	1	
26	95301-06700	NUT	1	
27	92901-06200	WASHER, plain	1	
28	30X-26142-20	GUARD, brush 2	1	sky blue

D6

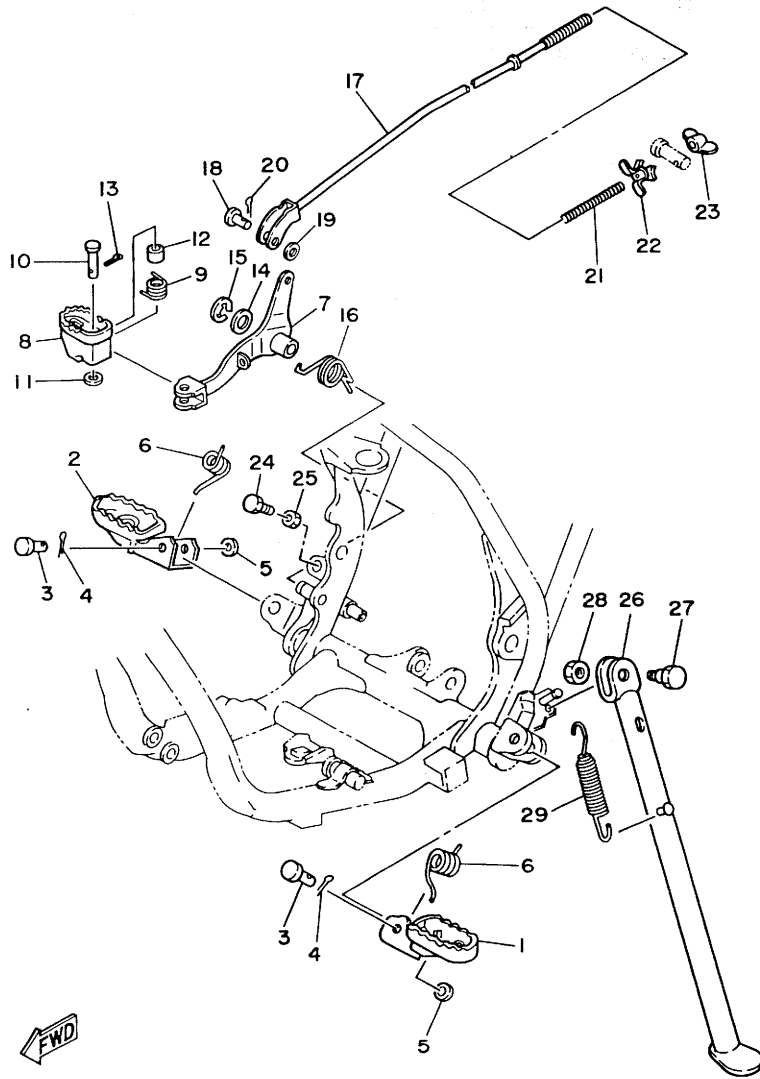
FIG. 24 STEERING HANDLE. CABLE

REF. NO.	PART NO.	DESCRIPTION	Q'TY	REMARKS
29	92501-06035	SCREW, pan head	1	
30	90201-061A5	WASHER, plate	1	
31	95301-06700	NUT	1	
32	92901-06200	WASHER, plain	1	
33	90465-16258	CLAMP	2	
34	91311-06016	BOLT	2	
35	90338-09012	PLUG	2	



49T700-4240

D7



49T700-4250

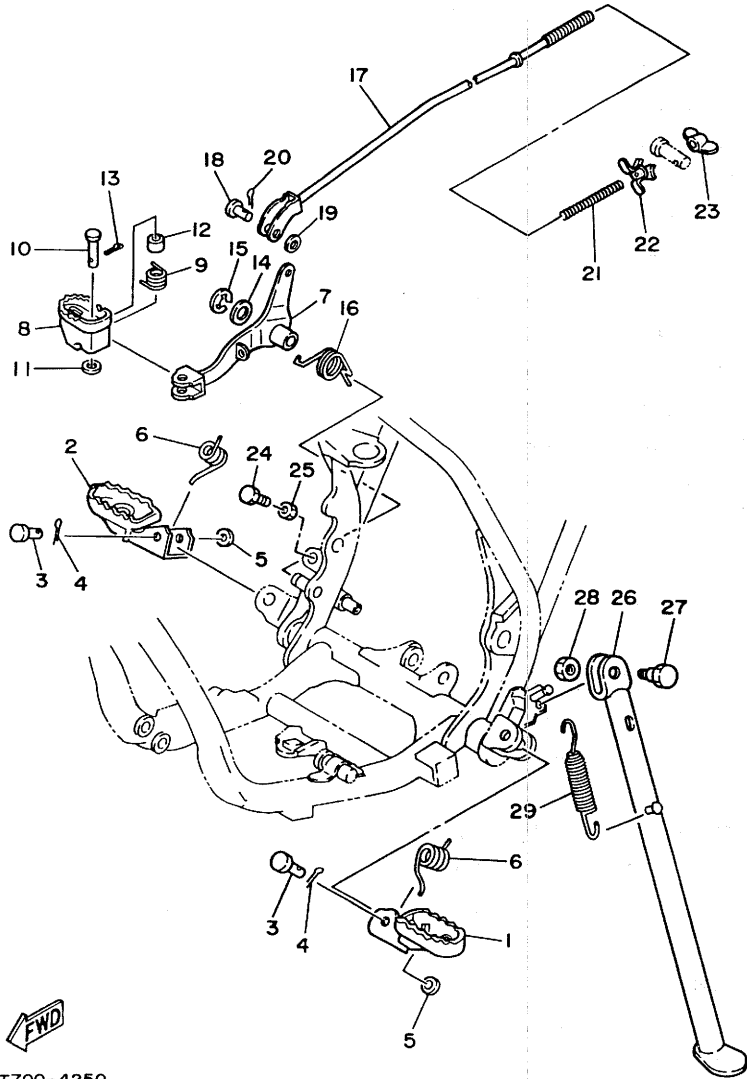
FIG. 25 STAND. FOOTREST

REF. NO.	PART NO.	DESCRIPTION	Q'TY	REMARKS
1	23X-27411-01	FOOTREST 1	1	
2	23X-27421-01	FOOTREST 2	1	
3	90240-10101	PIN, clevis	2	
4	91401-25020	PIN, cotter	2	
5	90201-10119	WASHER, plate	2	
6	90508-20583	SPRING, torsion	2	
7	49T-27211-00	PEDAL, brake	1	
8	5X8-27242-00	PEDAL, brake	1	
9	90508-20451	SPRING, torsion	1	
10	91701-08032	PIN, clevis	1	
11	92901-08600	WASHER, plate	1	
12	90387-08762	COLLAR	1	
13	91401-25015	PIN, cotter	1	
14	92902-12600	WASHER, plate	1	
15	93430-09038	CIRCLIP	1	
16	90508-32662	SPRING, torsion	1	
17	43G-27231-00	ROD, brake	1	
18	90240-06040	PIN, clevis	1	
19	92901-06200	WASHER, plain	1	
20	91401-20015	PIN, cotter	1	
21	90501-10245	SPRING, compression	1	
22	1W2-27239-00	SEAT, spring	1	
23	20E-26343-00	NUT, adjusting	1	
24	97301-06016	BOLT	1	
25	95301-06700	NUT	1	
26	43G-27311-00-33	STAND, side	1	yamaha black
27	90109-08032	BOLT	1	
28	95301-08700	NUT	1	

D8

FIG. 25 STAND. FOOTREST

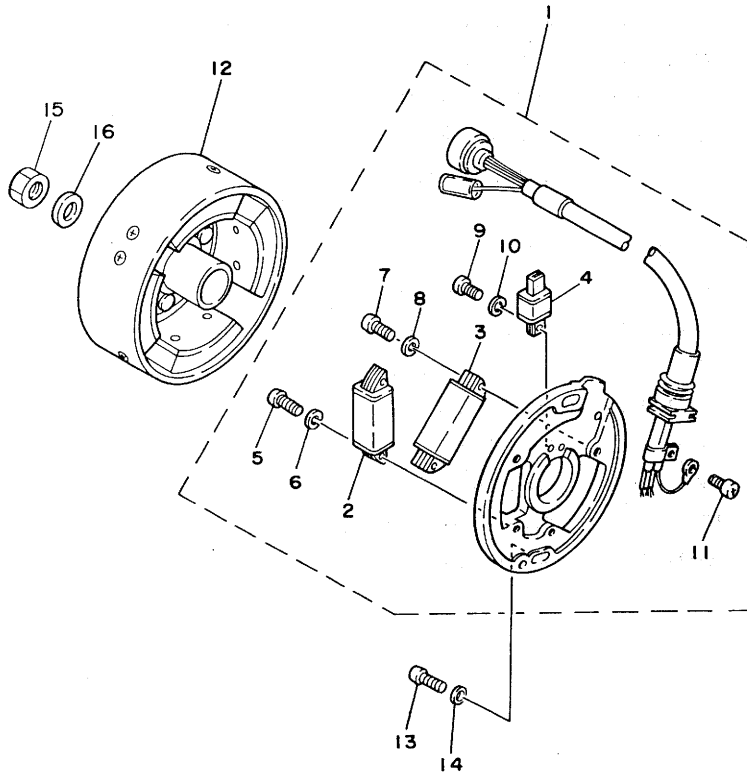
REF. NO.	PART NO.	DESCRIPTION	Q'TY	REMARKS
29	90507-29009	SPRING, tension	1	



49T700-4250

D9

FIG. 26 GENERATOR

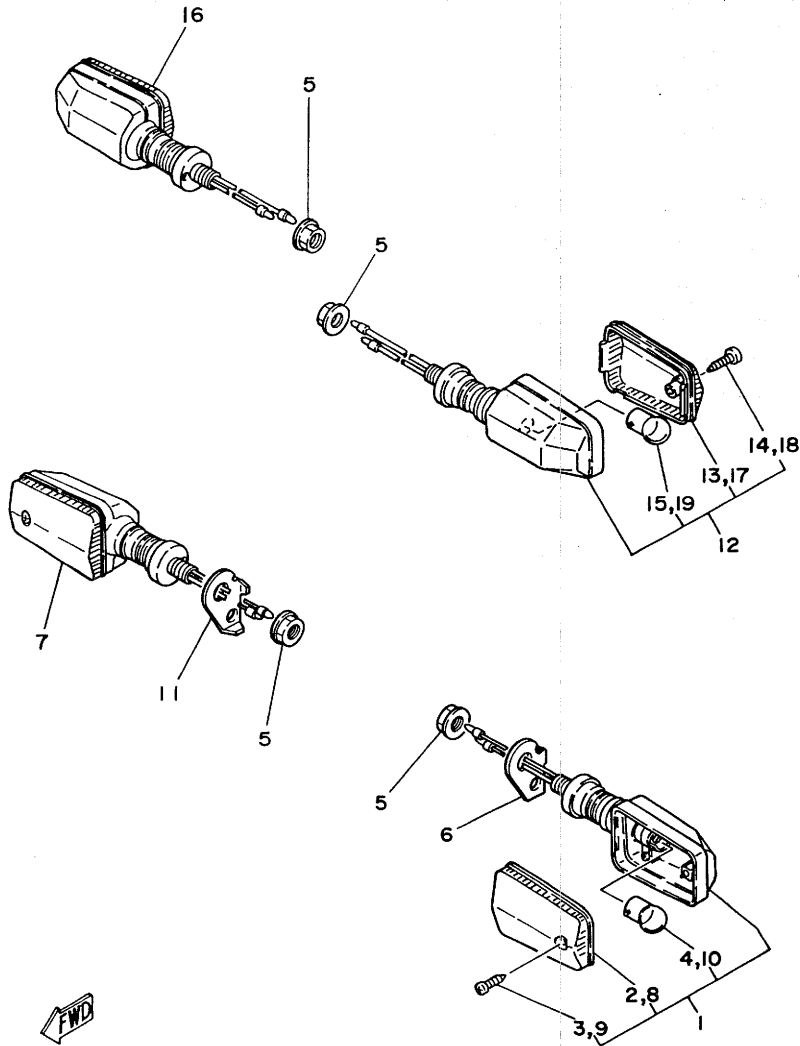


REF. NO.	PART NO.	DESCRIPTION	Q'TY	REMARKS
1	49T-85510-20	STATOR ASSY	1	
2	23X-85520-21	.COIL, charge	1	
3	4J0-85513-20	.COIL, lighting 1	1	
4	43G-85580-20	.COIL, pulser	1	
5	98501-04016	.SCREW, pan head	2	
6	92901-04100	.WASHER, spring	2	
7	98501-04030	.SCREW, pan head	2	
8	92901-04100	.WASHER, spring	2	
9	98501-04014	.SCREW, pan head	1	
10	92901-04100	.WASHER, spring	1	
11	110-81345-21	.SCREW, pan head	1	
12	43G-85550-20	ROTOR ASSY	1	
13	92501-06014	SCREW, pan head	2	
14	90201-061A5	WASHER, plate	2	
15	90170-12067	NUT	1	
16	90201-12593	WASHER, plate	1	

43G100-4261

D10

FIG. 27 FLASHER LIGHT



REF. NO.	PART NO.	DESCRIPTION	Q'TY	REMARKS
1	17W-83310-10	FRONT FLASHER LIGHT ASSY 1	1	
2	17W-83312-10	.LENS, flasher	1	
3	97702-40520	.SCREW, tapping	1	
4	152-83311-10	.BULB (6V-10W)	1	
5	95702-12100	NUT, flange	4	
6	5X9-83318-01	STAY, flasher 1	1	
7	17W-83320-10	FRONT FLASHER LIGHT ASSY 2	1	
8	17W-83322-10	.LENS, flasher 2	1	
9	97702-40520	.SCREW, tapping	1	
10	152-83311-10	.BULB (6V-10W)	1	
11	5X9-83328-01	STAY, flasher 2	1	
12	17W-83330-10	REAR FLASHER LIGHT ASSY 1	1	
13	17W-83322-10	.LENS, flasher 2	1	
14	97701-40120	.SCREW, panhead tapping	1	
15	152-83311-10	.BULB (6V-10W)	1	
16	17W-83340-10	REAR FLASHER LIGHT ASSY	1	
17	17W-83312-10	.LENS, flasher	1	
18	97701-40120	.SCREW, panhead tapping	1	
19	152-83311-10	.BULB (6V-10W)	1	



49T700-4270

D11

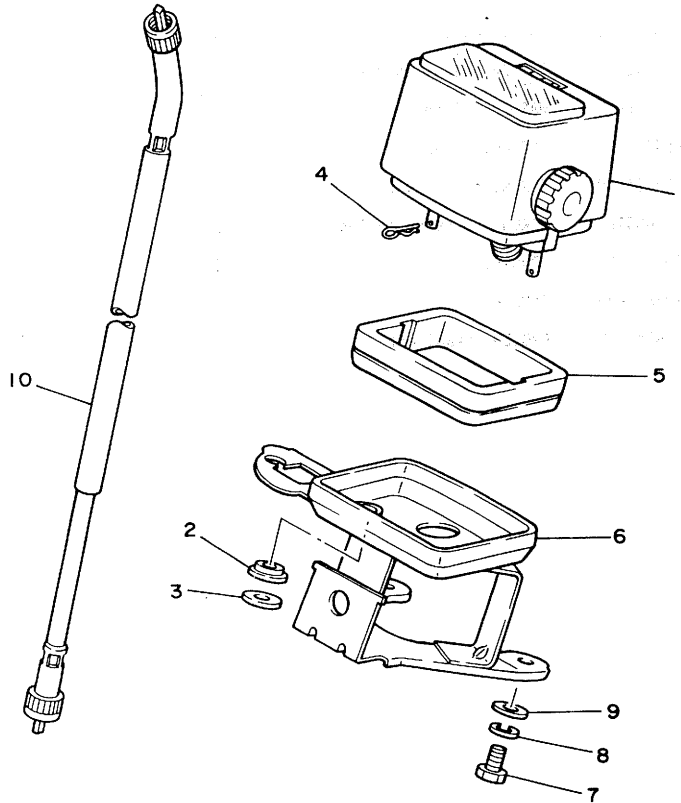


FIG. 28 METER

REF. NO.	PART NO.	DESCRIPTION	Q'TY	REMARKS
1	29W-83570-F1	SPEEDOMETER ASSY	1	
2	1M1-83526-00	DAMPER 2	2	
3	90201-052E2	WASHER, plate	2	
4	437-83525-00	CLIP	2	
5	29W-83513-00	DAMPER	1	
6	29W-83519-00	BRACKET, meter	1	
7	97321-06012	BOLT	2	
8	92901-06100	WASHER, spring	2	
9	90201-061A5	WASHER, plate	2	
10	4V5-83550-00	SPEEDOMETER CABLE ASSY	1	

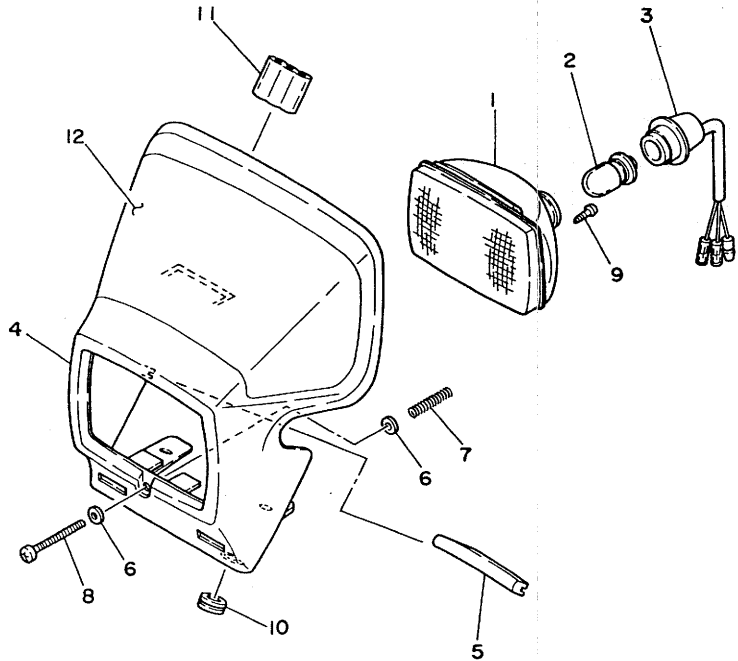


49T700-4280

D12

FIG. 29 HEADLIGHT

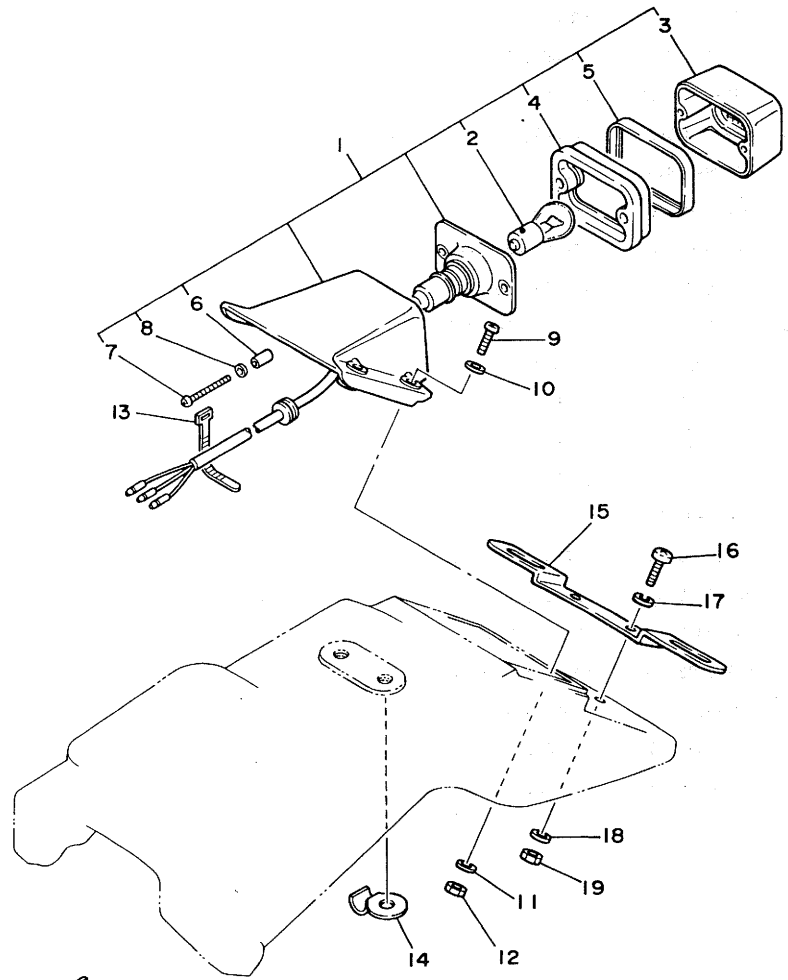
REF. NO.	PART NO.	DESCRIPTION	Q'TY	REMARKS
1	18A-84120-00	LENS ASSY	1	
2	4G2-84114-00	BULB, headlight	1	
3	26A-84140-00	SOCKET CORD ASSY	1	
4	26A-84111-00	BODY, headlight	1	
5	26A-84143-00	DAMPER, headlight stay	1	
6	92901-04600	WASHER, plate	2	
7	18A-84132-00	SPRING, screw	1	
8	18A-84131-00	SCREW, rim adjuster	1	
9	97701-40510	SCREW, panhead tapping	2	
10	90480-12053	GROMMET	2	
11	4V5-83592-00	DAMPER	1	
12	26A-84141-00	EMBLEM, headlight	1	



29W300-3280

D13

FIG. 30 TAILLIGHT

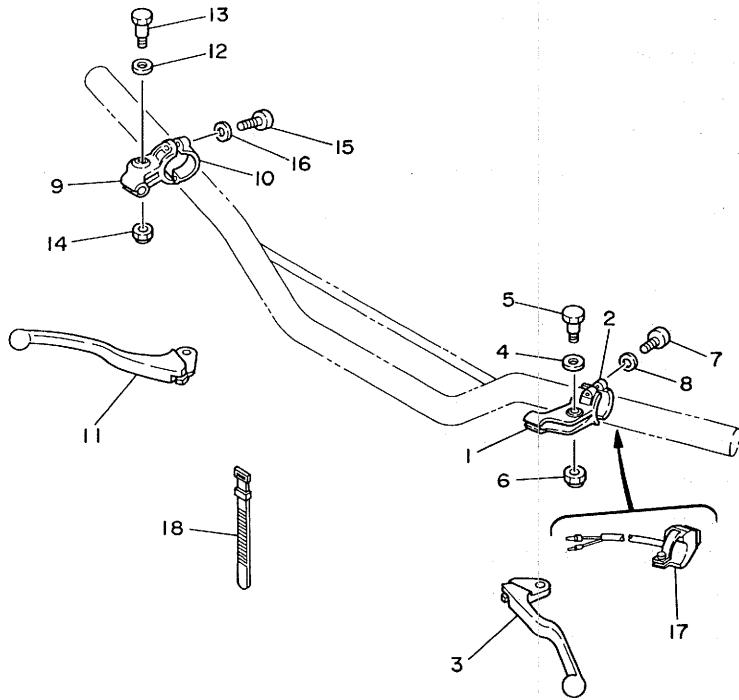


REF. NO.	PART NO.	DESCRIPTION	Q'TY	REMARKS
1	36A-84500-00	TAILLIGHT ASSY	1	
2	122-84514-00	.BULB (6V-10/3W)	1	
3	434-84521-69	.LENS, taillight	1	
4	29W-84527-00	.DAMPER	1	
5	434-84515-61	.RIM, taillight	1	
6	29W-84557-00	.COLLAR	2	
7	98502-04035	.SCREW, pan head	2	
8	92901-04600	.WASHER, plate	2	
9	92501-06035	SCREW, pan head	4	
10	90201-061A5	WASHER, plate	4	
11	90201-06571	WASHER, plate	4	
12	95302-06600	NUT	4	
13	437-83936-00	BAND, switch cord	2	
14	34K-21615-00	WASHER, special 1	1	
15	36A-84551-00	BRACKET, licence	1	
16	92502-06016	SCREW, pan head	2	
17	92902-06100	WASHER, spring	2	
18	92902-06100	WASHER, spring	2	
19	95302-06600	NUT	2	

FWD
49T700-4300

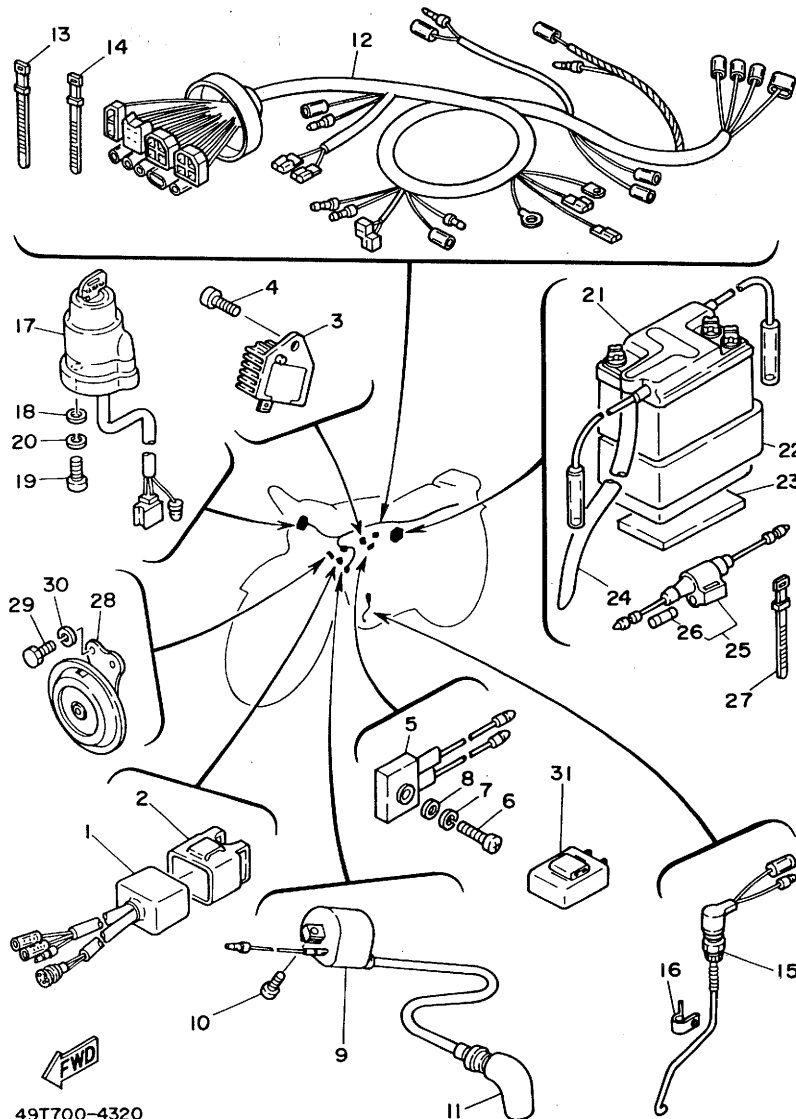
FIG. 31 HANDLE SWITCH. LEVER

REF. NO.	PART NO.	DESCRIPTION	Q'TY	REMARKS
1	33G-82911-00	HOLDER, lever 1	1	
2	33G-82913-00	HOLDER, lever lower 1	1	
3	23X-83912-00	LEVER 1	1	
4	90201-08083	WASHER, plate	1	
5	90109-06410	BOLT	1	
6	95601-06100	NUT, u	1	
7	98506-05020	SCREW, pan head	2	
8	92906-05100	WASHER, spring	2	
9	33G-82921-00	HOLDER, lever 2	1	
10	33G-82923-00	HOLDER, lever lower 2	1	
11	23X-83922-00	LEVER 2	1	
12	90201-08083	WASHER, plate	1	
13	90109-06410	BOLT	1	
14	95601-06100	NUT, u	1	
15	98506-05018	SCREW, pan head	2	
16	92906-05100	WASHER, spring	2	
17	23X-83976-00	SWITCH, handle 1	1	
18	437-83936-00	BAND, switch cord	2	
19	1M1-83980-30	FRONT STOP SWITCH ASSY	1	
20	5X9-83972-00	SWITCH, handle 4	1	
21	98506-05022	SCREW, pan head	2	



43G100-4300

D15



49T700-4320

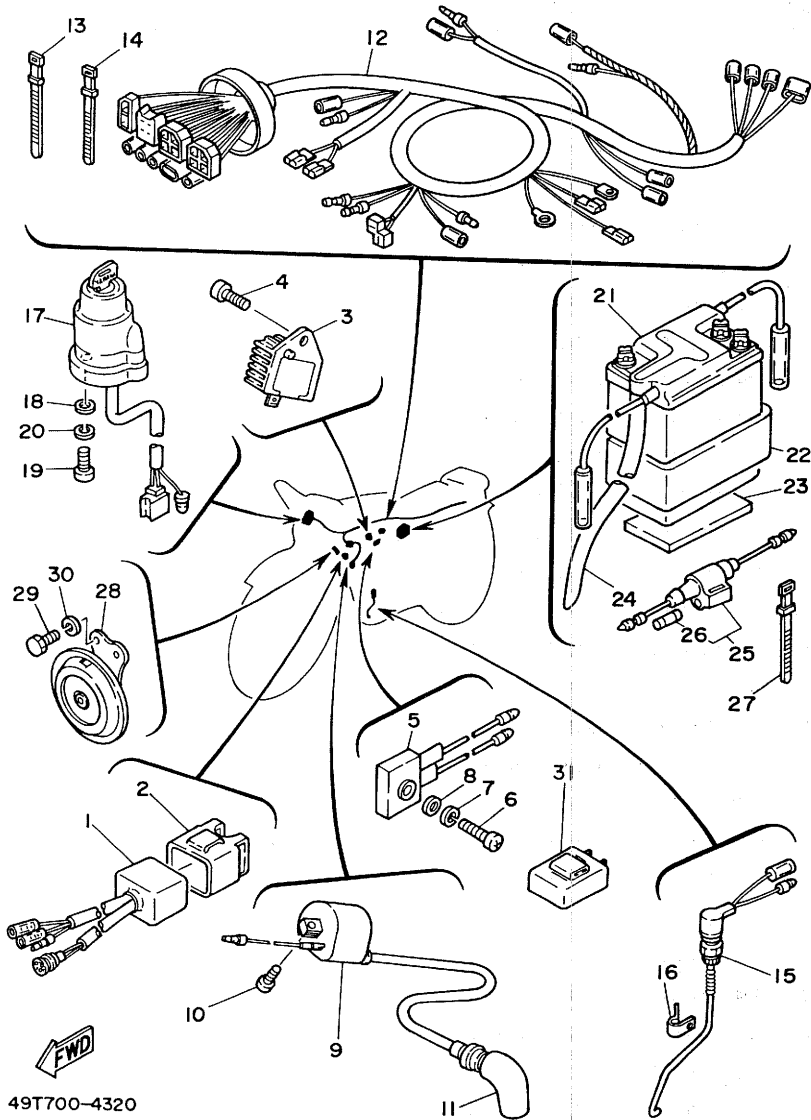
FIG. 32 ELECTRICAL 1

REF. NO.	PART NO.	DESCRIPTION	Q'TY	REMARKS
1	23X-85540-20	C.D.I. UNIT ASSY	1	
2	2A7-85546-00	BAND	1	
3	4F4-81910-60	VOLTAGE REGULATOR ASSY	1 UR	
	4F4-81910-91	VOLTAGE REGULATOR ASSY	1 UR	
4	92502-06016	SCREW, pan head	1	
5	353-81970-63	RECTIFIER ASSY	1 stanley	
6	98501-05020	SCREW, pan head	1	
7	92901-05100	WASHER, spring	1	
8	92901-05600	WASHER, plate	1	
9	43G-82310-40	IGNITION COIL ASSY	1	
10	92502-06016	SCREW, pan head	2	
11	1M1-82370-21	PLUG CAP ASSY	1	with noise suppressor
12	49T-82590-00	WIRE HARNESS ASSY	1	
13	256-83936-00	BAND, switch cord	1	
14	437-83936-00	BAND, switch cord	4	
15	5L4-82530-00	STOP SWITCH ASSY	1	
16	90462-05005	CLAMP	1	
17	5L4-82508-20	MAIN SWITCH ASSY	1	
18	90201-05033	WASHER, plate	2	
19	98501-05025	SCREW, pan head	2	
20	92901-05100	WASHER, spring	2	
21	2E9-82110-29	BATTERY ASSY	1	
22	29W-82122-01	SEAT, battery	1	
23	29W-82123-00	SEAT, battery	2	
24	90445-08172	HOSE	1	
25	1E6-82150-00	FUSE HOLDER ASSY	1	
26	1E6-82151-00	.FUSE (6V-10A)	2	
27	7F6-82591-00	BAND	3	

E2

FIG. 32 ELECTRICAL 1

REF. NO.	PART NO.	DESCRIPTION	Q'TY	REMARKS
28	4U5-83371-10	HORN	1	
29	97301-06010	BOLT	2	
30	92901-06100	WASHER, spring	2	
31	29F-83350-10	FLASHER RELAY ASSY	1	

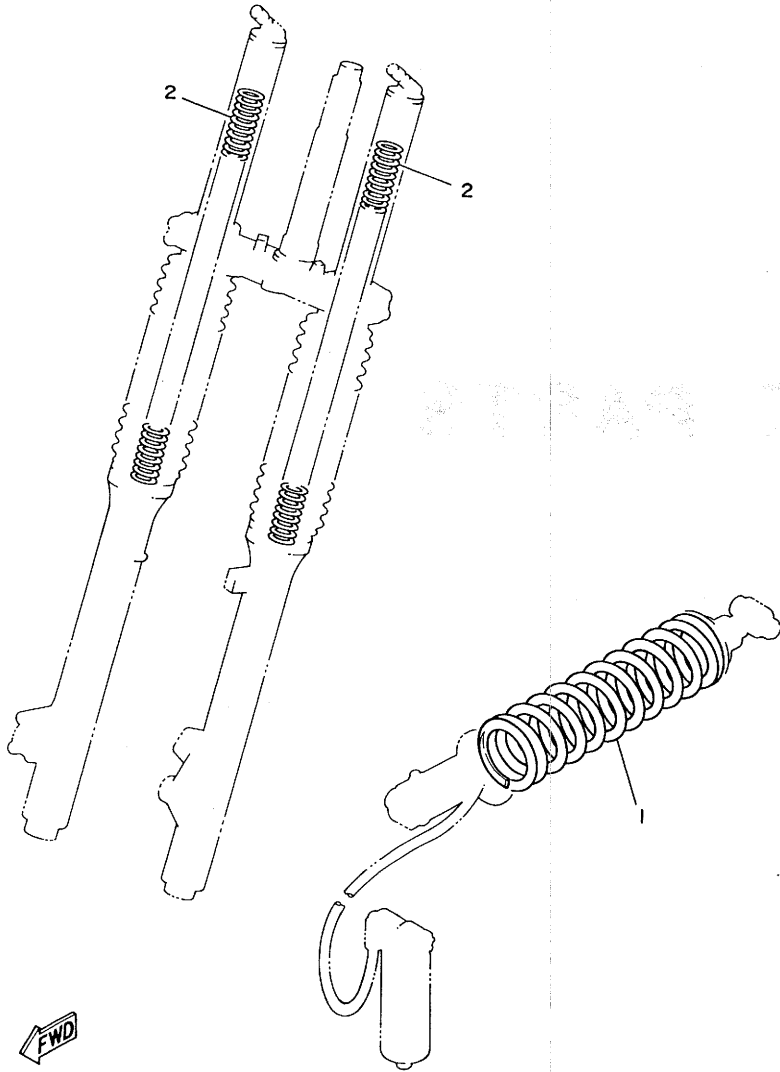


E3

ALTERNATE PARTS

FIG. 33 ALTERNATE 1 (CHASSIS)

REF. NO.	PART NO.	DESCRIPTION	Q'TY	REMARKS
1	43G-22212-10-26	SPRING (K=5.0)	1	UR competition yellow soft
	43G-22212-20-26	SPRING (K=6.0)	1	UR competition yellow hard
2	43G-23141-10	SPRING, front fork (K=0.275)	2	UR soft
	43G-23141-20	SPRING, front fork (K=0.325)	2	UR hard



ATLAS TAMPONER



39W100-4320

E4

REPAIR KIT

FIG. 34 REPAIR KIT

REF. NO.	PART NO.	DESCRIPTION	Q'TY	REMARKS
1	43G-11630-00	PISTON ASSY (STD)	1	AP
2	43G-11631-00-95	.PISTON (STD)	1	
3	43G-11601-00	.PISTON RING SET (STD)	1	
4	251-11633-00	.PIN, piston	1	
5	4V2-11634-00	.CLIP, piston pin	2	
6	43G-11630-10	PISTON ASSY (1ST O/S)	1	AP
7	43G-11635-00	.PISTON (0.25MM O/S)	1	
8	43G-11601-10	.PISTON RING SET (1ST O/S)	1	
9	251-11633-00	.PIN, piston	1	
10	4V2-11634-00	.CLIP, piston pin	2	
11	43G-11630-20	PISTON ASSY (2ND O/S)	1	AP
12	43G-11636-00	.PISTON (0.50MM O/S)	1	
13	43G-11601-20	.PISTON RING SET (2ND O/S)	1	
14	251-11633-00	.PIN, piston	1	
15	4V2-11634-00	.CLIP, piston pin	2	
16	43G-11630-30	PISTON ASSY (3RD O/S)	1	AP
17	43G-11637-00	.PISTON (0.75MM O/S)	1	
18	43G-11601-30	.PISTON RING SET (3RD O/S)	1	
19	251-11633-00	.PIN, piston	1	
20	4V2-11634-00	.CLIP, piston pin	2	
21	43G-11630-40	PISTON ASSY (4TH O/S)	1	AP
22	43G-11638-00	.PISTON (1.00MM O/S)	1	
23	43G-11601-40	.PISTON RING SET (4TH O/S)	1	
24	251-11633-00	.PIN, piston	1	
25	4V2-11634-00	.CLIP, piston pin	2	
26	43G-11650-00	CONNECTING ROD ASSY	1	AP
27	43G-11651-00	.ROD, connecting	1	

FIG. 34 REPAIR KIT

REF. NO.	PART NO.	DESCRIPTION	Q'TY	REMARKS
28	43G-11681-00	.PIN, crank 1	1	
29	90209-22071	.WASHER	2	
30	93310-522M4	.BEARING, cylindrical	1	
31	93310-316H6	.BEARING, cylindrical	1	

INDEX

NUMERICAL INDEX

PART NO.	REF. NO.	PART NO.	REF. NO.	PART NO.	REF. NO.	PART NO.	REF. NO.	PART NO.	REF. NO.	PART NO.	REF. NO.
43G-W1511-00	6- 1	43G-11637-00	2- 8	43G-14452-00	3-20	43G-17131-00	10- 3	22W-22178-01	13- 2	43G-23141-20	33- 2
5X8-W2231-01	16-49		34-17	43G-14453-00	3-21	43G-17151-00	10- 4		13-22	4V4-23142-L0	19-15
43G-W2473-00	21- 1	43G-11638-00	2- 8	43G-14455-00	3-31	43G-17161-00	10- 5	5X8-2218A-00	16-53		19-40
43G-11111-00	1- 1		34-22	39K-14457-00	3-29	43G-17211-00	10-10	4V4-22184-00	13- 3	23X-23144-L0	19- 6
463-11127-02	1- 3	43G-11650-00	34-26	43G-14457-00	3-38	43G-17221-00	10-11		13-23		19-31
3R6-11162-00	1-10	43G-11651-00	2- 4	43G-14458-00	3-27	43G-17231-00	10-12	39W-22199-00	16-21	23X-23145-L0	19- 4
3R9-11162-00	1- 2		34-27	43G-14459-00	3-25	43G-17241-00	10-13	43G-22210-00-26	17- 1		19-29
43G-11181-00	1- 4	43G-11681-00	2- 5	43G-14462-00	3-24	43G-17251-00	10-14	23X-22211-00	17-28	4V4-23146-L0	19- 7
49T-11181-00	1- 5		34-28	43G-14467-00	3-51	43G-17261-00	10-15	43G-22212-00-26	17-21		19-32
43G-11311-00	1- 9	353-13115-01	6- 2	4V2-14468-02	3-28	43G-17411-00	10- 1	43G-22212-10-26	33- 1	3J2-23147-00	19-23
43G-11351-00	1-11	43G-13565-00	3- 6	34K-14484-00	3-32	137-17417-00-05	8- 2	43G-22212-20-26	33- 1		19-48
43G-11400-00	2- 1	5X8-13581-00	3-12	43G-14610-00	5- 1	43G-17421-00	10- 9	3R4-22213-00	17-19	5X6-23152-L0	19-11
43G-11412-00	2- 2	43G-13591-00	3-39	3R6-14613-01	5- 2	168-17461-10	10-30	5X2-22214-00	17-22		19-36
43G-11422-00	2- 3	43G-13610-00	3- 1	4J0-14617-00	5- 3	168-17461-20	10-30	3R4-22221-01	17-18	4V4-23153-L0	19- 3
43G-11601-00	2- 9	3R3-13613-00	3- 2	1M1-14714-00	5-16	168-17461-30	10-30	38V-22223-00	17-23		19-28
	34- 3	43G-13616-00	3- 3	5X8-14752-01	5-11	3R3-17471-00	10-26	5X2-22228-00	17-11	4V4-23157-L0	19-12
43G-11601-10	2- 9	39W-13621-00	3- 5	43G-14753-00	5- 8	24X-18101-00	12- 1	24X-22261-00	17-35		19-37
	34- 8	43G-1410A-00	4-12	1M1-14772-00	5- 5	5X4-18110-01	12- 2	24X-22262-00	17-36	23X-23158-L0	19-17
43G-11601-20	2- 9	43G-14101-00	4- 1	1W2-14787-00	5-15	1W6-18113-00	12- 3	5X9-22312-00	16-56		19-42
	34-13	24X-14103-00	4- 7	24X-1490J-00	4- 6	3R3-18140-00	11- 2	5X9-22318-00	16-54	43G-2316A-L0	19-24
43G-11601-30	2- 9	43G-14104-00	4-11	43G-15121-00	6- 3	1W1-18177-00	11- 4	43G-22401-00	17- 2		19-49
	34-18	24X-14106-00	4-26	3R3-15128-01	6-14	43G-18511-00	11- 5	39W-22409-00	17-12	43M-23167-L0	19-52
43G-11601-40	2- 9	24X-14107-33	4-23	1G8-15362-00	7- 5	43G-18512-00	11- 6	39K-22472-00	17- 7	43G-23170-L0	19-10
	34-23	5X8-14112-20	4-16	2K7-15383-00	10-28	43G-18513-00	11- 7	29L-22475-00	17- 6		19-35
43G-11630-00	34- 1	500-14115-00	4-20	3R3-15411-01	7- 1	5X5-18531-01	11- 9	39W-22489-00	17- 8	4V4-23171-L0	19- 9
43G-11630-10	34- 6	363-14131-00	4-15	43G-15421-00	7- 9	5X5-18535-01	11-10	39W-22493-00	17-10		19-34
43G-11630-20	34-11	239-14141-46	4- 4	5X9-15431-00	7-15	24X-18540-00	11- 1	5X3-22497-00	17-16	23X-23173-L0	19-13
43G-11630-30	34-16	193-14142-55	4-18	3R3-15451-01	7- 2	49T-21110-00-33	13- 1	43G-23102-L0	19- 1		19-38
43G-11630-40	34-21	137-14143-66	4- 3	43G-15455-00	7-10	29W-21170-00	15-13	43G-23103-L0	19-26	4V4-23188-L0	19-22
43G-11631-00-95	2- 8	313-14146-00	4-14	3R3-15618-01	8-18	24X-21419-01	13- 6	43M-23110-L0	19- 8		19-47
	34- 2	483-14146-00	4- 5	43G-15620-00	8-13	43G-21425-00	13-14		19-33	34K-2319U-00	18-17
43G-11631-00-96	2- 8	558-14147-00	4-19	5X3-15621-00	8-14	43G-2147A-00	13-12	43M-23111-L0	19-20	23X-23190-L0	19-21
251-11633-00	2-10	168-14153-00	4-21	3R3-15641-00	8- 5	3R9-21511-10	14- 1		19-45		19-46
	34- 4	3R3-14158-00	4-25	43G-15651-00	8- 1	49T-21611-00	14- 4	43G-23118-L0	19-16	39X-23191-00	19-55
	34- 9	483-14184-00	4-17	248-15654-00	8- 7	34K-21615-00	30-14		19-41	43M-23192-L0	19-56
	34-14	310-14185-00	4- 2	5X4-15660-00	8- 4	43G-21642-00	14- 8	122-23119-01	19-19	3R4-23317-00	18-11
	34-19	127-14186-00	4-24	3R3-15666-00	8- 9	43G-21711-00-26	15- 1		19-44	26A-23318-00	18-12
	34-24	310-14187-00	4-22	43G-16111-00	9- 1	43G-21721-00-26	15- 5	43M-23126-L0	19-25	43G-23340-L0	19-54
4V2-11634-00	2-11	493-14196-00	4-10	43G-16150-00	9- 4	43G-21781-00	3-19		19-53	3R4-23389-00	18- 1
	34- 5	310-14197-00	4-13	537-16321-00	9- 7		15- 6	4V4-23125-L0	19- 5	4V5-23389-00	19-63
	34-10	4V3-1441K-00	3-13	137-16325-70	9- 6	43G-22110-00	16- 1		19-30	1W1-23416-00	18- 4
	34-15	43G-14411-00	3-17	1W1-16351-00	9- 8	156-22127-00	16-16	43G-23126-L0	19- 2	39W-23435-00-98	18- 6
	34-20	43G-14412-00	3-18	1W1-16356-01	9-21	2K6-22128-01	16-14	122-23129-00	19-18	1E6-23441-00	18- 8
	34-25	43G-14422-00	3-52	353-16357-00	9-16	23X-22129-00	16-38		19-43	43M-23489-L0	19-57
43G-11635-00	2- 8	26A-14436-00	3-35	1W1-16358-00	9-18	5X4-22141-01	16-18	43G-23136-L0	19-27	43G-24110-00	20- 1
	34- 7	43G-14436-00	3-42	43G-16371-00	9- 5	39W-22151-00	16-17	43G-23141-L0	19-14	5X6-2412F-00	20-15
43G-11636-00	2- 8	43G-14437-00	3-50	3R3-16380-02	9-22	43G-2217A-00	16-26		19-39	24X-24144-00	20- 5
	34-12	43G-14451-00	3-26	43G-17121-00	10- 2	23X-2217F-00	16-36	43G-23141-10	33- 2	5X6-2415F-01	20-18



NUMERICAL INDEX

PART NO.	REF. NO.	PART NO.	REF. NO.	PART NO.	REF. NO.	PART NO.	REF. NO.	PART NO.	REF. NO.	PART NO.	REF. NO.
90460-36174	3-46	91810-03014	1-15	92901-06100	15-12	93306-20562	2-13	95301-06600	9-20	97701-40120	27-18
90460-43053	5-17	91830-21014	6- 5		16- 7	93306-30303	10-21		23-12	97701-40510	29- 9
90460-49058	3-10		7- 4		16-52	93306-30411	10-24	95301-06700	24-26	97702-40520	27- 3
90460-64065	3-11	92501-06008	5- 9		19-51	93310-316H6	2-12		24-31		27- 9
90462-05005	3- 9	92501-06012	5-12		20- 8		34-31		25-25	97801-03008	20-23
	32-16		16-51		20-17	93310-522M4	2- 7	95301-08700	25-28	98501-04005	17- 3
90465-16258	24-33		20-16		20-20		34-30	95302-06600	30-12	98501-04014	26- 9
90467-10008	20-28		20-19		21- 8	93311-31515	10-23		30-19	98501-04016	26- 5
90467-20050	3-15	92501-06014	7-16		28- 8	93311-41530	10-22	95311-06600	19-50	98501-04030	26- 7
90468-26048	8- 6		24-24		32-30	93315-21429	9-26	95311-08600	1- 8	98501-05010	3-40
90480-12053	29-10		26-13	92901-06200	7-19	93315-31732	16-37		19-62	98501-05016	4- 8
90480-18354	20- 6	92501-06020	7-18		9-19	93317-32034	16-27	95601-05100	3-22	98501-05020	32- 6
90480-22263	17-37		15- 3		24-27	93317-32231	16- 9	95601-06100	31- 6	98501-05025	32-19
90480-22269	5-18	92501-06025	15- 8		24-32	93332-00008	18- 2		31-14	98501-05030	18-13
90501-10245	25-21		15-11		25-19	93332-00023	18- 3	95611-08100	23-26	98502-04035	30- 7
90501-12081	8-15	92501-06035	24-29	92901-08100	5-22	93399-99916	17- 4	95611-10100	16-48	98506-04018	19-58
90501-20124	9- 9		30- 9		19-61		17-13	95702-10500	8-20	98506-05016	24- 7
90504-03033	3-30	92501-08010	6-15		21-10	93410-17037	8-11	95702-12100	27- 5	98506-05018	31-15
90506-17328	22- 7	92502-06016	30-16	92901-08600	25-11	93410-20038	10- 8	95801-06012	21- 4	98506-05020	31- 7
	23- 8		32- 4	92901-10200	13-21	93410-22039	10-19	95801-06016	21-14	98506-05022	31-21
90507-20030	5- 4		32-10	92902-05100	4- 9	93410-30012	8- 8	95801-06020	16-24	98606-04012	24- 6
90507-29009	25-29	92506-06008	7- 7	92902-06100	30-17	93430-09038	25-15		16-59	98902-06018	20-13
90508-14426	9-23	92506-06016	15-15		30-18	93430-10016	12- 9	95801-08012	13-13		
90508-20451	25- 9	92506-06025	7- 3	92902-12600	25-14	93440-15012	8- 3	95802-08012	13- 5		
90508-20583	25- 6		7-11	92906-05100	31- 8		10-17		13-25		
90508-26427	8-10	92506-06035	7-13		31-16	93440-30113	17- 5	95802-08045	16-22		
90508-26435	11- 3	92701-06012	10-29	92906-06100	15-16	93440-45135	17-14	95811-08045	13-15		
90508-29361	12- 8	92901-04100	26- 6	92906-06600	7-12	93503-16010	17-24	95811-08095	13- 8		
90508-32662	25-16		26- 8		7-14	93507-32009	9-17	95811-10050	13-18		
90560-11189	12- 7		26-10		15-17	93604-16092	8-16	95821-08016	13- 7		
90560-15227	22- 2	92901-04200	3-34	93101-12060	12- 5	93604-21193	9-27	95821-08035	18- 9		
90560-17231	23- 2		3-37	93102-14308	9-25	93604-26132	17- 9	95821-08040	18-10		
90560-17232	9-12		3-44	93102-17263	8-12	93608-25150	17-17	97301-06010	32-29		
91311-06016	24-34	92901-04600	29- 6	93102-25331	2-15	93700-06004	12- 6	97301-06012	3-47		
91316-06030	6- 8		30- 8	93102-26042	10-25	93700-06005	16-32		21- 7		
91316-06035	6- 6	92901-05100	32- 7	93103-32099	2-14		16-41	97301-06016	14- 6		
91316-06045	6- 9		32-20	93104-11056	22-11		16-46		16- 6		
91316-06050	6- 7	92901-05600	3-23	93104-18077	17-15	94109-212F8	22-15		20- 7		
91401-16015	16- 5		3-41	93106-22019	16-11	94112-182F7	23-20		25-24		
91401-20015	24-18		16- 8	93106-25022	23- 5	94211-18209	23-21	97301-06025	3- 7		
	25-20		18-14	93108-35004	16-13	94230-21126	22-16	97301-08016	21- 9		
91401-25015	25-13		32- 8	93109-20029	16-28	94325-18043	23-22	97301-08030	5-21		
91401-25020	25- 4	92901-06100	3-48	93210-14104	7- 6	94330-21088	22-17	97321-06012	5- 6		
91401-25022	23-16		5- 7	93306-00106	11-11	94416-21389	22-13		10-27		
91401-40020	8-19		5-13	93306-20203	22- 3	94418-18388	23-18		28- 7		
91701-05020	16- 4		14- 7	93306-20205	22- 4	94585-20106	23-31	97321-06020	12- 4		
91701-08032	25-10		15- 4	93306-20310	23- 3	94685-20001	23-32	97602-03108	3- 4		
91702-12040	8-17		15- 9	93306-20316	23- 4	95301-05600	18-15	97701-40120	27-14		

PARTS NAME INDEX

DESCRIPTION	REF. NO.	DESCRIPTION	REF. NO.	DESCRIPTION	REF. NO.
ABSORBER 2	1- 2	BEARING, cylindrical	16- 9	BOLT, flange	16-22
*	1-10	*	16-27	*	16-24
ABSORBER 3	1- 3	*	16-37	*	16-59
AIR SCREW SET	4-11	*	34-30	*	18- 9
AIR VALVE COMP.	19-21	*	34-31	*	18-10
*	19-46	BODY, cap	20- 2	*	21- 4
ARM, float	4-22	BODY, headlight	29- 4	*	21-14
ARM, relay	16-26	BOLT	3- 7	BOLT, stopper	11- 4
AXLE, drive	10- 9	*	3-47	BOLT, stud	1- 6
AXLE, main (12T)	10- 1	*	5- 6	*	1-12
AXLE, wheel	22-20	*	5-21	*	1-13
*	23-33	*	6- 6	BOLT, washer based	13- 9
BALL	8-16	*	6- 7	BOLT, with washer	14- 3
*	9-17	*	6- 8	*	14- 5
BAND	3-31	*	6- 9	*	14- 9
*	19-56	*	10-27	*	15-14
*	19-57	*	12- 4	*	20-10
*	32- 2	*	14- 6	BOOT	19-55
*	32-27	*	16- 6	BOOT, cable	24-14
BAND, battery	3-16	*	16-31	*	24-20
*	3-45	*	16-40	BOSS, clutch	9- 5
BAND, rim (2.50-18)	23-22	*	16-45	BOSS, kick crank	8-14
BAND, rim (3.00-21)	22-17	*	17-25	BOX COMP.	15-13
BAND, switch cord	30-13	*	17-30	BRACKET, carrier 2	21-13
*	31-18	*	19-59	BRACKET, engine 2	13- 6
*	32-13	*	20- 7	BRACKET, licence	30-15
*	32-14	*	21- 7	BRACKET, meter	28- 6
BAND, tank fitting 1	20-14	*	21- 9	BRACKET, rear upper 1	13-14
BAR, shift fork guide 1	11- 9	*	22-10	BRACKET, seat	20-15
BAR, shift fork guide 2	11-10	*	23-11	*	21- 5
BATTERY ASSY	32-21	*	23-25	*	21- 6
BEARING	2-13	*	24-21	BRAKE SHOE COMP.	22- 6
*	11-11	*	24-34	*	23- 7
*	17- 4	*	25-24	BULB (6V-10/3W)	30- 2
*	17-13	*	25-27	BULB (6V-10W)	27- 4
*	18- 2	*	28- 7	*	27-10
*	18- 3	*	31- 5	*	27-15
BEARING (B6202)	22- 4	*	31-13	*	27-19
BEARING (B6202RS)	22- 3	*	32-29	BULB, headlight	29- 2
BEARING (B6203)	23- 4	BOLT, cap	19-20	BUMP, stop	17-10
BEARING (B6203RS)	23- 3	*	19-45	BUSH	13- 3
BEARING (B6303Z)	10-21	BOLT, flange	13- 5	*	13-23
BEARING (B6304)	10-24	*	13- 7	BUSH, solid	16-10
BEARING, cylindrical	2- 7	*	13- 8	*	16-15
*	2-12	*	13-13	C.D.I. UNIT ASSY	32- 1
*	9-26	*	13-15	CABLE ADJUST SCREW SET	4-26
*	10-22	*	13-18	CABLE, brake	24-13
*	10-23	*	13-25	CABLE, clutch	24-19

PARTS NAME INDEX

DESCRIPTION	REF. NO.	DESCRIPTION	REF. NO.	DESCRIPTION	REF. NO.
CABLE, throttle 1	24-11	COIL, charge	26- 2	DAMPER, locating 1	15-10
CAMSHAFT	22- 8	COIL, lighting 1	26- 3	*	20-29
*	23- 9	COIL, pulser	26- 4	DAMPER, seat	21- 3
CAP	18-17	COLLAR	5-19	DAMPER, sub tank	17-35
CAP, case	17- 7	*	6- 4	DUCT	3-50
CAP, cleaner case 1	3-18	*	10-31	ELEMENT, air cleaner	3-26
CAP, cleaner case 2	3-52	*	14- 2	EMBLEM	3-13
CAP, grip lower	24- 4	*	16-29	EMBLEM 1	3-19
CAP, grip upper	24- 3	*	16-30	*	15- 6
CAP, rubber	24-12	*	16-39	EMBLEM, headlight	29-12
CAP, silencer	5-15	*	17-29	EMBLEM, rear arm	16-53
CAP, wire	24- 5	*	17-34	EXHAUST PIPE ASSY 1	5- 1
CARBURETOR ASSY 1	4- 1	*	18-16	FENDER, front	14- 1
CARRIER BOX ASSY	21-12	*	20-12	FENDER, rear	14- 4
CASE, air cleaner 1	3-17	*	23-28	FLASHER RELAY ASSY	32-31
CASE, chain 2	16-56	*	25-12	FLOAT	4- 2
CHAIN (DID520DS-106L)	23-31	*	30- 6	FOOTREST 1	25- 1
CHAIN CASE COMP.	16-49	CONNECTING ROD ASSY	34-26	FOOTREST 2	25- 2
CHAMBER, air	3-12	CONNECTOR, suction pipe	6- 2	FORK, shift 1	11- 5
CHAMBER, air 2	3-39	COVER	17-18	FORK, shift 2	11- 6
CIRCLIP	8- 3	*	17-28	FORK, shift 3	11- 7
*	8- 8	COVER, ball race 2	18- 4	FRAME COMP.	13- 1
*	8-11	COVER, crankcase 1	7- 1	FRONT FLASHER LIGHT ASSY 1	27- 1
*	10- 8	COVER, crankcase 2	7- 9	FRONT FLASHER LIGHT ASSY 2	27- 7
*	10-17	COVER, crankcase 3	7-15	FRONT FORK ASSY (L.H)	19- 1
*	10-19	COVER, hub dust	23-29	FRONT FORK ASSY (R.H)	19-26
*	12- 9	COVER, kick lever	8-18	FRONT STOP SWITCH ASSY	31-19
*	17- 5	COVER, seat	21- 2	FUEL COCK ASSY 1	20-21
*	17-14	COVER, shift pedal	12- 3	FUEL TANK COMP.	20- 1
*	17-24	COVER, side 1	15- 1	FUSE (6V-10A)	32-26
*	25-15	COVER, side 2	15- 5	FUSE HOLDER ASSY	32-25
CLAMP	3- 9	COVER, thrust 1	16-14	GASKET	6-13
*	24-33	COVER, thrust 2	16-38	*	7- 8
*	32-16	CRANK 1	2- 2	*	19-17
CLAMP, hose	3-10	CRANK 2	2- 3	*	19-42
*	3-11	CRANKCASE 1	6- 1	*	20-24
*	3-46	CRANKCASE 2	6- 3	GASKET 1	7-10
*	5-17	CRANKSHAFT ASSY	2- 1	GASKET, cap	20- 3
CLIP	3-15	CROWN, handle	18- 6	GASKET, crankcase cover 1	7- 2
*	8- 6	CYLINDER 1	1- 9	GASKET, cylinder	1-11
*	20-28	CYLINDER COMP., front fork	19-10	GASKET, cylinder head 1	1- 4
*	28- 4	*	19-35	*	1- 5
CLIP, piston pin	2-11	DAMPER	28- 5	GASKET, drain plug	19-18
*	34- 5	*	29-11	*	19-43
*	34-10	*	30- 4	GASKET, exhaust pipe	5- 2
*	34-15	DAMPER 2	28- 2	GASKET, float chamber	4-17
*	34-20	DAMPER SUB ASSY	17- 2	GASKET, muffler	5-16
*	34-25	DAMPER, headlight stay	29- 5	GASKET, valve seat	3- 5

PARTS NAME INDEX

DESCRIPTION	REF. NO.	DESCRIPTION	REF. NO.	DESCRIPTION	REF. NO.
GEAR UNIT ASSY	22-19	HORN	32-28	NUT	18- 5
GEAR, 1st wheel (33T)	10-10	HOSE	3-14	*	18- 7
GEAR, 2nd pinion (14T)	10- 2	*	6-10	*	18-15
GEAR, 2nd wheel (26T)	10-11	*	20- 4	*	19-50
GEAR, 3rd pinion (16T/20T)	10- 3	*	20-27	*	19-62
GEAR, 3rd wheel (24T)	10-12	*	32-24	*	23-12
GEAR, 4th wheel (25T)	10-13	HUB, front	22- 1	*	24-22
GEAR, 5th pinion (25T)	10- 4	HUB, rear	23- 1	*	24-26
GEAR, 5th wheel (27T)	10-14	IGNITION COIL ASSY	32- 9	*	24-31
GEAR, 6th pinion (24T)	10- 5	INNER TUBE COMP.1	19- 8	*	25-25
GEAR, 6th wheel (21T)	10-15	*	19-33	*	25-28
GEAR, kick (25T)	8- 5	JET, main (#330)	4- 3	*	26-15
GEAR, kick idle (25T)	8- 1	JET, pilot (# 55)	4-18	*	30-12
GEAR, primary drive (20T)	9- 1	JOINT, air cleaner 1	3-21	*	30-19
GRAPHIC SET	20-30	JOINT, cable	24-17	NUT, adjusting	17-16
GRIP (L.H)	24- 2	JOINT, carburetor	3- 6	NUT, ajusting	25-23
GRIP (R.H)	24- 8	JOINT, chain	23-32	NUT, flange	8-20
GROMMET	5-18	KEY, straight	2-16	*	27- 5
*	17-37	KEY, woodruff	2-17	NUT, self-locking	13-10
*	20- 6	KICK AXLE ASSY	8- 4	*	13-16
*	24-10	KICK CRANK ASSY	8-13	*	16-19
*	29-10	LENS ASSY	29- 1	*	16-23
GUARD, brush 1	24-23	LENS, flasher	27- 2	*	16-35
GUARD, brush 2	24-28	*	27-17	*	16-44
GUARD, chain	16-54	LENS, flasher 2	27- 8	*	17-26
GUARD, engine 1	13-12	*	27-13	*	17-33
GUARD, flap	14- 8	LENS, taillight	30- 3	*	21-15
GUIDE	3-27	LEVER 1	31- 3	*	22-22
GUIDE, cable	18- 1	LEVER 2	31-11	*	23-35
*	19-63	LEVER, camshaft	23-10	NUT, u	3-22
GUIDE, spring 1	17-22	LEVER, camshaft 1	22- 9	*	16-48
HANDLEBAR	24- 1	MAIN SWITCH ASSY	32-17	*	23-26
HEAD, cylinder 1	1- 1	METAL, slide 1	19- 5	*	31- 6
HOLDER	6-14	*	19-30	*	31-14
HOLDER, axle	19-52	NEEDLE SET	4- 6	O-RING	4-19
HOLDER, cable	18-11	NEEDLE VALVE SET	4-23	*	7- 6
HOLDER, cable 1	18-12	NIPPLE, grease	16-32	*	19-22
HOLDER, damper	20- 5	*	16-41	*	19-23
HOLDER, guide	3-25	*	16-46	*	19-47
HOLDER, handle upper	18- 8	NOZZLE, main	4- 4	*	19-48
HOLDER, kick gear	8- 7	NUT	1- 8	OIL SEAL	2-14
HOLDER, lever 1	31- 1	*	1-14	*	2-15
HOLDER, lever 2	31- 9	*	9- 3	*	8-12
HOLDER, lever lower	31-10	*	9-15	*	9-25
HOLDER, lever lower 1	31- 2	*	9-20	*	10-25
HOLDER, sub tank	17-36	*	10-33	*	12- 5
HOOK	3-35	*	13-19	*	16-11
*	3-42	*	17-20	*	16-13

PARTS NAME INDEX

DESCRIPTION	REF. NO.	DESCRIPTION	REF. NO.	DESCRIPTION	REF. NO.
OIL SEAL	16-28	PISTON (1.00MM O/S)	2- 8	PLUG, straight screw	6-12
*	17-15	*	34-22	PRIMARY DRIVEN GEAR COMP.	9- 4
*	19- 4	PISTON (STD)	2- 8	PULLER, chain 1	23-30
*	19-29	*	34- 2	PUSH LEVER ASSY	9-22
*	22-11	PISTON ASSY (1ST O/S)	34- 6	REAR ARM COMP.	16- 1
*	23- 5	PISTON ASSY (2ND O/S)	34-11	REAR FLASHER LIGHT ASSY	27-16
PEDAL, brake	25- 7	PISTON ASSY (3RD O/S)	34-16	REAR FLASHER LIGHT ASSY 1	27-12
*	25- 8	PISTON ASSY (4TH O/S)	34-21	RECTIFIER ASSY	32- 5
PIN, clevis	8-17	PISTON ASSY (STD)	34- 1	REED VALVE ASSY	3- 1
*	16- 4	PISTON RING SET (1ST O/S)	2- 9	REED, valve	3- 2
*	23-14	*	34- 8	RIM (1.60-21)	22-13
*	24-15	PISTON RING SET (2ND O/S)	2- 9	RIM (1.85-18)	23-18
*	25- 3	*	34-13	RIM, taillight	30- 5
*	25-10	PISTON RING SET (3RD O/S)	2- 9	RING	4-21
*	25-18	*	34-18	RING, piston	19-12
PIN, cotter	8-19	PISTON RING SET (4TH O/S)	2- 9	*	19-37
*	16- 5	*	34-23	RING, snap	19- 3
*	23-16	PISTON RING SET (STD)	2- 9	*	19-28
*	24-18	*	34- 3	RIVET, blind	3-33
*	25- 4	PISTON, front fork	19- 9	*	3-36
*	25-13	*	19-34	*	3-43
*	25-20	PLATE	4- 5	*	16-57
PIN, crank 1	2- 5	*	4-14	ROD, brake	25-17
*	34-28	PLATE 1	16- 2	ROD, connecting	2- 4
PIN, dowel	1-15	PLATE 2	16- 3	*	34-27
*	6- 5	PLATE, bearing cover	10-28	ROD, connecting 1	16-36
*	7- 4	PLATE, brake shoe	22- 5	ROD, push	17- 8
*	9-27	*	23- 6	ROD, push 1	9-21
*	12- 6	PLATE, cleaner case fitting	3-32	ROD, push 2	9-16
*	17- 9	PLATE, clutch 2	9- 6	ROTOR ASSY	26-12
*	17-17	PLATE, cover	10-26	SCREW	20-26
PIN, float	4-24	PLATE, element fitting	3-28	SCREW, bind	20-13
PIN, piston	2-10	PLATE, friction	9- 7	SCREW, flat head	10-29
*	34- 4	PLATE, indicator	22-12	SCREW, oval head	24- 6
*	34- 9	*	23-17	SCREW, pan head	3-40
*	34-14	PLATE, pressure 1	9- 8	*	4- 8
*	34-19	PLATE, push	9-18	*	5- 9
*	34-24	PLUG	6-11	*	5-12
PIN, straight	11- 8	*	19-25	*	6-15
PIPE	4-10	*	19-53	*	7- 3
*	4-13	*	24-35	*	7- 7
PIPE, outlet	5-11	PLUG CAP ASSY	32-11	*	7-11
PISTON (0.25MM O/S)	2- 8	PLUG, drain	19-19	*	7-13
*	34- 7	*	19-44	*	7-16
PISTON (0.50MM O/S)	2- 8	PLUG, oil level	7- 5	*	7-18
*	34-12	PLUG, screw	4-20	*	15- 3
PISTON (0.75MM O/S)	2- 8	PLUG, spark (CHAMPION N-86)	1-16	*	15- 8
*	34-17	PLUG, spark (CHAMPION QN86)	1-16	*	15-11

PARTS NAME INDEX

DESCRIPTION	REF. NO.	DESCRIPTION	REF. NO.	DESCRIPTION	REF. NO.
SCREW, pan head	15-15	SEAT, battery	32-23	SPRING, tension	23- 8
*	16-51	SEAT, spring	25-22	*	25-29
*	17- 3	SEAT, spring lower	17-23	SPRING, throttle valve	4-15
*	18-13	SEAT, spring upper	17-19	SPRING, torsion	8-10
*	19-58	*	19-15	*	9-23
*	20-16	*	19-40	*	11- 3
*	20-19	SEMI-DOUBLE SEAT ASSY	21- 1	*	12- 8
*	20-23	SHAFT, pivot	16-18	*	25- 6
*	24- 7	SHIFT CAM ASSY	11- 1	*	25- 9
*	24-24	SHIFT PEDAL ASSY	12- 2	*	25-16
*	24-29	SHIFT SHAFT ASSY	12- 1	SPROCKET, drive (11T)	10-30
*	26- 5	SHIM (0.3T)	16-16	SPROCKET, drive (12T)	10-30
*	26- 7	SHIM (0.5T)	8- 2	SPROCKET, drive (13T)	10-30
*	26- 9	SHOCK ABSORBER ASSY, rear	17- 1	SPROCKET, driven (44T)	23-24
*	26-11	SILENCER, exhaust	5- 8	SPROCKET, driven (46T)	23-24
*	26-13	SOCKET CORD ASSY	29- 3	STAND, side	25-26
*	30- 7	SPACER	8- 9	STARTER SET	4-12
*	30- 9	*	9-12	STATOR ASSY	26- 1
*	30-16	*	12- 7	STAY, chamber	20-18
*	31- 7	*	19-16	STAY, flasher 1	27- 6
*	31-15	*	19-41	STAY, flasher 2	27-11
*	31-21	*	22- 2	STAY, muffler 2	5- 5
*	32- 4	*	23- 2	STOP SWITCH ASSY	32-15
*	32- 6	SPACER, bead	22-18	STOPPER LEVER ASSY	11- 2
*	32-10	*	23-23	STOPPER, reed valve	3- 3
*	32-19	SPANNER, special	21-17	SUPPORT, bump stop	17-11
SCREW, pan head with washer	3- 4	SPEEDOMETER ASSY	28- 1	SUPPORT, chain	16-21
SCREW, panhead tapping	27-14	SPEEDOMETER CABLE ASSY	28-10	SWITCH, handle 1	31-17
*	27-18	SPINDLE, taper	19-13	SWITCH, handle 4	31-20
*	29- 9	*	19-38	TAILLIGHT ASSY	30- 1
SCREW, rim adjuster	29- 8	SPOKE SET, front	22-14	TENSIONER	13- 2
SCREW, tapping	27- 3	SPOKE SET, rear	23-19	*	13-22
*	27- 9	SPRING (K=5.0)	33- 1	THROTTLE SCREW SET	4- 7
SCREW, with washer	9-10	SPRING (K=5.5)	17-21	TIRE	22-15
*	16-50	SPRING (K=6.0)	33- 1	*	23-20
*	16-55	SPRING, compression	3-30	TOOL KIT	21-16
SEAL	3-20	*	8-15	TOP, mixing chamber	4-25
*	3-24	*	9- 9	TUBE	23-21
*	3-29	*	25-21	TUBE (3.00-21)	22-16
*	3-38	SPRING, front fork (K=0.275)	33- 2	TUBE, outer 1	19- 2
*	3-51	SPRING, front fork (K=0.3)	19-14	TUBE, outer 2	19-27
SEAL, camshaft	23-13	*	19-39	TUBE, throttle guide	24- 9
SEAL, cock	20-22	SPRING, front fork (K=0.325)	33- 2	UNDER BRACKET COMP.	19-54
SEAL, dust	17- 6	SPRING, screw	29- 7	UPPER BRACKET SUB ASSY	17-12
*	19- 6	SPRING, sub	19-11	VALVE COMP.	19-24
*	19-31	*	19-36	*	19-49
SEAL, guard	16-17	SPRING, tension	5- 4	VALVE, throttle 1	4-16
SEAT, battery	32-22	*	22- 7	VOLTAGE REGULATOR ASSY	32- 3

PARTS NAME INDEX

DESCRIPTION	REF. NO.	DESCRIPTION	REF. NO.	DESCRIPTION	REF. NO.
WASHER	2- 6	WASHER, plate	16-42	WASHER, spring	16- 7
*	5- 3	*	16-43	*	16-52
*	10- 6	*	16-47	*	19-51
*	10-20	*	16-58	*	19-61
*	34-29	*	17-27	*	20- 8
WASHER, claw	13-11	*	17-31	*	20-17
WASHER, lock	9-14	*	17-32	*	20-20
*	10-32	*	18-14	*	21- 8
WASHER, oil seal	19- 7	*	19-60	*	21-10
*	19-32	*	20- 9	*	26- 6
WASHER, plain	3-34	*	20-11	*	26- 8
*	3-37	*	20-25	*	26-10
*	3-44	*	21-11	*	28- 8
*	7-19	*	22-21	*	30-17
*	9-19	*	23-15	*	30-18
*	13-21	*	23-27	*	31- 8
*	24-27	*	23-34	*	31-16
*	24-32	*	24-16	*	32- 7
*	25-19	*	24-25	*	32-20
WASHER, plate	1- 7	*	24-30	*	32-30
*	3- 8	*	25- 5	WIRE HARNESS ASSY	32-12
*	3-23	*	25-11		
*	3-41	*	25-14		
*	3-49	*	26-14		
*	5-10	*	26-16		
*	5-14	*	28- 3		
*	5-20	*	28- 9		
*	7-12	*	29- 6		
*	7-14	*	30- 8		
*	7-17	*	30-10		
*	9-11	*	30-11		
*	9-13	*	31- 4		
*	9-24	*	31-12		
*	10- 7	*	32- 8		
*	10-18	*	32-18		
*	13- 4	WASHER, plate (1.0T)	10-16		
*	13-17	WASHER, special 1	30-14		
*	13-20	WASHER, spring	3-48		
*	13-24	*	4- 9		
*	15- 2	*	5- 7		
*	15- 7	*	5-13		
*	15-17	*	5-22		
*	16- 8	*	9- 2		
*	16-12	*	14- 7		
*	16-20	*	15- 4		
*	16-25	*	15- 9		
*	16-33	*	15-12		
*	16-34	*	15-16		