

# **YAMAHA**

## **PARTS CATALOGUE**

### **IT250H (4V5)**

**114V5-300E1**



# FOREWORD

This Parts Catalogue is related to the parts in use for the Yamaha IT 250H (4V5).  
When you are ordering replacement parts for the IT 250H (4V5), refer to this Parts Catalogue and quote both part numbers and part names correctly.

1. Modifications or additions which have been made after issue of the Parts Catalogue will be announced in the Yamaha Parts News.

It is advisable that according to the Yamaha Parts News you make necessary corrections to the Parts Catalogue on hand to keep it up-to-date.

2. Abbreviations

The following abbreviations are used in this Parts Catalogue.

- U.R. Use size (thickness) and/or number as required.
- U.N. Use as many as you need.
- A.P. Alternate Parts
- L.M. Local Made
- F# Frame No. (Applicable machine No.)

3. The parts marked with (\*) in the parts number column of this Catalogue are not supplied with by Yamaha, those have to be found locally.

4. Parts, which are to be supplied in the form of assemblies, are listed with an indentation of one letter's space, and a dot ( . ) is put against the name of each part.

**EXAMPLE** CARBURETOR ASS'Y  
     . JET, pilot  
     . NOZZLE, main

5. Indication of No. of constituent parts for assembly

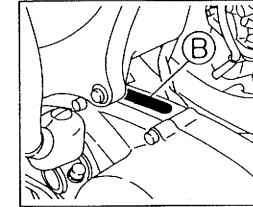
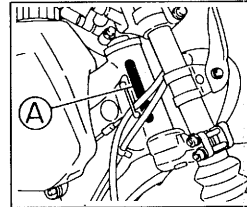
The numeral appearing to the right of each constituent part under the description indicates the quantity of such parts for each individual assembly unit.

**EXAMPLE**

Part No.	Description	Q'ty	Remarks
2F5-83310-60	FRONT FLASHER LIGHT ASS'Y	2	
115-83311-60	. BULB (6V-18W)	1	
1M1-83309-60	. REFLECTOR	1	

6. Initial Serial No. and Color Code

(A)	Frame Serial No.	4V5-000101 and following
(B)	Engine Serial No.	4V5-000101 and following



Color Code	Color Name	Abbreviate
	Sky Blue	

7. Applicable colors of graphics are represented in the "Remarks" column by the letter(s) appropriately picked out of the full word(s) showing such colors.

**EXAMPLE**

Part No.	Description	Q'ty	Remarks
2N4-24110-00-X5	FUEL TANK COMP.	1	MAXIM RED
3J1-24240-10	. GRAPHIC, fuel tank set	1	for MXR

# CONTENTS

## ENGINE

Fig. 1	Cylinder	1
Fig. 2	Crankshaft · Piston	2
Fig. 3	C.D.I. Magneto	3
Fig. 4	Intake	4
Fig. 5	Carburetor	6
Fig. 6	Exhaust	8
Fig. 7	Crankcase	9
Fig. 8	Crankcase Cover	10
Fig. 9	Kick Starter	11
Fig. 10	Clutch	12
Fig. 11	Transmission	14
Fig. 12	Shift Cam · Fork	16
Fig. 13	Shift Shaft · Pedal	17

## CHASSIS

Fig. 14	Frame	18
Fig. 15	Front Fender · Rear Fender	19
Fig. 16	Side Cover	20
Fig. 17	Rear Arm	21
Fig. 18	Rear Suspension	23
Fig. 19	Steering	25
Fig. 20	Front Fork	26
Fig. 21	Fuel Tank	28
Fig. 22	Seat	30
Fig. 23	Front Wheel	31
Fig. 24	Rear Wheel	32
Fig. 25	Handlebar · Cable	34
Fig. 26	Stand · Footrest	36
Fig. 27	Meter	38
Fig. 28	Headlight	39

Fig. 29	Taillight	40
Fig. 30	Electrical 1	41
Fig. 31	Handle Switch · Lever	42

## ALTERNATE PARTS

Fig. 32	Alternate (Chassis)	43
---------	---------------------	----

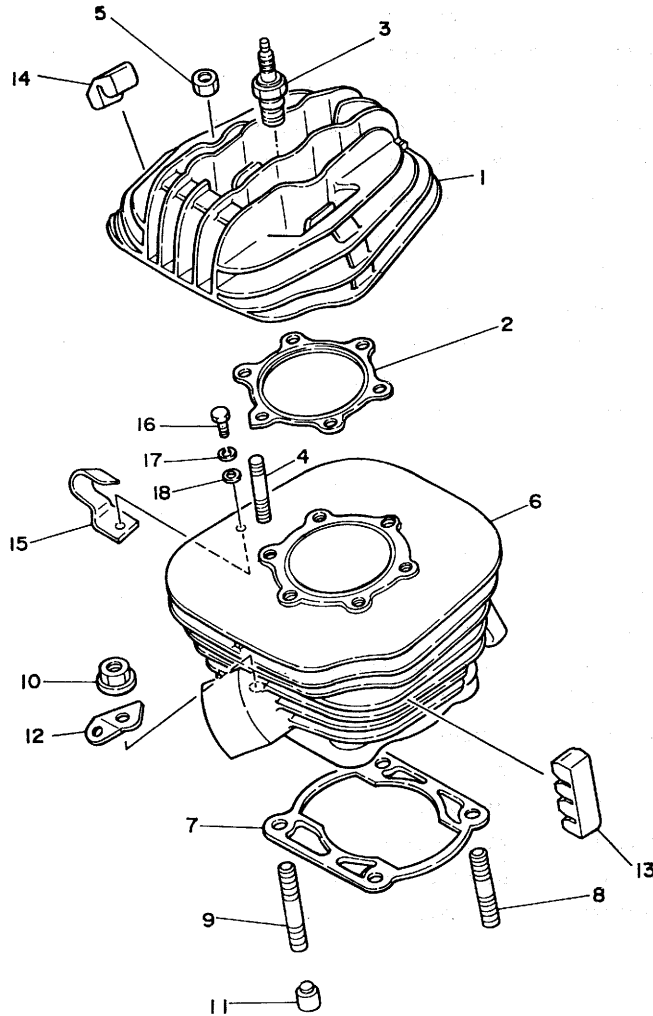
## REPAIR KIT

Fig. 33	Repair Kit	44
---------	------------	----

## INDEX

Numerical Index
Parts Name Index

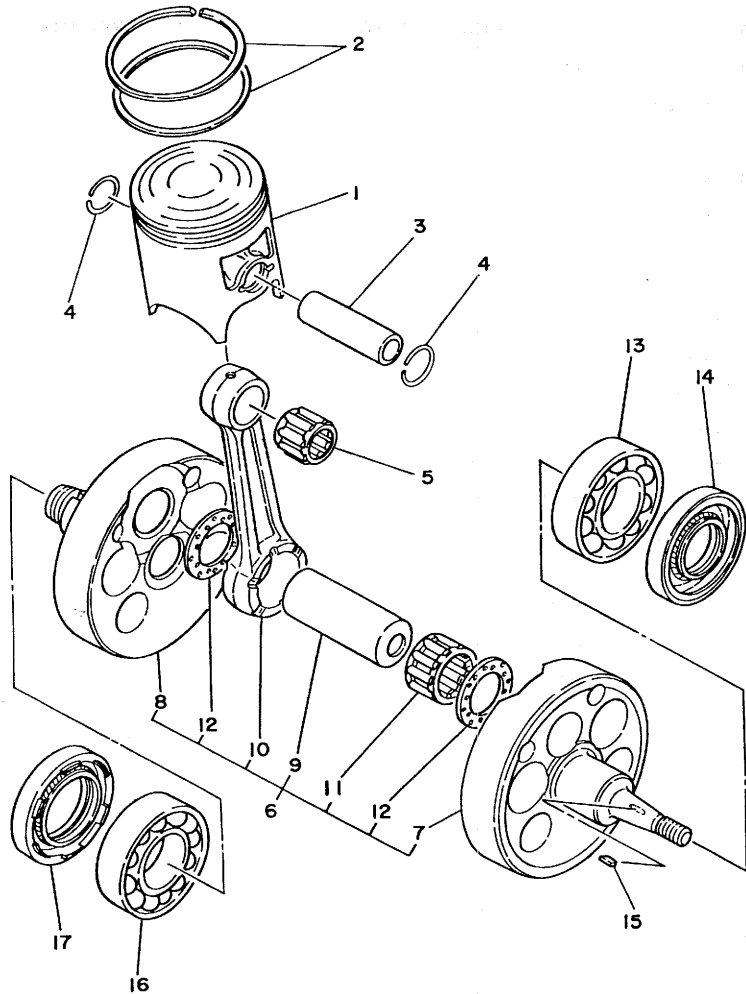
FIG. 1 CYLINDER



REF. NO.	PART NO.	DESCRIPTION	Q'TY	REMARKS
1	3R4-11111-00	HEAD, cylinder 1	1	
2	1W3-11181-00	GASKET, cylinder head 1	1	
3	*	PLUG, sPark (CHAMPION N2G)	1	LM
4	90116-08321	BOLT, stud	6	
5	90179-08299	NUT	6	
6	4V5-11311-00	CYLINDER 1	1	
7	3R4-11351-00	GASKET, cylinder	1	
8	90116-10313	BOLT, stud	2	
9	90116-10314	BOLT, stud	2	
10	90179-10292	NUT	4	
11	91830-24016	PIN, dowel	2	
12	3R4-14619-01	HOOK, sPring	1	
13	2N6-11127-00	ABSORBER 3	2	
14	4V5-11161-00	ABSORBER 1	2	
15	4V5-1131E-00	HOLDER	1	
16	97301-06012	BOLT	1	
17	92901-06100	WASHER, sPring	1	
18	90201-06709	WASHER	1	

FWD

FIG. 2 CRANKSHAFT•PISTON

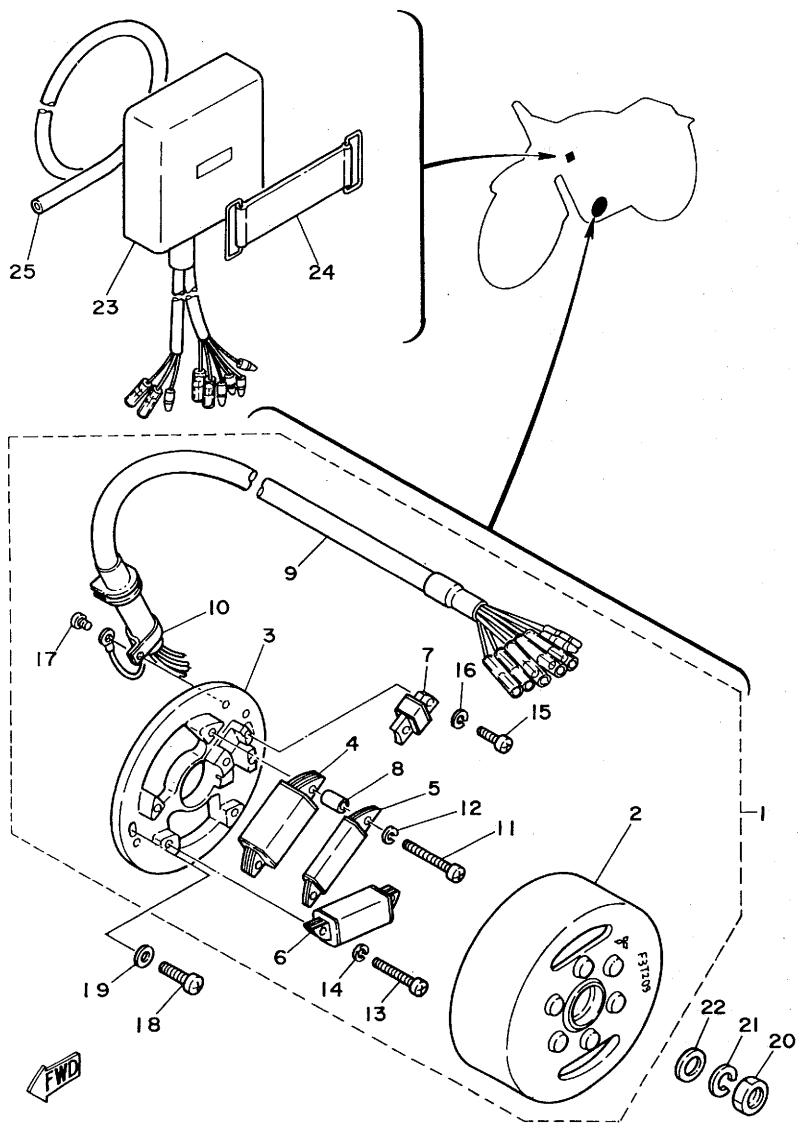


FWD

REF. NO.	PART NO.	DESCRIPTION	Q'TY	REMARKS
1	4V5-11631-00-95	PISTON (STD)	1	UR
	4V5-11631-00-97	PISTON (STD)	1	UR
	4V5-11635-00	PISTON (1ST O/S 0.25MM)	1	AP
	4V5-11636-00	PISTON (2ND O/S 0.50MM)	1	AP
	4V5-11637-00	PISTON (3RD O/S 0.75MM)	1	AP
	4V5-11638-00	PISTON (4TH O/S 1.00MM)	1	AP
2	2X7-11610-00	PISTON RING SET (STD)	1	
	2X7-11610-10	PISTON RING SET (1ST D/S)	1	AP
	2X7-11610-20	PISTON RING SET (2ND D/S)	1	AP
	2X7-11610-30	PISTON RING SET (3RD D/S)	1	AP
	2X7-11610-40	PISTON RING SET (4TH D/S)	1	AP
3	214-11633-00	PIN, Piston	1	
4	93450-19052	CIRCLIP	2	
5	93310-21874	BEARING, cylindrical	1	
6	4V5-11400-00	CRANKSHAFT ASSY	1	
7	4V5-11412-00	•CRANK 1	1	
8	3R4-11422-00	•CRANK 2	1	
9	2X4-11681-00	•PIN, crank 1	1	
10	498-11651-00	•ROD, connecting	1	
11	93310-42541	•BEARING, cylindrical	1	
12	90209-25085	•WASHER	2	
13	93306-20619	BEARING (B6206)	1	
14	93103-30092	OIL SEAL	1	
15	90280-03017	KEY, woodruff	1	
16	93306-20619	•BEARING (B6206)	1	
17	93103-40091	OIL SEAL	1	

B3

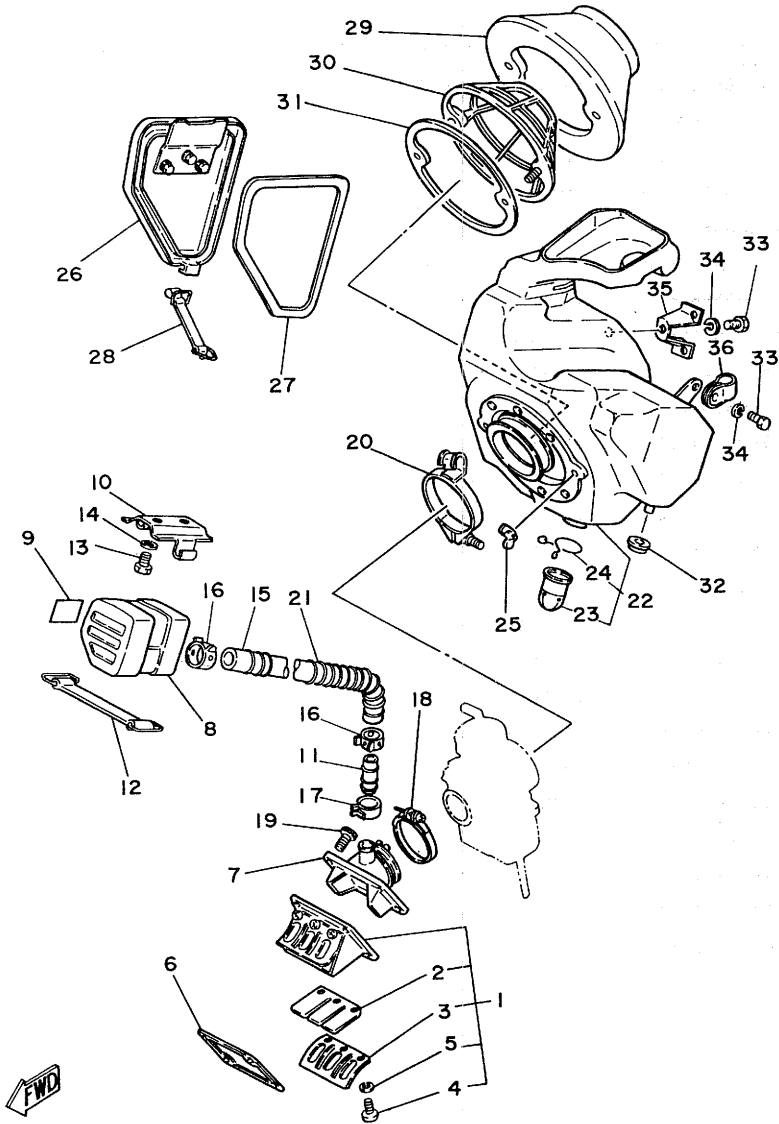
FIG. 3 C.D.I MAGNETO



REF. NO.	PART NO.	DESCRIPTION	Q'TY	REMARKS
1	4V5-85500-20	C.D.I. MAGNETO ASSY	1	
2	4V5-85550-20	•ROTOR ASSY	1	
3	4V5-85509-20	•BASE, magneto	1	
4	4V5-85511-20	•DIODE	1	
5	4V5-85512-20	•COIL, source	1	
6	1W2-85513-20	•COIL, lighting 1	1	
7	4V5-85580-20	•COIL, Pulser	1	
8	1W2-85516-20	•SPACER	2	
9	4V5-85515-20	•LEAD WIRE ASSY	1	
10	104-81328-20	•CLAMP	1	
11	98501-04035	•SCREW, Pan head	2	
12	92901-04100	•WASHER, spring	2	
13	98501-04030	•SCREW, Pan head	2	
14	92901-04100	•WASHER, spring	2	
15	98501-04014	•SCREW, Pan head	2	
16	92901-04100	•WASHER, spring	2	
17	110-81345-21	•SCREW, Pan head	1	
18	92501-06020	SCREW, Pan head	2	
19	92901-06600	WASHER, Plate	2	
20	90170-12067	NUT	1	
21	92901-12100	WASHER, spring	1	
22	90201-12593	WASHER, Plate	1	
23	4V5-85540-20	C.D.I. UNIT ASSY	1	
24	116-82131-00	BAND, battery	1	
25	90445-10183	HOSE	1	

**B4**

FIG. 4 INTAKE

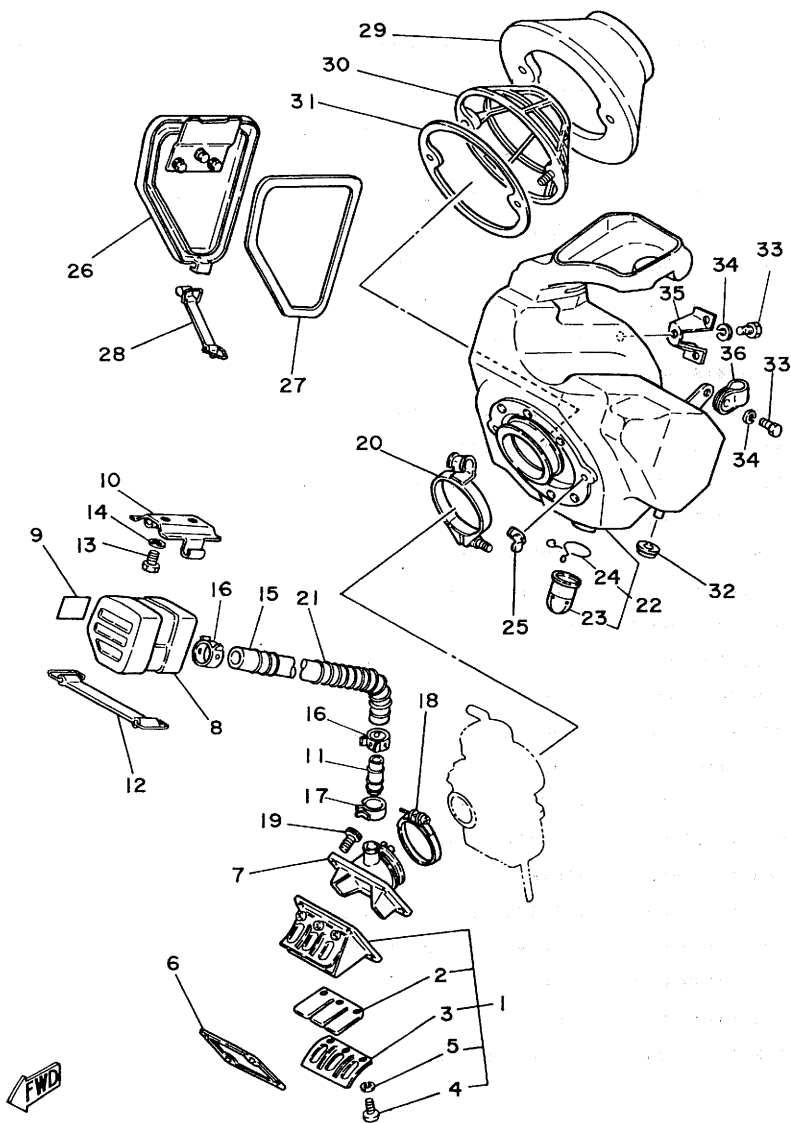


REF. NO.	PART NO.	DESCRIPTION	Q'TY	REMARKS
1	2X5-13610-00	REED VALVE ASSY	1	
2	2K7-13613-00	•REED, valve	2	
3	2X5-13616-00	•STOPPER, reed valve	2	
4	98501-03008	•SCREW, Pan head	6	
5	92901-03100	•WASHER, sPring	6	
6	2K7-13621-00	GASKET, valve seat	1	
7	4V3-13565-00	JOINT, carburetor	1	
8	4V3-13581-00	CHAMBER, air	1	
9	4V3-1441K-00	EMBLEM	1	
10	4V3-14493-00	STAY 1	1	
11	4V3-13584-01	PIPE, manifold	1	
12	1E6-82131-00	BAND, battery	1	
13	97301-06010	BOLT	2	
14	92901-06100	WASHER, sPring	2	
15	90445-21562	HOSE	1	
16	90467-20050	CLIP	2	
17	90468-08104	CLIP	1	
18	90460-51109	CLAMP, hose	1	
19	91316-06020	BOLT	4	
20	90460-68120	CLAMP, hose	1	
21	90501-14633	SPRING, comPrission	1	
22	4V5-W1441-00	AIR CLEANER CASE COMP.	1	
23	1W4-14457-00	•SEAL	1	
24	90467-20030	•CLIP	1	
25	90175-06012	NUT, wing	2	
26	4V5-14412-00	CAP, cleaner case 1	1	
27	4V5-14452-01	SEAL	1	
28	4V5-14455-00	BAND	1	

**B5**

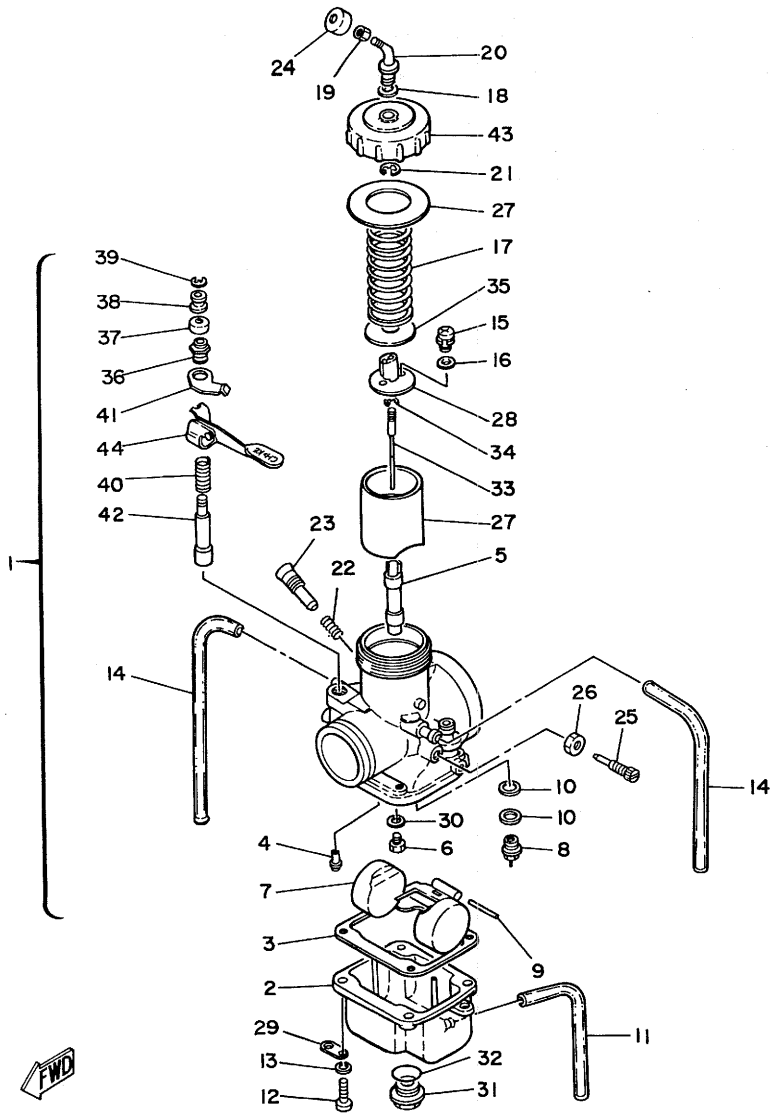


FIG. 4 INTAKE



REF. NO.	PART NO.	DESCRIPTION	Q'TY	REMARKS
29	3R4-W1442-01	ELEMENT, air cleaner	1	
30	3R4-14458-00	GUIDE	1	
31	4V4-14459-00	HOLDER, Guide	1	
32	90480-13197	GROMMET	1	
33	97301-06016	BOLT	4	
34	92901-06100	WASHER, sPring	4	
35	4V4-14484-00	PLATE, cleaner case fitting	1	
36	4V4-14499-00	STAY 2	1	

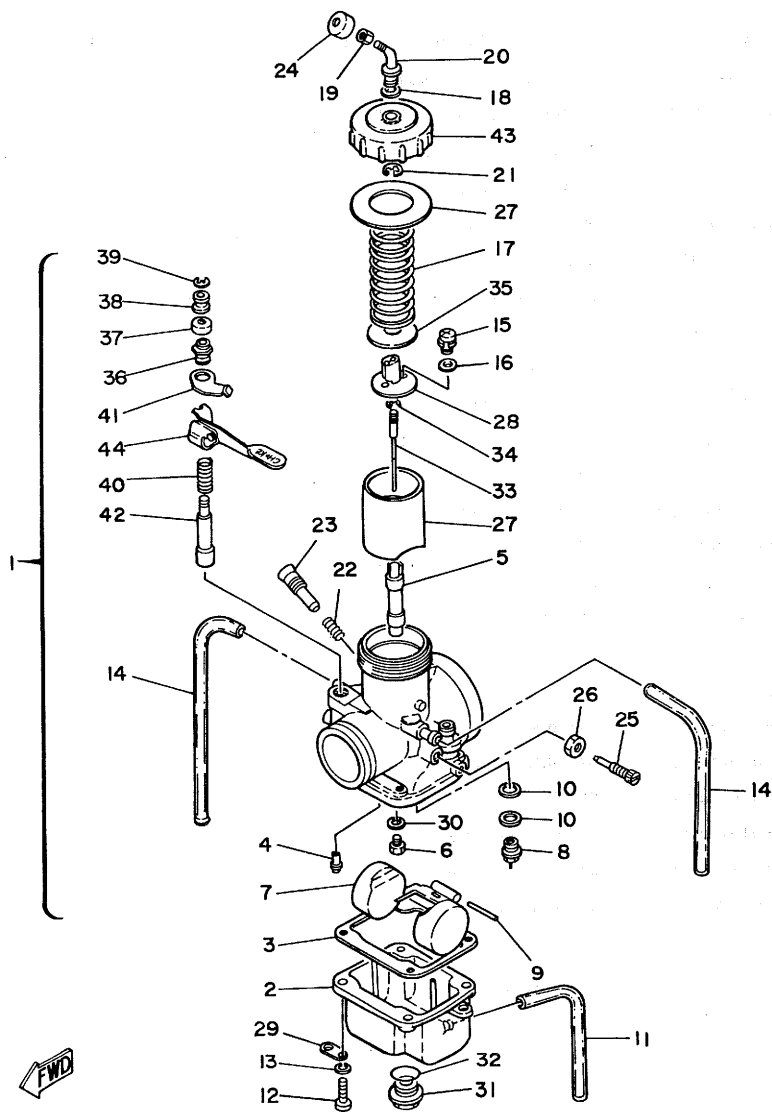
FIG. 5 CARBURETOR



REF. NO.	PART NO.	DESCRIPTION	Q'TY	REMARKS
1	4V5-14101-00	CARBURETOR ASSY 1	1	
2	3R4-14181-16	•BODY, float chamber 1	1	
3	363-14184-00	•GASKET, float chamber	1	
4	193-14142-50	•JET, Pilot (#50.0)	1	
5	239-14141-28	•NOZZLE, main	1	
6	137-14143-80	•JET, main (#400)	1	UR STD
	137-14143-78	•JET, main (#390)	1	UR
	137-14143-82	•JET, main (#410)	1	UR
7	2N7-14185-00	•FLOAT	1	
8	239-14190-30	•NEEDLE VALVE ASSY	1	
9	537-14186-00	•PIN, float	1	
10	239-14195-00	•WASHER, needle valve	2	
11	2K7-14197-00	•PIPE	1	
12	98501-05016	•SCREW, Pan head	4	
13	92902-05100	•WASHER, spring	4	
14	310-14197-00	•PIPE	2	
15	97602-03108	•SCREW, Pan head with washer	2	
16	92902-03600	•WASHER	2	
17	363-14131-00	•SPRING, throttle valve	1	
18	509-14198-00	•GASKET	1	
19	127-14161-00	•NUT, cable adjusting	1	
20	509-14155-01	•GUIDE, cable	1	
21	363-14137-00	•CLIP	1	
22	137-14133-00	•SPRING, throttle stop	1	
23	1W3-14123-00	•SCREW, air adjusting	1	
24	1M1-14169-00	•CAP	1	
25	2A0-14122-00	•SCREW, throttle	1	
26	802-14161-00	•NUT, cable adjusting	1	

**B7**

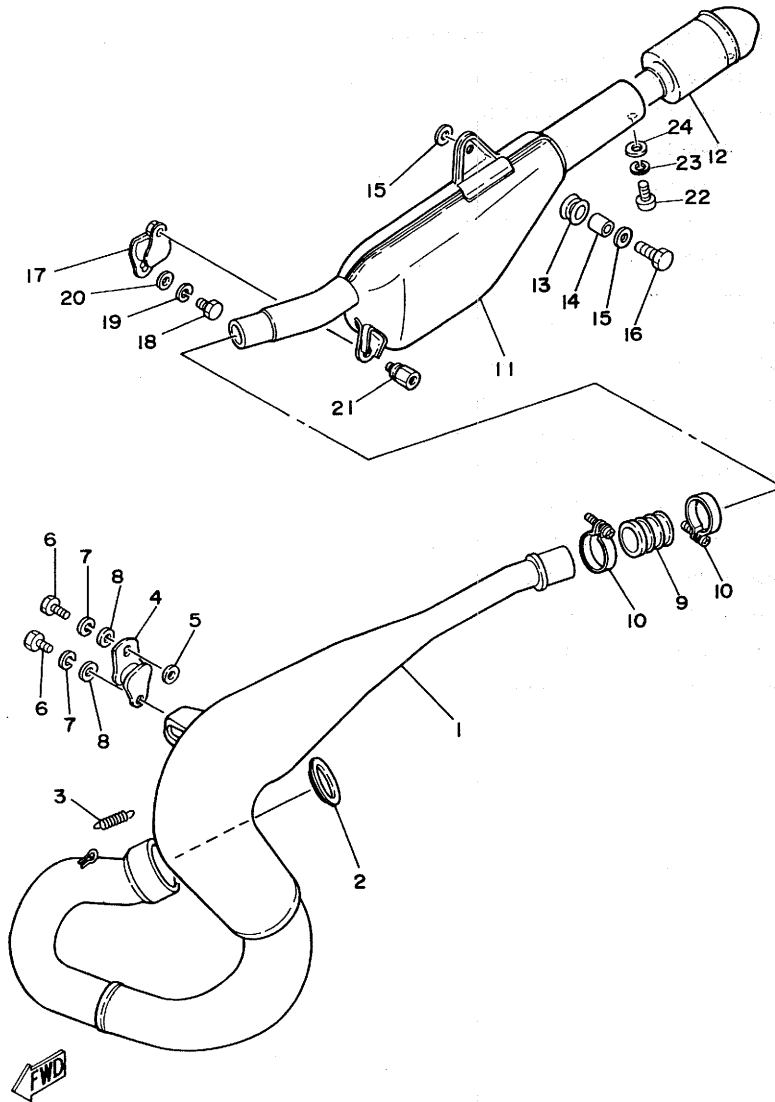
FIG. 5 CARBURETOR



REF. NO.	PART NO.	DESCRIPTION	Q'TY	REMARKS
27	2X7-14112-20	•VALVE, throttle (2.0)	1	
28	509-14274-00	•CONNECTOR	1	
29	3R4-14146-00	•PLATE	1	
30	2X7-14194-00	•RING	1	
31	510-14115-00	•PLUG, screw	1	
32	558-14147-00	•O-RING	1	
33	239-14116-34	•NEEDLE	1	
34	164-14137-00	•CLIP	1	
35	509-14136-00	•SEAT, sPring	1	
36	802-14174-00	•CAP, PlunGer	1	
37	2X7-14173-00	•COVER, PlunGer caP	1	
38	737-14241-00	•BUSH	1	
39	737-14137-00	•CLIP	1	
40	256-14135-00	•SPRING, PlunGer	1	
41	1W3-14178-00	•PLATE, starter sPring	1	
42	1W1-14171-00	•PLUNGER, starter	1	
43	1W3-14158-00	•TOP, mixing chamber	1	
44	1W3-14175-00	•LEVER, starter 1	1	

B8

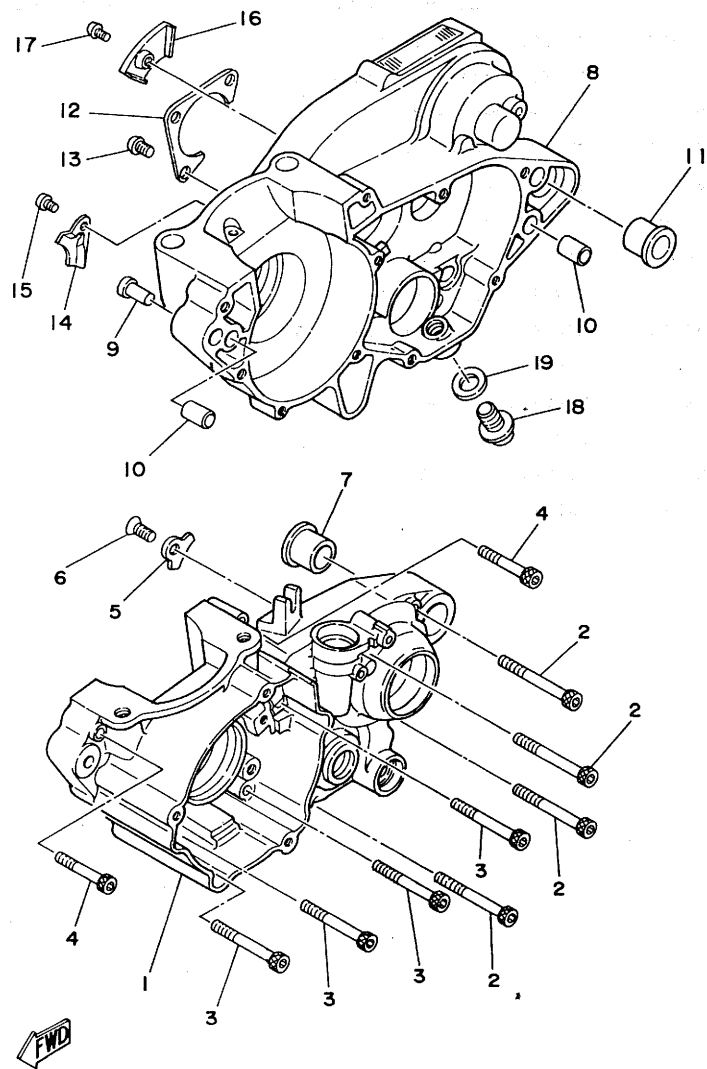
FIG. 6 EXHAUST



REF. NO.	PART NO.	DESCRIPTION	Q'TY	REMARKS
1	4V5-14610-00	EXHAUST PIPE ASSY 1	1	
2	3R4-14613-00	GASKET, exhaust Pipe	1	
3	90507-20030	SPRING, tension	3	
4	3R4-14781-02	STAY, muffler 2	1	
5	92901-08200	WASHER, Plain	1	
6	97301-08016	BOLT	2	
7	92901-08100	WASHER, sPring	2	
8	92901-08600	WASHER, Plate	2	
9	1M1-14714-00	GASKET, muffler	1	
10	90460-43053	CLAMP, hose	2	
11	4V5-14753-00	SILENCER, exhaust	1	
12	4V5-14752-00	PIPE, outlet	1	
13	565-14747-00	DAMPER, muffler	1	
14	90387-08258	COLLAR	1	
15	90201-08114	WASHER, Plate	2	
16	90109-08512	BOLT	1	
17	565-14771-00	STAY, muffler 1	1	
18	97301-06016	BOLT	1	
19	92901-06100	WASHER, sPring	1	
20	92901-06600	WASHER, Plate	1	
21	90109-06551	BOLT	1	
22	92501-06012	SCREW, Pan head	1	
23	92901-06100	WASHER, sPring	1	
24	92901-06600	WASHER, Plate	1	

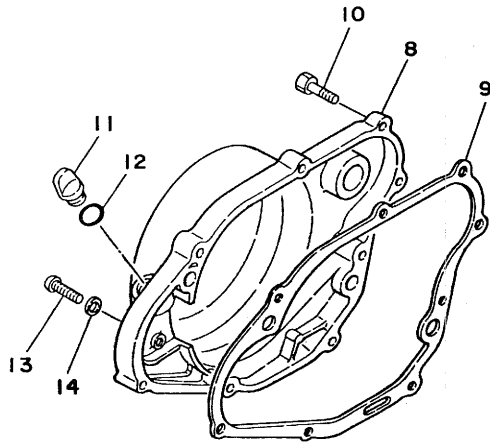
B9

FIG. 7 CRANKCASE

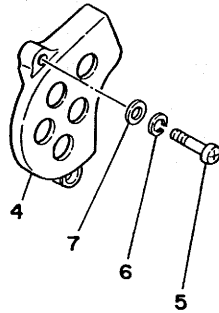
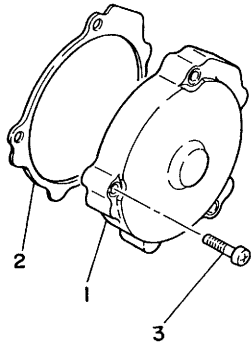


REF. NO.	PART NO.	DESCRIPTION	Q'TY	REMARKS
1	3R4-15111-00	CRANKCASE 1	1	
2	91316-06060	BOLT	4	
3	91316-06055	BOLT	4	
4	91316-06040	BDLT	2	
5	3R4-15383-00	PLATE, bearing cover	1	
6	92701-06012	SCREW, flat head	1	
7	90387-16776	COLLAR	1	
8	3R4-15121-01	CRANKCASE 2	1	
9	90338-07011	PLUG	1	
10	91810-05016	PIN, dowel	4	
11	90387-16776	COLLAR	1	
12	3R4-15381-00	PLATE, bearing cover	1	
13	92501-06012	SCREW, Pan head	3	
14	3R4-15118-00	HOLDER	1	
15	92501-08010	SCREW, Pan head	1	
16	3R4-15113-00	PLATE	1	
17	92501-06012	SCREW, Pan head	1	
18	90340-12059	PLUG, straight screw	1	
19	90430-12038	GASKET	1	

FIG. 8 CRANKCASE COVER



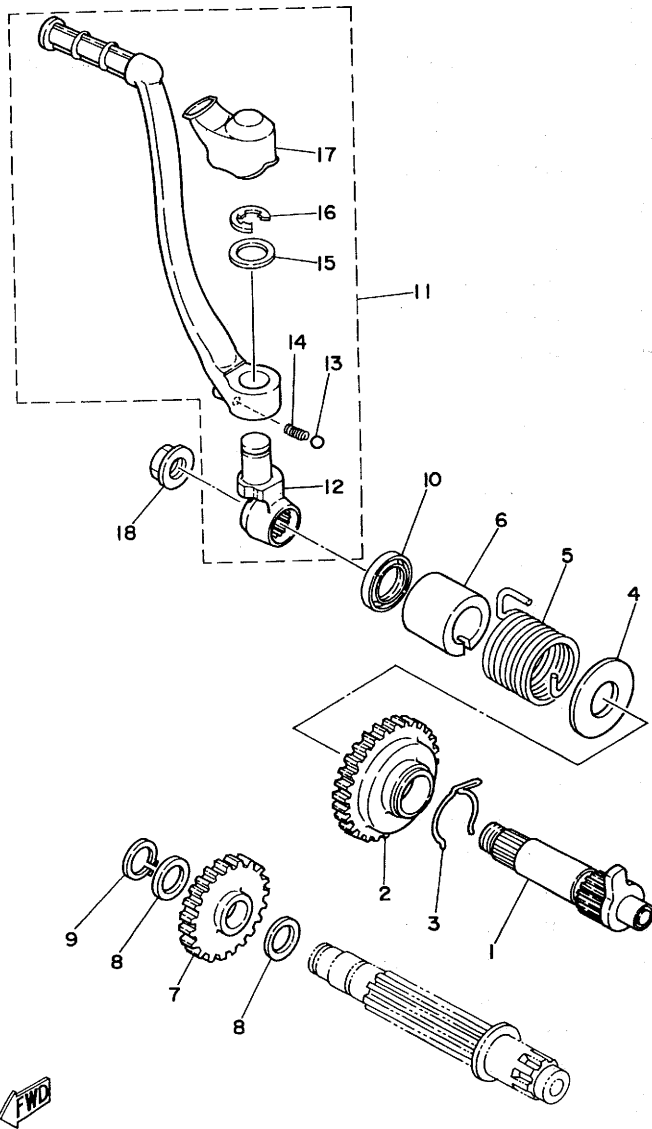
REF. NO.	PART NO.	DESCRIPTION	Q'TY	REMARKS
1	4V5-15411-00	COVER, crankcase 1	1	
2	4V5-15451-00	GASKET, crankcase cover	1	
3	92506-06035	SCREW, Pan head	3	
4	3R4-15421-00	COVER, crankcase 2	1	
5	92506-06025	SCREW, Pan head	1	
6	92906-06100	WASHER, sPring	1	
7	92906-06600	WASHER, Plate	1	
8	3R4-15431-01	COVER, crankcase 3	1	
9	3R4-15462-00	GASKET, crankcase cover 3	1	
10	91316-06025	BOLT	8	
11	1G8-15362-00	PLUG, oil level	1	
12	93210-14104	O-RING	1	
13	92506-06008	SCREW, Pan head	1	
14	90430-06016	GASKET	1	



FWD

B11

FIG. 9 KICK STARTER

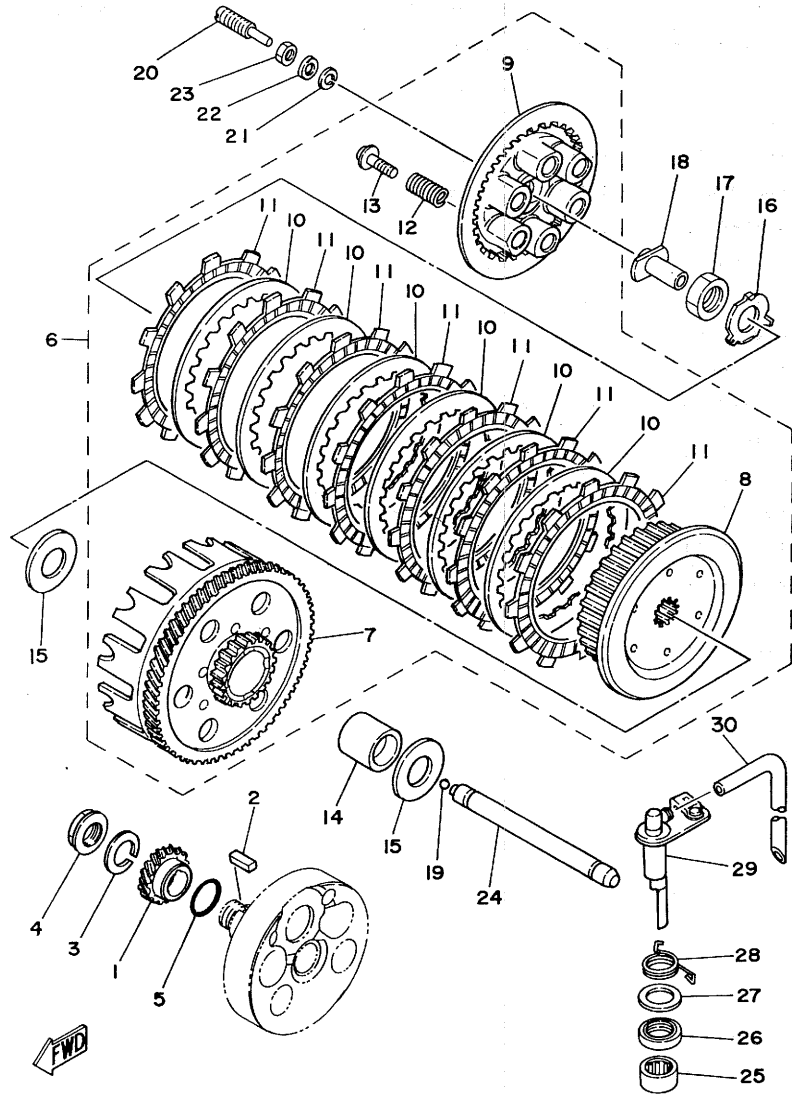


REF. NO.	PART NO.	DESCRIPTION	Q'TY	REMARKS
1	3R4-15660-00	KICK AXLE ASSY	1	
2	3R4-15641-00	GEAR, kick (26T)	1	
3	90468-26048	CLIP	1	
4	90201-20358	WASHER, Plate	1	
5	90508-30422	SPRING, torsion	1	
6	3R4-15664-00	GUIDE, sPring	1	
7	3R4-15651-00	GEAR, sProcket idle (21T)	1	
8	90201-17545	WASHER, Plate	2	
9	93410-17008	CIRCLIP	1	
10	93109-20014	OIL SEAL	1	
11	4V3-15620-00	KICK CRANK ASSY	1	
12	4V3-15621-00	•BOSS, kick crank	1	
13	93507-32009	•BALL	1	
14	90501-12081	•SPRING, comPression	1	
15	90201-15234	•WASHER, Plate	1	
16	93430-10016	•CIRCLIP	1	
17	2K7-15618-00	•COVER, kick lever	1	
18	90179-12244	NUT	1	

FWD

B12

FIG. 10 CLUTCH



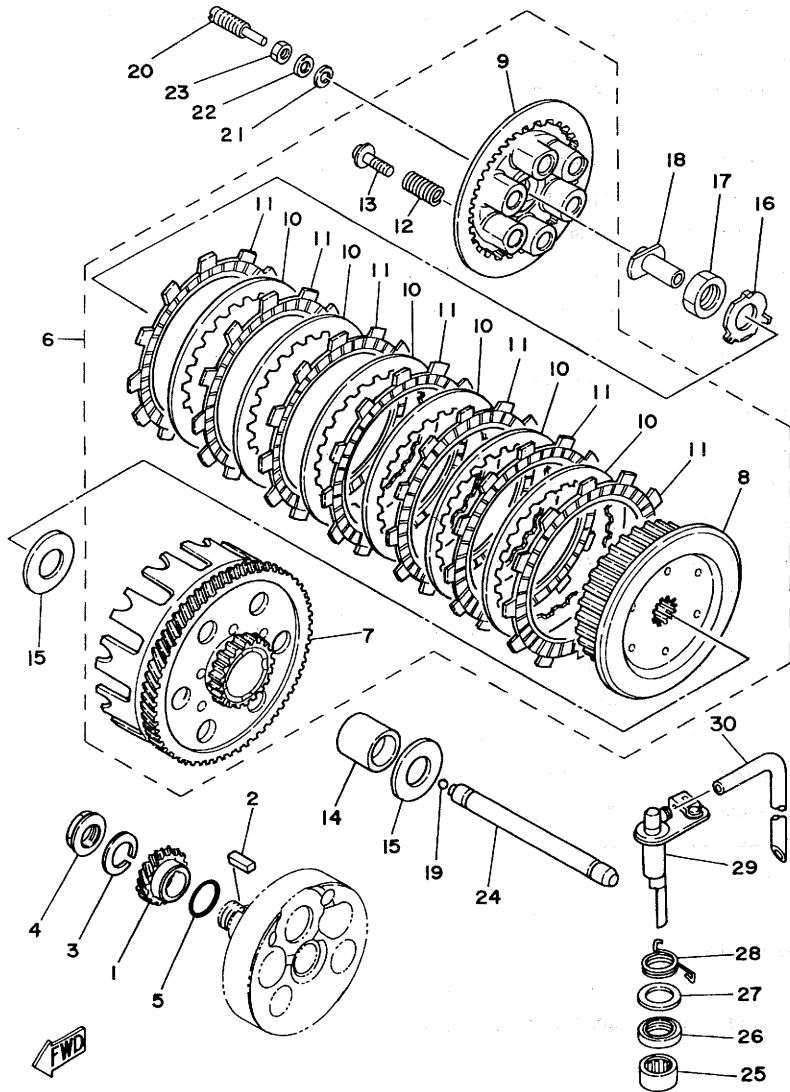
REF. NO.	PART NO.	DESCRIPTION	Q'TY	REMARKS
1	3R4-16111-00	GEAR, Primary drive (24T)	1	
2	90282-07019	KEY, straight	1	
3	92901-18100	WASHER, sPring	1	
4	90170-18089	NUT	1	
5	93210-29282	O-RING	1	
6	4V3-16300-00	CLUTCH ASSY	1	
7	3R4-16150-00	•PRIMARY DRIVEN GEAR COMP.(63T)	1	
8	3R4-16371-00	•BOSS, clutch	1	
9	1M1-16351-00	•PLATE, Pressure 1	1	
10	168-16325-00	•PLATE, clutch 2	6	
11	383-16321-00	•PLATE, friction	7	
12	90501-23138	•SPRING, comPrission	6	
13	90159-06016	•SCREW, with washer	6	
14	2K7-16181-00	SPACER 1	1	
15	2K7-16154-00	PLATE, thrust 1	2	
16	90215-20125	WASHER, lock	1	
17	90170-20255	NUT	1	
18	3R4-16356-00	ROD, Push 1	1	
19	93515-32029	BALL	1	
20	90149-08143	SCREW	1	
21	92901-08100	WASHER, sPring	1	
22	90201-08092	WASHER, Plate	1	
23	95311-08700	NUT	1	
24	2K7-16357-00	ROD, Push 2	1	
25	93315-21721	BEARING, cylindrical	1	
26	93102-17004	OIL SEAL	1	
27	90201-17327	WASHER, Plate	1	
28	90508-14423	SPRING, torsion	1	

**B13**



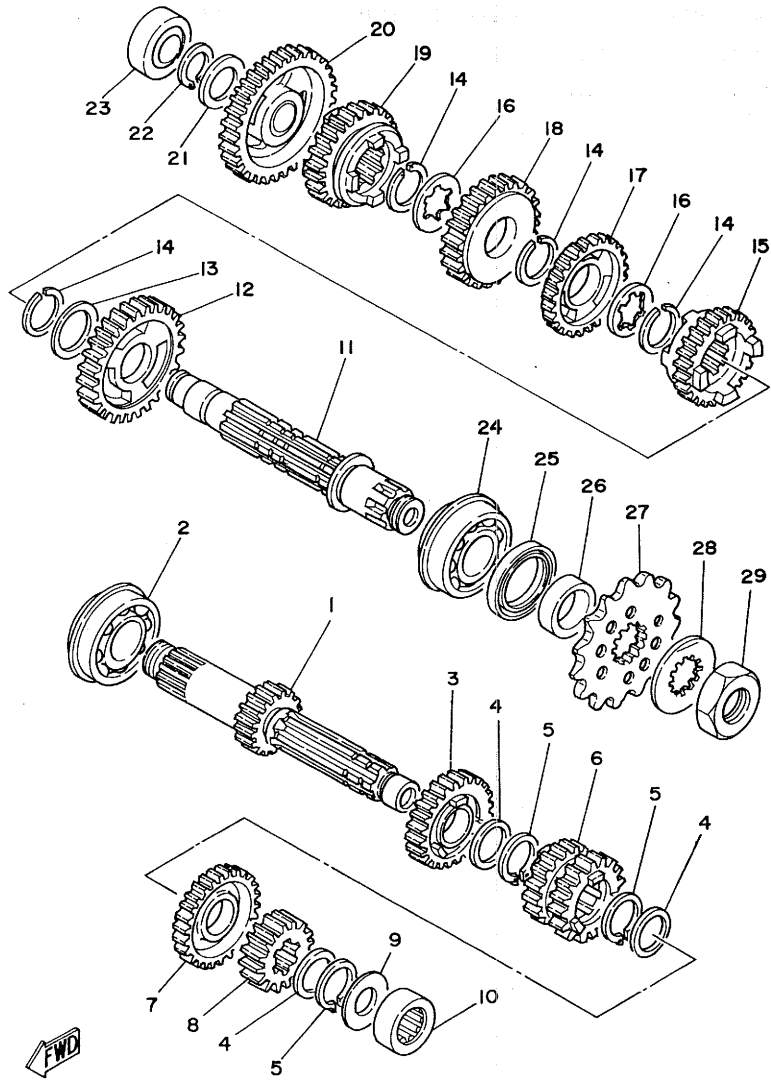
FIG. 10 CLUTCH

REF. NO.	PART NO.	DESCRIPTION	Q'TY	REMARKS
29	4V4-16380-00	PUSH LEVER ASSY	1	
30	90445-08577	HOSE	1	



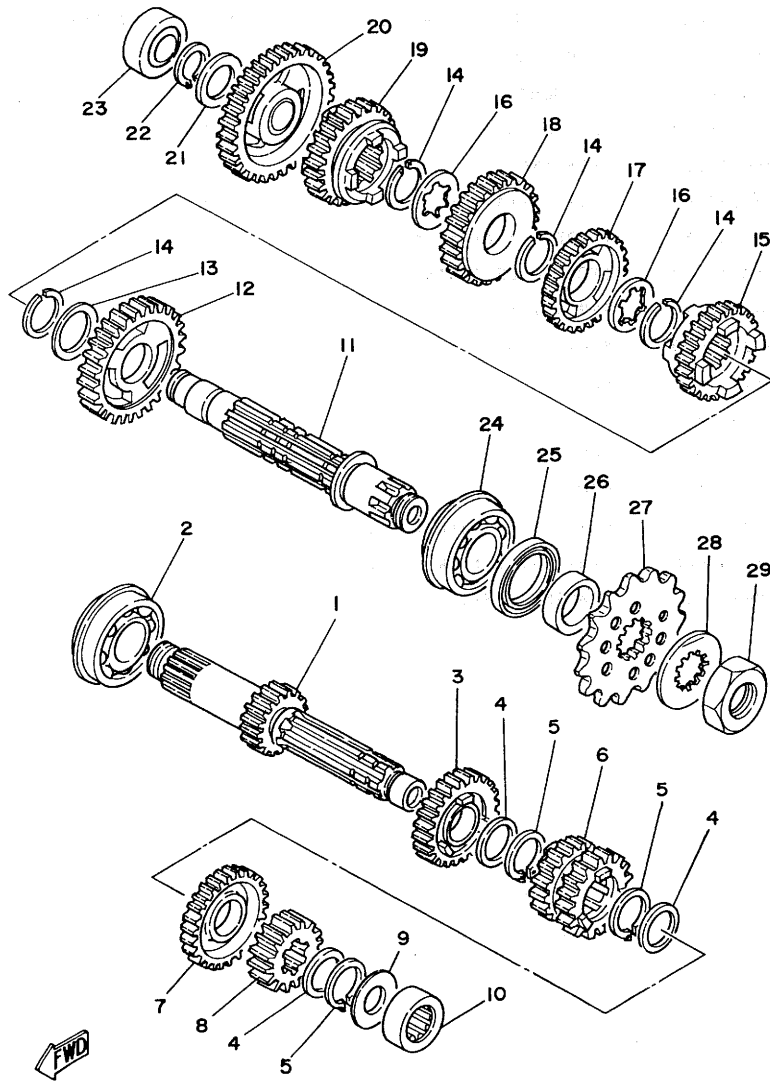
**B14**

FIG. 11 TRANSMISSION



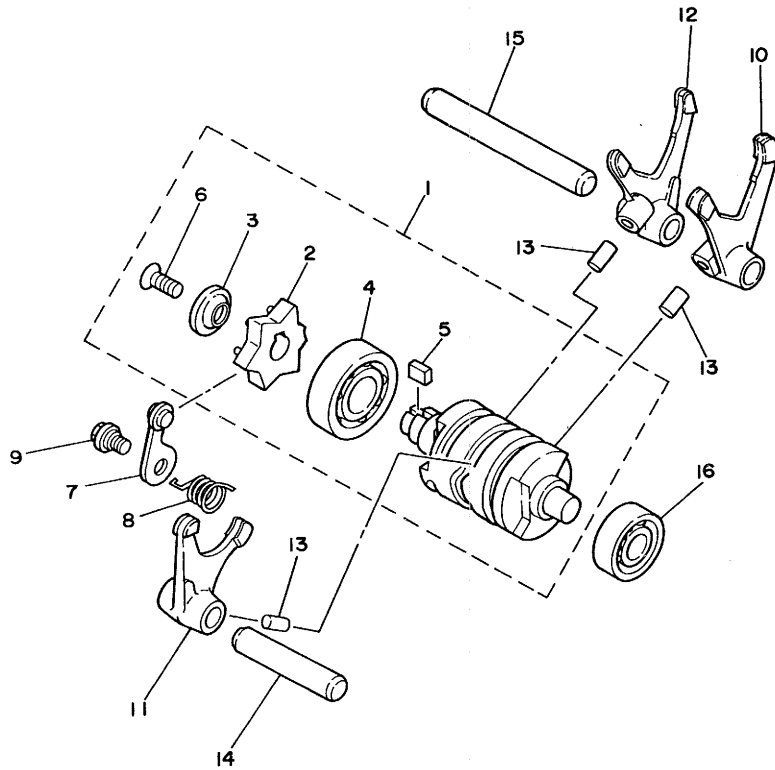
REF. NO.	PART NO.	DESCRIPTION	Q'TY	REMARKS
1	4V5-17411-00	AXLE, main (12T)	1	
2	93306-20542	BEARING	1	
3	4V5-17151-00	GEAR, 5th Pinion (22T)	1	
4	90201-22555	WASHER, Plate	3	
5	93410-22039	CIRCLIP	3	
6	4V5-17131-00	GEAR, 3rd/4th Pinion (16T,20T)	1	
7	3R4-17161-03	GEAR, 6th Pinion (24T)	1	
8	4V5-17121-00	GEAR, 2nd Pinion (15T)	1	
9	90201-17255	WASHER, Plate	1	
10	93311-41734	BEARING, cylindrical	1	
11	3R4-17421-00	AXLE, drive	1	
12	4V5-17221-00	GEAR, 2nd wheel (30T)	1	
13	90201-25287	WASHER, Plate	1	
14	93440-25084	CIRCLIP	4	
15	3R4-17261-02	GEAR, 6th wheel (21T)	1	
16	90209-22082	WASHER	2	
17	4V5-17241-00	GEAR, 4th wheel (25T)	1	
18	4V5-17231-00	GEAR, 3rd wheel (25T)	1	
19	4V5-17251-00	GEAR, 5th wheel (23T)	1	
20	2X7-17211-00	GEAR, 1st wheel (32T)	1	
21	90201-20278	WASHER, Plate	1	
22	93410-20038	CIRCLIP	1	
23	93311-62035	BEARING, cylindrical	1	
24	93306-20544	BEARING	1	
25	93102-32136	OIL SEAL	1	
26	90387-25663	COLLAR	1	
27	1W4-17461-30	SPROCKET, drive (13T)	1	UR STD
	1W4-17461-40	SPROCKET, drive (14T)	1	AP

FIG. 11 TRANSMISSION



REF. NO.	PART NO.	DESCRIPTION	Q'TY	REMARKS
27	1W4-17461-50	SPROCKET, drive (15T)	1	AP
28	90215-21121	WASHER, lock	1	
29	90179-20255	NUT	1	

FIG. 12 SHIFT CAM.FORK

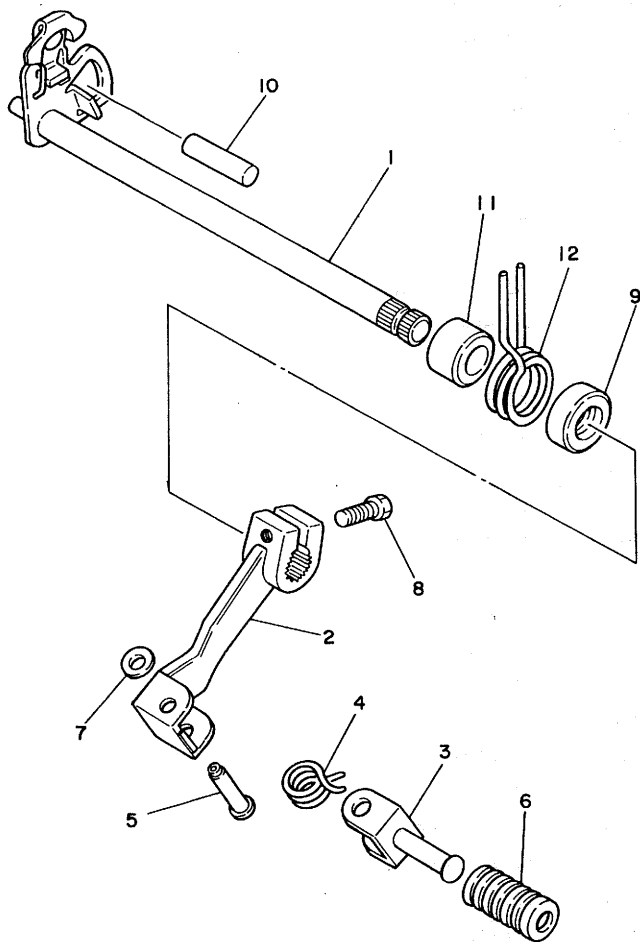


REF. NO.	PART NO.	DESCRIPTION	Q'TY	REMARKS
1	3R4-18540-02	SHIFT CAM ASSY	1	
2	3R4-18185-00	•SEGMENT	1	
3	3R4-18561-00	•PLATE, side 1	1	
4	93306-00422	•BEARING	1	
5	90282-04036	•KEY, straight	1	
6	98701-05016	•SCREW, flat head	1	
7	3R4-18140-00	STOPPER LEVER ASSY	1	
8	90508-26421	SPRING, torsion	1	
9	1W1-18177-00	BOLT, stopPer	1	
10	3R4-18511-01	FORK, shift 1	1	
11	3R4-18512-01	FORK, shift 2	1	
12	3R4-18513-01	FORK, shift 3	1	
13	93606-14154	PIN, dowel	3	
14	4V4-18531-00	BAR, shift fork guide 1	1	
15	4V4-18535-00	BAR, shift fork guide 2	1	
16	93306-20107	BEARING (B6201)	1	

FWD

C3

FIG. 13 SHIFT SHAFT-PEDAL



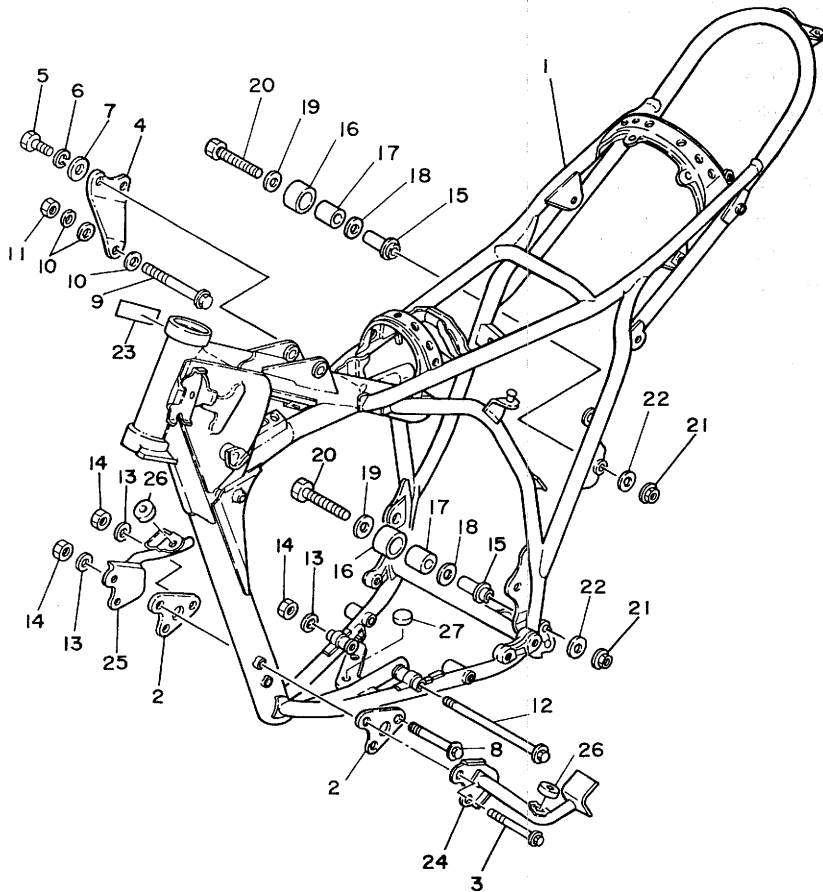
REF. NO.	PART NO.	DESCRIPTION	Q'TY	REMARKS
1	3R4-18101-01	SHIFT SHAFT ASSY	1	
2	4V4-18111-04	PEDAL, shift	1	
3	3R8-18162-00	PEDAL, shift	1	
4	90508-20415	SPRING, torsion	1	
5	90243-08017	PIN	1	
6	1W6-18113-00	COVER, shift Pedal	1	
7	90201-06042	WASHER, Plate	1	
8	97321-06020	BOLT	1	
9	93101-12004	OIL SEAL	1	
10	93608-25150	PIN, dowel	1	
11	90560-12171	SPACER	1	
12	90508-32374	SPRING, torsion	1	



C4

FIG. 14 FRAME

REF. NO.	PART NO.	DESCRIPTION	Q'TY	REMARKS
1	4V5-21110-00-33	FRAME COMP	1	yamaha black
2	3R4-21415-00	BRACKET, front upper 1	2	
3	95811-08080	BOLT, flange	2	
4	4V3-21425-00	BRACKET, rear upper 1	1	
5	97321-08025	BOLT	2	
6	92901-08100	WASHER, spring	2	
7	92901-08600	WASHER, Plate	2	
8	95811-08075	BOLT, flange	1	
9	95811-10045	BOLT, flange	1	
10	92901-10200	WASHER, Plain	3	
11	95601-10100	NUT, u	1	
12	95811-08170	BOLT, flange	1	
13	92901-08200	WASHER, Plain	4	
14	90185-08054	NUT, self-locking	4	
15	2K7-2148A-00	SHAFT	2	
16	4V4-22178-00	TENSIONER	2	
17	4V4-22184-00	BUSH	2	
18	90201-13202	WASHER, Plate	2	
19	90201-08113	WASHER, Plate	2	
20	97301-08055	BOLT	2	
21	95702-08300	NUT, nylon	2	
22	90201-08638	WASHER, Plate	2	
23	3R4-2139W-00	COVER	1	
24	4V5-2147A-00	GUARD, engine 1	1	
25	4V5-2147E-00	GUARD, engine 2	1	
26	2J5-21732-00	SEAL 1	2	
27	431-24181-00	DAMPER, locating 1	2	

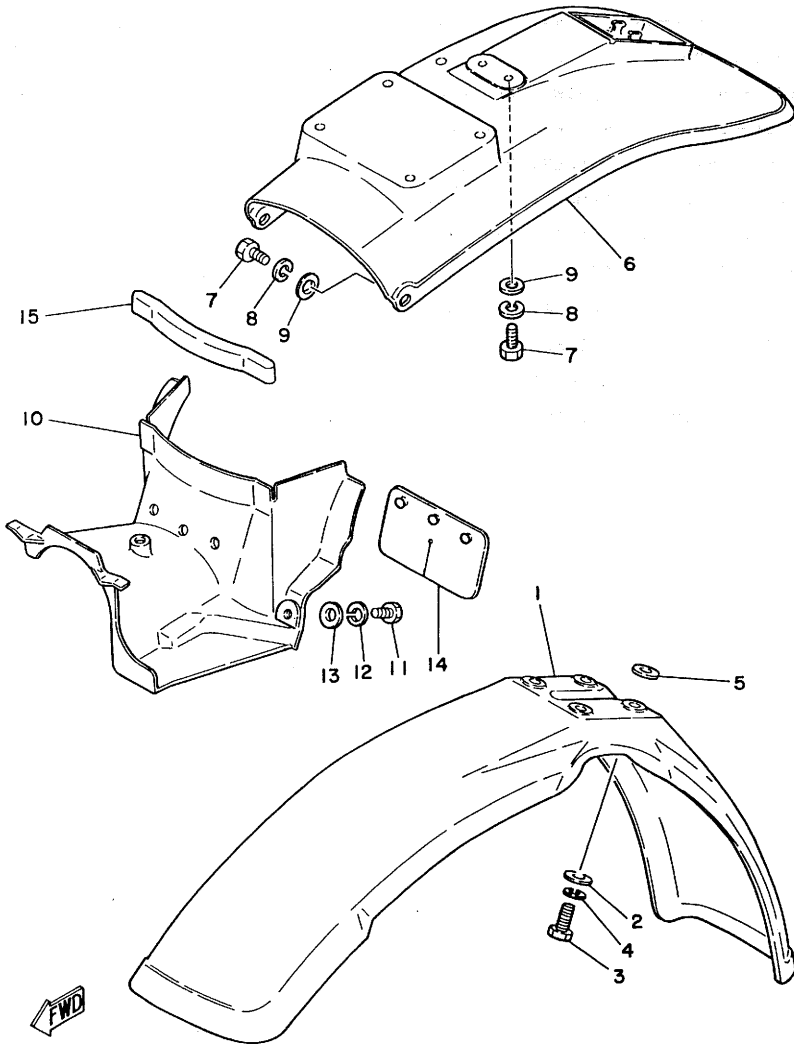


FWD

C5

FIG. 15 FRONT FENDER•REAR FENDER

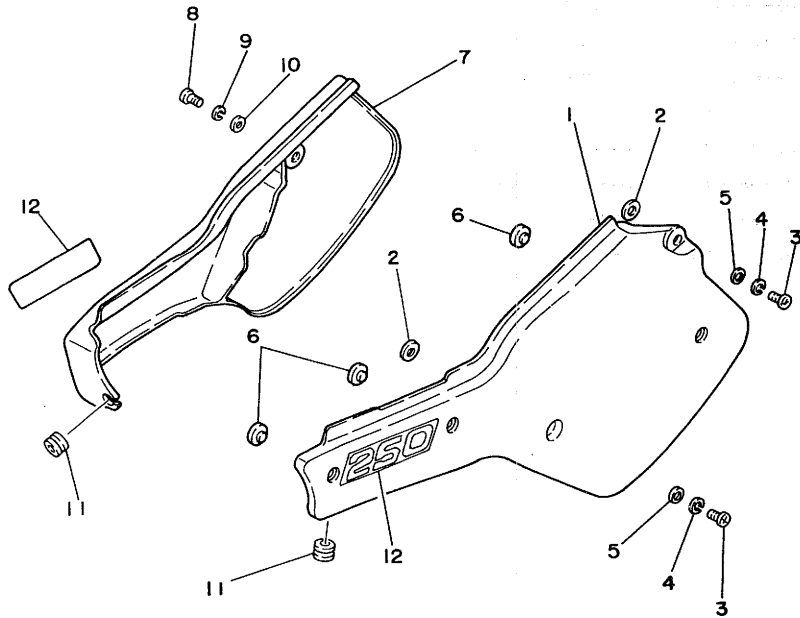
REF. NO.	PART NO.	DESCRIPTION	Q'TY	REMARKS
1	3R8-21511-11	FENDER, front	1	sky blue
2	90201-06067	WASHER, Plate	4	
3	97302-06020	BOLT	4	
4	92902-06100	WASHER, sPring	4	
5	90209-06187	WASHER	4	
6	4V5-21610-10	REAR FENDER COMP.	1	sky blue
7	97306-06016	BOLT	4	
8	92906-06100	WASHER, sPring	4	
9	90201-06067	WASHER, Plate	4	
10	4V5-21629-00	GUARD, mud	1	
11	97301-06015	BOLT	2	
12	92902-06100	WASHER, sPring	2	
13	90201-06067	WASHER, Plate	2	
14	1M1-21621-00	FLAP	1	
15	565-21746-00	SEAL, mud guard	1	



C6

FIG. 16 SIDE COVER

REF. NO.	PART NO.	DESCRIPTION	Q'TY	REMARKS
1	4V5-21711-10-26	COVER, side (L.H)	1	comPetition yellow /sky blue
2	92902-08200	WASHER	2	
3	92501-06015	SCREW, Pan head	2	
4	92901-06100	WASHER, sPring	2	
5	90201-06571	WASHER, Plate	2	
6	431-24181-00	DAMPER, locating 1	3	
7	4V5-21721-10-26	COVER, side (R.H)	1	comPetition yellow /sky blue
8	92501-06015	SCREW, Pan head	1	
9	92901-06100	WASHER, sPring	1	
10	90201-06571	WASHER, Plate	1	
11	90480-12053	GROMMET	2	
12	4V5-21737-00	EMBLEM	2	



FWD

C7



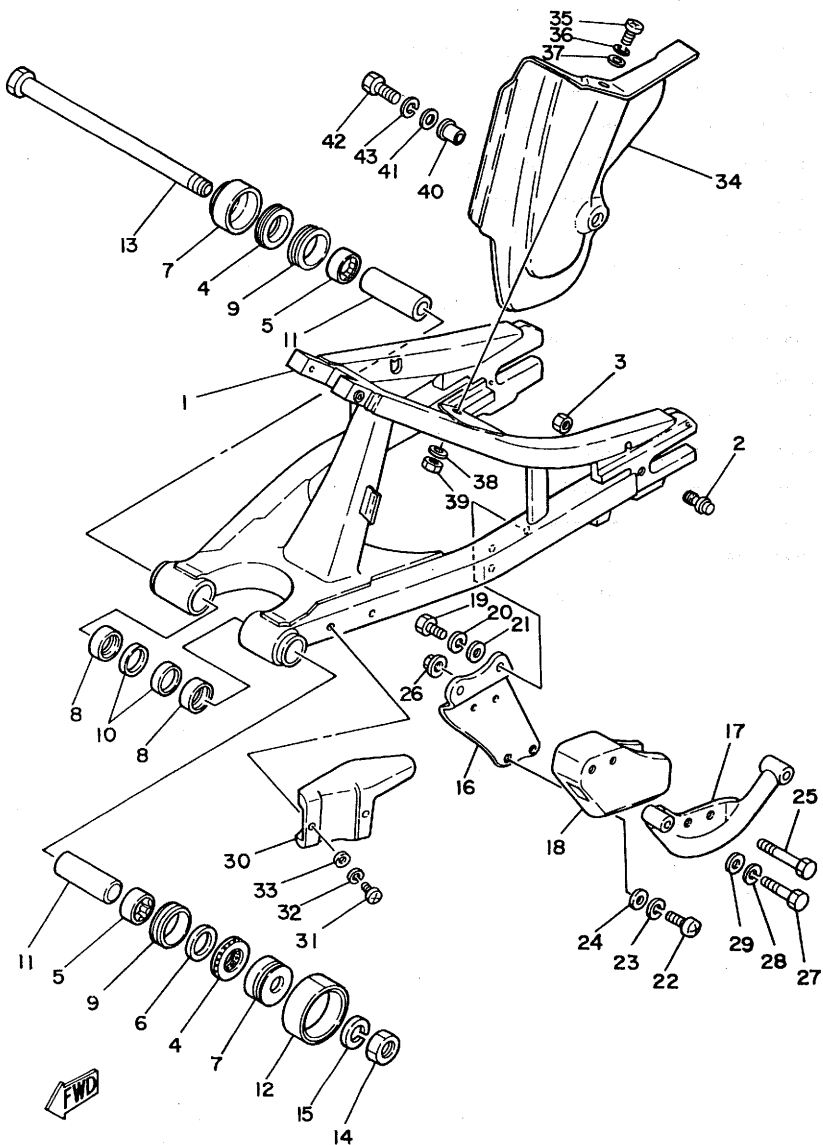
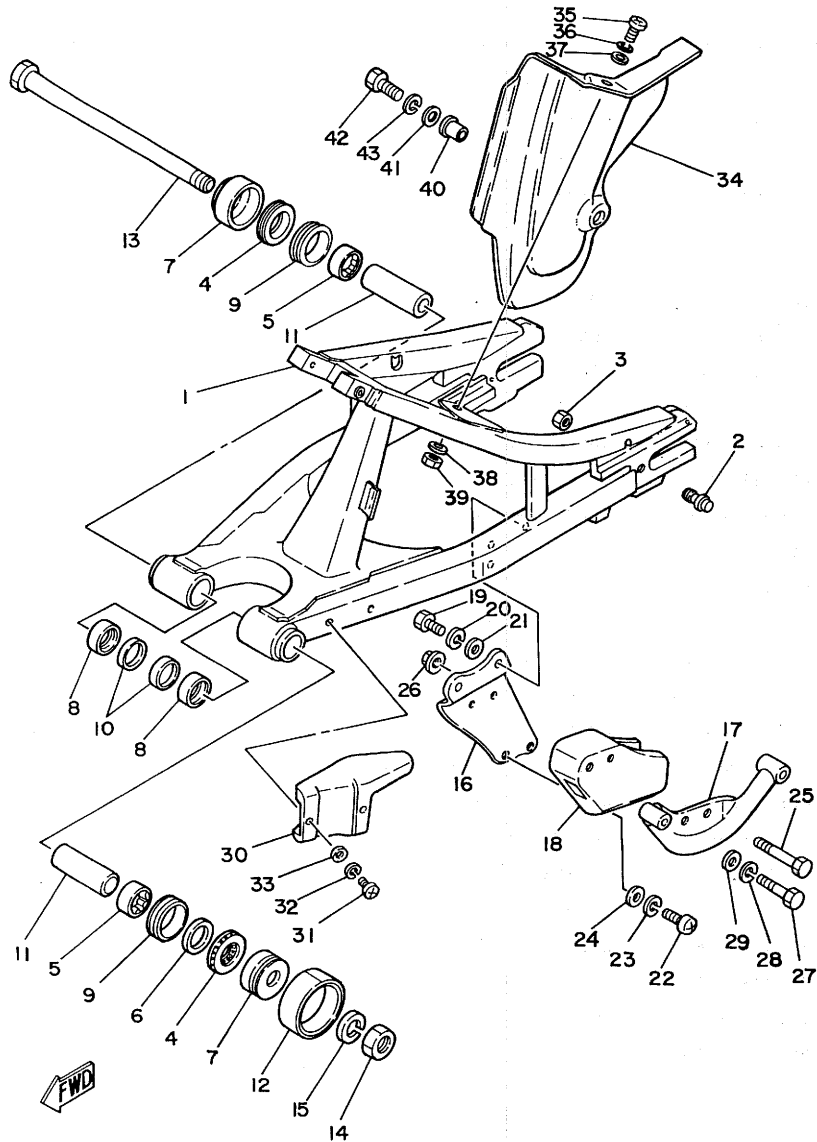


FIG. 17 REAR ARM

REF. NO.	PART NO.	DESCRIPTION	Q'TY	REMARKS
1	4V5-22110-00-35	REAR ARM COMP.	1	silver
2	90109-08599	BOLT	2	
3	90179-08278	NUT	2	
4	93342-22208	BEARING	2	
5	93317-22214	BEARING, cylindrical	2	
6	648-45533-00-03	SHIM (0.3T)	1	UN
7	3R4-22129-00	COVER, thrust 2	2	
8	90386-22097	BUSH	2	
9	93108-35004	OIL SEAL	2	
10	93109-22018	OIL SEAL	2	
11	90380-16077	BUSH, solid	2	
12	431-22151-03	SEAL, Guard	1	
13	3R4-22141-00	SHAFT, Pivot	1	
14	90170-16111	NUT	1	
15	92901-16100	WASHER, sPring	1	
16	2X4-22179-00	ARM, tensioner	1	
17	3R5-22153-00	GUARD, chain	1	
18	2X4-22199-00	SUPPORT, chain	1	
19	97301-08016	BOLT	1	
20	92901-08100	WASHER, sPring	1	
21	92901-08600	WASHER, Plate	1	
22	92501-06020	SCREW, Pan head	2	
23	92901-06100	WASHER, sPring	2	
24	92901-06600	WASHER, Plate	2	
25	97301-06050	BOLT	2	
26	95702-06300	NUT, nylon	2	
27	97301-08035	BOLT	2	
28	92901-08100	WASHER, sPring	2	

FIG. 17 REAR ARM



REF. NO.	PART NO.	DESCRIPTION	Q'TY	REMARKS
29	92901-08600	WASHER, Plate	2	
30	3R4-22147-00	PROTECTOR, chain	1	
31	98501-05010	SCREW, Pan head	2	
32	92901-05100	WASHER, sPring	2	
33	92901-05200	WASHER, Plain	2	
34	4V5-22311-00	CASE, chain	1	black
35	92501-06020	SCREW, Pan head	1	
36	92901-06100	WASHER, sPring	1	
37	92901-06600	WASHER, Plate	1	
38	90201-06067	WASHER, Plate	1	
39	95601-06100	NUT, u	1	
40	90560-08066	SPACER	1	
41	92901-08200	WASHER, Plain	1	
42	97301-08020	BOLT	1	
43	92901-08100	WASHER, sPring	1	

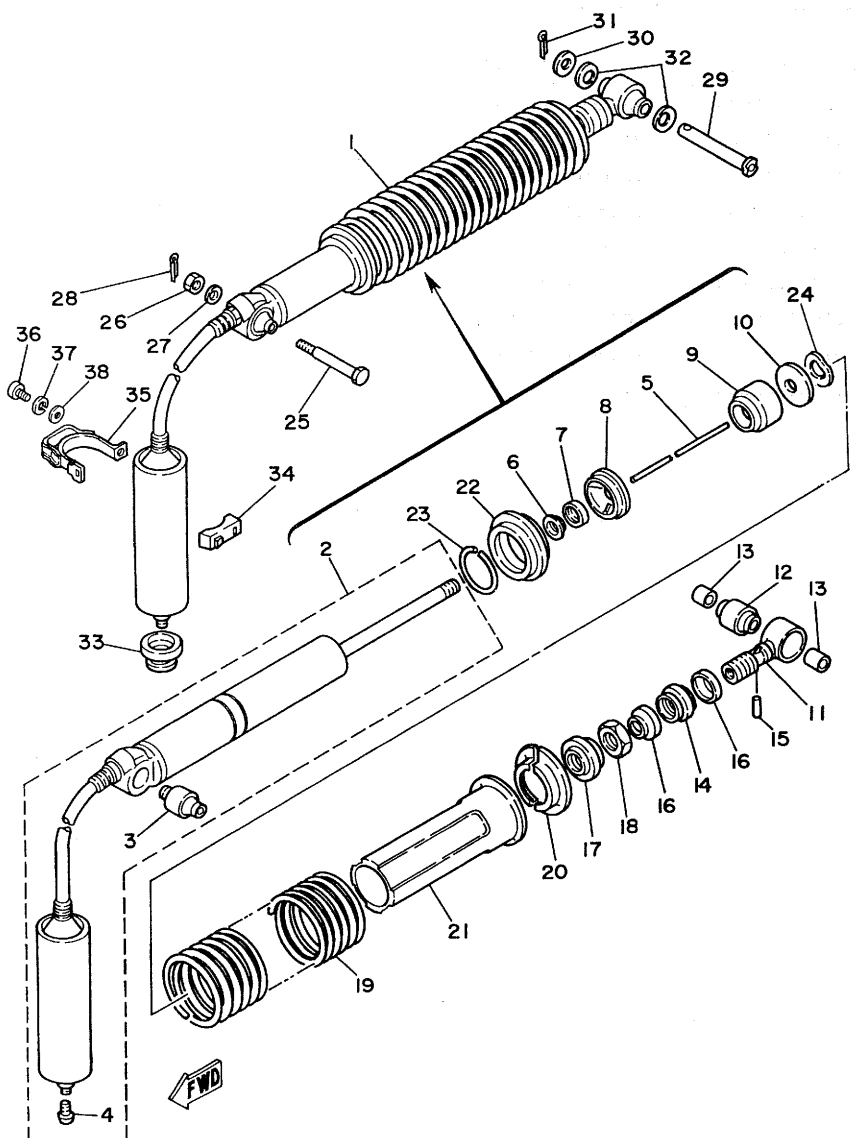
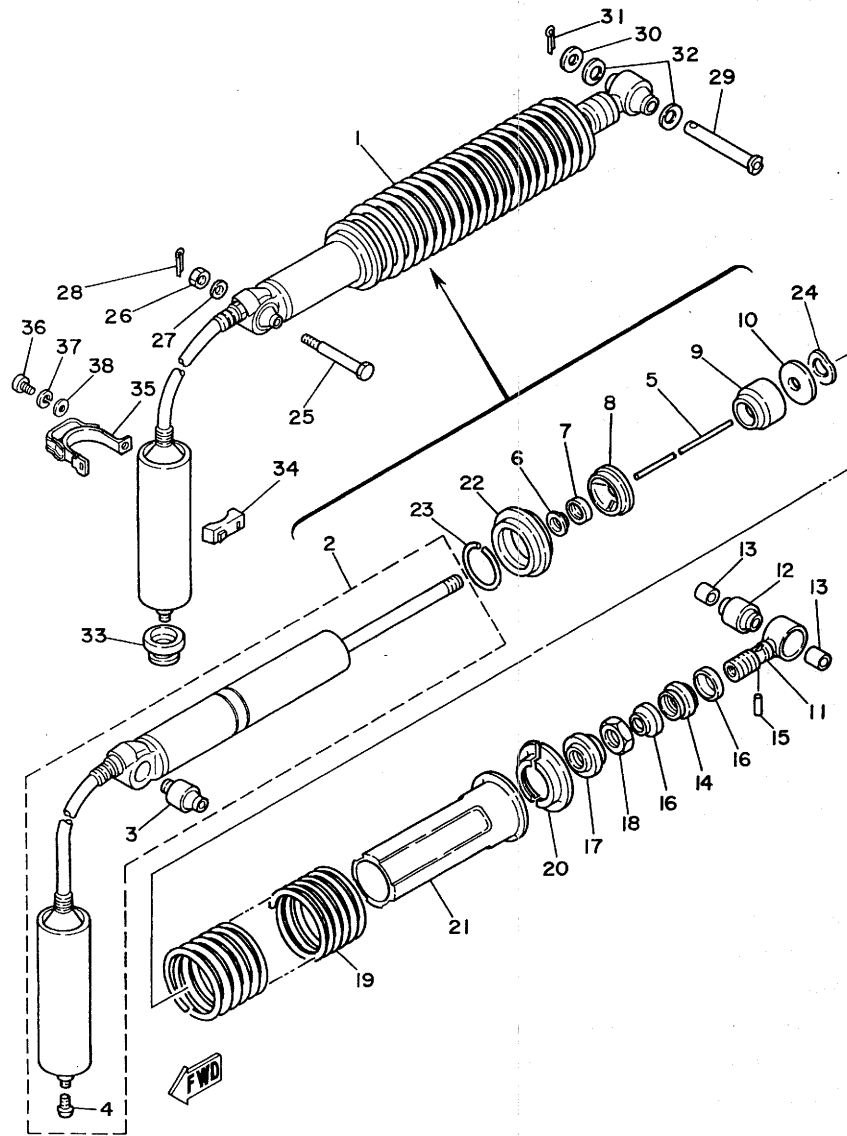


FIG. 18 REAR SUSPENSION

REF. NO.	PART NO.	DESCRIPTION	Q'TY	REMARKS
1	4V5-22210-00	SHOCK ABSORBER ASSY, rear	1	
2	4V5-22401-00	•DUMPER SUB. ASSY	1	
3	1W1-22216-00	••BUSH, rear shock absorber	1	
4	98501-04005	••SCREW, Pan head	1	
5	3R4-22489-00	•ROD, Push	1	
6	3R4-22475-00	•SEAL, dust	1	
7	3R4-22473-00	•HOUSING, seal ring	1	
8	4L0-22472-00	•CAP, case	1	
9	1W1-22493-00	•STOPPER, bump	1	
10	3R4-22228-00	•SUPPORT, bump stoP	1	
11	3R4-22409-00	•UPPER BRACKET SUB ASSY	1	
12	3R4-22226-00	•BUSH, shock absorber lower	1	
13	90380-12051	•BUSH, solid	2	
14	3R4-22497-00	•NUT, adjusting	1	
15	93604-26132	•PIN, dowel	1	
16	3R4-22221-01	•COVER	2	
17	3R4-22213-00	•SEAT, sPring uPper	1	
18	90170-20213	•NUT	1	
19	4V5-22212-00	•SPRING	1	(YELLOW · RED)
20	3R4-22214-00	•GUIDE, sPring 1	2	
21	3R4-22224-00	•GUIDE, sPring 2	1	
22	3R4-22223-00	•SEAT, sPring lower	1	
23	93440-50078	•CIRCLIP	1	
24	90206-14067	•WASHER, wave	1	
25	90109-10550	BOLT	1	
26	95302-10700	NUT	1	
27	92902-10600	WASHER, Plate	1	
28	91401-20025	PIN, cotter	1	
29	90240-12074	PIN, clevis	1	

FIG. 18 REAR SUSPENSION



REF. NO.	PART NO.	DESCRIPTION	Q'TY	REMARKS
30	92901-12600	WASHER, Plate	1	
31	91401-30022	PIN, cotter	1	
32	1W1-22128-00	COVER, thrust 1	2	
33	90480-22263	GROMMET	1	
34	3R4-22261-00	DAMPER, sub tank	1	
35	4V4-22262-01	HOLDER, sub tank	1	
36	92502-06016	SCREW, Pan head	1	
37	92902-06100	WASHER, sPring	1	
38	92902-06600	WASHER	1	

FIG. 19 STEERING

REF. NO.	PART NO.	DESCRIPTION	Q'TY	REMARKS
1	1W4-23435-00-98	CROWN, handle	1	low gloss black
2	95821-08040	BOLT, flange	4	
3	95821-08055	BOLT, flange	1	
4	95701-08100	NUT, flange	1	
5	90105-14136	BOLT, washer based	1	
6	1E6-23441-00-98	HOLDER, handle upper	2	low gloss black
7	95821-08035	BOLT, flange	4	
8	93332-00001	BEARING	1	
9	93332-00008	BEARING	1	
10	1W1-23416-00	COVER, ball race 2	1	
11	90179-25033	NUT	1	
12	1W2-23318-00	HOLDER, cable 1	1	
13	98501-05018	SCREW, Pan head	1	
14	92901-05600	WASHER, Plate	1	
15	95301-05600	NUT	1	
16	3R4-23389-00	GUIDE, cable	1	

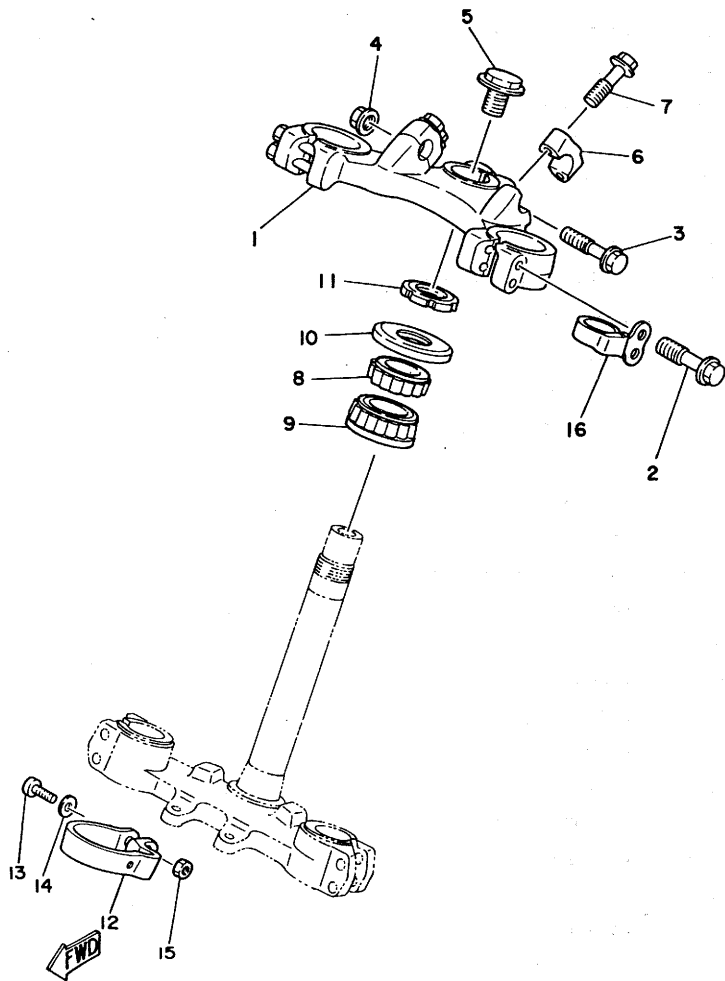
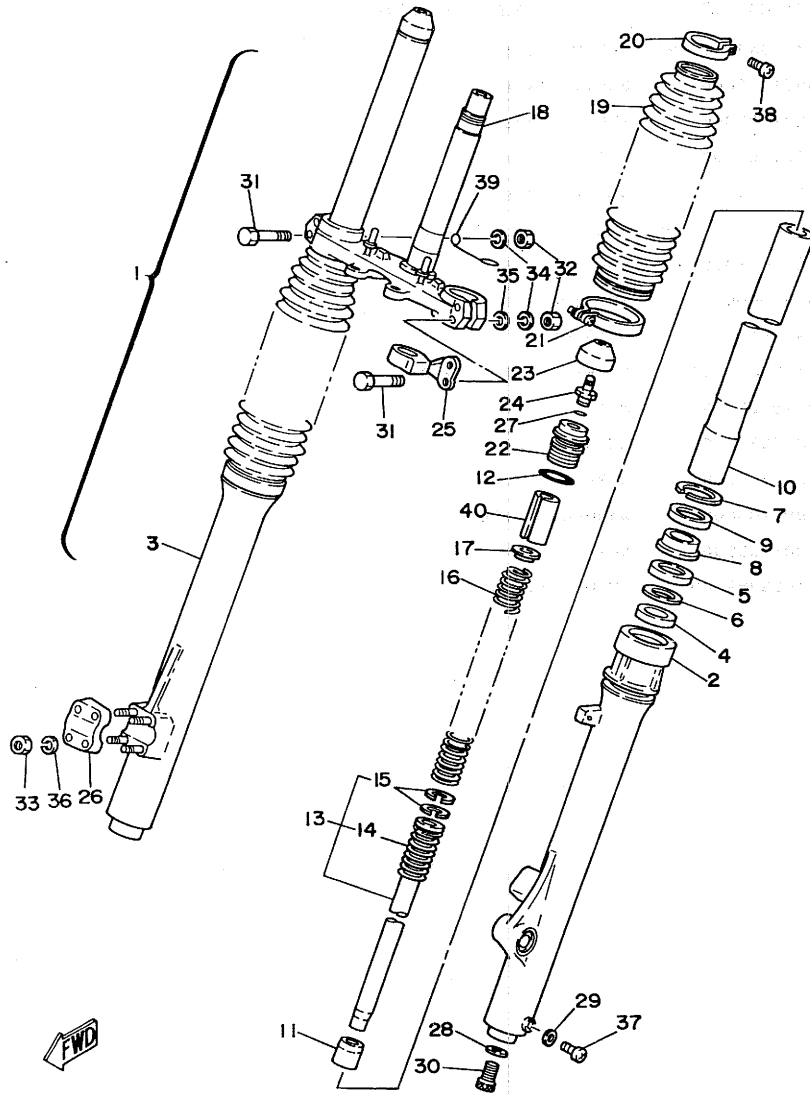


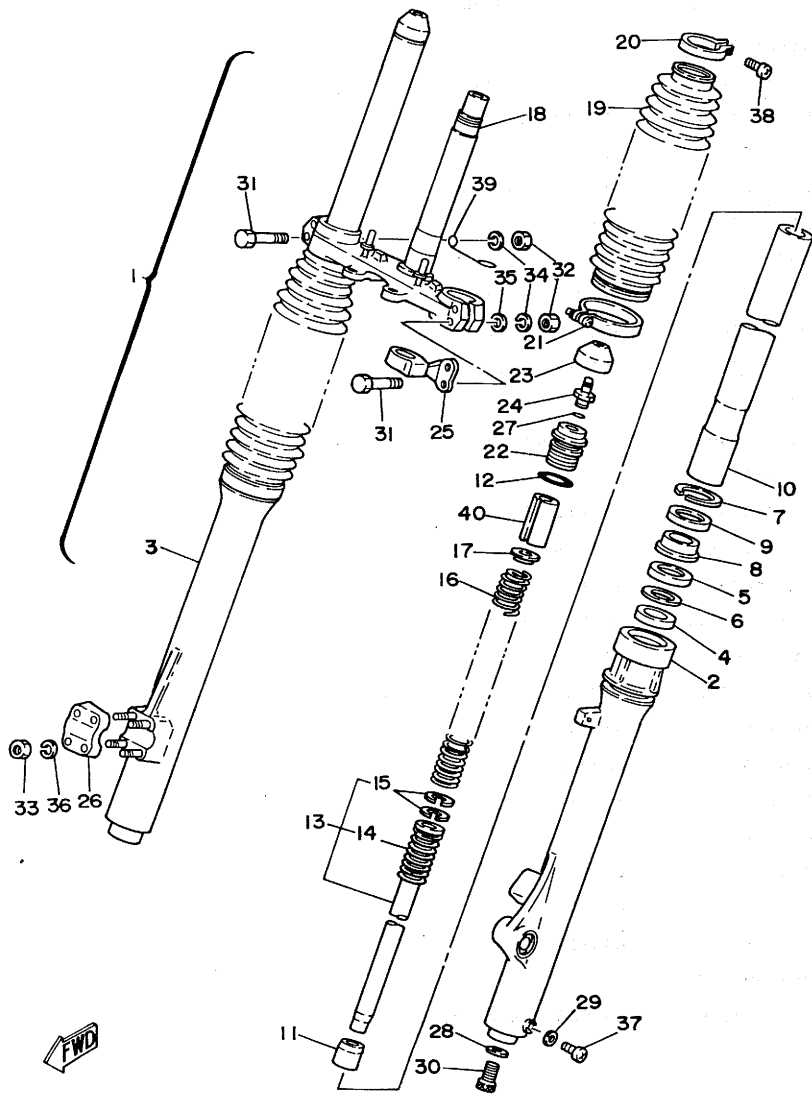
FIG. 20 FRONT FORK



REF. NO.	PART NO.	DESCRIPTION	Q'TY	REMARKS
1	4V5-23101-L0	FRONT FORK ASSY	1	
2	4V5-23126-L0	•TUBE, outer 1	1	
3	4V5-23136-L0	•TUBE, outer 2	1	
4	4V2-23125-L0	•METAL, slide 1	2	
5	1W4-23145-L0	•OIL SEAL	2	
6	4V2-23146-L0	•WASHER, oil seal	2	
7	3R4-23153-00	•RING, snap	2	
8	3R4-23144-00	•SEAL, dust	2	
9	3R4-23148-00	•COVER, dust seal	2	
10	4V2-23110-L0	•INNER TUBE COMP.1	2	
11	3R4-23173-L0	•SPINDLE, taPer	2	
12	1W4-23114-L0	•GASKET	2	
13	4V5-23170-L0	•CYLINDER COMP., front fork	2	
14	1W4-23151-L0	••SPRING, rebound	2	
15	4V2-23157-L0	••RING, Piston	4	
16	4V5-23141-L0	•SPRING, front fork	2	
17	1W4-23142-L0	•SEAT, sPring uPPer	2	
18	4V5-23340-L0-33	•UNDER BRACKET COMP.	1	yamaha black
19	3R4-23191-M0	•BOOT	2	
20	1W4-23192-L0	•BAND,boot	2	
21	1W4-23489-L0	•BAND	2	
22	1W4-23111-L1	•BOLT, caP	2	
23	1W1-23185-L0	•CAP, front fork	2	
24	509-23190-L0	•AIR VALVE COMP.	2	
25	3R4-23389-00	•GUIDE, cable	1	
26	4V2-23167-L0	•HOLDER, axle	1	
27	509-23163-L0	•O-RING	2	
28	509-23158-L0	•GASKET	2	

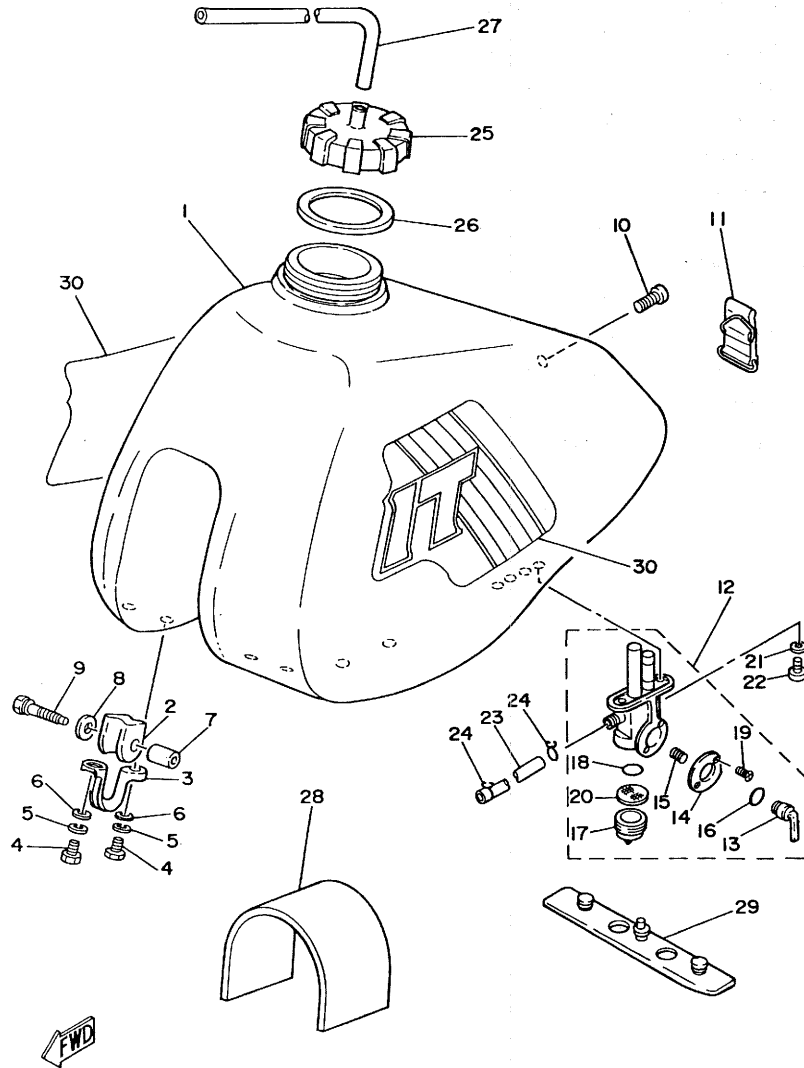
C13

FIG. 20 FRONT FORK



REF. NO.	PART NO.	DESCRIPTION	Q'TY	REMARKS
29	122-23129-00	•GASKET, drain Plug	2	
30	3R4-23181-L0	•BOLT, hexagon socket head	2	
31	90109-08397	•BOLT	4	
32	95311-08600	•NUT	4	
33	95311-06600	•NUT	4	
34	92901-08100	•WASHER, sPring	4	
35	90201-08544	•WASHER, Plate	3	
36	92901-06100	•WASHER, sPring	4	
37	122-23119-01	•PLUG, drain	2	
38	4V2-23194-L0	•SCREW, boot band	2	
39	4V5-23389-00	•GUIDE, cable	1	
40	1W4-23118-L0	•SPACER	2	

FIG. 21 FUEL TANK



REF. NO.	PART NO.	DESCRIPTION	Q'TY	REMARKS
1	4V5-24110-10	FUEL TANK COMP.	1	sky blue
2	1W1-24182-01	DAMPER, locating 2	2	
3	1W1-24144-01	HOLDER, damPer	2	
4	97301-06012	BOLT	4	
5	92901-06100	WASHER, sPring	4	
6	92901-06600	WASHER, Plate	4	
7	90387-07393	COLLAR	2	
8	90201-06407	WASHER, Plate	2	
9	90119-06022	BOLT, with washer	2	
10	98902-06018	SCREW, bind	1	
11	3R3-24173-00	BAND, tank fitting 1	1	
12	4V5-24500-00	FUEL COCK ASSY 1	1	
13	4V5-24524-00	•LEVER, cock	1	
14	4V5-24525-00	•PLATE, lever fitting	1	
15	357-24529-10	•SPRING	1	
16	4X8-24533-00	•SEAL, cock	1	
17	4X8-24521-00	•CUP, filter	1	
18	4X8-24565-00	•GASKET	1	
19	4X8-24535-00	•SCREW, lever fitting	2	
20	4X8-24515-00	•NET, filter 2	1	
21	90202-06010	WASHER, Plate	2	
22	90149-06011	SCREW	2	
23	90445-11152	HOSE	1	
24	90467-10008	CLIP	2	
25	1K7-24611-01	BODY, caP	1	
26	1K7-24612-02	GASKET, caP	1	
27	90445-09117	HOSE	1	
28	1W1-24183-00	DAMPER, locating 3	1	



FIG. 21 FUEL TANK

REF. NO.	PART NO.	DESCRIPTION	Q'TY	REMARKS
29	3R4-24181-00	DAMPER, locatin& 1	1	
30	4V5-24240-09	GRAPHIC SET	1	

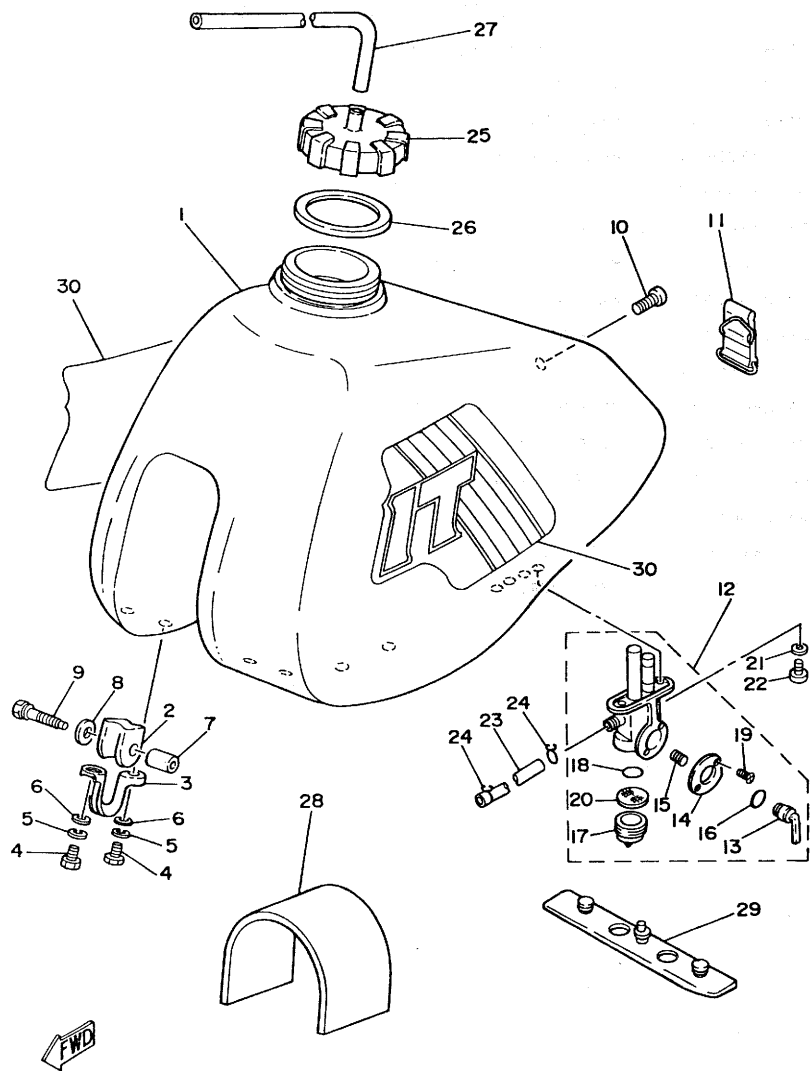
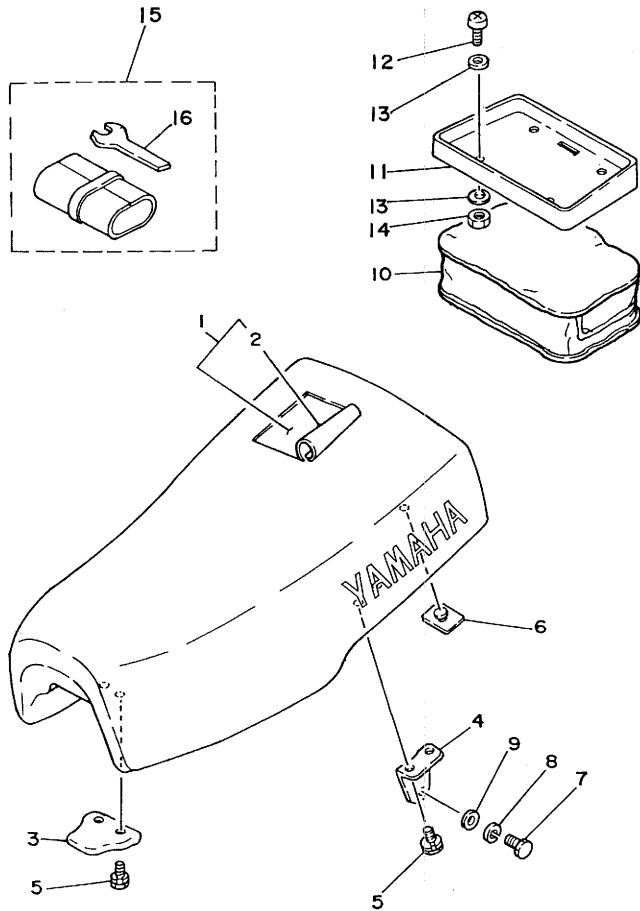
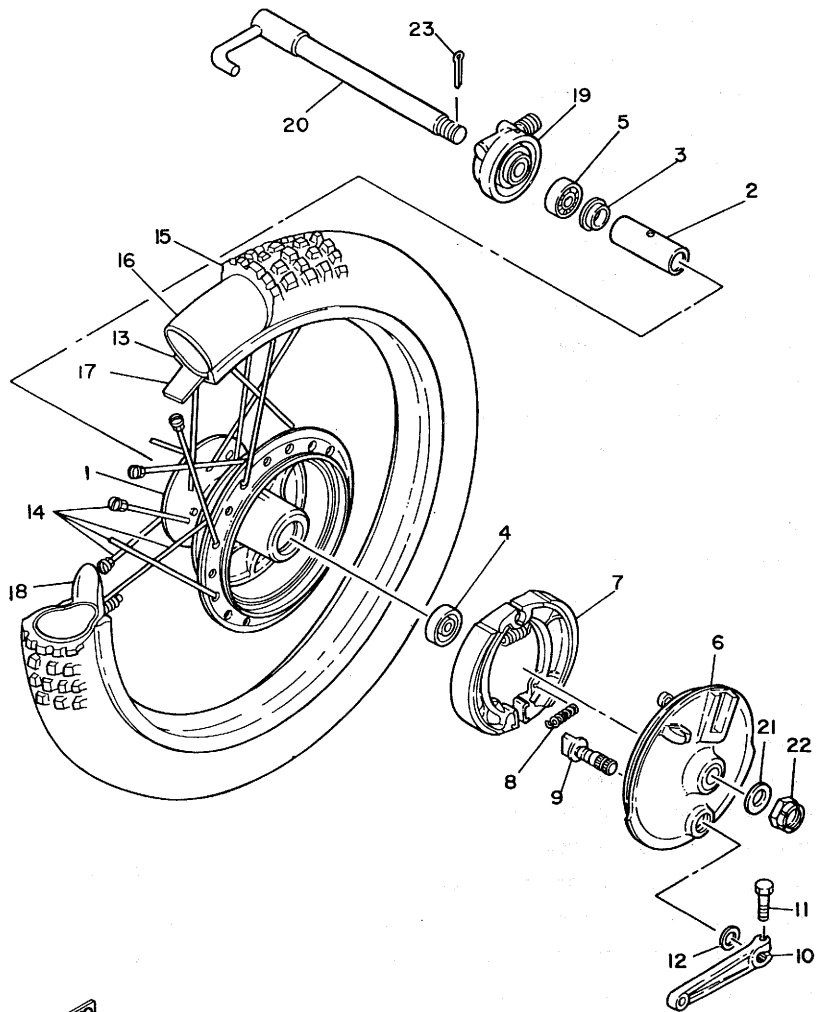


FIG. 22 SEAT



REF. NO.	PART NO.	DESCRIPTION	Q'TY	REMARKS
1	4V5-W2473-10	SEMI-DOUBLE SEAT ASSY	1	
2	4V5-24771-10	•COVER, semi-double seat	1	
3	1M1-24748-00	BRACKET, seat	1	
4	1W1-24738-00	BRACKET, seat	2	
5	90101-06304	BOLT	6	
6	509-24724-00	DAMPER, seat	2	
7	97301-06015	BOLT	2	
8	92902-06100	WASHER, sPring	2	
9	92902-06600	WASHER	2	
10	4V5-24850-00	CARRIER BOX ASSY	1	
11	4V5-24833-00	BRACKET, carrier 2	1	
12	92501-06020	SCREW, Pan head	4	
13	90201-06067	WASHER, Plate	8	
14	95602-06100	NUT, u	4	
15	1W2-28100-10	TOOL KIT	1	
16	1W1-28135-10	•SPANNER, sPecial	1	

FIG. 23 FRONT WHEEL

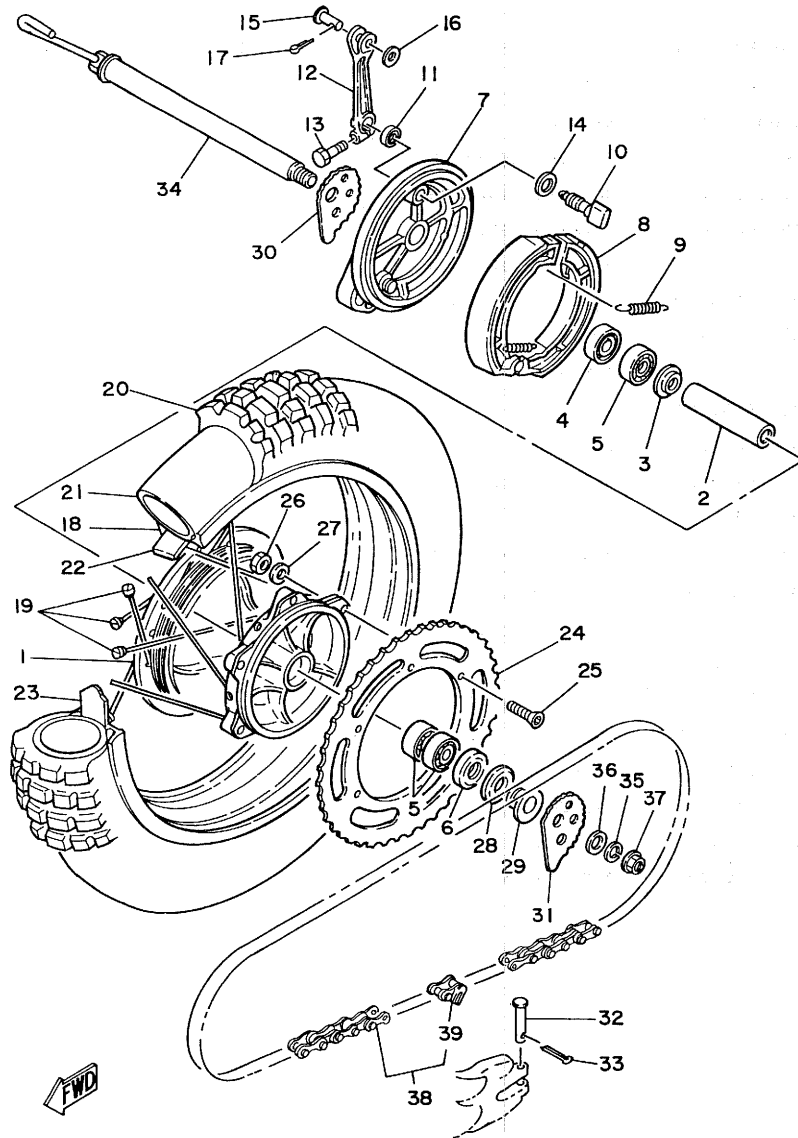


REF. NO.	PART NO.	DESCRIPTION	Q'TY	REMARKS
1	1K7-25111-10-98	HUB, front	1	low gloss black
2	90560-15116	SPACER	1	
3	146-25116-00	FLANGE, sPacer 2	1	
4	93306-20203	BEARING (B6202RS)	1	
5	93306-20205	BEARING (B6202)	1	
6	1W1-25121-01-98	PLATE, brake shoe	1	low gloss black
7	322-25130-00	BRAKE SHOE COMP.	2	
8	90506-16036	SPRING, tension	2	
9	3R4-25151-00	CAMSHAFT	1	
10	322-25155-00	LEVER, camshaft 1	1	
11	90101-06291	BOLT	1	
12	137-25159-00	SEAL, camshaft	1	
13	94416-21234	RIM (1.60-21)	1	
14	2W6-25104-01	SPOKE SET, front	1	
15	94130-21654	TIRE (3.00-21)	1	
16	94230-21126	TUBE (3.00-21)	1	
17	94330-21088	BAND, rim (3.00-21)	1	
18	2J5-25394-00	SPACER, bead	1	
19	1W2-25190-00	GEAR UNIT ASSY	1	
20	4V5-25181-00	AXLE, wheel	1	
21	90201-15785	WASHER, Plate	1	
22	90171-14020	NUT, castle	1	
23	91401-30030	PIN, cotter	1	

FWD

D4

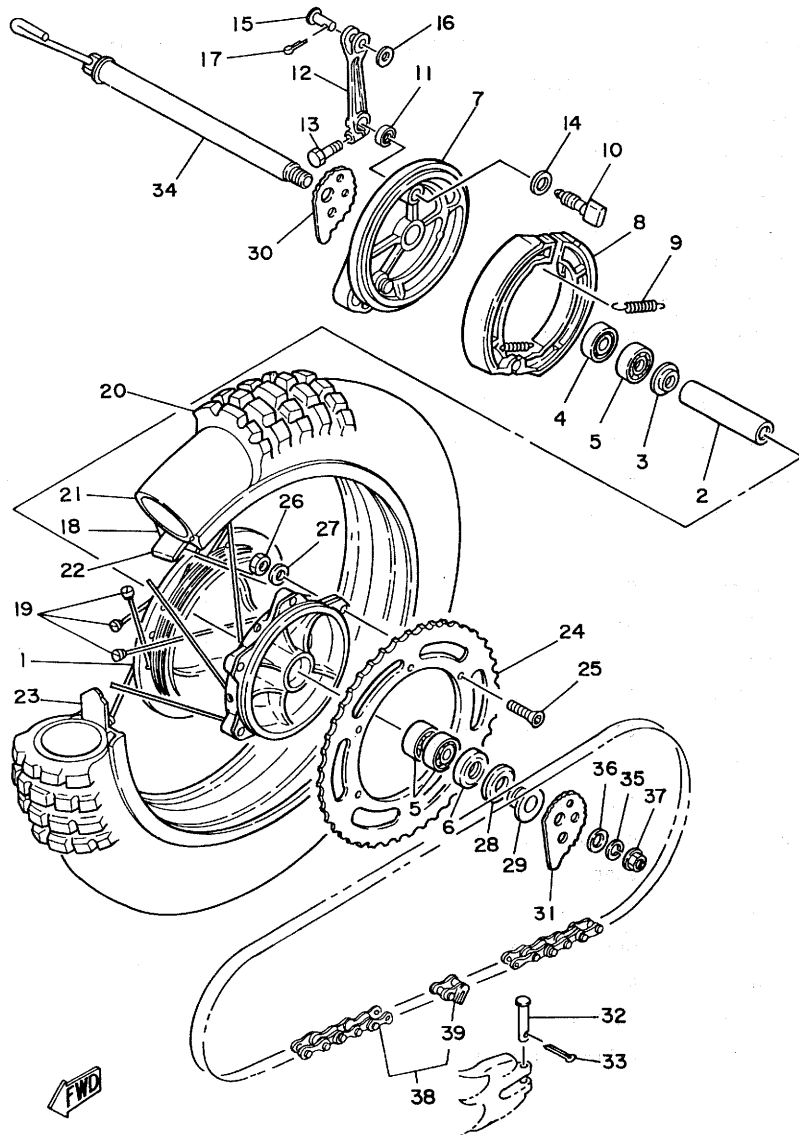
FIG. 24 REAR WHEEL



REF. NO.	PART NO.	DESCRIPTION	Q'TY	REMARKS
1	4V4-25311-00-98	HUB, rear	1	low gloss black
2	4V4-25317-00	SPACER, bearing	1	
3	4V4-25315-00	FLANGE, spacer	1	
4	93306-00418	BEARING	1	
5	93306-00406	BEARING (B6004Z)	3	
6	93102-28022	OIL SEAL	1	
7	4V5-25321-00-98	PLATE, brake shoe	1	low gloss black
8	4V4-25330-00	BRAKE SHOE COMP.	2	
9	90507-20002	SPRING, tension	2	
10	4V5-25151-00	CAMSHAFT	1	
11	148-25359-00	SEAL, camshaft	1	
12	431-25355-00	LEVER, camshaft	1	
13	90101-06291	BOLT	1	
14	148-25353-00	SHIM, camshaft	1	
15	1W2-27237-00	PIN, clevis	1	
16	90201-12631	WASHER, plate	1	
17	91401-25022	PIN, cotter	1	
18	94425-18280	RIM (2.50-18)	1	
19	4V4-25304-00	SPOKE SET, rear	1	
20	94151-18661	TIRE (5.10-18)	1	
21	94245-18125	TUBE (4.50-18)	1	
22	94345-18081	BAND, rim (4.50-18)	1	
23	2X5-25394-00	SPACER, bead	2	
24	3R6-25450-10-33	SPROCKET, driven (50T)	1	UR STD
	3R6-25446-10-33	SPROCKET, driven (46T)	1	yamaha black
	3R6-25448-10-33	SPROCKET, driven (48T)	1	AP yamaha black
	3R6-25452-10-33	SPROCKET, driven (52T)	1	AP yamaha black
25	90110-08038	BOLT, hexagon socket head	6	
26	90185-08054	NUT, self-locking	6	
27	90201-081A6	WASHER, plate	6	
28	4V4-25367-00	COVER, hub dust	1	

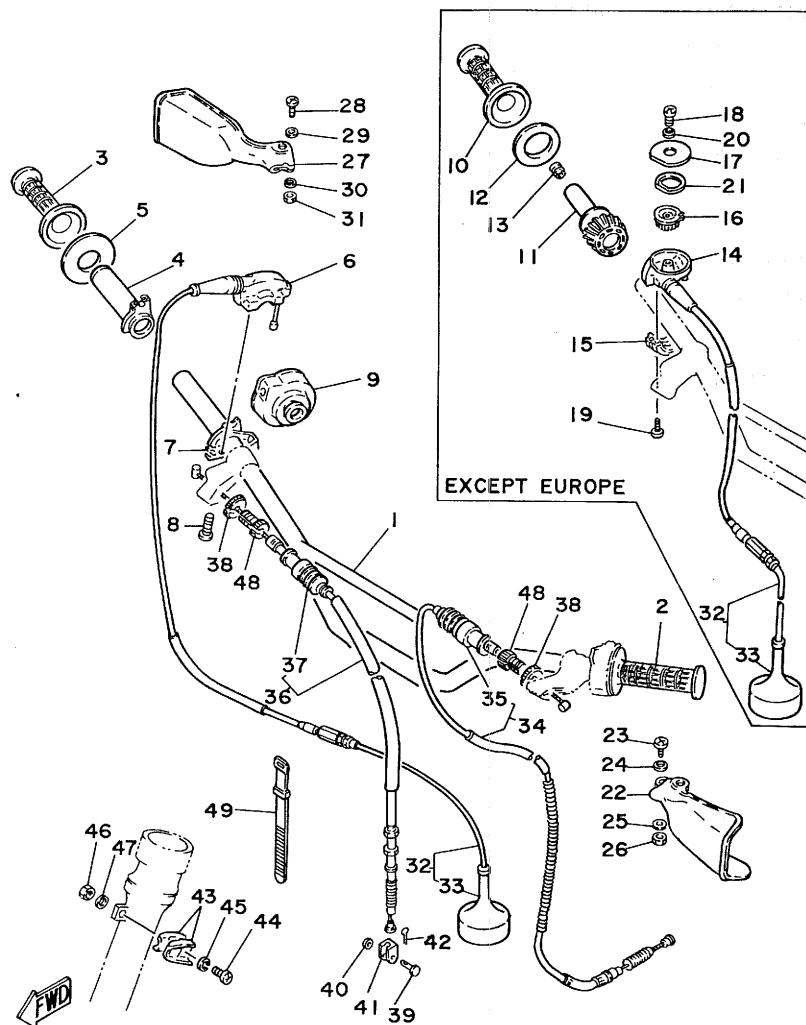
D5

FIG. 24 REAR WHEEL



REF. NO.	PART NO.	DESCRIPTION	Q'TY	REMARKS
29	90387-201E6	COLLAR	1	
30	4V5-25389-00	PULLER, chain 2	1	
31	4V5-25388-00	PULLER, chain 1	1	
32	91701-05055	PIN, clevis	2	
33	91401-16012	PIN, cotter	2	
34	4V5-25381-00	AXLE, wheel	1	
35	92901-18100	WASHER, sPrin8	1	
36	92901-20600	WASHER	1	
37	90179-18332	NUT	1	
38	94585-20108	CHAIN, drive (DID520DS 108L)	1	
39	94685-20001	•JOINT, chain	1	

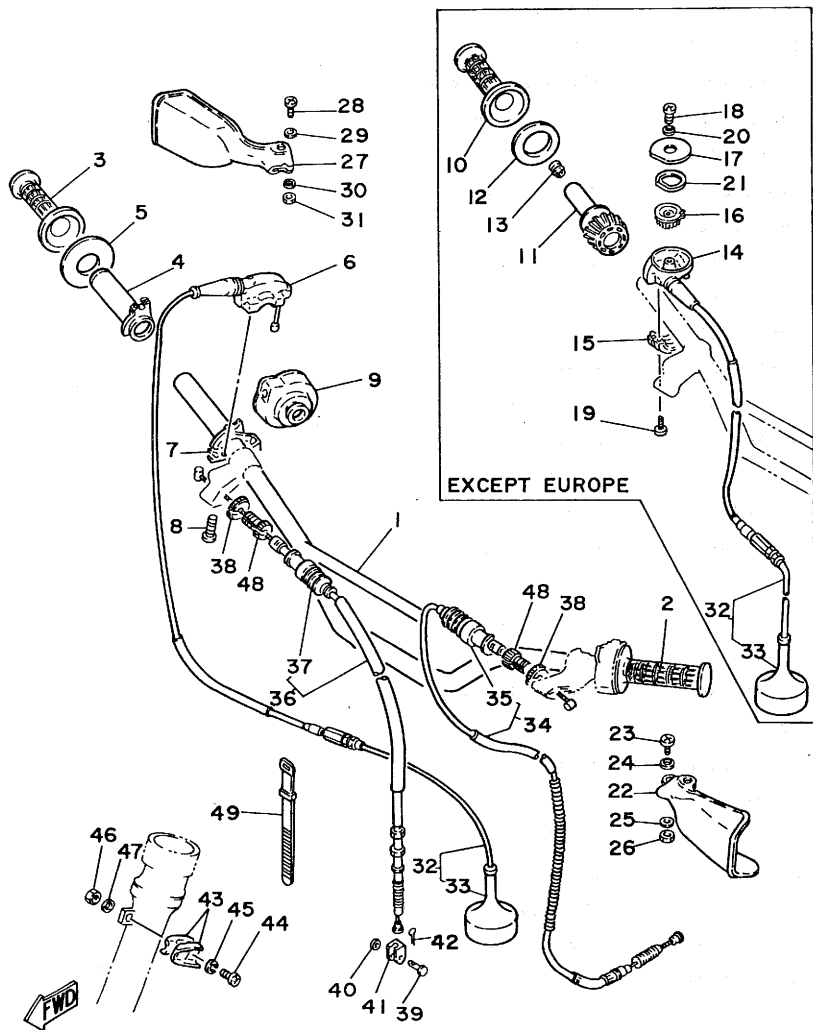
FIG. 25 HANDLEBAR CABLE



REF. NO.	PART NO.	DESCRIPTION	Q'TY	REMARKS
1	4V5-26111-00	HANDLEBAR	1	
2	4V4-26241-00	GRIP (L.H)	1	
3	3R9-26242-00	GRIP (R.H)	1	}
4	322-26243-00	TUBE, throttle guide	1	
5	1W1-26249-00	RING, leaf	1	
6	322-26281-00-98	CAP, grip upper	1	
7	322-26282-00-98	CAP, grip lower	1	FOR EUROPE
8	98501-05016	SCREW, Pan head	2	}
9	3R8-26287-00	COVER, cap grip	1	
10	4V4-26242-00	GRIP (R.H)	1	
11	4V6-26243-00	TUBE, throttle guide	1	
12	4V4-26249-00	RING, leaf	1	
13	688-82535-00	GROMMET	1	
14	4V4-26281-00	CAP, grip upper	1	
15	4V4-26282-00	CAP, grip lower	1	
16	4V6-2628E-00	GEAR, bevel	1	
17	4V4-2628F-00	CAP, gear	1	
18	98906-05010	SCREW, bind	1	}
19	98501-05016	SCREW, Pan head	2	
20	90430-05009	GASKET	1	
21	4V4-2628G-00	PACKING	1	
22	3R9-26141-00	GUARD, brush 1	1	
23	92501-06015	SCREW, Pan head	1	
24	92901-06600	WASHER, Plate	1	
25	92901-06200	WASHER, Plain	1	
26	95301-06700	NUT	1	
27	3R9-26142-00	GUARD, brush 2	1	
28	92501-06015	SCREW, Pan head	1	

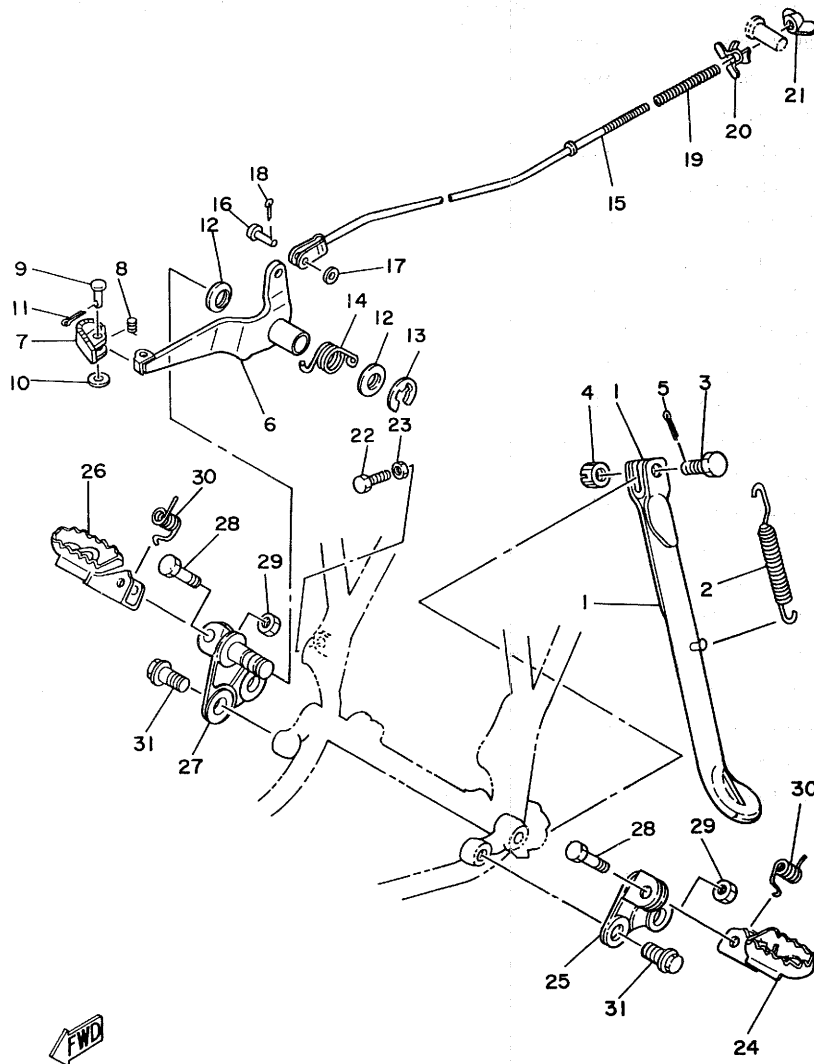
D7

FIG. 25 HANDLEBAR•CABLE



REF. NO.	PART NO.	DESCRIPTION	Q'TY	REMARKS
29	92901-06600	WASHER, Plate	1	
30	92901-06200	WASHER, Plain	1	
31	95301-06700	NUT	1	
32	2K8-26311-01	CABLE, throttle 1	1	FOR EUROPE
	4V4-26311-00	CABLE, throttle 1	1	EXCEPT EUROPE
33	510-26329-00	•CAP, rubber	1	
34	4V5-26335-00	CABLE, clutch	1	
35	1E6-26342-00	•BOOT, cable	1	
36	4V5-26341-00	CABLE, brake	1	
37	1E6-26342-00	•BOOT, cable	1	
38	90179-08148	NUT	2	
39	90240-08012	PIN, clevis	1	
40	90201-08083	WASHER, Plate	1	
41	156-26347-00	JOINT, cable	1	
42	91401-20012	PIN, cotter	1	
43	90462-14055	CLAMP	2	
44	92501-06025	SCREW, Pan head	1	
45	92901-06100	WASHER, sPring	1	
46	95301-06600	NUT	1	
47	92901-06600	WASHER, Plate	1	
48	90123-08046	BOLT	2	
49	437-83936-10	BAND, switch cord	1	

FIG. 26 STAND.FOOTREST



REF. NO.	PART NO.	DESCRIPTION	Q'TY	REMARKS
1	4V5-27311-00-33	STAND, side	1	yamaha black
2	90507-29008	SPRING, tension	1	
3	90102-10006	BOLT, with hole	1	
4	95302-10900	NUT, slotted	1	
5	91401-20025	PIN, cotter	1	
6	4V5-27211-00	PEDAL, brake	1	
7	3R8-27242-00	PEDAL, brake	1	
8	90508-14429	SPRING, torsion	1	
9	91701-06028	PIN, clevis	1	
10	92901-06600	WASHER, Plate	1	
11	91401-20012	PIN, cotter	1	
12	4V5-27286-00	COVER, dust	2	
13	93430-10015	CIRCLIP	1	
14	90508-32478	SPRING, torsion	1	
15	2X4-27231-01	ROD, brake	1	
16	90240-06040	PIN, clevis	1	
17	92901-06200	WASHER, Plain	1	
18	91401-20012	PIN, cotter	1	
19	90501-10245	SPRING, compression	1	
20	1W2-27239-00	SEAT, spring	1	
21	90175-06013	NUT, wing	1	
22	97301-06020	BOLT	1	
23	95301-06700	NUT	1	
24	4V4-27411-00	FOOTREST 1	1	
25	4V5-27412-00	BRACKET, footrest 1	1	
26	4V4-27411-00	FOOTREST 1	1	
27	4V5-27422-00	BRACKET, footrest 2	1	
28	90101-08428	BOLT	2	

D9



FIG. 26 STAND-FOOTREST

REF. NO.	PART NO.	DESCRIPTION	Q'TY	REMARKS
29	95601-08100	NUT, u	2	
30	90508-20023	SPRING, torsion	2	
31	90105-12096	BOLT, washer based	4	

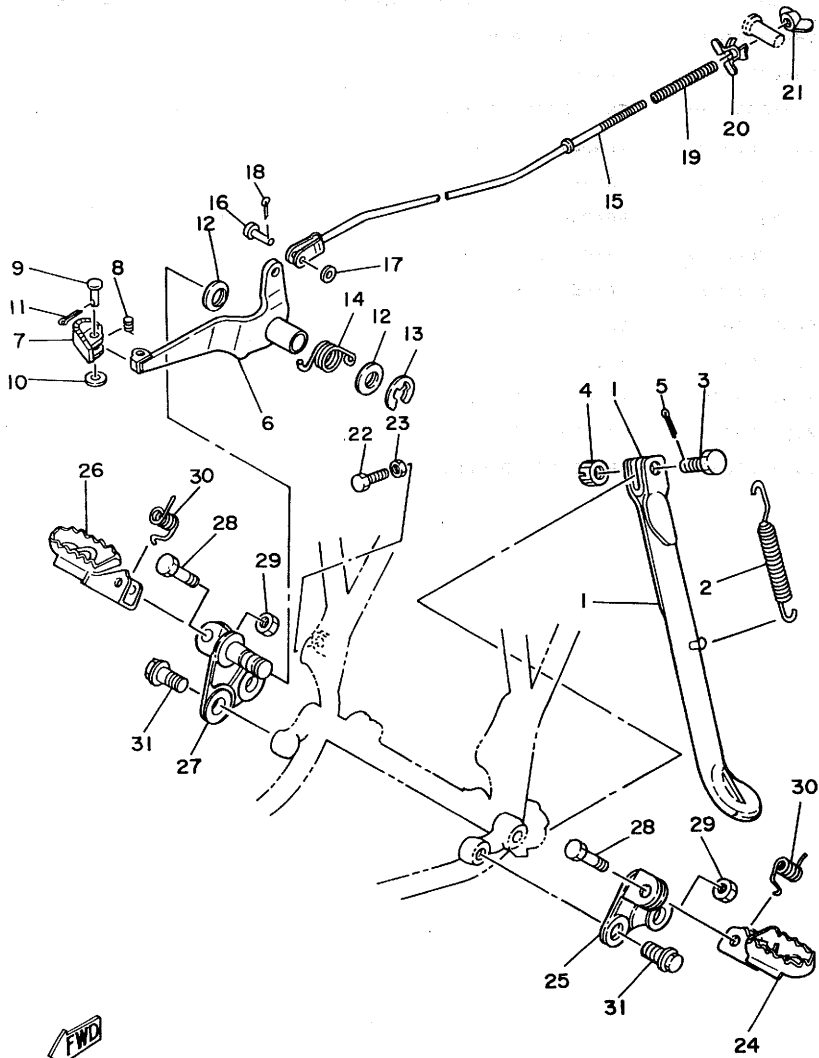
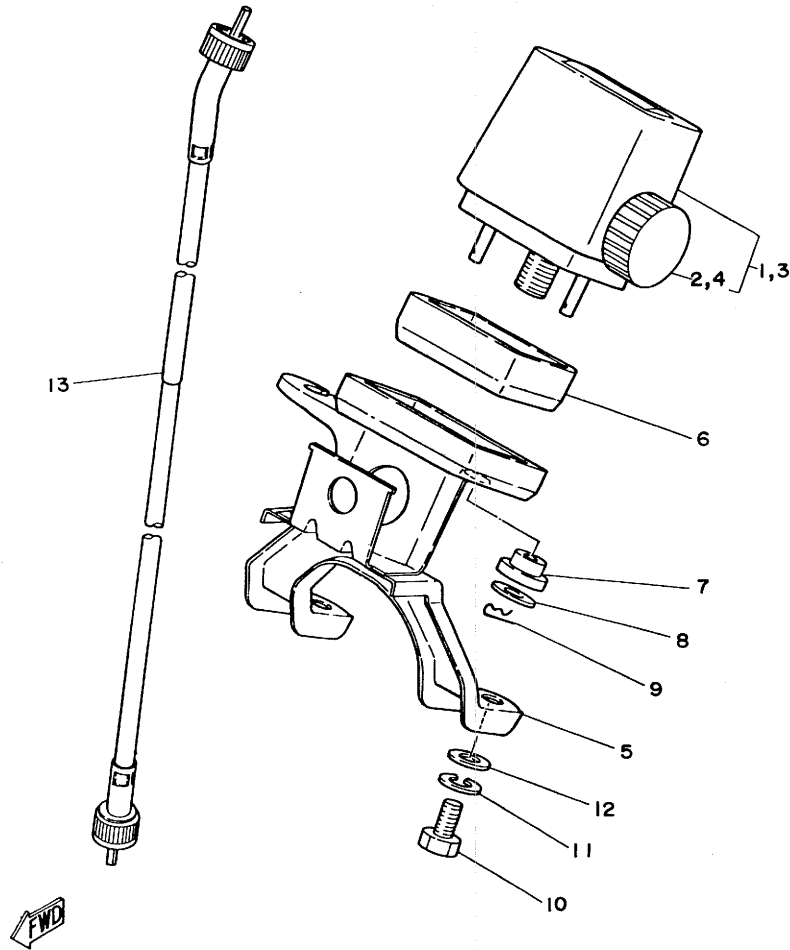


FIG. 27 METER



REF. NO.	PART NO.	DESCRIPTION	Q'TY	REMARKS
1	4V5-83505-F0	TRIP METER COMP.	1	UR km
2	4V5-83578-00	•KNDB, trip meter	1	
3	4V5-83505-60	TRIP METER COMP.	1	UR mile
4	4V5-83578-00	•KNDB, trip meter	1	
5	4V5-83513-00	DAMPER	1	
6	4V5-83519-00	BRACKET, meter	1	
7	1M1-83526-00	DAMPER 2	2	
8	1E6-83524-60	WASHER, sPecial	2	
9	90468-12007	CLIP	2	
10	97321-06012	BOLT	2	
11	92901-06100	WASHER, sPring	2	
12	92901-06600	WASHER, Plate	2	
13	4V5-83550-00	SPEEDOMETER CABLE ASSY	1	

D11

FIG. 28 HEADLIGHT

REF. NO.	PART NO.	DESCRIPTION	Q'TY	REMARKS
1	4V5-84110-00	HEADLIGHT UNIT ASSY	1	
2	4G2-84114-00	•BULB, headlight	1	
3	4V5-84140-00	•SOCKET CORD ASSY	1	
4	4V5-84130-10	BODY ASSY, headlight	1	sky blue
5	4V5-84132-00	SPRING, screw	1	
6	849-84724-00	SCREW, lens fitting	1	
7	92901-04600	WASHER, Plate	2	
8	4V5-84134-00	NUT, adjust	1	
9	4V5-84143-00	DAMPER, headlight stay	1	
10	90480-12053	GROMMET	2	
11	4V5-83592-00	DAMPER	1	
12	4V5-84141-00	EMBLEM, headlight	1	

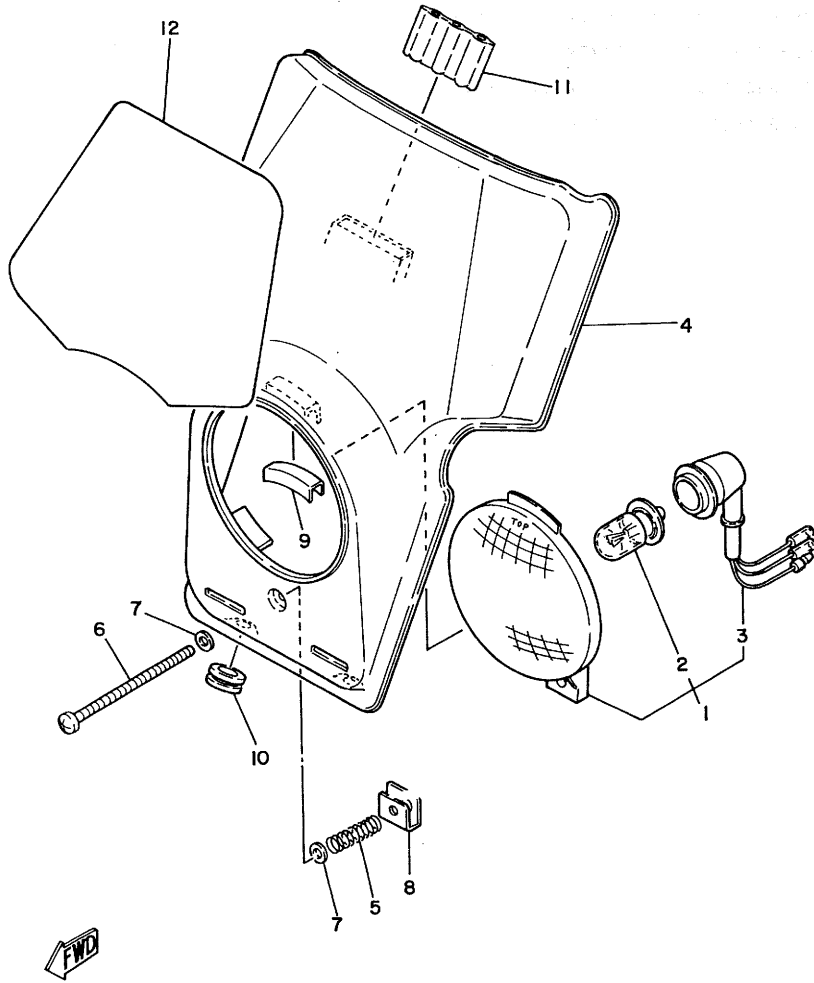
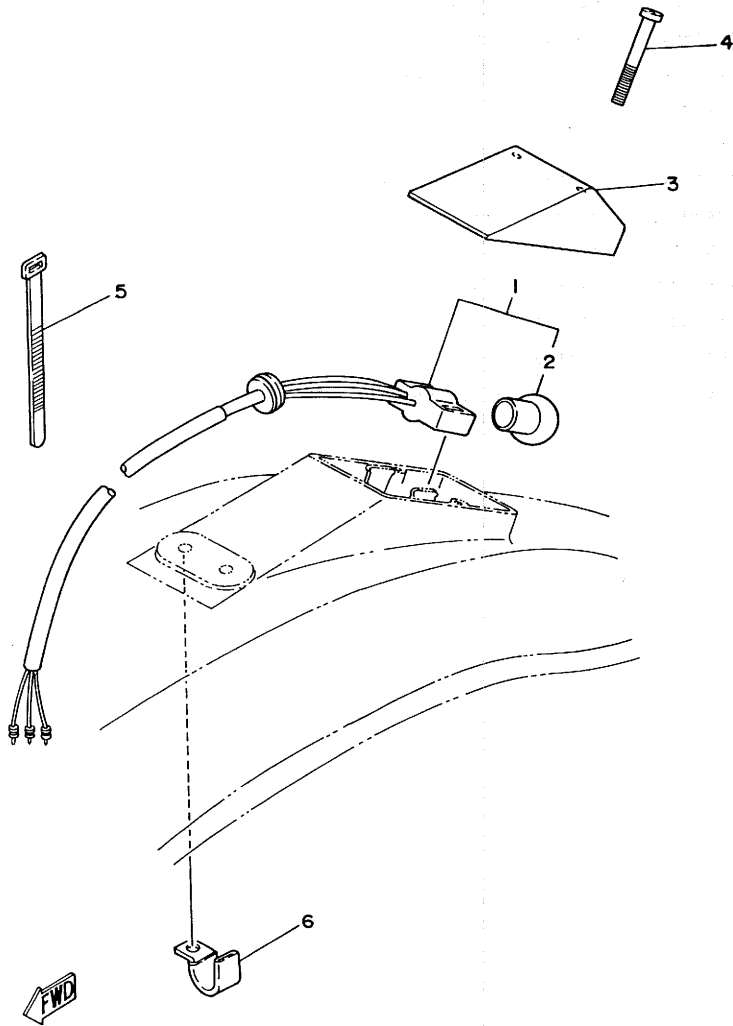


FIG. 29 TAILLIGHT

REF. NO.	PART NO.	DESCRIPTION	Q'TY	REMARKS
1	4V5-84530-00	SOCKET ASSY	1	
2	122-84514-30	BULB (6V-17/5.3W)	1	
3	4V5-84521-00	LENS, taillight	1	
4	802-84131-00	SCREW, rim adjuster	2	
5	437-83936-00	BAND, switch cord	2	
6	90462-05005	CLAMP	1	



**D13**

FIG. 30 ELECTRICAL 1

REF. NO.	PART NO.	DESCRIPTION	Q'TY	REMARKS
1	1M2-82310-40	IGNITION CDIL ASSY	1	
2	92501-06025	SCREW, Pan head	2	
3	92901-06100	WASHER, sPring	2	
4	90462-05005	CLAMP	1	
5	3R0-82370-20	PLUG CAP ASSY	1	UR
	8E7-82370-11	PLUG CAP ASSY	1	UR with noise suppressor
6	4V5-82590-00	WIRE HARNESS ASSY	1	
7	437-83936-00	BAND, switch cord	4	
8	256-83936-00	BAND, switch cord	1	

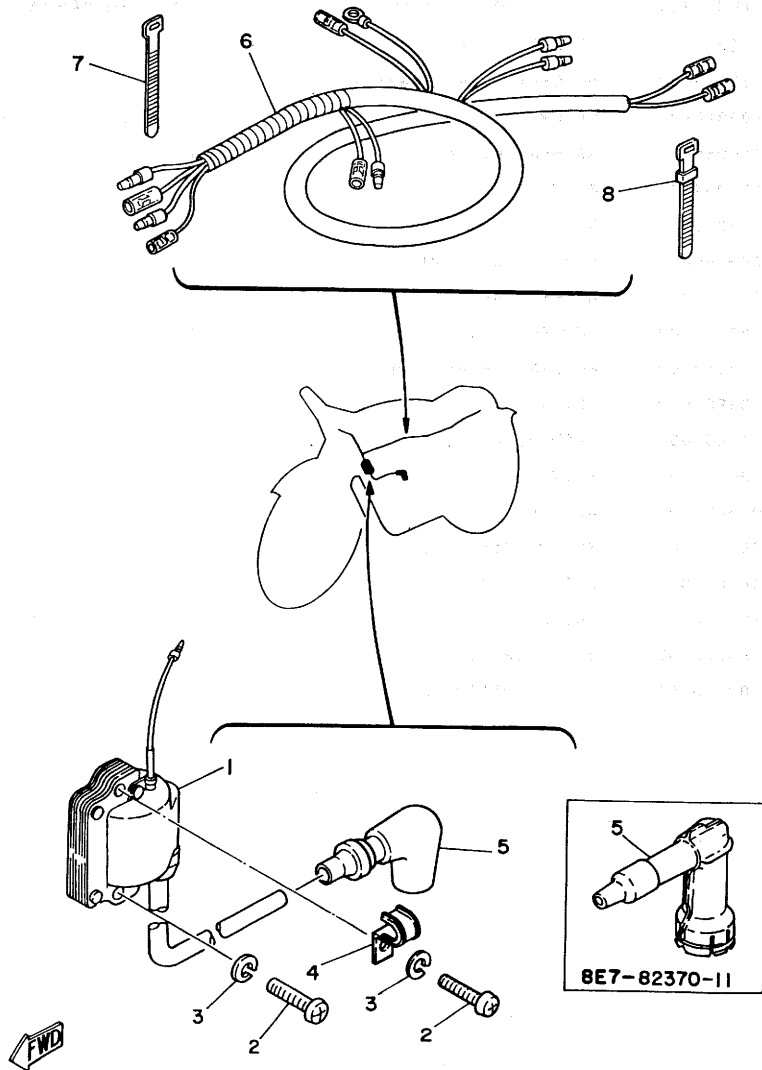
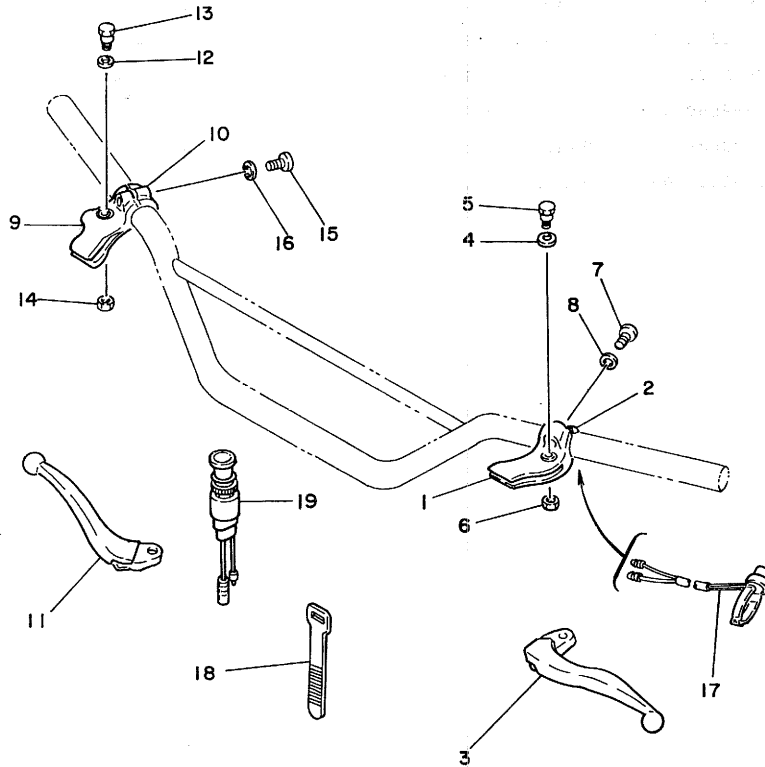


FIG. 31 HANDLE SWITCH•LEVER



REF. NO.	PART NO.	DESCRIPTION	Q'TY	REMARKS
1	4V4-82911-00	HOLDER, lever 1	1	
2	4V4-82913-00	HOLDER, lever lower 1	1	
3	3M2-83912-00	LEVER 1	1	
4	90201-08083	WASHER, Plate	1	
5	90109-06410	BOLT	1	
6	95601-06100	NUT, u	1	
7	98506-05020	SCREW, Pan head	2	
8	92906-05100	WASHER, sPring	2	
9	4V4-82921-00	HOLDER, lever 2	1	
10	4V4-82913-00	HOLDER, lever lower 1	1	
11	3M2-83922-00	LEVER 2	1	
12	90201-08083	WASHER, Plate	1	
13	90109-06410	BOLT	1	
14	95601-06100	NUT, u	1	
15	98506-05020	SCREW, Pan head	2	
16	92906-05100	WASHER, sPring	2	
17	3R4-83976-00	SWITCH, handle 1	1	
18	437-83936-00	BAND, switch cord	2	
19	4V5-82520-00	LIGHT SWITCH ASSY	1	

FWD

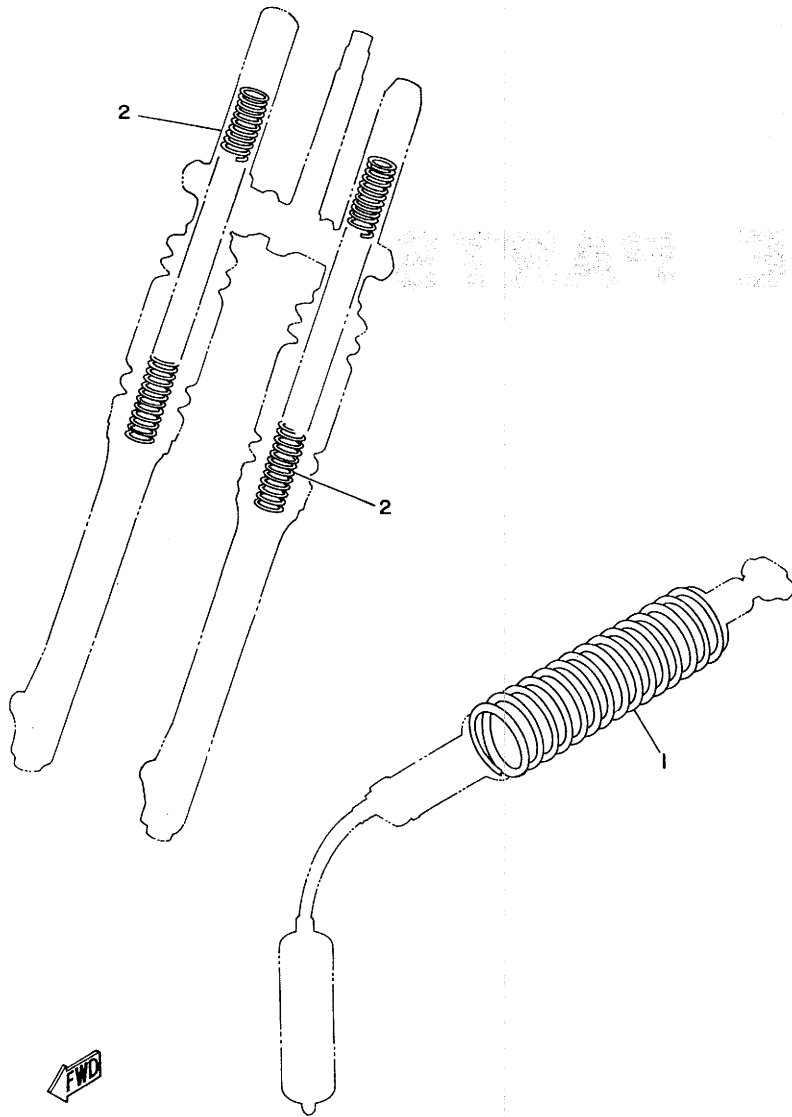
D15

# ALTERNATE PARTS



FIG. 32 ALTERNATE (CHASSIS)

Ref.No.	Part No.	Description	Q'ty	Remarks
1	4V5-22212-10	SPRING	1	UR SOFT (YELLOW · PURPLE)
	4V5-22212-20	SPRING	1	UR HARD (YELLOW · WHITE)
2	4V5-23141-10	SPRING, front fork (K1=0.277, K2=0.314)	2	UR SOFT
	4V5-23141-20	SPRING, front fork (K1=0.339, K2=0.385)	2	UR HARD



**E2**



# REPAIR KIT



FIG. 33 REPAIR KIT

REF. NO.	PART NO.	DESCRIPTION	Q'TY	REMARKS
1	4V5-11630-00	PISTON ASSY (STD)	1	
2	4V5-11631-00-95	•PISTON (STD)	1	UR
	4V5-11631-00-97	•PISTON (STD)	1	UR
3	2X7-11610-00	•PISTON RING SET (STD)	1	
4	214-11633-00	•PIN, Piston	1	
5	93450-19052	•CIRCLIP	2	
6	4V5-11630-10	PISTON ASSY (1ST O/S)	1	
7	4V5-11635-00	•PISTON (1ST O/S 0.25MM)	1	
8	2X7-11610-10	•PISTON RING SET (1ST O/S)	1	
9	214-11633-00	•PIN, Piston	1	
10	93450-19052	•CIRCLIP	2	
11	4V5-11630-20	PISTON ASSY (2ND O/S)	1	
12	4V5-11636-00	•PISTON (2ND O/S 0.50MM)	1	
13	2X7-11610-20	•PISTON RING SET (2ND O/S)	1	
14	214-11633-00	•PIN, Piston	1	
15	93450-19052	•CIRCLIP	2	
16	4V5-11630-30	PISTON ASSY (3RD O/S)	1	
17	4V5-11637-00	•PISTON (3RD O/S 0.75MM)	1	
18	2X7-11610-30	•PISTON RING SET (3RD O/S)	1	
19	214-11633-00	•PIN, Piston	1	
20	93450-19052	•CIRCLIP	2	
21	4V5-11630-40	PISTON ASSY (4TH O/S)	1	
22	4V5-11638-00	•PISTON (4TH O/S 1.00MM)	1	
23	2X7-11610-40	•PISTON RING SET (4TH O/S)	1	
24	214-11633-00	•PIN, Piston	1	
25	93450-19052	•CIRCLIP	2	
26	498-11650-00	CONNECTING ROD ASSY	1	
27	498-11651-00	•ROD, connectin	1	

E3

FIG. 33 REPAIR KIT

REF. NO.	PART NO.	DESCRIPTION	Q'TY	REMARKS
28	2X4-11681-00	.PIN, crank 1	1	
29	93310-42541	.BEARING, cylindrical	1	
30	90209-25085	.WASHER	2	
31	93310-21874	.BEARING, cylindrical	1	
32	4v5-W0001-00	GASKET KIT	1	
33	1W3-11181-00	.GASKET, cylinder head 1	1	
34	3R4-11351-00	.GASKET, cylinder	1	
35	2K7-13621-00	.GASKET, valve seat	1	
36	363-14184-00	.GASKET, float chamber	1	
37	4v5-15451-00	.GASKET, crankcase cover	1	
38	3R4-15462-00	.GASKET, crankcase cover 3	1	
39	93210-14104	.O-RING	1	
40	90430-06016	.GASKET	1	
41	90430-12038	.GASKET	1	
42	93210-29282	.O-RING	1	
43	3R4-14613-00	.GASKET, exhaust Pipe	1	
44	2K7-W0003-00	OIL SEAL KIT	1	
45	93103-30092	.OIL SEAL	1	
46	93103-40091	.OIL SEAL	1	
47	93102-17004	.OIL SEAL	1	
48	93102-32136	.OIL SEAL	1	
49	93101-12004	.OIL SEAL	1	
50	93109-20014	.OIL SEAL	1	



# INDEX

NUMERICAL INDEX

PART NO.	REF. NO.	PART NO.	REF. NO.
4V5-W0001-00	33-32	4V5-11638-00	33-22
2K7-W0003-00	33-44	498-11650-00	33-26
4V5-W1441-00	4-22	498-11651-00	2-10
3R4-W1442-01	4-29		33-27
4V5-W2473-10	22- 1	2X4-11681-00	2- 9
3R4-11111-00	1- 1		33-28
2N6-11127-00	1-13	4V3-13565-00	4- 7
4V5-11161-00	1-14	4V3-13581-00	4- 8
1W3-11181-00	1- 2	4V3-13584-01	4-11
	33-33	2X5-13610-00	4- 1
4V5-1131E-00	1-15	2K7-13613-00	4- 2
4V5-11311-00	1- 6	2X5-13616-00	4- 3
3R4-11351-00	1- 7	2K7-13621-00	4- 6
	33-34		33-35
4V5-11400-00	2- 6	4V5-14101-00	5- 1
4V5-11412-00	2- 7	2X7-14112-20	5-27
3R4-11422-00	2- 8	510-14115-00	5-31
2X7-11610-00	2- 2	239-14116-34	5-33
	33-3	2A0-14122-00	5-25
2X7-11610-10	2- 2	1W3-14123-00	5-23
	33- 8	363-14131-00	5-17
2X7-11610-20	2- 2	137-14133-00	5-22
	33-13	256-14135-00	5-40
2X7-11610-30	2- 2	509-14136-00	5-35
	33-18	164-14137-00	5-34
2X7-11610-40	2- 2	363-14137-00	5-21
	33-23	737-14137-00	5-39
4V5-11630-00	33- 1	239-14141-28	5- 5
4V5-11630-10	33- 6	193-14142-50	5- 4
4V5-11630-20	33-11	137-14143-78	5- 6
4V5-11630-30	33-16	137-14143-80	5- 6
4V5-11630-40	33-21	137-14143-82	5- 6
4V5-11631-00-95	2- 1	3R4-14146-00	5-29
	33- 2	558-14147-00	5-32
4V5-11631-00-97	2- 1	509-14155-01	5-20
	33- 2	1W3-14158-00	5-43
214-11633-00	2- 3	127-14161-00	5-19
	33- 4	802-14161-00	5-26
	33- 9	1M1-14169-00	5-24
	33-14	1W1-14171-00	5-42
	33-19	2X7-14173-00	5-37
	33-24	802-14174-00	5-36
4V5-11635-00	2- 1	1W3-14175-00	5-44
	33- 7	1W3-14178-00	5-41
4V5-11636-00	2- 1	3R4-14181-16	5- 2
	33-12	363-14184-00	5- 3
4V5-11637-00	2- 1		33-36
	33-17	2N7-14185-00	5- 7
4V5-11638-00	2- 1		

PART NO.	REF. NO.	PART NO.	REF. NO.
537-14186-00	5- 9	3R4-15660-00	9- 1
239-14190-30	5- 8	3R4-15664-00	9- 6
2X7-14194-00	5-30	3R4-16111-00	10- 1
239-14195-00	5-10	3R4-16150-00	10- 7
2K7-14197-00	5-11	2K7-16154-00	10-15
310-14197-00	5-14	2K7-16181-00	10-14
509-14198-00	5-18	4V3-16300-00	10- 6
737-14241-00	5-38	383-16321-00	10-11
509-14274-00	5-28	168-16325-00	10-10
4V3-1441K-00	4- 9	1M1-16351-00	10- 9
4V5-14412-00	4-26	3R4-16356-00	10-18
4V5-14452-01	4-27	2K7-16357-00	10-24
4V5-14455-00	4-28	3R4-16371-00	10- 8
1W4-14457-00	4-23	4V4-16380-00	10-29
3R4-14458-00	4-30	4V5-17121-00	11- 8
4V4-14459-00	4-31	4V5-17131-00	11- 6
4V4-14484-00	4-35	4V5-17151-00	11- 3
4V3-14493-00	4-10	3R4-17161-03	11- 7
4V4-14499-00	4-36	2X7-17211-00	11-20
4V5-14610-00	6- 1	4V5-17221-00	11-12
3R4-14613-00	6- 2	4V5-17231-00	11-18
	33-43	4V5-17241-00	11-17
3R4-14619-01	1-12	4V5-17251-00	11-19
1M1-14714-00	6- 9	3R4-17261-02	11-15
565-14747-00	6-13	4V5-17411-00	11- 1
4V5-14752-00	6-12	3R4-17421-00	11-11
4V5-14753-00	6-11	1W4-17461-30	11-27
565-14771-00	6-17	1W4-17461-40	11-27
3R4-14781-02	6- 4	1W4-17461-50	11-27
3R4-15111-00	7- 1	3R4-18101-01	13- 1
3R4-15113-00	7-16	4V4-18111-04	13- 2
3R4-15118-00	7-14	1W6-18113-00	13- 6
3R4-15121-01	7- 8	3R4-18140-00	12- 7
1G8-15362-00	8-11	3R8-18162-00	13- 3
3R4-15381-00	7-12	1W1-18177-00	12- 9
3R4-15383-00	7- 5	3R4-18185-00	12- 2
4V5-15411-00	8- 1	3R4-18511-01	12-10
3R4-15421-00	8- 4	3R4-18512-01	12-11
3R4-15431-01	8- 8	3R4-18513-01	12-12
4V5-15451-00	8- 2	4V4-18531-00	12-14
	33-37	4V4-18535-00	12-15
	8- 9	3R4-18540-02	12- 1
	33-38	3R4-18561-00	12- 3
2K7-15618-00	9-17	4V5-21110-00-33	14- 1
4V3-15620-00	9-11	3R4-2139W-00	14-23
4V3-15621-00	9-12	3R4-21415-00	14- 2
3R4-15641-00	9- 2	4V3-21425-00	14- 4
3R4-15651-00	9- 7	4V5-2147A-00	14-24

NUMERICAL INDEX

PART NO.	REF. NO.	PART NO.	REF. NO.
4V5-2147E-00	14-25	122-23119-01	20-37
2K7-2148A-00	14-15	4V2-23125-L0	20- 4
3R8-21511-11	15- 1	4V5-23126-L0	20- 2
4V5-21610-10	15- 6	122-23129-00	20-29
1M1-21621-00	15-14	4V5-23136-L0	20- 3
4V5-21629-00	15-10	4V5-23141-L0	20-16
4V5-21711-10-26	16- 1	4V5-23141-10	32- 2
4V5-21721-10-26	16- 7	4V5-23141-20	32- 2
2J5-21732-00	14-26	1W4-23142-L0	20-17
4V5-21737-00	16-12	3R4-23144-00	20- 8
565-21746-00	15-15	1W4-23145-L0	20- 5
4V5-22110-00-35	17- 1	4V2-23146-L0	20- 6
1W1-22128-00	18-32	3R4-23148-00	20- 9
3R4-22129-00	17- 7	1W4-23151-L0	20-14
3R4-22141-00	17-13	3R4-23153-00	20- 7
3R4-22147-00	17-30	4V2-23157-L0	20-15
431-22151-03	17-12	509-23158-L0	20-28
3R5-22153-00	17-17	509-23163-L0	20-27
4V4-22178-00	14-16	4V2-23167-L0	20-26
2X4-22179-00	17-16	4V5-23170-L0	20-13
4V4-22184-00	14-17	3R4-23173-L0	20-11
2X4-22199-00	17-18	3R4-23181-L0	20-30
4V5-22210-00	18- 1	1W1-23185-L0	20-23
4V5-22212-00	18-19	509-23190-L0	20-24
4V5-22212-10	32- 1	3R4-23191-M0	20-19
4V5-22212-20	32- 1	1W4-23192-L0	20-20
3R4-22213-00	18-17	4V2-23194-L0	20-38
3R4-22214-00	18-20	1W2-23318-L0	19-12
1W1-22216-00	18- 3	4V5-23340-L0-33	20-18
3R4-22221-01	18-16	3R4-23389-00	19-16
3R4-22223-00	18-22		20-25
3R4-22224-00	18-21	4V5-23389-00	20-39
3R4-22226-00	18-12	1W1-23416-00	19-10
3R4-22228-00	18-10	1W4-23435-00-98	19- 1
3R4-22261-00	18-34	1E6-23441-00-98	19- 6
4V4-22262-01	18-35	1W4-23489-L0	20-21
4V5-22311-00	17-34	4V5-24110-10	21- 1
4V5-22401-00	18- 2	1W1-24144-01	21- 3
3R4-22409-00	18-11	3R3-24173-00	21-11
4L0-22472-00	18- 8	3R4-24181-00	21-29
3R4-22473-00	18- 7	431-24181-00	14-27
3R4-22475-00	18- 6		16- 6
3R4-22489-00	18- 5	1W1-24182-01	21- 2
1W1-22493-00	18- 9	1W1-24183-00	21-28
3R4-22497-00	18-14	4V5-24240-09	21-30
4V5-23101-L0	20- 1	4V5-24500-00	21-12
4V2-23110-L0	20-10	4X8-24515-00	21-20
1W4-23111-L1	20-22	4X8-24521-00	21-17
1W4-23114-L0	20-12	4V5-24524-00	21-13
1W4-23118-L0	20-40	4V5-24525-00	21-14
		357-24529-10	21-15

NUMERICAL INDEX

PART NO.	REF. NO.	PART NO.	REF. NO.
4X8-24533-00	21-16	4V6-26243-00	25-11
4X8-24535-00	21-19	1W1-26249-00	25- 5
4X8-24565-00	21-18	4V4-26249-00	25-12
1K7-24611-01	21-25	4V6-2628E-00	25-16
1K7-24612-02	21-26	4V4-2628F-00	25-17
509-24724-00	22- 6	4V4-2628G-00	25-21
1W1-24738-00	22- 4	322-26281-00-98	25- 6
1M1-24748-00	22- 3	4V4-26281-00	25-14
4V5-24771-10	22- 2	322-26282-00-98	25- 7
4V5-24833-00	22-11	4V4-26282-00	25-15
4V5-24850-00	22-10	3R8-26287-00	25- 9
2W6-25104-01	23-14	2K8-26311-01	25-32
1K7-25111-10-98	23- 1	4V4-26311-00	25-32
146-25116-00	23- 3	510-26329-00	25-33
1W1-25121-01-98	23- 6	4V5-26335-00	25-34
322-25130-00	23- 7	4V5-26341-00	25-36
3R4-25151-00	23- 9	1E6-26342-00	25-35
4V5-25151-00	24-10		25-37
322-25155-00	23-10	156-26347-00	25-41
137-25159-00	23-12	4V5-27211-00	26- 6
4V5-25181-00	23-20	2X4-27231-01	26-15
1W2-25190-00	23-19	1W2-27237-00	24-15
4V4-25304-00	24-19	1W2-27239-00	26-20
4V4-25311-00-98	24- 1	3R8-27242-00	26- 7
4V4-25315-00	24- 3	4V5-27286-00	26-12
4V4-25317-00	24- 2	4V5-27311-00-33	26- 1
4V5-25321-00-98	24- 7	4V4-27411-00	26-24
4V4-25330-00	24- 8		26-26
148-25353-00	24-14	4V5-27412-00	26-25
431-25355-00	24-12	4V5-27422-00	26-27
148-25359-00	24-11	1W2-28100-10	22-15
4V4-25367-00	24-28	1W1-28135-10	22-16
4V5-25381-00	24-34	648-45533-00-03	17- 6
4V5-25388-00	24-31	104-81328-20	3-10
4V5-25389-00	24-30	110-81345-21	3-17
2J5-25394-00	23-18	1E6-82131-00	4-12
2X5-25394-00	24-23	116-82131-00	3-24
3R6-25446-10-33	24-24	1M2-82310-40	30- 1
3R6-25448-10-33	24-24	3R0-82370-20	30- 5
3R6-25450-10-33	24-24	8E7-82370-11	30- 5
3R6-25452-10-33	24-24	4V5-82520-00	31-19
4V5-26111-00	25- 1	688-82535-00	25-13
3R9-26141-00	25-22	4V5-82590-00	30- 6
3R9-26142-00	25-27	4V4-82911-00	31- 1
4V4-26241-00	25- 2	4V4-82913-00	31- 2
3R9-26242-00	25- 3		31-10
4V4-26242-00	25-10	4V4-82921-00	31- 9
322-26243-00	25- 4	4V5-83505-F0	27- 1
		4V5-83505-60	27- 3

PART NO.	REF. NO.
4V5-83513-00	27- 5
4V5-83519-00	27- 6
1E6-83524-60	27- 8
1M1-83526-00	27- 7
4V5-83550-00	27-13
4V5-83578-00	27- 2
	27- 4
4V5-83592-00	28-11
3M2-83912-00	31- 3
3M2-83922-00	25-15
256-83936-00	30- 8
437-83936-00	29- 5
	30- 7
437-83936-10	31-18
3R4-83976-00	25-49
4V5-84110-00	31-17
4G2-84114-00	28- 1
4V5-84130-10	28- 2
802-84131-00	28- 4
4V5-84132-00	29- 4
4V5-84134-00	28- 5
4V5-84140-00	28- 8
	28- 3
4V5-84141-00	28-12
4V5-84143-00	28- 9
122-84514-30	29- 2
4V5-84521-00	29- 3
4V5-84530-00	29- 1
849-84724-00	28- 6
4V5-85500-20	3- 1
4V5-85509-20	3- 3
4V5-85511-20	3- 4
4V5-85512-20	3- 5
1W2-85513-20	3- 6
4V5-85515-20	3- 9
1W2-85516-20	3- 8
4V5-85540-20	3-23
4V5-85550-20	3- 2
4V5-85580-20	3- 7
90101-06291	23-11
	24-13
90101-06304	22- 5
90101-08428	26-28
90102-10006	26- 3
90105-12096	26-31
90105-14136	19- 5
90109-06410	31- 5

PART NO.	REF. NO.
90109-06410	31-13
90109-06551	6-21
90109-08397	20-31
90109-08512	6-16
90109-08599	17- 2
90109-10550	18-25
90110-08038	24-25
90116-08321	1- 4
90116-10313	1- 8
90116-10314	1- 9
90119-06022	21- 9
90123-08046	25-48
90149-06011	21-22
90149-08143	10-20
90159-06016	10-13
90170-12067	3-20
90170-16111	17-14
90170-18089	10- 4
90170-20213	18-18
90170-20255	10-17
90171-14020	23-22
90175-06012	4-25
90175-06013	26-21
90179-08148	25-38
90179-08278	17- 3
90179-08299	1- 5
90179-10292	1-10
90179-12244	9-18
90179-18332	24-37
90179-20255	11-29
90179-25033	19-11
90185-08054	14-14
	24-26
90201-06042	13- 7
90201-06067	15- 2
	15- 9
	15-13
	17-38
	22-13
90201-06407	21- 8
90201-06571	16- 5
	16-10
90201-06709	1-18
90201-08083	25-40
	31- 4
	31-12
90201-08092	10-22
90201-081A6	24-27
90201-08113	14-19

NUMERICAL INDEX

PART NO.	REF. NO.	PART NO.	REF. NO.
90201-08114	6-15	90445-11152	21-23
90201-08544	20-35	90445-21562	4-15
90201-08638	14-22	90460-43053	6-10
90201-12593	3-22	90460-51109	4-18
90201-12631	24-16	90460-68120	4-20
90201-13202	14-18	90462-05005	29- 6
90201-15234	9-15		30- 4
90201-15785	23-21	90462-14055	25-43
90201-17255	11- 9	90467-10008	21-24
90201-17327	10-27	90467-20030	4-24
90201-17545	9- 8	90467-20050	4-16
90201-20278	11-21	90468-08104	4-17
90201-20358	9- 4	90468-12007	27- 9
90201-22555	11- 4	90468-26048	9- 3
90201-25287	11-13	90480-12053	16-11
90202-06010	21-21		28-10
90206-14067	18-24	90480-13197	4-32
90209-06187	15- 5	90480-22263	18-33
90209-22082	11-16	90501-10245	26-19
90209-25085	2-12	90501-12081	9-14
	33-30	90501-14633	4-21
90215-20125	10-16	90501-23138	10-12
90215-21121	11-28	90506-16036	23- 8
90240-06040	26-16	90507-20002	24- 9
90240-08012	25-39	90507-20030	6- 3
90240-12074	18-29	90507-29008	26- 2
90243-08017	13- 5	90508-14423	10-28
90280-03017	2-15	90508-14429	26- 8
90282-04036	12- 5	90508-20023	26-30
90282-07019	10- 2	90508-20415	13- 4
90338-07011	7- 9	90508-26421	12- 8
90340-12059	7-18	90508-30422	9- 5
90380-12051	18-13	90508-32374	13-12
90380-16077	17-11	90508-32478	26-14
90386-22097	17- 8	90560-08066	17-40
90387-07393	21- 7	90560-12171	13-11
90387-08258	6-14	90560-15116	23- 2
90387-16776	7- 7	91316-06020	4-19
	7-11	91316-06025	8-10
90387-201E6	24-29	91316-06040	7- 4
90387-25663	11-26	91316-06055	7- 3
90430-05009	25-20	91316-06060	7- 2
90430-06016	8-14	91401-16012	24-33
	33-40	91401-20012	25-42
90430-12038	7-19		26-11
	33-41		26-18
90445-08577	10-30	91401-20025	18-28
90445-09117	21-27		26- 5
90445-10183	3-25		

NUMERICAL INDEX

NUMERICAL INDEX

PART NO.	REF. NO.	PART NO.	REF. NO.	PART NO.	REF. NO.	PART NO.	REF. NO.	PART NO.	REF. NO.	PART NO.	REF. NO.
91401-25022	24-17	92901-06200	26-17	93101-12004	33-49	93450-19052	33-10	97301-06050	17-25		
91401-30022	18-31	92901-06600	3-19	93102-17004	10-26		33-15	97301-08016	6- 6		
91401-30030	23-23		6-20		33-47		33-20		17-19		
91701-05055	24-32		6-24	93102-28022	24- 6		33-25	97301-08020	17-42		
91701-06028	26- 9		17-24	93102-32136	11-25	93507-32009	9-13	97301-08035	17-27		
91810-05016	7-10		17-37		33-48	93515-32029	10-19	97301-08055	14-20		
91830-24016	1-11		21- 6	93103-30092	2-14	93604-26132	18-15	97302-06020	15- 3		
92501-06012	6-22		25-24		33-45	93606-14154	12-13	97306-06016	15- 7		
	7-13		25-29	93103-40091	2-17	93608-25150	13-10	97321-06012	27-10		
	7-17		25-47		33-46	94130-21654	23-15	97321-06020	13- 8		
92501-06015	16- 3		26-10	93108-35004	17- 9	94151-18661	24-20	97321-08025	14- 5		
	16- 8		27-12	93109-20014	9-10	94230-21126	23-16	97602-03108	5-15		
	25-23	92901-08100	6- 7		33-50	94245-18125	24-21	98501-03008	4- 4		
	25-28		10-21	93109-22018	17-10	94330-21088	23-17	98501-04005	18- 4		
92501-06020	3-18		14- 6	93210-14104	8-12	94345-18081	24-22	98501-04014	3-15		
	17-22		17-20		33-39	94416-21234	23-13	98501-04030	3-13		
	17-35		17-28	93210-29282	10- 5	94425-18280	24-18	98501-04035	3-11		
	22-12		17-43		33-42	94585-20108	24-38	98501-04035	17-31		
92501-06025	25-44		20-34	93306-00406	24- 5	94685-20001	24-39	98501-05010	5-12		
	30- 2	92901-08200	6- 5	93306-00418	24- 4	*	1- 3	98501-05016	25- 8		
92501-08010	7-15		14-13	93306-00422	12- 4	95301-05600	19-15		25-19		
92502-06016	18-36		17-41	93306-20107	12-16	95301-06600	25-46	98501-05018	19-13		
92506-06008	8-13	92901-08600	6- 8	93306-20203	23- 4	95301-06700	25-26	98506-05020	31- 7		
92506-06025	8- 5		14- 7	93306-20205	23- 5		25-31		31-15		
92506-06035	8- 3		17-21	93306-20542	11- 2	95302-10700	18-26	98701-05016	12- 6		
92701-06012	7- 6		17-29	93306-20544	11-24	95302-10900	26- 4	98902-06018	21-10		
92901-03100	4- 5	92901-10200	14-10	93306-20619	2-13	95311-06600	20-33	98906-05010	25-18		
92901-04100	3-12	92901-12100	3-21		2-16	95311-08600	20-32				
	3-14	92901-12600	18-30	93310-21874	2- 5	95311-08700	10-23				
	3-16	92901-16100	17-15		33-31	95601-06100	17-39				
92901-04600	28- 7	92901-18100	10- 3	93310-42541	2-11		31- 6				
92901-05100	17-32		24-35		33-29		31-14				
92901-05200	17-33	92901-20600	24-36	93311-41734	11-10	95601-08100	26-29				
92901-05600	19-14	92902-03600	5-16	93311-62035	11-23	95601-10100	14-11				
92901-06100	1-17	92902-05100	5-13	93315-21721	10-25	95602-06100	22-14				
	4-14	92902-06100	15- 4	93317-22214	17- 5	95701-08100	19- 4				
	4-34		15-12	93332-00001	19- 8	95702-06300	17-26				
	6-19		18-37	93332-00008	19- 9	95702-08300	14-21				
	6-23		22- 8	93342-22208	17- 4	95811-08075	14- 8				
92902-06600	16- 4		18-38	93410-17008	9- 9	95811-08080	14- 3				
	16- 9		22- 9	93410-20038	11-22	95811-08170	14-12				
	17-23	92902-08200	16- 2	93410-22039	11- 5	95811-10045	14- 9				
	17-36	92902-10600	18-27	93430-10015	26-13	95821-08035	19- 7				
	20-36	92906-05100	31- 8	93430-10016	9-16	95821-08040	19- 2				
	21- 5		31-16	93440-25084	11-14	95821-08055	19- 3				
	25-45	92906-06100	8- 6	93440-50078	18-23	97301-06010	4-13				
	27-11		15- 8	93450-19052	2- 4	97301-06012	1-16				
	30- 3	92906-06600	8- 7		33- 5		21- 4				
92901-06200	25-25	93101-12004	13- 9			97301-06015	15-11				
	25-30						22- 7				
						97301-06016	4-33				
							6-18				
						97301-06020	26-22				



## PARTS NAME INDEX

DESCRIPTION	REF. NO.
ABSORBER 1	1-14
ABSORBER 3	1-13
AIR CLEANER CASE COMP.	4-22
AIR VALVE COMP.	20-24
ARM, tensioner	17-16
AXLE, drive	11-11
AXLE, main (12T)	11- 1
AXLE, wheel	23-20
*	24-34
BALL	9-13
*	10-19
BAND	4-28
*	20-21
BAND, battery	3-24
*	4-12
BAND, boot	20-20
BAND, rim (3.00-12)	23-17
BAND, rim (4.50-18)	24-22
BAND, switch cord	25-49
*	29- 5
*	30- 7
*	30- 8
*	31-18
BAND, tank fitting 1	21-11
BAR, shift fork guide 1	12-14
BAR, shift fork guide 2	12-15
BASE, magneto	3- 3
BEARING	11- 2
*	11-24
*	12- 4
*	17- 4
*	19- 8
*	19- 9
*	24- 4
BEARING (B6004Z)	24- 5
BEARING (B6201)	12-16
BEARING (B6202)	23- 5
BEARING (B6202RS)	23- 4
BEARING (B6206)	2-13
*	2-16
BEARING, cylindrical	2- 5
*	2-11
*	10-25
*	11-10
*	11-23
*	17- 5
*	33-29
*	33-31
BODY ASSY, headlight	28- 4
BODY, cap	21-25

## PARTS NAME INDEX

DESCRIPTION	REF. NO.
BODY, float chamber 1	5- 2
BOLT	1-18
*	4-13
*	4-19
*	4-33
*	6- 6
*	6-16
*	6-18
*	6-21
*	7- 2
*	7- 3
*	7- 4
*	8-10
*	13- 8
*	14- 5
*	14-20
*	15- 3
*	15- 7
*	15-11
*	17- 2
*	17-19
*	17-25
*	17-27
*	17-42
*	18-25
*	20-31
*	21- 4
*	22- 5
*	22- 7
*	23-11
*	24-13
*	25-48
*	26-22
*	26-28
*	27-10
*	31- 5
*	31-13
BOLT, cap	20-22
BOLT, flange	14- 3
*	14- 8
*	14- 9
*	14-12
*	19- 2
*	19- 3
*	19- 7
BOLT, hexagon socket head	20-30
*	24-25
BOLT, stopper	12- 9
BOLT, stud	1- 4

## PARTS NAME INDEX

DESCRIPTION	REF. NO.
BOLT, stud	1- 8
*	1- 9
BOLT, washer based	19- 5
*	26-31
BOLT, with hole	26- 3
BOLT, with washer	21- 9
BOOT	20-19
BOOT, cable	25-35
*	25-37
BOSS, clutch	10- 8
BOSS, kick crank	9-12
BRACKET, carrier 2	22-11
BRACKET, footrest 1	26-25
BRACKET, footrest 2	26-27
BRACKET, front upper 1	14- 2
BRACKET, meter	27- 6
BRACKET, rear upper 1	14- 4
BRACKET, seat	22- 3
*	22- 4
BRAKE SHOE COMP.	23- 7
*	24- 8
BULB (6V-17/5.3W)	29- 2
BULB, headlight	28- 2
BUSH	5-38
*	14-17
*	17- 8
BUSH, rear shock absorber	18- 3
BUSH, shock absorber lower	18-12
BUSH, solid	17-11
*	18-13
C.D.I. MAGNETO ASSY	3- 1
C.D.I. UNIT ASSY	3-23
CABLE, brake	25-36
CABLE, clutch	25-34
CABLE, throttle 1	25-32
*	25-32
CAMSHAFT	23- 9
*	24-10
CAP	5-24
CAP, case	18- 8
CAP, cleaner case 1	4-26
CAP, front fork	20-23
CAP, gear	25-17
CAP, grip lower	25- 7
*	25-15
CAP, grip upper	25- 6
*	25-14
CAP, Plunger	5-36
CAP, rubber	25-33

## PARTS NAME INDEX

DESCRIPTION	REF. NO.
CARBURETOR ASSY 1	5- 1
CARRIER BOX ASSY	22-10
CASE, chain	17-34
CHAIN, drive (DID520DS 108L)	24-38
CHAMBER, air	4- 8
CIRCLIP	2- 4
*	9- 9
*	9-16
*	11- 5
*	11-14
*	11-22
*	18-23
*	26-13
*	33- 5
*	33-10
*	33-15
*	33-20
*	33-25
CLAMP	3-10
*	25-43
*	29- 6
*	30- 4
CLAMP, hose	4-18
*	4-20
*	6-10
CLIP	4-16
*	4-17
*	4-24
*	5-21
*	5-34
*	5-39
*	9- 3
*	21-24
*	27- 9
CLUTCH ASSY	10- 6
COIL, lighting 1	3- 6
COIL, Pulser	3- 7
COIL, source	3- 5
COLLAR	6-14
*	7- 7
*	7-11
*	11-26
*	21- 7
*	24-29
CONNECTING ROD ASSY	33-26
CONNECTOR	5-28
COVER	14-23
*	18-16

## PARTS NAME INDEX

DESCRIPTION	REF. NO.
COVER, ball race 2	19-10
COVER, caP griP	25- 9
COVER, crankcase 1	8- 1
COVER, crankcase 2	8- 4
COVER, crankcase 3	8- 8
COVER, dust	26-12
COVER, dust seal	20- 9
COVER, hub dust	24-28
COVER, kick lever	9-17
COVER, PiunGer caP	5-37
COVER, semi-double seat	22- 2
COVER, shift Pedal	13- 6
COVER, side (L.H)	16- 1
COVER, side (R.H)	16- 7
COVER, thrust 1	18-32
COVER, thrust 2	17- 7
CRANK 1	2- 7
CRANK 2	2- 8
CRANKCASE 1	7- 1
CRANKCASE 2	7- 8
CRANKSHAFT ASSY	2- 6
CROWN, handle	19- 1
CUP, filter	21-17
CYLINDER COMP., front fork	20-13
CYLINDER 1	1- 6
DAMPER	27- 5
*	28-11
DAMPER 2	27- 7
DAMPER, headlight stay	28- 9
DAMPER, locating 1	14-27
*	16- 6
*	21-29
DAMPER, locating 2	21- 2
DAMPER, locating 3	21-28
DAMPER, muffler	6-13
DAMPER, seat	22- 6
DAMPER, sub tank	18-34
DIODE	3- 4
DUMPER SUB ASSY	18- 2
ELEMENT, air cleaner	4-29
EMBLEM	4- 9
*	16-12
EMBLEM, headlight	28-12
EXHAUST PIPE ASSY 1	6- 1
FENDER, front	15- 1
FLANGE, sPacer	24- 3
FLANGE, sPacer 2	23- 3
FLAP	15-14

## PARTS NAME INDEX

DESCRIPTION	REF. NO.
FLOAT	5- 7
FOOTREST 1	26-24
*	26-26
FORK, shift 1	12-10
FORK, shift 2	12-11
FORK, shift 3	12-12
FRAME COMP	14- 1
FRONT FORK ASSY	20- 1
FUEL COCK ASSY 1	21-12
FUEL TANK COMP.	21- 1
GASKET	5-18
*	7-19
*	8-14
*	20-12
*	20-28
*	21-18
*	25-20
*	33-40
*	33-41
GASKET KIT	33-32
GASKET, caP	21-26
GASKET, crankcase cover	8- 2
*	33-37
GASKET, crankcase cover 3	8- 9
*	33-38
GASKET, cylinder	1- 7
*	33-34
GASKET, cylinder head 1	1- 2
*	33-33
GASKET, drain Plug	20-29
GASKET, exhaust Pipe	6- 2
*	33-43
GASKET, float chamber	5- 3
*	33-36
GASKET, muffler	6- 9
GASKET, valve seat	4- 6
*	33-35
GEAR UNIT ASSY	23-19
GEAR, bevel	25-16
GEAR, kick (26T)	9- 2
GEAR, Primary drive (24T)	10- 1
GEAR, sPcket idle (21T)	9- 7
GEAR, 1st wheel (32T)	11-20
GEAR, 2nd Pinion (15T)	11- 8
GEAR, 2nd wheel (30T)	11-12
GEAR, 3rd/4th Pinion (16T,20T)	11- 6
GEAR, 3rd wheel (25T)	11-18
GEAR, 4th wheel (25T)	11-17

## PARTS NAME INDEX

DESCRIPTION	REF. NO.
GEAR, 5th Pinion (22T) .....	11- 3
GEAR, 5th wheel (23T) .....	11-19
GEAR, 6th Pinion (24T) .....	11- 7
GEAR, 6th wheel (21T) .....	11-15
GRAPHIC SET .....	21-30
GRIP (L.H) .....	25- 2
GRIP (R.H) .....	25- 3
* .....	25-10
GROMMET .....	4-32
* .....	16-11
* .....	18-33
* .....	25-13
* .....	28-10
GUARD, brush 1 .....	25-22
GUARD, brush 2 .....	25-27
GUARD, chain .....	17-17
GUARD, engine 1 .....	14-24
GUARD, engine 2 .....	14-25
GUARD, mud .....	15-10
GUIDE .....	4-30
GUIDE, cable .....	5-20
* .....	19-16
* .....	20-25
* .....	20-39
GUIDE, sPring .....	9- 6
GUIDE, sPring 1 .....	18-20
GUIDE, sPring 2 .....	18-21
HANDLEBAR .....	25- 1
HEAD, cylinder 1 .....	1- 1
HEADLIGHT UNIT ASSY .....	28- 1
HOLDER .....	1-15
* .....	7-14
HOLDER, axle .....	20-26
HOLDER, cable 1 .....	19-12
HOLDER, damPer .....	21- 3
HOLDER, Guide .....	4-31
HOLDER, handle uPPer .....	19- 6
HOLDER, lever lower 1 .....	31- 2
* .....	31-10
HOLDER, lever 1 .....	31- 1
HOLDER, lever 2 .....	31- 9
HOLDER, sub tank .....	18-35
HOOK, sPring .....	1-12
HOSE .....	3-25
* .....	4-15
* .....	10-30
* .....	21-23
* .....	21-27
HOUSING, seal ring .....	18- 7

## PARTS NAME INDEX

DESCRIPTION	REF. NO.
HUB, front .....	23- 1
HUB, rear .....	24- 1
IGNITION COIL ASSY .....	30- 1
INNER TUBE COMP.1 .....	20-10
JET, main (#390) .....	5- 6
JET, main (#400) .....	5- 6
JET, main (#410) .....	5- 6
JET, Pilot (#50.0) .....	5- 4
JOINT, cable .....	25-41
JOINT, carburetor .....	4- 7
JOINT, chain .....	24-39
KEY, straight .....	10- 2
* .....	12- 5
KEY, woodruff .....	2-15
KICK AXLE ASSY .....	9- 1
KICK CRANK ASSY .....	9-11
KNOB, trip meter .....	27- 2
* .....	27- 4
LEAD WIRE ASSY .....	3- 9
LENS, taillight .....	29- 3
LEVER 1 .....	31- 3
LEVER 2 .....	31-11
LEVER, camshaft .....	24-12
LEVER, camshaft 1 .....	23-10
LEVER, cock .....	21-13
LEVER, starter 1 .....	5-44
LIGHT SWITCH ASSY .....	31-19
METAL, slide 1 .....	20- 4
NEEDLE .....	5-33
NEEDLE VALVE ASSY .....	5- 8
NET, filter 2 .....	21-20
NOZZLE, main .....	5- 5
NUT .....	1- 5
* .....	1-10
* .....	3-20
* .....	9-18
* .....	10- 4
* .....	10-17
* .....	10-23
* .....	11-29
* .....	17- 3
* .....	17-14
* .....	18-18
* .....	18-26
* .....	19-11
* .....	19-15
* .....	20-32
* .....	20-33

## PARTS NAME INDEX

DESCRIPTION	REF. NO.
NUT .....	24-37
* .....	25-26
* .....	25-31
* .....	25-38
* .....	25-46
* .....	26-23
NUT, adjust .....	28- 8
NUT, adjusting .....	18-14
NUT, cable adjusting .....	5-19
* .....	5-26
NUT, castle .....	23-22
NUT, flange .....	19- 4
NUT, nylon .....	14-21
* .....	17-26
NUT, self-locking .....	14-14
* .....	24-26
NUT, slotted .....	26- 4
NUT, u .....	14-11
* .....	17-39
* .....	22-14
* .....	26-29
* .....	31- 6
* .....	31-14
NUT, wing .....	4-25
* .....	26-21
O-RING .....	5-32
* .....	8-12
* .....	10- 5
* .....	20-27
* .....	33-39
* .....	33-42
OIL SEAL .....	2-14
* .....	2-17
* .....	9-10
* .....	10-26
* .....	11-25
* .....	13- 9
* .....	17- 9
* .....	17-10
* .....	20- 5
* .....	24- 6
* .....	33-45
* .....	33-46
* .....	33-47
* .....	33-48
* .....	33-49
* .....	33-50
OIL SEAL KIT .....	33-44

## PARTS NAME INDEX

DESCRIPTION	REF. NO.
PACKING .....	25-21
PEDAL, brake .....	26- 6
* .....	26- 7
PEDAL, shift .....	13- 2
* .....	13- 3
PIN .....	13- 5
PIN, clevis .....	18-29
* .....	24-15
* .....	24-32
* .....	25-39
* .....	26- 9
* .....	26-16
PIN, cotter .....	18-28
* .....	18-31
* .....	23-23
* .....	24-17
* .....	24-33
* .....	25-42
* .....	26- 5
* .....	26-11
* .....	26-18
PIN, crank 1 .....	2- 9
* .....	33-28
PIN, dowel .....	1-11
* .....	7-10
* .....	12-13
* .....	13-10
* .....	18-15
PIN, float .....	5- 9
PIN, piston .....	2- 3
* .....	33- 4
* .....	33- 9
* .....	33-14
* .....	33-19
* .....	33-24
PIPE .....	5-11
* .....	5-14
PIPE, manifold .....	4-11
PIPE, outlet .....	6-12
PISTON (STD) .....	2- 1
* .....	2- 1
* .....	33- 2
* .....	33- 2
PISTON (1ST O/S 0.25MM) .....	2- 1
* .....	33- 7
PISTON (2ND O/S 0.50MM) .....	2- 1
* .....	33-12
PISTON (3RD O/S 0.75MM) .....	2- 1

## PARTS NAME INDEX

DESCRIPTION	REF. NO.
PISTON (3RD O/S 0.75MM) .....	33-17
PISTON (4TH O/S 1.00MM) .....	2- 1
* .....	33-22
PISTON ASSY (STD) .....	33- 1
PISTON ASSY (1ST O/S) .....	33- 6
PISTON ASSY (2ND O/S) .....	33-11
PISTON ASSY (3RD O/S) .....	33-16
PISTON ASSY (4TH O/S) .....	33-21
PISTON RING SET (STD) .....	2- 2
* .....	33- 3
PISTON RING SET (1ST O/S) .....	2- 2
* .....	33- 8
PISTON RING SET (2ND O/S) .....	2- 2
* .....	33-13
PISTON RING SET (3RD O/S) .....	2- 2
* .....	33-18
PISTON RING SET (4TH O/S) .....	2- 2
* .....	33-23
PLATE .....	5-29
* .....	7-16
PLATE, bearing cover .....	7- 5
* .....	7-12
PLATE, brake shoe .....	23- 6
* .....	24- 7
PLATE, cleaner case fitting .....	4-35
PLATE, clutch 2 .....	10-10
PLATE, friction .....	10-11
PLATE, lever fitting .....	21-14
PLATE, Pressure 1 .....	10- 9
PLATE, side 1 .....	12- 3
PLATE, starter spring .....	5-41
PLATE, thrust 1 .....	10-15
PLUG .....	7- 9
PLUG CAP ASSY .....	30- 5
* .....	30- 5
PLUG, drain .....	20-37
PLUG, oil level .....	8-11
PLUG, screw .....	5-31
PLUG, spark (CHAMPION N2G) .....	1- 3
PLUG, straight screw .....	7-18
PLUNGER, starter .....	5-42
PRIMARY DRIVEN GEAR COMP.(63T) .....	10- 7
PROTECTOR, chain .....	17-30
PULLER, chain 1 .....	24-31
PULLER, chain 2 .....	24-30
PUSH LEVER ASSY .....	10-29
REAR ARM COMP. .....	17- 1
REAR FENDER COMP. .....	15- 6

## PARTS NAME INDEX

DESCRIPTION	REF. NO.
REED VALVE ASSY .....	4- 1
REED, valve .....	4- 2
RIM (1.60-21) .....	23-13
RIM (2.50-18) .....	24-18
RING .....	5-30
RING, leaf .....	25- 5
* .....	25-12
RING, Piston .....	20-15
RING, snap .....	20- 7
ROD, brake .....	26-15
ROD, connecting .....	2-10
* .....	33-27
ROD, Push .....	18- 5
ROD, Push 1 .....	10-18
ROD, Push 2 .....	10-24
ROTOR ASSY .....	3- 2
SCREW .....	10-20
* .....	21-22
SCREW, air adjusting .....	5-23
SCREW, bind .....	21-10
* .....	25-18
SCREW, boot band .....	20-38
SCREW, flat head .....	7- 6
* .....	12- 6
SCREW, lens fitting .....	28- 6
SCREW, lever fitting .....	21-19
SCREW, Pan head .....	3-11
* .....	3-13
* .....	3-15
* .....	3-17
* .....	3-18
* .....	4- 4
* .....	5-12
* .....	6-22
* .....	7-13
* .....	7-15
* .....	7-17
* .....	8- 3
* .....	8- 5
* .....	8-13
* .....	16- 3
* .....	16- 8
* .....	17-22
* .....	17-31
* .....	17-35
* .....	18- 4
* .....	18-36
* .....	19-13
* .....	22-12

## PARTS NAME INDEX

DESCRIPTION	REF. NO.
SCREW, Pan head	25- 8
*	25-19
*	25-23
*	25-28
*	25-44
*	30- 2
*	31- 7
*	31-15
SCREW, Pan head with washer	5-15
SCREW, rim adjuster	29- 4
SCREW, throttle	5-25
SCREW, with washer	10-13
SEAL	4-23
*	4-27
SEAL 1	14-26
SEAL, camshaft	23-12
*	24-11
SEAL, cock	21-16
SEAL, dust	18- 6
*	20- 8
SEAL, Guard	17-12
SEAL, mud Guard	15-15
SEAT, sPring	5-35
*	26-20
SEAT, sPring lower	18-22
SEAT, sPring upper	18-17
*	20-17
SEGMENT	12- 2
SEMI-DOUBLE SEAT ASSY	22- 1
SHAFT	14-15
SHAFT, Pivot	17-13
SHIFT CAM ASSY	12- 1
SHIFT SHAFT ASSY	13- 1
SHIM (0.3T)	17- 6
SHIM, camshaft	24-14
SHOCK ABSORBER ASSY, rear	18- 1
SILENCER, exhaust	6-11
SOCKET ASSY	29- 1
SOCKET CORD ASSY	28- 3
SPACER	3- 8
*	13-11
*	17-40
*	20-40
*	23- 2
SPACER 1	10-14
SPACER, bead	23-18
*	24-23

## PARTS NAME INDEX

DESCRIPTION	REF. NO.
SPACER, bearing	24- 2
SPANNER, sPecial	22-16
SPEEDMETER CABLE ASSY	27-13
SPINDLE, taPer	20-11
SPOKE SET, front	23-14
SPOKE SET, rear	24-19
SPRING	18-19
*	21-15
*	32- 1
*	32- 1
SPRING, comPression	4-21
*	9-14
*	10-12
*	26-19
SPRING, front fork	20-16
SPRING, front fork (K1=0.277, K2=0.314)	32- 2
SPRING, front fork (K1=0.339, K2=0.385)	32- 2
SPRING, PlunGer	5-40
SPRING, rebound	20-14
SPRING, screw	28- 5
SPRING, tension	6- 3
*	23- 8
*	24- 9
*	26- 2
SPRING, throttle stoP	5-22
SPRING, throttle valve	5-17
SPRING, torsion	9- 5
*	10-28
*	12- 8
*	13- 4
*	13-12
*	26- 8
*	26-14
*	26-30
SPROCKET, drive (13T)	11-27
SPROCKET, drive (14T)	11-27
SPROCKET, drive (15T)	11-27
SPROCKET, driven (46T)	24-24
SPROCKET, driven (48T)	24-24
SPROCKET, driven (50T)	24-24
SPROCKET, driven (52T)	24-24
STAND, side	26- 1
STAY 1	4-10
STAY 2	4-36
STAY, muffler 1	6-17
STAY, muffler 2	6- 4
STOPPER LEVER ASSY	12- 7
STOPPER, bump	18- 9
STOPPER, reed valve	4- 3
SUPPORT, bump stoP	18-10
SUPPORT, chain	17-18
SWITCH, handle 1	31-17

## PARTS NAME INDEX

DESCRIPTION	REF. NO.
TENSIONER	14-16
TIRE (3.00-12)	23-15
TIRE (5.10-18)	24-20
TOOL KIT	22-15
TOP, mixing chamber	5-43
TRIP METER COMP.	27- 1
*	27- 3
TUBE (3.00-12)	23-16
TUBE (4.50-18)	24-21
TUBE, outer 1	20- 2
TUBE, outer 2	20- 3
TUBE, throttle Guide	25- 4
*	25-11
UNDER BRACKET COMP.	20-18
UPPER BRACKET SUB ASSY	18-11
VALVE, throttle (2.0)	5-27
WASHER	1-18
*	2-12
*	5-16
*	11-16
*	15- 5
*	16- 2
*	18-38
*	22- 9
*	24-36
*	33-30
WASHER, lock	10-16
*	11-28
WASHER, needle valve	5-10
WASHER, oil seal	20- 6
WASHER, Plain	6- 5
*	14-10
*	14-13
*	17-33
*	17-41
*	25-25
*	25-30
*	26-17
WASHER, Plate	3-19
*	3-22
*	6- 8
*	6-15
*	6-20
*	6-24
*	8- 7
*	9- 4
*	9- 8
*	9-15
*	10-22
*	10-27
*	11- 4
*	11- 9
*	11-13
*	11-21

## PARTS NAME INDEX

DESCRIPTION	REF. NO.
WASHER, Plate .....	13- 7
*	14- 7
*	14-18
*	14-19
*	14-22
*	15- 2
*	15- 9
*	15-13
*	16- 5
*	16-10
*	17-21
*	17-24
*	17-29
*	17-37
*	17-38
*	18-27
*	18-30
*	19-14
*	20-35
*	21- 6
*	21- 8
*	21-21
*	22-13
*	23-21
*	24-16
*	24-27
*	25-24
*	25-29
*	25-40
*	25-47
*	26-10
*	27-12
*	28- 7
*	31- 4
*	31-12
WASHER, sPecial .....	27- 8
WASHER, sPring .....	1-17
*	3-12
*	3-14
*	3-16
*	3-21
*	4- 5
*	4-14
*	4-34
*	5-13
*	6- 7
*	6-19
*	6-23
*	8- 6
*	10- 3

## PARTS NAME INDEX

DESCRIPTION	REF. NO.
WASHER, sPring .....	10-21
*	14- 6
*	15- 4
*	15- 8
*	15-12
*	16- 4
*	16- 9
*	17-15
*	17-20
*	17-23
*	17-28
*	17-32
*	17-36
*	17-43
*	18-37
*	20-34
*	20-36
*	21- 5
*	22- 8
*	24-35
*	25-45
*	27-11
*	30- 3
*	31- 8
*	31-16
WASHER, wave .....	18-24
WIRE HARNESS ASSY .....	30- 6

## PARTS NAME INDEX

DESCRIPTION	REF. NO.
-------------	-------------