

YAMAHA

PARTS CATALOGUE

IT250J (5L4)

125L4-700E1





A3



FOREWORD

This Parts Catalogue is related to the parts in use for the Yamaha IT 250J (5L4).
When you are ordering replacement parts for the IT 250J (5L4), refer to this Parts Catalogue and quote both part numbers and part names correctly.

1. Modifications or additions which have been made after issue of the Parts Catalogue will be announced in the Yamaha Parts News.
It is advisable that according to the Yamaha Parts News you make necessary corrections to the Parts Catalogue on hand to keep it up-to-date.

2. Abbreviations

The following abbreviations are used in this Parts Catalogue.

- U.R. Use size (thickness) and/or number as required.
- U.N. Use as many as you need.
- A.P. Alternate Parts
- L.M. Local Made
- F# Frame No. (Applicable machine No.)

3. The parts marked with (+) in the parts number column of this Catalogue are not supplied with by Yamaha, those have to be found locally.
4. Parts, which are to be supplied in the form of assemblies, are listed with an indention of one letter's space, and a dot (.) is put against the name of each part.

EXAMPLE CARBURETOR ASS'Y
 . JET, pilot
 . NOZZLE, main

5. Indication of No. of constituent parts for assembly

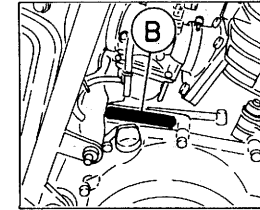
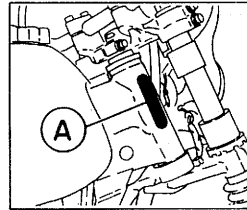
The numeral appearing to the right of each constituent part under the description indicates the quantity of such parts for each individual assembly unit.

EXAMPLE

| Part No. | Description | Q'ty | Remarks |
|--------------|---------------------------|------|---------|
| 2F5-83310-60 | FRONT FLASHER LIGHT ASS'Y | 2 | |
| 115-83311-60 | . BULB (6V-18W) | 1 | |
| 1M1-83309-60 | . REFLECTOR | 1 | |

6. Initial Serial No. and Color Code

| | |
|-----------------------|--------------------------|
| (A) Frame Serial No. | 5L4-020101 and following |
| (B) Engine Serial No. | 5L4-020101 and following |



| Color Code | Color Name | Abbreviate |
|------------|------------|------------|
| | Sky Blue | |

7. Applicable colors of graphics are represented in the "Remarks" column by the letter(s) appropriately picked out of the full word(s) showing such colors.

EXAMPLE

| Part No. | Description | Q'ty | Remarks |
|-----------------|--------------------------|------|-----------|
| 2N4-24110-00-X5 | FUEL TANK COMP. | 1 | MAXIM RED |
| 3J1-24240-10 | . GRAPHIC, fuel tank set | 1 | for MXR |

CONTENTS

ENGINE

| | | |
|---------|---------------------|----|
| Fig. 1 | Cylinder | 1 |
| Fig. 2 | Crankshaft - Piston | 2 |
| Fig. 3 | C.D.I. Magneto | 3 |
| Fig. 4 | Intake | 4 |
| Fig. 5 | Carburetor | 6 |
| Fig. 6 | Exhaust | 8 |
| Fig. 7 | Crankcase | 9 |
| Fig. 8 | Crankcase Cover | 10 |
| Fig. 9 | Kick Starter | 11 |
| Fig. 10 | Clutch | 12 |
| Fig. 11 | Transmission | 13 |
| Fig. 12 | Shift Cam - Fork | 15 |
| Fig. 13 | Shift Shaft - Pedal | 16 |

CHASSIS

| | | |
|---------|----------------------------|----|
| Fig. 14 | Frame | 17 |
| Fig. 15 | Front Fender - Rear Fender | 19 |
| Fig. 16 | Side Cover | 20 |
| Fig. 17 | Rear Arm | 21 |
| Fig. 18 | Rear Suspension | 23 |
| Fig. 19 | Steering | 25 |
| Fig. 20 | Front Fork | 26 |
| Fig. 21 | Fuel Tank | 29 |
| Fig. 22 | Seat | 31 |
| Fig. 23 | Front Wheel | 32 |
| Fig. 24 | Rear Wheel | 33 |
| Fig. 25 | Handlebar - Cable | 35 |
| Fig. 26 | Stand - Footrest | 37 |
| Fig. 27 | Flasher Light | 39 |
| Fig. 28 | Meter | 40 |
| Fig. 29 | Headlight | 41 |

| | | |
|---------|-----------------------|----|
| Fig. 30 | Taillight | 42 |
| Fig. 31 | Electrical 1 | 43 |
| Fig. 32 | Handle Switch - Lever | 45 |

ALTERNATE PARTS

| | | |
|---------|---------------------|----|
| Fig. 33 | Alternate (Chassis) | 46 |
|---------|---------------------|----|

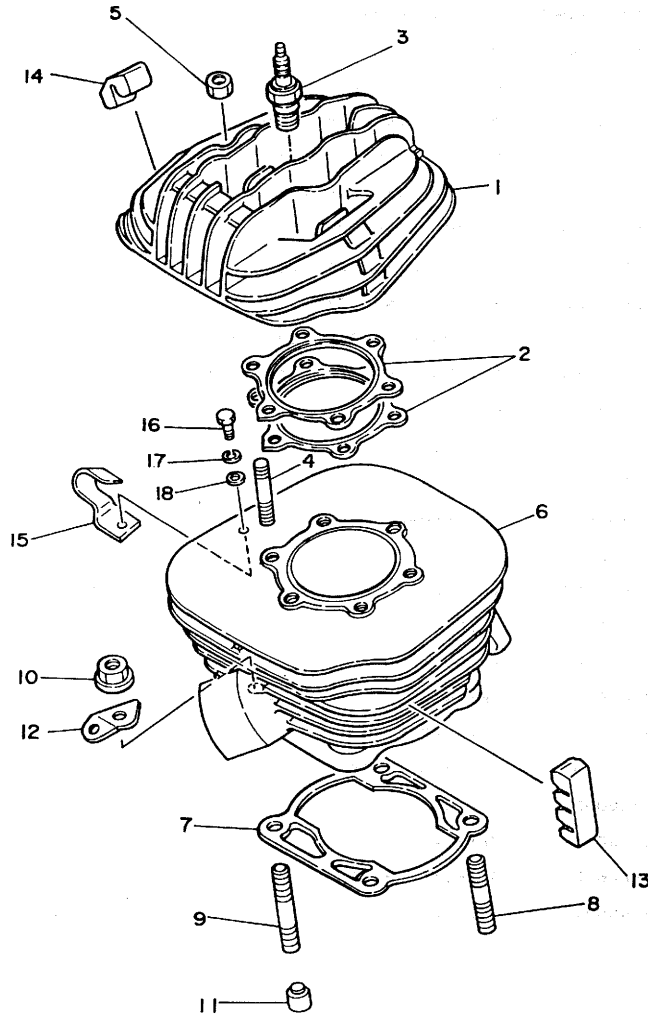
REPAIR KIT

| | | |
|---------|------------|----|
| Fig. 34 | Repair Kit | 47 |
|---------|------------|----|

INDEX

| |
|------------------|
| Numerical Index |
| Parts Name Index |

FIG. 1 CYLINDER

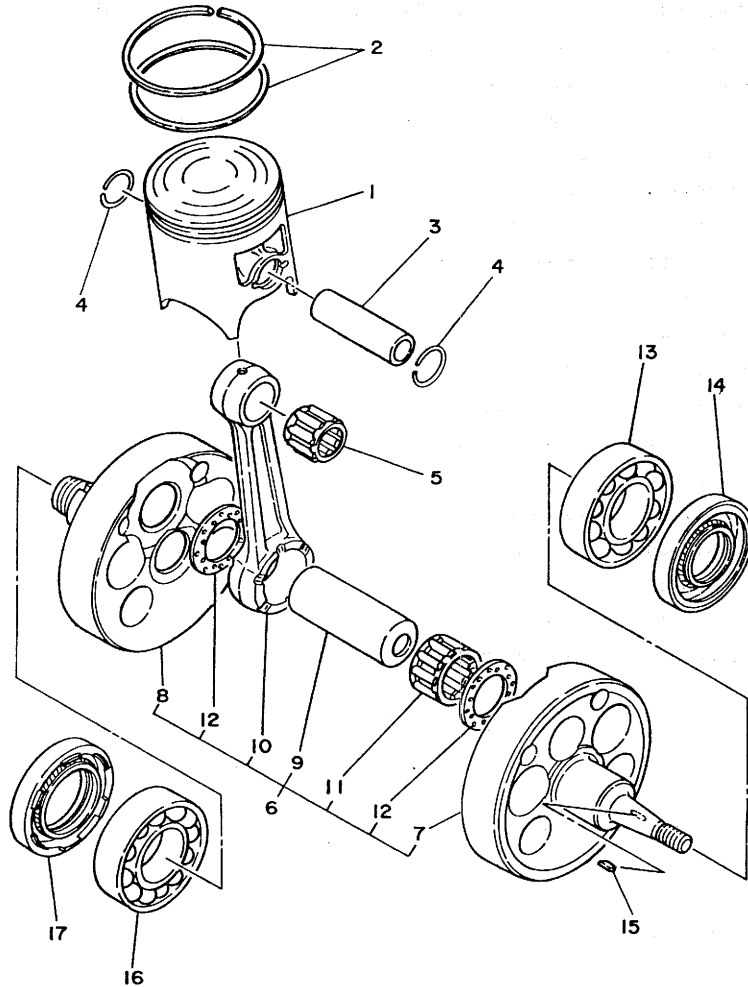


| REF. NO. | PART NO. | DESCRIPTION | Q'TY | REMARKS |
|----------|--------------|----------------------------|------|---------|
| 1 | 3R4-11111-00 | HEAD, cylinder 1 | 1 | |
| 2 | 1W3-11181-00 | GASKET, cylinder head 1 | 2 | |
| 3 | * | PLUG, sPark (chanPion N2G) | 1 | LM |
| 4 | 90116-08321 | BOLT, stud | 6 | |
| 5 | 90179-08299 | NUT | 6 | |
| 6 | 4V5-11311-00 | CYLINDER 1 | 1 | |
| 7 | 3R4-11351-00 | GASKET, cylinder | 1 | |
| 8 | 90116-10313 | BOLT, stud | 2 | |
| 9 | 90116-10314 | BOLT, stud | 2 | |
| 10 | 90179-10292 | NUT | 4 | |
| 11 | 91830-24016 | PIN, dowel | 2 | |
| 12 | 3R4-14619-01 | HOOK, sPring | 1 | |
| 13 | 2N6-11127-00 | ABSORBER 3 | 2 | |
| 14 | 4V5-11161-00 | ABSORBER 1 | 2 | |
| 15 | 4V5-1131E-00 | HOLDER 1 | 1 | |
| 16 | 97301-06014 | BOLT | 1 | |
| 17 | 92901-06100 | WASHER, sPring | 1 | |
| 18 | 90201-06709 | WASHER, Plate | 1 | |

FWD

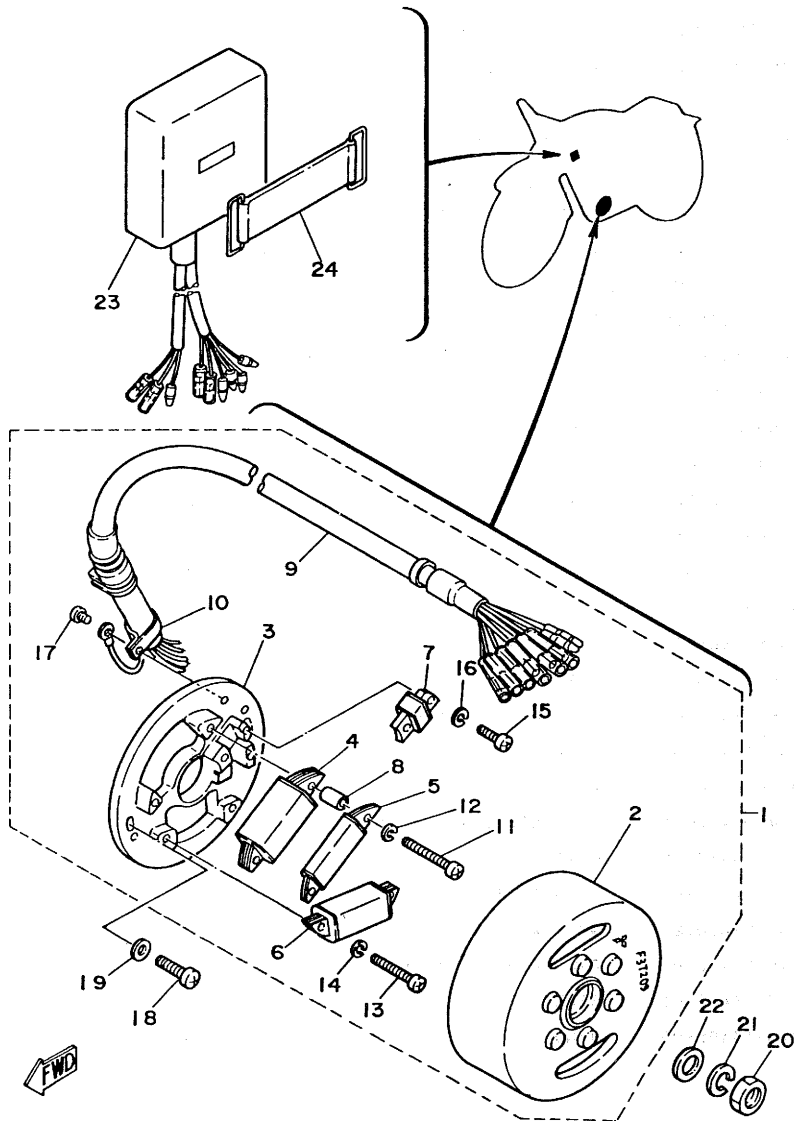
B2

FIG. 2 CRANKSHAFT•PISTON



| REF. NO. | PART NO. | DESCRIPTION | Q'TY | REMARKS |
|----------|--|---------------------------|------|---------|
| 1 | 4V5-11631-00-95 | PISTON (STD) | 1 | UR |
| | 4V5-11631-00-97 | PISTON (STD) | 1 | UR |
| | 4V5-11635-00 | PISTON (1ST O/S 0.25MM) | 1 | AP |
| | 4V5-11636-00 | PISTON (2ND O/S 0.50MM) | 1 | AP |
| | 4V5-11637-00 | PISTON (3RD O/S 0.75MM) | 1 | AP |
| | 4V5-11638-00 | PISTON (4TH O/S 1.00MM) | 1 | AP |
| 2 | 2X7-11610-00 | PISTON RING SET (STD) | 1 | |
| | 2X7-11610-10 | PISTON RING SET (1ST O/S) | 1 | AP |
| | 2X7-11610-20 | PISTON RING SET (2ND O/S) | 1 | AP |
| | 2X7-11610-30 | PISTON RING SET (3RD O/S) | 1 | AP |
| | 2X7-11610-40 | PISTON RING SET (4TH O/S) | 1 | AP |
| 3 | 214-11633-00 | PIN, Piston | 1 | |
| 4 | 93450-19052 | CIRCLIP | 2 | |
| 5 | 93310- 21874 ^{418E9} | BEARING, cylindrical | 1 | |
| 6 | 4V5-11400-00 | CRANKSHAFT ASSY | 1 | |
| 7 | 4V5-11412-00 | •CRANK 1 | 1 | |
| 8 | 3R4-11422-00 | •CRANK 2 | 1 | |
| 9 | 2X4-11681-00 | •PIN, crank 1 | 1 | |
| 10 | 5X5-11651-00 | •ROD, connecting | 1 | |
| 11 | 93310-42541 | •BEARING, cylindrical | 1 | |
| 12 | 90209-25085 | •WASHER | 2 | |
| 13 | 93306-20619 | BEARING (B6206) | 1 | |
| 14 | 93103-30092 | OIL SEAL | 1 | |
| 15 | 90280-03017 | KEY, woodruff | 1 | |
| 16 | 93306-20619 | BEARING (B6206) | 1 | |
| 17 | 93103-40091 | OIL SEAL | 1 | |

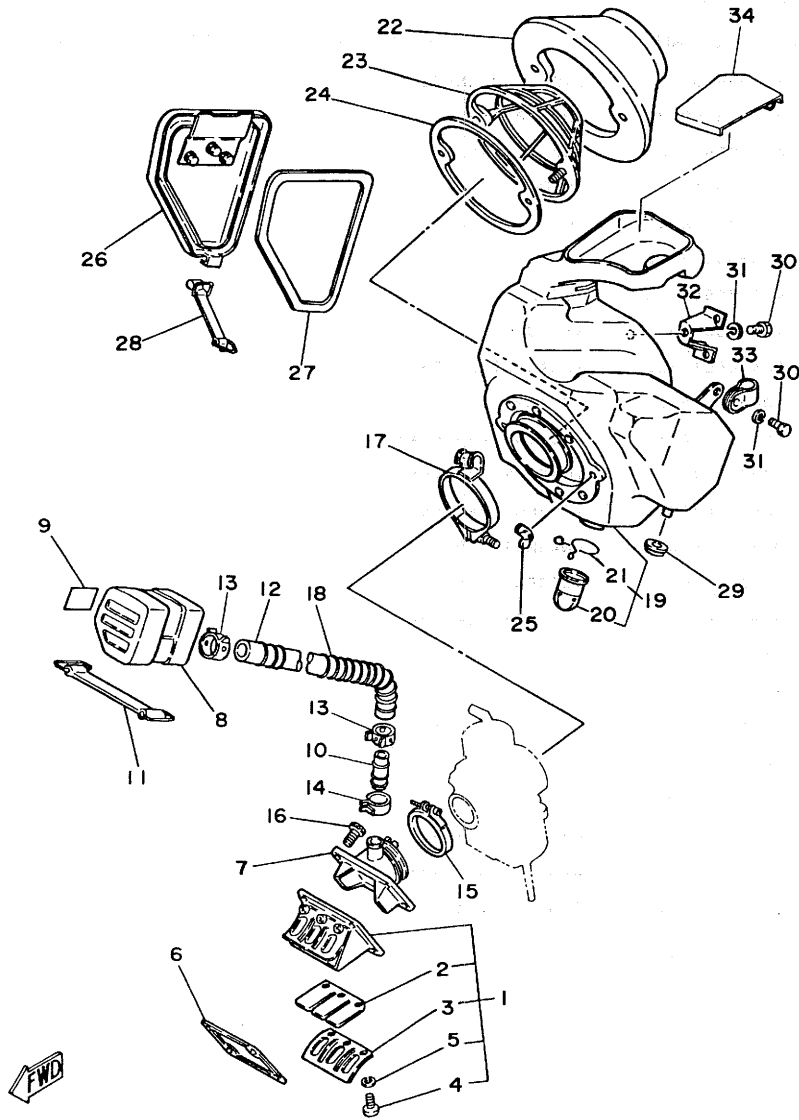
FIG. 3 C.D.I MAGNETO



| REF. NO. | PART NO. | DESCRIPTION | Q'TY | REMARKS |
|----------|--------------|---------------------|------|---------|
| 1 | 5L4-85500-20 | C.D.I. MAGNETO ASSY | 1 | |
| 2 | 4V5-85550-20 | •ROTOR ASSY | 1 | |
| 3 | 4V5-85509-20 | •BASE, magneto | 1 | |
| 4 | 4V5-85511-20 | •DIODE | 1 | |
| 5 | 4V5-85512-20 | •COIL, source | 1 | |
| 6 | 4J0-85513-20 | •COIL, lighting 1 | 1 | |
| 7 | 4V5-85580-20 | •COIL, Pulser | 1 | |
| 8 | 1W2-85516-20 | •SPACER | 2 | |
| 9 | 5L4-85515-20 | •LEAD WIRE ASSY | 1 | |
| 10 | 104-81328-20 | •CLAMP | 1 | |
| 11 | 98501-04035 | •SCREW, Pan head | 2 | |
| 12 | 92901-04100 | •WASHER, spring | 2 | |
| 13 | 98501-04030 | •SCREW, Pan head | 2 | |
| 14 | 92901-04100 | •WASHER, spring | 2 | |
| 15 | 98501-04014 | •SCREW, Pan head | 2 | |
| 16 | 92901-04100 | •WASHER, spring | 2 | |
| 17 | 110-81345-21 | •SCREW, Pan head | 1 | |
| 18 | 92501-06020 | SCREW, Pan head | 2 | |
| 19 | 92901-06600 | WASHER, Plate | 2 | |
| 20 | 90170-12067 | NUT | 1 | |
| 21 | 92901-12100 | WASHER, spring | 1 | |
| 22 | 90201-12593 | WASHER, Plate | 1 | |
| 23 | 4V5-85540-20 | C.D.I. UNIT ASSY | 1 | |
| 24 | 116-82131-00 | BAND, battery | 1 | |

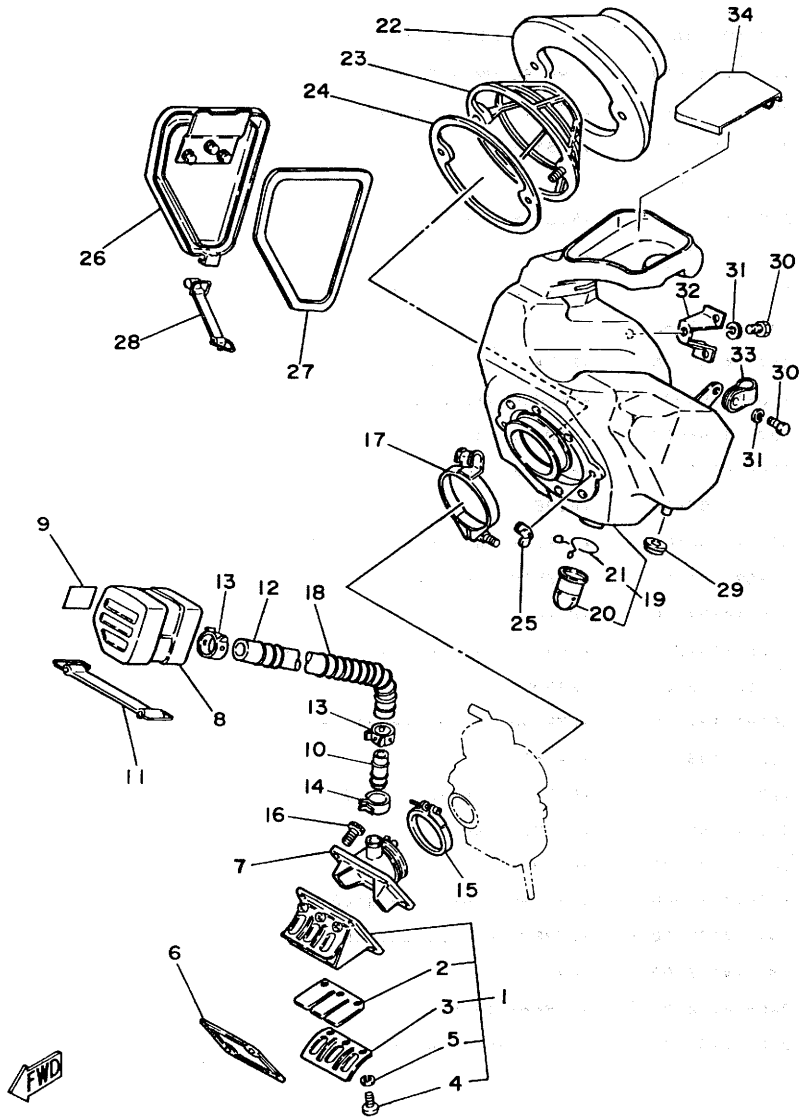
B4

FIG. 4 INTAKE



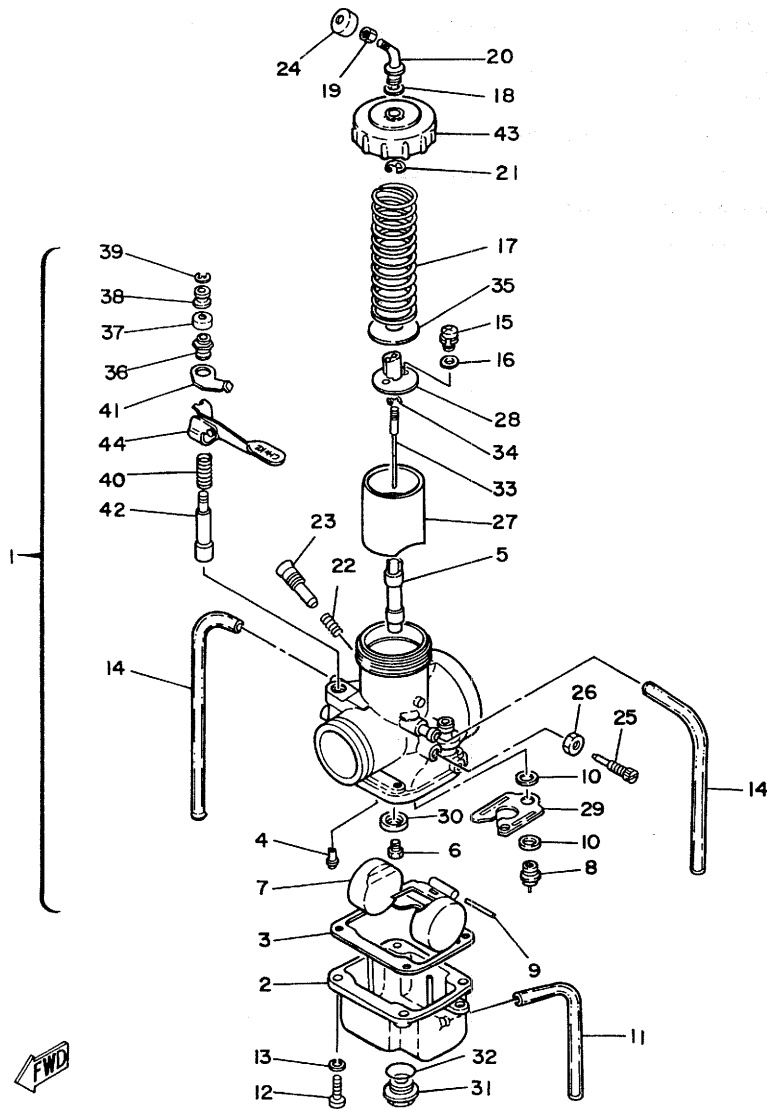
| REF. NO. | PART NO. | DESCRIPTION | Q'TY | REMARKS |
|----------|--------------|------------------------|------|---------|
| 1 | 2X5-13610-00 | REED VALVE ASSY | 1 | |
| 2 | 2K7-13613-00 | •REED, valve | 2 | |
| 3 | 2X5-13616-00 | •STOPPER, reed valve | 2 | |
| 4 | 98501-03008 | •SCREW, Pan head | 6 | |
| 5 | 92903-03100 | •WASHER, sPrInG | 6 | |
| 6 | 2K7-13621-00 | GASKET, valve seat | 1 | |
| 7 | 4V3-13565-00 | JOINT, carburetor | 1 | |
| 8 | 4V3-13581-00 | CHAMBER, air | 1 | |
| 9 | 4V3-1441K-00 | EMBLEM | 1 | |
| 10 | 4V3-13584-01 | PIPE, manifold | 1 | |
| 11 | 1E6-82131-00 | BAND, battery | 1 | |
| 12 | 90445-21562 | HOSE | 1 | |
| 13 | 90467-20050 | CLIP | 2 | |
| 14 | 90468-08104 | CLIP | 1 | |
| 15 | 90460-51109 | CLAMP, hose | 1 | |
| 16 | 91316-06020 | BOLT | 4 | |
| 17 | 90460-68120 | CLAMP, hose | 1 | |
| 18 | 90501-14633 | SPRING, comPression | 1 | |
| 19 | 4V5-W1441-00 | AIR CLEANER CASE COMP. | 1 | |
| 20 | 1W4-14457-00 | •SEAL | 1 | |
| 21 | 90467-20030 | •CLIP | 1 | |
| 22 | 3R4-W1442-01 | ELEMENT, air cleaner | 1 | |
| 23 | 3R4-14458-00 | GUIDE | 1 | |
| 24 | 4V4-14459-00 | HOLDER, Guide | 1 | |
| 25 | 90175-06012 | NUT, wing | 2 | |
| 26 | 4V5-14412-00 | CAP, cleaner case 1 | 1 | |
| 27 | 4V5-14452-01 | SEAL | 1 | |
| 28 | 4V5-14455-00 | BAND | 1 | |

FIG. 4 INTAKE



| REF. NO. | PART NO. | DESCRIPTION | Q'TY | REMARKS |
|----------|--------------|-----------------------------|------|---------|
| 29 | 90480-13197 | GROMMET | 1 | |
| 30 | 97301-06016 | BOLT | 4 | |
| 31 | 92901-06100 | WASHER, sPring | 4 | |
| 32 | 4V4-14484-00 | PLATE, cleaner case fitting | 1 | |
| 33 | 4V4-14499-00 | STAY 2 | 1 | |
| 34 | 5L4-14441-00 | SILENCER, intake 2 | 1 | |

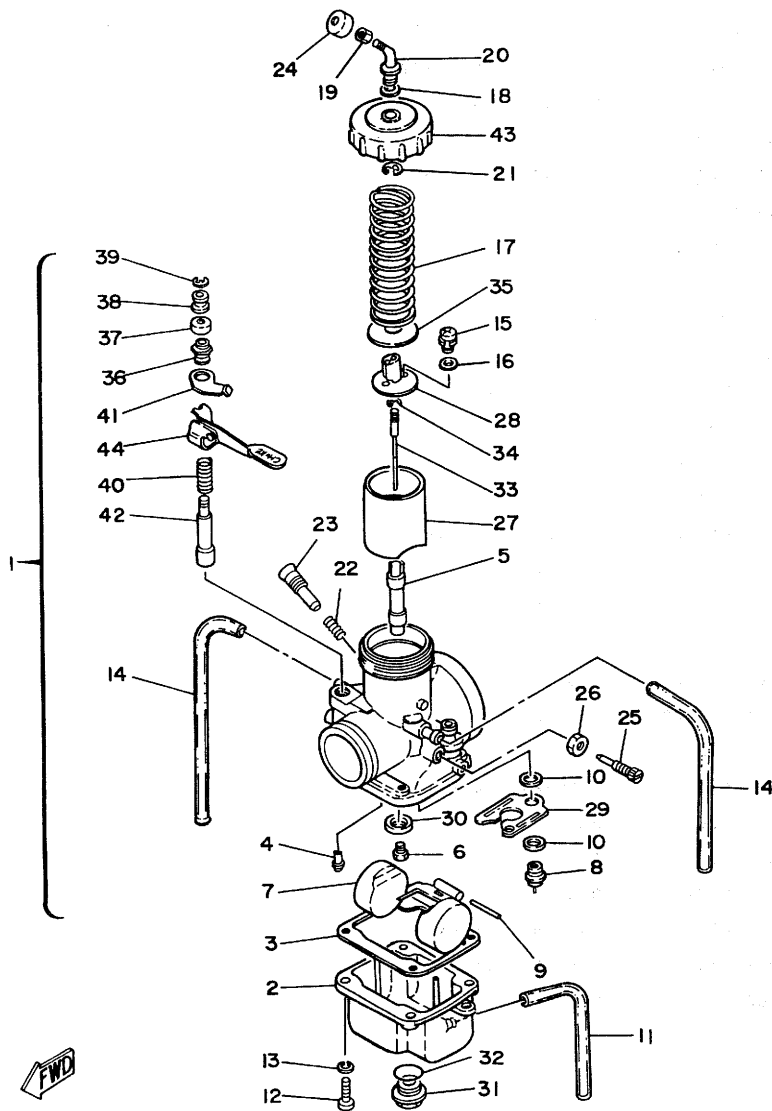
FIG. 5 CARBURETOR



| REF. NO. | PART NO. | DESCRIPTION | Q'TY | REMARKS |
|----------|--------------|------------------------------|------|---------|
| 1 | 4V5-14101-00 | CARBURETOR ASSY 1 | 1 | |
| 2 | 3R4-14181-16 | •BODY, float chamber 1 | 1 | |
| 3 | 363-14184-00 | •GASKET, float chamber | 1 | |
| 4 | 193-14142-50 | •JET, Pilot (#50.0) | 1 | |
| 5 | 239-14141-28 | •NOZZLE, main | 1 | |
| 6 | 137-14143-80 | •JET, main (#400) | 1 | UR STD |
| | 137-14143-78 | •JET, main (#390) | 1 | UR |
| | 137-14143-82 | •JET, main (#410) | 1 | UR |
| 7 | 2N7-14185-00 | •FLOAT | 1 | |
| 8 | 239-14190-30 | •NEEDLE VALVE ASSY | 1 | |
| 9 | 537-14186-00 | •PIN, float | 1 | |
| 10 | 239-14195-00 | •WASHER, needle valve | 2 | |
| 11 | 2K7-14197-00 | •PIPE | 1 | |
| 12 | 98501-05016 | •SCREW, Pan head | 4 | |
| 13 | 92902-05100 | •WASHER, sPring | 4 | |
| 14 | 310-14197-00 | •PIPE | 2 | |
| 15 | 97602-03108 | •SCREW, Pan head with washer | 2 | |
| 16 | 92902-03600 | •WASHER | 2 | |
| 17 | 363-14131-00 | •SPRING, throttle valve | 1 | |
| 18 | 509-14198-00 | •GASKET | 1 | |
| 19 | 127-14161-00 | •NUT, cable adjusting | 1 | |
| 20 | 509-14155-01 | •GUIDE, cable | 1 | |
| 21 | 363-14137-00 | •CLIP | 1 | |
| 22 | 137-14133-00 | •SPRING, throttle stop | 1 | |
| 23 | 1W3-14123-00 | •SCREW, air adjusting | 1 | |
| 24 | 1M1-14169-00 | •CAP | 1 | |
| 25 | 2A0-14122-00 | •SCREW, throttle | 1 | |
| 26 | 802-14161-00 | •NUT, cable adjusting | 1 | |

B7

FIG. 5 CARBURETOR

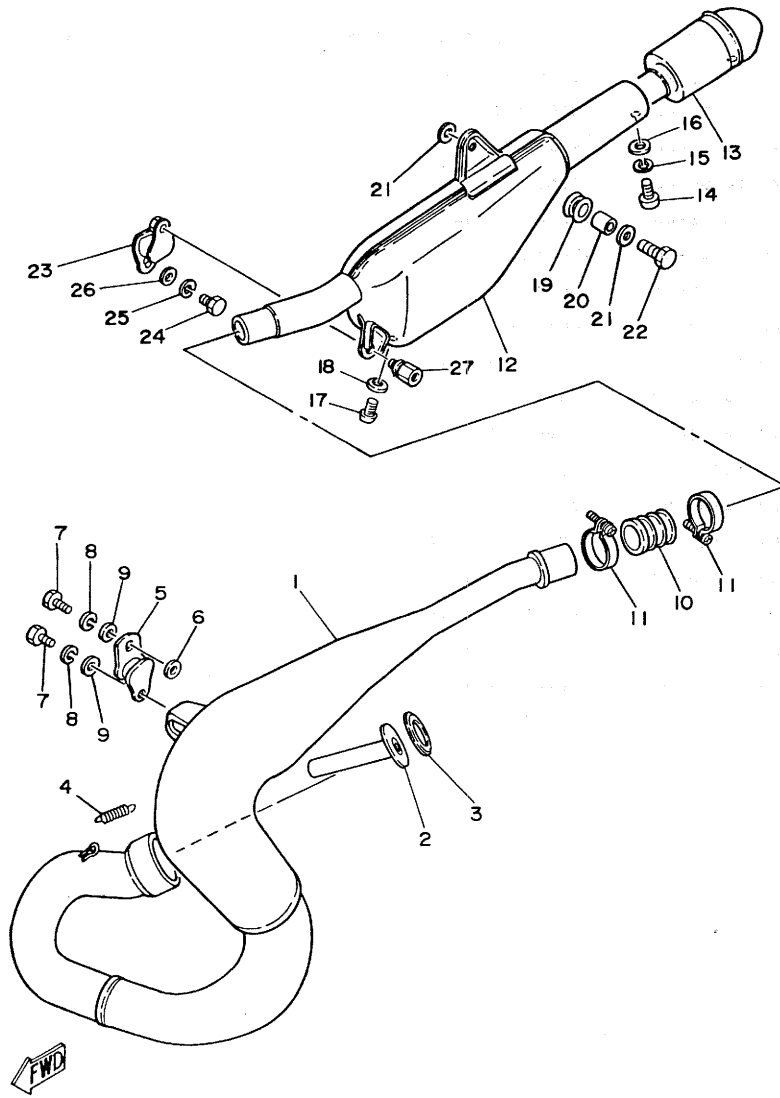


| REF. NO. | PART NO. | DESCRIPTION | Q'TY | REMARKS |
|----------|--------------|------------------------|------|---------|
| 27 | 2X7-14112-20 | •VALVE, throttle (2.0) | 1 | |
| 28 | 509-14274-00 | •CONNECTOR | 1 | |
| 29 | 3R4-14146-00 | •PLATE | 1 | |
| 30 | 2X7-14194-00 | •RING | 1 | |
| 31 | 510-14115-00 | •PLUG, screw | 1 | |
| 32 | 558-14147-00 | •O-RING | 1 | |
| 33 | 239-14116-34 | •NEEDLE | 1 | |
| 34 | 164-14137-00 | •CLIP | 1 | |
| 35 | 509-14136-00 | •SEAT, sPring | 1 | |
| 36 | 802-14174-00 | •CAP, PlunGer | 1 | |
| 37 | 2X7-14173-00 | •COVER, PlunGer caP | 1 | |
| 38 | 737-14241-00 | •BUSH | 1 | |
| 39 | 737-14137-00 | •CLIP | 1 | |
| 40 | 256-14135-00 | •SPRING, PlunGer | 1 | |
| 41 | 1W3-14178-00 | •PLATE, starter sPring | 1 | |
| 42 | 1W1-14171-00 | •PLUNGER, starter | 1 | |
| 43 | 1W3-14158-00 | •TOP, mixing chamber | 1 | |
| 44 | 1W3-14175-00 | •LEVER, starter 1 | 1 | |

FWD

B8

FIG. 6 EXHAUST



| REF. NO. | PART NO. | DESCRIPTION | Q'TY | REMARKS |
|----------|--------------|----------------------|------|---------|
| 1 | 4V5-14610-00 | EXHAUST PIPE ASSY 1 | 1 | |
| 2 | 5L4-14634-00 | PIPE, choke | 1 | |
| 3 | 3R4-14613-00 | GASKET, exhaust Pipe | 1 | |
| 4 | 90507-20030 | SPRING, tension | 3 | |
| 5 | 3R4-14781-02 | STAY, muffler 2 | 1 | |
| 6 | 92901-08200 | WASHER, Plain | 1 | |
| 7 | 97301-08016 | BOLT | 2 | |
| 8 | 92901-08100 | WASHER, sPring | 2 | |
| 9 | 92901-08600 | WASHER, Plate | 2 | |
| 10 | 1M1-14714-00 | GASKET, muffler | 1 | |
| 11 | 90460-43053 | CLAMP, hose | 2 | |
| 12 | 4V5-14753-00 | SILENCER, exhaust | 1 | |
| 13 | 4V5-14752-00 | PIPE, outlet | 1 | |
| 14 | 92501-06012 | SCREW, Pan head | 1 | |
| 15 | 92901-06100 | WASHER, sPring | 1 | |
| 16 | 92901-06600 | WASHER, Plate | 1 | |
| 17 | 92501-06008 | SCREW, Pan head | 1 | |
| 18 | 90202-06010 | WASHER, Plate | 1 | |
| 19 | 565-14747-00 | DAMPER, muffler | 1 | |
| 20 | 90387-08258 | COLLAR | 1 | |
| 21 | 90201-08114 | WASHER, Plate | 2 | |
| 22 | 90109-08512 | BOLT | 1 | |
| 23 | 565-14771-00 | STAY, muffler 1 | 1 | |
| 24 | 97301-06016 | BOLT | 1 | |
| 25 | 92901-06100 | WASHER, sPring | 1 | |
| 26 | 92901-06600 | WASHER, Plate | 1 | |
| 27 | 90109-06551 | BOLT | 1 | |

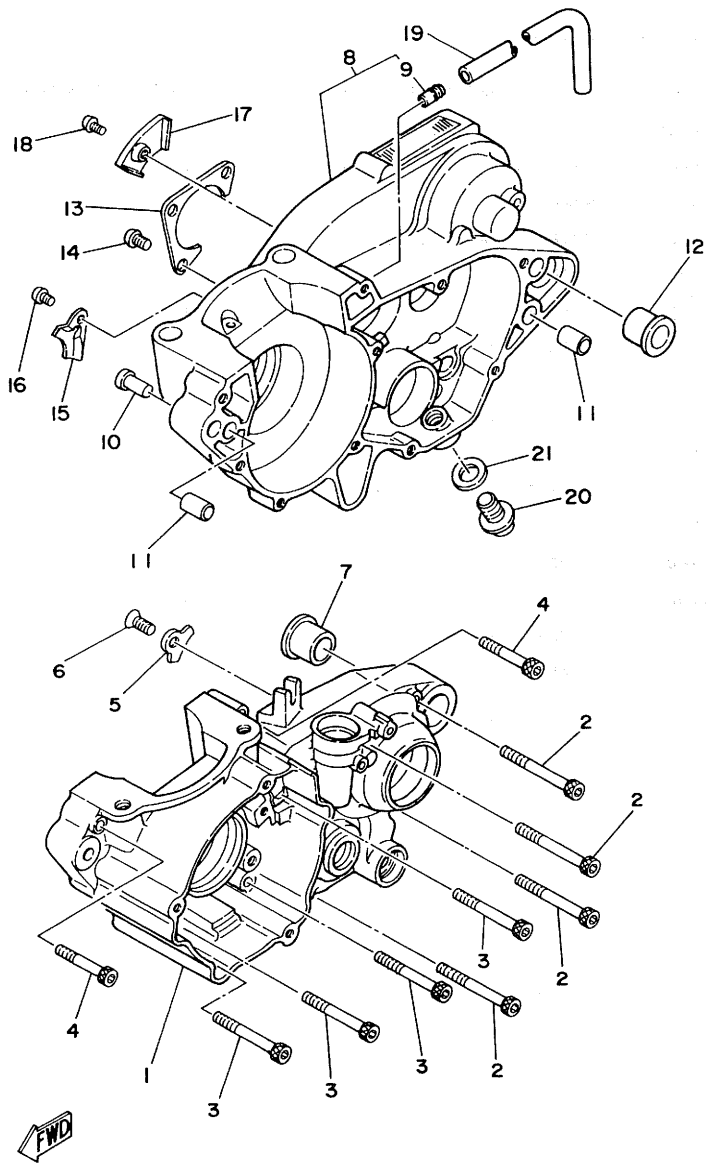
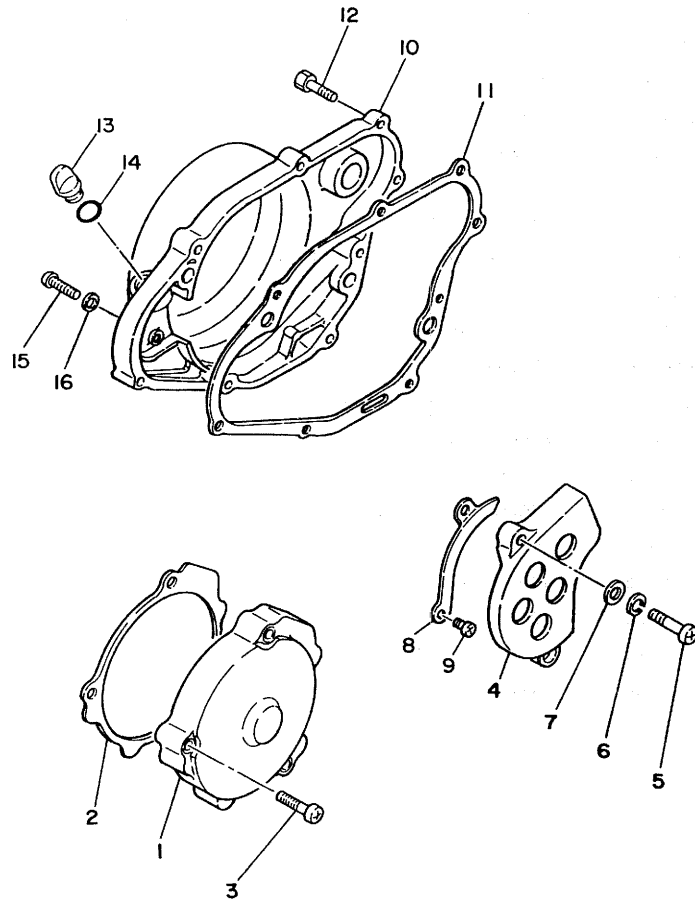


FIG. 7 CRANKCASE

| REF. NO. | PART NO. | DESCRIPTION | Q'TY | REMARKS |
|----------|--------------|-------------------------|------|---------|
| 1 | 3R4-15111-01 | CRANKCASE 1 | 1 | |
| 2 | 91316-06060 | BOLT | 4 | |
| 3 | 91316-06055 | BOLT | 4 | |
| 4 | 91316-06040 | BOLT | 2 | |
| 5 | 3R4-15383-01 | PLATE, bearing cover | 1 | |
| 6 | 92701-06012 | SCREW, flat head | 1 | |
| 7 | 90387-16776 | COLLAR | 1 | |
| 8 | 3R4-W1512-01 | CRANKCASE 2 | 1 | |
| 9 | 137-13115-00 | CONNECTOR, suction pipe | 1 | |
| 10 | 90338-07011 | PLUG | 1 | |
| 11 | 91810-05016 | PIN, dowel | 4 | |
| 12 | 90387-16776 | COLLAR | 1 | |
| 13 | 3R4-15381-00 | PLATE, bearing cover | 1 | |
| 14 | 92501-06012 | SCREW, Pan head | 3 | |
| 15 | 3R4-15118-00 | HOLDER | 1 | |
| 16 | 92501-08010 | SCREW, Pan head | 1 | |
| 17 | 3R4-15113-00 | PLATE | 1 | |
| 18 | 92501-06012 | SCREW, Pan head | 1 | |
| 19 | 90445-08605 | HOSE | 1 | |
| 20 | 90340-12059 | PLUG, straight screw | 1 | |
| 21 | 90430-12038 | GASKET | 1 | |

FIG. 8 CRANKCASE COVER

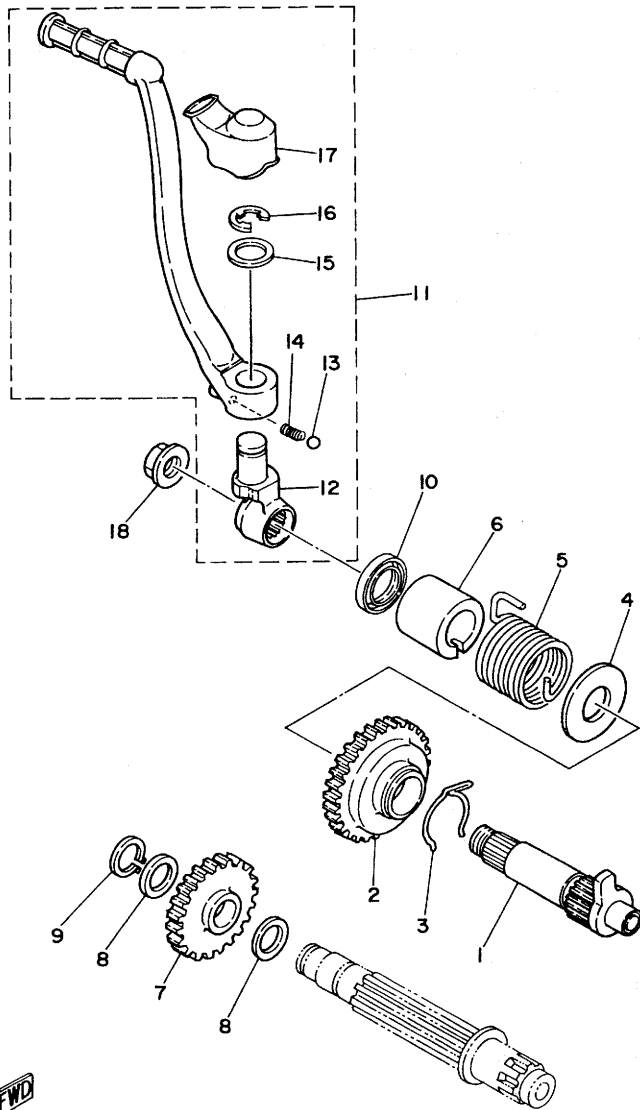


| REF. NO. | PART NO. | DESCRIPTION | Q'TY | REMARKS |
|----------|--------------|---------------------------|------|---------|
| 1 | 4V5-15411-00 | COVER, crankcase 1 | 1 | |
| 2 | 4V5-15451-00 | GASKET, crankcase cover | 1 | |
| 3 | 92506-06035 | SCREW, Pan head | 3 | |
| 4 | 3R4-15421-00 | COVER, crankcase 2 | 1 | |
| 5 | 92506-06025 | SCREW, Pan head | 1 | |
| 6 | 92906-06100 | WASHER, sPring | 1 | |
| 7 | 92906-06600 | WASHER, Plate | 1 | |
| 8 | 4V5-17446-00 | PLATE | 1 | |
| 9 | 92506-06012 | SCREW, Pan head | 1 | |
| 10 | 3R4-15431-02 | COVER, crankcase 3 | 1 | |
| 11 | 3R4-15462-00 | GASKET, crankcase cover 3 | 1 | |
| 12 | 91316-06025 | BOLT | 8 | |
| 13 | 1G8-15362-00 | PLUG, oil level | 1 | |
| 14 | 93210-14104 | O-RING | 1 | |
| 15 | 92506-06008 | SCREW, Pan head | 1 | |
| 16 | 90430-06016 | GASKET | 1 | |

FWD

B11

FIG. 9 KICK STARTER

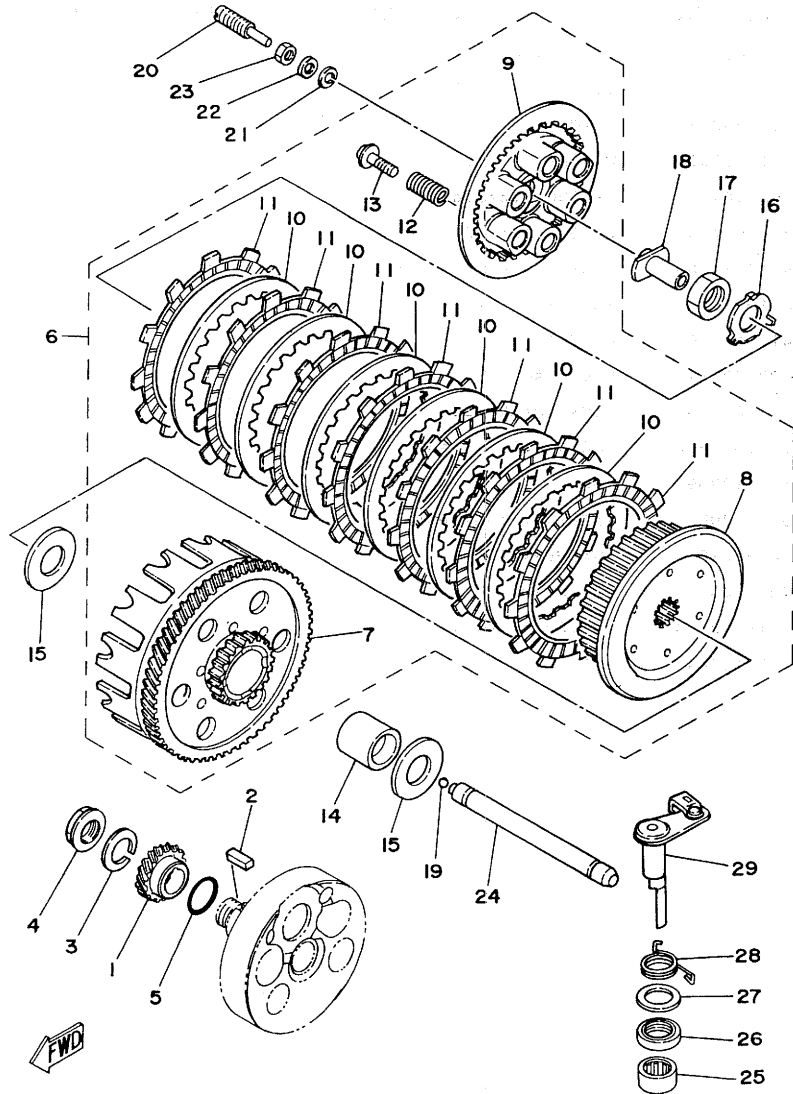


| REF. NO. | PART NO. | DESCRIPTION | Q'TY | REMARKS |
|----------|--------------|---------------------------|------|---------|
| 1 | 3R4-15660-00 | KICK AXLE ASSY | 1 | |
| 2 | 3R4-15641-00 | GEAR, kick (26T) | 1 | |
| 3 | 90468-26048 | CLIP | 1 | |
| 4 | 90201-20358 | WASHER, Plate | 1 | |
| 5 | 90508-30422 | SPRING, torsion | 1 | |
| 6 | 3R4-15664-00 | GUIDE, sPring | 1 | |
| 7 | 3R4-15651-00 | GEAR, sProcket idle (21T) | 1 | |
| 8 | 90201-17545 | WASHER, Plate | 2 | |
| 9 | 93410-17008 | CIRCLIP | 1 | |
| 10 | 93109-20014 | OIL SEAL | 1 | |
| 11 | 4V3-15620-00 | KICK CRANK ASSY | 1 | |
| 12 | 4V3-15621-00 | •BOSS, kick crank | 1 | |
| 13 | 93507-32009 | •BALL | 1 | |
| 14 | 90501-12081 | •SPRING, comPrission | 1 | |
| 15 | 90201-15234 | •WASHER, Plate | 1 | |
| 16 | 93430-10016 | •CIRCLIP | 1 | |
| 17 | 2K7-15618-00 | •COVER, kick lever | 1 | |
| 18 | 90179-12244 | NUT | 1 | |

FWD

B12

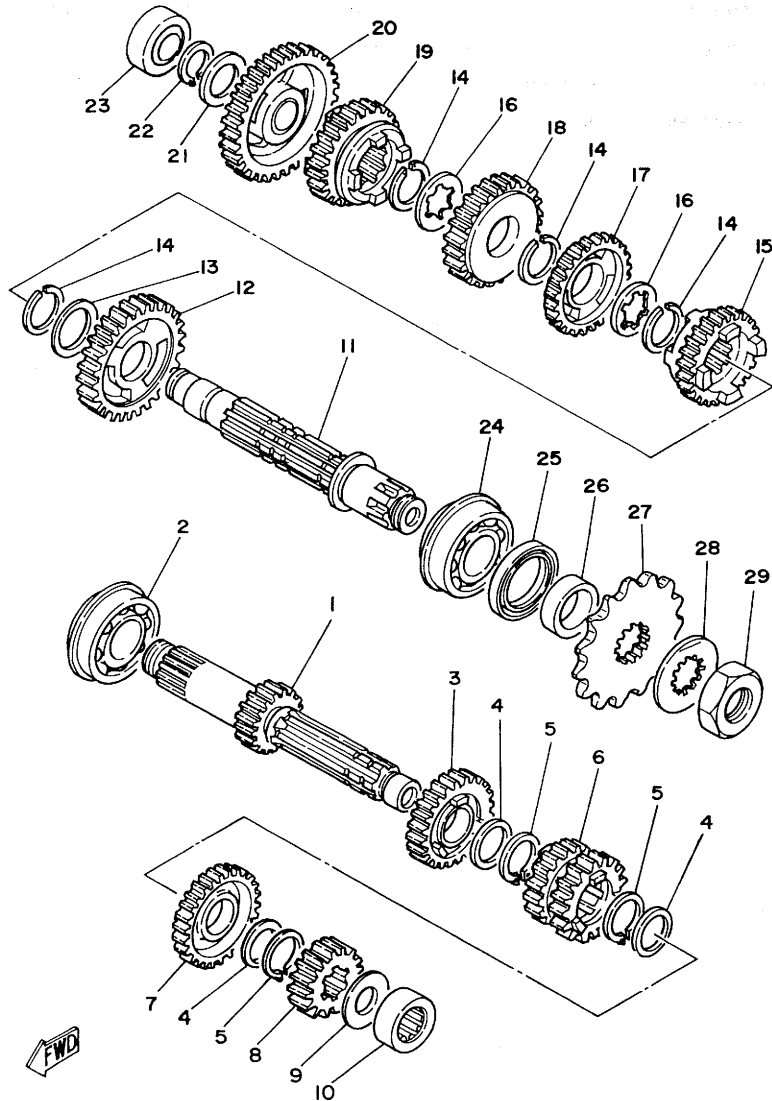
FIG. 10 CLUTCH



| REF. NO. | PART NO. | DESCRIPTION | Q'TY | REMARKS |
|----------|--------------|--------------------------------|------|---------|
| 1 | 3R4-16111-00 | GEAR, Primary drive (24T) | 1 | |
| 2 | 90282-07019 | KEY, straight | 1 | |
| 3 | 92901-18100 | WASHER, sPring | 1 | |
| 4 | 90170-18089 | NUT | 1 | |
| 5 | 93210-29282 | O-RING | 1 | |
| 6 | 4V3-16300-00 | CLUTCH ASSY | 1 | |
| 7 | 3R4-16150-00 | •PRIMARY DRIVEN GEAR COMP.(63T | 1 | |
| 8 | 3R4-16371-00 | •BOSS, clutch | 1 | |
| 9 | 1M1-16351-00 | •PLATE, Pressure 1 | 1 | |
| 10 | 168-16325-00 | •PLATE, clutch 2 | 6 | |
| 11 | 383-16321-00 | •PLATE, friction | 7 | |
| 12 | 90501-23138 | •SPRING, comPression | 6 | |
| 13 | 90159-06016 | •SCREW, with washer | 6 | |
| 14 | 2K7-16181-00 | SPACER 1 | 1 | |
| 15 | 2K7-16154-00 | PLATE, thrust 1 | 2 | |
| 16 | 90215-20125 | WASHER, lock | 1 | |
| 17 | 90170-20255 | NUT | 1 | |
| 18 | 3R4-16356-00 | ROD, Push 1 | 1 | |
| 19 | 93515-32029 | BALL | 1 | |
| 20 | 90149-08143 | SCREW | 1 | |
| 21 | 92901-08100 | WASHER, sPring | 1 | |
| 22 | 90201-08092 | WASHER, Plate | 1 | |
| 23 | 95311-08700 | NUT | 1 | |
| 24 | 2K7-16357-00 | ROD, Push 2 | 1 | |
| 25 | 93315-21721 | BEARING, cylindrical | 1 | |
| 26 | 93102-17004 | OIL SEAL | 1 | |
| 27 | 90201-17327 | WASHER, Plate | 1 | |
| 28 | 90508-14423 | SPRING, torsion | 1 | |
| 29 | 4V4-16380-00 | PUSH LEVER ASSY | 1 | |

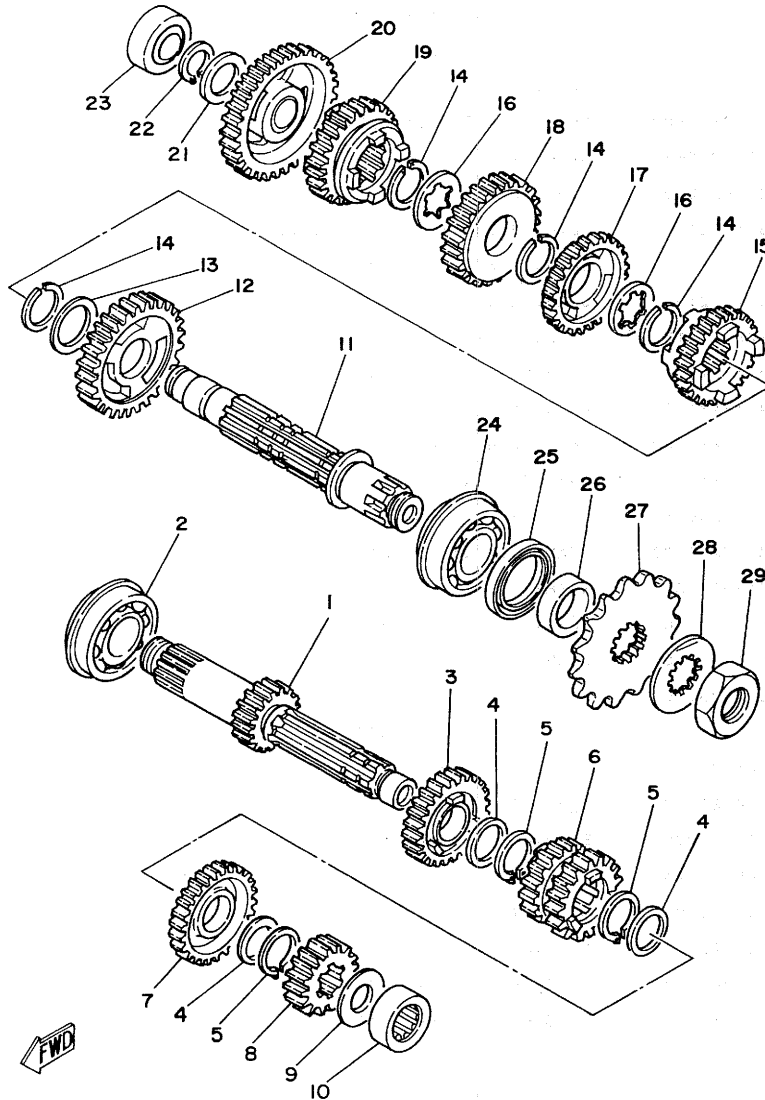
B13

FIG. 11 TRANSMISSION



| REF. NO. | PART NO. | DESCRIPTION | Q'TY | REMARKS |
|----------|--------------|--------------------------------|------|---------|
| 1 | 4V5-17411-00 | AXLE, main (12T) | 1 | |
| 2 | 93306-20542 | BEARING | 1 | |
| 3 | 4V5-17151-00 | GEAR, 5th Pinion (22T) | 1 | |
| 4 | 90201-22555 | WASHER, Plate | 3 | |
| 5 | 93410-22039 | CIRCLIP | 3 | |
| 6 | 4V5-17131-00 | GEAR, 3rd/4th Pinion (16T/20T) | 1 | |
| 7 | 3R4-17161-03 | GEAR, 6th Pinion (24T) | 1 | |
| 8 | 5L4-17121-00 | GEAR, 2nd Pinion (15T) | 1 | |
| 9 | 90209-17212 | WASHER | 1 | |
| 10 | 93311-41734 | BEARING, cylindrical | 1 | |
| 11 | 3R4-17421-00 | AXLE, drive | 1 | |
| 12 | 4V5-17221-00 | GEAR, 2nd wheel (30T) | 1 | |
| 13 | 90201-25287 | WASHER, Plate | 1 | |
| 14 | 93440-25084 | CIRCLIP | 4 | |
| 15 | 3R4-17261-02 | GEAR, 6th wheel (21T) | 1 | |
| 16 | 90209-22082 | WASHER | 2 | |
| 17 | 4V5-17241-00 | GEAR, 4th wheel (25T) | 1 | |
| 18 | 4V5-17231-00 | GEAR, 3rd wheel (25T) | 1 | |
| 19 | 4V5-17251-00 | GEAR, 5th wheel (23T) | 1 | |
| 20 | 2X7-17211-00 | GEAR, 1st wheel (32T) | 1 | |
| 21 | 90201-20278 | WASHER, Plate | 1 | |
| 22 | 93410-20038 | CIRCLIP | 1 | |
| 23 | 93311-62035 | BEARING, cylindrical | 1 | |
| 24 | 93306-20544 | BEARING | 1 | |
| 25 | 93102-32M07 | OIL SEAL | 1 | |
| 26 | 90387-25663 | COLLAR | 1 | |
| 27 | 1W4-17461-30 | SPROCKET, drive (13T) | 1 | UR STD |
| | 1W4-17461-40 | SPROCKET, drive (14T) | 1 | AP |

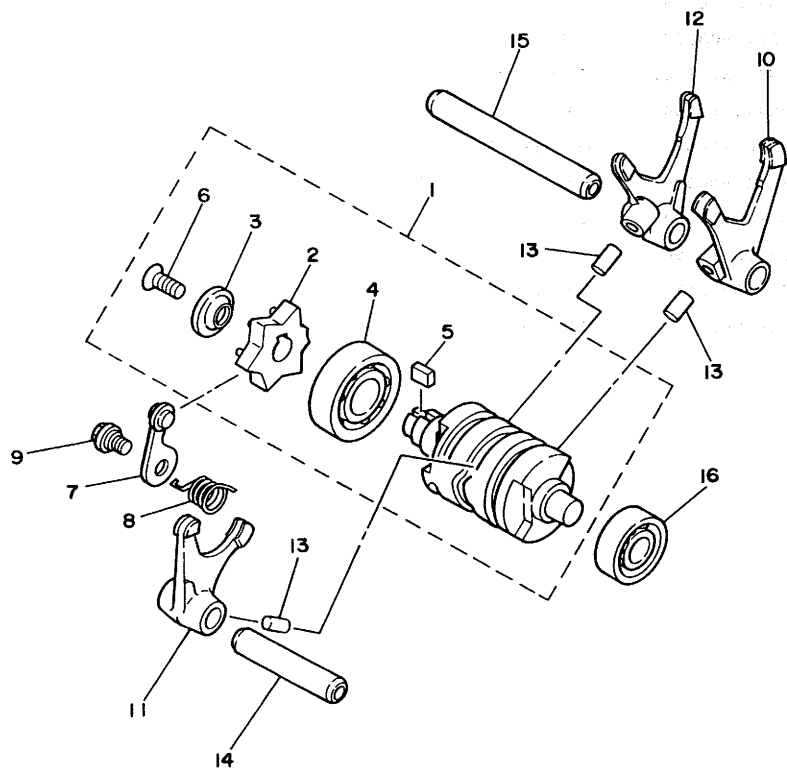
FIG. 11 TRANSMISSION



| REF. NO. | PART NO. | DESCRIPTION | Q'TY | REMARKS |
|----------|--------------|-----------------------|------|---------|
| 27 | 1W4-17461-50 | SPROCKET, drive (15T) | 1 | AP |
| 28 | 90215-21121 | WASHER, lock | 1 | |
| 29 | 90179-20255 | NUT | 1 | |

B15

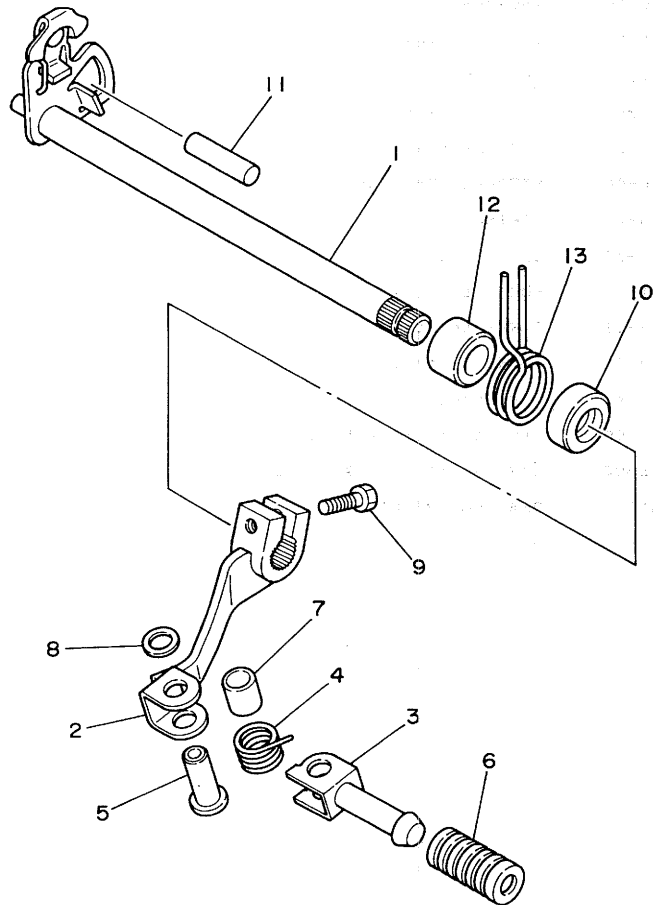
FIG. 12 SHIFT CAM•FORK



| REF. NO. | PART NO. | DESCRIPTION | Q'TY | REMARKS |
|----------|--------------|-------------------------|------|---------|
| 1 | 3R4-18540-02 | SHIFT CAM ASSY | 1 | |
| 2 | 3R4-18185-00 | •SEGMENT | 1 | |
| 3 | 3R4-18561-00 | •PLATE, side 1 | 1 | |
| 4 | 93306-00422 | •BEARING | 1 | |
| 5 | 90282-04036 | •KEY, straight | 1 | |
| 6 | 98701-05016 | •SCREW, flat head | 1 | |
| 7 | 3R4-18140-00 | STOPPER LEVER ASSY | 1 | |
| 8 | 90508-24522 | SPRING, torsion | 1 | |
| 9 | 1W1-18177-00 | BOLT, stopPer | 1 | |
| 10 | 3R4-18511-01 | FORK, shift 1 | 1 | |
| 11 | 3R4-18512-01 | FORK, shift 2 | 1 | |
| 12 | 3R4-18513-01 | FORK, shift 3 | 1 | |
| 13 | 93606-14154 | PIN, dowel | 3 | |
| 14 | 5X5-18531-00 | BAR, shift fork Guide 1 | 1 | |
| 15 | 5X5-18535-00 | BAR, shift fork Guide 2 | 1 | |
| 16 | 93306-20107 | BEARING (B6201) | 1 | |



FIG. 13 SHIFT SHAFT PEDAL

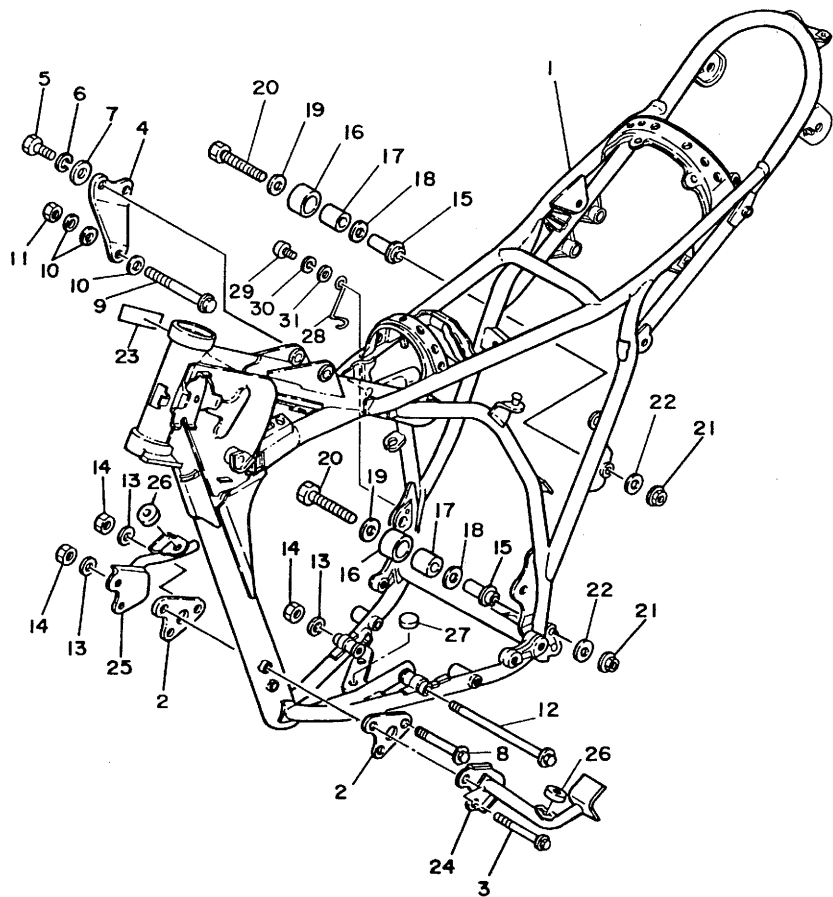


| REF. NO. | PART NO. | DESCRIPTION | Q'TY | REMARKS |
|----------|--------------|--------------------|------|---------|
| 1 | 5X5-18101-00 | SHIFT SHAFT ASSY | 1 | |
| 2 | 5X6-18111-00 | PEDAL, shift | 1 | |
| 3 | 5X4-18162-00 | PEDAL, shift | 1 | |
| 4 | 90508-14516 | SPRING, torsion | 1 | |
| 5 | 90243-08020 | PIN | 1 | |
| 6 | 1W6-18113-00 | COVER, shift Pedal | 1 | |
| 7 | 90446-11180 | HOSE | 1 | |
| 8 | 90201-06042 | WASHER, Plate | 1 | |
| 9 | 97321-06020 | BOLT | 1 | |
| 10 | 93101-12004 | OIL SEAL | 1 | |
| 11 | 93608-25150 | PIN, dowel | 1 | |
| 12 | 90560-12171 | SPACER | 1 | |
| 13 | 90508-29361 | SPRING, torsion | 1 | |

FWD

C3

FIG. 14 FRAME

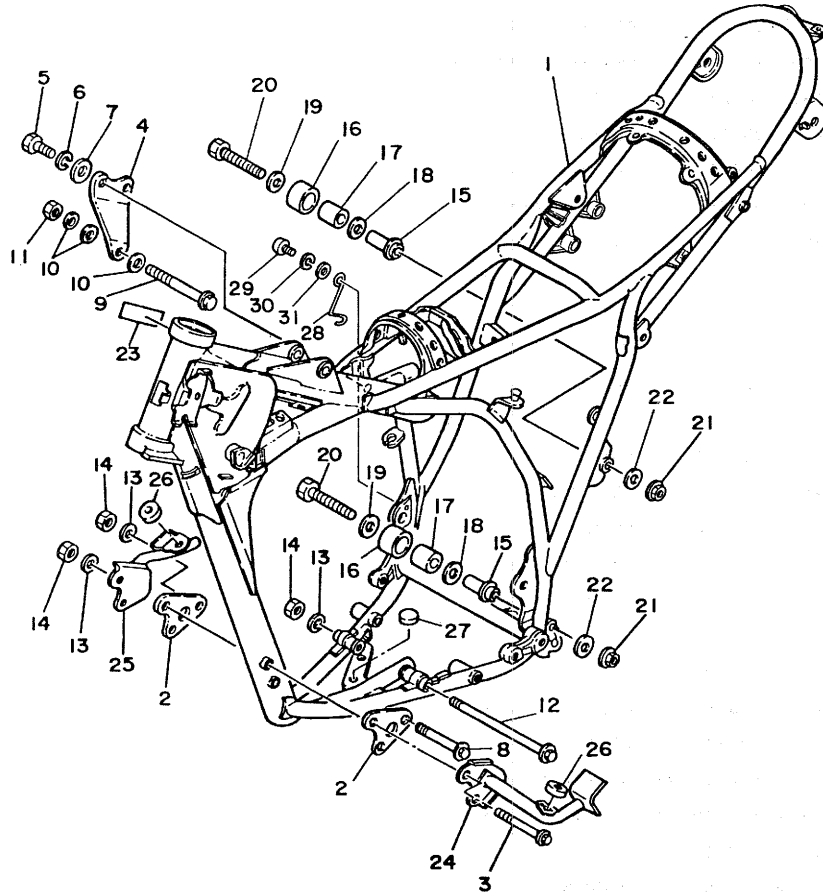


| REF. NO. | PART NO. | DESCRIPTION | Q'TY | REMARKS |
|----------|-----------------|------------------------|------|--------------|
| 1 | 5L4-21110-01-33 | FRAME COMP | 1 | yamaha black |
| 2 | 3R4-21415-00 | BRACKET, front upper 1 | 2 | |
| 3 | 95811-08080 | BOLT, flange | 2 | |
| 4 | 4V3-21425-00 | BRACKET, rear upper 1 | 1 | |
| 5 | 97321-08025 | BOLT | 2 | |
| 6 | 92901-08100 | WASHER, spring | 2 | |
| 7 | 92901-08600 | WASHER, Plate | 2 | |
| 8 | 95811-08075 | BOLT, flange | 1 | |
| 9 | 95811-10045 | BOLT, flange | 1 | |
| 10 | 92901-10200 | WASHER, Plain | 3 | |
| 11 | 95601-10100 | NUT, u | 1 | |
| 12 | 95811-08170 | BOLT, flange | 1 | |
| 13 | 92901-08200 | WASHER, Plain | 4 | |
| 14 | 90185-08089 | NUT, self-locking | 4 | |
| 15 | 2K7-2148A-00 | SHAFT | 2 | |
| 16 | 5X6-22178-00 | TENSIONER | 2 | |
| 17 | 4V4-22184-00 | BUSH | 2 | |
| 18 | 90201-13202 | WASHER, Plate | 2 | |
| 19 | 90201-08113 | WASHER, Plate | 2 | |
| 20 | 97301-08055 | BOLT | 2 | |
| 21 | 95602-08100 | NUT, u | 2 | |
| 22 | 90201-08638 | WASHER, Plate | 2 | |
| 23 | 3R4-2139W-00 | COVER | 1 | |
| 24 | 4V5-2147A-00-33 | GUARD, engine 1 | 1 | yamaha black |
| 25 | 4V5-2147E-00-33 | GUARD, engine 2 | 1 | yamaha black |
| 26 | 2J5-21732-00 | SEAL 1 | 2 | |
| 27 | 431-24181-00 | DAMPER, locating 1 | 2 | |
| 28 | 5L4-2741H-00 | HOLDER, spring | 1 | |

FWD

FIG. 14 FRAME

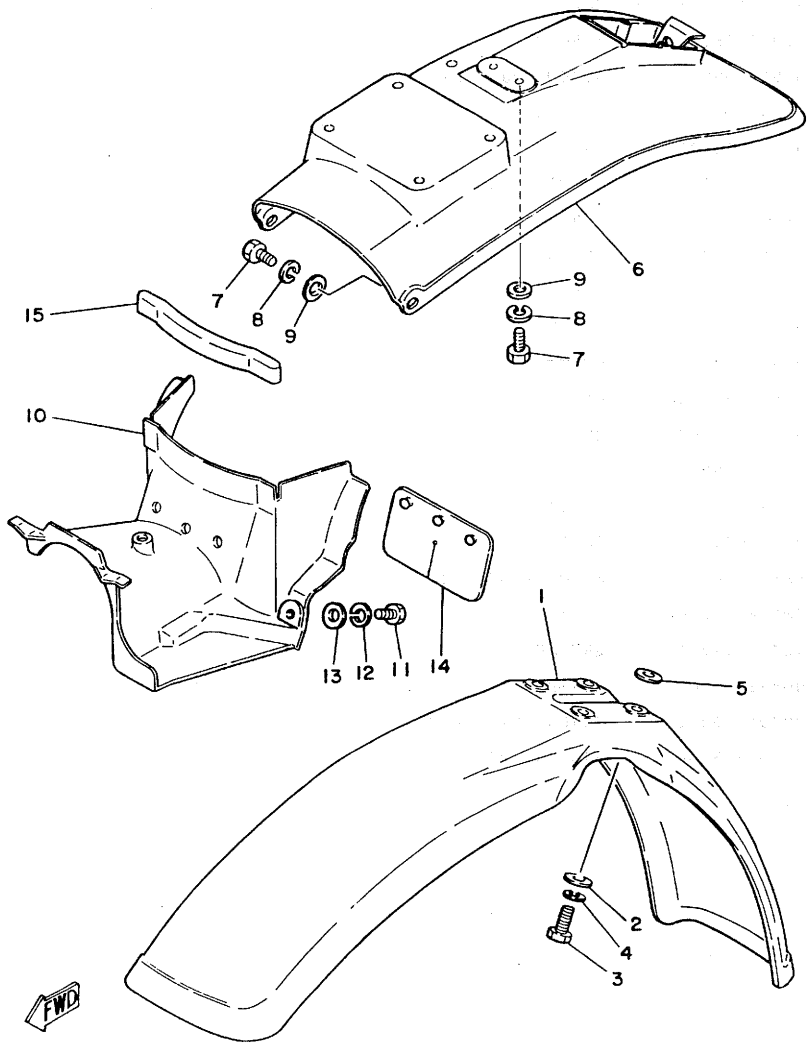
| REF. NO. | PART NO. | DESCRIPTION | Q'TY | REMARKS |
|----------|-------------|-----------------|------|---------|
| 29 | 92501-06010 | SCREW, Pan head | 1 | |
| 30 | 92901-06100 | WASHER, sPring | 1 | |
| 31 | 92901-06200 | WASHER, Plain | 1 | |



C5

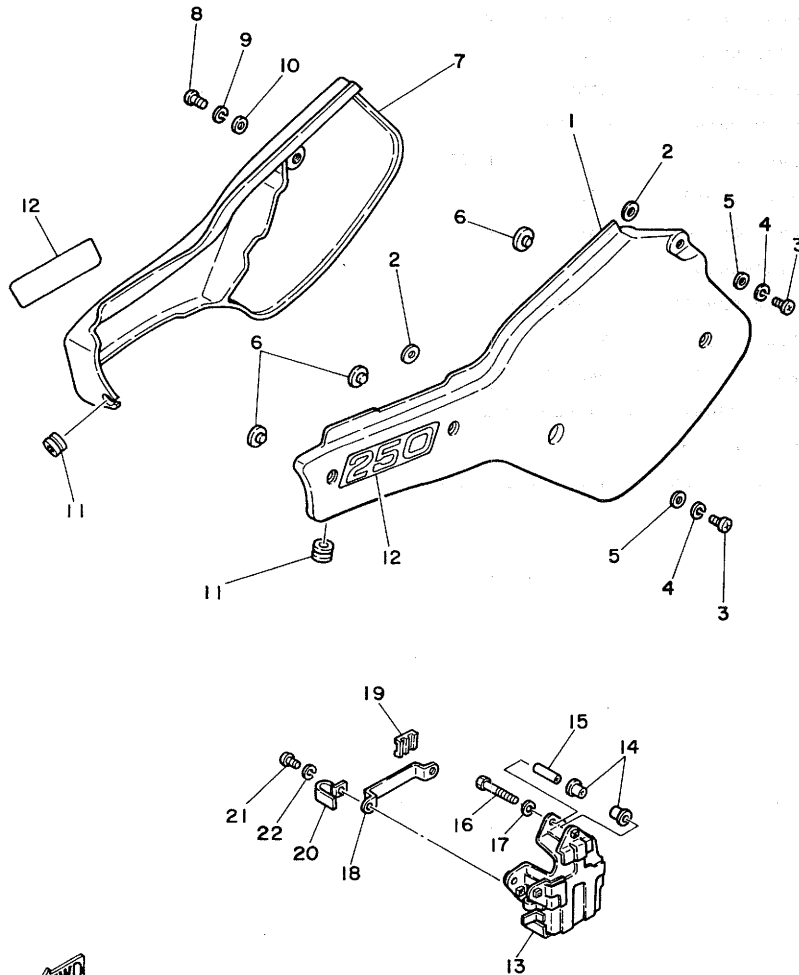
FIG. 15 FRONT FENDER-REAR FENDER

| REF. NO. | PART NO. | DESCRIPTION | Q'TY | REMARKS |
|----------|--------------|-------------------|------|----------|
| 1 | 3R9-21511-10 | FENDER, front | 1 | sky blue |
| 2 | 90201-06067 | WASHER, Plate | 4 | |
| 3 | 97302-06020 | BOLT | 4 | |
| 4 | 92902-06100 | WASHER, sPring | 4 | |
| 5 | 90209-06187 | WASHER | 4 | |
| 6 | 5L4-21610-10 | REAR FENDER COMP. | 1 | sky blue |
| 7 | 97306-06016 | BOLT | 4 | |
| 8 | 92906-06100 | WASHER, sPring | 4 | |
| 9 | 90201-06067 | WASHER, Plate | 4 | |
| 10 | 4V5-21629-00 | GUARD, mud | 1 | |
| 11 | 97301-06016 | BOLT | 2 | |
| 12 | 92902-06100 | WASHER, sPring | 2 | |
| 13 | 90201-06067 | WASHER, Plate | 2 | |
| 14 | 1M1-21621-00 | FLAP | 1 | |
| 15 | 565-21746-00 | SEAL, mud guard | 1 | |



C6

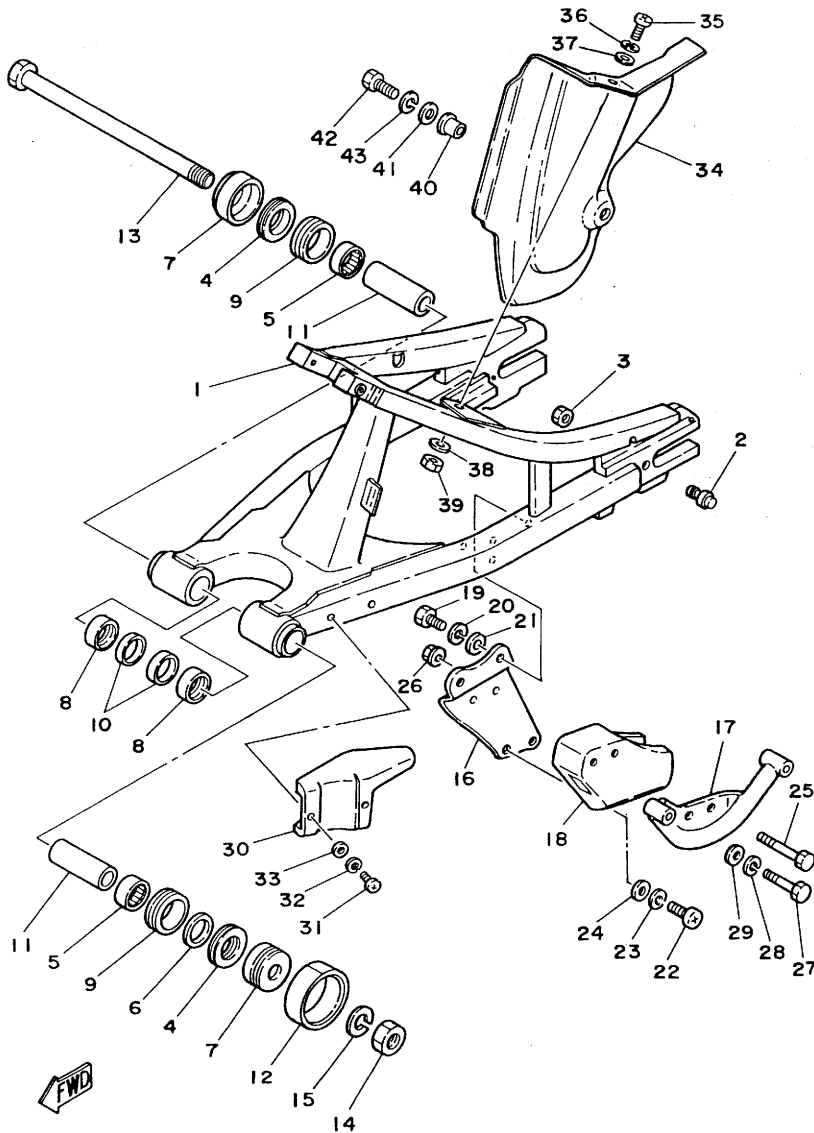
FIG. 16 SIDE COVER



| REF. NO. | PART NO. | DESCRIPTION | Q'TY | REMARKS |
|----------|-----------------|--------------------|------|-------------------------------|
| 1 | 4V5-21711-10-26 | COVER, side 1 | 1 | comPetition ye-llow /sky blue |
| 2 | 92902-08200 | WASHER | 2 | |
| 3 | 92501-06015 | SCREW, Pan head | 2 | |
| 4 | 92901-06100 | WASHER, sPring | 2 | |
| 5 | 90201-06571 | WASHER, Plate | 2 | |
| 6 | 431-24181-00 | DAMPER, locating 1 | 3 | |
| 7 | 4V5-21721-10-26 | COVER, side 2 | 1 | comPetition ye-llow /sky blue |
| 8 | 92501-06015 | SCREW, Pan head | 1 | |
| 9 | 92901-06100 | WASHER, sPring | 1 | |
| 10 | 90201-06571 | WASHER, Plate | 1 | |
| 11 | 90480-12053 | GROMMET | 2 | |
| 12 | 4V5-21737-00 | EMBLEM | 2 | |
| 13 | 3W1-21170-00 | BOX COMP. | 1 | |
| 14 | 90480-15279 | GROMMET | 4 | |
| 15 | 90387-06574 | COLLAR | 2 | |
| 16 | 97301-06045 | BOLT | 2 | |
| 17 | 92901-06100 | WASHER, sPring | 2 | |
| 18 | 3W1-2176E-00 | PLATE | 1 | |
| 19 | 4J2-21773-00 | GROMMET | 2 | |
| 20 | 90462-05005 | CLAMP | 1 | |
| 21 | 92501-06012 | SCREW, Pan head | 2 | |
| 22 | 92902-06100 | WASHER, sPring | 2 | |

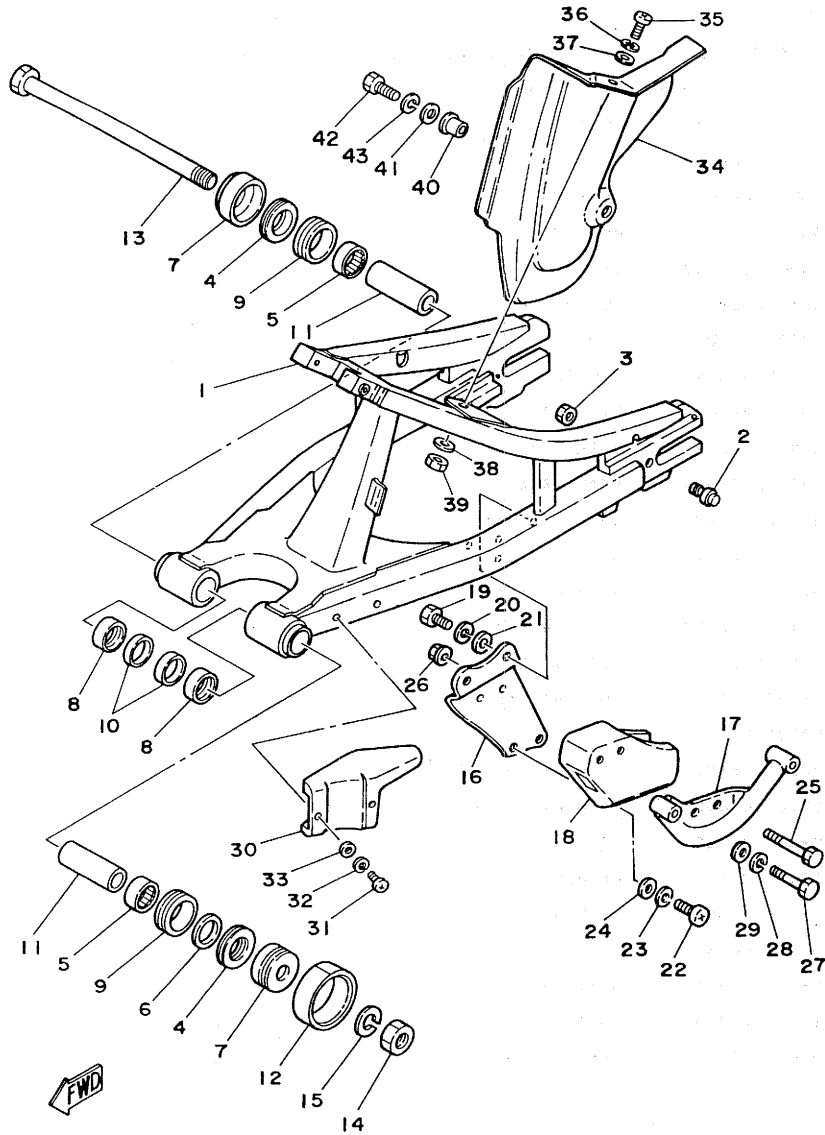


FIG. 17 REAR ARM



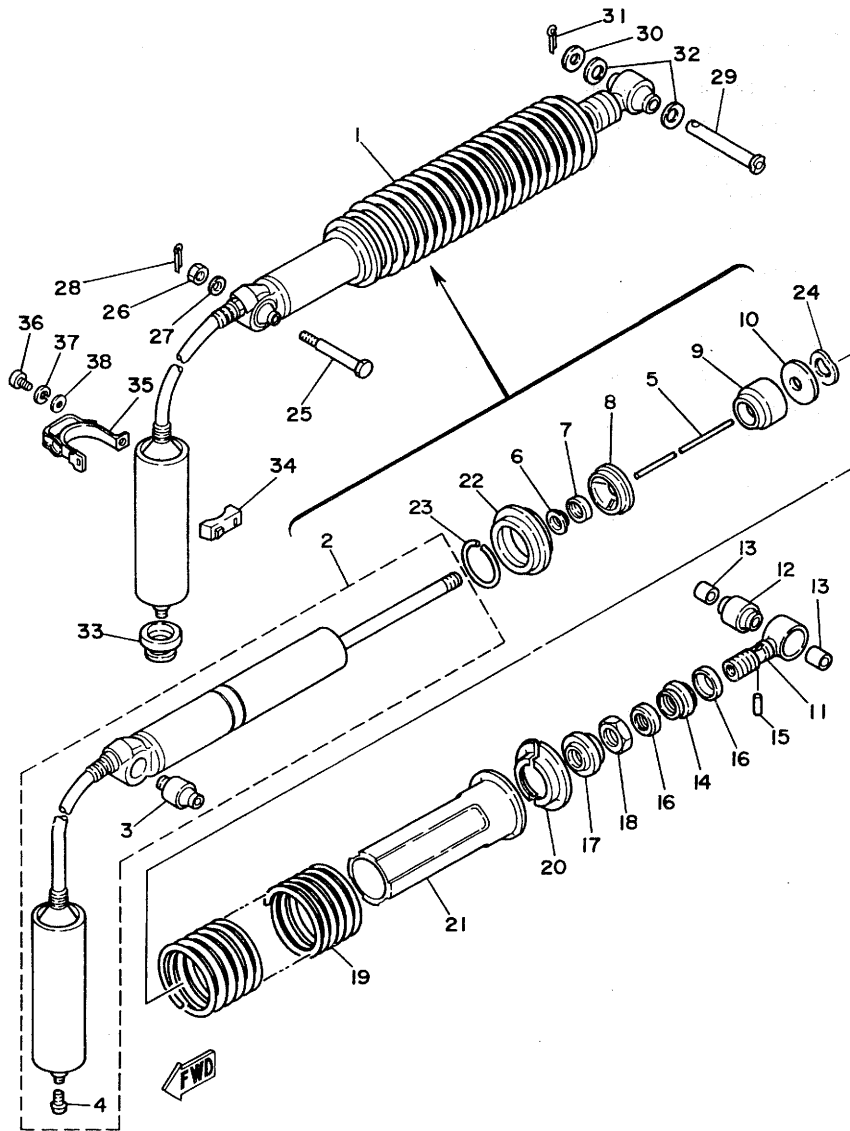
| REF. NO. | PART NO. | DESCRIPTION | Q'TY | REMARKS |
|----------|-----------------|----------------------|------|---------|
| 1 | 4V5-22110-00-35 | REAR ARM COMP. | 1 | silver |
| 2 | 90109-08599 | BOLT | 2 | |
| 3 | 90179-08278 | NUT | 2 | |
| 4 | 93342-22208 | BEARING | 2 | |
| 5 | 93317-22214 | BEARING, cylindrical | 2 | |
| 6 | 648-45533-00-03 | SHIM (0.3T) | 1 | UN |
| 7 | 3R4-22129-00 | COVER, thrust 2 | 2 | |
| 8 | 90386-22097 | BUSH | 2 | |
| 9 | 93108-35004 | OIL SEAL | 2 | |
| 10 | 93109-22018 | OIL SEAL | 2 | |
| 11 | 90380-16077 | BUSH, solid | 2 | |
| 12 | 431-22151-03 | SEAL, guard | 1 | |
| 13 | 3R4-22141-00 | SHAFT, Pivot | 1 | |
| 14 | 90170-16111 | NUT | 1 | |
| 15 | 92901-16100 | WASHER, sPring | 1 | |
| 16 | 2X4-22179-00 | ARM, tensioner | 1 | |
| 17 | 3R5-22153-00 | GUARD, chain | 1 | |
| 18 | 2X4-22199-00 | SUPPDRT, chain | 1 | |
| 19 | 97301-08016 | BOLT | 1 | |
| 20 | 92901-08100 | WASHER, sPring | 1 | |
| 21 | 92901-08600 | WASHER, Plate | 1 | |
| 22 | 92501-06020 | SCREW, Pan head | 2 | |
| 23 | 92901-06100 | WASHER, sPring | 2 | |
| 24 | 92901-06600 | WASHER, Plate | 2 | |
| 25 | 97301-06050 | BOLT | 2 | |
| 26 | 95702-06300 | NUT, nylon | 2 | |
| 27 | 97301-08035 | BOLT | 2 | |
| 28 | 92901-08100 | WASHER, sPring | 2 | |

FIG. 17 REAR ARM



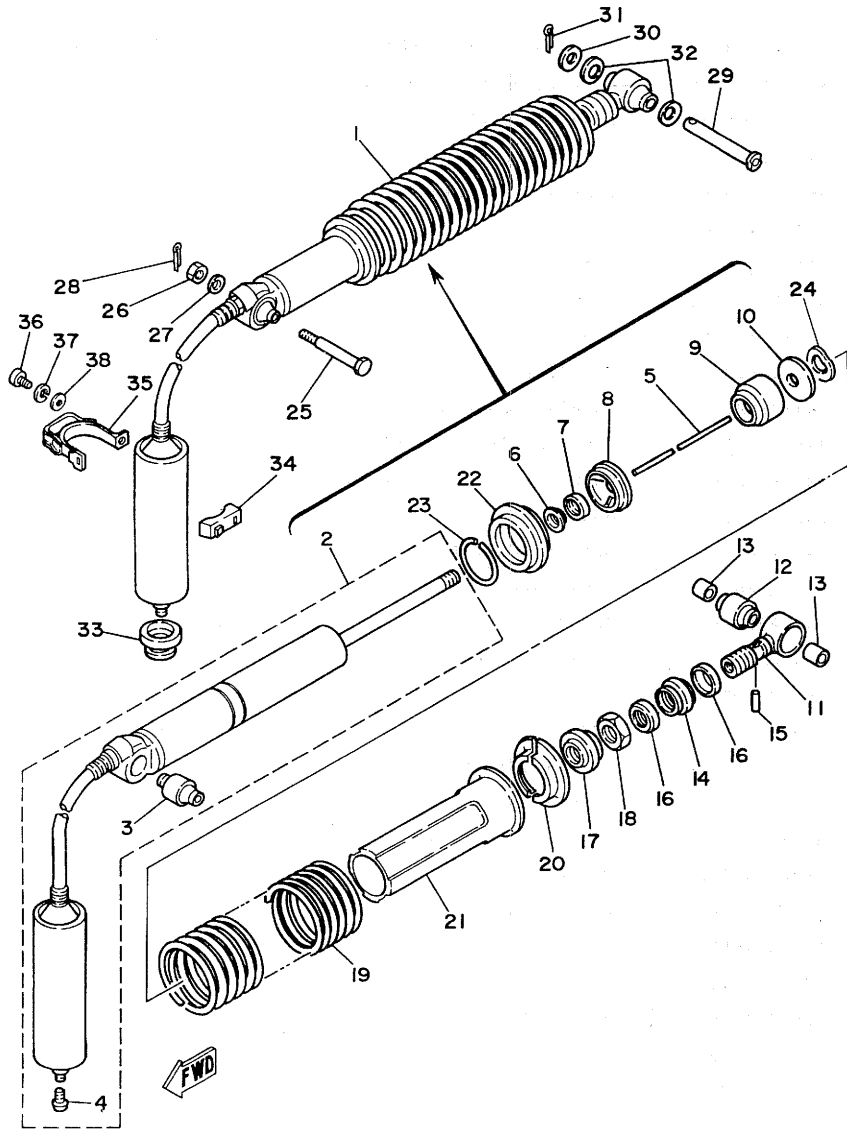
| REF. NO. | PART NO. | DESCRIPTION | Q'TY | REMARKS |
|----------|--------------|------------------|------|---------|
| 29 | 92901-08600 | WASHER, Plate | 2 | |
| 30 | 3R4-22147-00 | PROTECTOR, chain | 1 | |
| 31 | 98501-05010 | SCREW, Pan head | 2 | |
| 32 | 92901-05100 | WASHER, sPring | 2 | |
| 33 | 92901-05200 | WASHER, Plain | 2 | |
| 34 | 4V5-22311-00 | CASE, chain | 1 | black |
| 35 | 92501-06020 | SCREW, Pan head | 1 | |
| 36 | 92901-06100 | WASHER, sPring | 1 | |
| 37 | 92901-06600 | WASHER, Plate | 1 | |
| 38 | 90201-06067 | WASHER, Plate | 1 | |
| 39 | 95601-06100 | NUT, u | 1 | |
| 40 | 90560-08066 | SPACER | 1 | |
| 41 | 92901-08200 | WASHER, Plain | 1 | |
| 42 | 97301-08020 | BOLT | 1 | |
| 43 | 92901-08100 | WASHER, sPring | 1 | |

FIG. 18 REAR SUSPENSION



| REF. NO. | PART NO. | DESCRIPTION | Q'TY | REMARKS |
|----------|--------------|------------------------------|------|----------------|
| 1 | 4V5-22210-00 | SHOCK ABSORBER ASSY, rear | 1 | |
| 2 | 4V5-22401-00 | .DUMPER SUB ASSY | 1 | |
| 3 | 1W1-22216-00 | ..BUSH, rear shock absorber | 1 | |
| 4 | 98501-04005 | ..SCREW, Pan head | 1 | |
| 5 | 3R4-22489-00 | ..ROD, Push | 1 | |
| 6 | 3R4-22475-00 | ..SEAL, dust | 1 | |
| 7 | 3R4-22473-00 | ..HOUSING, seal ring | 1 | |
| 8 | 4L0-22472-00 | ..CAP, case | 1 | |
| 9 | 1W1-22493-00 | ..STOPPER, bump | 1 | |
| 10 | 3R4-22228-00 | ..SUPPORT, bump stop | 1 | |
| 11 | 3R4-22409-00 | ..UPPER BRACKET SUB ASSY | 1 | |
| 12 | 3R4-22226-00 | ..BUSH, shock absorber lower | 1 | |
| 13 | 90380-12051 | ..BUSH, solid | 2 | |
| 14 | 3R4-22497-00 | ..NUT, adjusting | 1 | |
| 15 | 93604-26132 | ..PIN, dowel | 1 | |
| 16 | 3R4-22221-01 | ..COVER | 2 | |
| 17 | 3R4-22213-00 | ..SEAT, sPring upper | 1 | |
| 18 | 90170-20213 | ..NUT | 1 | |
| 19 | 4V5-22212-00 | ..SPRING | 1 | (yellow / red) |
| 20 | 3R4-22214-00 | ..GUIDE, sPring 1 | 2 | |
| 21 | 3R4-22224-00 | ..GUIDE, sPring 2 | 1 | |
| 22 | 3R4-22223-00 | ..SEAT, sPring lower | 1 | |
| 23 | 93440-50078 | ..CIRCLIP | 1 | |
| 24 | 90206-14067 | ..WASHER, wave | 1 | |
| 25 | 90109-10550 | BOLT | 1 | |
| 26 | 95302-10700 | NUT | 1 | |
| 27 | 92902-10600 | WASHER, Plate | 1 | |
| 28 | 91401-20025 | PIN, cotter | 1 | |

FIG. 18 REAR SUSPENSION



| REF. NO. | PART NO. | DESCRIPTION | Q'TY | REMARKS |
|----------|--------------|------------------|------|---------|
| 29 | 90240-12074 | PIN, clevis | 1 | |
| 30 | 92901-12600 | WASHER, Plate | 1 | |
| 31 | 91401-30025 | PIN, cotter | 1 | |
| 32 | 1W1-22128-00 | COVER, thrust 1 | 2 | |
| 33 | 90480-22263 | GROMMET | 1 | |
| 34 | 3R4-22261-00 | DAMPER, sub tank | 1 | |
| 35 | 4V4-22262-01 | HOLDER, sub tank | 1 | |
| 36 | 92502-06016 | SCREW, Pan head | 1 | |
| 37 | 92902-06100 | WASHER, sPring | 1 | |
| 38 | 92902-06600 | WASHER | 1 | |

C11

FIG. 19 STEERING

| REF. NO. | PART NO. | DESCRIPTION | Q'TY | REMARKS |
|----------|-----------------|----------------------|------|-----------------|
| 1 | 1W4-23435-00-98 | CRDWN, handle | 1 | low gloss black |
| 2 | 95821-08040 | BOLT, flange | 4 | |
| 3 | 95821-08055 | BOLT, flange | 1 | |
| 4 | 95701-08100 | NUT, flange | 1 | |
| 5 | 90105-14136 | BOLT, washer based | 1 | |
| 6 | 1E6-23441-00-98 | HOLDER, handle upper | 2 | low gloss black |
| 7 | 95821-08035 | BOLT, flange | 4 | |
| 8 | 93332-00023 | BEARING | 1 | |
| 9 | 93332-00008 | BEARING | 1 | |
| 10 | 1W1-23416-00 | COVER, ball race 2 | 1 | |
| 11 | 90179-25033 | NUT | 1 | |
| 12 | 1W2-23318-00 | HOLDER, cable 1 | 1 | |
| 13 | 98501-05018 | SCREW, Pan head | 1 | |
| 14 | 92901-05600 | WASHER, Plate | 1 | |
| 15 | 95301-05600 | NUT | 1 | |
| 16 | 3R4-23389-00 | GUIDE, cable | 1 | |

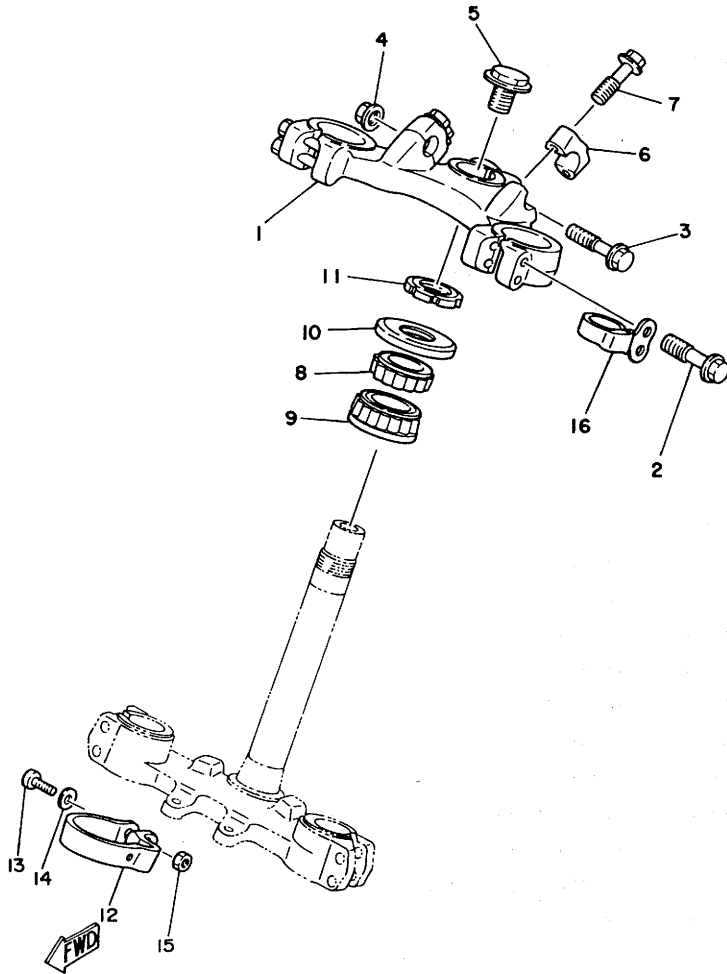
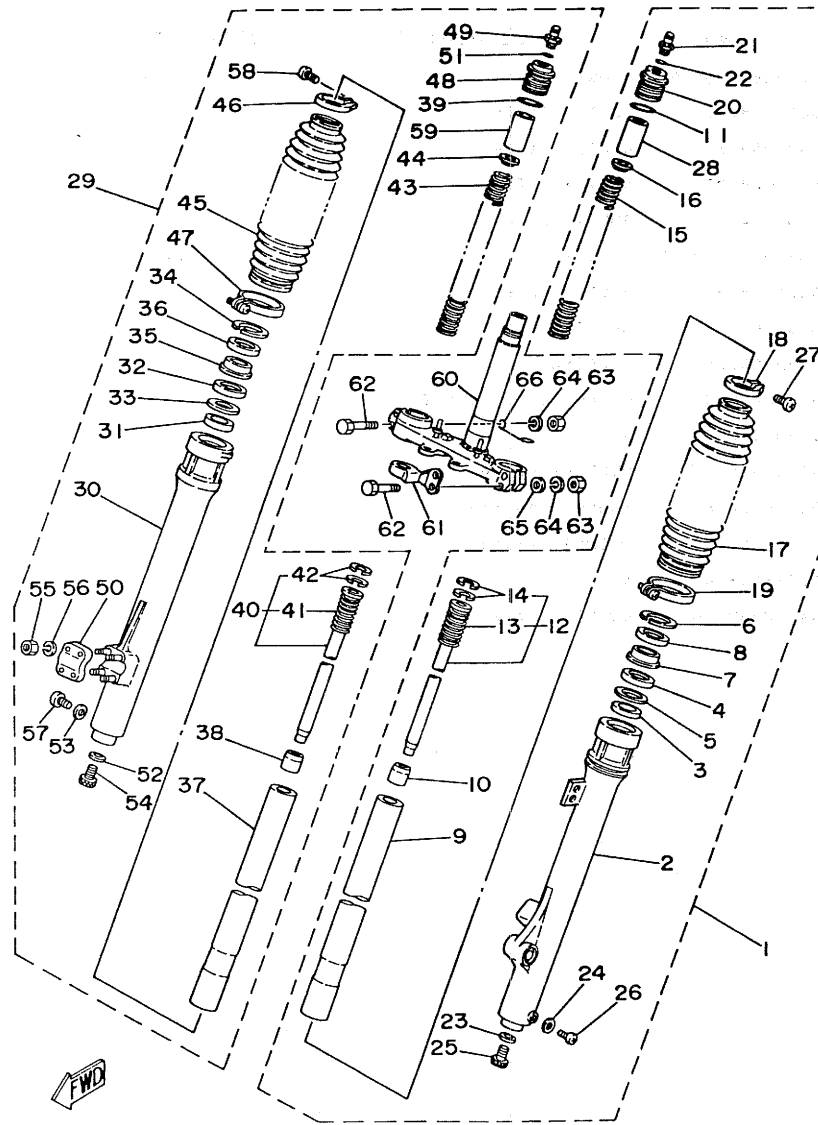
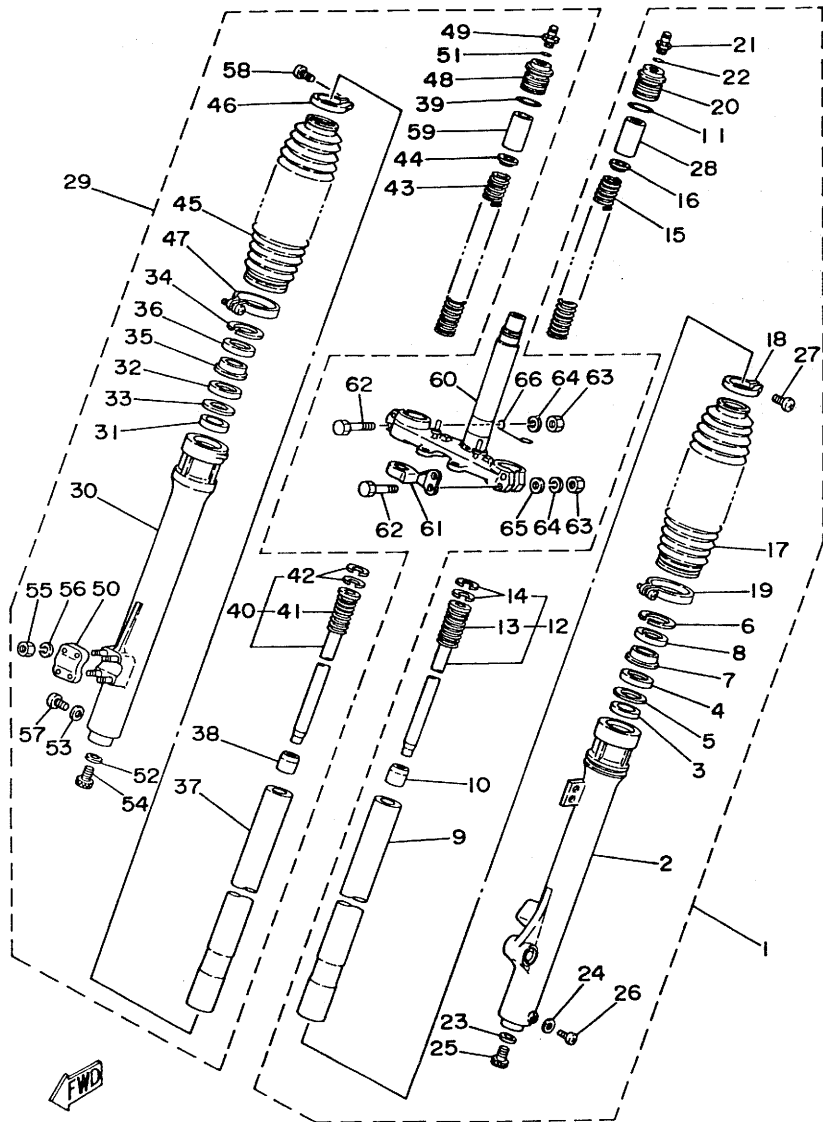


FIG. 20 FRONT FORK



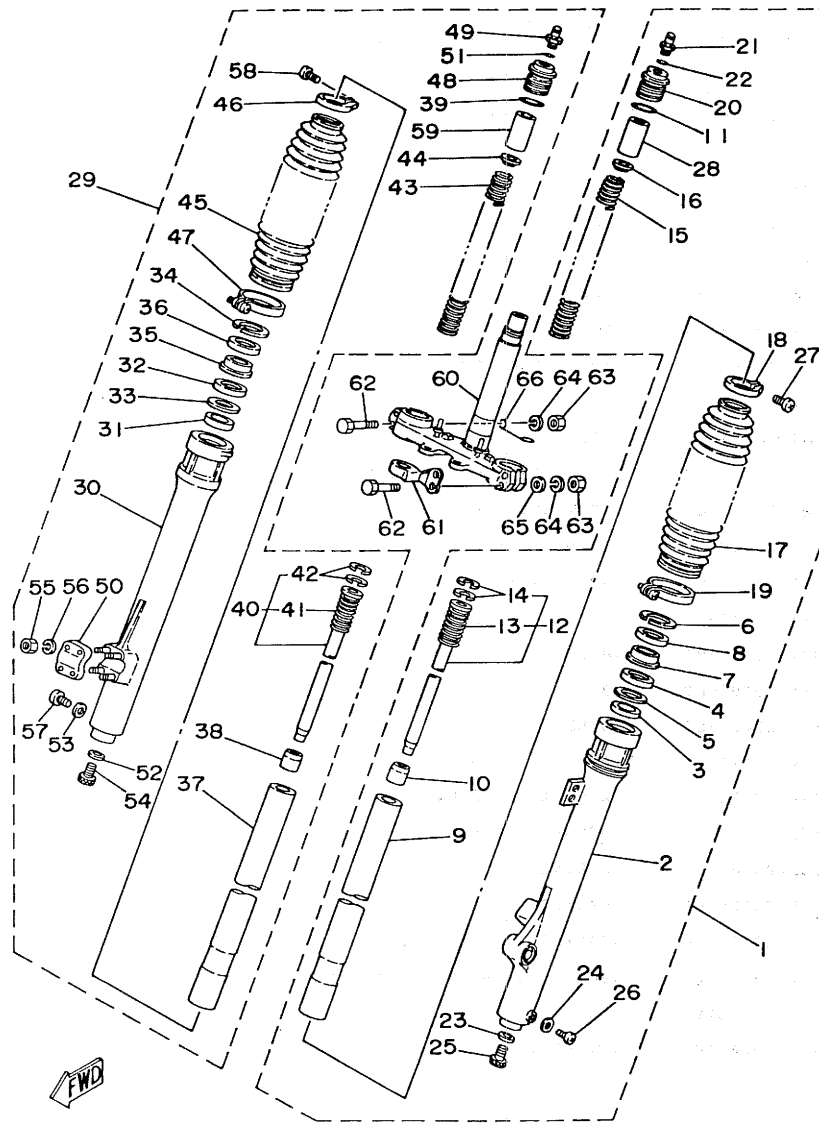
| REF. NO. | PART NO. | DESCRIPTION | Q'TY | REMARKS |
|----------|--------------|-----------------------------|------|---------|
| 1 | 4V5-23102-L1 | FRONT FORK ASSY (L.H) | 1 | |
| 2 | 4V5-23126-L0 | •TUBE, outer 1 | 1 | |
| 3 | 4V2-23125-L0 | •METAL, slide 1 | 1 | |
| 4 | 1W4-23145-L0 | •OIL SEAL | 1 | |
| 5 | 4V2-23146-L0 | •WASHER, oil seal | 1 | |
| 6 | 3R4-23153-00 | •RING, snap | 1 | |
| 7 | 3R4-23144-00 | •SEAL, dust | 1 | |
| 8 | 3R4-23148-00 | •COVER, dust seal | 1 | |
| 9 | 5X4-23110-L0 | •INNER TUBE COMP.1 | 1 | |
| 10 | 3R4-23173-L0 | •SPINDLE, taPer | 1 | |
| 11 | 1W4-23114-L0 | •GASKET | 1 | |
| 12 | 4V5-23170-L0 | •CYLINDER COMP., front fork | 1 | |
| 13 | 1W4-23151-L0 | ••SPRING, rebound | 1 | |
| 14 | 4V2-23157-L0 | ••RING, Piston | 2 | |
| 15 | 4V5-23141-L1 | •SPRING, front fork | 1 | |
| 16 | 1W4-23142-L0 | •SEAT, sPring upper | 1 | |
| 17 | 3R4-23191-M0 | •BOOT | 1 | |
| 18 | 1W4-23192-L0 | •BAND | 1 | |
| 19 | 1W4-23489-L0 | •BAND | 1 | |
| 20 | 5X4-23111-L0 | •BOLT, caP | 1 | |
| 21 | 4V4-23190-L0 | •AIR VALVE COMP. | 1 | |
| 22 | 3J2-23147-00 | •O-RING | 1 | |
| 23 | 509-23158-L0 | •GASKET | 1 | |
| 24 | 122-23129-00 | •GASKET, drain Plug | 1 | |
| 25 | 3R4-23181-L0 | •BOLT, hexaagon socket head | 1 | |
| 26 | 122-23119-01 | •PLUG, drain | 1 | |
| 27 | 4V2-23194-L0 | •SCREW, boot band | 1 | |
| 28 | 4V5-23118-L1 | •SPACER | 1 | |

FIG. 20 FRONT FORK



| REF. NO. | PART NO. | DESCRIPTION | Q'TY | REMARKS |
|----------|--------------|-----------------------------|------|---------|
| 29 | 4V5-23103-L1 | FRONT FORK ASSY (R.H) | 1 | |
| 30 | 4V5-23136-L0 | •TUBE, outer 2 | 1 | |
| 31 | 4V2-23125-L0 | •METAL, slide 1 | 1 | |
| 32 | 1W4-23145-L0 | •OIL SEAL | 1 | |
| 33 | 4V2-23146-L0 | •WASHER, oil seal | 1 | |
| 34 | 3R4-23153-00 | •RING, snaP | 1 | |
| 35 | 3R4-23144-00 | •SEAL, dust | 1 | |
| 36 | 3R4-23148-00 | •COVER, dust seal | 1 | |
| 37 | 5X4-23110-L0 | •INNER TUBE COMP.1 | 1 | |
| 38 | 3R4-23173-L0 | •SPINDLE, taPer | 1 | |
| 39 | 1W4-23114-L0 | •GASKET | 1 | |
| 40 | 4V5-23170-L0 | •CYLINDER COMP., front fork | 1 | |
| 41 | 1W4-23151-L0 | ••SPRING, rebound | 1 | |
| 42 | 4V2-23157-L0 | ••RING, Piston | 2 | |
| 43 | 4V5-23141-L1 | •SPRING, front fork | 1 | |
| 44 | 1W4-23142-L0 | •SEAT, sPring upper | 1 | |
| 45 | 3R4-23191-M0 | •BOOT | 1 | |
| 46 | 1W4-23192-L0 | •BAND | 1 | |
| 47 | 1W4-23489-L0 | •BAND | 1 | |
| 48 | 5X4-23111-L0 | •BOLT, caP | 1 | |
| 49 | 4V4-23190-L0 | •AIR VALVE COMP. | 1 | |
| 50 | 4V2-23167-L0 | •HOLDER, axle | 1 | |
| 51 | 3J2-23147-00 | •O-RING | 1 | |
| 52 | 509-23158-L0 | •GASKET | 1 | |
| 53 | 122-23129-00 | •GASKET, drain Plug | 1 | |
| 54 | 3R4-23181-L0 | •BOLT, hexaGon socket head | 1 | |
| 55 | 95311-06600 | •NUT | 4 | |
| 56 | 92901-06100 | •WASHER, sPring | 4 | |

FIG. 20 FRONT FORK

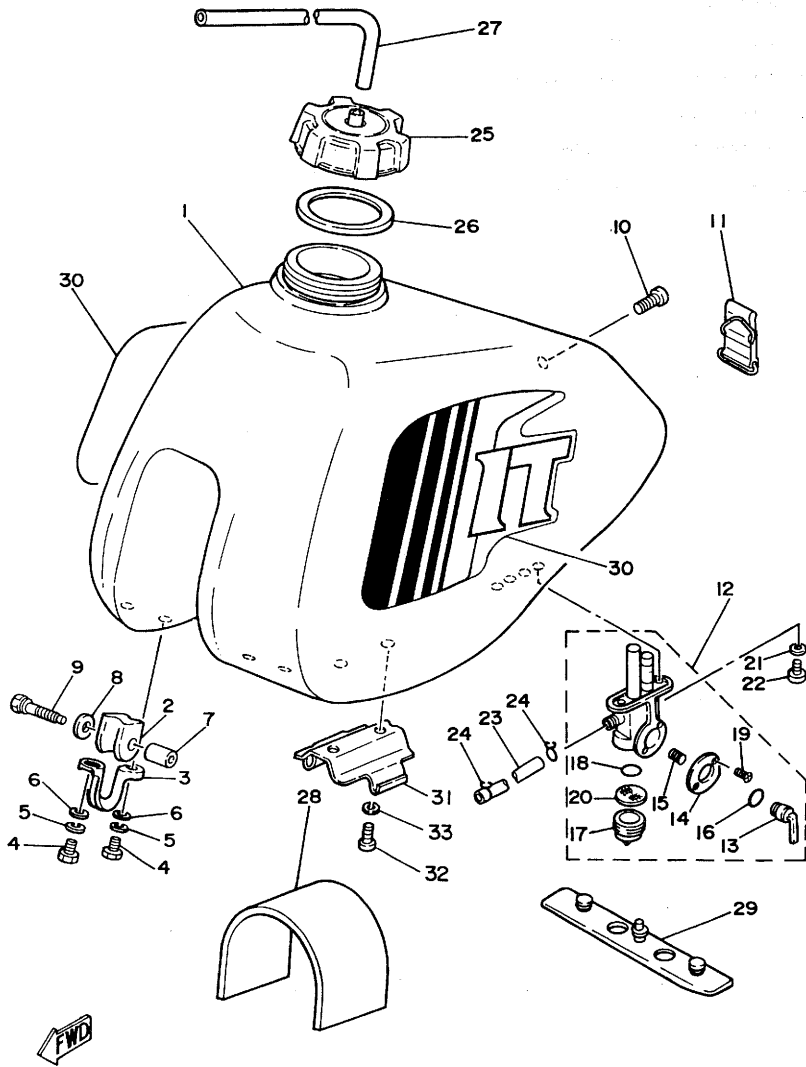


| REF. NO. | PART NO. | DESCRIPTION | Q'TY | REMARKS |
|----------|-----------------|---------------------|------|--------------|
| 57 | 122-23119-01 | •PLUG, drain | 1 | |
| 58 | 4V2-23194-L0 | •SCREW, boot band | 1 | |
| 59 | 4V5-23118-L1 | •SPACER | 1 | |
| 60 | 4V5-23340-L0-33 | UNDER BRACKET COMP. | 1 | yamaha black |
| 61 | 3R4-23389-00 | GUIDE, cable | 1 | |
| 62 | 90109-08397 | BOLT | 4 | |
| 63 | 95311-08600 | NUT | 4 | |
| 64 | 92901-08100 | WASHER, sPring | 4 | |
| 65 | 90201-08544 | WASHER, plate | 3 | |
| 66 | 4V5-23389-00 | GUIDE, cable | 1 | |

C15

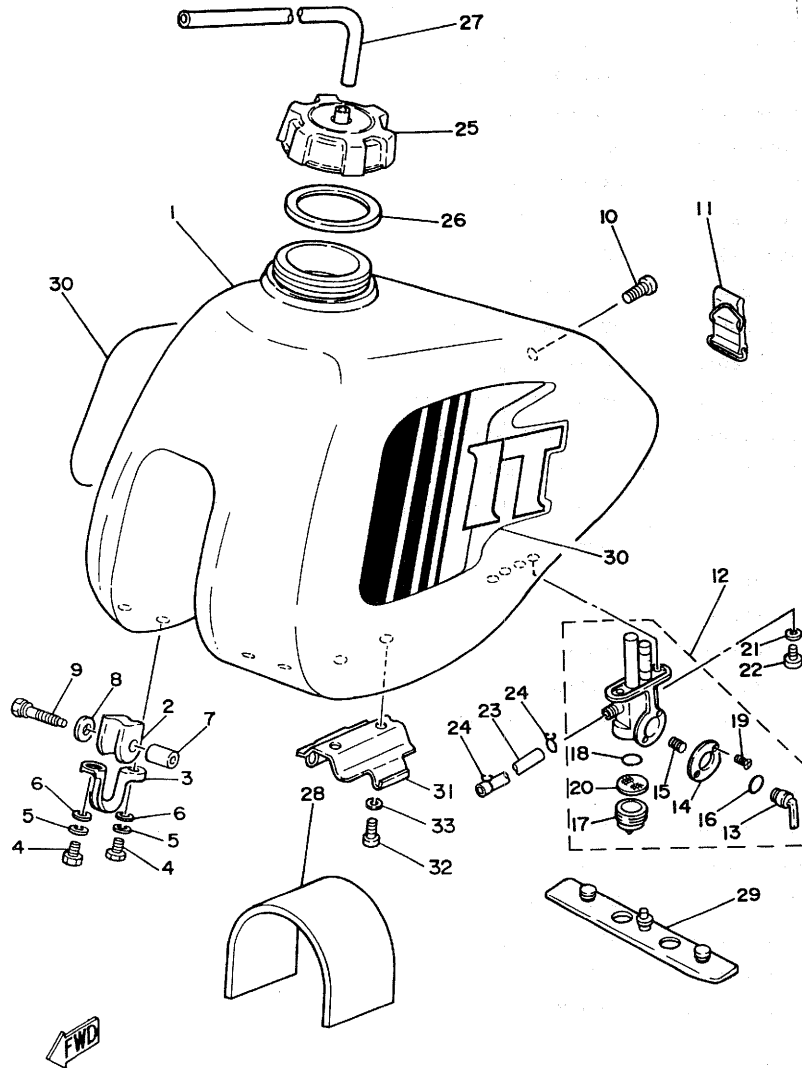
FIG. 21 FUEL TANK

| REF. NO. | PART NO. | DESCRIPTION | Q'TY | REMARKS |
|----------|--------------|-----------------------|------|----------|
| 1 | 4V5-24110-11 | FUEL TANK COMP. | 1 | sky blue |
| 2 | 1W1-24182-01 | DAMPER, locating 2 | 2 | |
| 3 | 1W1-24144-01 | HOLDER, damPer | 2 | |
| 4 | 97301-06012 | BOLT | 4 | |
| 5 | 92901-06100 | WASHER, sPring | 4 | |
| 6 | 92901-06600 | WASHER, Plate | 4 | |
| 7 | 90387-07393 | COLLAR | 2 | |
| 8 | 90201-06407 | WASHER, Plate | 2 | |
| 9 | 90119-06022 | BOLT, with washer | 2 | |
| 10 | 98902-06018 | SCREW, bind | 1 | |
| 11 | 3R3-24173-00 | BAND, tank fitting 1 | 1 | |
| 12 | 4V5-24500-00 | FUEL COCK ASSY 1 | 1 | |
| 13 | 4V5-24524-00 | •LEVER, cock | 1 | |
| 14 | 4V5-24525-00 | •PLATE, lever fitting | 1 | |
| 15 | 357-24529-10 | •SPRING | 1 | |
| 16 | 4X8-24534-00 | •SEAL, cock | 1 | |
| 17 | 4X8-24521-00 | •CUP, filter | 1 | |
| 18 | 4X8-24565-00 | •GASKET | 1 | |
| 19 | 4X8-24535-00 | •SCREW, lever fitting | 2 | |
| 20 | 4X8-24515-00 | •NET, filter 2 | 1 | |
| 21 | 90202-06010 | WASHER, Plate | 2 | |
| 22 | 90149-06011 | SCREW | 2 | |
| 23 | 90445-11152 | HOSE | 1 | |
| 24 | 90467-10008 | CLIP | 2 | |
| 25 | 3R9-24611-00 | BODY, caP | 1 | |
| 26 | 3R9-24612-00 | GASKET, caP | 1 | |
| 27 | 90445-09117 | HOSE | 1 | |
| 28 | 1W1-24183-00 | DAMPER, locating 3 | 1 | |



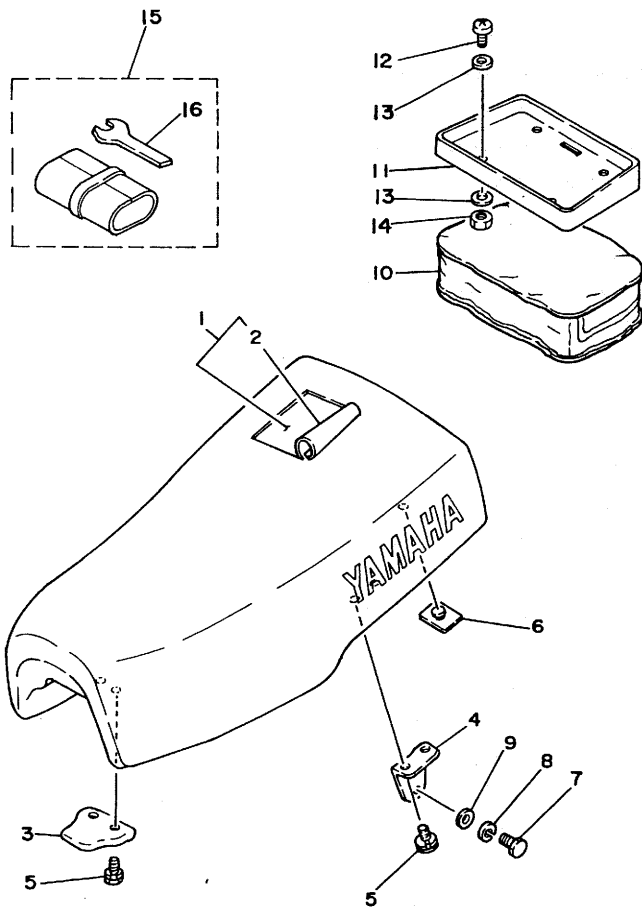
D2

FIG. 21 FUEL TANK



| REF. NO. | PART NO. | DESCRIPTION | Q'TY | REMARKS |
|----------|--------------|--------------------|------|---------|
| 29 | 3R4-24181-00 | DAMPER, locatin& 1 | 1 | |
| 30 | 4V5-24240-19 | GRAPHIC SET | 1 | |
| 31 | 4V3-14493-00 | STAY 1 | 1 | |
| 32 | 92501-06010 | SCREW, Pan head | 2 | |
| 33 | 92901-06100 | WASHER, sPrin& | 2 | |

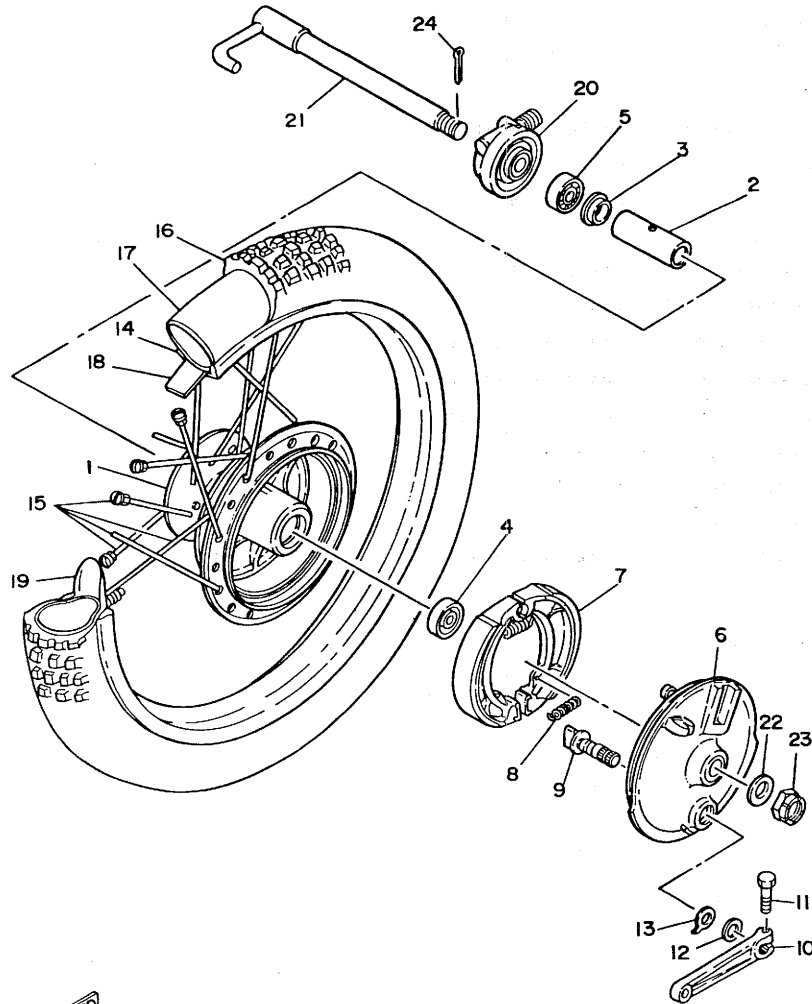
FIG. 22 SEAT



| REF. NO. | PART NO. | DESCRIPTION | Q'TY | REMARKS |
|----------|--------------|--------------------------|------|---------|
| 1 | 4V5-W2473-10 | SEMI-DOUBLE SEAT ASSY | 1 | |
| 2 | 4V5-24771-10 | .COVER, semi-double seat | 1 | |
| 3 | 1M1-24748-00 | BRACKET, seat | 1 | |
| 4 | 1W1-24738-00 | BRACKET, seat | 2 | |
| 5 | 90101-06304 | BOLT | 6 | |
| 6 | 509-24724-00 | DAMPER, seat | 2 | |
| 7 | 97301-06016 | BOLT | 2 | |
| 8 | 92902-06100 | WASHER, sPring | 2 | |
| 9 | 92902-06600 | WASHER | 2 | |
| 10 | 4V5-24850-00 | CARRIER BOX ASSY | 1 | |
| 11 | 4V5-24833-00 | BRACKET, carrier 2 | 1 | |
| 12 | 92501-06020 | SCREW, Pan head | 4 | |
| 13 | 90201-06067 | WASHER, Plate | 8 | |
| 14 | 95602-06100 | NUT, u | 4 | |
| 15 | 4V5-28100-10 | TOOL KIT | 1 | |
| 16 | 1W1-28135-10 | .SPANNER, sPecial | 1 | |



FIG. 23 FRONT WHEEL



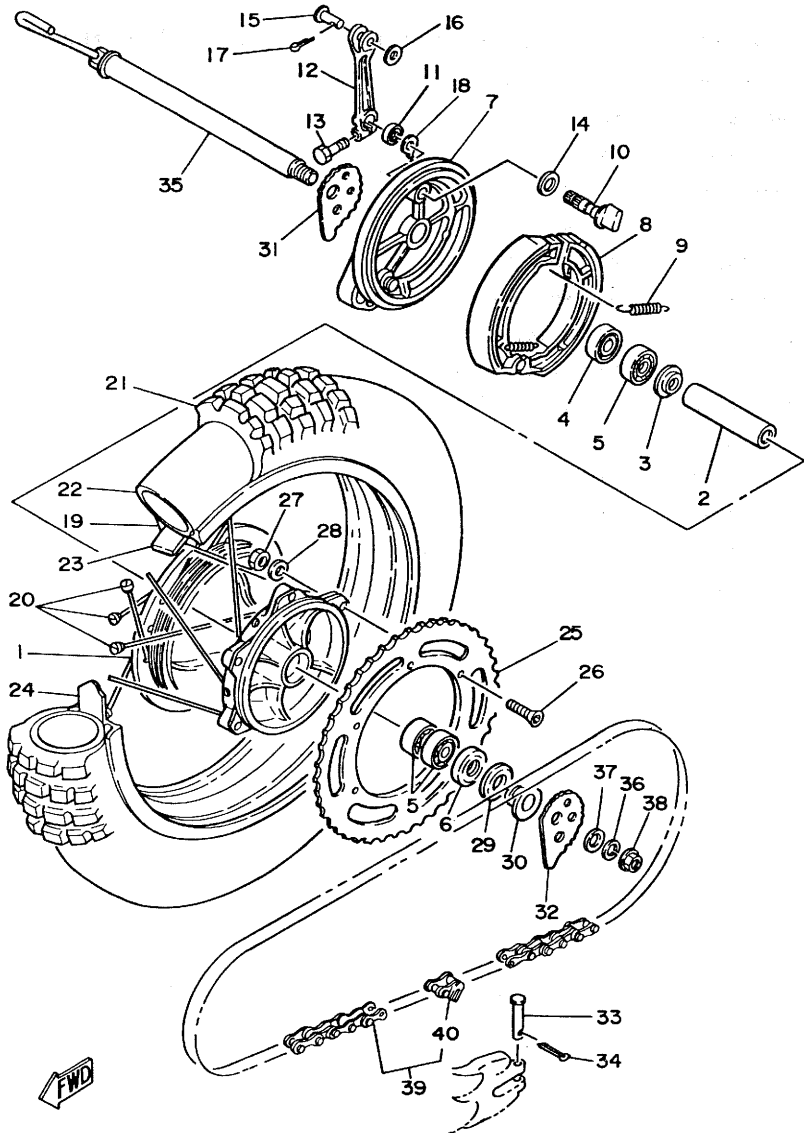
| REF. NO. | PART NO. | DESCRIPTION | Q'TY | REMARKS |
|----------|-----------------|---------------------|------|-----------------|
| 1 | 1K7-25111-11-98 | HUB, front | 1 | low gloss black |
| 2 | 90560-15116 | SPACER | 1 | |
| 3 | 146-25116-00 | FLANGE, sPacer 2 | 1 | |
| 4 | 93306-20203 | BEARING (B6202RS) | 1 | |
| 5 | 93306-20205 | BEARING (B6202) | 1 | |
| 6 | 1W1-25121-02-98 | PLATE, brake shoe | 1 | low gloss black |
| 7 | 322-25130-00 | BRAKE SHOE COMP. | 2 | |
| 8 | 90506-16036 | SPRING, tension | 2 | |
| 9 | 5L4-25151-00 | CAMSHAFT | 1 | |
| 10 | 322-25155-00 | LEVER, camshaft 1 | 1 | |
| 11 | 90101-06291 | BOLT | 1 | |
| 12 | 137-25159-00 | SEAL, camshaft | 1 | |
| 13 | 4N0-2513A-00 | PLATE, indicator | 1 | |
| 14 | 94416-21234 | RIM (1.60-21) | 1 | |
| 15 | 2W6-25104-02 | SPOKE SET, front | 1 | |
| 16 | 94130-21654 | TIRE (3.00-21) | 1 | |
| 17 | 94230-21126 | TUBE (3.00-21) | 1 | inoue |
| 18 | 94330-21088 | BAND, rim (3.00-21) | 1 | inoue |
| 19 | 4V5-25194-00 | SPACER, bead | 1 | |
| 20 | 1W2-25190-00 | GEAR UNIT ASSY | 1 | |
| 21 | 4V5-25181-00 | AXLE, wheel | 1 | |
| 22 | 90201-15785 | WASHER, Plate | 1 | |
| 23 | 90171-14020 | NUT, castle | 1 | |
| 24 | 91401-30030 | PIN, cotter | 1 | |

FWD

D5

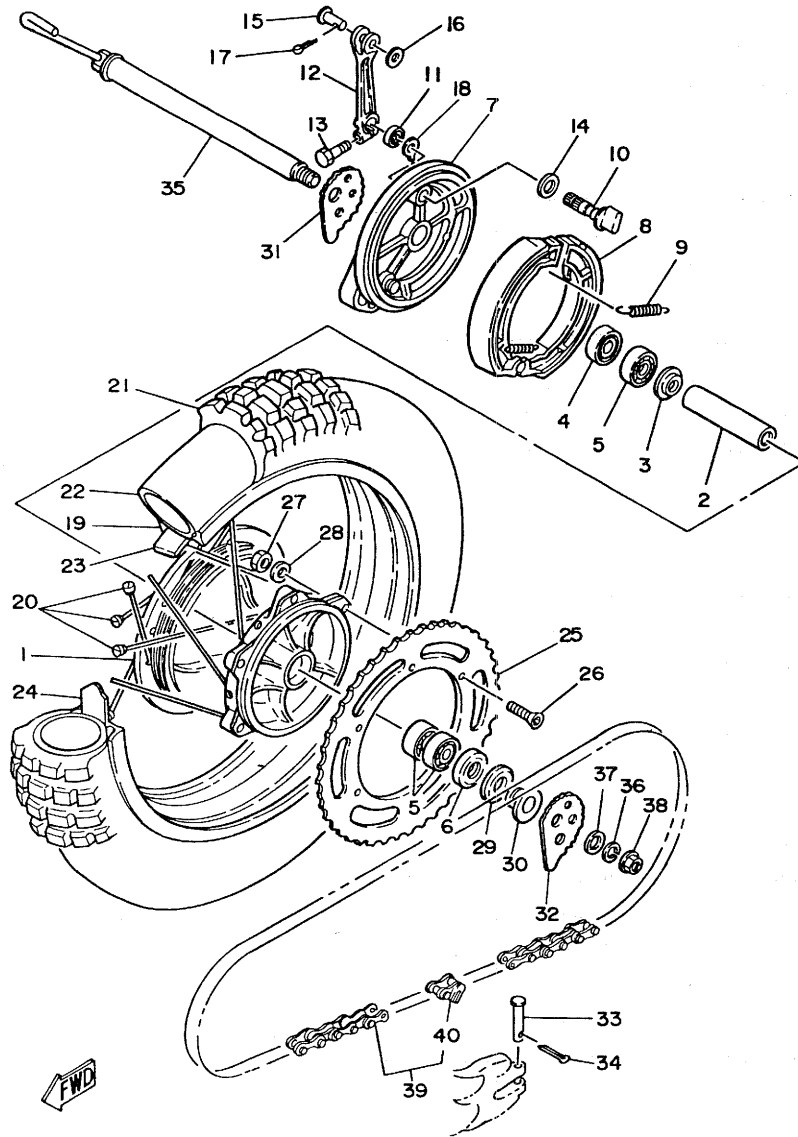
FIG. 24 REAR WHEEL

| REF. NO. | PART NO. | DESCRIPTION | Q'TY | REMARKS |
|----------|-----------------|------------------------|------|-----------------|
| 1 | 4V4-25311-00-98 | HUB, rear | 1 | low gloss black |
| 2 | 4V4-25317-00 | SPACER, bearing | 1 | |
| 3 | 4V4-25315-00 | FLANGE, sPacer | 1 | |
| 4 | 93306-00418 | BEARING | 1 | |
| 5 | 93306-00406 | BEARING (B6004Z) | 3 | |
| 6 | 93102-28022 | OIL SEAL | 1 | |
| 7 | 4V5-25321-01-98 | PLATE, brake shoe | 1 | low gloss black |
| 8 | 4V4-25330-00 | BRAKE SHOE COMP. | 2 | |
| 9 | 90507-20002 | SPRING, tension | 2 | |
| 10 | 5L4-25351-00 | CAMSHAFT | 1 | |
| 11 | 148-25359-00 | SEAL, camshaft | 1 | |
| 12 | 4V5-25355-00 | LEVER, camshaft | 1 | |
| 13 | 90101-06291 | BOLT | 1 | |
| 14 | 148-25353-00 | SHIM, camshaft | 1 | |
| 15 | 1W2-27237-00 | PIN, clevis | 1 | |
| 16 | 90201-12631 | WASHER, Plate | 1 | |
| 17 | 91401-25025 | PIN, cotter | 1 | |
| 18 | 3Y6-2533A-01 | PLATE, indicator | 1 | |
| 19 | 94425-18280 | RIM (2.50-18) | 1 | |
| 20 | 4V4-25304-00 | SPOKE SET, rear | 1 | |
| 21 | 94151-18684 | TIRE (5.10-18) | 1 | |
| 22 | 94245-18125 | TUBE (4.50-18) | 1 | |
| 23 | 94345-18081 | BAND, rim (4.50-18) | 1 | |
| 24 | 2X5-25394-00 | SPACER, bead | 2 | |
| 25 | 3R6-25450-10-33 | SPROCKET, driven (50T) | 1 | UR STD |
| | 3R6-25446-10-33 | SPROCKET, driven (46T) | 1 | yamaha black |
| | 3R6-25448-10-33 | SPROCKET, driven (48T) | 1 | AP yamaha black |
| | 3R6-25452-10-33 | SPROCKET, driven (52T) | 1 | AP yamaha black |



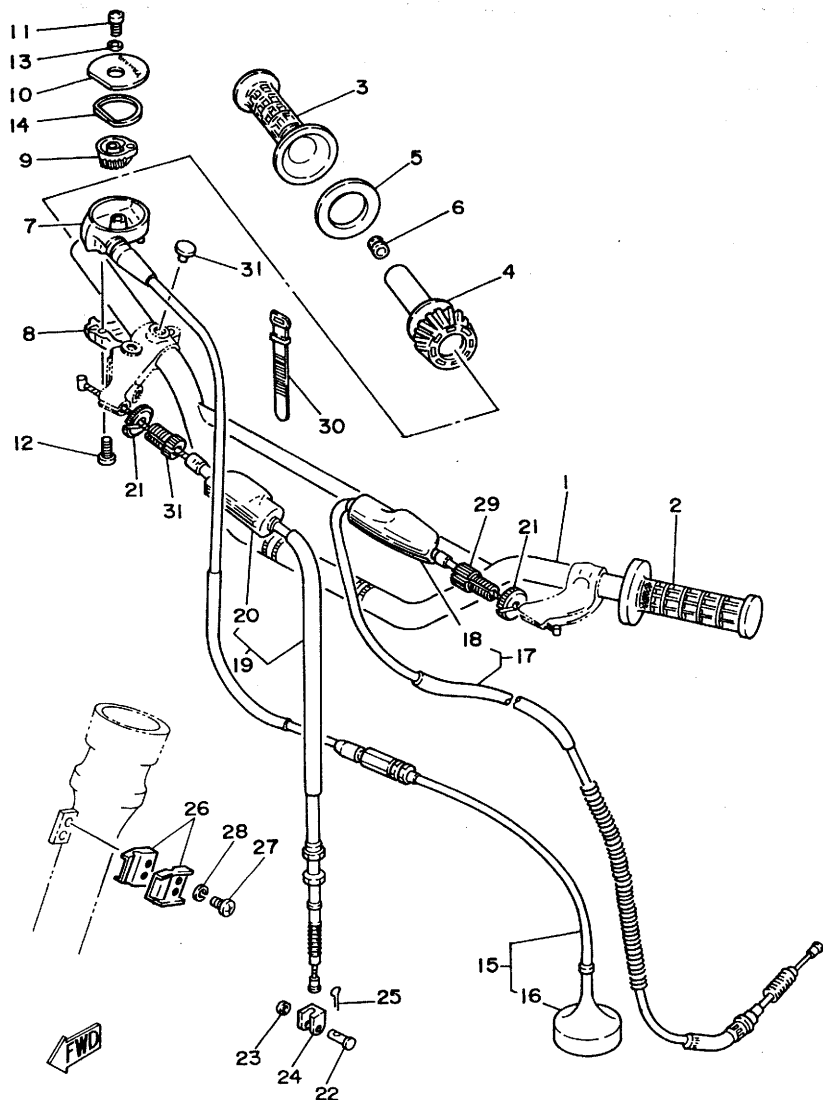
D6

FIG. 24 REAR WHEEL



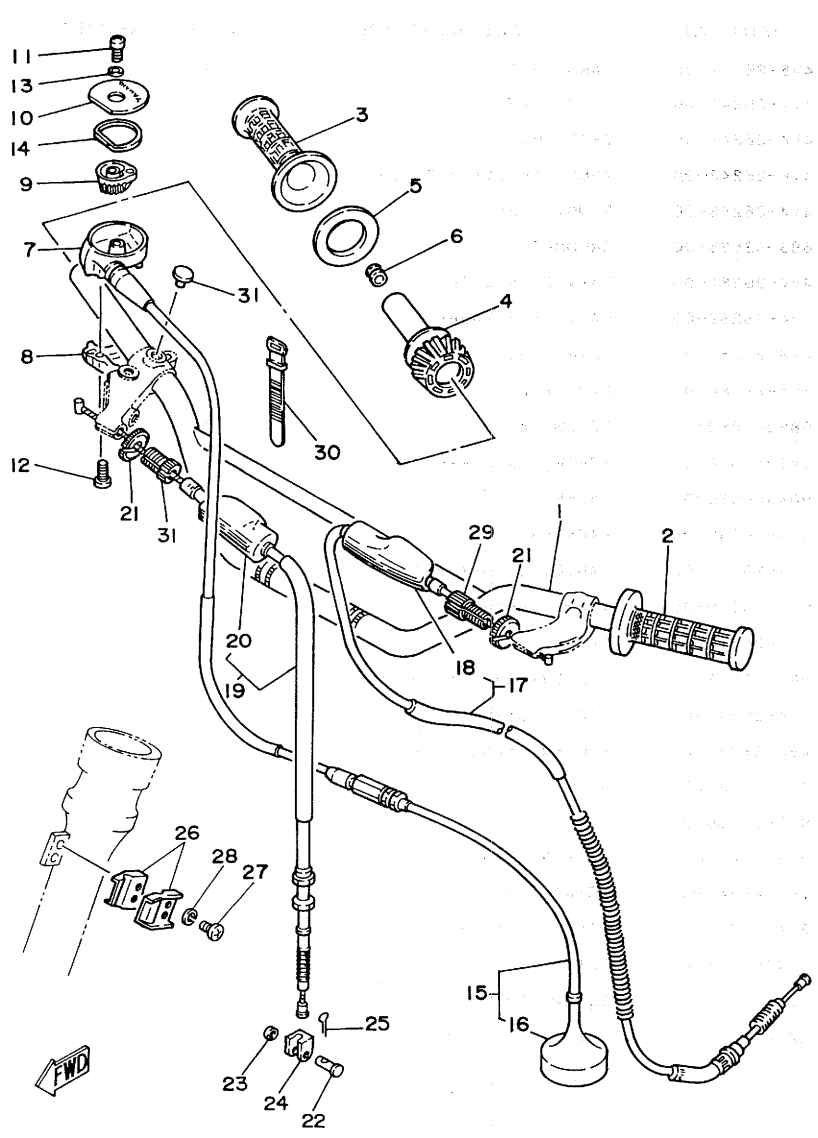
| REF. NO. | PART NO. | DESCRIPTION | Q'TY | REMARKS |
|----------|--------------|-----------------------------|------|---------|
| 26 | 90110-08038 | BOLT, hexagon socket head | 6 | |
| 27 | 90185-08089 | NUT, self-locking | 6 | |
| 28 | 90201-081A6 | WASHER, Plate | 6 | |
| 29 | 4V4-25367-00 | COVER, hub dust | 1 | |
| 30 | 90387-201E6 | COLLAR | 1 | |
| 31 | 4V5-25389-00 | PULLER, chain 2 | 1 | |
| 32 | 4V5-25388-00 | PULLER, chain 1 | 1 | |
| 33 | 91701-05055 | PIN, clevis | 2 | |
| 34 | 91401-16012 | PIN, cotter | 2 | |
| 35 | 4V5-25381-00 | AXLE, wheel | 1 | |
| 36 | 92901-18100 | WASHER, spring | 1 | |
| 37 | 92901-20600 | WASHER | 1 | |
| 38 | 90179-18332 | NUT | 1 | |
| 39 | 94580-40108 | CHAIN, drive (DID520V 108L) | 1 | |
| 40 | 94680-40011 | JOINT, chain | 1 | |

FIG. 25 HANDLEBAR•CABLE



| REF. NO. | PART NO. | DESCRIPTION | Q'TY | REMARKS |
|----------|--------------|------------------------|------|---------|
| 1 | 4V5-26111-00 | HANDLEBAR | 1 | |
| 2 | 4V4-26241-00 | GRIP (L•H) | 1 | |
| 3 | 4V4-26242-00 | GRIP (R•H) | 1 | |
| 4 | 4V6-26243-00 | TUBE, throttle Guide | 1 | |
| 5 | 4V4-26249-00 | RING, leaf | 1 | |
| 6 | 688-82535-00 | GROMMET | 1 | |
| 7 | 4V4-26281-00 | CAP, grip upper | 1 | |
| 8 | 4V4-26282-00 | CAP, grip lower | 1 | |
| 9 | 4V6-2628E-00 | GEAR, bevel | 1 | |
| 10 | 4V4-2628F-00 | CAP, gear | 1 | |
| 11 | 98906-05010 | SCREW, bind | 1 | |
| 12 | 98501-05016 | SCREW, Pan head | 2 | |
| 13 | 90430-05009 | GASKET | 1 | |
| 14 | 4V4-2628G-00 | PACKING | 1 | |
| 15 | 4V4-26311-00 | CABLE, throttle 1 | 1 | |
| 16 | 510-26329-00 | •CAP, rubber | 1 | |
| 17 | 4V4-26335-00 | CABLE, clutch | 1 | |
| 18 | 382-26372-01 | •COVER, handle lever 1 | 1 | |
| 19 | 5L4-26341-00 | CABLE, brake | 1 | |
| 20 | 498-26372-00 | •COVER, handle lever 1 | 1 | |
| 21 | 90179-08148 | NUT | 2 | |
| 22 | 90240-08012 | PIN, clevis | 1 | |
| 23 | 90201-08083 | WASHER, Plate | 1 | |
| 24 | 156-26347-00 | JOINT, cable | 1 | |
| 25 | 91401-20015 | PIN, cotter | 1 | |
| 26 | 90465-14192 | CLAMP | 2 | |
| 27 | 92501-06015 | SCREW, Pan head | 2 | |
| 28 | 92901-06100 | WASHER, sPring | 2 | |

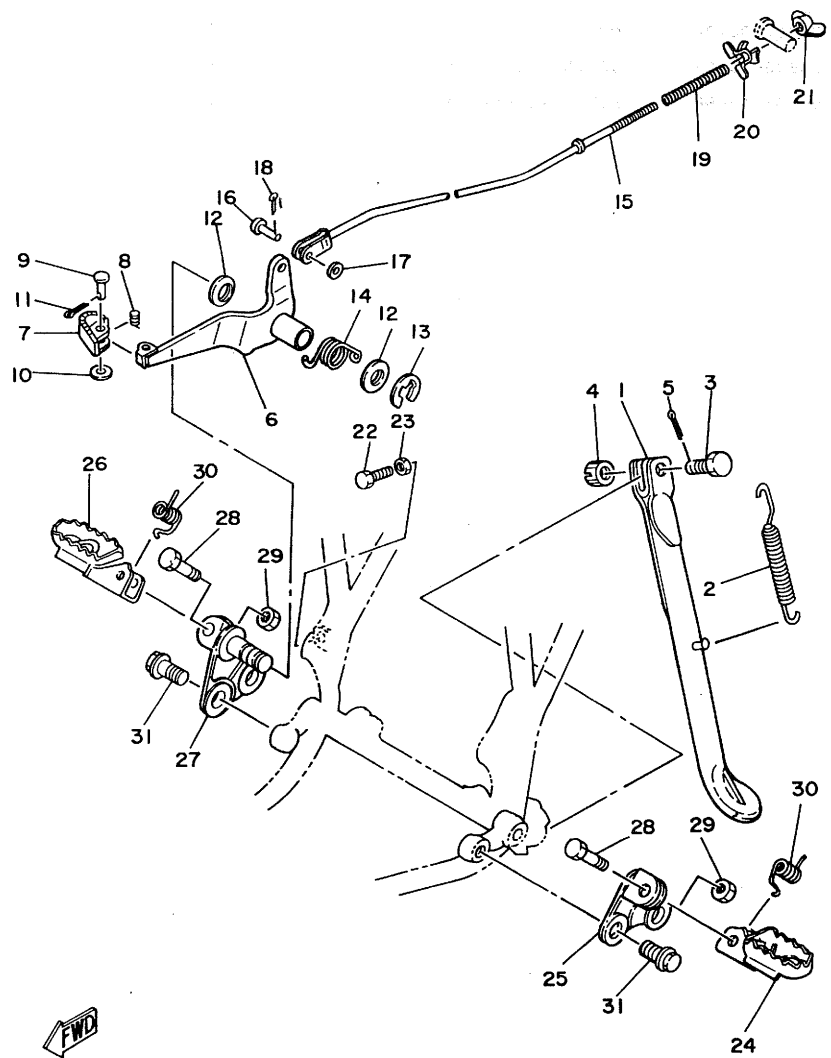
FIG. 25 HANDLEBAR CABLE



| REF. NO. | PART NO. | DESCRIPTION | Q'TY | REMARKS |
|----------|--------------|-------------------|------|---------|
| 29 | 90123-08046 | BOLT | 2 | |
| 30 | 437-83936-10 | BAND, switch cord | 1 | |
| 31 | 4J0-26199-00 | PLUG, blind | 1 | |

D9

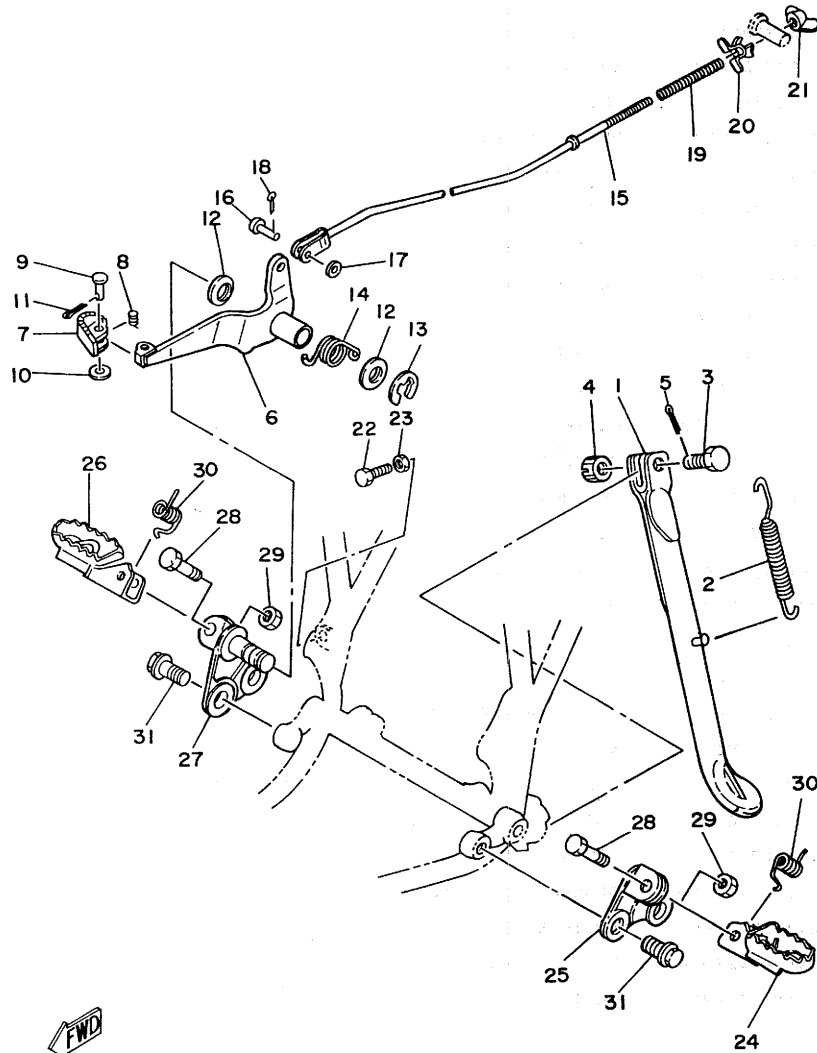
FIG. 26 STAND•FOOTREST



| REF. NO. | PART NO. | DESCRIPTION | Q'TY | REMARKS |
|----------|-----------------|---------------------|------|--------------|
| 1 | 4V5-27311-01-33 | STAND, side | 1 | yamaha black |
| 2 | 90507-29008 | SPRING, tension | 1 | |
| 3 | 90102-10006 | BOLT, with hole | 1 | |
| 4 | 95302-10900 | NUT, slotted | 1 | |
| 5 | 91401-20025 | PIN, cotter | 1 | |
| 6 | 5L4-27211-00 | PEDAL, brake | 1 | |
| 7 | 3R8-27242-00 | PEDAL, brake | 1 | |
| 8 | 90508-14429 | SPRING, torsion | 1 | |
| 9 | 91701-06028 | PIN, clevis | 1 | |
| 10 | 92901-06600 | WASHER, Plate | 1 | |
| 11 | 91401-20015 | PIN, cotter | 1 | |
| 12 | 4V5-27286-00 | COVER, dust | 2 | |
| 13 | 93430-10015 | CIRCLIP | 1 | |
| 14 | 90508-32478 | SPRING, torsion | 1 | |
| 15 | 2X4-27231-01 | ROD, brake | 1 | |
| 16 | 90240-06040 | PIN, clevis | 1 | |
| 17 | 92901-06200 | WASHER, Plain | 1 | |
| 18 | 91401-20015 | PIN, cotter | 1 | |
| 19 | 90501-10245 | SPRING, compression | 1 | |
| 20 | 1W2-27239-00 | SEAT, spring | 1 | |
| 21 | 90175-06013 | NUT, wing | 1 | |
| 22 | 97301-06020 | BOLT | 1 | |
| 23 | 95301-06700 | NUT | 1 | |
| 24 | 4V4-27411-00 | FOOTREST 1 | 1 | |
| 25 | 4V5-27412-00 | BRACKET, footrest 1 | 1 | |
| 26 | 4V4-27421-00 | FOOTREST 2 | 1 | |
| 27 | 4V5-27422-00 | BRACKET, footrest 2 | 1 | |
| 28 | 90101-08428 | BOLT | 2 | |

D10

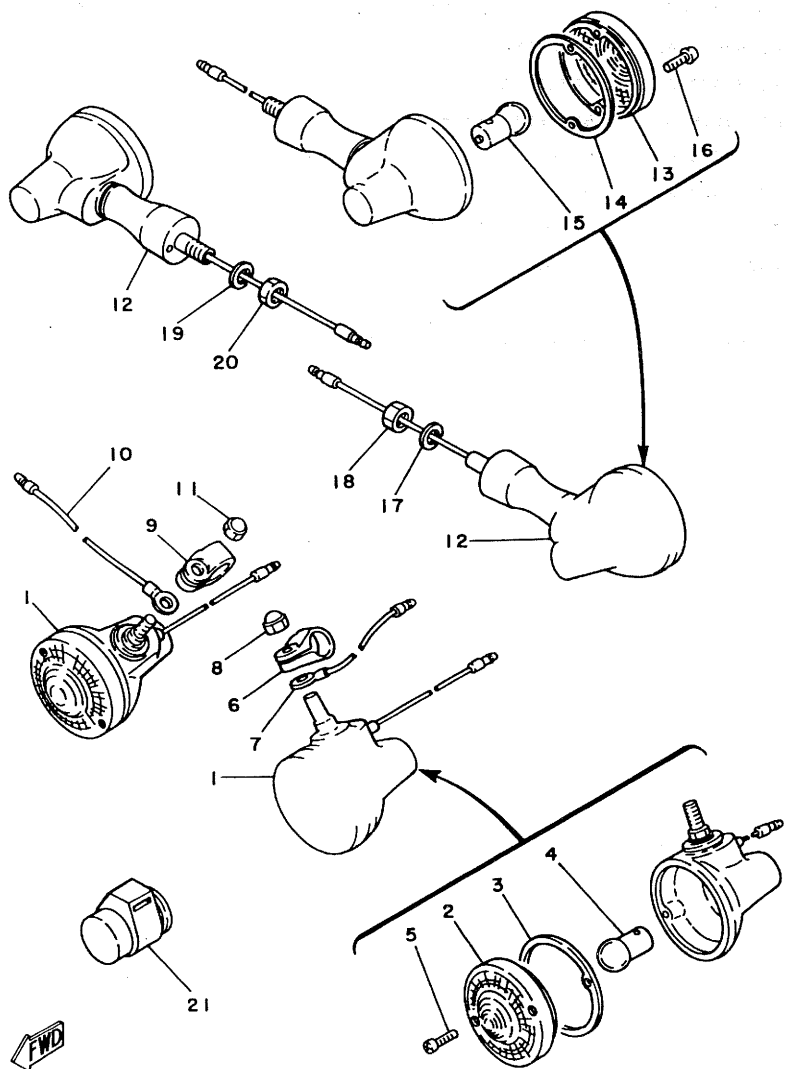
FIG. 26 STAND-FOOTREST



| REF. NO. | PART NO. | DESCRIPTION | Q'TY | REMARKS |
|----------|-------------|--------------------|------|---------|
| 29 | 95601-08100 | NUT, u | 2 | |
| 30 | 90508-20023 | SPRING, torsion | 2 | |
| 31 | 90105-12096 | BOLT, washer based | 4 | |

D11

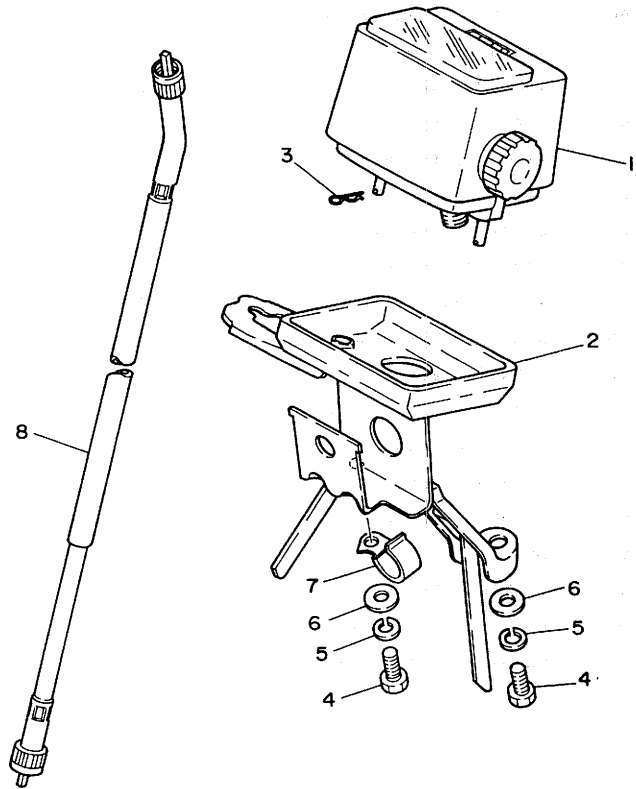
FIG. 27 FLASHER LIGHT



| REF. NO. | PART NO. | DESCRIPTION | Q'TY | REMARKS |
|----------|--------------|----------------------------|------|---------|
| 1 | 3W1-83310-00 | FRONT FLASHER LIGHT ASSY 1 | 2 | |
| 2 | 341-83312-70 | •LENS, flasher | 1 | |
| 3 | 1M1-83313-60 | •GASKET, flasher lens | 1 | |
| 4 | 152-83311-10 | •BULB (6V-10W) | 1 | |
| 5 | 97701-30520 | •SCREW, Panhead tapping | 2 | |
| 6 | 1M1-83318-00 | STAY, flasher 1 | 1 | |
| 7 | 1J7-83354-00 | WIRE, earth lead 1 | 1 | |
| 8 | 95303-08800 | NUT, crown | 1 | |
| 9 | 1M1-83318-00 | STAY, flasher 1 | 1 | |
| 10 | 1J7-83354-00 | WIRE, earth lead 1 | 1 | |
| 11 | 95303-08800 | NUT, crown | 1 | |
| 12 | 3W1-83330-00 | REAR FLASHER LIGHT ASSY 1 | 2 | |
| 13 | 341-83312-70 | •LENS, flasher | 1 | |
| 14 | 1M1-83313-60 | •GASKET, flasher lens | 1 | |
| 15 | 152-83311-10 | •BULB (6V-10W) | 1 | |
| 16 | 97701-30520 | •SCREW, Panhead tapping | 2 | |
| 17 | 92901-10100 | WASHER, sPring | 1 | |
| 18 | 95301-10600 | NUT | 1 | |
| 19 | 92901-10100 | WASHER, sPring | 1 | |
| 20 | 95301-10600 | NUT | 1 | |
| 21 | 3E1-83350-11 | FLASHER RELAY ASSY | 1 | |

FIG. 28 METER

| REF. NO. | PART NO. | DESCRIPTION | Q'TY | REMARKS |
|----------|--------------|-----------------------|------|-----------|
| 1 | 3R8-83570-F0 | SPEEDMETER ASSY | 1 | UR km/h |
| | 3R8-83570-60 | SPEEDMETER ASSY | 1 | UR mile/h |
| 2 | 5L4-83519-00 | BRACKET, meter | 1 | |
| 3 | 437-83525-00 | CLIP | 2 | |
| 4 | 97321-06012 | BOLT | 2 | |
| 5 | 92901-06100 | WASHER, sPrin8 | 2 | |
| 6 | 92901-06600 | WASHER, Plate | 2 | |
| 7 | 90462-08078 | CLAMP | 1 | |
| 8 | 4V5-83550-00 | SPEEDMETER CABLE ASSY | 1 | |



FWD

D13

FIG. 29 HEADLIGHT

| REF. NO. | PART NO. | DESCRIPTION | Q'TY | REMARKS |
|----------|--------------|------------------------|------|----------|
| 1 | 4V5-84110-00 | HEADLIGHT UNIT ASSY | 1 | |
| 2 | 4G2-84114-00 | •BULB, headlight | 1 | |
| 3 | 4V5-84140-00 | •SOCKET CORD ASSY | 1 | |
| 4 | 4V5-84130-10 | BODY ASSY, headlight | 1 | sky blue |
| 5 | 4V5-84132-00 | SPRING, screw | 1 | |
| 6 | 849-84724-00 | SCREW, lens fitting | 1 | |
| 7 | 92901-04600 | WASHER, Plate | 2 | |
| 8 | 4V5-84134-00 | NUT, adjust | 1 | |
| 9 | 4V5-84143-00 | DAMPER, headlight stay | 1 | |
| 10 | 90480-12053 | GROMMET | 2 | |
| 11 | 4V5-83592-00 | DAMPER | 1 | |
| 12 | 4V5-84141-00 | EMBLEM, headlight | 1 | |

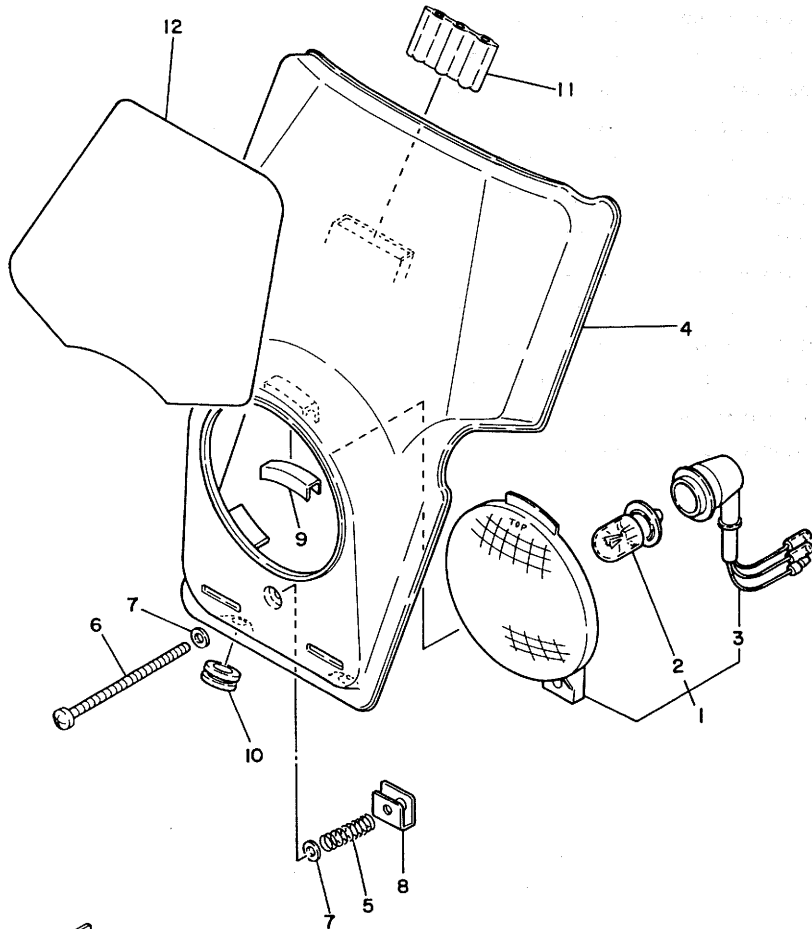
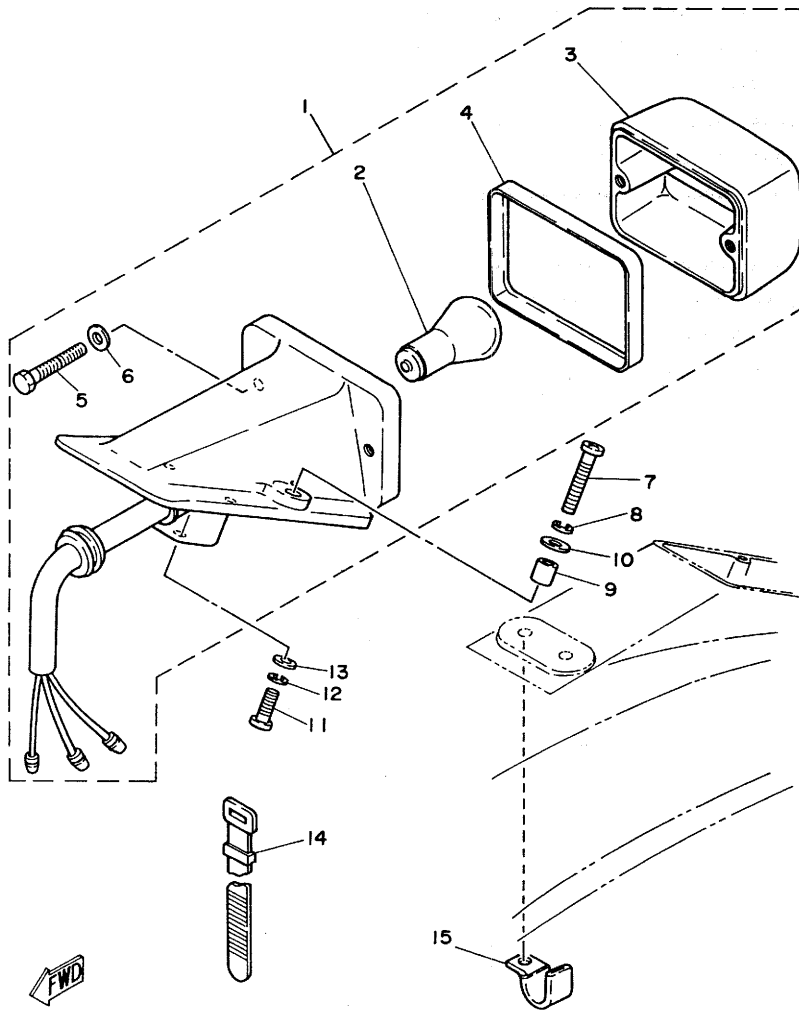


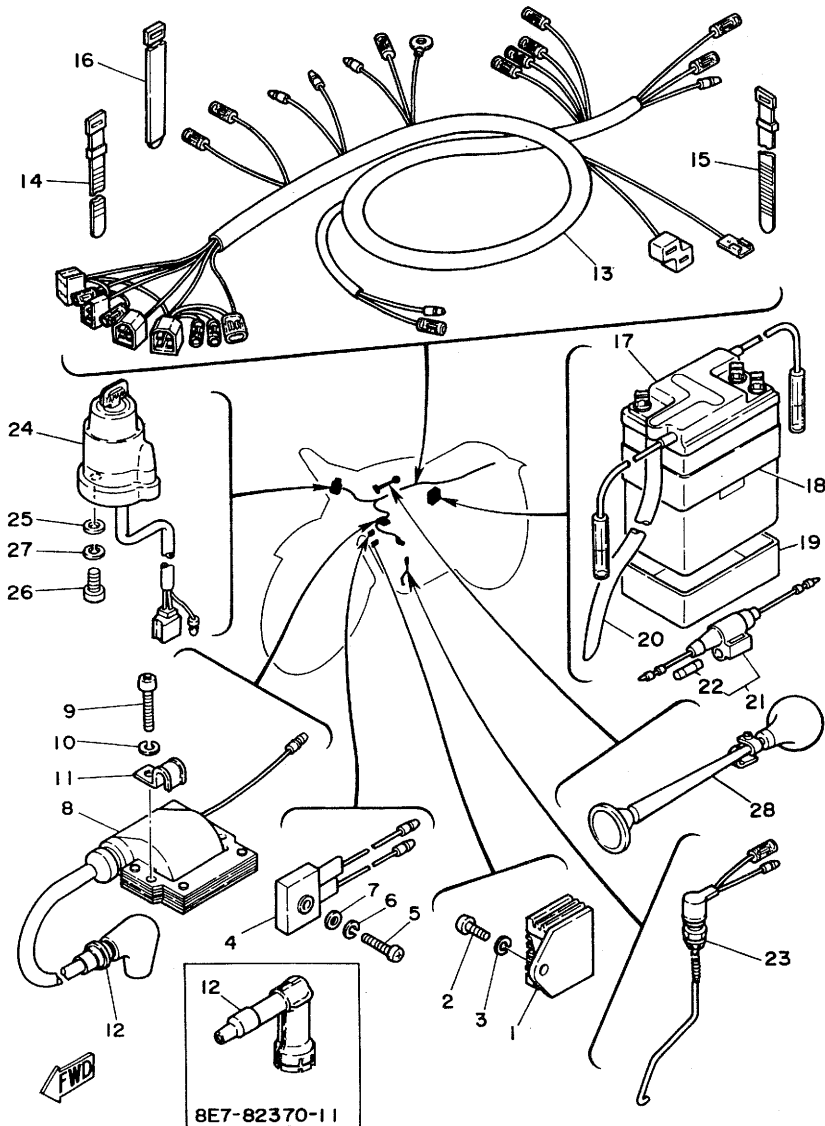
FIG. 30 TAILLIGHT



| REF. NO. | PART NO. | DESCRIPTION | Q'TY | REMARKS |
|----------|--------------|-------------------|------|---------|
| 1 | 5L4-84500-00 | TAILLIGHT ASSY | 1 | |
| 2 | 122-84514-00 | •BULB (6V-10/3W) | 1 | |
| 3 | 434-84521-69 | •LENS, taillight | 1 | |
| 4 | 434-84515-61 | •RIM, taillight | 1 | |
| 5 | 434-84552-62 | •BOLT, fitting | 2 | |
| 6 | 434-84522-62 | •WASHER | 2 | |
| 7 | 98506-04025 | SCREW, Pan head | 2 | |
| 8 | 92906-04100 | WASHER, sPring | 2 | |
| 9 | 90387-04007 | COLLAR | 2 | |
| 10 | 434-84522-62 | WASHER | 2 | |
| 11 | 92501-06012 | SCREW, Pan head | 1 | |
| 12 | 92901-06100 | WASHER, sPring | 1 | |
| 13 | 92901-06200 | WASHER, Plain | 1 | |
| 14 | 437-83936-00 | BAND, switch cord | 2 | |
| 15 | 90462-05005 | CLAMP | 1 | |

D15

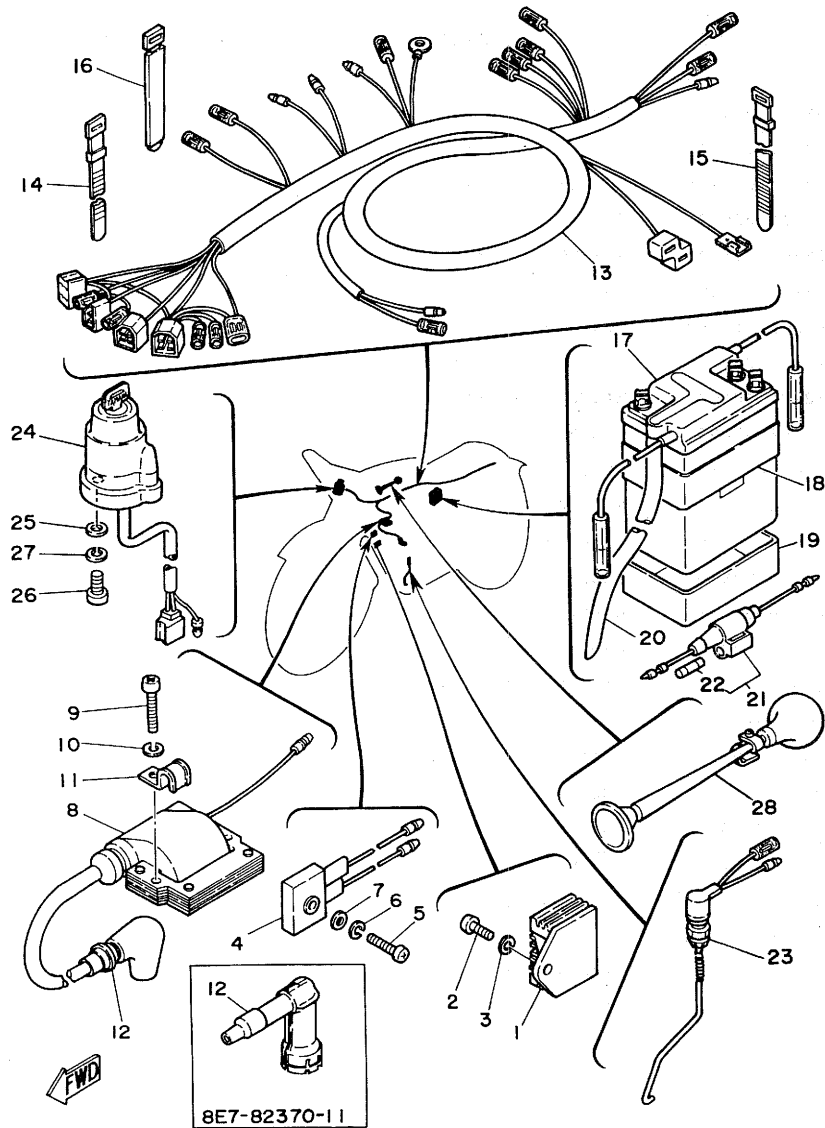
FIG. 31 ELECTRICAL 1



| REF. NO. | PART NO. | DESCRIPTION | Q'TY | REMARKS |
|----------|--------------|-------------------------|------|--------------------------|
| 1 | 4F4-81910-60 | VOLTAGE REGULATOR ASSY | 1 | |
| 2 | 92501-06015 | SCREW, Pan head | 1 | |
| 3 | 92901-06100 | WASHER, sPring | 1 | |
| 4 | 482-81970-61 | RECTIFIER ASSY | 1 | |
| 5 | 98501-05020 | SCREW, Pan head | 1 | |
| 6 | 92901-05100 | WASHER, sPring | 1 | |
| 7 | 92901-05600 | WASHER, Plate | 1 | |
| 8 | 4V5-82310-40 | IGNITION COIL ASSY | 1 | |
| 9 | 92501-06025 | SCREW, Pan head | 2 | |
| 10 | 92901-06100 | WASHER, sPring | 2 | |
| 11 | 90462-05005 | CLAMP | 1 | |
| 12 | 3R0-82370-20 | PLUG CAP ASSY | 1 | UR |
| | 8E7-82370-11 | PLUG CAP ASSY | 1 | UR with noise suPPressor |
| 13 | 5L4-82590-00 | WIRE HARNESS ASSY | 1 | |
| 14 | 437-83936-00 | BAND, switch cord | 5 | |
| 15 | 437-83936-10 | BAND, switch cord | 1 | |
| 16 | 2N6-26397-00 | BAND | 1 | |
| 17 | 2E9-82110-11 | BATTERY ASSY (6N2-2A-7) | 1 | |
| 18 | 3W1-82131-00 | BAND, battery | 1 | |
| 19 | 3W1-82122-00 | SEAT, battery | 1 | |
| 20 | 90445-08048 | HOSE | 1 | |
| 21 | 1E6-82150-00 | FUSE HOLDER ASSY | 1 | |
| 22 | 1E6-82151-00 | FUSE (6V-10A) | 2 | |
| 23 | 5L4-82530-00 | STOP SWITCH ASSY | 1 | |
| 24 | 5L4-82508-20 | MAIN SWITCH ASSY | 1 | |
| 25 | 90201-05033 | WASHER, Plate | 2 | |
| 26 | 98501-05025 | SCREW, Pan head | 2 | |
| 27 | 92901-05100 | WASHER, sPring | 2 | |

E2

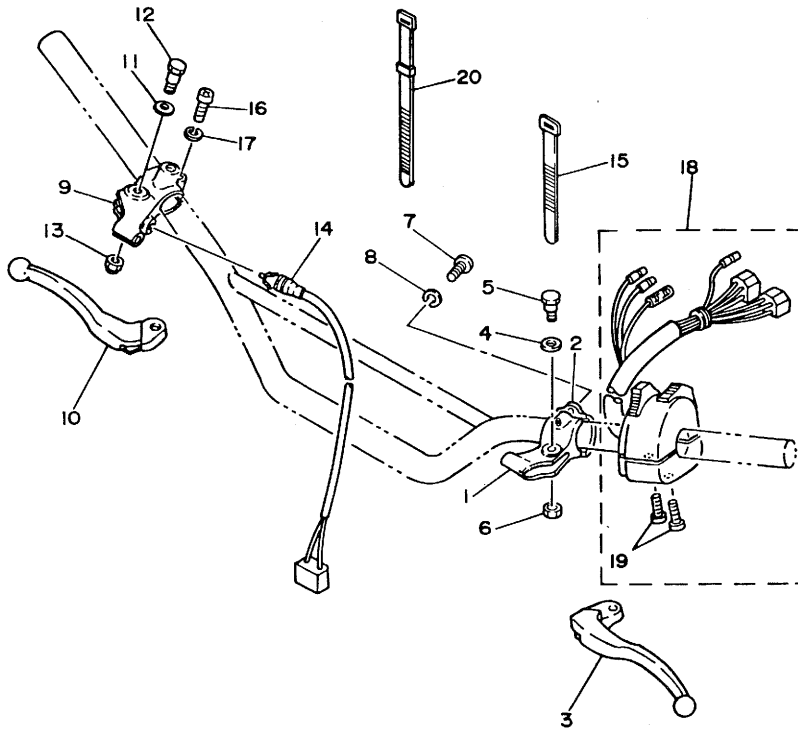
FIG. 31 ELECTRICAL 1



| REF. NO. | PART NO. | DESCRIPTION | Q'TY | REMARKS |
|----------|--------------|-------------|------|---------|
| 28 | 8F4-83371-00 | HORN | 1 | |

E3

FIG. 32 HANDLE SWITCH•LEVER

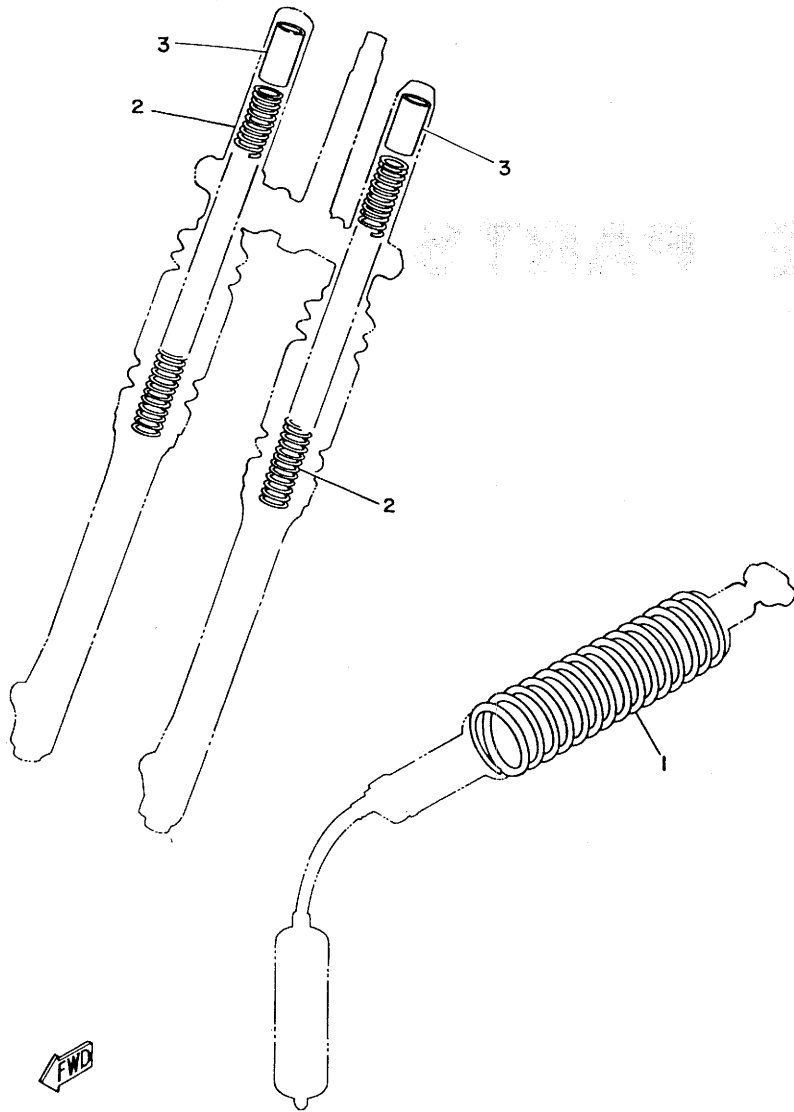


| REF. NO. | PART NO. | DESCRIPTION | Q'TY | REMARKS |
|----------|--------------|------------------------|------|---------|
| 1 | 4V4-82911-00 | HOLDER, lever 1 | 1 | |
| 2 | 4V4-82913-00 | HOLDER, lever lower 1 | 1 | |
| 3 | 3M2-83912-00 | LEVER 1 | 1 | |
| 4 | 90201-08083 | WASHER, Plate | 1 | |
| 5 | 90109-06410 | BOLT | 1 | |
| 6 | 95601-06100 | NUT, u | 1 | |
| 7 | 98506-05020 | SCREW, Pan head | 2 | |
| 8 | 92906-05100 | WASHER, sPring | 2 | |
| 9 | 4J0-82921-30 | HOLDER, lever 2 | 1 | |
| 10 | 3M2-83922-00 | LEVER 2 | 1 | |
| 11 | 90201-08083 | WASHER, Plate | 1 | |
| 12 | 90109-06410 | BOLT | 1 | |
| 13 | 95601-06100 | NUT, u | 1 | |
| 14 | 1M1-83980-30 | FRONT STOP SWITCH ASSY | 1 | |
| 15 | 437-83936-00 | BAND, switch cord | 2 | |
| 16 | 92506-06025 | SCREW, Pan head | 1 | |
| 17 | 92906-06100 | WASHER, sPring | 1 | |
| 18 | 3W1-83972-00 | SWITCH, handle 4 | 1 | |
| 19 | 98506-05022 | •SCREW, Pan head | 2 | |
| 20 | 437-83936-00 | BAND, switch cord | 2 | |



ALTERNATE PARTS

FIG. 33 ALTERNATE (CHASSIS)



| REF. NO. | PART NO. | DESCRIPTION | Q'TY | REMARKS |
|----------|--------------|---|------|--|
| 1 | 4V5-22212-10 | SPRING | 1 | UR soft (yellow/purple) |
| | 4V5-22212-20 | SPRING | 1 | UR hard (yellow/white) |
| 2 | 4V5-23141-11 | SPRING, front fork (K1=0.277, K2=0.314) | 2 | UR soft (use spacer 4V5-23118-10 with set) |
| | 4V5-23141-21 | SPRING, front fork (K1=0.339, K2=0.385) | 2 | UR hard (use spacer 4V5-23118-10 with set) |
| 3 | 4V5-23118-10 | SPACER (L=80) | 2 | |

← FWD

E5

REPAIR KIT

FIG. 34 REPAIR KIT

| REF. NO. | PART NO. | DESCRIPTION | Q'TY | REMARKS |
|----------|-----------------|----------------------------|------|---------|
| 1 | 4V5-11630-00 | PISTON ASSY (STD) | 1 | |
| 2 | 4V5-11631-00-95 | •PISTON (STD) | 1 | UR |
| | 4V5-11631-00-97 | •PISTON (STD) | 1 | UR |
| 3 | 2X7-11610-00 | •PISTON RING SET (STD) | 1 | |
| 4 | 214-11633-00 | •PIN, Piston | 1 | |
| 5 | 93450-19052 | •CIRCLIP | 2 | |
| 6 | 4V5-11630-10 | PISTON ASSY (1ST O/S) | 1 | |
| 7 | 4V5-11635-00 | •PISTON (1ST O/S 0.25MM) | 1 | |
| 8 | 2X7-11610-10 | •PISTON RING SET (1ST O/S) | 1 | |
| 9 | 214-11633-00 | •PIN, Piston | 1 | |
| 10 | 93450-19052 | •CIRCLIP | 2 | |
| 11 | 4V5-11630-20 | PISTON ASSY (2ND O/S) | 1 | |
| 12 | 4V5-11636-00 | •PISTON (2ND O/S 0.50MM) | 1 | |
| 13 | 2X7-11610-20 | •PISTON RING SET (2ND O/S) | 1 | |
| 14 | 214-11633-00 | •PIN, Piston | 1 | |
| 15 | 93450-19052 | •CIRCLIP | 2 | |
| 16 | 4V5-11630-30 | PISTON ASSY (3RD O/S) | 1 | |
| 17 | 4V5-11637-00 | •PISTON (3RD O/S 0.75MM) | 1 | |
| 18 | 2X7-11610-30 | •PISTON RING SET (3RD O/S) | 1 | |
| 19 | 214-11633-00 | •PIN, Piston | 1 | |
| 20 | 93450-19052 | •CIRCLIP | 2 | |
| 21 | 4V5-11630-40 | PISTON ASSY (4TH O/S) | 1 | |
| 22 | 4V5-11638-00 | •PISTON (4TH O/S 1.00MM) | 1 | |
| 23 | 2X7-11610-40 | •PISTON RING SET (4TH O/S) | 1 | |
| 24 | 214-11633-00 | •PIN, Piston | 1 | |
| 25 | 93450-19052 | •CIRCLIP | 2 | |
| 26 | 5X5-11650-00 | CONNECTING ROD ASSY | 1 | |
| 27 | 5X5-11651-00 | •ROD, connecting | 1 | |

E6

FIG. 34 REPAIR KIT

| REF. NO. | PART NO. | DESCRIPTION | Q'TY | REMARKS |
|----------|--------------|----------------------------|------|---------|
| 28 | 2X4-11681-00 | •PIN, crank 1 | 1 | |
| 29 | 93310-42541 | •BEARING, cylindrical | 1 | |
| 30 | 90209-25085 | •WASHER | 2 | |
| 31 | 93310-21874 | •BEARING, cylindrical | 1 | |
| 32 | 4V5-W0001-00 | GASKET KIT | 1 | |
| 33 | 1W3-11181-00 | •GASKET, cylinder head 1 | 1 | |
| 34 | 3R4-11351-00 | •GASKET, cylinder | 1 | |
| 35 | 2K7-13621-00 | •GASKET, valve seat | 1 | |
| 36 | 363-14184-00 | •GASKET, float chamber | 1 | |
| 37 | 4V5-15451-00 | •GASKET, crankcase cover | 1 | |
| 38 | 3R4-15462-00 | •GASKET, crankcase cover 3 | 1 | |
| 39 | 93210-14104 | •O-RING | 1 | |
| 40 | 90430-06016 | •GASKET | 1 | |
| 41 | 90430-12038 | •GASKET | 1 | |
| 42 | 93210-29282 | •O-RING | 1 | |
| 43 | 3R4-14613-00 | •GASKET, exhaust Pipe | 1 | |

E7

INDEX

NUMERICAL INDEX

| PART NO. | REF. NO. | PART NO. | REF. NO. |
|-----------------|----------|--------------|----------|
| 4V5-W0001-00 | 34-32 | 4V5-11638-00 | 2- 1 |
| 4V5-W1441-00 | 4-19 | | 34-22 |
| 3R4-W1442-01 | 4-22 | 5X5-11650-00 | 34-26 |
| 3R4-W1512-01 | 7- 8 | 5X5-11651-00 | 2-10 |
| 4V5-W2473-10 | 22- 1 | | 34-27 |
| 3R4-11111-00 | 1- 1 | 2X4-11681-00 | 2- 9 |
| 2N6-11127-00 | 1-13 | | 34-28 |
| 4V5-11161-00 | 1-14 | 137-13115-00 | 7- 9 |
| 1W3-11181-00 | 1- 2 | 4V3-13565-00 | 4- 7 |
| | 34-33 | 4V3-13581-00 | 4- 8 |
| 4V5-1131E-00 | 1-15 | 4V3-13584-01 | 4-10 |
| 4V5-11311-00 | 1- 6 | 2X5-13610-00 | 4- 1 |
| 3R4-11351-00 | 1- 7 | 2K7-13613-00 | 4- 2 |
| | 34-34 | 2X5-13616-00 | 4- 3 |
| 4V5-11400-00 | 2- 6 | 2K7-13621-00 | 4- 6 |
| 4V5-11412-00 | 2- 7 | | 34-35 |
| 3R4-11422-00 | 2- 8 | 4V5-14101-00 | 5- 1 |
| 2X7-11610-00 | 2- 2 | 2X7-14112-20 | 5-27 |
| | 34- 3 | 510-14115-00 | 5-31 |
| 2X7-11610-10 | 2- 2 | 239-14116-34 | 5-33 |
| | 34- 8 | 2A0-14122-00 | 5-25 |
| 2X7-11610-20 | 2- 2 | 1W3-14123-00 | 5-23 |
| | 34-13 | 363-14131-00 | 5-17 |
| 2X7-11610-30 | 2- 2 | 137-14133-00 | 5-22 |
| | 34-18 | 256-14135-00 | 5-40 |
| 2X7-11610-40 | 2- 2 | 509-14136-00 | 5-35 |
| | 34-23 | 164-14137-00 | 5-34 |
| 4V5-11630-00 | 34- 1 | 363-14137-00 | 5-21 |
| 4V5-11630-10 | 34- 6 | 737-14137-00 | 5-39 |
| 4V5-11630-20 | 34-11 | 239-14141-28 | 5- 5 |
| 4V5-11630-30 | 34-16 | 193-14142-50 | 5- 4 |
| 4V5-11630-40 | 34-21 | 137-14143-78 | 5- 6 |
| 4V5-11631-00-95 | 2- 1 | 137-14143-80 | 5- 6 |
| | 34- 2 | 137-14143-82 | 5- 6 |
| 4V5-11631-00-97 | 2- 1 | 3R4-14146-00 | 5-29 |
| | 34- 2 | 558-14147-00 | 5-32 |
| 214-11633-00 | 2- 3 | 509-14155-01 | 5-20 |
| | 34- 4 | 1W3-14158-00 | 5-43 |
| | 34- 9 | 127-14161-00 | 5-19 |
| | 34-14 | 802-14161-00 | 5-26 |
| | 34-19 | 1M1-14169-00 | 5-24 |
| | 34-24 | 1W1-14171-00 | 5-42 |
| 4V5-11635-00 | 2- 1 | 2X7-14173-00 | 5-37 |
| | 34- 7 | 802-14174-00 | 5-36 |
| 4V5-11636-00 | 2- 1 | 1W3-14175-00 | 5-44 |
| | 34-12 | 1W3-14178-00 | 5-41 |
| 4V5-11637-00 | 2- 1 | 3R4-14181-16 | 5- 2 |
| | 34-17 | 363-14184-00 | 5- 3 |

| PART NO. | REF. NO. | PART NO. | REF. NO. |
|--------------|----------|-----------------|----------|
| 363-14184-00 | 34-36 | 4V3-15621-00 | 9-12 |
| 2N7-14185-00 | 5- 7 | 3R4-15641-00 | 9- 2 |
| 537-14186-00 | 5- 9 | 3R4-15651-00 | 9- 7 |
| 239-14190-30 | 5- 8 | 3R4-15660-00 | 9- 1 |
| 2X7-14194-00 | 5-30 | 3R4-15664-00 | 9- 6 |
| 239-14195-00 | 5-10 | 3R4-16111-00 | 10- 1 |
| 2K7-14197-00 | 5-11 | 3R4-16150-00 | 10- 7 |
| 310-14197-00 | 5-14 | 2K7-16154-00 | 10-15 |
| 509-14198-00 | 5-18 | 2K7-16181-00 | 10-14 |
| 737-14241-00 | 5-38 | 4V3-16300-00 | 10- 6 |
| 509-14274-00 | 5-28 | 383-16321-00 | 10-11 |
| 4V3-1441K-00 | 4- 9 | 168-16325-00 | 10-10 |
| 4V5-14412-00 | 4-26 | 1M1-16351-00 | 10- 9 |
| 5L4-14441-00 | 4-34 | 3R4-16356-00 | 10-18 |
| 4V5-14452-01 | 4-27 | 2K7-16357-00 | 10-24 |
| 4V5-14455-00 | 4-28 | 3R4-16371-00 | 10- 8 |
| 1W4-14457-00 | 4-20 | 4V4-16380-00 | 10-29 |
| 3R4-14458-00 | 4-23 | 5L4-17121-00 | 11- 8 |
| 4V4-14459-00 | 4-24 | 4V5-17131-00 | 11- 6 |
| 4V4-14484-00 | 4-32 | 4V5-17151-00 | 11- 3 |
| 4V3-14493-00 | 21-31 | 3R4-17161-03 | 11- 7 |
| 4V4-14499-00 | 4-33 | 2X7-17211-00 | 11-20 |
| 4V5-14610-00 | 6- 1 | 4V5-17221-00 | 11-12 |
| 3R4-14613-00 | 6- 3 | 4V5-17231-00 | 11-18 |
| | 34-43 | 4V5-17241-00 | 11-17 |
| 3R4-14619-01 | 1-12 | 4V5-17251-00 | 11-19 |
| 5L4-14634-00 | 6- 2 | 3R4-17261-02 | 11-15 |
| 1M1-14714-00 | 6-10 | 4V5-17411-00 | 11- 1 |
| 565-14747-00 | 6-19 | 3R4-17421-00 | 11-11 |
| 4V5-14752-00 | 6-13 | 4V5-17446-00 | 8- 8 |
| 4V5-14753-00 | 6-12 | 1W4-17461-30 | 11-27 |
| 565-14771-00 | 6-23 | 1W4-17461-40 | 11-27 |
| 3R4-14781-02 | 6- 5 | 1W4-17461-50 | 11-27 |
| 3R4-15111-01 | 7- 1 | 5X5-18101-00 | 13- 1 |
| 3R4-15113-00 | 7-17 | 5X6-18111-00 | 13- 2 |
| 3R4-15118-00 | 7-15 | 1W6-18113-00 | 13- 6 |
| 1G8-15362-00 | 8-13 | 3R4-18140-00 | 12- 7 |
| 3R4-15381-00 | 7-13 | 5X4-18162-00 | 13- 3 |
| 3R4-15383-01 | 7- 5 | 1W1-18177-00 | 12- 9 |
| 4V5-15411-00 | 8- 1 | 3R4-18185-00 | 12- 2 |
| 3R4-15421-00 | 8- 4 | 3R4-18511-01 | 12-10 |
| 3R4-15431-02 | 8-10 | 3R4-18512-01 | 12-11 |
| 4V5-15451-00 | 8- 2 | 3R4-18513-01 | 12-12 |
| | 34-37 | 5X5-18531-00 | 12-14 |
| 3R4-15462-00 | 8-11 | 5X5-18535-00 | 12-15 |
| | 34-38 | 3R4-18540-02 | 12- 1 |
| 2K7-15618-00 | 9-17 | 3R4-18561-00 | 12- 3 |
| 4V3-15620-00 | 9-11 | 5L4-21110-01-33 | 14- 1 |
| | | 3W1-21170-00 | 16-13 |

NUMERICAL INDEX

| PART NO. | REF. NO. | PART NO. | REF. NO. |
|-----------------|----------|--------------|----------|
| 3R4-2139W-00 | 14-23 | 3R4-22489-00 | 18- 5 |
| 3R4-21415-00 | 14- 2 | 1W1-22493-00 | 18- 9 |
| 4V3-21425-00 | 14- 4 | 3R4-22497-00 | 18-14 |
| 4V5-2147A-00-33 | 14-24 | 4V5-23102-L1 | 20- 1 |
| 4V5-2147E-00-33 | 14-25 | 4V5-23103-L1 | 20-29 |
| 2K7-2148A-00 | 14-15 | 5X4-23110-L0 | 20- 9 |
| 3R9-21511-10 | 15- 1 | | 20-37 |
| 5L4-21610-10 | 15- 6 | 5X4-23111-L0 | 20-20 |
| 1M1-21621-00 | 15-14 | | 20-48 |
| 4V5-21629-00 | 15-10 | 1W4-23114-L0 | 20-11 |
| 4V5-21711-10-26 | 16- 1 | | 20-39 |
| 4V5-21721-10-26 | 16- 7 | 4V5-23118-L1 | 20-28 |
| 2X5-21732-00 | 14-26 | | 20-59 |
| 4V5-21737-00 | 16-12 | 4V5-23118-10 | 33- 3 |
| 565-21746-00 | 15-15 | 122-23119-01 | 20-26 |
| 3W1-2176E-00 | 16-18 | | 20-57 |
| 4J2-21773-00 | 16-19 | 4V2-23125-L0 | 20- 3 |
| 4V5-22110-00-35 | 17- 1 | | 20-31 |
| 1W1-22128-00 | 18-32 | 4V5-23126-L0 | 20- 2 |
| 3R4-22129-00 | 17- 7 | 122-23129-00 | 20-24 |
| 3R4-22141-00 | 17-13 | | 20-53 |
| 3R4-22147-00 | 17-30 | 4V5-23136-L0 | 20-30 |
| 431-22151-03 | 17-12 | 4V5-23141-L1 | 20-15 |
| 3R5-22153-00 | 17-17 | | 20-43 |
| 5X6-22178-00 | 14-16 | 4V5-23141-11 | 33- 2 |
| 2X4-22179-00 | 17-16 | 4V5-23141-21 | 33- 2 |
| 4V4-22184-00 | 14-17 | 1W4-23142-L0 | 20-16 |
| 2X4-22199-00 | 17-18 | | 20-44 |
| 4V5-22210-00 | 18- 1 | 3R4-23144-00 | 20- 7 |
| 4V5-22212-00 | 18-19 | | 20-35 |
| 4V5-22212-10 | 33- 1 | 1W4-23145-L0 | 20- 4 |
| 4V5-22212-20 | 33- 1 | | 20-32 |
| 3R4-22213-00 | 18-17 | 4V2-23146-L0 | 20- 5 |
| 3R4-22214-00 | 18-20 | | 20-33 |
| 1W1-22216-00 | 18- 3 | 3J2-23147-00 | 20-22 |
| 3R4-22221-01 | 18-16 | | 20-51 |
| 3R4-22223-00 | 18-22 | 3R4-23148-00 | 20- 8 |
| 3R4-22224-00 | 18-21 | | 20-36 |
| 3R4-22226-00 | 18-12 | 1W4-23151-L0 | 20-13 |
| 3R4-22228-00 | 18-10 | | 20-41 |
| 3R4-22261-00 | 18-34 | 3R4-23153-00 | 20- 6 |
| 4V4-22262-01 | 18-35 | | 20-34 |
| 4V5-22311-00 | 17-34 | 4V2-23157-L0 | 20-14 |
| 4V5-22401-00 | 18- 2 | | 20-42 |
| 3R4-22409-00 | 18-11 | 509-23158-L0 | 20-23 |
| 4L0-22472-00 | 18- 8 | | 20-52 |
| 3R4-22473-00 | 18- 7 | 4V2-23167-L0 | 20-50 |
| 3R4-22475-00 | 18- 6 | 4V5-23170-L0 | 20-12 |
| | | | 20-40 |

NUMERICAL INDEX

| PART NO. | REF. NO. | PART NO. | REF. NO. | PART NO. | REF. NO. |
|-----------------|----------|-----------------|----------|-----------------|----------|
| 3R4-23173-L0 | 20-10 | 2W6-25104-02 | 23-15 | 382-26372-01 | 25-18 |
| | 20-38 | 1K7-25111-11-98 | 23- 1 | 498-26372-00 | 25-20 |
| 3R4-23181-L0 | 20-25 | 146-25116-00 | 23- 3 | 2N6-26397-00 | 31-16 |
| | 20-54 | 1W1-25121-02-98 | 23- 6 | 5L4-27211-00 | 26- 6 |
| 4V4-23190-L0 | 20-21 | 4N0-2513A-00 | 23-13 | 2X4-27231-01 | 26-15 |
| | 20-49 | 322-25130-00 | 23- 7 | 1W2-27237-00 | 24-15 |
| 3R4-23191-M0 | 20-17 | 5L4-25151-00 | 23- 9 | 1W2-27239-00 | 26-20 |
| | 20-45 | 322-25155-00 | 23-10 | 3R8-27242-00 | 26- 7 |
| 1W4-23192-L0 | 20-18 | 137-25159-00 | 23-12 | 4V5-27286-00 | 26-12 |
| | 20-46 | 4V5-25181-00 | 23-21 | 4V5-27311-01-33 | 26- 1 |
| 4V2-23194-L0 | 20-27 | 1W2-25190-00 | 23-20 | 5L4-2741H-00 | 14-28 |
| | 20-58 | 4V5-25194-00 | 23-19 | 4V4-27411-00 | 26-24 |
| 1W2-23318-00 | 19-12 | 4V4-25304-00 | 24-20 | 4V5-27412-00 | 26-25 |
| 4V5-23340-L0-33 | 20-60 | 4V4-25311-00-98 | 24- 1 | 4V4-27421-00 | 26-26 |
| 3R4-23389-00 | 19-16 | 4V4-25315-00 | 24- 3 | 4V5-27422-00 | 26-27 |
| | 20-61 | 4V4-25317-00 | 24- 2 | 4V5-28100-10 | 22-15 |
| 4V5-23389-00 | 20-66 | 4V5-25321-01-98 | 24- 7 | 1W1-28135-10 | 22-16 |
| 1W1-23416-00 | 19-10 | 3Y6-2533A-01 | 24-18 | 648-45533-00-03 | 17- 6 |
| 1W4-23435-00-98 | 19- 1 | 4V4-25330-00 | 24- 8 | 104-81328-20 | 3-10 |
| 1E6-23441-00-98 | 19- 6 | 5L4-25351-00 | 24-10 | 110-81345-21 | 3-17 |
| 1W4-23489-L0 | 20-19 | 148-25353-00 | 24-14 | 4F4-81910-60 | 31- 1 |
| | 20-47 | 4V5-25355-00 | 24-12 | 482-81970-61 | 31- 4 |
| 4V5-24110-11 | 21- 1 | 148-25359-00 | 24-11 | 2E9-82110-11 | 31-17 |
| 1W1-24144-01 | 21- 3 | 4V4-25367-00 | 24-29 | 3W1-82122-00 | 31-19 |
| 3R3-24173-00 | 21-11 | 4V5-25381-00 | 24-35 | 1E6-82131-00 | 4-11 |
| 3R4-24181-00 | 21-29 | 4V5-25388-00 | 24-32 | 116-82131-00 | 3-24 |
| 431-24181-00 | 14-27 | 4V5-25389-00 | 24-31 | 3W1-82131-00 | 31-18 |
| | 16- 6 | 2X5-25394-00 | 24-24 | 1E6-82150-00 | 31-21 |
| 1W1-24182-01 | 21- 2 | 3R6-25446-10-33 | 24-25 | 1E6-82151-00 | 31-22 |
| 1W1-24183-00 | 21-28 | 3R6-25448-10-33 | 24-25 | 4V5-82310-40 | 31- 8 |
| 4V5-24240-19 | 21-30 | 3R6-25450-10-33 | 24-25 | 3R0-82370-20 | 31-12 |
| 4V5-24500-00 | 21-12 | 3R6-25452-10-33 | 24-25 | 8E7-82370-11 | 31-12 |
| 4X8-24515-00 | 21-20 | 4V5-26111-00 | 25- 1 | 5L4-82508-20 | 31-24 |
| 4X8-24521-00 | 21-17 | 4J0-26199-00 | 25-31 | 5L4-82530-00 | 31-23 |
| 4V5-24524-00 | 21-13 | 4V4-26241-00 | 25- 2 | 688-82535-00 | 25- 6 |
| 4V5-24525-00 | 21-14 | 4V4-26242-00 | 25- 3 | 5L4-82590-00 | 31-13 |
| 357-24529-10 | 21-15 | 4V6-26243-00 | 25- 4 | 4V4-82911-00 | 32- 1 |
| 4X8-24534-00 | 21-16 | 4V4-26249-00 | 25- 5 | 4V4-82913-00 | 32- 2 |
| 4X8-24535-00 | 21-19 | 4V6-2628E-00 | 25- 9 | 4J0-82921-30 | 32- 9 |
| 4X8-24565-00 | 21-18 | 4V4-2628F-00 | 25-10 | 3W1-83310-00 | 27- 1 |
| 3R9-24611-00 | 21-25 | 4V4-2628G-00 | 25-14 | 152-83311-10 | 27- 4 |
| 3R9-24612-00 | 21-26 | 4V4-26281-00 | 25- 7 | | 27-15 |
| 509-24724-00 | 22- 6 | 4V4-26282-00 | 25- 8 | 341-83312-70 | 27- 2 |
| 1W1-24738-00 | 22- 4 | 4V4-26311-00 | 25-15 | | 27-13 |
| 1M1-24748-00 | 22- 3 | 510-26329-00 | 25-16 | 1M1-83313-60 | 27- 3 |
| 4V5-24771-10 | 22- 2 | 4V4-26335-00 | 25-17 | | 27-14 |
| 4V5-24833-00 | 22-11 | 5L4-26341-00 | 25-19 | 1M1-83318-00 | 27- 6 |
| 4V5-24850-00 | 22-10 | 156-26347-00 | 25-24 | | 27- 9 |

NUMERICAL INDEX

| PART NO. | REF. NO. | PART NO. | REF. NO. | PART NO. | REF. NO. |
|--------------|----------|-------------|----------|-------------|----------|
| 3W1-83330-00 | 27-12 | 90101-06291 | 24-13 | 90201-06571 | 16- 5 |
| 3E1-83350-11 | 27-21 | 90101-06304 | 22- 5 | | 16-10 |
| 1J7-83354-00 | 27- 7 | 90101-08428 | 26-28 | 90201-06709 | 1-18 |
| | 27-10 | 90102-10006 | 26- 3 | 90201-08083 | 25-23 |
| 8F4-83371-00 | 31-28 | 90105-12096 | 26-31 | | 32- 4 |
| 5L4-83519-00 | 28- 2 | 90105-14136 | 19- 5 | | 32-11 |
| 437-83525-00 | 28- 3 | 90109-06410 | 32- 5 | 90201-08092 | 10-22 |
| 4V5-83550-00 | 28- 8 | | 32-12 | 90201-081A6 | 24-28 |
| 3R8-83570-F0 | 28- 1 | 90109-06551 | 6-27 | 90201-08113 | 14-19 |
| 3R8-83570-60 | 28- 1 | 90109-08397 | 20-62 | 90201-08114 | 6-21 |
| 4V5-83592-00 | 29-11 | 90109-08512 | 6-22 | 90201-08544 | 20-65 |
| 3M2-83912-00 | 32- 3 | 90109-08599 | 17- 2 | 90201-08638 | 14-22 |
| 3M2-83922-00 | 32-10 | 90109-10550 | 18-25 | 90201-12593 | 3-22 |
| 437-83936-00 | 30-14 | 90110-08038 | 24-26 | 90201-12631 | 24-16 |
| | 31-14 | 90116-08321 | 1- 4 | 90201-13202 | 14-18 |
| | 32-15 | 90116-10313 | 1- 8 | 90201-15234 | 9-15 |
| | 32-20 | 90116-10314 | 1- 9 | 90201-15785 | 23-22 |
| 437-83936-10 | 25-30 | 90119-06022 | 21- 9 | 90201-17327 | 10-27 |
| | 31-15 | 90123-08046 | 25-29 | 90201-17545 | 9- 8 |
| 3W1-83972-00 | 32-18 | 90149-06011 | 21-22 | 90201-20278 | 11-21 |
| 1M1-83980-30 | 32-14 | 90149-08143 | 10-20 | 90201-20358 | 9- 4 |
| 4V5-84110-00 | 29- 1 | 90159-06016 | 10-13 | 90201-22555 | 11- 4 |
| 4G2-84114-00 | 29- 2 | 90170-12067 | 3-20 | 90201-25287 | 11-13 |
| 4V5-84130-10 | 29- 4 | 90170-16111 | 17-14 | 90202-06010 | 6-18 |
| 4V5-84132-00 | 29- 5 | 90170-18089 | 10- 4 | | 21-21 |
| 4V5-84134-00 | 29- 8 | 90170-20213 | 18-18 | 90206-14067 | 18-24 |
| 4V5-84140-00 | 29- 3 | 90170-20255 | 10-17 | 90209-06187 | 15- 5 |
| 4V5-84141-00 | 29-12 | 90171-14020 | 23-23 | 90209-17212 | 11- 9 |
| 4V5-84143-00 | 29- 9 | 90175-06012 | 4-25 | 90209-22082 | 11-16 |
| 5L4-84500-00 | 30- 1 | 90175-06013 | 26-21 | 90209-25085 | 2-12 |
| 122-84514-00 | 30- 2 | 90179-08148 | 25-21 | | 34-30 |
| 434-84515-61 | 30- 4 | 90179-08278 | 17- 3 | 90215-20125 | 10-16 |
| 434-84521-69 | 30- 3 | 90179-08299 | 1- 5 | 90215-21121 | 11-28 |
| 434-84522-62 | 30- 6 | 90179-10292 | 1-10 | 90240-06040 | 26-16 |
| | 30-10 | 90179-12244 | 9-18 | 90240-08012 | 25-22 |
| 434-84552-62 | 30- 5 | 90179-18332 | 24-38 | 90240-12074 | 18-29 |
| 849-84724-00 | 29- 6 | 90179-20255 | 11-29 | 90243-08020 | 13- 5 |
| 5L4-85500-20 | 3- 1 | 90179-25033 | 19-11 | 90280-03017 | 2-15 |
| 4V5-85509-20 | 3- 3 | 90185-08089 | 14-14 | 90282-04036 | 12- 5 |
| 4V5-85511-20 | 3- 4 | | 24-27 | 90282-07019 | 10- 2 |
| 4V5-85512-20 | 3- 5 | 90201-05033 | 31-25 | 90338-07011 | 7-10 |
| 4J0-85513-20 | 3- 6 | 90201-06042 | 13- 8 | 90340-12059 | 7-20 |
| 5L4-85515-20 | 3- 9 | 90201-06067 | 15- 2 | 90380-12051 | 18-13 |
| 1W2-85516-20 | 3- 8 | | 15- 9 | 90380-16077 | 17-11 |
| 4V5-85540-20 | 3-23 | | 15-13 | 90386-22097 | 17- 8 |
| 4V5-85550-20 | 3- 2 | | 17-38 | 90387-04007 | 30- 9 |
| 4V5-85580-20 | 3- 7 | | 22-13 | 90387-06574 | 16-15 |
| 90101-06291 | 23-11 | 90201-06407 | 21- 8 | 90387-07393 | 21- 7 |

NUMERICAL INDEX

NUMERICAL INDEX

| PART NO. | REF. NO. | PART NO. | REF. NO. | PART NO. | REF. NO. | PART NO. | REF. NO. | PART NO. | REF. NO. | PART NO. | REF. NO. |
|-------------|----------|-------------|----------|-------------|----------|-------------|----------|-------------|----------|-------------|----------|
| 90387-08258 | 6-20 | 90508-30422 | 9- 5 | 92901-04100 | 3-12 | 92901-08200 | 17-41 | 93306-20107 | 12-16 | 95301-06700 | 26-23 |
| 90387-16776 | 7- 7 | 90508-32478 | 26-14 | | 3-14 | 92901-08600 | 6- 9 | 93306-20203 | 23- 4 | 95301-10600 | 27-18 |
| | 7-12 | 90560-08066 | 17-40 | | 3-16 | | 14- 7 | 93306-20205 | 23- 5 | | 27-20 |
| 90387-201E6 | 24-30 | 90560-12171 | 13-12 | 92901-04600 | 29- 7 | | 17-21 | 93306-20542 | 11- 2 | 95302-10700 | 18-26 |
| 90387-25663 | 11-26 | 90560-15116 | 23- 2 | 92901-05100 | 17-32 | | 17-29 | 93306-20544 | 11-24 | 95302-10900 | 26- 4 |
| 90430-05009 | 25-13 | 91316-06020 | 4-16 | | 31- 6 | 92901-10100 | 27-17 | 93306-20619 | 2-13 | 95303-08800 | 27- 8 |
| 90430-06016 | 8-16 | 91316-06025 | 8-12 | | 31-27 | | 27-19 | | 2-16 | | 27-11 |
| | 34-40 | 91316-06040 | 7- 4 | 92901-05200 | 17-33 | 92901-10200 | 14-10 | 93310-21874 | 2- 5 | 95311-06600 | 20-55 |
| 90430-12038 | 7-21 | 91316-06055 | 7- 3 | 92901-05600 | 19-14 | 92901-12100 | 3-21 | | 34-31 | 95311-08600 | 20-63 |
| | 34-41 | 91316-06060 | 7- 2 | | 31- 7 | 92901-12600 | 18-30 | 93310-42541 | 2-11 | 95311-08700 | 10-23 |
| 90445-08048 | 31-20 | 91401-16012 | 24-34 | 92901-06100 | 1-17 | 92901-16100 | 17-15 | | 34-29 | 95601-06100 | 17-39 |
| 90445-08605 | 7-19 | 91401-20015 | 25-25 | | 4-31 | 92901-18100 | 10- 3 | 93311-41734 | 11-10 | | 32- 6 |
| 90445-09117 | 21-27 | | 26-11 | | 6-15 | | 24-36 | 93311-62035 | 11-23 | | 32-13 |
| 90445-11152 | 21-23 | | 26-18 | | 6-25 | 92901-20600 | 24-37 | 93315-21721 | 10-25 | 95601-08100 | 26-29 |
| 90445-21562 | 4-12 | 91401-20025 | 18-28 | | 14-30 | 92902-03600 | 5-16 | 93317-22214 | 17- 5 | 95601-10100 | 14-11 |
| 90446-11180 | 13- 7 | | 26- 5 | | 16- 4 | 92902-05100 | 5-13 | 93332-00008 | 19- 9 | 95602-06100 | 22-14 |
| 90460-43053 | 6-11 | 91401-25025 | 24-17 | | 16- 9 | 92902-06100 | 15- 4 | 93332-00023 | 19- 8 | 95602-08100 | 14-21 |
| 90460-51109 | 4-15 | 91401-30025 | 18-31 | | 16-17 | | 15-12 | 93342-22208 | 17- 4 | 95701-08100 | 19- 4 |
| 90460-68120 | 4-17 | 91401-30030 | 23-24 | | 17-23 | | 16-22 | 93410-17008 | 9- 9 | 95702-06300 | 17-26 |
| 90462-05005 | 16-20 | 91701-05055 | 24-33 | | 17-36 | | 18-37 | 93410-20038 | 11-22 | 95811-08075 | 14- 8 |
| | 30-15 | 91701-06028 | 26- 9 | | 20-56 | | 22- 8 | 93410-22039 | 11- 5 | 95811-08080 | 14- 3 |
| | 31-11 | 91810-05016 | 7-11 | | 21- 5 | 92902-06600 | 18-38 | 93430-10015 | 26-13 | 95811-08170 | 14-12 |
| 90462-08078 | 28- 7 | 91830-24016 | 1-11 | | 21-33 | | 22- 9 | 93430-10016 | 9-16 | 95811-10045 | 14- 9 |
| 90465-14192 | 25-26 | 92501-06008 | 6-17 | | 25-28 | 92902-08200 | 16- 2 | 93440-25084 | 11-14 | 95821-08035 | 19- 7 |
| 90467-10008 | 21-24 | 92501-06010 | 14-29 | | 28- 5 | 92902-10600 | 18-27 | 93440-50078 | 18-23 | 95821-08040 | 19- 2 |
| 90467-20030 | 4-21 | | 21-32 | | 30-12 | 92903-03100 | 4- 5 | 93450-19052 | 2- 4 | 95821-08055 | 19- 3 |
| 90467-20050 | 4-13 | 92501-06012 | 6-14 | | 31- 3 | 92906-04100 | 30- 8 | | 34- 5 | 97301-06012 | 21- 4 |
| 90468-08104 | 4-14 | | 7-14 | | 31-10 | 92906-05100 | 32- 8 | | 34-10 | 97301-06014 | 1-16 |
| 90468-26048 | 9- 3 | | 7-18 | 92901-06200 | 14-31 | 92906-06100 | 8- 6 | | 34-15 | 97301-06016 | 4-30 |
| 90480-12053 | 16-11 | | 16-21 | | 26-17 | | 15- 8 | | 34-20 | | 6-24 |
| | 29-10 | | 30-11 | | 30-13 | | 32-17 | | 34-25 | | 15-11 |
| 90480-13197 | 4-29 | 92501-06015 | 30- 3 | 92901-06600 | 3-19 | 92906-06600 | 8- 7 | 93507-32009 | 9-13 | | 22- 7 |
| 90480-15279 | 16-14 | | 16- 8 | | 6-16 | 93101-12004 | 13-10 | 93515-32029 | 10-19 | 97301-06020 | 26-22 |
| 90480-22263 | 18-33 | | 25-27 | | 6-26 | 93102-17004 | 10-26 | 93604-26132 | 18-15 | 97301-06045 | 16-16 |
| 90501-10245 | 26-19 | | 31- 2 | | 17-24 | 93102-28022 | 24- 6 | 93606-14154 | 12-13 | 97301-06050 | 17-25 |
| 90501-12081 | 9-14 | 92501-06020 | 3-18 | | 17-37 | 93102-32M07 | 11-25 | 93608-25150 | 13-11 | 97301-08016 | 6- 7 |
| 90501-14633 | 4-18 | | 17-22 | | 21- 6 | 93103-30092 | 2-14 | 94130-21654 | 23-16 | | 17-19 |
| 90501-23138 | 10-12 | | 17-35 | | 26-10 | 93103-40091 | 2-17 | 94151-18684 | 24-21 | 97301-08020 | 17-42 |
| 90506-16036 | 23- 8 | | 22-12 | | 28- 6 | 93108-35004 | 17- 9 | 94230-21126 | 23-17 | 97301-08035 | 17-27 |
| 90507-20002 | 24- 9 | 92501-06025 | 31- 9 | 92901-08100 | 6- 8 | 93109-20014 | 9-10 | 94245-18125 | 24-22 | 97301-08055 | 14-20 |
| 90507-20030 | 6- 4 | 92501-08010 | 7-16 | | 10-20 | 93109-22018 | 17-10 | 94330-21088 | 23-18 | 97302-06020 | 15- 3 |
| 90507-29008 | 26- 2 | 92502-06016 | 18-36 | | 14- 6 | 93210-14104 | 8-14 | 94345-18081 | 24-23 | 97306-06016 | 15- 7 |
| 90508-14423 | 10-28 | 92506-06008 | 8-15 | | 17-20 | | 34-39 | 94416-21234 | 23-14 | 97321-06012 | 28- 4 |
| 90508-14429 | 26- 8 | 92506-06012 | 8- 9 | | 17-28 | | 10- 5 | 94425-18280 | 24-19 | 97321-06020 | 13- 9 |
| 90508-14516 | 13- 4 | 92506-06025 | 8- 5 | | 17-43 | | 34-42 | 94580-40108 | 24-39 | 97321-08025 | 14- 5 |
| 90508-20023 | 26-30 | | 32-16 | | 20-64 | 93306-00406 | 24- 5 | 94680-40011 | 24-40 | 97602-03108 | 5-15 |
| 90508-24522 | 12- 8 | 92506-06035 | 8- 3 | 92901-08200 | 6- 6 | 93306-00418 | 24- 4 | * | 1- 3 | 97701-30520 | 27- 5 |
| 90508-29361 | 13-13 | 92701-06012 | 7- 6 | | 14-13 | 93306-00422 | 12- 4 | 95301-05600 | 19-15 | | 27-16 |

NUMERICAL INDEX

| PART NO. | REF. NO. | PART NO. | REF. NO. | PART NO. | REF. NO. |
|-------------|----------|----------|----------|----------|----------|
| 98501-03008 | 4- 4 | | | | |
| 98501-04005 | 18- 4 | | | | |
| 98501-04014 | 3-15 | | | | |
| 98501-04030 | 3-13 | | | | |
| 98501-04035 | 3-11 | | | | |
| 98501-05010 | 17-31 | | | | |
| 98501-05016 | 5-12 | | | | |
| | 25-12 | | | | |
| 98501-05018 | 19-13 | | | | |
| 98501-05020 | 31- 5 | | | | |
| 98501-05025 | 31-26 | | | | |
| 98506-04025 | 30- 7 | | | | |
| 98506-05020 | 32- 7 | | | | |
| 98506-05022 | 32-19 | | | | |
| 98701-05016 | 12- 6 | | | | |
| 98902-06018 | 21-10 | | | | |
| 98906-05010 | 25-11 | | | | |

PARTS NAME INDEX

| DESCRIPTION | REF. NO. |
|-------------------------|-------------|
| ABSORBER 1 | 1-14 |
| ABSORBER 3 | 1-13 |
| AIR CLEANER CASE COMP. | 4-19 |
| AIR VALVE COMP. | 20-21 |
| * | 20-49 |
| ARM, tensioner | 17-16 |
| AXLE, drive | 11-11 |
| AXLE, main (12T) | 11- 1 |
| AXLE, wheel | 23-21 |
| * | 24-35 |
| BALL | 9-13 |
| * | 10-19 |
| BAND | 4-28 |
| * | 20-18 |
| * | 20-19 |
| * | 20-46 |
| * | 20-47 |
| * | 31-16 |
| BAND, battery | 3-24 |
| * | 4-11 |
| * | 31-18 |
| BAND, rim (3.00-21) | 23-18 |
| BAND, rim (4.50-18) | 24-23 |
| BAND, switch cord | 25-30 |
| * | 30-14 |
| * | 31-14 |
| * | 31-15 |
| * | 32-15 |
| * | 32-20 |
| BAND, tank fitting 1 | 21-11 |
| BAR, shift fork guide 1 | 12-14 |
| BAR, shift fork guide 2 | 12-15 |
| BASE, magneto | 3- 3 |
| BATTERY ASSY (6N2-2A-7) | 31-17 |
| BEARING | 11- 2 |
| * | 11-24 |
| * | 12- 4 |
| * | 17- 4 |
| * | 19- 8 |
| * | 19- 9 |
| * | 24- 4 |
| BEARING (B6004Z) | 24- 5 |
| BEARING (B6201) | 12-16 |
| BEARING (B6202) | 23- 5 |
| BEARING (B6202RS) | 23- 4 |
| BEARING (B6206) | 2-13 |
| * | 2-16 |
| BEARING, cylindrical | 2- 5 |

PARTS NAME INDEX

| DESCRIPTION | REF. NO. |
|-----------------------|-------------|
| BEARING, cylindrical | 2-11 |
| * | 10-25 |
| * | 11-10 |
| * | 11-23 |
| * | 17- 5 |
| * | 34-29 |
| * | 34-31 |
| BODY ASSY, headlight | 29- 4 |
| BODY, caP | 21-25 |
| BODY, float chamber 1 | 5- 2 |
| BOLT | 1-16 |
| * | 4-16 |
| * | 4-30 |
| * | 6- 7 |
| * | 6-22 |
| * | 6-24 |
| * | 6-27 |
| * | 7- 2 |
| * | 7- 3 |
| * | 7- 4 |
| * | 8-12 |
| * | 13- 9 |
| * | 14- 5 |
| * | 14-20 |
| * | 15- 3 |
| * | 15- 7 |
| * | 15-11 |
| * | 16-16 |
| * | 17- 2 |
| * | 17-19 |
| * | 17-25 |
| * | 17-27 |
| * | 17-42 |
| * | 18-25 |
| * | 20-62 |
| * | 21- 4 |
| * | 22- 5 |
| * | 22- 7 |
| * | 23-11 |
| * | 24-13 |
| * | 25-29 |
| * | 26-22 |
| * | 26-28 |
| * | 28- 4 |
| * | 32- 5 |
| * | 32-12 |
| BOLT, caP | 20-20 |
| * | 20-48 |

PARTS NAME INDEX

| DESCRIPTION | REF. NO. |
|----------------------------|-------------|
| BOLT, fitting | 30- 5 |
| BOLT, flange | 14- 3 |
| * | 14- 8 |
| * | 14- 9 |
| * | 14-12 |
| * | 19- 2 |
| * | 19- 3 |
| * | 19- 7 |
| BOLT, hexagon socket head | 20-25 |
| * | 20-54 |
| * | 24-26 |
| BOLT, stopper | 12- 9 |
| BOLT, stud | 1- 4 |
| * | 1- 8 |
| * | 1- 9 |
| BOLT, washer based | 19- 5 |
| * | 26-31 |
| BOLT, with hole | 28- 3 |
| BOLT, with washer | 21- 9 |
| BOOT | 20-17 |
| * | 20-45 |
| BOSS, clutch | 10- 8 |
| BOSS, kick crank | 9-12 |
| BOX COMP. | 16-13 |
| BRACKET, carrier 2 | 22-11 |
| BRACKET, footrest 1 | 26-25 |
| BRACKET, footrest 2 | 26-27 |
| BRACKET, front upper 1 | 14- 2 |
| BRACKET, meter | 28- 2 |
| BRACKET, rear upper 1 | 14- 4 |
| BRACKET, seat | 22- 3 |
| * | 22- 4 |
| BRAKE SHOE COMP. | 23- 7 |
| * | 24- 8 |
| BULB (6V-10/3W) | 30- 2 |
| BULB (6V-10W) | 27- 4 |
| * | 27-15 |
| BULB, headlight | 29- 2 |
| BUSH | 5-38 |
| * | 14-17 |
| * | 17- 8 |
| BUSH, rear shock absorber | 18- 3 |
| BUSH, shock absorber lower | 18-12 |
| BUSH, solid | 17-11 |
| * | 18-13 |
| C.D.I. MAGNETO ASSY | 3- 1 |
| C.D.I. UNIT ASSY | 3-23 |
| CABLE, brake | 25-19 |

PARTS NAME INDEX

| DESCRIPTION | REF. NO. |
|-----------------------------|-------------|
| CABLE, clutch | 25-17 |
| CABLE, throttle 1 | 25-15 |
| CAMSHAFT | 23- 9 |
| * | 24-10 |
| CAP | 5-24 |
| CAP, case | 18- 8 |
| CAP, cleaner case 1 | 4-26 |
| CAP, gear | 25-10 |
| CAP, grip lower | 25- 8 |
| CAP, grip upper | 25- 7 |
| CAP, plunger | 5-36 |
| CAP, rubber | 25-16 |
| CARBURETOR ASSY 1 | 5- 1 |
| CARRIER BOX ASSY | 22-10 |
| CASE, chain | 17-34 |
| CHAIN, drive (D1D520V 108L) | 24-39 |
| CHAMBER, air | 4- 8 |
| CIRCLIP | 2- 4 |
| * | 9- 9 |
| * | 9-16 |
| * | 11- 5 |
| * | 11-14 |
| * | 11-22 |
| * | 18-23 |
| * | 26-13 |
| * | 34- 5 |
| * | 34-10 |
| * | 34-15 |
| * | 34-20 |
| * | 34-25 |
| CLAMP | 3-10 |
| * | 16-20 |
| * | 25-26 |
| * | 28- 7 |
| * | 30-15 |
| * | 31-11 |
| CLAMP, hose | 4-15 |
| * | 4-17 |
| * | 6-11 |
| CLIP | 4-13 |
| * | 4-14 |
| * | 4-21 |
| * | 5-21 |
| * | 5-34 |
| * | 5-39 |
| * | 9- 3 |
| * | 21-24 |
| * | 28- 3 |

PARTS NAME INDEX

| DESCRIPTION | REF. NO. |
|----------------------------|-------------|
| CLUTCH ASSY | 10- 6 |
| COIL, lighting 1 | 3- 6 |
| COIL, Pulser | 3- 7 |
| COIL, source | 3- 5 |
| COLLAR | 6-20 |
| * | 7- 7 |
| * | 7-12 |
| * | 11-26 |
| * | 16-15 |
| * | 21- 7 |
| * | 24-30 |
| * | 30- 9 |
| CONNECTING ROD ASSY | 34-26 |
| CONNECTOR | 5-28 |
| CONNECTOR, suction Pipe | 7- 9 |
| COVER | 14-23 |
| * | 18-16 |
| COVER, ball race 2 | 19-10 |
| COVER, crankcase 1 | 8- 1 |
| COVER, crankcase 2 | 8- 4 |
| COVER, crankcase 3 | 8-10 |
| COVER, dust | 26-12 |
| COVER, dust seal | 20- 8 |
| * | 20-36 |
| COVER, handle lever 1 | 25-18 |
| * | 25-20 |
| COVER, hub dust | 24-29 |
| COVER, kick lever | 9-17 |
| COVER, plunger cap | 5-37 |
| COVER, semi-double seat | 22- 2 |
| COVER, shift Pedal | 13- 6 |
| COVER, side 1 | 16- 1 |
| COVER, side 2 | 16- 7 |
| COVER, thrust 1 | 18-32 |
| COVER, thrust 2 | 17- 7 |
| CRANK 1 | 2- 7 |
| CRANK 2 | 2- 8 |
| CRANKCASE 1 | 7- 1 |
| CRANKCASE 2 | 7- 8 |
| CRANKSHAFT ASSY | 2- 6 |
| CROWN, handle | 19- 1 |
| CUP, filter | 21-17 |
| CYLINDER COMP., front fork | 20-12 |
| * | 20-40 |
| CYLINDER 1 | 1- 6 |
| DAMPER | 29-11 |
| DAMPER, headlight stay | 29- 9 |
| DAMPER, locating 1 | 14-27 |

PARTS NAME INDEX

| DESCRIPTION | REF. NO. |
|----------------------------|-------------|
| DAMPER, locating 1 | 16- 6 |
| * | 21-29 |
| DAMPER, locating 2 | 21- 2 |
| DAMPER, locating 3 | 21-28 |
| DAMPER, muffler | 6-19 |
| DAMPER, seat | 22- 6 |
| DAMPER, sub tank | 18-34 |
| DIODE | 3- 4 |
| DUMPER SUB ASSY | 18- 2 |
| ELEMENT, air cleaner | 4-22 |
| EMBLEM | 4- 9 |
| * | 16-12 |
| EMBLEM, headlight | 29-12 |
| EXHAUST PIPE ASSY 1 | 6- 1 |
| FENDER, front | 15- 1 |
| FLANGE, spacer | 24- 3 |
| FLANGE, spacer 2 | 23- 3 |
| FLAP | 15-14 |
| FLASHER RELAY ASSY | 27-21 |
| FLOAT | 5- 7 |
| FOOTREST 1 | 26-24 |
| FOOTREST 2 | 26-26 |
| FORK, shift 1 | 12-10 |
| FORK, shift 2 | 12-11 |
| FORK, shift 3 | 12-12 |
| FRAME COMP | 14- 1 |
| FRONT FLASHER LIGHT ASSY 1 | 27- 1 |
| FRONT FORK ASSY (L.H) | 20- 1 |
| FRONT FORK ASSY (R.H) | 20-29 |
| FRONT STOP SWITCH ASSY | 32-14 |
| FUEL COCK ASSY 1 | 21-12 |
| FUEL TANK COMP. | 21- 1 |
| FUSE (6V-10A) | 31-22 |
| FUSE HOLDER ASSY | 31-21 |
| GASKET | 5-18 |
| * | 7-21 |
| * | 8-16 |
| * | 20-11 |
| * | 20-23 |
| * | 20-39 |
| * | 20-52 |
| * | 21-18 |
| * | 25-13 |
| * | 34-40 |
| * | 34-41 |
| GASKET KIT | 34-32 |
| GASKET, cap | 21-26 |
| GASKET, crankcase cover | 8- 2 |

PARTS NAME INDEX

| DESCRIPTION | REF. NO. |
|--------------------------------|-------------|
| GASKET, crankcase cover | 34-37 |
| GASKET, crankcase cover 3 | 8-11 |
| * | 34-38 |
| GASKET, cylinder | 1-7 |
| * | 34-34 |
| GASKET, cylinder head 1 | 1-2 |
| * | 34-33 |
| GASKET, drain Plug | 20-24 |
| * | 20-53 |
| GASKET, exhaust Pipe | 6-3 |
| * | 34-43 |
| GASKET, flasher lens | 27-3 |
| * | 27-14 |
| GASKET, float chamber | 5-3 |
| * | 34-36 |
| GASKET, muffler | 6-10 |
| GASKET, valve seat | 4-6 |
| * | 34-35 |
| GEAR UNIT ASSY | 23-20 |
| GEAR, bevel | 25-9 |
| GEAR, kick (26T) | 9-2 |
| GEAR, Primary drive (24T) | 10-1 |
| GEAR, sProcket idle (21T) | 9-7 |
| GEAR, 1st wheel (32T) | 11-20 |
| GEAR, 2nd Pinion (15T) | 11-8 |
| GEAR, 2nd wheel (30T) | 11-12 |
| GEAR, 3rd wheel (25T) | 11-18 |
| GEAR, 3rd/4th Pinion (16T/20T) | 11-6 |
| GEAR, 4th wheel (25T) | 11-17 |
| GEAR, 5th Pinion (22T) | 11-3 |
| GEAR, 5th wheel (23T) | 11-19 |
| GEAR, 6th Pinion (24T) | 11-7 |
| GEAR, 6th wheel (21T) | 11-15 |
| GRAPHIC SET | 21-30 |
| GRIP (L.H) | 25-2 |
| GRIP (R.H) | 25-3 |
| GROMMET | 4-29 |
| * | 16-11 |
| * | 16-14 |
| * | 16-19 |
| * | 18-33 |
| * | 25-6 |
| * | 29-10 |
| GUARD, chain | 17-17 |
| GUARD, engine 1 | 14-24 |
| GUARD, engine 2 | 14-25 |
| GUARD, mud | 15-10 |
| GUIDE | 4-23 |

PARTS NAME INDEX

| DESCRIPTION | REF. NO. |
|-----------------------|-------------|
| GUIDE, cable | 5-20 |
| * | 19-16 |
| * | 20-61 |
| * | 20-66 |
| * | 9-6 |
| GUIDE, sPring | 18-20 |
| GUIDE, sPring 1 | 18-20 |
| GUIDE, sPring 2 | 18-21 |
| HANDLEBAR | 25-1 |
| HEAD, cylinder 1 | 1-1 |
| HEADLIGHT UNIT ASSY | 29-1 |
| HOLDER | 7-15 |
| HOLDER 1 | 1-15 |
| * | 20-50 |
| HOLDER, axle | 19-12 |
| HOLDER, cable 1 | 21-3 |
| HOLDER, damPer | 4-24 |
| HOLDER, Guide | 19-6 |
| HOLDER, handle upper | 32-2 |
| HOLDER, lever lower 1 | 32-1 |
| HOLDER, lever 1 | 32-9 |
| HOLDER, lever 2 | 14-28 |
| HOLDER, sPring | 18-35 |
| HOLDER, sub tank | 1-12 |
| HOOK, sPring | 31-28 |
| HORN | 4-12 |
| HOSE | 7-19 |
| * | 13-7 |
| * | 21-23 |
| * | 21-27 |
| * | 31-20 |
| * | 18-7 |
| HOUSING, seal ring | 23-1 |
| HUB, front | 24-1 |
| HUB, rear | 31-8 |
| IGNITION COIL ASSY | 20-9 |
| INNER TUBE COMP.1 | 20-37 |
| * | 5-6 |
| JET, main (#390) | 5-6 |
| JET, main (#400) | 5-6 |
| JET, main (#410) | 5-6 |
| JET, Pilot (#50.0) | 5-4 |
| JOINT, cable | 25-24 |
| JOINT, carburetor | 4-7 |
| JOINT, chain | 24-40 |
| KEY, straight | 10-2 |
| * | 12-5 |
| KEY, woodruff | 2-15 |
| KICK AXLE ASSY | 9-1 |
| KICK CRANK ASSY | 9-11 |

PARTS NAME INDEX

| DESCRIPTION | REF. NO. |
|----------------------|-------------|
| LEAD WIRE ASSY | 3-9 |
| LENS, flasher | 27-2 |
| * | 27-13 |
| LENS, taillight | 30-3 |
| LEVER 1 | 32-3 |
| LEVER 2 | 32-10 |
| LEVER, camshaft | 24-12 |
| LEVER, camshaft 1 | 23-10 |
| LEVER, cock | 21-13 |
| LEVER, starter 1 | 5-44 |
| MAIN SWITCH ASSY | 31-24 |
| METAL, slide 1 | 20-3 |
| * | 20-31 |
| NEEDLE | 5-33 |
| NEEDLE VALVE ASSY | 5-8 |
| NET, filter 2 | 21-20 |
| NOZZLE, main | 5-5 |
| NUT | 1-5 |
| * | 1-10 |
| * | 3-20 |
| * | 9-18 |
| * | 10-4 |
| * | 10-17 |
| * | 10-23 |
| * | 11-29 |
| * | 17-3 |
| * | 17-14 |
| * | 18-18 |
| * | 18-26 |
| * | 19-11 |
| * | 19-15 |
| * | 20-55 |
| * | 20-63 |
| * | 24-38 |
| * | 25-21 |
| * | 26-23 |
| * | 27-18 |
| * | 27-20 |
| NUT, adjust | 29-8 |
| NUT, adjusting | 18-14 |
| NUT, cable adjusting | 5-19 |
| * | 5-26 |
| NUT, castle | 23-23 |
| NUT, crown | 27-8 |
| * | 27-11 |
| NUT, flange | 19-4 |
| NUT, nylon | 17-26 |
| NUT, self-locking | 14-14 |

PARTS NAME INDEX

| DESCRIPTION | REF. NO. |
|-------------------|-------------|
| NUT, self-locking | 24-27 |
| NUT, slotted | 26- 4 |
| NUT, u | 14-11 |
| * | 14-21 |
| * | 17-39 |
| * | 22-14 |
| * | 26-29 |
| * | 32- 6 |
| * | 32-13 |
| NUT, wing | 4-25 |
| * | 26-21 |
| O-RING | 5-32 |
| * | 8-14 |
| * | 10- 5 |
| * | 20-22 |
| * | 20-51 |
| * | 34-39 |
| * | 34-42 |
| OIL SEAL | 2-14 |
| * | 2-17 |
| * | 9-10 |
| * | 10-26 |
| * | 11-25 |
| * | 13-10 |
| * | 17- 9 |
| * | 17-10 |
| * | 20- 4 |
| * | 20-32 |
| * | 24- 6 |
| PACKING | 25-14 |
| PEDAL, brake | 26- 6 |
| * | 26- 7 |
| PEDAL, shift | 13- 2 |
| * | 13- 3 |
| PIN | 13- 5 |
| PIN, clevis | 18-29 |
| * | 24-15 |
| * | 24-33 |
| * | 25-22 |
| * | 26- 9 |
| * | 26-16 |
| PIN, cotter | 18-28 |
| * | 18-31 |
| * | 23-24 |
| * | 24-17 |
| * | 24-34 |
| * | 25-25 |
| * | 26- 5 |

PARTS NAME INDEX

| DESCRIPTION | REF. NO. |
|---------------------------|-------------|
| PIN, cotter | 26-11 |
| * | 26-18 |
| PIN, crank 1 | 2- 9 |
| * | 34-28 |
| PIN, dowel | 1-11 |
| * | 7-11 |
| * | 12-13 |
| * | 13-11 |
| * | 18-15 |
| PIN, float | 5- 9 |
| PIN, Piston | 2- 3 |
| * | 34- 4 |
| * | 34- 9 |
| * | 34-14 |
| * | 34-19 |
| * | 34-24 |
| PIPE | 5-11 |
| * | 5-14 |
| PIPE, choke | 6- 2 |
| PIPE, manifold | 4-10 |
| PIPE, outlet | 6-13 |
| PISTON (STD) | 2- 1 |
| * | 2- 1 |
| * | 34- 2 |
| * | 34- 2 |
| PISTON (1ST O/S 0.25MM) | 2- 1 |
| * | 34- 7 |
| PISTON (2ND O/S 0.50MM) | 2- 1 |
| * | 34-12 |
| PISTON (3RD O/S 0.75MM) | 2- 1 |
| * | 34-17 |
| PISTON (4TH O/S 1.00MM) | 2- 1 |
| * | 34-22 |
| PISTON ASSY (STD) | 34- 1 |
| PISTON ASSY (1ST D/S) | 34- 6 |
| PISTON ASSY (2ND D/S) | 34-11 |
| PISTON ASSY (3RD D/S) | 34-16 |
| PISTON ASSY (4TH D/S) | 34-21 |
| PISTON RING SET (STD) | 2- 2 |
| * | 34- 3 |
| PISTON RING SET (1ST D/S) | 2- 2 |
| * | 34- 8 |
| PISTON RING SET (2ND D/S) | 2- 2 |
| * | 34-13 |
| PISTON RING SET (3RD D/S) | 2- 2 |
| * | 34-18 |
| PISTON RING SET (4TH D/S) | 2- 2 |
| * | 34-23 |

PARTS NAME INDEX

| DESCRIPTION | REF. NO. |
|-------------------------------|-------------|
| PLATE | 5-29 |
| * | 7-17 |
| * | 8- 8 |
| * | 16-18 |
| PLATE, bearing cover | 7- 5 |
| * | 7-13 |
| PLATE, brake shoe | 23- 6 |
| * | 24- 7 |
| PLATE, cleaner case fitting | 4-32 |
| PLATE, clutch 2 | 10-10 |
| PLATE, friction | 10-11 |
| PLATE, indicator | 23-13 |
| * | 24-18 |
| PLATE, lever fitting | 21-14 |
| PLATE, Pressure 1 | 10- 9 |
| PLATE, side 1 | 12- 3 |
| PLATE, starter sPring | 5-41 |
| PLATE, thrust 1 | 10-15 |
| PLUG | 7-10 |
| PLUG CAP ASSY | 31-12 |
| * | 31-12 |
| PLUG, blind | 25-31 |
| PLUG, drain | 20-26 |
| * | 20-57 |
| PLUG, oil level | 8-13 |
| PLUG, screw | 5-31 |
| PLUG, sPark (chanPion N2G) | 1- 3 |
| PLUG, straight screw | 7-20 |
| PLUNGER, starter | 5-42 |
| PRIMARY DRIVEN GEAR COMP.(63T | 10- 7 |
| PROTECTOR, chain | 17-30 |
| PULLER, chain 1 | 24-32 |
| PULLER, chain 2 | 24-31 |
| PUSH LEVER ASSY | 10-29 |
| REAR ARM COMP. | 17- 1 |
| REAR FENDER COMP. | 15- 6 |
| REAR FLASHER LIGHT ASSY 1 | 27-12 |
| RECTIFIER ASSY | 31- 4 |
| REED VALVE ASSY | 4- 1 |
| REED, valve | 4- 2 |
| RIM (1.60-21) | 23-14 |
| RIM (2.50-18) | 24-19 |
| RIM, taillight | 30- 4 |
| RING | 5-30 |
| RING, leaf | 25- 5 |
| RING, Piston | 20-14 |
| * | 20-42 |
| RING, snap | 20- 6 |

PARTS NAME INDEX

| DESCRIPTION | REF. NO. |
|----------------------|-------------|
| RING, snAP | 20-34 |
| ROD, brake | 26-15 |
| ROD, connecting | 2-10 |
| * | 34-27 |
| ROD, Push | 18-5 |
| ROD, Push 1 | 10-18 |
| ROD, Push 2 | 10-24 |
| ROTOR ASSY | 3-2 |
| SCREW | 10-20 |
| * | 21-22 |
| SCREW, air adjusting | 5-23 |
| SCREW, blind | 21-10 |
| * | 25-11 |
| SCREW, boot band | 20-27 |
| * | 20-58 |
| SCREW, flat head | 7-6 |
| * | 12-6 |
| SCREW, lens fitting | 29-6 |
| SCREW, lever fitting | 21-19 |
| SCREW, Pan head | 3-11 |
| * | 3-13 |
| * | 3-15 |
| * | 3-17 |
| * | 3-18 |
| * | 4-4 |
| * | 5-12 |
| * | 6-14 |
| * | 6-17 |
| * | 7-14 |
| * | 7-16 |
| * | 7-18 |
| * | 8-3 |
| * | 8-5 |
| * | 8-9 |
| * | 8-15 |
| * | 14-29 |
| * | 16-3 |
| * | 16-8 |
| * | 16-21 |
| * | 17-22 |
| * | 17-31 |
| * | 17-35 |
| * | 18-4 |
| * | 18-36 |
| * | 19-13 |
| * | 21-32 |
| * | 22-12 |
| * | 25-12 |

PARTS NAME INDEX

| DESCRIPTION | REF. NO. |
|-----------------------------|-------------|
| SCREW, Pan head | 25-27 |
| * | 30-7 |
| * | 30-11 |
| * | 31-2 |
| * | 31-5 |
| * | 31-9 |
| * | 31-26 |
| * | 32-7 |
| * | 32-16 |
| * | 32-19 |
| SCREW, Pan head with washer | 5-15 |
| SCREW, Panhead taPPing | 27-5 |
| * | 27-16 |
| SCREW, throttle | 5-25 |
| SCREW, with washer | 10-13 |
| SEAL | 4-20 |
| * | 4-27 |
| SEAL 1 | 14-26 |
| SEAL, camshaft | 23-12 |
| * | 24-11 |
| SEAL, cock | 21-16 |
| SEAL, dust | 18-6 |
| * | 20-7 |
| * | 20-35 |
| SEAL, Guard | 17-12 |
| SEAL, mud Guard | 15-15 |
| SEAT, battery | 31-19 |
| SEAT, sPring | 5-35 |
| * | 26-20 |
| SEAT, sPring lower | 18-22 |
| SEAT, sPring uPPer | 18-17 |
| * | 20-16 |
| * | 20-44 |
| SEGMENT | 12-2 |
| SEMI-DOUBLE SEAT ASSY | 22-1 |
| SHAFT | 14-15 |
| SHAFT, Pivot | 17-13 |
| SHIFT CAM ASSY | 12-1 |
| SHIFT SHAFT ASSY | 13-1 |
| SHIM (0.3T) | 17-6 |
| SHIM, camshaft | 24-14 |
| SHOCK ABSORBER ASSY, rear | 18-1 |
| SILENCER, exhaust | 6-12 |
| SILENCER, intake 2 | 4-34 |
| SOCKET CORD ASSY | 29-3 |
| SPACER | 3-8 |
| * | 13-12 |
| * | 17-40 |

PARTS NAME INDEX

| DESCRIPTION | REF. NO. |
|------------------------|-------------|
| SPACER | 20-28 |
| * | 20-59 |
| * | 23-2 |
| SPACER 1 | 10-14 |
| SPACER (L=80) | 33-3 |
| SPACER, bead | 23-19 |
| * | 24-24 |
| SPACER, bearing | 24-2 |
| SPANNER, sPecial | 22-16 |
| SPEEDOMETER ASSY | 28-1 |
| * | 28-1 |
| SPEEDOMETER CABLE ASSY | 28-8 |
| SPINDLE, taPer | 20-10 |
| * | 20-38 |
| SPOKE SET, front | 23-15 |
| SPOKE SET, rear | 24-20 |
| SPRING | 18-19 |
| * | 21-15 |
| * | 33-1 |
| * | 33-1 |
| SPRING, comPression | 4-18 |
| * | 9-14 |
| * | 10-12 |
| * | 26-19 |
| SPRING, front fork | 20-15 |
| * | 20-43 |
| * | 33-2 |
| * | 33-2 |
| SPRING, PlunGer | 5-40 |
| SPRING, rebound | 20-13 |
| * | 20-41 |
| SPRING, screw | 29-5 |
| SPRING, tension | 6-4 |
| * | 23-8 |
| * | 24-9 |
| * | 26-2 |
| SPRING, throttle stoP | 5-22 |
| SPRING, throttle valve | 5-17 |
| SPRING, torsion | 9-5 |
| * | 10-28 |
| * | 12-8 |
| * | 13-4 |
| * | 13-13 |
| * | 26-8 |
| * | 26-14 |
| * | 26-30 |
| SPROCKET, drive (13T) | 11-27 |
| SPROCKET, drive (14T) | 11-27 |
| SPROCKET, drive (15T) | 11-27 |
| SPROCKET, driven (46T) | 24-25 |

PARTS NAME INDEX

| DESCRIPTION | REF. NO. |
|------------------------------|----------|
| SPROCKET, driven (48T) | 24-25 |
| SPROCKET, driven (50T) | 24-25 |
| SPROCKET, driven (52T) | 24-25 |
| STAND, side | 26- 1 |
| STAY 1 | 21-31 |
| STAY 2 | 4-33 |
| STAY, flasher 1 | 27- 6 |
| * | 27- 9 |
| STAY, muffler 1 | 6-23 |
| STAY, muffler 2 | 6- 5 |
| STOP SWITCH ASSY | 31-23 |
| STOPPER LEVER ASSY | 12- 7 |
| STOPPER, bump | 18- 9 |
| STOPPER, reed valve | 4- 3 |
| SUPPORT, bump stop | 18-10 |
| SUPPORT, chain | 17-18 |
| SWITCH, handle 4 | 32-18 |
| TAILLIGHT ASSY | 30- 1 |
| TENSIONER | 14-16 |
| TIRE (3.00-21) | 23-16 |
| TIRE (5.10-18) | 24-21 |
| TOOL KIT | 22-15 |
| TOP, mixing chamber | 5-43 |
| TUBE (3.00-21) | 23-17 |
| TUBE (4.50-18) | 24-22 |
| TUBE, outer 1 | 20- 2 |
| TUBE, outer 2 | 20-30 |
| TUBE, throttle guide | 25- 4 |
| UNDER BRACKET COMP. | 20-60 |
| UPPER BRACKET SUB ASSY | 18-11 |
| VALVE, throttle (2.0) | 5-27 |
| VOLTAGE REGULATOR ASSY | 31- 1 |
| WASHER | 2-12 |
| * | 5-16 |
| * | 11- 9 |
| * | 11-16 |
| * | 15- 5 |
| * | 16- 2 |
| * | 18-38 |
| * | 22- 9 |
| * | 24-37 |
| * | 30- 6 |
| * | 30-10 |
| * | 34-30 |
| WASHER, lock | 10-16 |
| * | 11-28 |
| WASHER, needle valve | 5-10 |
| WASHER, oil seal | 20- 5 |

PARTS NAME INDEX

| DESCRIPTION | REF. NO. |
|------------------------|----------|
| WASHER, oil seal | 20-33 |
| WASHER, Plain | 6- 6 |
| * | 14-10 |
| * | 14-13 |
| * | 14-31 |
| * | 17-33 |
| * | 17-41 |
| * | 26-17 |
| * | 30-13 |
| WASHER, Plate | 1-18 |
| * | 3-19 |
| * | 3-22 |
| * | 6- 9 |
| * | 6-16 |
| * | 6-18 |
| * | 6-21 |
| * | 6-26 |
| * | 8- 7 |
| * | 9- 4 |
| * | 9- 8 |
| * | 9-15 |
| * | 10-22 |
| * | 10-27 |
| * | 11- 4 |
| * | 11-13 |
| * | 11-21 |
| * | 13- 8 |
| * | 14- 7 |
| * | 14-18 |
| * | 14-19 |
| * | 14-22 |
| * | 15- 2 |
| * | 15- 9 |
| * | 15-13 |
| * | 16- 5 |
| * | 16-10 |
| * | 17-21 |
| * | 17-24 |
| * | 17-29 |
| * | 17-37 |
| * | 17-38 |
| * | 18-27 |
| * | 18-30 |
| * | 19-14 |
| * | 20-65 |
| * | 21- 6 |
| * | 21- 8 |
| * | 21-21 |

PARTS NAME INDEX

| DESCRIPTION | REF. NO. |
|----------------------|----------|
| WASHER, Plate | 22-13 |
| * | 23-22 |
| * | 24-16 |
| * | 24-28 |
| * | 25-23 |
| * | 26-10 |
| * | 28- 6 |
| * | 29- 7 |
| * | 31- 7 |
| * | 31-25 |
| * | 32- 4 |
| * | 32-11 |
| WASHER, sPring | 1-17 |
| * | 3-12 |
| * | 3-14 |
| * | 3-16 |
| * | 3-21 |
| * | 4- 5 |
| * | 4-31 |
| * | 5-13 |
| * | 6- 8 |
| * | 6-15 |
| * | 6-25 |
| * | 8- 6 |
| * | 10- 3 |
| * | 10-21 |
| * | 14- 6 |
| * | 14-30 |
| * | 15- 4 |
| * | 15- 8 |
| * | 15-12 |
| * | 16- 4 |
| * | 16- 9 |
| * | 16-17 |
| * | 16-22 |
| * | 17-15 |
| * | 17-20 |
| * | 17-23 |
| * | 17-28 |
| * | 17-32 |
| * | 17-36 |
| * | 17-43 |
| * | 18-37 |
| * | 20-56 |
| * | 20-64 |
| * | 21- 5 |
| * | 21-33 |
| * | 22- 8 |

