

YAMAHA

PARTS LIST

MODEL IT400F

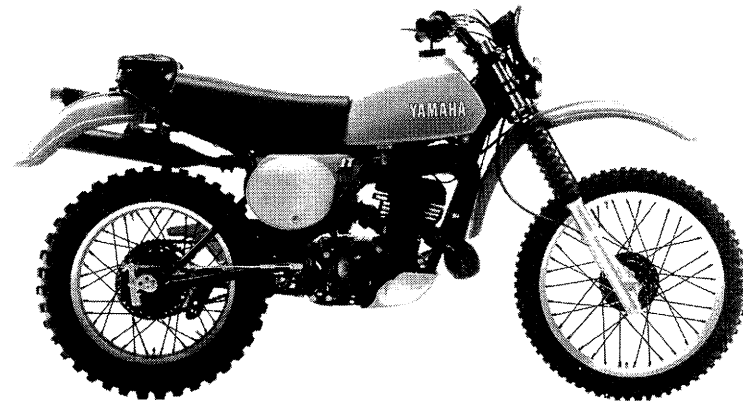
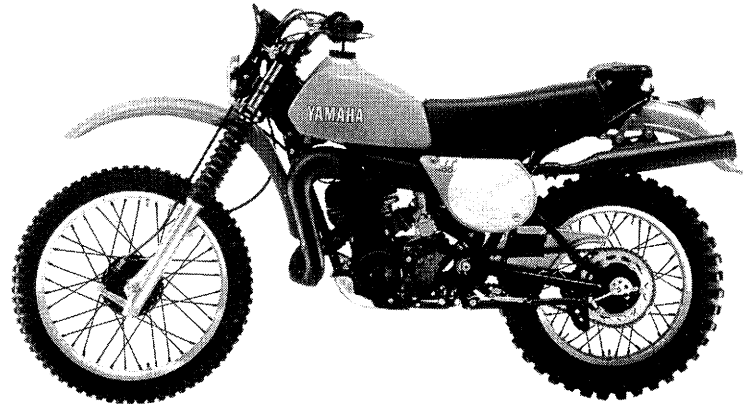
(MODEL CODE 2X8)

LIT-10012-X8-00

COPY RIGHT: ALL RIGHTS RESERVED
NO PART OF THIS PUBLICATION MAY BE REPRODUCED WITHOUT PERMISSION.

2X8-28198-65





NOTICE

ALL PART NUMBERS CONTAINED IN THIS CATALOGUE ARE COMPRISED OF TEN DIGITS. WHEN ORDERING, PLEASE ADD TWO ZEROS TO THE END OF EACH PART NUMBER REQUIRED TO CONVERT THE TEN DIGITS INTO THE NEW TWELVE DIGIT NUMBERS.



FOREWORD

This Parts List is related to the parts in use for the Yamaha IT400F. When you are ordering replacement parts for the IT400F, refer to this Parts List and quote both part numbers and part names correctly.

1. Modifications or additions which have been made after issue of the Parts List will be announced in the Yamaha Parts News.

It is advisable that according to the Yamaha Parts News you make necessary corrections to the Parts List on hand to keep it up-to-date.

2. Abbreviations

The following abbreviations are used in this Parts List.

U.R. Use size (thickness) and/or number as required.

U.N. Use as many as you need.

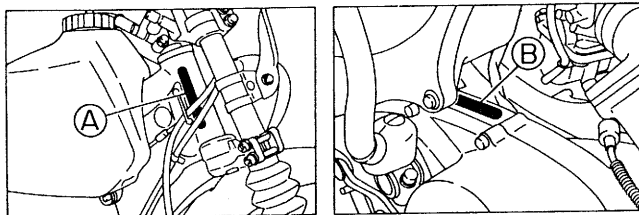
F# Frame No. (Applicable machine No.)

3. Parts, which are to be supplied in the form of assemblies, are listed with an indentation of one letter's space, and a dot (.) is put against the name of each part.

EXAMPLE CARBURETOR ASS'Y
 . JET, pilot
 . NOZZLE, main

4. Initial Serial No. and Color Code

(A) Frame Serial No.	2X8-000101 and following
(B) Engine Serial No.	2X8-000101 and following



Color Code	Color Name
33	Yamaha Black
91	Uni-Chrome Plated
93	Chrome Plated
98	Low Gloss Black
R4	Heat Proof Black

CONTENTS

1946-1950

ENGINE

Fig. 1	Cylinder Head - Cylinder	1
Fig. 2	Crankcase	2
Fig. 3	Crankcase Cover	3
Fig. 4	Crank - Piston	4
Fig. 5	Clutch	5
Fig. 6	Transmission	6
Fig. 7	Shifter 1	8
Fig. 8	Shifter 2	9
Fig. 9	Kick Starter	10
Fig. 10	Intake	11
Fig. 11	Carburetor	12
Fig. 12	Exhaust	14
Fig. 13	C.D.I. Magneto	15

CHASSIS

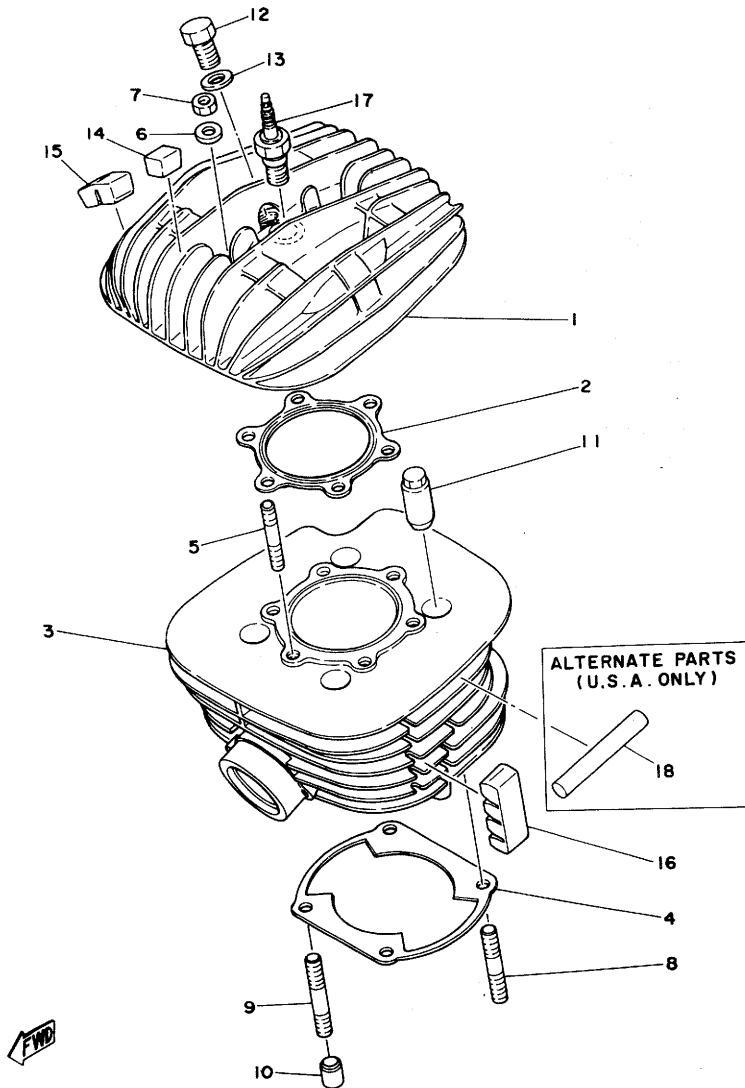
Fig. 14	Frame - Side Cover	16
Fig. 15	Rear Arm - Chain Case	18
Fig. 16	Rear Cushion	20
Fig. 17	Stand - Footrest - Brake Pedal	21
Fig. 18	Front Fender - Rear Fender	22
Fig. 19	Front Fork	23
Fig. 20	Steering	25
Fig. 21	Handle - Wire	26
Fig. 22	Fuel Tank	28
Fig. 23	Seat	29
Fig. 24	Front Wheel	30
Fig. 25	Rear Wheel	32
Fig. 26	Head Lamp	34
Fig. 27	Speedometer	35
Fig. 28	Tail Lamp	36
Fig. 29	Electrical	37

REPAIR KIT

Fig. 30	Repair Kit	40
---------	------------	----

NUMERICAL INDEX

Fig. 1 CYLINDER HEAD · CYLINDER



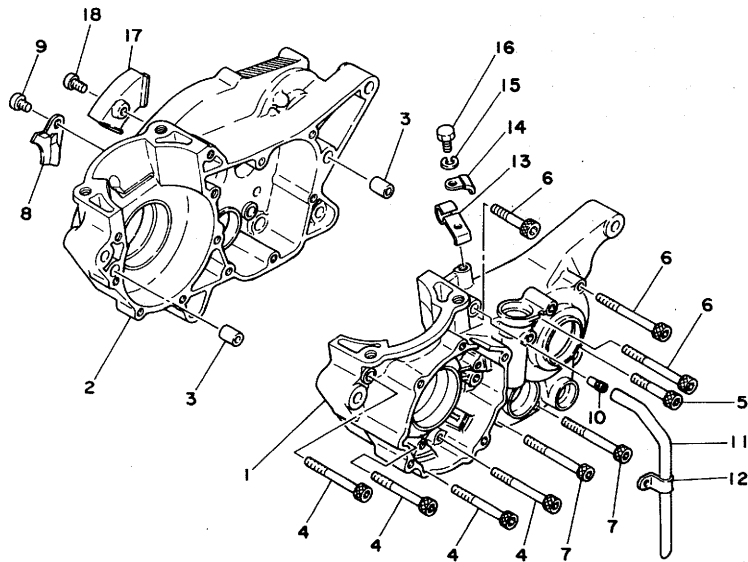
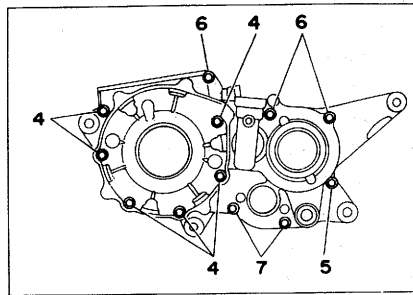
Ref.No.	Part No.	Description	Q'ty	Remarks
✓ 1	2X8-11111-00 ✓	HEAD, cylinder	1	
2	2X5-11181-00 ✓	GASKET, cylinder head	1	
3	2X5-11311-00 ✓	CYLINDER	1	
4	2X5-11351-00 ✓	GASKET, cylinder	1	
5	90116-08262 ✓	BOLT, stud	6	
6	90201-03100 84211-05300 ✓	WASHER, holding (84211-05300)	6	
7	95301-08600 ✓	NUT, hexagon	6	
8	90116-10263 ✓	BOLT, stud	2	
9	90116-10258 ✓	BOLT, stud	2	
10	91810-16016 ✓	PIN, dowel	2	
11	90179-10201 ✓	NUT	4	
12	90340-14022 ✓	PLUG (90340-14022)	1	
13	214-11198-01 ✓	GASKET	1	
14	498-11161-00 ✓	ABSORBER 1	2	
15	1W2-11161-00 ✓	ABSORBER 1	2	
✓ 16	2N6-11127-00	ABSORBER 3	2	
17	B-8ES	PLUG, spark (B-8ES)	1	OPTIONAL

~~ALTERNATE PARTS (U.S.A. ONLY)~~

~~1W6-11161-00 ABSORBER 1 10~~

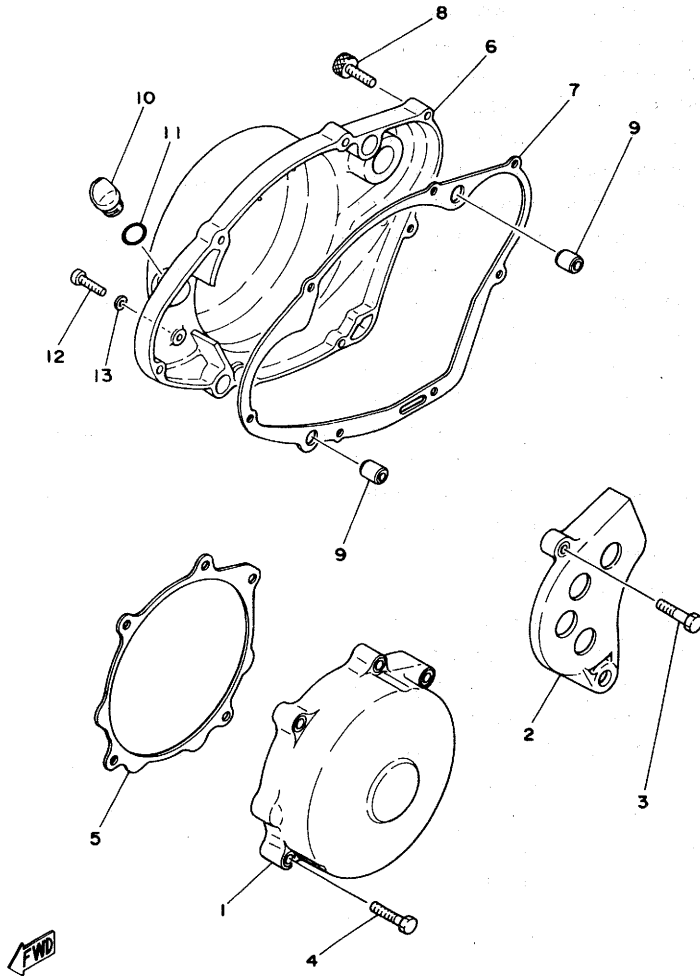
* The parts marked with * in the part No. column are not supplied with by Yamaha, those have to be found locally.

Fig. 2 CRANKCASE



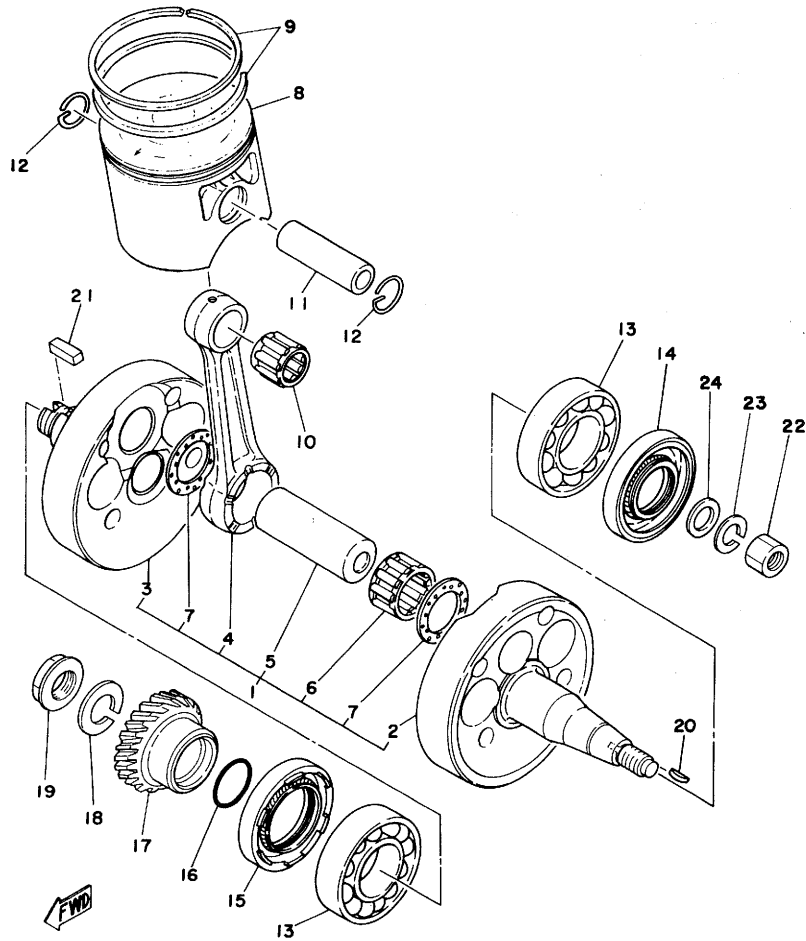
Ref.No.	Part No.	Description	Q'ty	Remarks
2- 1	2X5-15111-00 ✓	CASE, crank left	1	
2	2X5-15121-00 ✓	CASE, crank right	1	
3	91830-22016 ✓	PIN, dowel (8-12-16)	2	
4	91316-06065 ✓	BOLT	6	
5	91316-06045 ✓	BOLT	1	
6	91316-06075 ✓	BOLT	3	
7	91316-06070 ✓	BOLT	2	
✓ 8	2X5-15118-00 ✓	HOLDER	1	
9	92501-08010 ✓	SCREW, panhead	1	
10	137-13115-00 ✓	CONNECTER, suction pipe	1	
✓ 11	90445-08346 ✓	HOSE	1	
✓ 12	90462-08043 ✓	CLAMP	1	
✓ 13	2K7-15441-02 ✓	HOLDER, clutch wire	1	
✓ 14	90462-08042 ✓	CLAMP	1	
15	92901-06100 ✓	WASHER, spring	1	
16	97321-06014 ✓	BOLT, hexagon	1	
17	2K7-15113-00 ✓	PLATE	1	
18	92501-06010 ✓	SCREW, panhead	1	

Fig. 3 CRANKCASE COVER



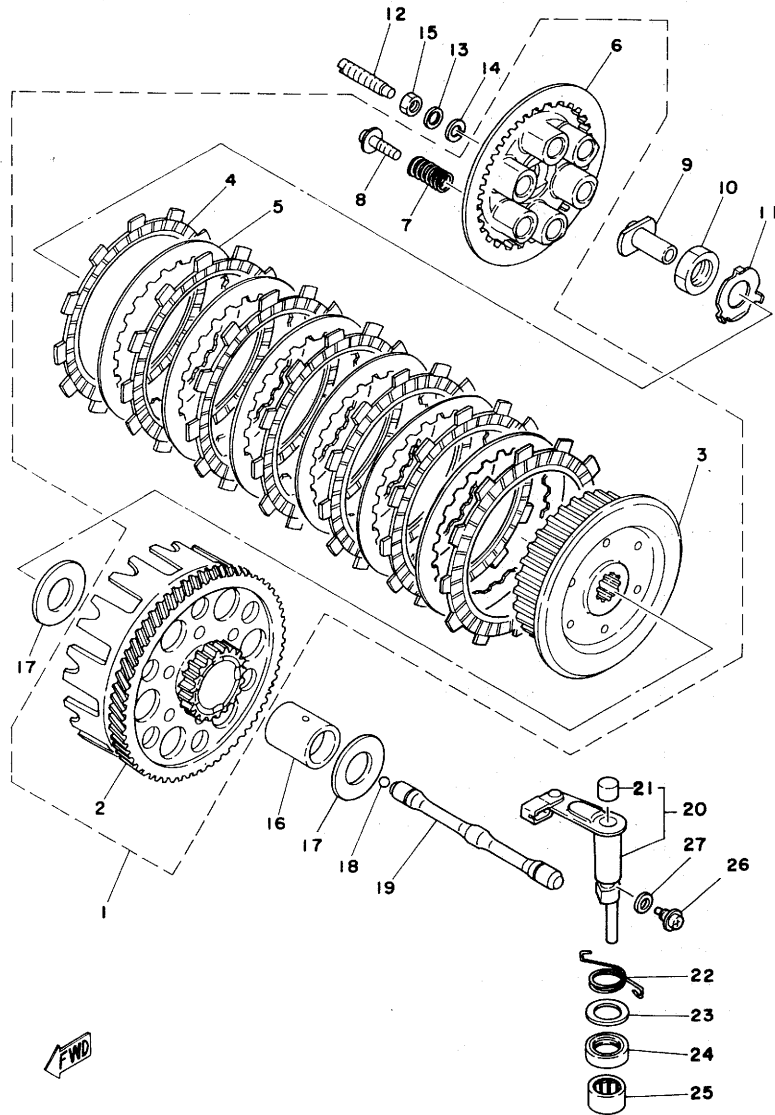
Ref.No.	Part No.	Description	Q'ty	Remarks
3-1	2X7-15411-00 ✓	COVER, crankcase left 1	1	
2	2K7-15421-00 ✓	COVER, crankcase left 2	1	
3	91316-06025 ✓	BOLT	1	
4	91316-06030 ✓	BOLT	5	
5	2X7-15451-00 ✓	GASKET, crankcase cover left 1	1	
6	2K7-15431-01 ✓	COVER, crankcase right	1	
7	2K7-15462-00 ✓	GASKET, crankcase cover right	1	
8	91316-06025 ✓	BOLT	7	
9	91830-22016 ✓	PIN, dowel (8.4x12=16)	2	
10	1G8-15362-00 ✓	PLUG, oil	1	
11	93210-14104 ✓	O-RING (2.4x13.8)	1	
12	92501-06008 ✓	SCREW, panhead	1	
13	90430-06016 ✓	GASKET (8.3x13.8=00)	1	

Fig. 4 CRANK · PISTON



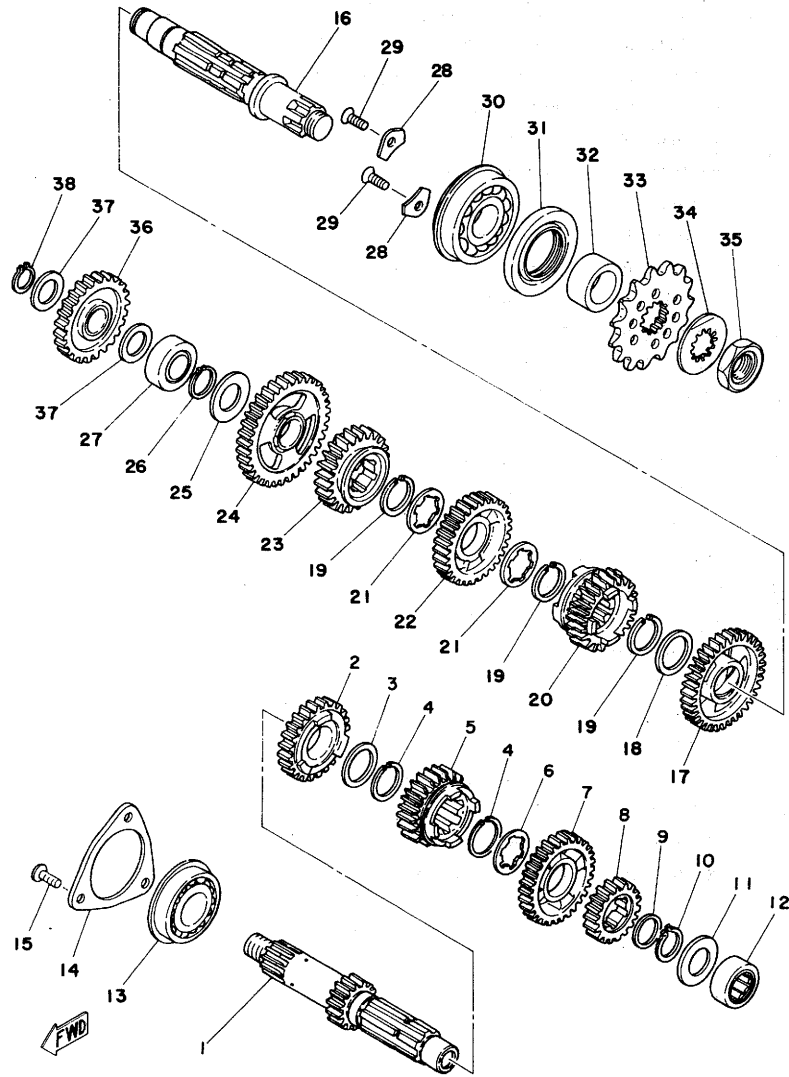
Ref.No.	Part No.	Description	Q'ty	Remarks
4- 1	2X5-11400-00 ✓	CRANK ASS'Y	1	
2	2X5-11412-00 ✓	. CRANK, left	1	
3	2X5-11422-00 ✓	. CRANK, right	1	
4	2X5-11651-10 ✓	. ROD, connecting	1	
5	2X5-11681-00 ✓	. PIN, crank	1	
6	93310-42541 ✓	. BEARING, con-rod big end	1	
7	90209-25085 ✓	. WASHER (275-11685-00)	2	
8	2X8-11631-00-96 ✓	PISTON (84.96mm STD)		
	2X8-11631-00-97 ✓	PISTON (84.97mm STD)	1 UR	
	2X8-11635-00 ✓	PISTON (85.25mm 1st O.S)	1 UR	Alternate Parts
	2X8-11636-00 ✓	PISTON (85.50mm 2nd O.S)	1 UR	Alternate Parts
	2X8-11637-00 ✓	PISTON (85.75mm 3rd O.S)	1 UR	Alternate Parts
	2X8-11638-00 ✓	PISTON (86.00mm 4th O.S)	1 UR	Alternate Parts
9	2X8-11610-00 ✓	PISTON RING SET (STD)	1 UR	
	2X8-11610-10 ✓	PISTON RING SET (1st O.S)	1 UR	Alternate Parts
	2X8-11610-20 ✓	PISTON RING SET (2nd O.S)	1 UR	Alternate Parts
	2X8-11610-30 ✓	PISTON RING SET (3rd O.S)	1 UR	Alternate Parts
	2X8-11610-40 ✓	PISTON RING SET (4th O.S)	1 UR	Alternate Parts
10	93310-418E9 ✓	BEARING, con-rod small end	1	
11	1W4-11633-00 ✓	PIN, piston	1	
12	93450-19052 ✓	CIRCLIP	2	
13	93306-30615 ✓	BEARING (6306C4)	2	
14	93103-30092 ✓	OIL SEAL (SW-30-55-10)	1	
15	93103-40091 ✓	OIL SEAL (SW-40-55-10)	1	
16	93210-29282 ✓	O-RING (19-29-5)	1	
17	2X5-16111-00 ✓	GEAR, primary drive	1	
18	92901-18100 ✓	WASHER, spring	1	
19	90179-18172 ✓	NUT	1	
20	90280-05013 ✓	KEY, woodruff	1	
21	90282-07019 ✓	KEY, straight	1	
22	90170-12067 ✓	NUT, hexagon (214-11555-01)	1	
23	92901-12100 ✓	WASHER, spring	1	
24	90201-12593 ✓	WASHER, plate	1	

Fig. 5 CLUTCH



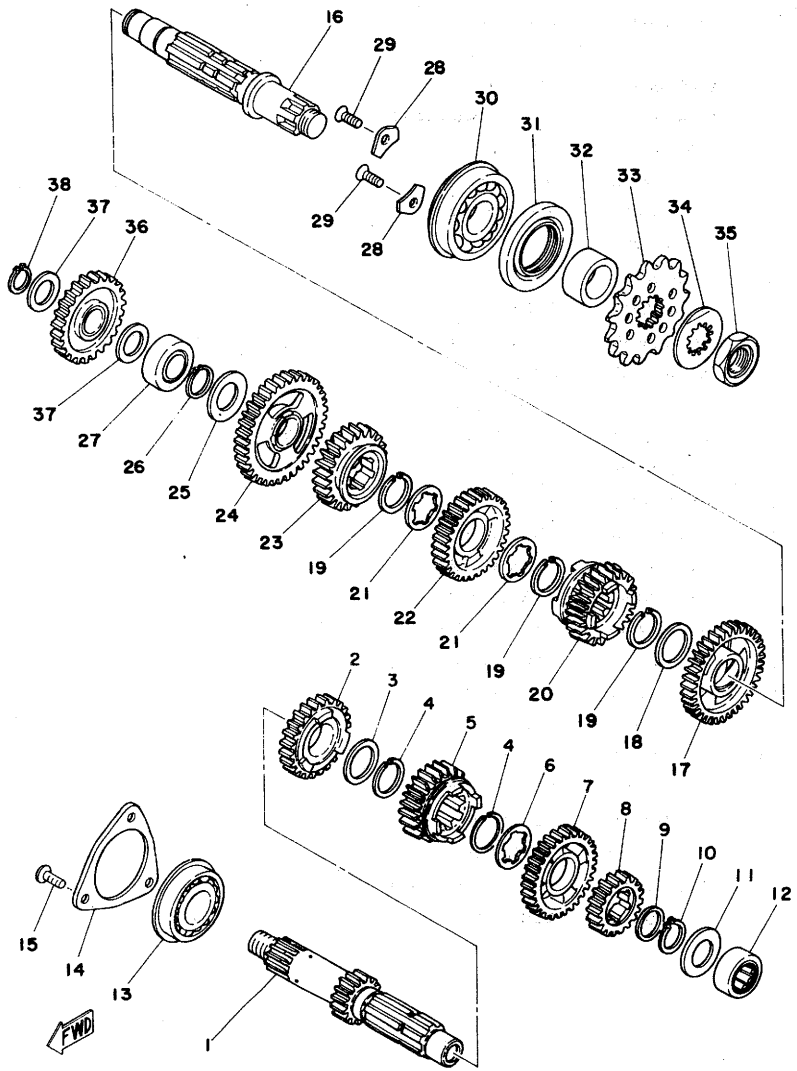
Ref.No.	Part No.	Description	Q'ty	Remarks
5- 1	2X5-16301-00 ✓	CLUTCH ASS'Y	1	
2	2K7-16150-00 ✓	PRIMARY DRIVEN GEAR COMP.	1	
3	2X5-16371-00 ✓	BOSS, clutch	1	
4	383-16321-00 ✓	PLATE, friction	7	
5	360-16325-00 ✓	PLATE, clutch	6	
6	1M1-16351-00 ✓	PLATE, pressure	1	
7	90501-24408 ✓	SPRING, compression	6	
8	90159-06016 ✓	SCREW, with washer	6	
9	1M1-16356-00 ✓	ROD, push 1	1	
10	90170-20195 ✓	NUT	1	
11	90215-20125 ✓	WASHER, lock	1	
12	90149-08105 ✓	SCREW	1	
13	90201-08092 ✓	WASHER, plate	1	
14	92901-08100 ✓	WASHER, spring	1	
15	95311-08700 ✓	NUT, hexagon	1	
16	2K7-16181-00 ✓	SPACER	1	
17	2K7-16154-00 ✓	PLATE, thrust 1	2	
18	93545-32029 15/32 INCH BALL- 15/32 inch		1	
19	1W4-16357-00 ✓	ROD, push 2	1	
20	2X4-16380-00 ✓	PUSH LEVER ASS'Y	1	
21	214-17481-00 ✓	PLUG	1	
22	90508-14373 ✓	SPRING, torsion	1	
23	90201-17327 ✓	WASHER, plate	1	
24	93102-17004 ✓	OIL SEAL (SD-17-28-6)	1	
25	93315-21721 ✓	BEARING	1	
26	90149-08108 ✓	SCREW	1	
27	90430-08069 ✓	GASKET (425-16382-00)	1	

Fig. 6 TRANSMISSION



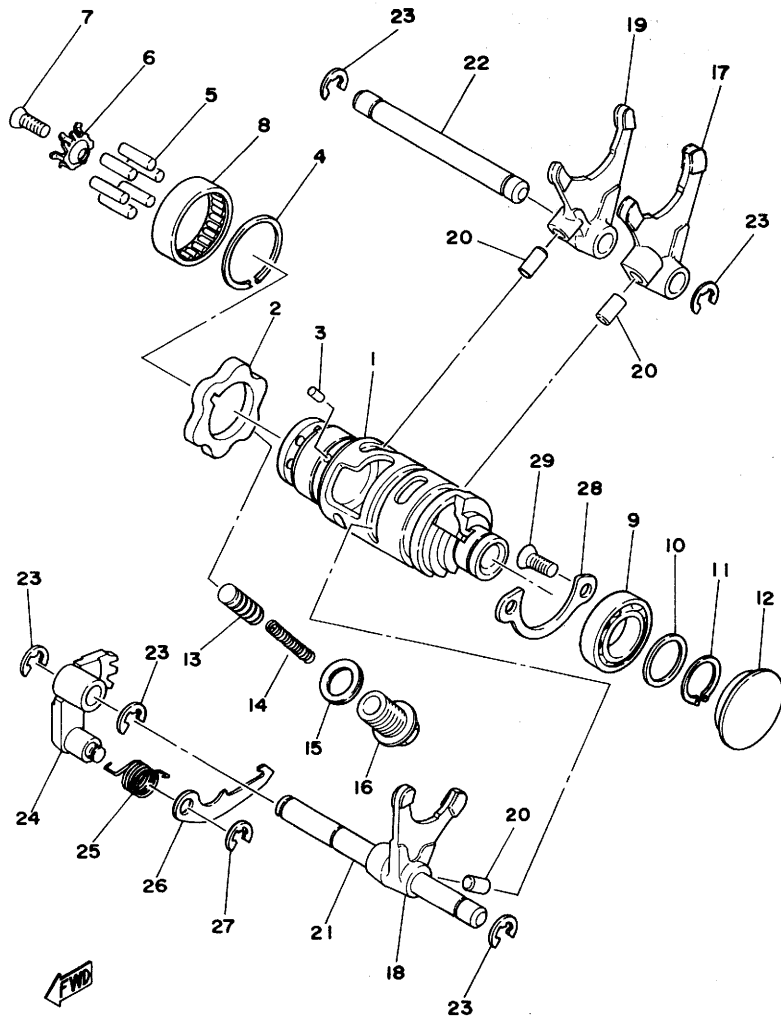
Ref.No.	Part No.	Description	Q'ty	Remarks
6-1	2X8-17411-00	AXLE, main (12T)	1	
2	2X8-17141-00	GEAR, 4th pinion (22T)	1	
3	90201-25287	WASHER, plate	1	
4	93440-25019	CIRCLIP (25- 20 special)	2	
5	2X5-17131-00	GEAR, 3rd pinion (19T)	1	
6	90209-22082	WASHER (434-17216-00)	1	
7	2X8-17151-01	GEAR, 5th pinion (28T)	1	
8	2X5-17121-00	GEAR, 2nd pinion (16T)	1	
9	90201-20613	WASHER, plate	1	
10	93410-20038	CIRCLIP (S-20)	1	
11	90201-20278	WASHER, plate (168-17116-00)	1	
12	93311-62035	BEARING	1	
13	93306-20535	BEARING (6205)	1	
14	1W4-15383-00	PLATE, bearing cover	1	
15	92701-06012	SCREW, flathead	3	
16	2X5-17421-00	AXLE, drive	1	
17	2X5-17221-00	GEAR, 2nd wheel (28T)	1	
18	90201-25287	WASHER, plate	1	
19	93440-25019	CIRCLIP (25- 20 special)	3	
20	2X8-17251-01	GEAR, 5th wheel (22T)	1	
21	90209-22082	WASHER (434-17216-00)	2	
22	2X5-17231-00	GEAR, 3rd wheel (25T)	1	
23	2X8-17241-00	GEAR, 4th wheel (22T)	1	
24	2X8-17211-00	GEAR, 1st wheel (32T)	1	
25	90201-20278	WASHER, plate (168-17116-00)	1	
26	93410-20038	CIRCLIP (S-20)	1	
27	93311-62035	BEARING	1	
28	2K7-15383-00	PLATE, bearing cover	2	
29	92701-06012	SCREW, flathead	2	
30	93304-20504	BEARING (64205)	1	
31	93102-32136	OIL SEAL (SD-32-42-6)	1	
32	90387-25663	COLLAR (25-32-11-2)	1	

Fig. 6 TRANSMISSION



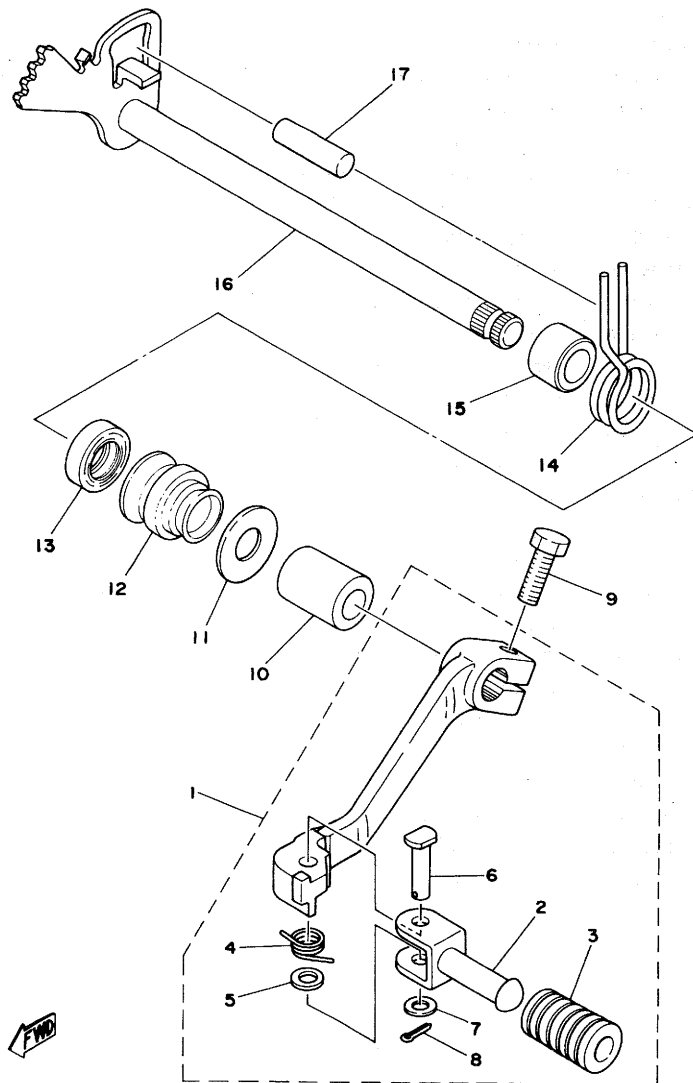
Ref.No.	Part No.	Description	Qty	Remarks
6-33	1W4-17461-30 ✓	SPROCKET, drive (13T)	1	UR
	1W4-17461-40 ✓	SPROCKET, drive (14T)	1	UR STD
	1W4-17461-50 ✓	SPROCKET, drive (15T)	1	UR
34	90215-21121 ✓	WASHER, lock	1	
35	90179-20255 ✓	NUT	1	
36	2K7-15651-00 ✓	GEAR, kick idle (22T)	1	
37	90201-17545 ✓	WASHER, plate	2	4-28-261-0
38	93410-17008 ✓	CIRCLIP (S-17)	1	

Fig.7 SHIFTER 1



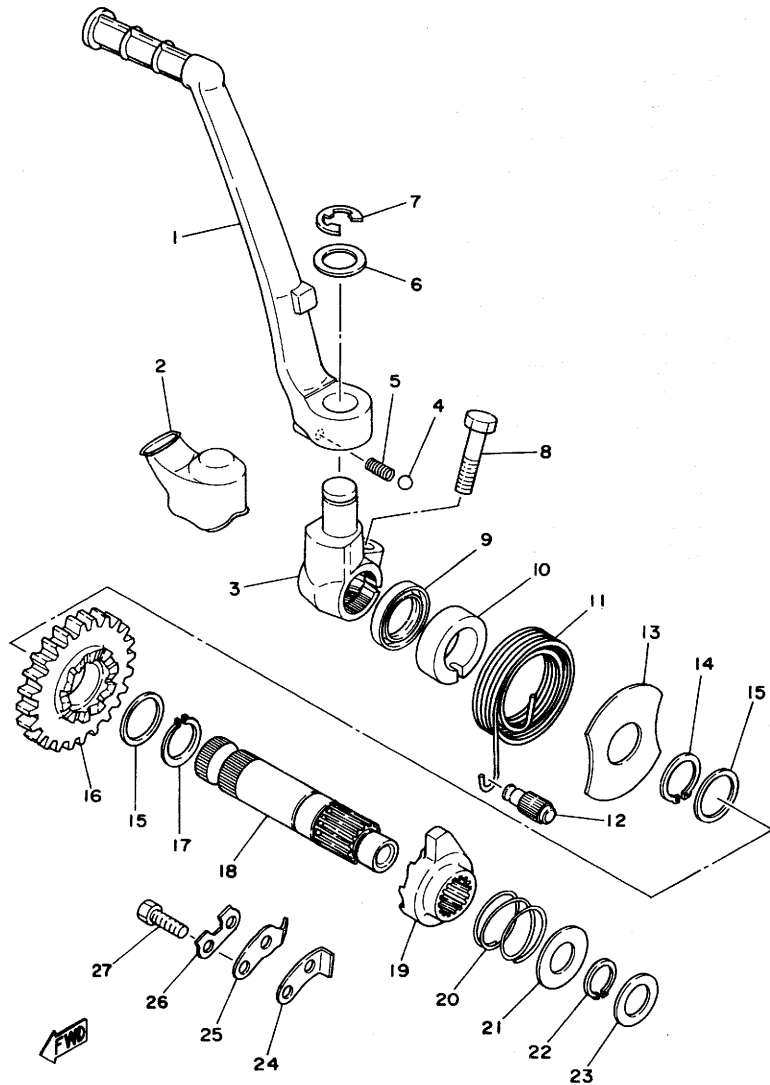
Ref.No.	Part No.	Description	Q'ty	Remarks
7- 1	2X5-18541-00 ✓	CAM, shift	1	
2	2K7-18141-00 ✓	PLATE, stopper	1	
3	93604-08071 ✓	PIN, dowel (4-18)	1	
4	93440-32017 ✓	CIRCLIP (92725555)	1	
5	93604-18100 ✓	PIN, dowel (4-18)	6	
6	2K9-18561-00 ✓	PLATE, side	1	
7	98701-05012 ✓	SCREW, flathead	1	
8	93315-23208 ✓	BEARING	1	
9	93306-90401 ✓	BEARING	1	
10	90201-20613 ✓	WASHER, plate (20225555)	1	
11	93410-19015 ✓	CIRCLIP (5-19)	1	
12	90338-32086 ✓	PLUG	1	
13	353-18547-00 ✓	STOPPER, cam	1	
14	90501-10062 ✓	SPRING, compression (2721855700)	1	
15	214-11198-01 ✓	GASKET, drain plug	1	
16	90109-14485 ✓	BOLT	1	
17	2X5-18511-00 ✓	FORK, shift 1	1	
18	2X5-18512-00 ✓	FORK, shift 2	1	
19	2X5-18513-00 ✓	FORK, shift 3	1	
20	93606-14140 ✓	PIN, dowel (8-13)	3	
21	2K7-18531-00 ✓	BAR, shift fork guide 1	1	
22	2K7-18535-01 ✓	BAR, shift fork guide 2	1	
23	93430-08006 ✓	CIRCLIP (4-18)	5	
24	2K7-18122-01 ✓	LEVER, change 2	1	
25	90508-10386 ✓	SPRING, torsion	1	
26	2K7-18151-00 ✓	LEVER, change 3	1	
27	93430-07012 ✓	CIRCLIP (5-17)	1	
28	2K7-15381-00 ✓	PLATE, bearing cover	1	
29	92701-06012 ✓	SCREW, flathead	2	

Fig. 8 SHIFTER 2



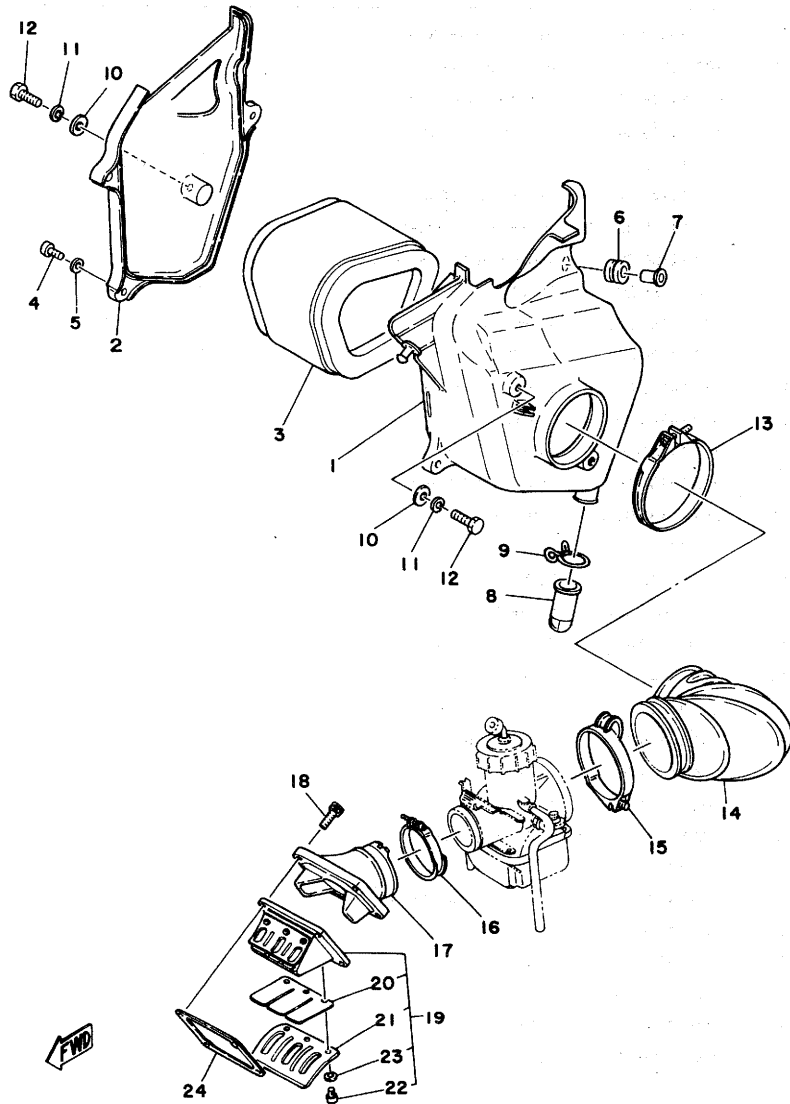
Ref.No.	Part No.	Description	Q'ty	Remarks
8-1	2X7-18110-00 ✓	CHANGE PEDAL ASS'Y	1	
2	1W6-18162-00 ✓	. PEDAL, change	1	
3	1W6-18113-00 ✓	. COVER, change pedal	1	
4	90508-16351 ✓	. SPRING, torsion	1	
5	92901-06200 ✓	. WASHER, plain	1	
6	90240-06057 ✓	. PIN, with hole	1	
7	92901-06600 ✓	. WASHER, plate	1	
8	91401-200 ²⁰ ✓	. PIN, cotter	1	
9	97321-06020 ✓	BOLT, hexagon	1	
10	90560-12179 ✓	SPACER	1	
11	90201-12588 ✓	WASHER, plate (12528-1)	1	
12	214-18131-00 ✓	BOOT, sealing	1	
13	93101-12004 ✓	OIL SEAL (S-12-22-5)	1	
14	90508-32374 ✓	SPRING, torsion	1	
15	90560-12171 ✓	SPACER	1	
16	2K7-18101-00 ✓	CHANGE SHAFT ASS'Y	1	
17	93608-30128 ✓	PIN, dowel (8-30)	1	

Fig. 9 KICK STARTER



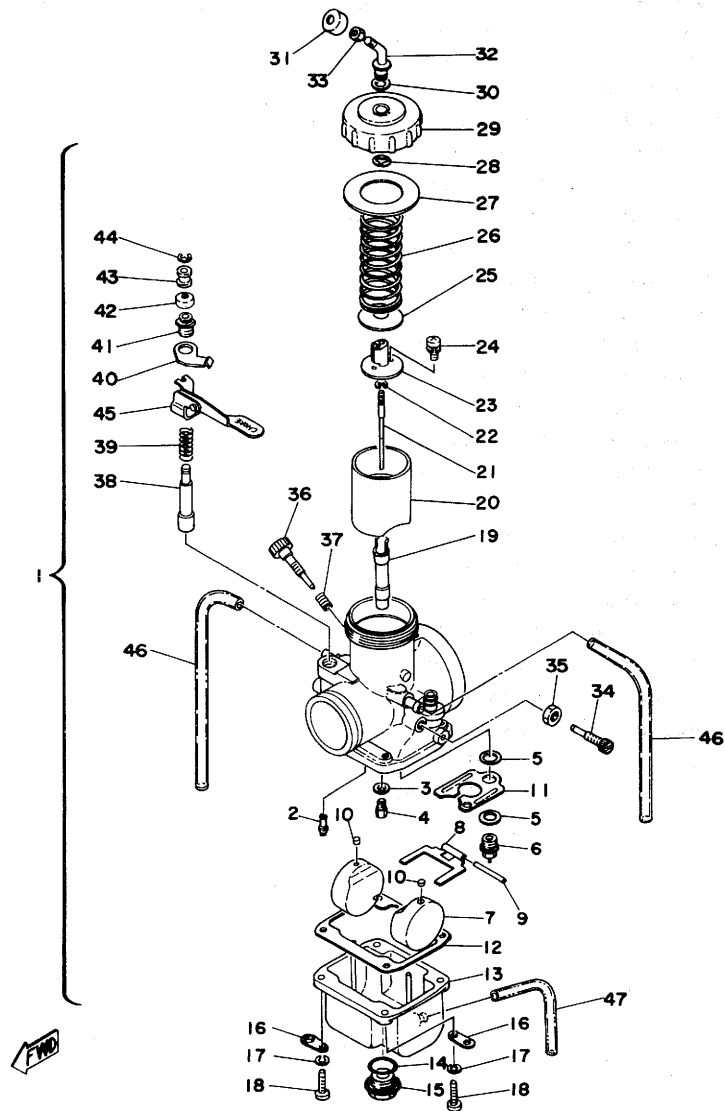
Ref.No.	Part No.	Description	Q'ty	Remarks
9- 1	2K7-15611-00-33 ✓	CRANK, kick	1	Yamaha Black
2	2K7-15618-00 ✓	COVER, kick lever	1	
3	2K7-15621-00 ✓	BOSS, kick crank	1	
4	93507-32000 7/32 INCH ✓	BALL (7/32 INCH)	1	
5	90501-12081 ✓	SPRING, compression (278-15622-00)	1	
6	90201-15234 ✓	WASHER, plate (278-15613-00)	1	
7	93430-10016 ✓	CIRCLIP (E-10)	1	
8	97311-08030 ✓	BOLT, hexagon	1	
9	93109-20014 ✓	OIL SEAL (SDO-20-30-4.5)	1	
10	2K7-15664-00 ✓	GUIDE, spring	1	
11	90508-32061 ✓	SPRING, torsion (294-15665-00)	1	
12	248-15668-00 ✓	STOPPER, kick spring	1	
13	2K7-15676-00 ✓	COVER, spring	1	
14	93410-20009 ✓	CIRCLIP (S-20)	1	
15	90201-20685 ✓	WASHER, plate (20-25-0.5)	2	
16	2K7-15641-01 ✓	GEAR, kick (24T)	1	
17	93410-20038 ✓	CIRCLIP	1	
18	2K7-15661-01 ✓	AXLE, kick	1	
19	2K7-15671-01 ✓	WHEEL, ratchet	1	
20	90501-16107 ✓	SPRING, compression (168-15675-00)	1	
21	168-15676-00 ✓	COVER, spring	1	
22	93410-15005 ✓	CIRCLIP (S-15)	1	
23	132-15644-00 ✓	SHIM	1	
24	2K7-15668-00 ✓	STOPPER, kick	1	
25	214-15674-00 ✓	GUIDE, ratchet wheel	1	
26	214-15686-00 ✓	WASHER, lock	1	
27	97310-06016 ✓	BOLT, hexagon	2	

Fig. 10 INTAKE



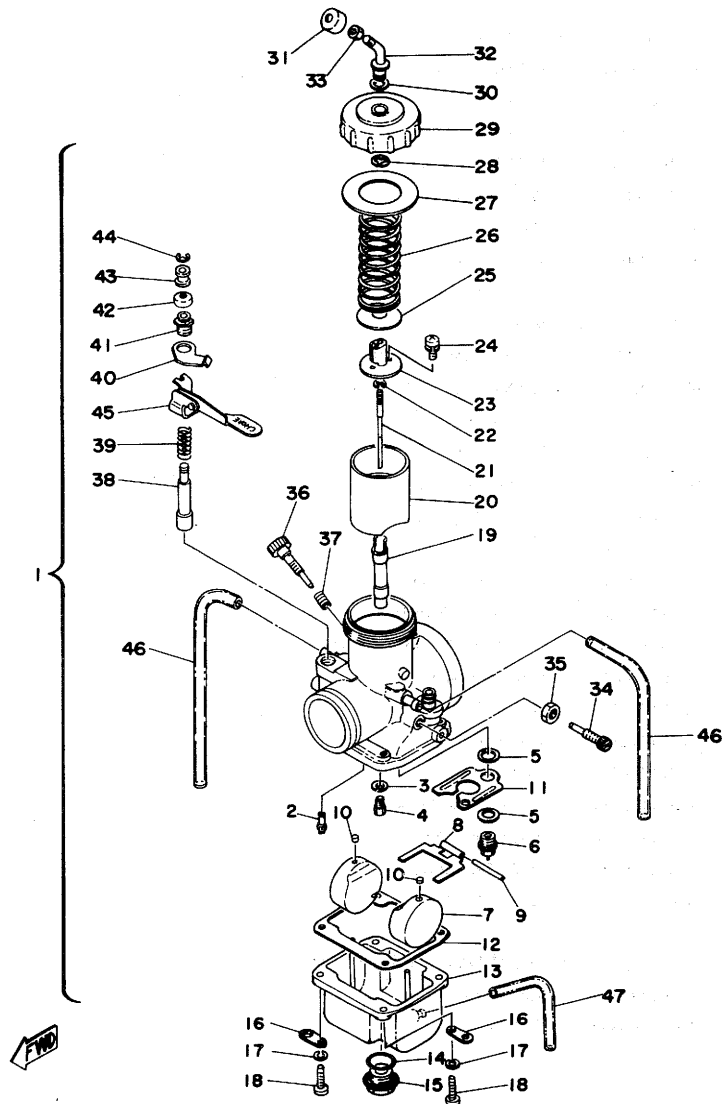
Ref.No.	Part No.	Description	Q'ty	Remarks
10 ✓	2K7-14411-01 ✓	CASE, air cleaner	1	
2	2K7-14412-00 ✓	CAP, case	1	
3	2K7-14450-00 ✓	AIR CLEANER ELEMENT ASS'Y	1	
4	92501-06015 ✓	SCREW, panhead	3	
5	92901-06600 ✓	WASHER, plate	3	
6	90480-14102 ✓	GROMMET (214-21713-00)	3	
7	90387-07391 ✓	COLLAR (437-24633-00)	3	
8	1W4-14457-00 ✓	SEAL, air cleaner case	1	
9	90467-20030 ✓	CLIP	1	
10	90201-06067 ✓	WASHER, plate (6-5-20-1-6)	3	
11	92901-06100 ✓	WASHER, spring	3	
12	97301-06025 ✓	BOLT, hexagon	3	
13 ✓	90460-85138 ✓	CLAMP, hose	1	
14	2X5-14453-00 ✓	JOINT, air cleaner	1	
15	90460-68120 ✓	CLAMP, hose	1	
16	90460-51109 ✓	CLAMP, hose	1	
17	2K7-13565-00 ✓	JOINT, carburetor	1	
18	97301-06020 ✓	BOLT, hexagon	4	
19	2X5-13610-00 ✓	REED VALVE ASS'Y	1	
20	2K7-13613-00 ✓	REED VALVE	2	
21	2X5-13616-00 ✓	STOPPER, reed valve	2	
22	98501-03008 ✓	SCREW, panhead	6	
23	92901-03100 ✓	WASHER, spring	6	
24	2K7-13621-00 ✓	PACKING, valve seat	1	

Fig. 11 CARBURETOR



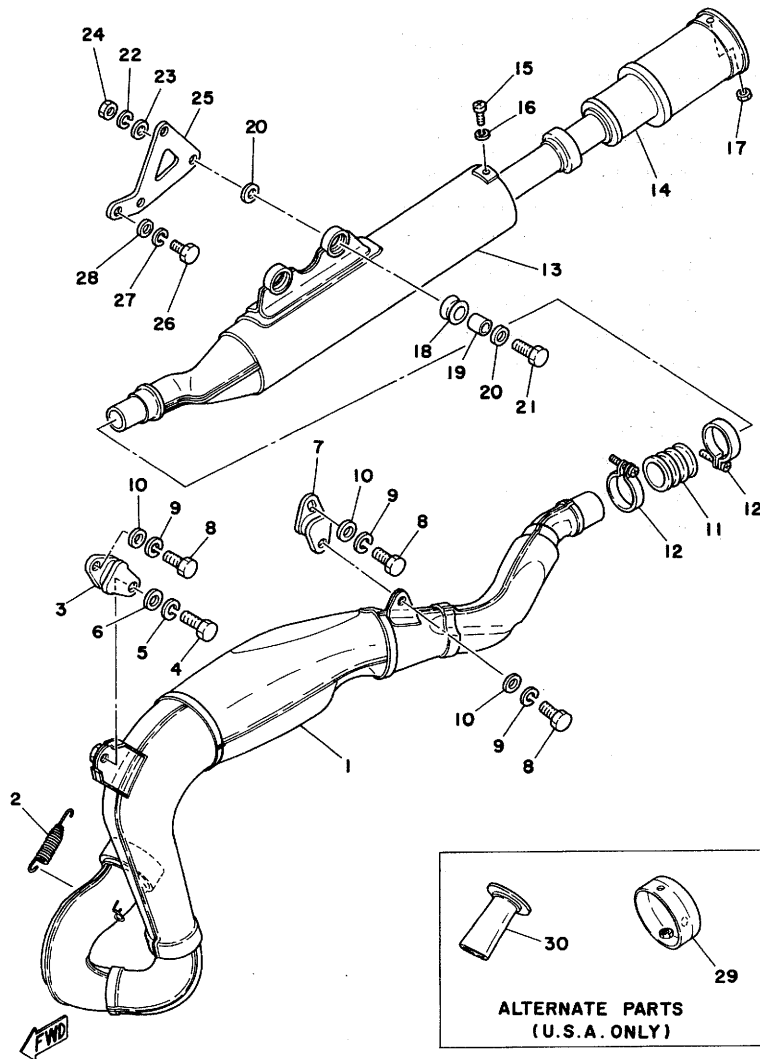
Ref.No.	Part No.	Description	Q'ty	Remarks
✓ 1	2X8-14101-00 ✓	CARBURETOR ASS'Y	1	
2	193-14142-50 ✓	. JET, pilot (#50)	1	
3	509-14145-00 ✓	. SETTER, needle jet	1	
4	137-14143-68 ✓	. JET, main (#340)	1	UR
	137-14143-70 ✓	. JET, main (#350)	1	UR STD
	137-14143-72 ✓	. JET, main (#360)	1	UR
5	239-14195-00 ✓	. WASHER, valve seat	2	
6	363-14190-35 ✓	. VALVE SEAT ASS'Y (3.5)	1	
7	214-14185-00 ✓	. FLOAT	2	
8	363-14187-00 ✓	. ARM, float	1	
9	127-14186-00 ✓	. PIN, float	1	
10	214-14118-00 ✓	. CAP	2	
11	510-14146-00 ✓	. PLATE	1	
12	363-14184-00 ✓	. GASKET, float chamber	1	
✓ 13	510-14181-16 ✓	. BODY, float chamber	1	
14	558-14147-00 ✓	. O-RING	1	
15	500-14115-00 ✓	. PLUG, screw	1	
16	313-14146-00 ✓	. PLATE	2	
17	92901-05100 ✓	. WASHER, spring	4	
18	98501-05016 ✓	. SCREW, panhead	4	
19	510-14141-44 ✓	. NOZZLE, main (P-4)	1	
20	510-14112-30 ✓	. VALVE, throttle (3.0)	1	
21	239-14116-16 ✓	. NEEDLE (6F16-3)	1	
22	164-14137-00 ✓	. CLIP	1	
23	509-14274-00 ✓	. CONNECTOR	1	
24	97602-03108 ✓	. SCREW, panhead	2	
25	509-14136-00 ✓	. SEAT	1	
26	363-14131-00 ✓	. SPRING, throttle valve	1	
27	363-14126-00 ✓	. PACKING	1	
28	363-14137-00 ✓	. CLIP	1	
29	1W3-14158-00 ✓	. TOP, mixing chamber	1	
30	509-14198-00 ✓	. GASKET	1	
31	1M1-14169-00 ✓	. CAP	1	

Fig. 11 CARBURETOR



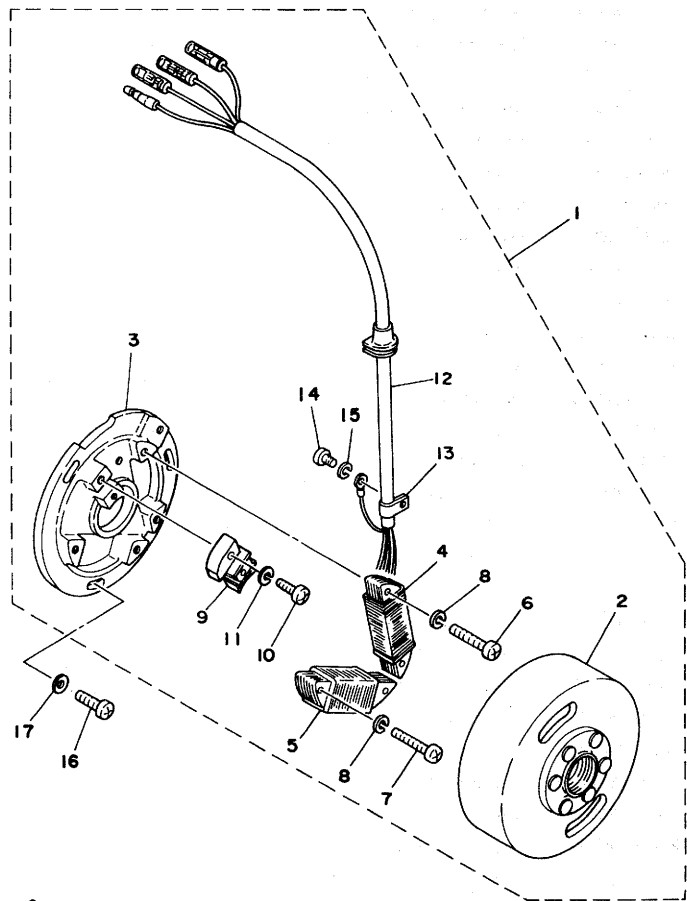
Ref.No.	Part No.	Description	Q'ty	Remarks
11-32	509-14155-01 ✓	TUBE, guide wire	1	
33	127-14161-00 ✓	NUT, wire adjusting	1	
34	2A0-14122-00 ✓	SCREW, throttle	1	
35	802-14161-00 ✓	NUT, wire adjusting	1	
36	1W3-14123-00 ✓	SCREW, air adjusting	1	
37	137-14133-00 ✓	SPRING, air adjusting	1	
38	1W1-14171-00 ✓	PLUNGER, starter	1	
39	256-14135-00 ✓	SPRING, plunger	1	
40	1W3-14178-00 ✓	PLATE, starter spring	1	
41	802-14174-00 ✓	CAP, plunger	1	
42	802-14173-00 ✓	CAP	1	
43	737-14241-00 ✓	BUSHING, starter plunger	1	
44	737-14137-00 ✓	CIRCLIP	1	
45	1W3-14175-00 ✓	LEVER, starter	1	
✓46	310-14197-00 PURCHASE LOCALLY	PIPE, air vent	2	
✓47	310-14197-00 PURCHASE LOCALLY	PIPE, over flow	1	

Fig. 12 EXHAUST



Ref.No.	Part No.	Description	Q'ty	Remarks
✓ 12	2X8-14610-00 ⁰¹	✓ EXHAUST PIPE ASS'Y	1	
2	90507-20030	✓ SPRING, tension	2	
3	483-14781-00	✓ STAY, silencer	1	
4	97301-08020	✓ BOLT, hexagon	1	
5	92901-08100	✓ WASHER, spring	1	
6	92901-08600	✓ WASHER, plate	1	
7	565-14771-00	✓ STAY, muffler	1	
8	97301-06016	✓ BOLT, hexagon	3	
9	92901-06100	✓ WASHER, spring	3	
10	92901-06600	✓ WASHER, plate	3	
11	1M1-14714-00	✓ GASKET, muffler joint	1	
12	90460-43053	✓ CLAMP, hose (304-14455-70)	2	
✓ 13	2X7-14753-00	✓ SILENCER	1	
✓ 14	2X8-14752-00	✓ PIPE, outlet	1	
15	92501-06012	✓ SCREW, panhead	2	
16	92901-06100	✓ WASHER, spring	2	
17	95301-06600	✓ NUT, hexagon	2	
18	565-14747-00	✓ DAMPER, muffler	2	
19	90387-08258	✓ COLLAR (8-25-15)	2	
20	90201-08113	✓ WASHER, plate (611-48556-30)	4	
21	97301-08035	✓ BOLT, hexagon	2	
22	92901-08100	✓ WASHER, spring	2	
23	92901-08200	✓ WASHER, plain	2	
24	95301-08700	✓ NUT, hexagon	2	
25	1W6-14781-00	✓ STAY, exhaust pipe	1	
26	97301-08016	✓ BOLT, hexagon	2	
27	92901-08100	✓ WASHER, spring	2	
28	92901-08600	✓ WASHER, plate	2	
ALTERNATE PARTS (U.S.A. ONLY)				
✓ 29	2X7-14787-00	CAP, silencer	1	
✓ 30	2X8-14634-00	PIPE, choke	1	

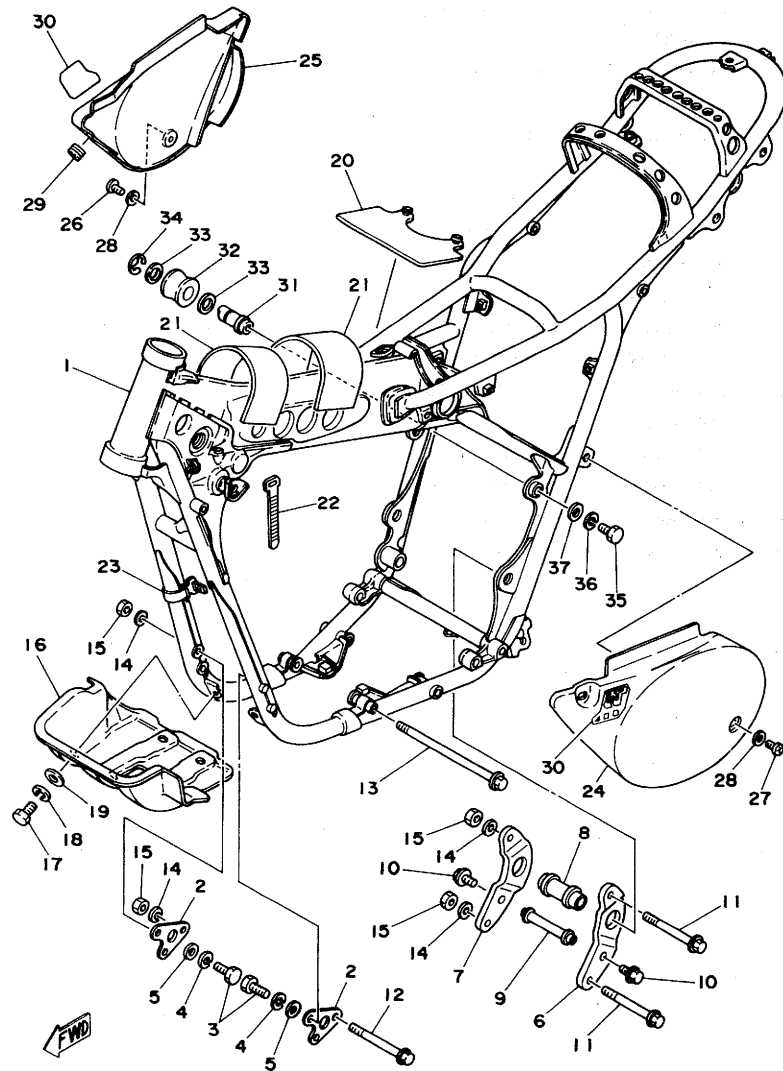
Fig. 13 C. D. I. MAGNETO



Ref.No.	Part No.	Description	Q'ty	Remarks
✓ 13	2X8-85500-20 ✓	C.D.I. MAGNETO ASS'Y	1	
2	2X9-85550-20 ✓	ROTOR ASS'Y	1	
3	1M2-85509-20 ✓	BASE, magneto	1	
4	2X9-85512-20 ✓	COIL, ignition source	1	
5	1W6-85513-20 ✓	COIL, lighting	1	
6	98501-05025 ✓	SCREW, panhead	2	
7	98501-05018 ✓	SCREW, panhead	2	
8	92901-05100 ✓	WASHER, spring	4	
9	2X9-85580-20 ✓	PULSER	1	
10	98501-04018 ✓	SCREW, panhead	2	
11	92901-04100 ✓	WASHER, spring	2	
✓ 12	2X7-85515-20 ✓	LEAD WIRE ASS'Y	1	
✓ 13	184-81328-20 ✓	CLAMP, lead	1	
14	98501-04006 ✓	SCREW, panhead	1	
15	92901-04100 ✓	WASHER, spring	1	
16	92501-06020 ✓	SCREW, panhead	3	
17	92901-06600 ✓	WASHER, plate	3	

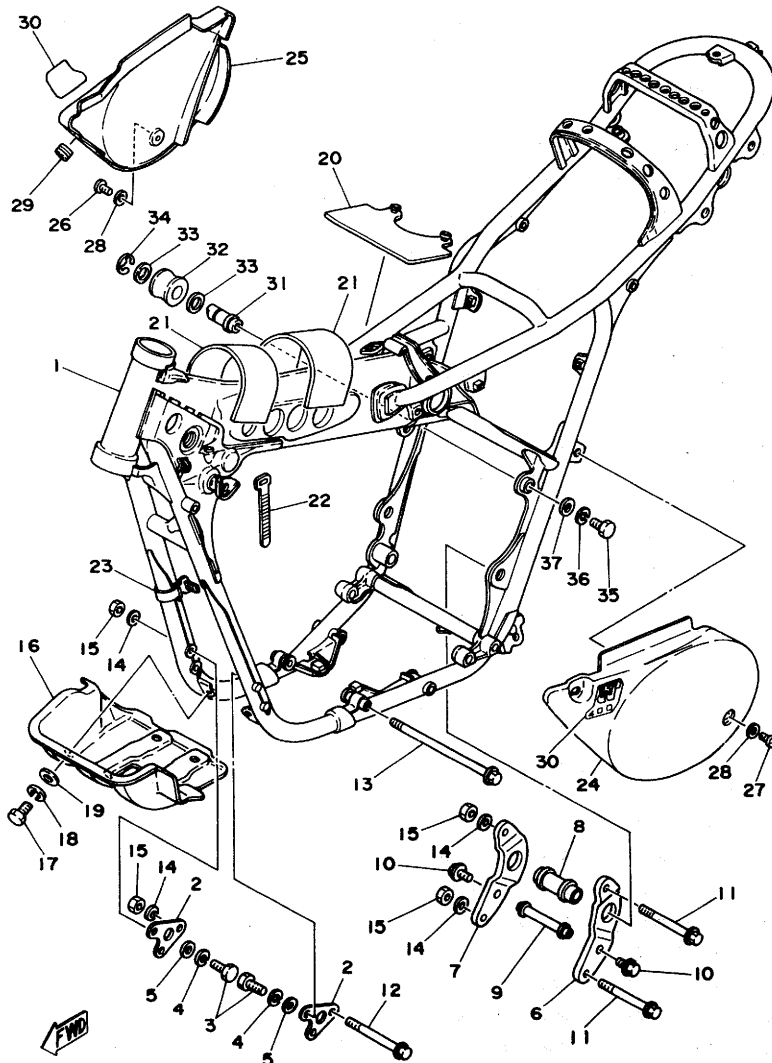


Fig. 14 FRAME · SIDE COVER



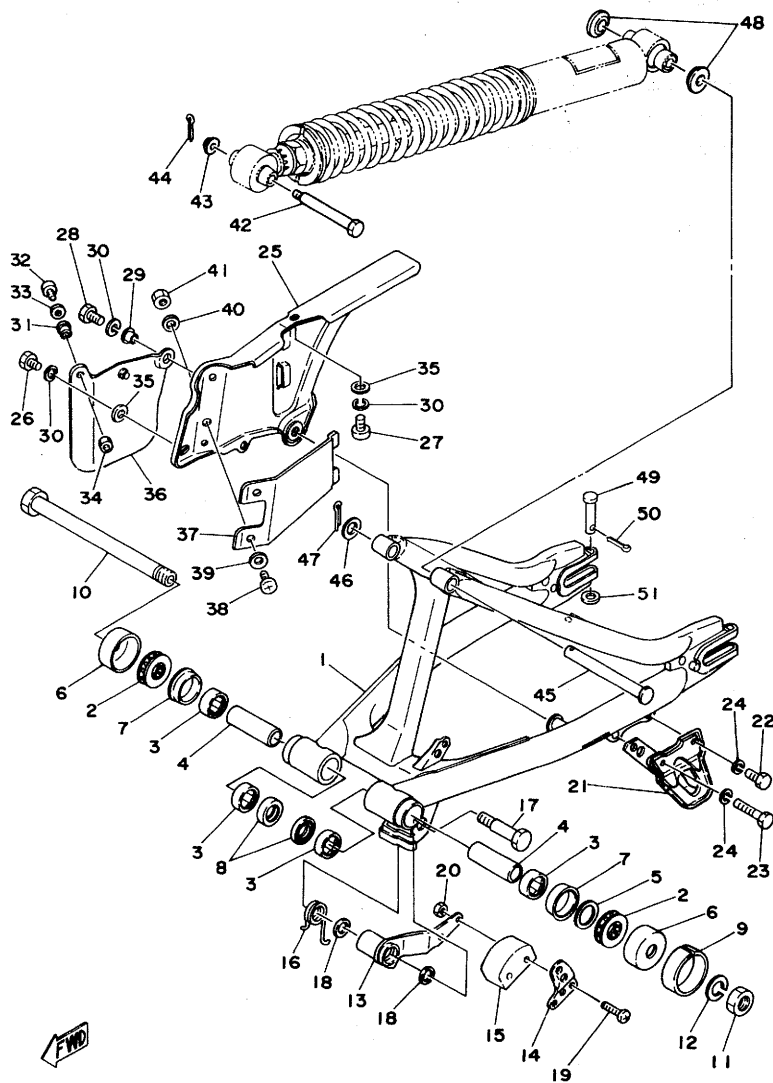
Ref.No.	Part No.	Description	Q'ty	Remarks
14	2X7-21110-00-33	FRAME COMP.	1	Yamaha Black
2	2X4-21415-00	BRACKET, front upper	2	
3	97301-08025	BOLT, hexagon	4	
4	92901-08100	WASHER, spring	4	
5	92901-08600	WASHER, plate	4	
6	2K7-21427-00	BRACKET, rear under left	1	
7	2K7-21428-00	BRACKET, rear under right	1	
8	2K7-21459-00	SPACER, engine mount upper	1	
9	2K7-21424-00	BOSS, engine mount	1	
10	95801-08016	BOLT, flange	2	
11	95811-08090	BOLT, flange	2	
12	95811-08100	BOLT, flange	1	
13	95811-08180	BOLT, flange	1	
14	92901-08200	WASHER, plain	4	
15	90185-08054	NUT, U	4	
16	2X7-21471-00	PROTECTOR, engine	1	
17	97301-08016	BOLT, hexagon	4	
18	92901-08100	WASHER, spring	4	
19	92901-08600	WASHER, plate	4	
20	1W1-24181-00	DAMPER, locating 1	1	
21	1W1-24183-00	DAMPER, locating 3	2	
22	437-83936-00	BAND, switch cord	4	
23	803-82591-00	BAND, switch cord	1	
24	1W6-21711-00-26	COVER, side left	1	Sky Blue/ Competition Yellow
25	1W6-21721-00-26	COVER, side right	1	Sky Blue/ Competition Yellow
26	98901-06016	SCREW, bind	1	
27	98901-06012	SCREW, bind	2	
28	90201-06571	WASHER, plate	3	
29	90480-12053	DAMPER, side cover	1	
30	2X8-21786-00	EMBLEM, side cover	2	
31	2K6-2148A-02	SHAFT	1	
32	2K6-22178-00	TENSIONER	1	
33	90201-13202	WASHER, plate	2	

Fig. 14 FRAME · SIDE COVER



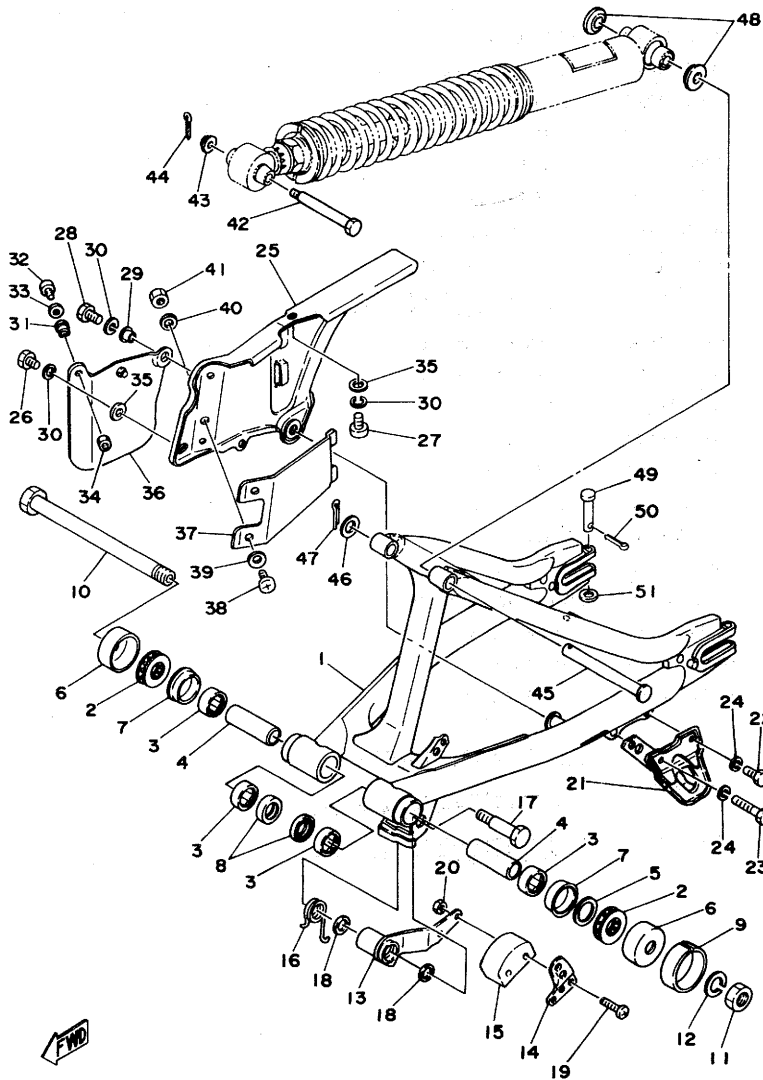
Ref.No.	Part No.	Description	Q'ty	Remarks
14-34	1W1-18136-00 ✓	CLIP	1	
35	97301-08020 ✓	BOLT, hexagon	1	
36	92901-08100 ✓	WASHER, spring	1	
37	92901-08200 ✓	WASHER, plain	1	

Fig. 15 REAR ARM · CHAIN CASE



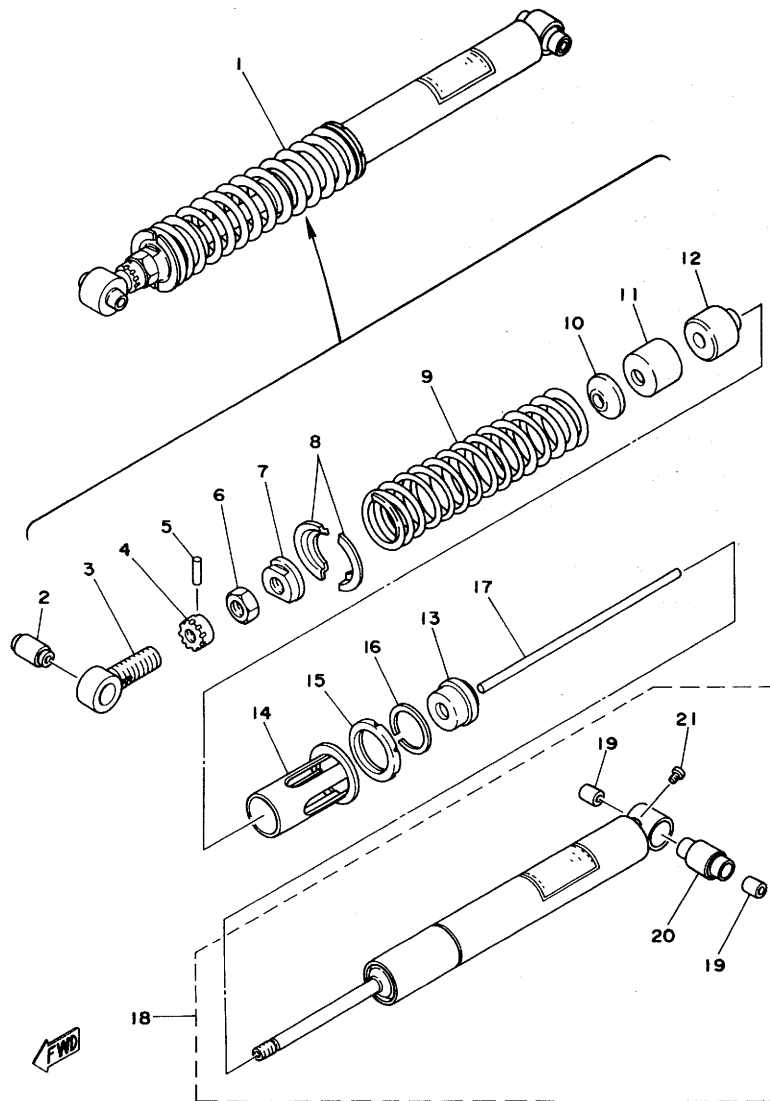
Ref.No.	Part No.	Description	Q'ty	Remarks
15	2X7-22110-00-33	✓ REAR ARM COMP.	1	Yamaha Black
2	93342-22205	✓ BEARING	2	
3	93317-22214	✓ BEARING	4	
4	90380-16056	✓ BUSHING	2	
5	648-45533-00-03	✓ WASHER, thrust	U.R.	
6	2X4-22129-00	✓ COVER, thrust 2	2	
7	93108-35004	✓ OIL SEAL (OSO-35-41.5-8)	2	
8	93109-22018	✓ OIL SEAL (SDO-20.9-28-4)	2	
9	2W6-22151-00	✓ SEAL, guard	1	
10	1W4-22141-00	✓ SHAFT, pivot	1	
11	90170-16111	✓ NUT, hexagon	1	
12	92901-16100	✓ WASHER, spring	1	
13	1W6-22179-00	✓ ARM, chain tensioner	1	
14	1W1-22187-00	✓ GUIDE, chain	1	
15	2N0-22178-00	✓ TENSIONER, chain	1	
16	90508-35350	✓ SPRING, torsion	1	
17	90109-10483	✓ BOLT	1	
18	93104-14044	✓ OIL SEAL (SO-14-20-3)	2	
19	98501-05035	✓ SCREW, panhead	2	
20	95301-05700	✓ NUT, hexagon	2	
21	2W6-22153-00	✓ GUARD, chain	1	
22	97301-06012	✓ BOLT, hexagon	1	
23	97301-06055	✓ BOLT, hexagon	1	
24	92901-06100	✓ WASHER, spring	2	
25	2X7-22311-00	✓ CASE, chain	1	
26	97301-06014	✓ BOLT, hexagon	1	
27	92501-06014	✓ SCREW, panhead	1	
28	97301-06020	✓ BOLT, hexagon	1	
29	90387-06500	✓ COLLAR	1	
30	92901-06100	✓ WASHER, spring	3	
31	90387-06020	✓ COLLAR	1	
32	92501-06014	✓ SCREW, panhead	1	
33	92901-06600	✓ WASHER, plate	1	

Fig. 15 REAR ARM · CHAIN CASE



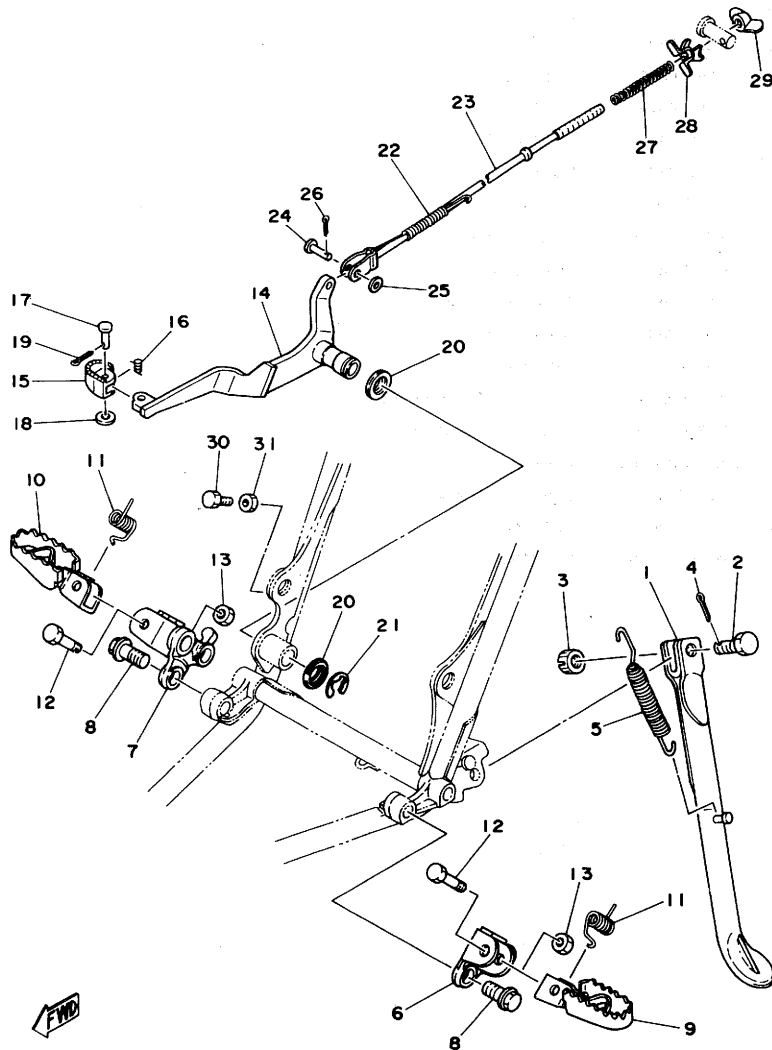
Ref.No.	Part No.	Description	Q'ty	Remarks
15-34	95601-06100 ✓	NUT, U	1	
	35	92901-06600 ✓	2	
	✓36	2X7-22313-00 ✓	1	
	37	1W6-22318-00 ✓	1	
	38	98501-05010 ✓	2	
	39	92901-05600 ✓	2	
	40	92901-05200 ✓	2	
	41	95601-05100 ✓	2	
	42	90109-08480 ✓	1	
	43	90179-08243 ✓	1	
	44	91401-200 ²⁰ ✓	1	
	45	90240-12060 ✓	1	
	46	92901-12600 ✓	1	
	47	91401-300 ³⁰ ✓	1	
	48	1W1-22128-00 ✓	2	
	49	91701-08042 ✓	2	
	50	91401-250 ²⁵ ✓	2	
	51	92901-08600 ✓	2	

Fig.16 REAR CUSHION



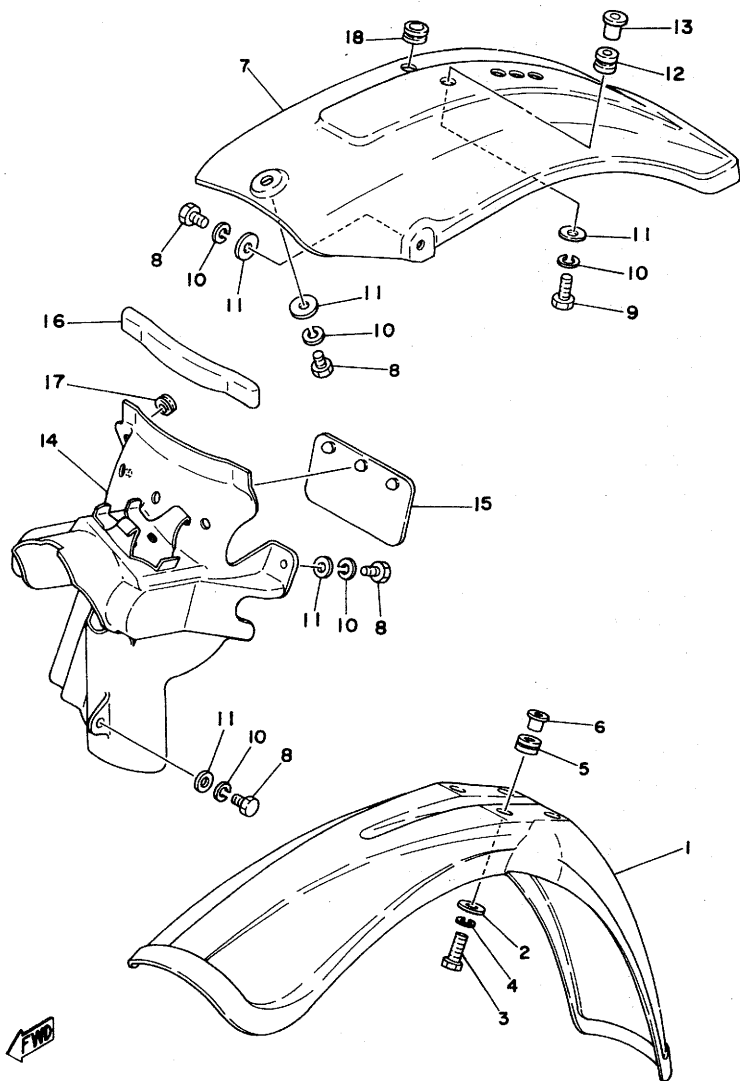
Ref.No.	Part No.	Description	Q'ty	Remarks
✓ 16	1	2X7-22210-00 ✓	1	REAR CUSHION ASS'Y
2	1W1-22216-00 ✓	. BUSHING, upper bracket	1	
3	1W1-22219-00 ✓	. BRACKET, upper	1	
4	1W1-22497-00 ✓	. NUT, adjusting	1	
5	93604-26132 ✓	. PIN, dowel	1	
6	90170-20213 ✓	. NUT, hexagon	1	
7	2K6-22213-00 ✓	. SEAT, spring upper	1	
✓ 8	2K7-22214-00 ✓	. GUIDE, spring upper	2	
9	90501-99539 ✓	. SPRING, compression ($K_1=2.86$ kg/mm $K_2=4.92$ kg/mm)	1	Painted Blue
10	2W6-22228-00 ✓	. SUPPORT, bump stop	1	
11	1W1-22221-00 ✓	. COVER, bump stop	1	
12	2W6-22493-00 ✓	. BUMPER, stop	1	
13	1W1-22472-00 ✓	. CAP, case	1	
14	1W1-22224-00 ✓	. GUIDE, spring lower	1	
15	1W1-22223-00 ✓	. SEAT, spring under	1	
16	93440-50058 ✓	. CIRCLIP	1	
17	2W6-22489-00 ✓	. ROD, push	1	
✓ 18	2X7-22401-00 ✓	. DAMPER SUB ASS'Y	1	
19	90380-12051 ✓	. BUSHING, solid	2	
20	1W1-22226-00 ✓	. BUSHING, lower	1	
21	98501-04005 ✓	. SCREW, panhead	1	
ALTERNATE PARTS				
✓ 9	90501-98538 ✓	. SPRING, compression ($K_1=2.63$ kg/mm $K_2=4.04$ kg/mm)	1	Soft
✓	90501-99551 ✓	. SPRING, compression ($K_1=3.13$ kg/mm $K_2=4.83$ kg/mm)	1	Hard (Painted Red)

Fig. 17 STAND · FOOTREST · BRAKE PEDAL



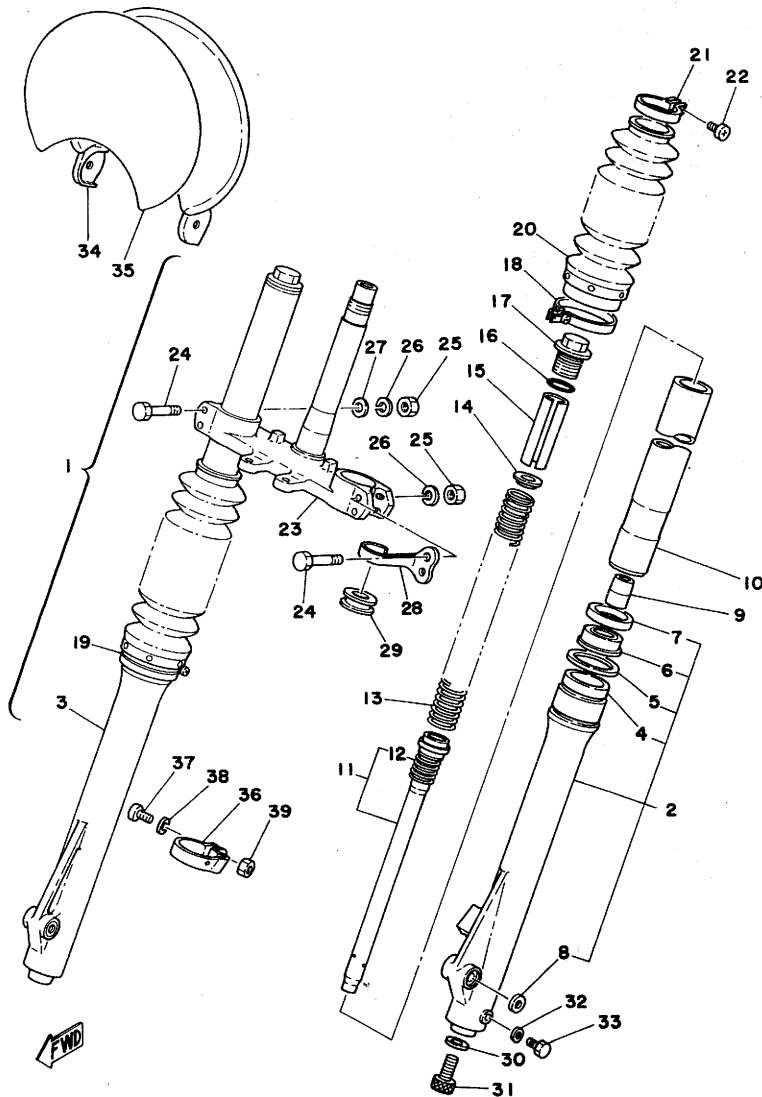
Ref.No.	Part No.	Description	Q'ty	Remarks
✓ 1	1W4-27311-00 ✓	STAND, side	1	
2	90102-10006 ✓	BOLT (178-27317-00)	1	
3	95302-10900 ✓	NUT, slotted	1	
4	91401-20025 ✓	PIN, cotter	1	
5	90507-29008 ✓	SPRING, tension	1	
6	2X4-27412-00 ✓	BRACKET, footrest left	1	
✓ 7	2X7-27422-00 ✓	BRACKET, footrest right	1	
8	90105-12096 ✓	BOLT	4	
9	2W6-27411-00 ✓	FOOTREST, left	1	
10	2W6-27421-00 ✓	FOOTREST, right	1	
11	90508-20023 ✓	SPRING, torsion (224-27426-00)	2	
✓ 12	90101-08428 ✓	BOLT, hexagon	2	
13	95601-08100 ✓	NUT, U	2	
✓ 14	2X7-27211-00-33 ✓	PEDAL, brake	1	Yamaha Black
15	1W2-27242-00 ✓	PEDAL	1	
16	90508-14352 ✓	SPRING, torsion	1	
17	91701-06022 ✓	PIN, clevis	1	
18	92901-06600 ✓	WASHER, plate	1	
19	91401-200 ²⁰ ✓	PIN, cotter	1	
20	498-27235-00 ✓	COVER, dust	2	
21	93430-15023 ✓	CIRCLIP (E-15)	1	
22	90506-20128 ✓	SPRING, tension	1	
23	2K5-27231-00 ✓	ROD, brake	1	
24	90240-06040 ✓	PIN, with hole	1	
25	92901-06200 ✓	WASHER, plain	1	
26	91401-200 ²⁰ ✓	PIN, cotter	1	
27	90501-10245 ✓	SPRING (180-27236-00)	1	
28	1W2-27239-00 ✓	SEAT, spring	1	
29	90175-06013 ✓	NUT, wing	1	
30	97301-06020 ✓	BOLT, hexagon	1	
31	95301-06700 ✓	NUT, hexagon	1	

Fig. 18 FRONT FENDER · REAR FENDER



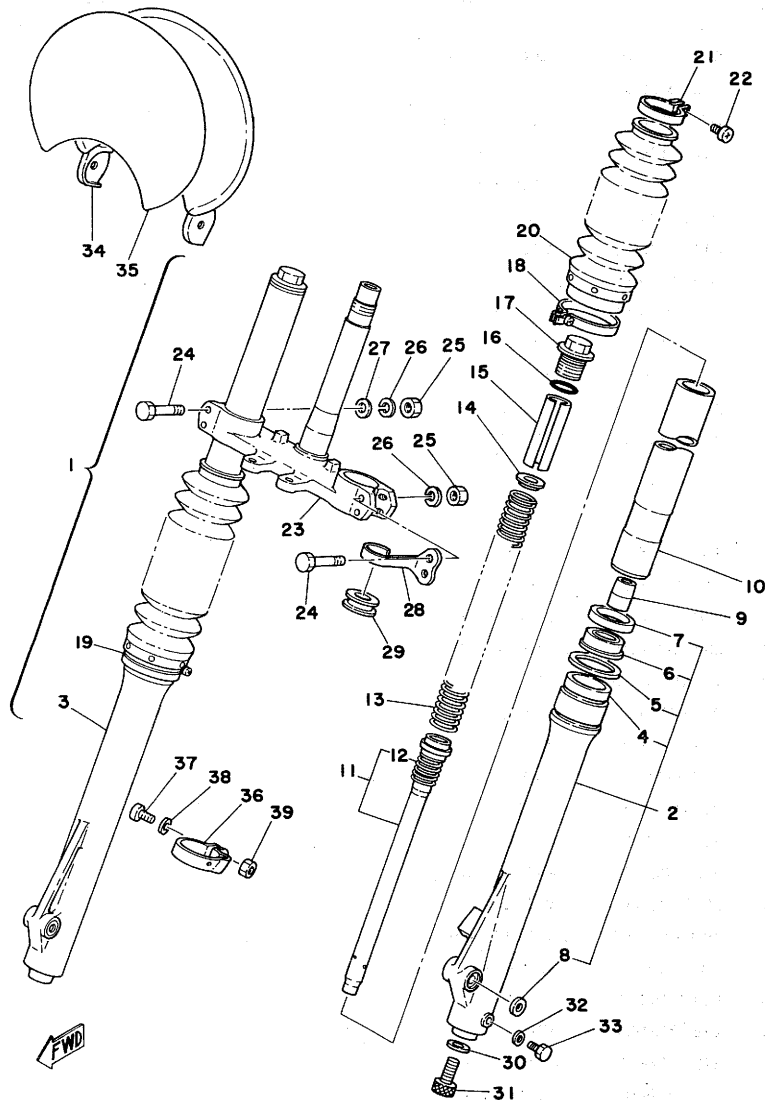
Ref.No.	Part No.	Description	Q'ty	Remarks
18- 1	1W2-21511-00 ✓	FENDER, front	1	Sky Blue
2	90201-06067 ✓	WASHER, plate	4	
3	97301-06025 ✓	BOLT, hexagon	4	
4	92901-06100 ✓	WASHER, spring	4	
5	90480-14198 ✓	GROMMET	4	
6	90387-07391 ✓	COLLAR	4	
7	1W2-21611-00 ✓	FENDER, rear	1	Sky Blue
8	97301-06014 ✓	BOLT, hexagon	6	
9	97301-06025 ✓	BOLT, hexagon	1	
10	92901-06100 ✓	WASHER, spring	7	
11	90201-06067 ✓	WASHER, plate	7	
12	90480-14198 ✓	GROMMET	1	
13	90387-06388 ✓	COLLAR (322-21544-00)	1	
✓ 14	2K7-21620-00 ✓	MUD GUARD COMP.	1	
15	1M1-21621-00 ✓	FLAP	1	
16	565-21746-00 ✓	SEAL, mud guard	1	
17	90480-13018 ✓	GROMMET	1	
18	90480-15058 ✓	GROMMET	1	

Fig. 19 FRONT FORK



Ref.No.	Part No.	Description	Q'ty	Remarks
✓ 19-1	2X7-23101-00 ✓	FRONT FORK ASS'Y	1	
2	1W2-23126-01 ✓	. TUBE, outer left	1	
3	1W2-23136-01 ✓	. TUBE, outer right	1	
4	1K7-23145-00 ✓	.. OIL SEAL	2	
5	1W1-23156-L0 ✓	.. RING, snap	2	
6	1G8-23144-L1 ✓	.. SEAL, dust	2	
7	1W1-23148-L0 ✓	.. CASE, dust seal	2	
8	1W1-23168-L0 ✓	.. WASHER	2	
9	1W1-23173-L0 ✓	. SPINDLE	2	
✓ 10	2X7-23110-00 ✓	. TUBE, inner	2	
✓ 11	2X7-23170-00 ✓	. CYLINDER COMP., front fork	2	
✓ 12	2X7-23151-00 ✓	.. SPRING, rebound	2	
✓ 13	2X7-23141-00 ✓	. SPRING, front fork (K=0.356 kg/mm)	2	
14	1W1-23142-L0 ✓	. SEAT, spring upper	2	
15	1W1-23118-10 ✓	. SPACER	2	
16	1W1-23114-L0 ✓	. O-RING	2	
✓ 17	2X7-23111-00 ✓	. CAP	2	
18	1W1-23318-L0 ✓	. HOLDER, wire	1	
19	509-23489-L0 ✓	. BOOT BAND COMP.	1	
20	1W1-23191-L0 ✓	. BOOT	2	
21	341-92090-60 ✓	. BAND, boot	2	
22	509-23194-L0 ✓	. SCREW	2	
23	2X7-23340-00-33 ✓	. UNDER BRACKET COMP.	1	Yamaha Black
24	90109-08397 ✓	. BOLT	4	
25	95311-08600 ✓	. NUT, hexagon	4	
26	92901-08100 ✓	. WASHER, spring	4	
27	90201-08544 ✓	. WASHER, plate	2	
28	1W1-23317-01 ✓	. HOLDER, wire	1	
29	1W1-23389-00 ✓	. GUIDE, wire	1	
30	509-23158-L0 ✓	. PACKING	2	
31	278-23181-50 ✓	. BOLT	2	
32	122-23129-00 ✓	. GASKET, drain plug	2	
33	122-23119-01 ✓	. PLUG, drain	2	

Fig. 19 FRONT FORK

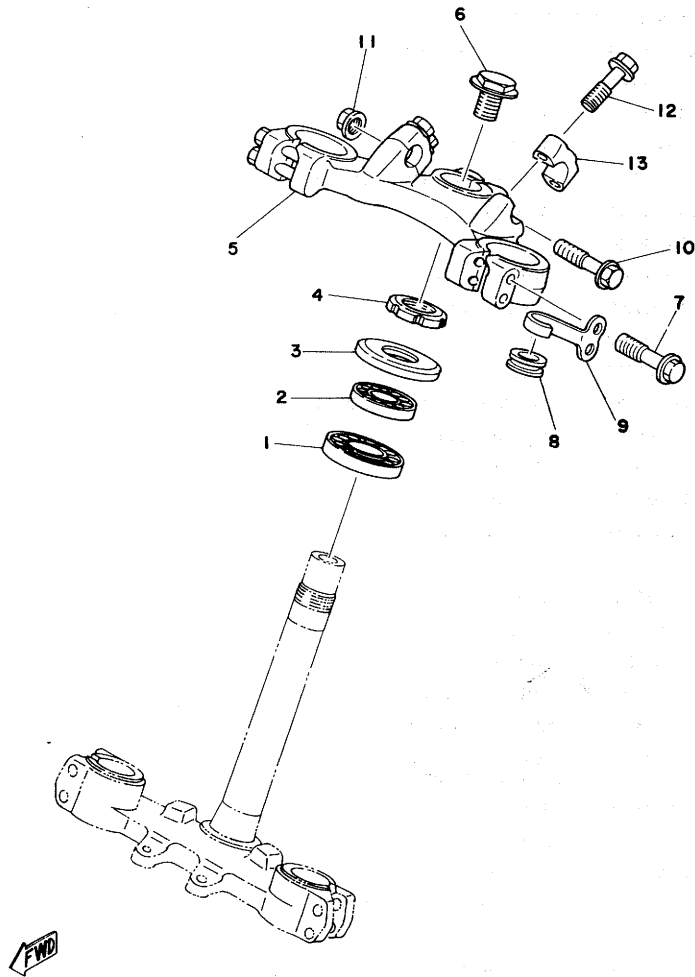


Ref.No.	Part No.	Description	Q'ty	Remarks
19-34	1W2-23485-00 ✓	PLATE, number	1	
35	1W2-23395-00 ✓	EMBLEM	1	
36	1W2-23318-00 ✓	HOLDER, wire	1	
37	98501-05018 ✓	SCREW, panhead	1	
38	92901-05600 ✓	WASHER, plate	1	
39	95301-05600 ✓	NUT, hexagon	1	

ALTERNATE PARTS

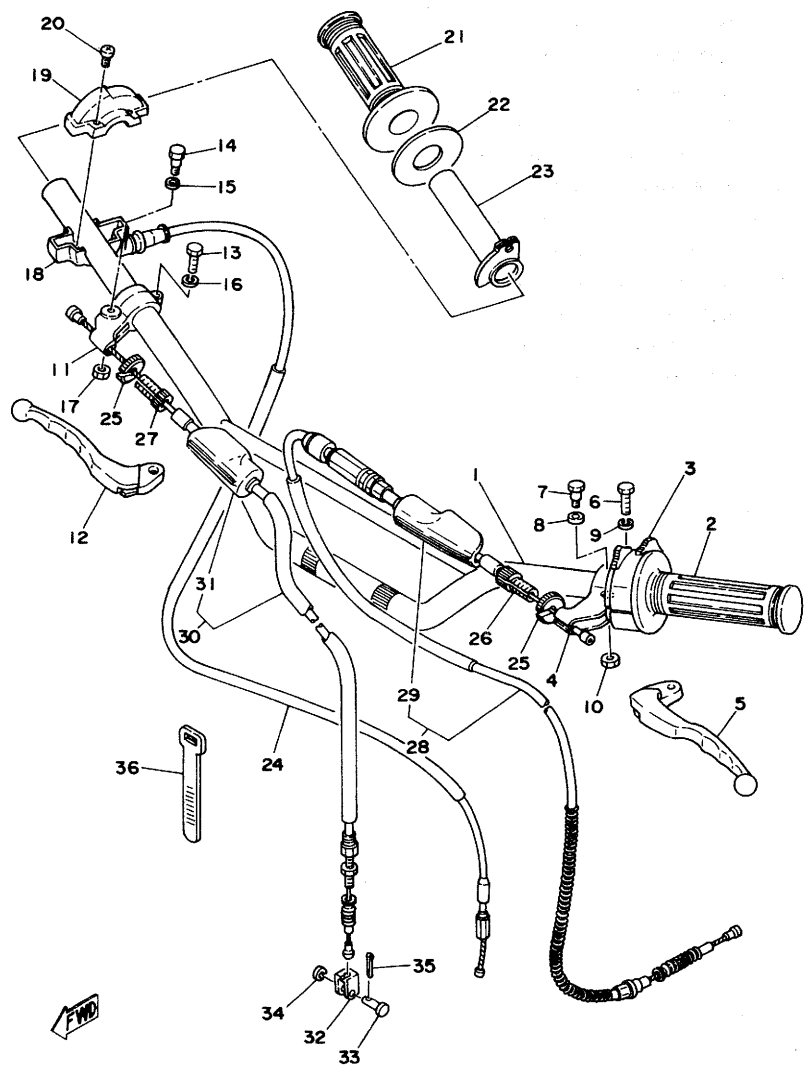
✓ 13	2X7-23141-10 ✓	SPRING, front fork ($K_1=0.3$ kg/mm, $K_2=0.432$ kg/mm)	2	Soft, Use spacer (1W1-10) with set
✓	2X7-23141-20 ✓	SPRING, front fork ($K=0.4$ kg/mm)	2	Hard, Use spacer (1W1-L0) with set
15	1W1-23118-10 ✓	SPACER (27 ϕ -80L)	2	
	1W1-23118-L0 ✓	SPACER (27 ϕ -40L)	2	

Fig. 20 STEERING



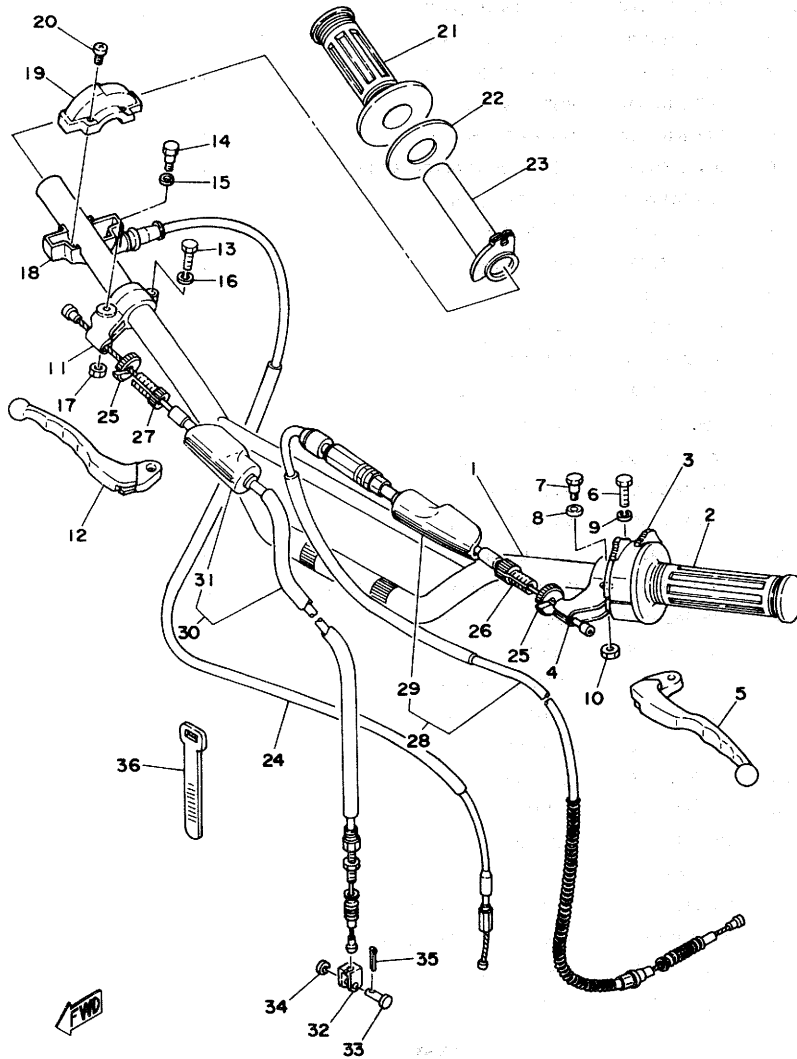
Ref.No.	Part No.	Description	Q'ty	Remarks
20- 1	93332-00008 ✓	BEARING	1	
2	93332-00001 ✓	BEARING	1	
3	1W1-23416-00 ✓	COVER, ball race	1	
4	90179-25033 ✓	NUT (137-23454-00)	1	
5	1W1-23435-01-98 ✓	CROWN, handle	1	Low Gloss Black
6	90105-14060 ✓	BOLT	1	
7	95821-08040 ✓	BOLT, flange	4	
8	1W1-23389-00 ✓	GUIDE, wire	1	
9	1W1-23317-01 ✓	HOLDER, wire	1	
10	95821-08055 ✓	BOLT, flange	1	
11	95701-08100 ✓	NUT, flange	1	
12	95821-08035 ✓	BOLT, flange	4	
13	1E6-23441-00-98 ✓	HOLDER, handle upper	2	Low Gloss Black

Fig. 21 HANDLE · WIRE



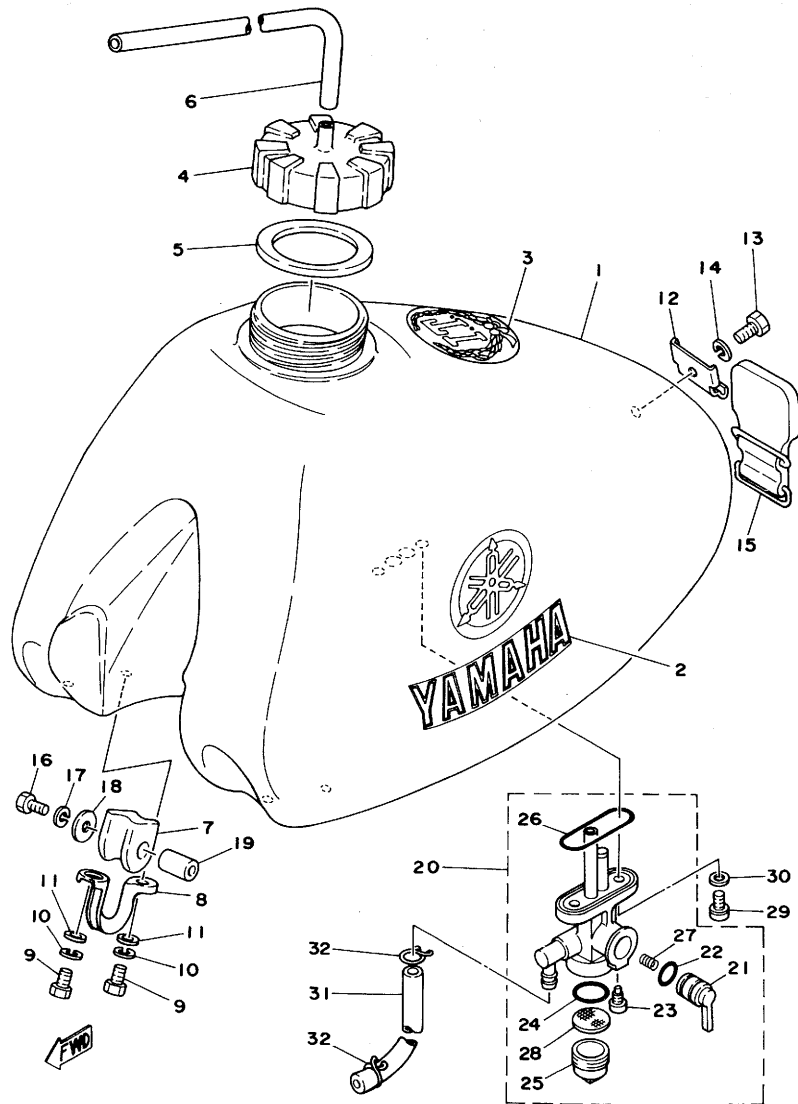
Ref.No.	Part No.	Description	Q'ty	Remarks
21- 1	1W1-26111-02 ✓	HANDLE	1	Low Gloss Black
2	583-26241-00 ✓	GRIP, left	1	
3	1W2-83973-00-98 ✓	SWITCH, handle 3	1	Low Gloss Black
4	461-82911-00 ✓	HOLDER, lever left	1	Low Gloss Black
5	2K6-83912-00 ✓	LEVER, left	1	
6	97301-06022 ✓	BOLT, hexagon	1	
7	90109-06410 ✓	BOLT	1	
8	90201-08083 ✓	WASHER, plate (156-27226-00)	1	
9	92901-06100 ✓	WASHER, spring	1	
10	95601-06100 ✓	NUT, U	1	
11	516-82921-30 ✓	HOLDER, lever right	1	Low Gloss Black
12	2K6-83922-00 ✓	LEVER, right	1	
13	97301-06022 ✓	BOLT, hexagon	1	
14	90109-06410 ✓	BOLT	1	
15	90201-08083 ✓	WASHER, plate (156-27226-00)	1	
16	92901-06100 ✓	WASHER, spring	1	
17	95601-06100 ✓	NUT, U	1	
18	322-26281-00-98 ✓	CAP, grip upper	1	
19	322-26282-00 ✓	CAP, grip under	1	
20	98503-05015 ✓	SCREW, panhead	2	
21	583-26242-00 ✓	GRIP, right	1	
22	1W1-26249-00 ✓	RING, leaf	1	
23	322-26243-00 ✓	TUBE, guide	1	
24	1W6-26311-01 ✓	WIRE, throttle 1 (1210mm)	1	
25	90179-08148 ✓	NUT (168-26344-00)	2	
26	90123-08013 ✓	BOLT, wire adjusting (156-26346-00)	1	
27	90123-08046 ✓	BOLT, wire adjusting	1	
28	2K7-26335-00 ✓	WIRE, clutch (1150mm)	1	
29	382-26372-01 ✓	. COVER, lever	1	
30	1W4-26341-02 ✓	WIRE, brake front (1230mm)	1	
31	382-26372-01 ✓	. COVER, lever	1	
32	156-26347-00 ✓	JOINT, wire	1	
33	90240-08012 ✓	PIN, with hole (156-27229-00)	1	

Fig. 21 HANDLE · WIRE



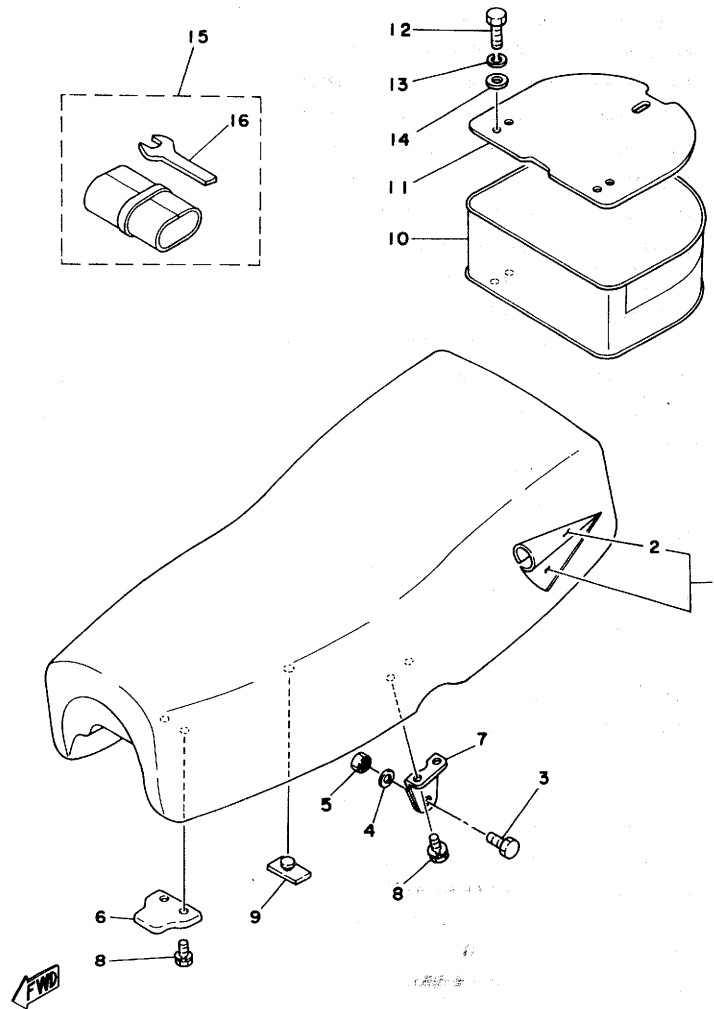
Ref.No.	Part No.	Description	Q'ty	Remarks
21-34	90201-08083 ✓	WASHER, plate (158-27226-00)	1	
35	91401-20012 ✓	PIN, cotter	1	
36	437-83936-00 ✓	BAND, switch cord	2	

Fig. 22 FUEL TANK



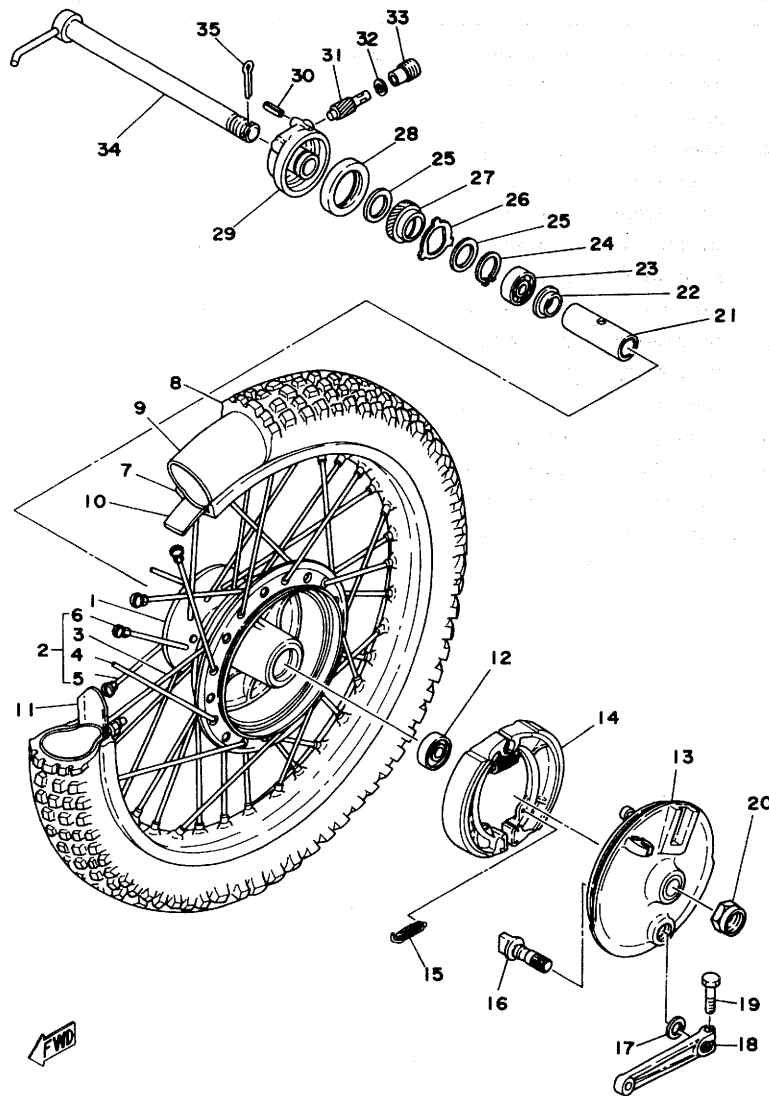
Ref.No.	Part No.	Description	Q'ty	Remarks
22- 1	1W6-24110-00 ✓	FUEL TANK COMP.	1	Sky Blue
2	2W6-24161-00 ✓	EMBLEM, fuel tank	2	
3	1W2-24162-00 ✓	GRAPHIC, fuel tank	1	
4	1K7-24611-01 ✓	BODY, tank cap	1	
5	1K7-24612-02 ✓	GASKET, tank cap	1	
6	90445-09117 ✓	HOSE (178-14766-00 90445-09117)	1	
7	1W1-24182-01 ✓	DAMPER, locating 2	2	
8	1W1-24144-01 ✓	HOLDER, damper	2	
9	97301-06012 ✓	BOLT, hexagon	4	
10	92901-06100 ✓	WASHER, spring	4	
11	92901-06600 ✓	WASHER, plate	4	
12	1W1-24192-00 ✓	BRACKET, fuel tank	1	
13	97301-06012 ✓	BOLT, hexagon	1	
14	92901-06100 ✓	WASHER, spring	1	
15	1W1-24173-00 ✓	BAND, tank fitting 1	1	
16	97321-06035 ✓	BOLT, hexagon	2	
17	92901-06100 ✓	WASHER, spring	2	
18	90201-06407 ✓	WASHER, plate	2	
19	90387-07393 ✓	COLLAR (308-04567-00 90387-07393)	2	
20	2W6-24500-00 ✓	FUEL COCK ASS'Y	1	
21	2W6-24524-00 ✓	. LEVER, cock	1	
22	2N3-24528-00 ✓	. WASHER, fuel cock lever	1	
23	2N3-24535-00 ✓	. SCREW, panhead	2	
24	357-24522-10 ✓	. O-RING	1	
25	357-24521-10 ✓	. CUP, filter	1	
26	2W6-24512-00 ✓	. O-RING	1	
27	2W6-24529-00 ✓	. SPRING	1	
28	2W6-24561-00 ✓	. NET, filter	1	
29	90149-06011 ✓	SCREW (256-24143-00 90149-06011)	2	
30	90202-06010 ✓	WASHER, plate (178-14766-00 90202-06010)	2	
31	90445-11182 ✓	HOSE (7-300 90445-11182)	1	
32	90467-10008 ✓	CLIP (143-24356-00 90467-10008)	2	

Fig. 23 SEAT



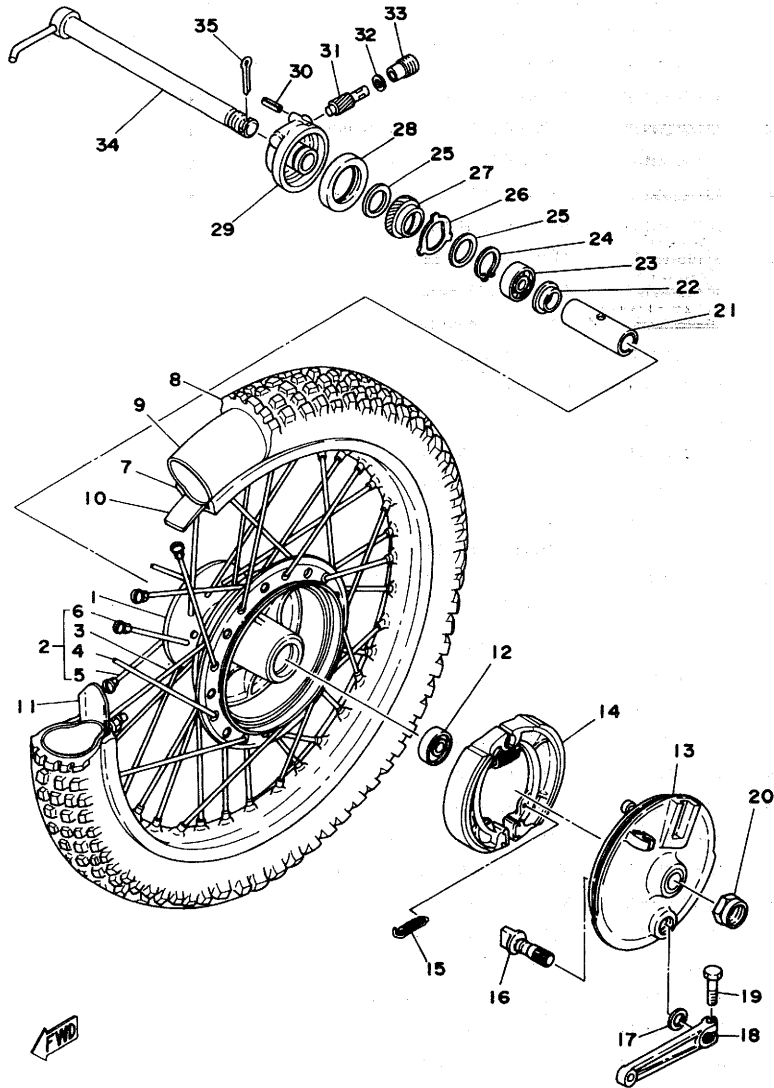
Ref.No.	Part No.	Description	Q'ty	Remarks
23-1	2X7-24771-00 ✓	SEMI DOUBLE SEAT ASS'Y	1	
2	2X7-24771-00 ✓	. COVER, seat	1	
3	97301-06035 ✓	BOLT, hexagon	2	
4	92901-06200 ✓	WASHER, plain	2	
5	95601-06100 ✓	NUT, U	2	
6	1M1-24748-00 ✓	BRACKET, seat front	1	
7	1W1-24738-00 ✓	BRACKET, seat rear	2	
8	90101-06304 ✓	BOLT	6	
9	509-24724-00 ✓	DAMPER, seat	6	
10	1W2-24850-00 ✓	BOX CARRIER ASS'Y	1	
11	1W2-24833-00 ✓	BRACKET, carrier	1	
12	97301-06018 ✓	BOLT, hexagon	3	
13	92901-06100 ✓	WASHER, spring	3	
14	90201-06067 ✓	WASHER, plate	3	
15	1W2-28100-10 ✓	TOOL ASS'Y	1	
16	1W1-28135-00 ✓	. SPANNER, special	1	

Fig. 24 FRONT WHEEL



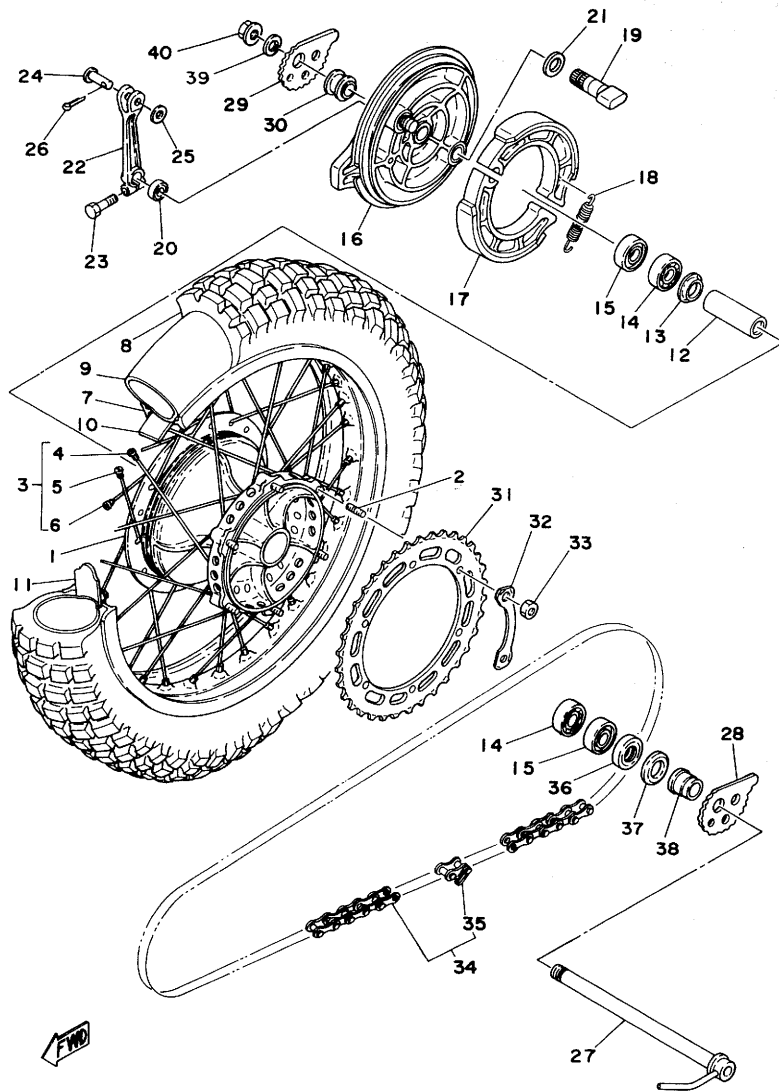
Ref.No.	Part No.	Description	Q'ty	Remarks
24-1	1K7-25111-10-98	HUB, front	1	Low Gloss Black
2	2W6-25104-00	SPOKE SET, front	18	
3	2W6-25196-90	SPOKE SET, inner left (10PCS)	18	
4	2W6-25197-90	SPOKE SET, outer left (10PCS)	18	
5	2W6-25179-90	SPOKE SET, inner right (10PCS)	18	
6	2W6-25189-90	SPOKE SET, outer right (10PCS)	18	
7	94416-21700	RIM, front (10021A-00)	1	
8	94430-24517	TIRE, front (300x21)	1	
9	94200-24126	TUBE, front (300x21)	1	
10	94327-21024	BAND, rim (300x21)	1	
11	1T1-25194-00	SPACER, bead	1	
12	93306-20203	BEARING (6202RS)	1	
13	1W1-25121-01-98	PLATE, brake shoe	1	Low Gloss Black
14	322-25130-00	BRAKE SHOE COMP.	2	
15	90506-16036	SPRING, tension (183-25333-00)	2	
16	322-25151-00	CAMSHAFT	1	
17	137-25159-00	SEAL, camshaft	1	
18	322-25155-00	LEVER, camshaft	1	
19	90101-06291	BOLT, hexagon	1	
20	90171-14020	NUT, castle	1	
21	90560-15116	SPACER (322-25117-00)	1	
22	146-25116-00	FLANGE, spacer	1	
23	93306-20205	BEARING (6202)	1	
24	93410-22014	CIRCLIP (52)	1	
25	90201-22283	WASHER, plate (214-25147-00)	2	
26	1K7-25149-00	CLUTCH, meter	1	
27	1W2-25135-00	GEAR, drive	1	
28	93105-40020	OIL SEAL (SDD-40-52-6)	1	
29	1W2-25191-00	HOUSING, gear unit	1	
30	91609-20014	PIN, spring	1	
31	1W2-25138-00	GEAR, meter	1	
32	102-18416-00	SHIM (62-950-8)	1	
33	306-25136-00	BUSHING	1	

Fig. 24 FRONT WHEEL



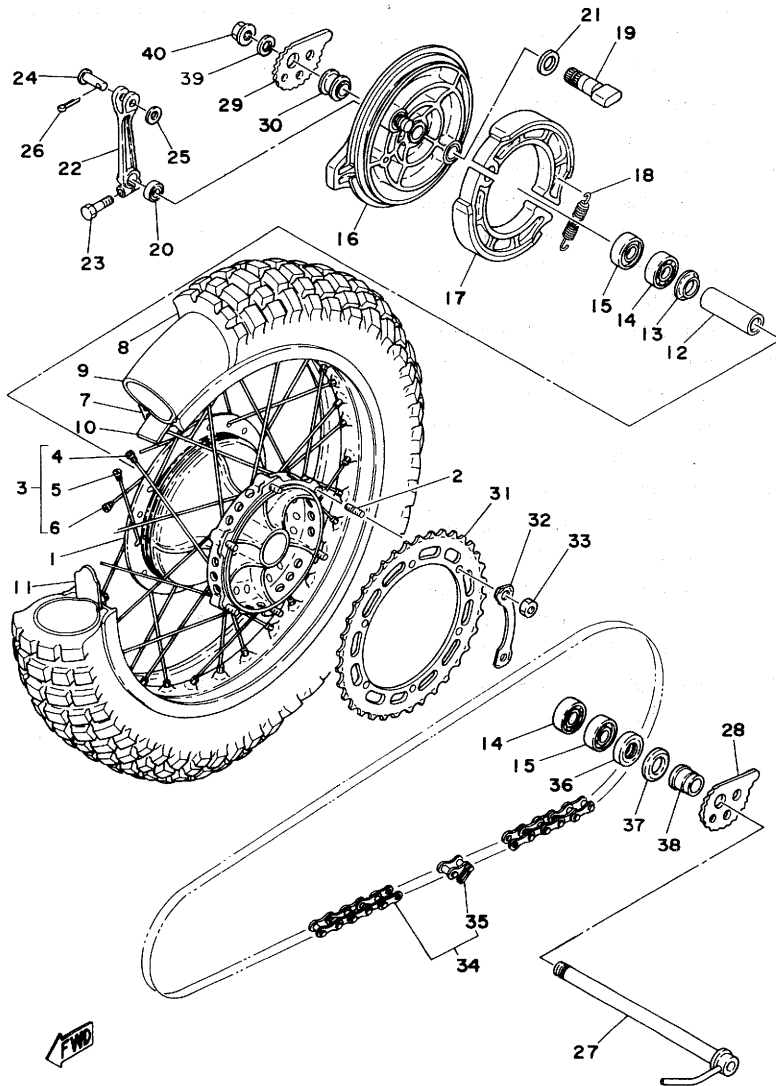
Ref.No.	Part No.	Description	Q'ty	Remarks
24-34	1W2-25181-00 ✓	SHAFT, wheel	1	
35	91401-30030 ✓	PIN, cotter	1	

Fig. 25 REAR WHEEL



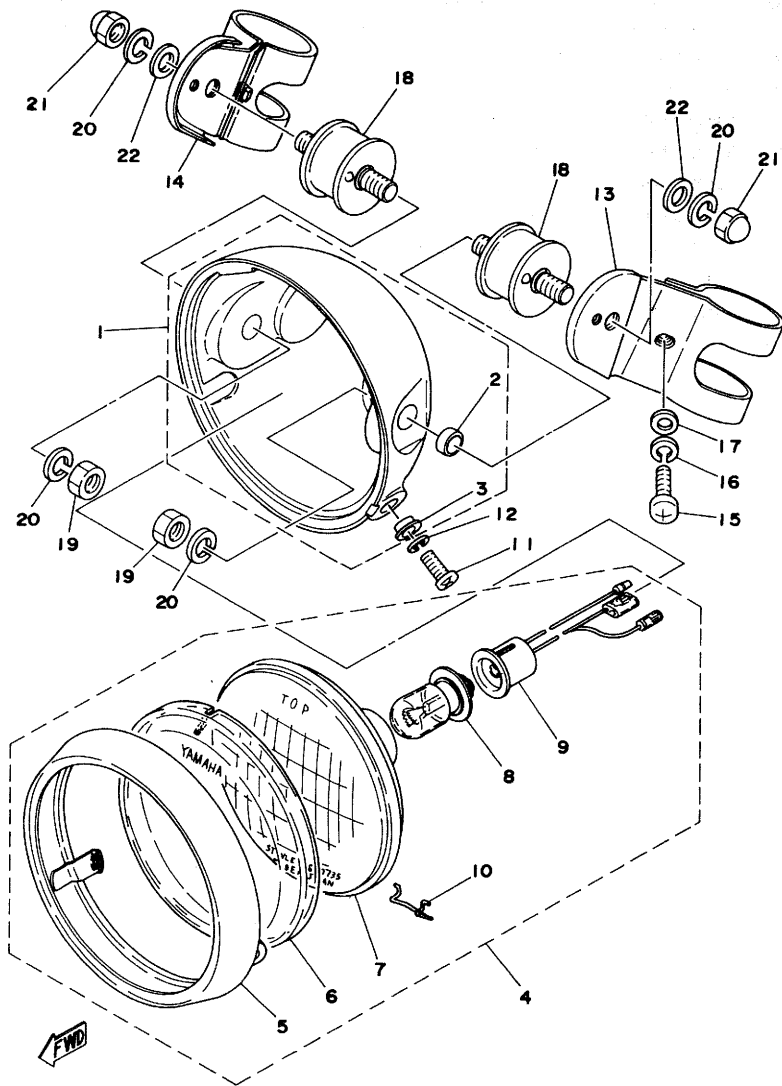
Ref.No.	Part No.	Description	Q'ty	Remarks
25- 1	483-25311-13-98 ✓	HUB, rear	1	Low Gloss Black
2	90116-08218 ✓	BOLT, stud	6	
3	431-25304-00 ✓	SPOKE SET, rear	14	
4	431-25304-00 NOT SOLD SEPARATELY ✓	SPOKE SET, inner left (40 PCS)	14	
5	431-25304-00 NOT SOLD SEPARATELY ✓	SPOKE SET, inner right (40 PCS)	14	
6	431-25304-00 NOT SOLD SEPARATELY ✓	SPOKE SET, outer right (10 PCS)	14	
7	94421-18105 ✓ 450 x 18 ✓	RIM, rear (246-25333-00)	1	
8	94421-18105 450 x 18 ✓	TIRE, rear (450-18-4PR)	1	
9	94421-18105 450 x 18 ✓	TUBE, rear (450-18)	1	
10	94421-18105 94225-18043 ✓	BAND, rim (450-18)	1	
11	1T1-25394-01 ✓	SPACER, bead	2	
12	483-25317-01 ✓	SPACER, bearing	1	
13	483-25315-00 ✓	FLANGE, spacer	1	
14	93306-20309 ✓	BEARING (6203)	2	
15	93306-20310 ✓	BEARING (6203RS)	2	
16	1W6-25321-00-98 ✓	PLATE, brake shoe	1	Low Gloss Black
17	2X4-25330-00 ✓	BRAKE SHOE COMP.	2	
18	90507-20002 ✓	SPRING, tension (246-25333-00)	2	
19	1E2-25151-00 ✓	CAMSHAFT	1	
20	148-25359-00 ✓	SEAL, camshaft	1	
21	90564-14021 ✓	SHIM	1	
22	431-25355-00 ✓	LEVER, camshaft	1	
23	90101-06291 ✓	BOLT, hexagon	1	
24	1W2-27237-00 ✓	PIN, brake pedal	1	
25	90201-12631 ✓	WASHER, plate	1	
26	91401-25022 ✓ 25	PIN, cotter	1	
27	1W6-25381-00 ✓	SHAFT, wheel	1	
28	1M1-25388-01 ✓	PULLER, chain left	1	
29	1M1-25389-01 ✓	PULLER, chain right	1	
30	90387-17618 ✓	COLLAR	1	
31	583-25444-10 ✓	GEAR, sprocket wheel (44T)	1	ul.
	583-25446-10 ✓	GEAR, sprocket wheel (46T)	1	ul. STD
	583-25448-10 ✓	GEAR, sprocket wheel (48T)	1	ul.

Fig. 25 REAR WHEEL



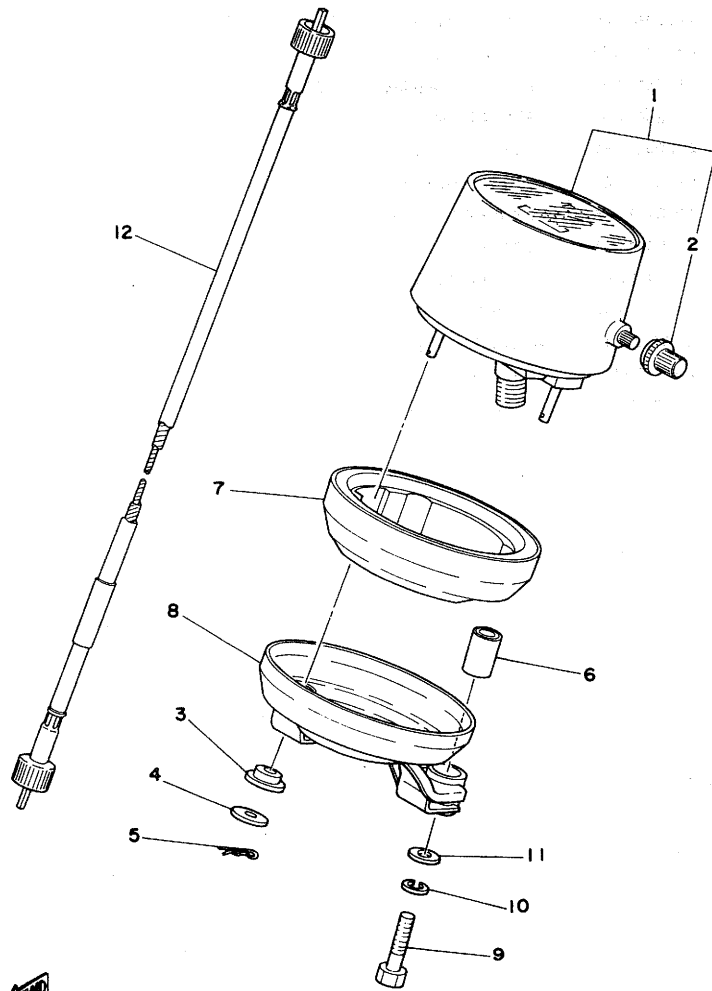
Ref.No.	Part No.	Description	Q'ty	Remarks
25-32	583-25412-00 ✓	WASHER, lock	3	
33	90170-08193 ✓	NUT	6	
34	90170-08193 520 x 102 L 90170-08193 520 90170-08193 520	CHAIN (SD-20DS-102L (5/8 x 1/4 x 102L))	1	
35	90170-08193 520	. JOINT, chain	1	
36	93102-25030 ✓	OIL SEAL (SD-25-40-8)	1	
37	431-25367-00 ✓	COVER, dust	1	
38	90387-17431 ✓	COLLAR (431-25376-01)	1	
39	92901-16100 ✓	WASHER, spring	1	
40	90179-16007 ✓	NUT, shaft	1	

Fig. 26 HEAD LAMP



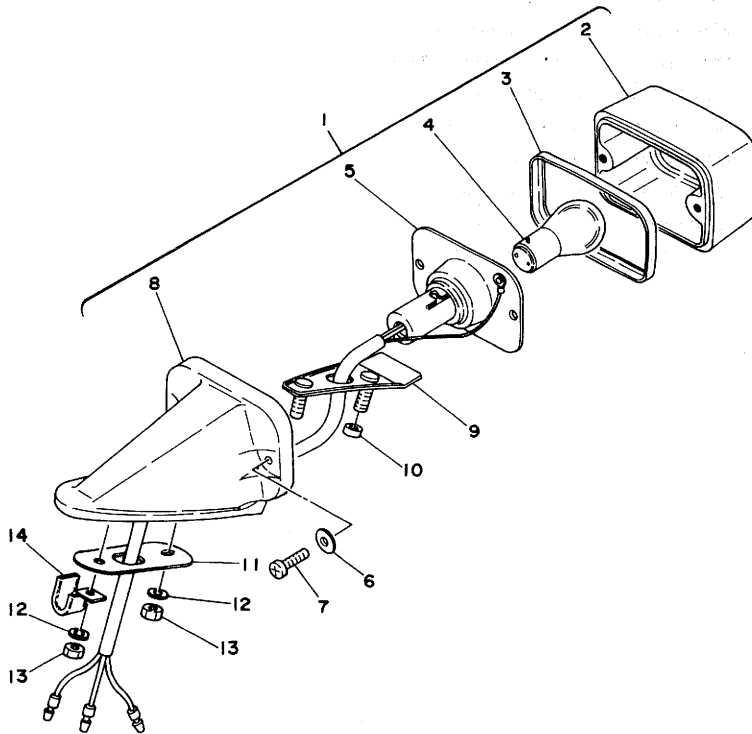
Ref.No.	Part No.	Description	Q'ty	Remarks
26- 1	1W2-84130-60-33 ✓	HEAD LAMP BODY ASS'Y	1	Yamaha Black
2	1W2-84145-60 ✓	COLLAR, body fitting	2	
3	1L9-84338-60 ✓	COLLAR, screw	1	
4	1W2-84110-60 ✓	HEAD LAMP UNIT ASS'Y	1	
5	1W2-84115-60 ✓	RIM, head lamp	1	
6	1W2-84144-60 ✓	COVER, head lamp	1	
7	1W2-84120-60 ✓	LENS ASS'Y	1	
8	206-84114-60 ✓	BULB, head lamp (6V-25/25W)	1	
9	1W2-84112-60 ✓	SOCKET CORD ASS'Y	1	
10	1W2-84324-60 ✓	SPRING, reflector set	4	
11	98503-05015 ✓	SCREW, panhead	1	
12	92901-05100 ✓	WASHER, spring	1	
13	1W2-84118-00-33 ✓	STAY, head lamp left	1	Yamaha Black
14	1W2-84119-00-33 ✓	STAY, head lamp right	1	Yamaha Black
15	92501-06020 ✓	SCREW, panhead	2	
16	92901-06100 ✓	WASHER, spring	2	
17	92901-06600 ✓	WASHER, plate	2	
18	1W2-84143-00 ✓	DAMPER, head lamp stay	2	
19	95301-08600 ✓	NUT, hexagon	2	
20	92901-08100 ✓	WASHER, spring	4	
21	95301-08800 ✓	NUT, crown	2	
22	92901-08600 ✓	WASHER, plate	2	

Fig. 27 SPEEDOMETER



Ref.No.	Part No.	Description	Q'ty	Remarks
27 1	2X7-83570-A0	SPEEDOMETER ASS'Y	1	Mile/h
	2X7-83570-F0 ✓	SPEEDOMETER ASS'Y	1	Km/h
2	1E6-83578-60 ✓	. KNOB, trip meter	1	
3	1M1-83526-00 ✓	DAMPER	2	
4	1E6-83524-60 ✓	WASHER	2	
5	90468-12007 ✓	CLIP (302-25375-00)	2	
6	90385-06001 ✓	BUSHING (244-83528-00)	2	
7	1W2-83513-00 ✓	DAMPER, meter	1	
8	1W2-83519-00 ✓	BRACKET, meter	1	
9	97321-06030 ✓	BOLT, hexagon	2	
10	92901-06100 ✓	WASHER, spring	2	
11	92901-06600 ✓	WASHER, plate	2	
12	1W2-83550-01 ✓	SPEEDOMETER CABLE ASS'Y	1	

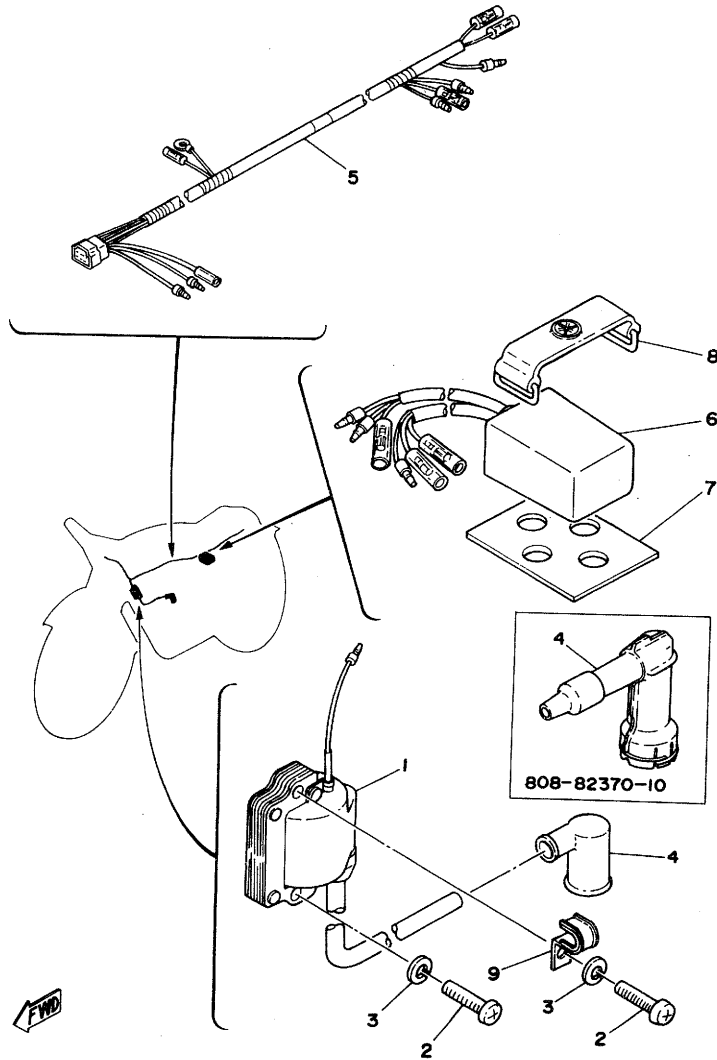
Fig. 28 TAIL LAMP



FWD

Ref.No.	Part No.	Description	Q'ty	Remarks
28- 1	434-84500-64 ✓	TAIL LAMP ASS'Y	1	
2	434-84521-69 ✓	. LENS, tail lamp	1	
3	434-84515-61 ✓	. RIM, tail lamp	1	
4	122-84514-30 ✓	. BULB, tail lamp (6V-17/5.3W)	1	
5	434-84517-61 ✓	. SOCKET, tail lamp	1	
6	434-84522-61 ✓	. WASHER, plain	2	
7	434-84524-61 ✓	. SCREW, panhead	2	
8	434-84519-61 ✓	. BRACKET, tail lamp	1	
9	434-84511-63 ✓	. BRACKET	1	
10	434-84557-60 ✓	. COLLAR (8-18-5-6.5)	2	
11	1W2-84525-00 ✓	WASHER, special	1	
12	92901-05100 ✓	WASHER, spring	2	
13	95301-05600 ✓	NUT, hexagon	2	
14	90462-05005 ✓	CLAMP (363-15485-01)	1	

Fig. 29 ELECTRICAL



Ref.No.	Part No.	Description	Q'ty	Remarks
29- 1	1M2-82310-40 ✓	IGNITION COIL ASS'Y	1	
2	92501-06025 ✓	SCREW, panhead	2	
3	92901-06100 ✓	WASHER, spring	2	
4	294-82370-20	PLUG CAP ASS'Y		
	808-82370-10 ✓	PLUG CAP ASS'Y (with Noise Suppressor)	1	
5	1W6-82590-00 ✓	WIRE HARNESS ASS'Y	1	
✓ 6	2X9 2K6-85540-20 ✓	C.D.I. UNIT ASS'Y	1	
7	2K7-85547-00 ✓	DAMPER	1	
8	288-21376-00 ✓	BAND, battery	1	
9	90462-05005 ✓	CLAMP (302-15285-01)	1	

REPAIR KIT

Fig. 30 REPAIR KIT

Ref.No.	Part No.	Description	Q'ty	Remarks
30-1	2X8-11630-00	PISTON ASS'Y (STD)	1s	
	2X8-11630-10	PISTON ASS'Y (1st O.S)	1s	
	2X8-11630-20	PISTON ASS'Y (2nd O.S)	1s	
	2X8-11630-30	PISTON ASS'Y (3rd O.S)	1s	
	2X8-11630-40	PISTON ASS'Y (4th O.S)	1s	
✓ 4M 2	2X8-11631-00-96	PISTON (84.96mm STD)	1	} U.R. Ref. No. 4-8
✓ 4M 5	2X8-11631-00-97	PISTON (84.97mm STD)	1	
✓ 4M 5	2X8-11635-00	PISTON (85.25mm 1st O.S)	1	
✓	2X8-11636-00	PISTON (85.50mm 2nd O.S)	1	
✓	2X8-11637-00	PISTON (85.75mm 3rd O.S)	1	
✓	2X8-11638-00	PISTON (86.00mm 4th O.S)	1	
4M 10 3	2X8-11610-00	PISTON RING SET (STD)	1s	} 4-9
4M 10	2X8-11610-10	PISTON RING SET (1st O.S)	1s	
✓	2X8-11610-20	PISTON RING SET (2nd O.S)	1s	
✓	2X8-11610-30	PISTON RING SET (3rd O.S)	1s	
✓	2X8-11610-40	PISTON RING SET (4th O.S)	1s	
4	1W4-11633-00	PIN, piston	1	4-11
5	93450-19052	CIRCLIP	2	4-12
6	2X5-11650-10	CONNECTING ROD ASS'Y	1s	
7	2X5-11651-10	ROD, connecting	1	4-4
8	2X5-11681-00	PIN, crank	1	4-5
9	93310-42541	BEARING, con-rod big end	1	4-6
10	90209-25085	WASHER (275-11685-00)	2	4-7
11	93310-418E9	BEARING, con-rod small end	1	4-10



NUMERICAL INDEX

NUMERICAL INDEX

Part No.	Ref.No.	Part No.	Ref.No.	Part No.	Ref.No.	Part No.	Ref.No.	Part No.	Ref.No.	Part No.	Ref.No.
1E2-25151-00	25-19	1W1-22226-00	16-20	1W2-23126-01	19- 2	1W3-14175-00	11-45	137-13115-00	2-10	2K7-15621-00	9- 3
1E6-23441-00	20-13	1W1-22472-00	16-13	1W2-23136-01	19- 3	1W3-14178-00	11-40	137-14133-00	11-37	2K7-15641-01	9-16
1E6-83524-60	27- 4	1W1-22497-00	16- 4	1W2-23318-00	19-36	1W4-11633-00	4-11	137-14143-68	11- 4	2K7-15651-00	6-36
1E6-83578-60	27- 2	1W1-23114-L0	19-16	1W2-23395-00	19-35	1W4-14457-00	10- 8	137-14143-70	11- 4	2K7-15661-01	9-18
1G8-15362-00	3-10	1W1-23118-10	19-15	1W2-23485-00	19-34	1W4-15383-00	6-14	137-14143-72	11- 4	2K7-15664-00	9-10
1G8-23144-L1	19- 6		19-15	1W2-24162-00	22- 3	1W4-16357-00	5-19	137-25159-00	24-17	2K7-15668-00	9-24
1K7-23145-00	19- 4	1W1-23118-L0	19-15	1W2-24833-00	23-11	1W4-17461-30	6-33	146-25116-00	24-22	2K7-15671-01	9-19
1K7-24611-01	22- 4	1W1-23142-L0	19-14	1W2-24850-00	23-10	1W4-17461-40	6-33	148-25359-00	25-20	2K7-15676-00	9-13
1K7-24612-02	22- 5	1W1-23148-L0	19- 7	1W2-25135-00	24-27	1W4-17461-50	6-33	156-26347-00	21-32	2K7-16150-00	5- 2
1K7-25111-10-98	24- 1	1W1-23156-L0	19- 5	1W2-25138-00	24-31	1W4-22141-00	15-10	164-14137-00	11-22	2K7-16154-00	5-17
1K7-25149-00	24-26	1W1-23168-L0	19- 8	1W2-25181-00	24-34	1W4-26341-02	21-30	168-15676-00	9-21	2K7-16181-00	5-16
1L9-84338-60	26- 3	1W1-23173-L0	19- 9	1W2-25191-00	24-29	1W4-27311-00	17- 1	193-14142-50	11- 2	2K7-18101-00	8-16
1M1-14169-00	11-31	1W1-23191-L0	19-20	1W2-27237-00	25-24	1W6-11161-00	1-18	2A0-14122-00	11-34	2K7-18122-01	7-24
1M1-14714-00	12-11	1W1-23317-01	19-28	1W2-27239-00	17-28	1W6-14781-00	12-25	2K5-27231-00	17-23	2K7-18141-00	7- 2
1M1-16351-00	5- 6		20- 9	1W2-27242-00	17-15	1W6-18113-00	8- 3	2K6-2148A-02	14-31	2K7-18151-00	7-26
1M1-16356-00	5- 9	1W1-23318-L0	19-18	1W2-28100-10	23-15	1W6-18162-00	8- 2	2K6-22178-00	14-32	2K7-18531-00	7-21
1M1-21621-00	18-15	1W1-23389-00	19-29	1W2-83513-00	27- 7	1W6-21711-00	14-24	2K6-22213-00	16- 7	2K7-18535-01	7-22
1M1-24748-00	23- 6		20- 8	1W2-83519-00	27- 8	1W6-21721-00	14-25	2K6-83912-00	21- 5	2K7-21424-00	14- 9
1M1-25388-01	25-28	1W1-23416-00	20- 3	1W2-83550-01	27-12	1W6-22179-00	15-13	2K6-83922-00	21-12	2K7-21427-00	14- 6
1M1-25389-01	25-29	1W1-23435-01-98	20- 5	1W2-83973-00-98	21- 3	1W6-22318-00	15-37	2K7-13565-00	10-17	2K7-21428-00	14- 7
1M1-83526-00	27- 3	1W1-24144-01	22- 8	1W2-84110-60	26- 4	1W6-24110-00	22- 1	2K7-13613-00	10-20	2K7-21459-00	14- 8
1M2-82310-40	29- 1	1W1-24173-00	22-15	1W2-84112-60	26- 9	1W6-25321-00-98	25-16	2K7-13621-00	10-24	2K7-21620-00	18-14
1M2-85509-20	13- 3	1W1-24181-00	14-20	1W2-84115-60	26- 5	1W6-25381-00	25-27	2K7-14411-01	10- 1	2K7-22214-00	16- 8
1T1-25194-00	24-11	1W1-24182-01	22- 7	1W2-84118-00-33	26-13	1W6-26311-01	21-24	2K7-14412-00	10- 2	2K7-26335-00	21-28
1T1-25394-01	25-11	1W1-24183-00	14-21	1W2-84119-00-33	26-14	1W6-82590-00	29- 5	2K7-14450-00	10- 3	2K7-85547-00	29- 7
1W1-14171-00	11-38	1W1-24192-00	22-12	1W2-84120-60	26- 7	1W6-85513-20	13- 5	2K7-15113-00	2-17	2K9-18561-00	7- 6
1W1-18136-00	14-34	1W1-24738-00	23- 7	1W2-84130-60-33	26- 1	102-18416-00	24-32	2K7-15381-00	7-28	2N0-22178-00	15-15
1W1-22128-00	15-48	1W1-25121-01-98	24-13	1W2-84143-00	26-18	104-81328-20	13-13	2K7-15383-00	6-28	2N3-24528-00	22-22
1W1-22187-00	15-14	1W1-26111-02	21- 1	1W2-84144-60	26- 6	122-23119-01	19-33	2K7-15421-00	3- 2	2N3-24535-00	22-23
1W1-22216-00	16- 2	1W1-26249-00	21-22	1W2-84145-60	26- 2	122-23129-00	19-32	2K7-15431-01	3- 6	2N6-11127-00	1-16
1W1-22219-00	16- 3	1W1-28135-00	23-16	1W2-84324-60	26-10	122-84514-30	28- 4	2K7-15441-02	2-13	2W6-22151-00	15- 9
1W1-22221-00	16-11	1W2-11161-00	1-15	1W2-84525-00	28-11	127-14161-00	11-33	2K7-15462-00	3- 7	2W6-22153-00	15-21
1W1-22223-00	16-15	1W2-21511-00	18- 1	1W3-14123-00	11-36	127-14186-00	11- 9	2K7-15611-00-33	9- 1	2W6-22228-00	16-10
1W1-22224-00	16-14	1W2-21611-00	18- 7	1W3-14158-00	11-29	132-15644-00	9-23	2K7-15618-00	9- 2	2W6-22489-00	16-17

NUMERICAL INDEX

Part No.	Ref.No.	Part No.	Ref.No.	Part No.	Ref.No.	Part No.	Ref.No.	Part No.	Ref.No.	Part No.	Ref.No.
2W6-22493-00	16-12	2X5-16111-00	4-17	2X7-24771-00	23-2	2X8-85500-20	13-1	357-24522-10	22-24	498-27235-00	17-20
2W6-24161-00	22-2	2X5-16301-00	5-1	2X7-27211-00-33	17-14	2X8-85540-20	29-6	360-16325-00	5-5	500-14115-00	11-15
2W6-24500-00	22-20	2X5-16371-00	5-3	2X7-27422-00	17-7	2X9-85512-20	13-4	363-14126-00	11-27	509-14136-00	11-25
2W6-24512-00	22-26	2X5-17121-00	6-8	2X7-83570-A0	27-1	2X9-85550-20	13-2	363-14131-00	11-26	509-14145-00	11-3
2W6-24524-00	22-21	2X5-17131-00	6-5	2X7-83570-F0	27-1	2X9-85580-20	13-9	363-14137-00	11-28	509-14155-01	11-32
2W6-24529-00	22-27	2X5-17221-00	6-17	2X7-85515-20	13-12	206-84114-60	26-8	363-14184-00	11-12	509-14198-00	11-30
2W6-24561-00	22-28	2X5-17231-00	6-22	2X8-11111-00	1-1	214-11198-01	1-13	363-14187-00	11-8	509-14274-00	11-23
2W6-25104-00	24-2	2X5-17421-00	6-16	2X8-11610-00	4-9		7-15	363-14190-35	11-6	509-23158-L0	19-30
2W6-25179-90	24-5	2X5-18511-00	7-17	2X8-11610-10	4-9	214-14118-00	11-10	382-26372-01	21-29	509-23194-L0	19-22
2W6-25189-90	24-6	2X5-18512-00	7-18	2X8-11610-20	4-9	214-14185-00	11-7		21-31	509-23489-L0	19-19
2W6-25196-90	24-3	2X5-18513-00	7-19	2X8-11610-30	4-9	214-15674-00	9-25	383-16321-00	5-4	509-24724-00	23-9
2W6-25197-90	24-4	2X5-18541-00	7-1	2X8-11610-40	4-9	214-15686-00	9-26	431-25304-00	25-3	510-14112-30	11-20
2W6-27411-00	17-9	2X7-14753-00	12-13	2X8-11630-00	30-1	214-17481-00	5-21	431-25355-00	25-22	510-14141-44	11-19
2W6-27421-00	17-10	2X7-14787-00	12-29	2X8-11630-10	30-1	214-18131-00	8-12	431-25367-00	25-37	510-14146-00	11-11
2X4-16380-00	5-20	2X7-15411-00	3-1	2X8-11630-20	30-1	239-14116-16	11-21	431-25391-90	25-5	510-14181-16	11-13
2X4-21415-00	14-2	2X7-15451-00	3-5	2X8-11630-30	30-1	239-14195-00	11-5	431-25392-90	25-6	510-14197-00	11-47
2X4-22129-00	15-6	2X7-18110-00	8-1	2X8-11630-40	30-1	248-15668-00	9-12	431-25396-90	25-4	516-82921-30	21-11
2X4-25330-00	25-17	2X7-21110-00-33	14-1	2X8-11631-00-96	4-8	256-14135-00	11-39	434-84500-64	28-1	558-14147-00	11-14
2X4-27412-00	17-6	2X7-21471-00	14-16	2X8-11631-00-97	4-8	278-23181-50	19-31	434-84511-63	28-9	565-14747-00	12-18
2X5-11181-00	1-2	2X7-22110-00-33	15-1	2X8-11635-00	4-8	288-21376-00	29-8	434-84515-61	28-3	565-14771-00	12-7
2X5-11311-00	1-3	2X7-22210-00	16-1	2X8-11636-00	4-8		29-9	434-84517-61	28-5	565-21746-00	18-16
2X5-11351-00	1-4	2X7-22311-00	15-25	2X8-11637-00	4-8	294-82370-20	29-4	434-84519-64	28-8	583-25412-00	25-32
2X5-11400-00	4-1	2X7-22313-00	15-36	2X8-11638-00	4-8	306-25136-00	24-33	434-84521-69	28-2	583-25444-10	25-31
2X5-11412-00	4-2	2X7-22401-00	16-18	2X8-14101-00	11-1	310-14197-00	11-46	434-84522-62	28-6	583-25446-10	25-31
2X5-11422-00	4-3	2X7-23101-00	19-1	2X8-14610-00	12-1	313-14146-00	11-16	434-84524-61	28-7	583-25448-10	25-31
2X5-11650-10	30-6	2X7-23110-00	19-10	2X8-14634-00	12-30	322-25130-00	24-14	434-84557-60	28-10	583-26241-00	21-2
2X5-11651-10	4-4	2X7-23111-00	19-17	2X8-14752-00	12-14	322-25151-00	24-16	437-83936-00	14-22	583-26242-00	21-21
2X5-11681-00	4-5	2X7-23141-00	19-13	2X8-17141-00	6-2	322-25155-00	24-18		21-36	648-45533-00-03	15-5
2X5-13610-00	10-19	2X7-23141-10	19-13	2X8-17151-01	6-7	322-26243-00	21-23	461-82911-00	21-4	737-14137-00	11-44
2X5-13616-00	10-21	2X7-23141-20	19-13	2X8-17211-00	6-24	322-26281-00	21-18	483-14781-00	12-3	737-14241-00	11-43
2X5-14453-00	10-14	2X7-23151-00	19-12	2X8-17241-00	6-23	322-26282-00	21-19	483-25311-13-98	25-1	802-14161-00	11-35
2X5-15111-00	2-1	2X7-23170-00	19-11	2X8-17251-01	6-20	341-92090-60	19-21	483-25315-00	25-13	802-14173-00	11-42
2X5-15118-00	2-8	2X7-23340-00-33	19-23	2X8-17411-00	6-1	353-18547-00	7-13	483-25317-01	25-12	802-14174-00	11-41
2X5-15121-00	2-2	2X7-24770-90	23-1	2X8-21786-00	14-30	357-24521-10	22-25	498-11161-00	1-14	803-82591-00	14-23

NUMERICAL INDEX

Part No.	Ref.No.	Part No.	Ref.No.	Part No.	Ref.No.	Part No.	Ref.No.	Part No.	Ref.No.	Part No.	Ref.No.
808-82370-10	29- 4	90179-10201	1-11	90209-22082	6- 6	90460-85138	10-13	90560-12171	8-15	92501-06020	26-15
812-11175-00	1- 6	90179-16007	25-40		6-21	90462-05005	28-14	90560-12179	8-10	92501-06025	29- 2
90101-06291	24-19	90179-18172	4-19	90209-25085	4- 7	90462-08042	2-14	90560-15116	24-21	92501-08010	2- 9
	25-23	90179-20255	6-35	90215-20125	5-11	90462-08043	2-12	90564-14021	25-21	92701-06012	6-15
90101-06304	23- 8	90179-25033	20- 4	90215-21121	6-34	90467-10008	22-32	91316-06025	3- 3		6-29
90101-08428	17-12	90185-08054	14-15	90240-06040	17-24	90467-20030	10- 9		3- 8		7-29
90102-10006	17- 2	90201-06067	10-10	90240-06057	8- 6	90468-12007	27- 5	91316-06030	3- 4	92901-03100	10-23
90105-12096	17- 8		18- 2	90240-08012	21-33	90480-12053	14-29	91316-06045	2- 5	92901-04100	13-11
90105-14060	20- 6		18-11	90240-12060	15-45	90480-13018	18-17	91316-06065	2- 4		13-15
90109-06410	21- 7		23-14	90280-05013	4-20	90480-14102	10- 6	91316-06070	2- 7	92901-05100	11-17
	21-14	90201-06407	22-18	90282-07019	4-21	90480-14198	18- 5	91316-06075	2- 6		13- 8
90109-08397	19-24	90201-06571	14-28	90338-32086	7-12		18-12	91401-20012	8- 8		26-12
90109-08480	15-42	90201-08083	21- 8	90340-14022	1-12	90480-15058	18-18		17-19		28-12
90109-10483	15-17		21-15	90380-12051	16-19	90501-10062	7-14		17-26	92901-05200	15-40
90109-14485	7-16		21-34	90380-16056	15- 4	90501-10245	17-27		21-35	92901-05600	15-39
90116-08218	25- 2	90201-08092	5-13	90385-06001	27- 6	90501-12081	9- 5	91401-20015	15-44		19-38
90116-08262	1- 5	90201-08113	12-20	90387-06020	15-31	90501-16107	9-20	91401-20025	17- 4	92901-06100	2-15
90116-10258	1- 9	90201-08544	19-27	90387-06388	18-13	90501-24408	5- 7	91401-25015	15-50		10-11
90116-10263	1- 8	90201-12588	8-11	90387-06500	15-29	90501-98538	16- 9	91401-25022	25-26		12- 9
90123-08013	21-26	90201-12593	4-24	90387-07391	10- 7	90501-99539	16- 9	91401-30022	15-47		12-16
90123-08046	21-27	90201-12631	25-25		18- 6	90501-99551	16- 9	91401-30030	24-35		15-24
90149-06011	22-29	90201-13202	14-33	90387-07393	22-19	90506-16036	24-15	91609-20014	24-30		15-30
90149-08105	5-12	90201-15234	9- 6	90387-08258	12-19	90506-20128	17-22	91701-06022	17-17		18- 4
90149-08108	5-26	90201-17327	5-23	90387-17431	25-38	90507-20002	25-18	91701-08042	15-49		18-10
90159-06016	5- 8	90201-17545	6-37	90387-17618	25-30	90507-20030	12- 2	91810-16016	1-10		21- 9
90170-08193	25-33	90201-20278	6-11	90387-25663	6-32	90507-29008	17- 5	91830-22016	2- 3		21-16
90170-12067	4-22		6-25	90430-06016	3-13	90508-10386	7-25		3- 9		22-10
90170-16111	15-11	90201-20613	6- 9	90430-08069	5-27	90508-14352	17-16	92501-06008	3-12		22-14
90170-20195	5-10		7-10	90445-08346	2-11	90508-14373	5-22	92501-06010	2-18		22-17
90170-20213	16- 6	90201-20685	9-15	90445-09117	22- 6	90508-16351	8- 4	92501-06012	12-15		23-13
90171-14020	24-20	90201-22283	24-25	90445-11182	22-31	90508-20023	17-11	92501-06014	15-27		26-16
90175-06013	17-29	90201-25287	6- 3	90460-43053	12-12	90508-32061	9-11		15-32		27-10
90179-08148	21-25		6-18	90460-51109	10-16	90508-32374	8-14	92501-06015	10- 4		29- 3
90179-08243	15-43	90202-06010	22-30	90460-68120	10-15	90508-35350	15-16	92501-06020	13-16	92901-06200	8- 5

NUMERICAL INDEX

Part No.	Ref.No.	Part No.	Ref.No.	Part No.	Ref.No.	Part No.	Ref.No.	Part No.	Ref.No.	Part No.	Ref.No.
92901-06200	17-25	92901-18100	4-18	93410-19015	7-11	95301-05700	15-20	97301-06022	21- 6	98901-06016	14-26
	23- 4	93101-12004	8-13	93410-20009	9-14	95301-06600	12-17		21-13		
92901-06600	8- 7	93102-17004	5-24	93410-20038	6-10	95301-06700	17-31	97301-06025	10-12		
	10- 5	93102-25030	25-36		6-26	95301-08600	1- 7		18- 3		
	12-10	93102-32136	6-31		9-17		26-19		18- 9		
	13-17	93103-30092	4-14	93410-22014	24-24	95301-08700	12-24	97301-06035	23- 3		
	15-33	93103-40091	4-15	93430-07012	7-27	95301-08800	26-21	97301-06055	15-23		
	15-35	93104-14044	15-18	93430-08006	7-23	95302-10900	17- 3	97301-08016	12-26		
	17-18	93105-40020	24-28	93430-10016	9- 7	95311-08600	19-25		14-17		
	22-11	93108-35004	15- 7	93430-15023	17-21	95311-08700	5-15	97301-08020	12- 4		
	26-17	93109-20014	9- 9	93440-25019	6- 4	95601-05100	15-41		14-35		
	27-11	93109-22018	15- 8		6-19	95601-06100	15-34	97301-08025	14- 3		
92901-08100	5-14	93210-14104	3-11	93440-32017	7- 4		21-10	97301-08035	12-21		
	12- 5	93210-29282	4-16	93440-50058	16-16		21-17	97310-06016	9-27		
	12-22	93304-20501	6-30	93450-19052	4-12		23- 5	97311-08030	9- 8		
	12-27	93306-20203	24-12	93507-32009	9- 4	95601-08100	17-13	97321-06014	2-16		
	14- 4	93306-20205	24-23	93515-32029	5-18	95701-08100	20-11	97321-06020	8- 9		
	14-18	93306-20309	25-14	93604-08071	7- 3	95801-08016	14-10	97321-06030	27- 9		
	14-36	93306-20310	25-15	93604-18100	7- 5	95811-08090	14-11	97321-06035	22-16		
	19-26	93306-20535	6-13	93604-26132	16- 5	95811-08100	14-12	97602-03108	11-24		
	26-20	93306-30615	4-13	93606-14140	7-20	95811-08180	14-13	98501-03008	10-22		
92901-08200	12-23	93306-90401	7- 9	93608-30128	8-17	95821-08035	20-12	98501-04005	16-21		
	14-14	93310-418E9	4-10	94130-21517	24- 8	95821-08040	20- 7	98501-04006	13-14		
	14-37	93310-42541	4- 6	94145-18272	25- 8	95821-08055	20-10	98501-04018	13-10		
92901-08600	12- 6	93311-62035	6-12	94230-21126	24- 9	97301-06012	15-22	98501-05010	15-38		
	12-28		6-27	94245-18125	25- 9		22- 9	98501-05016	11-18		
	14- 5	93315-21721	5-25	94330-21088	24-10		22-13	98501-05018	13- 7		
	14-19	93315-23208	7- 8	94345-18081	25-10	97301-06014	15-26		19-37		
	15-51	93317-22214	15- 3	94416-21104	24- 7		18- 8	98501-05025	13- 6		
	26-22	93332-00001	20- 2	94421-18105	25- 7	97301-06016	12- 8	98501-05035	15-19		
92901-12100	4-23	93332-00008	20- 1	94585-20102	25-34	97301-06018	23-12	98503-05015	21-20		
92901-12600	15-46	93342-22205	15- 2	94685-20001	25-35	97301-06020	10-18		26-11		
92901-16100	15-12	93410-15005	9-22	95301-05600	19-39		15-28	98701-05012	7- 7		
	25-39	93410-17008	6-38		28-13		17-30	98901-06012	14-27		

