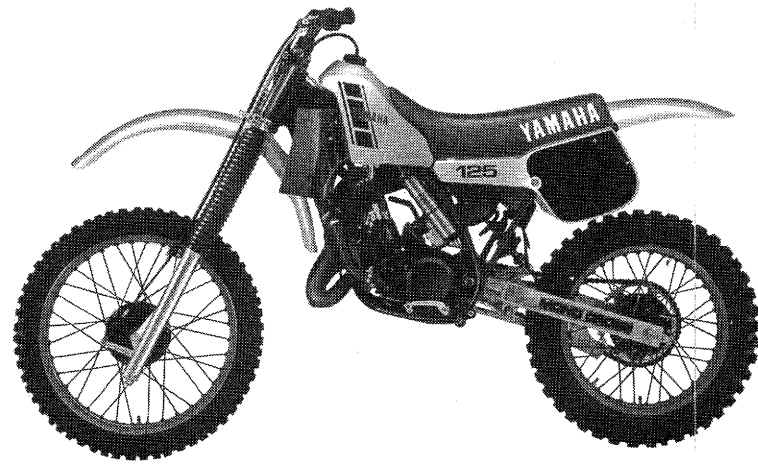


YAMAHA

PARTS CATALOGUE

YZ125K (24X)

1324X-300E1



FOREWORD

This Parts Catalogue is related to the parts in use for the Yamaha YZ 125K (24X). When you are ordering replacement parts for the YZ 125K (24X), refer to this Parts Catalogue and quote both part numbers and part names correctly.

1. Modifications or additions which have been made after issue of the Parts Catalogue will be announced in the Yamaha Parts News.

It is advisable that according to the Yamaha Parts News you make necessary corrections to the Parts Catalogue on hand to keep it up-to-date.

2. Abbreviations

The following abbreviations are used in this Parts Catalogue.

- U.R. Use size (thickness) and/or number as required.
- U.N. Use as many as you need.
- A.P. Alternate Parts
- L.M. Local Made
- F# Frame No. (Applicable machine No.)

3. The parts marked with (*) in the parts number column of this Catalogue are not supplied with by Yamaha, those have to be found locally.

4. Parts, which are to be supplied in the form of assemblies, are listed with an indentation of one letter's space, and a dot (.) is put against the name of each part.

EXAMPLE CARBURETOR ASS'Y
 . JET, pilot
 . NOZZLE, main

5. Indication of No. of constituent parts for assembly

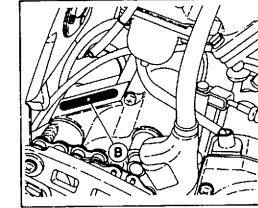
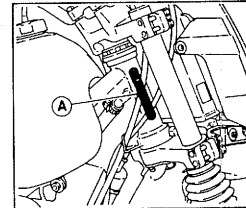
The numeral appearing to the right of each constituent part under the description indicates the quantity of such parts for each individual assembly unit.

EXAMPLE

Part No.	Description	Q'ty	Remarks
2F5-83310-60	FRONT FLASHER LIGHT ASS'Y	2	
115-83311-60	. BULB (6V-18W)	1	
1M1-83309-60	. REFLECTOR	1	

6. Initial Serial No. and Color Code

(A)	Frame Serial No.	24X-100101 and following
(B)	Engine Serial No.	24X-100101 and following



Color Code	Color Name	Abbreviate
	Clean White	

7. Applicable colors of graphics are represented in the "Remarks" column by the letter(s) appropriately picked out of the full word(s) showing such colors.

EXAMPLE

Part No.	Description	Q'ty	Remarks
2N4-24110-00-X5	FUEL TANK COMP.	1	MAXIM RED
3J1-24240-10	. GRAPHIC, fuel tank set	1	for MXR

8. This Parts Catalogue contains modified specs as opposed to the preceding one. The modified items are asterisked (*) before their respective Ref. Nos. For the convenience of reference, Table of Comparison between old and new is provided at the end of the text.

CONTENTS

ENGINE

Fig. 1	Cylinder Head · Cylinder	1
Fig. 2	Governor	3
Fig. 3	Crankshaft · Piston	4
Fig. 4	C.D.I. Magneto	5
Fig. 5	Water Pump	6
Fig. 6	Radiator Hose	7
Fig. 7	Intake	8
Fig. 8	Carburetor	10
Fig. 9	Exhaust	12
Fig. 10	Crankcase	13
Fig. 11	Crankcase Cover	14
Fig. 12	Kick Starter	15
Fig. 13	Clutch	16
Fig. 14	Transmission	17
Fig. 15	Shift Cam · Fork	19
Fig. 16	Shift Shaft · Pedal	20

CHASSIS

Fig. 17	Frame · Tool	21
Fig. 18	Front Fender · Rear Fender	22
Fig. 19	Side Cover	23
Fig. 20	Rear Arm	24
Fig. 21	Rear Suspension	26
Fig. 22	Steering	28
Fig. 23	Front Fork 1 (For Europe/Others)	29
Fig. 24	Front Fork 2 (For Canada/Oceania)	32
Fig. 25	Fuel Tank	35
Fig. 26	Seat	36
Fig. 27	Front Wheel	37
Fig. 28	Rear Wheel	38
Fig. 29	Handlebar · Cable	40
Fig. 30	Stand · Footrest	41

Fig. 31	Electrical 1	42
Fig. 32	Handle Switch · Lever	43

ALTERNATE PARTS

Fig. 33	Alternate (Chassis)	44
---------	---------------------	----

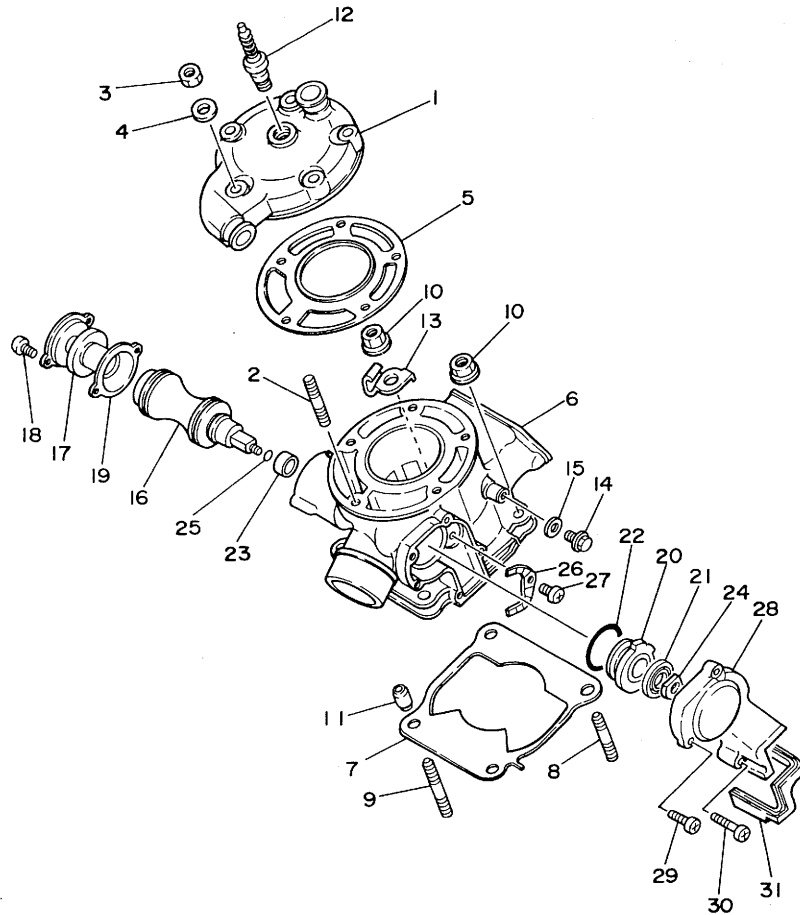
REPAIR KIT

Fig. 34	Repair Kit	45
---------	------------	----

INDEX

Numerical Index
Parts Name Index

FIG. 1 CYLINDER



REF. NO.	PART NO.	DESCRIPTION	Q'TY	REMARKS
1	24X-11111-00	HEAD, cylinder 1	1	
2	90116-08394	BOLT, stud	5	
3	95311-08600	NUT	5	
4	90201-08649	WASHER, Plate	5	
5	24X-11181-00	GASKET, cylinder head 1	1	
6	24X-11311-00	CYLINDER 1	1	
7	24X-11351-00	GASKET, cylinder	1	
8	90116-08318	BOLT, stud	2	
9	90116-08409	BOLT, stud	2	
10	90179-08246	NUT	4	
11	91810-03014	PIN, dowel	2	
12	*	PLUG, sPark (CHAMPION QN-84)	1	UR LM for Canada/S.Africa
	*	PLUG, sPark (CHAMPION N-84)	1	UR LM except Canada/S.Africa
13	24X-1131E-00	HOLDER 1	1	
14	95826-06010	BOLT, flange	1	
15	90430-06166	GASKET	1	
16	5X4-1131A-00	VALVE 1	1	
17	5X4-W1132-00	HOLDER 1	1	
18	98506-05012	SCREW, Pan head	2	
19	5X4-1131N-00	GASKET, holder	1	
20	5X4-W1133-00	HOLDER 2	1	
21	93104-16074	OIL SEAL	1	
22	93210-27244	O-RING	1	
23	90387-102F3	COLLAR	1	
24	5X5-11937-00	BOSS, lever	1	
25	93210-09192	O-RING	1	
26	5X4-11915-00	PLATE, thrust 1	1	
27	98506-05010	SCREW, Pan head	1	

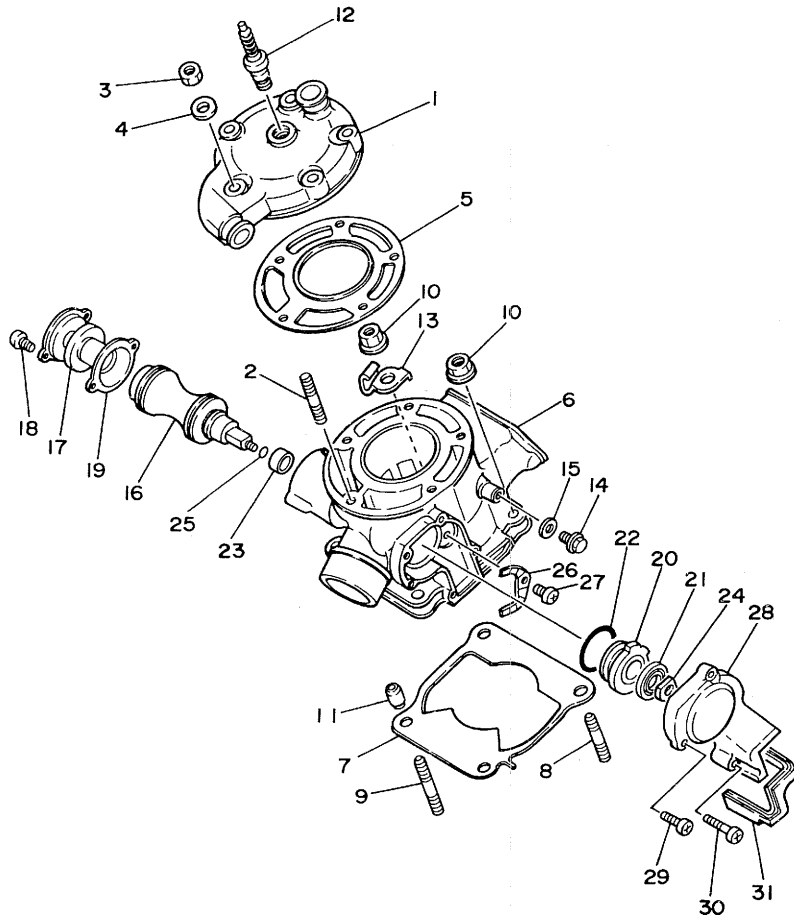


24X100-3010

B2

FIG. 1 CYLINDER

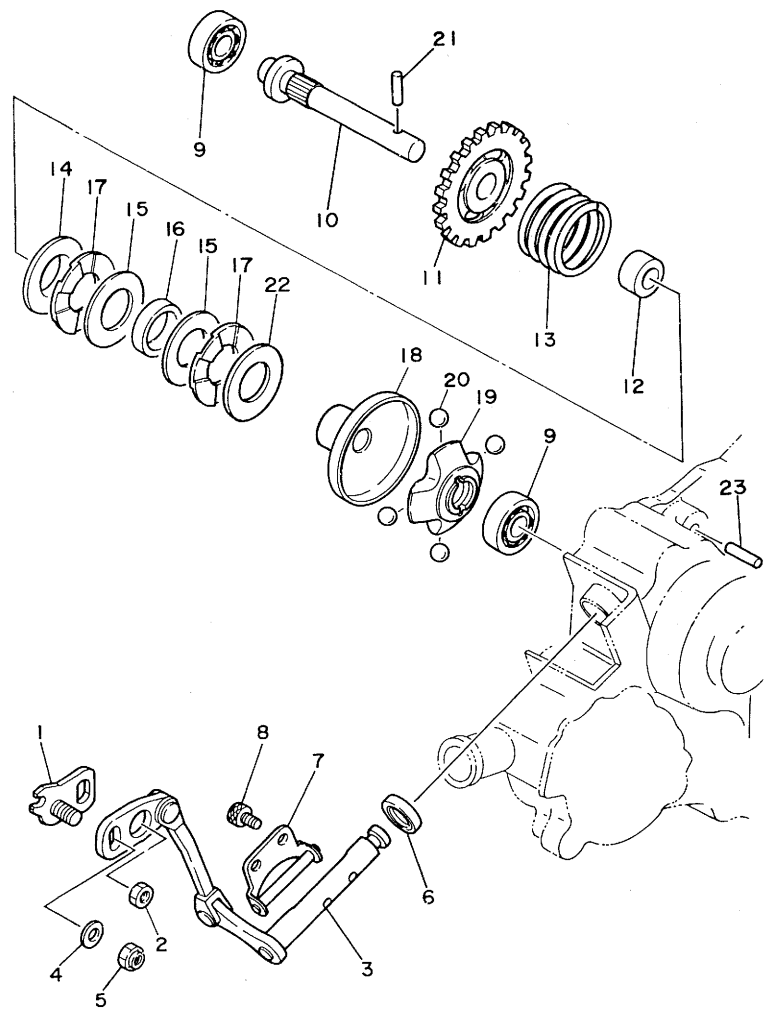
REF. NO.	PART NO.	DESCRIPTION	Q'TY	REMARKS
28	24X-11992-00	HOUSING 2	1	
29	98506-05018	SCREW, Pan head	3	
30	98506-05025	SCREW, Pan head	1	
31	5X4-11995-00	SEAL, housing	1	



24X100-3010

B3

FIG. 2 GOVERNOR

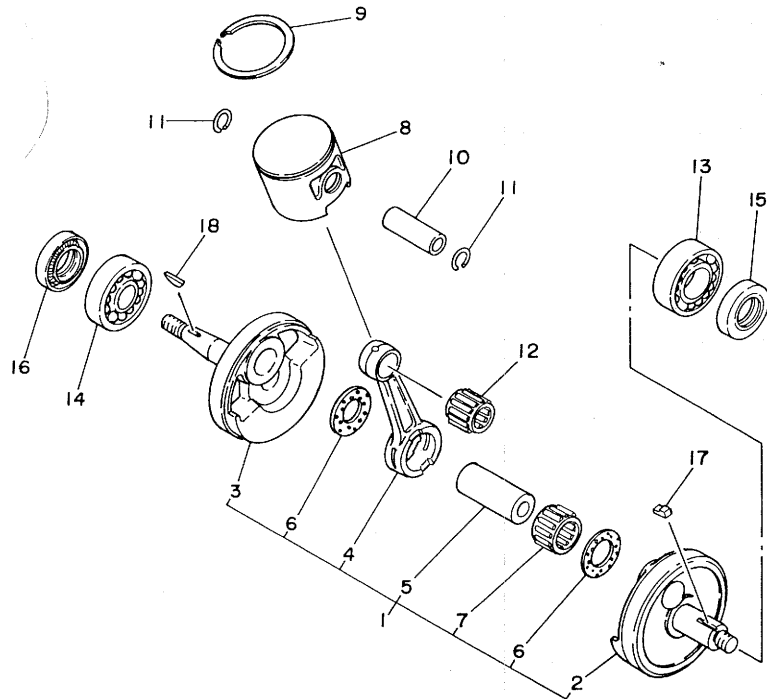


REF. NO.	PART NO.	DESCRIPTION	Q'TY	REMARKS
1	5X4-11931-00	LEVER	1	
2	90179-05376	NUT	1	
3	24X-11990-00	PUSH ROD ASSY	1	
4	92901-05600	WASHER, Plate	1	
5	95601-05100	NUT, u	1	
6	93104-08040	OIL SEAL	1	
7	5X4-11922-00	FORK, Governor	1	
8	91316-04006	BOLT	2	
9	93300-60801	BEARING (B0060)	2	
10	5X4-11921-01	SHAFT, Governor	1	
11	24X-11953-00	GEAR, Governor	1	
12	90560-08213	SPACER	1	
13	90501-30742	SPRING, compression	1	
14	5X4-11952-00	PLATE	1	
15	90201-151A7	WASHER, Plate	2	
16	90387-152F2	COLLAR	1	
17	90380-15104	BUSH, solid	2	
18	5X5-11912-01	RETAINER, weight	1	
19	5X5-11911-01	RETAINER	1	
20	93521-64032	BALL	4	
21	93603-14179	PIN, dowel	1	
22	90201-151A7	WASHER, Plate	1	UR
	90201-154F5	WASHER, Plate	1	UR
	90201-154F6	WASHER, Plate	1	UR
23	93603-13185	PIN, dowel	1	

5X4100-2022

B4

FIG. 3 CRANKSHAFT•PISTON



REF. NO.	PART NO.	DESCRIPTION	Q'TY	REMARKS
1	24X-11400-00	CRANKSHAFT ASSY	1	
2	24X-11412-00	•CRANK 1	1	
3	5X4-11422-00	•CRANK 2	1	
4	5X4-11651-01	•ROD, connecting	1	
5	3M5-11681-00	•PIN, crank 1	1	
6	90209-22071	•WASHER	2	
7	93310-522L3	•BEARING, cylindrical	1	
8	24X-11631-00-95	PISTON (STD)	1	UR
	24X-11631-00-94	PISTON (STD)	1	UR
	24X-11635-00	PISTON (1ST O/S 0.25MM)	1	AP
	24X-11636-00	PISTON (2ND O/S 0.50MM)	1	AP
	24X-11637-00	PISTON (3RD O/S 0.75MM)	1	AP
	24X-11638-00	PISTON (4TH O/S 1.00MM)	1	AP
9	5X4-11611-00	RING, Piston	1	STD
	5X4-11611-10	RING, Piston	1	AP
	5X4-11611-20	RING, Piston	1	AP
	5X4-11611-30	RING, Piston	1	AP
	5X4-11611-40	RING, Piston	1	AP
10	137-11633-00	PIN, Piston	1	
11	4V2-11634-00	CLIP, Piston Pin	2	
12	93310-216L2	BEARING, cylindrical	1	
13	93306-30421	BEARING (B6304C3)	1	
14	93306-20529	BEARING (B6205C4)	1	
15	93103-28126	OIL SEAL	1	
16	93102-25258	OIL SEAL	1	
17	90282-05053	KEY, straight	1	
18	90280-03017	KEY, woodruff	1	

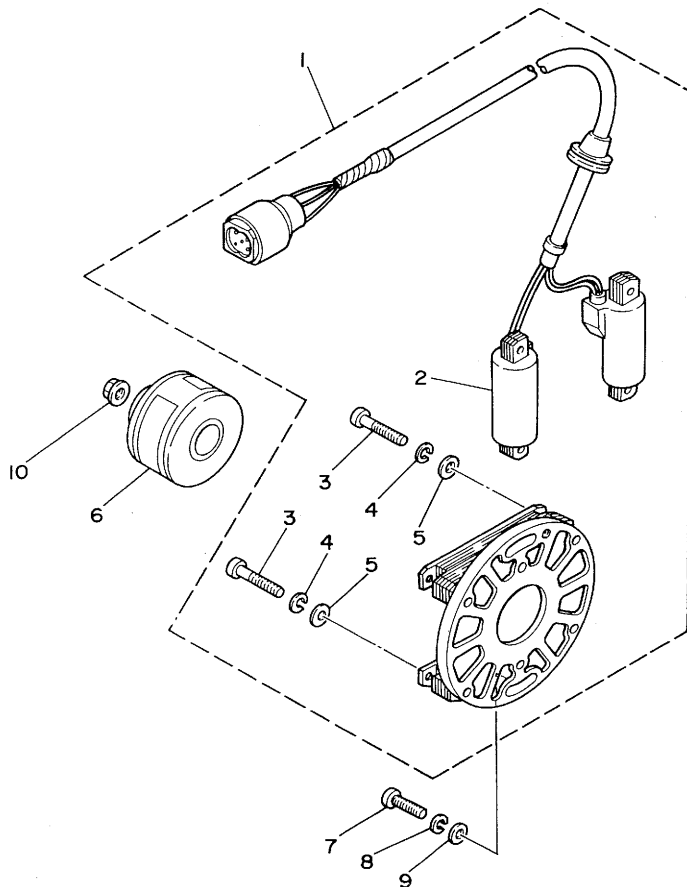


5X4100-2031

B5

FIG. 4 C.D.I MAGNETO

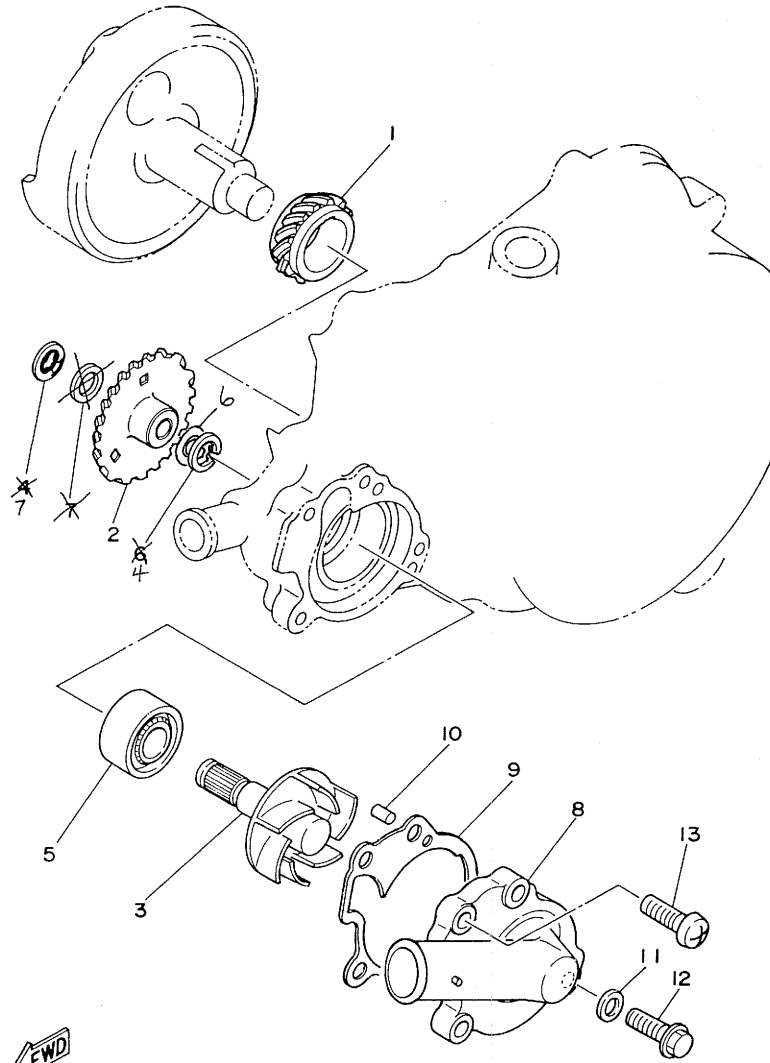
REF. NO.	PART NO.	DESCRIPTION	Q'TY	REMARKS
1	24X-85510-10	STATOR ASSY	1	
2	24X-85520-10	•CDIL, charge	1	
3	98502-05030	•SCREW, Pan head	6	
4	92902-05100	•WASHER, sPring	6	
5	92901-05600	•WASHER, Plate	6	
6	24X-85550-10	ROTOR ASSY	1	
7	92501-06020	SCREW, Pan head	2	
8	92901-06100	WASHER, sPring	2	
9	92901-06600	WASHER, Plate	2	
10	90179-10257	NUT	1	



5X4100-2041

B6

FIG. 5 WATER PUMP



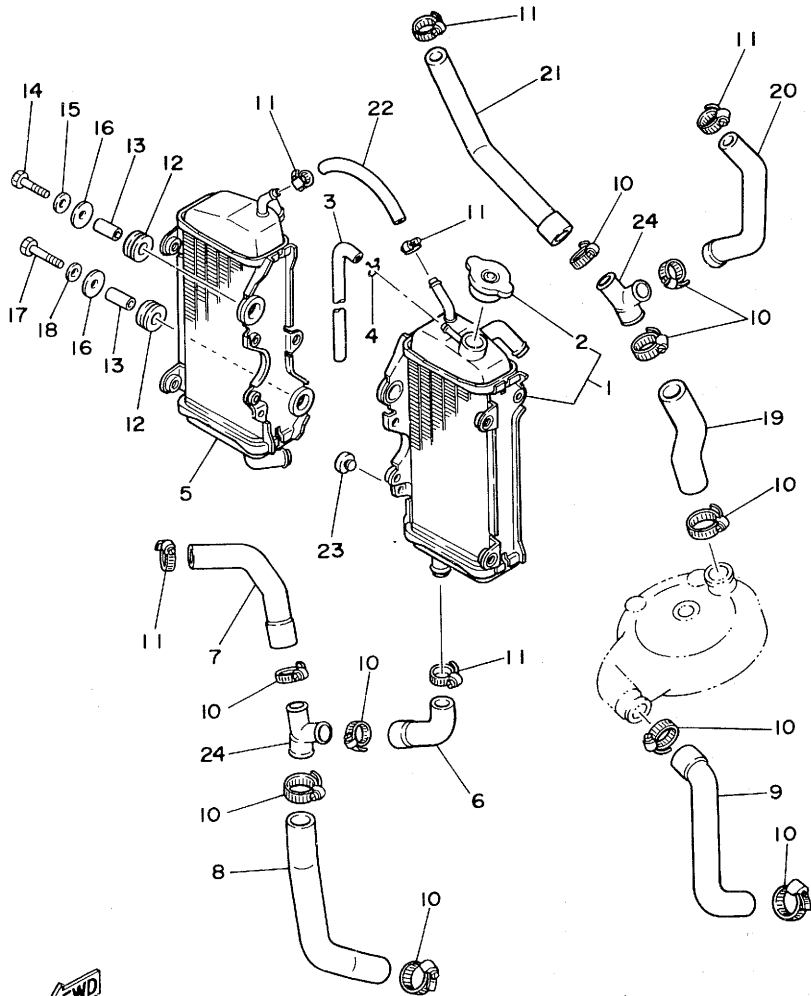
REF. NO.	PART NO.	DESCRIPTION	Q'TY	REMARKS
1	24X-12436-00	GEAR, drive	1	
2	24X-12459-00	GEAR, imPeller shaft	1	
3	24X-12450-00	IMPELLER SHAFT ASSY	1	
4	93430-08006	CIRCLIP	1	
5	93103-12119	OIL SEAL	1	
6	90201-081G0	WASHER, Plate	1	
7	90201-10138	WASHER, Plate	1	
8	24X-12422-00	COVER, housing	1	
9	24X-12428-00	GASKET, housing cover 2	1	
10	93604-10011	PIN, dowel	2	
11	90430-06166	GASKET	1	
12	95826-06020	BOLT, flange	1	
13	92506-06020	SCREW, Pan head	2	

24X100-3050

B7

Sub

FIG. 6 RADIATOR-HOSE

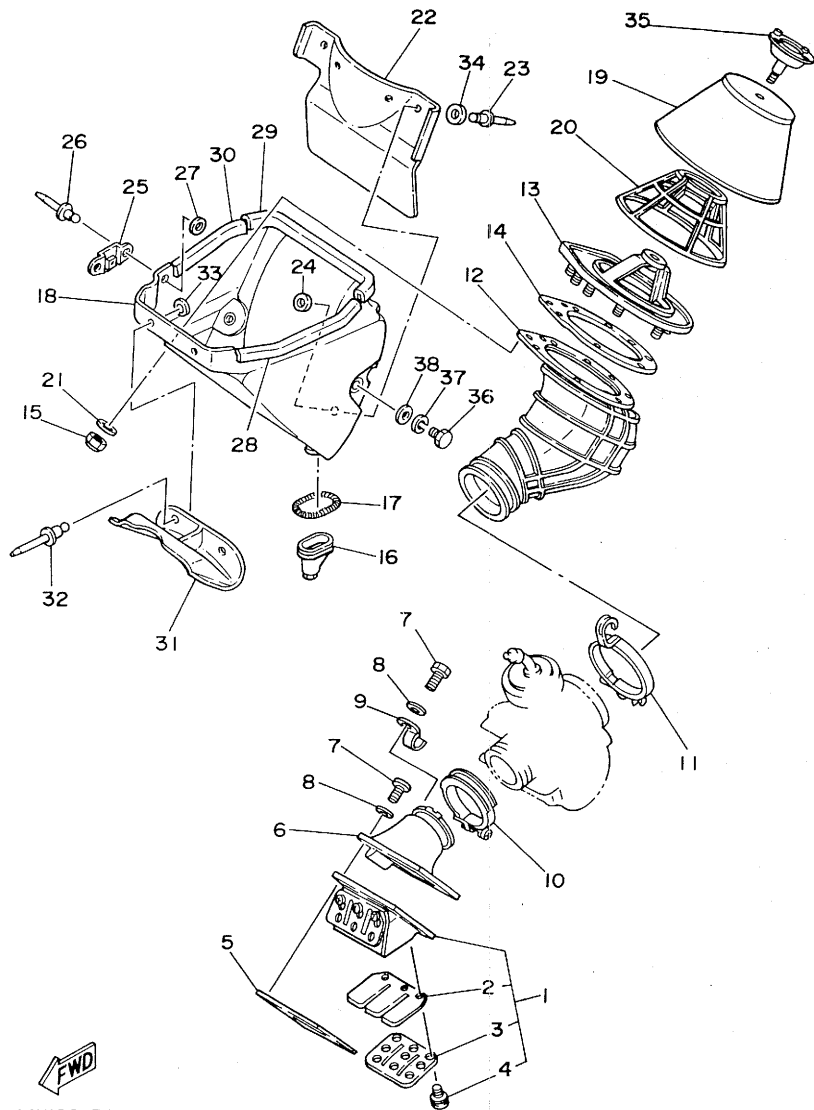


REF. NO.	PART NO.	DESCRIPTION	Q'TY	REMARKS
1	24X-12460-00	RADIATOR ASSY	1	
2	24X-12462-00	•CAP, radiator	1	
3	90446-09079	HOSE	1	
4	90467-09006	CLIP	1	
5	24X-1240A-00	RADIATOR ASSY 2	1	
6	24X-12481-00	PIPE 1	1	
7	24X-12482-00	PIPE 2	1	
8	24X-12483-00	PIPE 3	1	
9	24X-12484-00	PIPE 4	1	
10	90460-27219	CLAMP, hose	10	
11	90460-15227	CLAMP, hose	6	
12	90480-15064	GROMMET	4	
13	90387- ⁰⁷³⁹² 07257	COLLAR } INTERCHANGEABLE ✓	4	
14	97301-06030	BOLT	3	
15	92901-06600	WASHER, Plate	3	
16	90201-06570	WASHER, Plate	4	
17	97301-06035	BOLT	1	
18	92901-06600	WASHER, Plate	1	
19	24X-12485-00	PIPE 5	1	
20	24X-12476-00	PIPE 6	1	
21	24X-12477-00	PIPE 7	1	
22	24X-1248A-00	PIPE 8	1	
23	24X-12465-00	DAMPER, radiator	4	
24	24X-12469-00	JOINT 1	2	



24X100-3060

B8

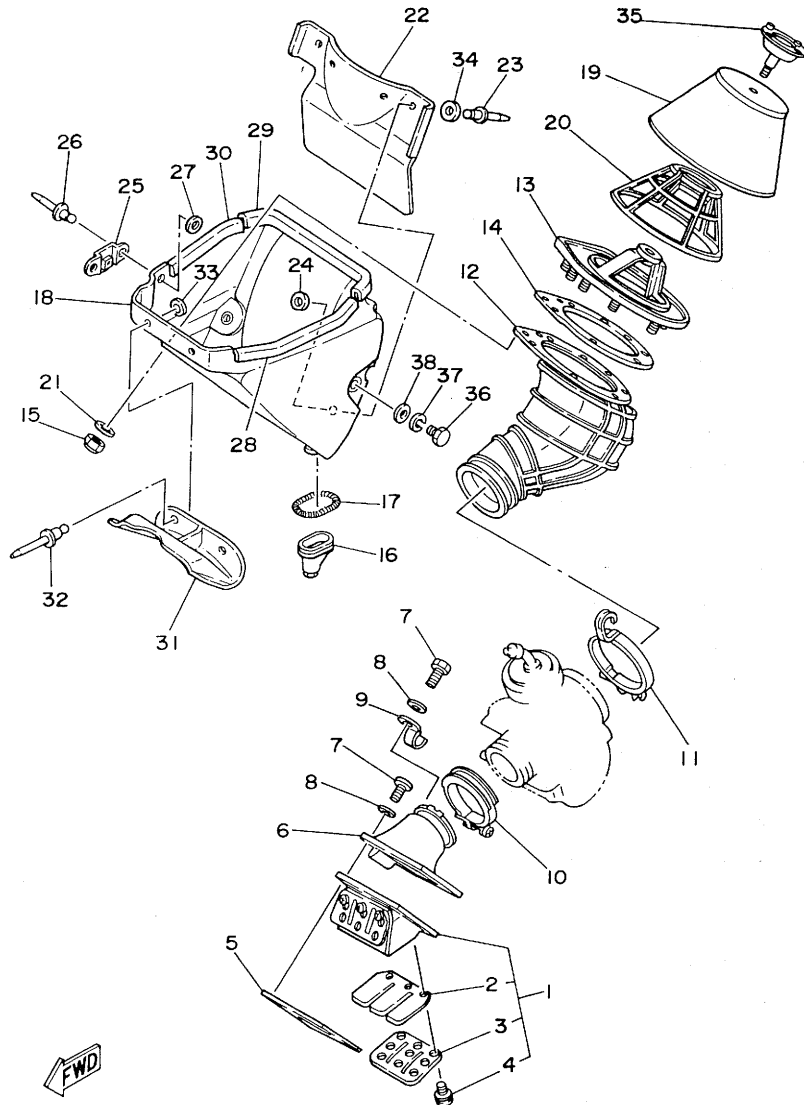


24X100-3070

FIG. 7 INTAKE

REF. NO.	PART NO.	DESCRIPTION	Q'TY	REMARKS
1	3R3-13610-00	REED VALVE ASSY	1	
2	3R3-13613-00	•REED, valve	2	
3	3R3-13616-00	•STOPPER, reed valve	2	
4	97602-03108	•SCREW, Pan head with washer	6	
5	3R3-13621-00	GASKET, valve seat	1	
6	24X-13565-00	JOINT, carburetor	1	
7	97301-06020	BOLT	4	
8	92901-06600	WASHER, Plate	4	
9	90462-05005	CLAMP	1	
10	90460-49058	CLAMP, hose	1	
11	90460-64065	CLAMP, hose	1	
12	24X-14453-00	JOINT, air cleaner 1	1	
13	23X-14459-01	HOLDER, guide	1	
14	23X-14462-00	SEAL	1	
15	95601-05100	NUT, u	8	
16	22W-14457-00	SEAL	1	
17	90504-03033	SPRING, compression	1	
18	24X-14411-00	CASE, air cleaner 1	1	
19	23X-14451-10	ELEMENT, air cleaner	1	UR for Europe
	23X-W1442-00	ELEMENT, air cleaner	1	UR except Europe
20	23X-14458-00	GUIDE	1	
21	92901-05200	WASHER, Plain	8	
22	24X-21642-00	GUARD, flap	1	
23	90267-40093	RIVET, blind	4	
24	92901-04200	WASHER, Plain	4	
25	24X-14493-00	STAY 1	1	
26	90267-40093	RIVET, blind	2	
27	92901-04200	WASHER, Plain	2	
28	24X-14425-00	DAMPER 1	1	

FIG. 7 INTAKE

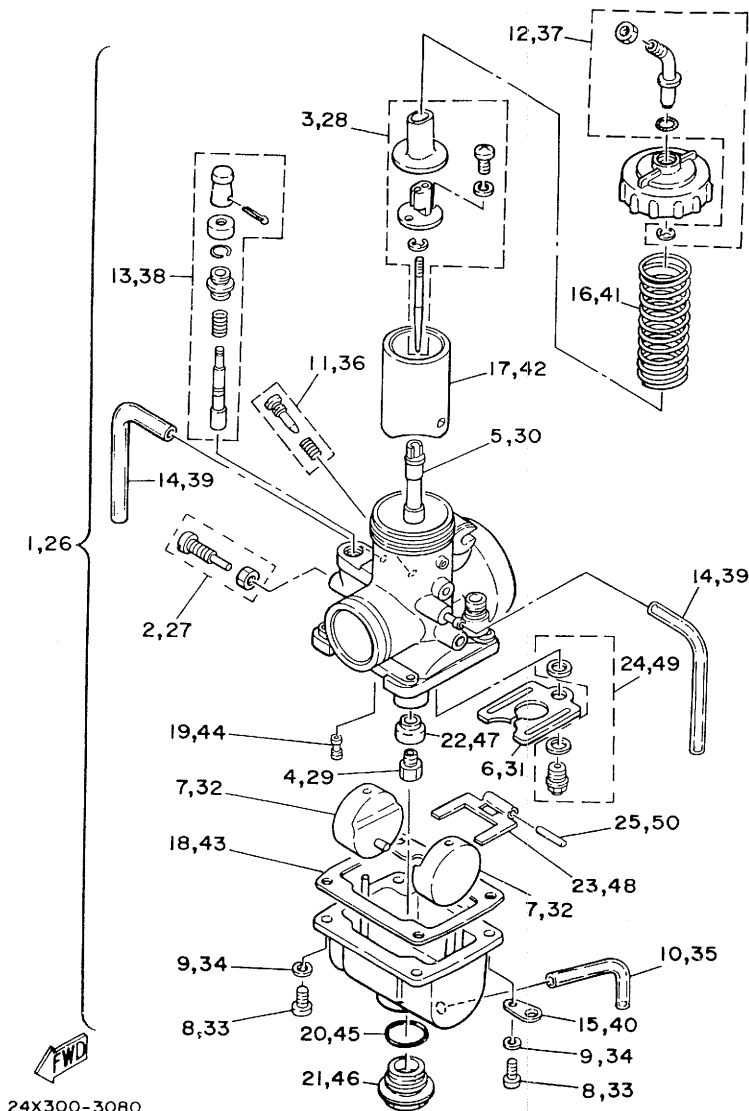


REF. NO.	PART NO.	DESCRIPTION	Q'TY	REMARKS
29	24X-14426-00	DAMPER 2	1	
30	24X-1442G-00	DAMPER 3	1	
31	24X-14412-00	CAP, cleaner case 1	1	
32	90267-40093	RIVET, blind	2	
33	92901-04200	WASHER, Plain	2	
34	90201-047A7	WASHER, Plate	4	
35	4V2-14468-01	PLATE, element fitting	1	
36	97301-06012	BOLT	3	
37	92901-06100	WASHER, Spring	3	
38	92901-06600	WASHER, Plate	3	

FWD
24X100-3070

B10

FIG. 8 CARBURETOR



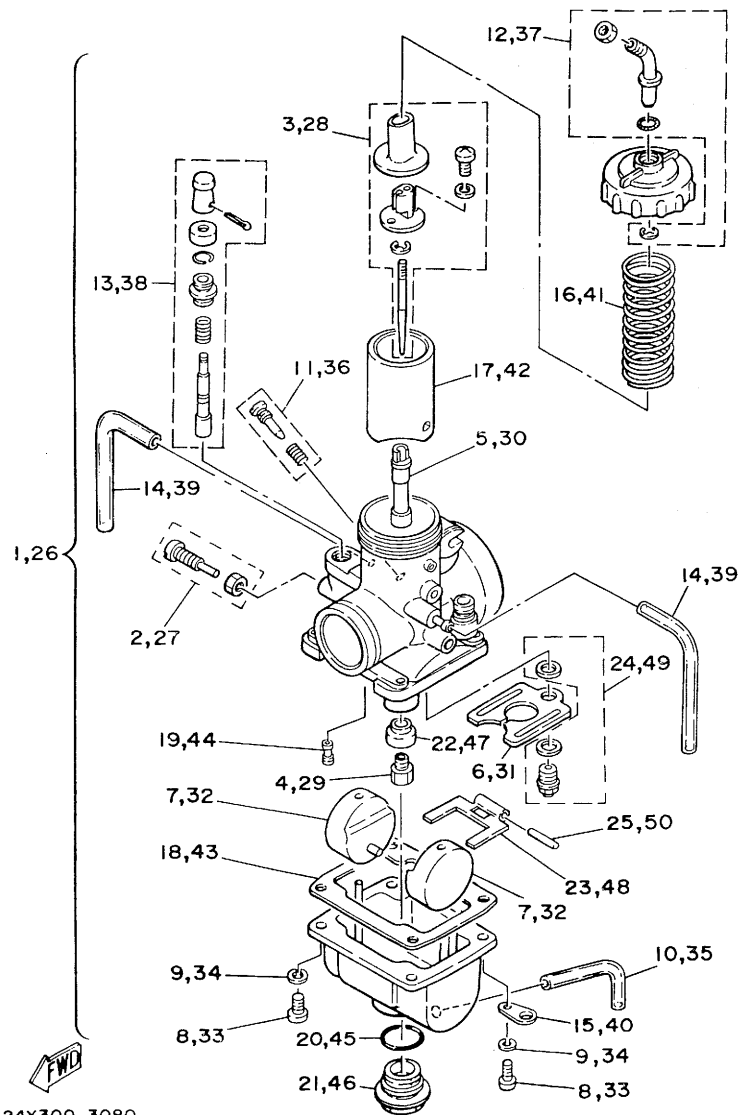
24X300-3080

REF. NO.	PART NO.	DESCRIPTION	Q'TY	REMARKS
1	24X-14101-10	CARBURETOR ASSY 1	1	UR for Europe
2	24X-14103-00	•THROTTLE SCREW SET	1	
3	24X-1490J-00	•NEEDLE SET	1	
4	137-14143-58	•JET, main (#290)	1	STD
	137-14143-56	•JET, main (#280)	1	AP
	137-14143-60	•JET, main (#300)	1	AP
5	239-14141-50	•NOZZLE, main	1	
6	483-14146-00	•PLATE	1	
7	310-14185-00	•FLOAT	2	
8	98501-05016	•SCREW, Pan head	4	
9	92902-05100	•WASHER, sPring	4	
10	493-14196-00	•PIPE	1	
11	23X-14104-00	•AIR SCREW SET	1	
12	24X-14106-00	•CABLE ADJUST SCREW SET	1	
13	24X-1410A-00	•STARTER SET	1	
14	310-14197-00	•PIPE	2	
15	313-14146-00	•PLATE	2	
16	431-14131-00	•SPRING, throttle valve	1	
17	5X8-14112-25	•VALVE, throttle 1	1	
18	483-14184-00	•GASKET, float chamber	1	
19	193-14142-65	•JET, Pilot (#65.0)	1	
20	2K6-14147-00	•O-RING	1	
21	2K6-14115-00	•PLUG, screw	1	
22	3R3-14153-00	•WASHER, main Jet	1	
23	310-14187-00	•ARM, float	1	
24	24X-14107-33	•NEEDLE VALVE SET	1	
25	537-14186-00	•PIN, float	1	
26	24X-14101-00	CARBURETOR ASSY 1	1	UR except Europe



B11

FIG. 8 CARBURETOR

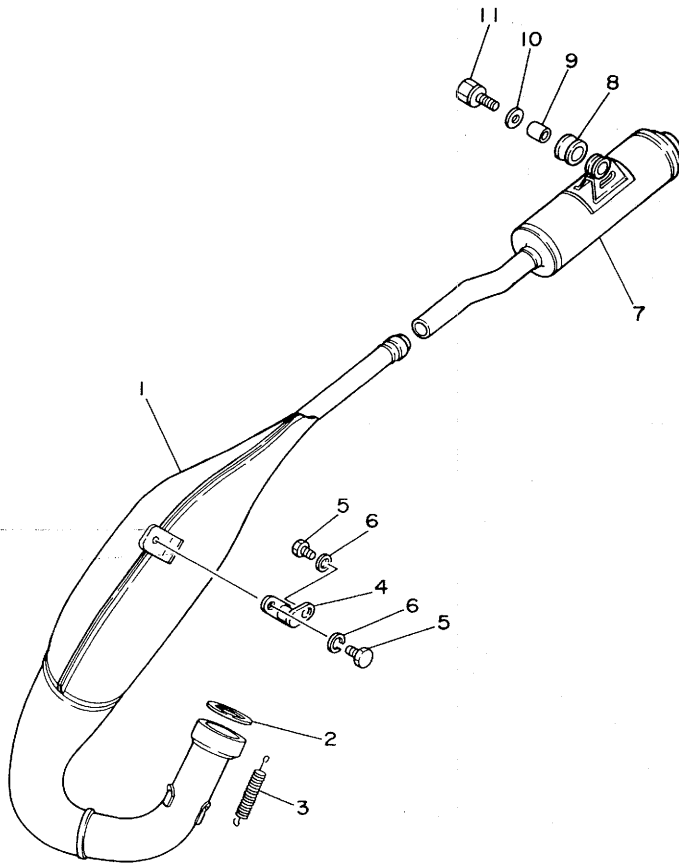


24X300-3080

REF. NO.	PART NO.	DESCRIPTION	Q'TY	REMARKS
27	24X-14103-00	•THROTTLE SCREW SET	1	
28	24X-1490J-00	•NEEDLE SET	1	
29	137-14143-56	•JET, main (#280)	1	STD
	137-14143-54	•JET, main (#270)	1	AP
	137-14143-58	•JET, main (#290)	1	AP
30	239-14141-52	•NOZZLE, main	1	
31	483-14146-00	•PLATE	1	
32	310-14185-00	•FLOAT	2	
33	98501-05016	•SCREW, Pan head	4	
34	92902-05100	•WASHER, sPring	4	
35	493-14196-00	•PIPE	1	
36	23X-14104-00	•AIR SCREW SET	1	
37	24X-14106-00	•CABLE ADJUST SCREW SET	1	
38	24X-1410A-00	•STARTER SET	1	
39	310-14197-00	•PIPE	2	
40	313-14146-00	•PLATE	2	
41	431-14131-00	•SPRING, throttle valve	1	
42	5X8-14112-25	•VALVE, throttle 1	1	
43	483-14184-00	•GASKET, float chamber	1	
44	193-14142-60	•JET, Pilot (#60.0)	1	
45	2K6-14147-00	•O-RING	1	
46	2K6-14115-00	•PLUG, screw	1	
47	3R3-14153-00	•WASHER, main Jet	1	
48	310-14187-00	•ARM, float	1	
49	24X-14107-33	•NEEDLE VALVE SET	1	
50	537-14186-00	•PIN, float	1	

B12

FIG. 9 EXHAUST



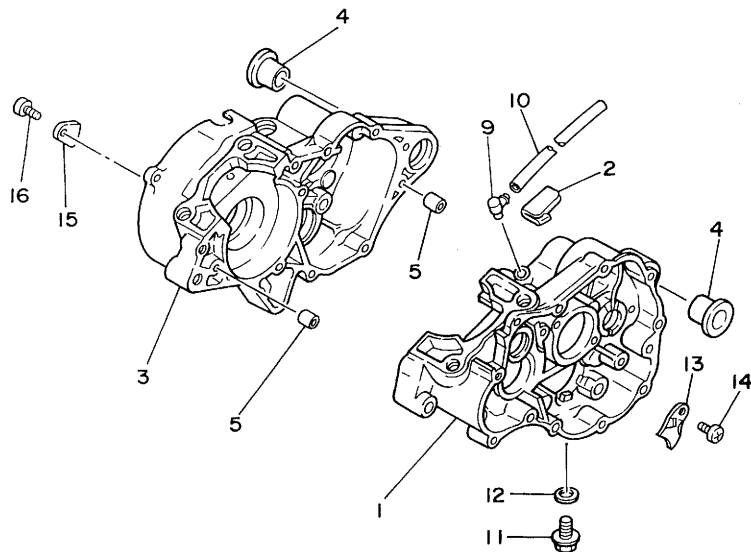
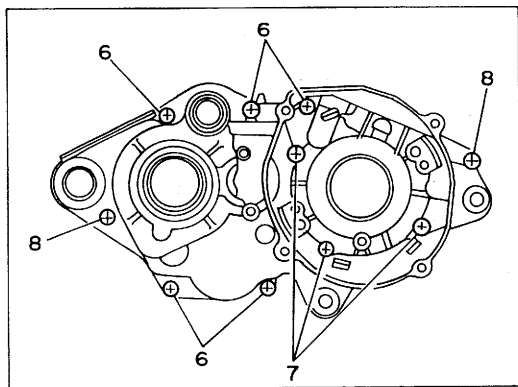
REF. NO.	PART NO.	DESCRIPTION	Q'TY	REMARKS
1	24X-14610-00	EXHAUST PIPE ASSY 1	1	
2	3R3-14613-00	GASKET, exhaust Pipe	1	
3	90507-20030	SPRING, tension	2	
4	24X-14771-00	STAY, muffler 1	1	
5	97301-06016	BOLT	2	
6	92901-06100	WASHER, sPring	2	
7	24X-14753-00	SILENCER, exhaust	1	
8	90480-22269	GROMMET	1	
9	90387-081A3	COLLAR	1	
10	90201-08114	WASHER, Plate	1	
11	90109-08512	BOLT	1	



24X100-3090

B13

FIG. 10 CRANKCASE



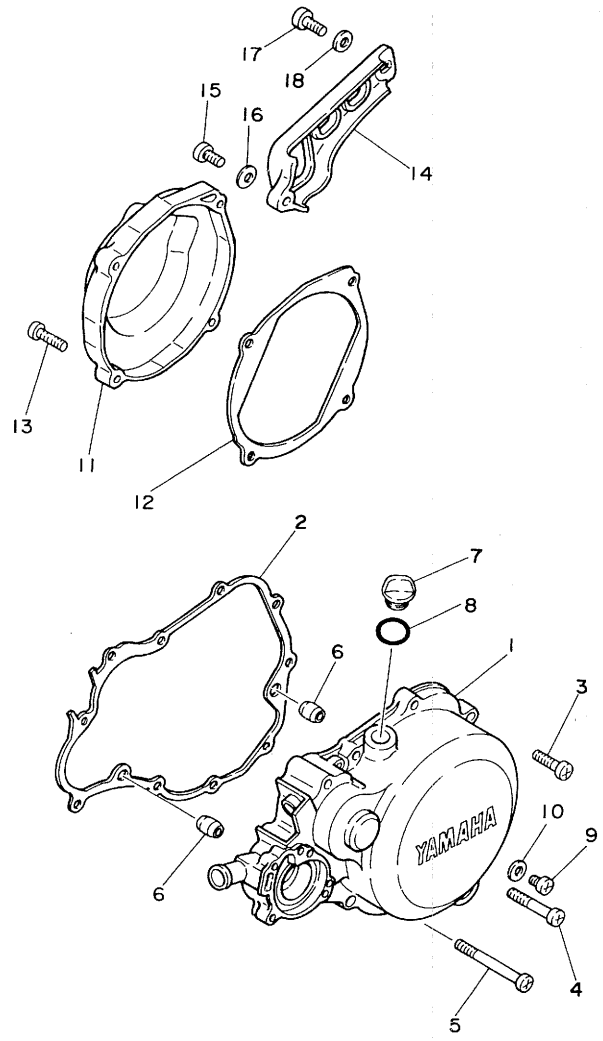
REF. NO.	PART NO.	DESCRIPTION	Q'TY	REMARKS
1	24X-15111-00	CRANKCASE 1	1	
2	5X4-15379-01	SEAL, crankcase	1	
3	24X-15121-00	CRANKCASE 2	1	
4	90387-16781	COLLAR	2	
5	91830-21014	PIN, dowel	2	
6	91316-06035	BOLT	5	
7	91316-06040	BOLT	3	
8	91316-06050	BOLT	2	
9	353-13115-01	CONNECTOR, suction Pipe	1	
10	90445-08376	HOSE	1	
11	90340-12059	PLUG, straight screw	1	
12	90430-12038	GASKET	1	
13	3R3-15128-01	HOLDER	1	
14	92501-08010	SCREW, Pan head	1	
15	4V4-15118-00	HOLDER	1	
16	92501-06010	SCREW, Pan head	1	



24X100-3100

B14

FIG. 11 CRANKCASE COVER



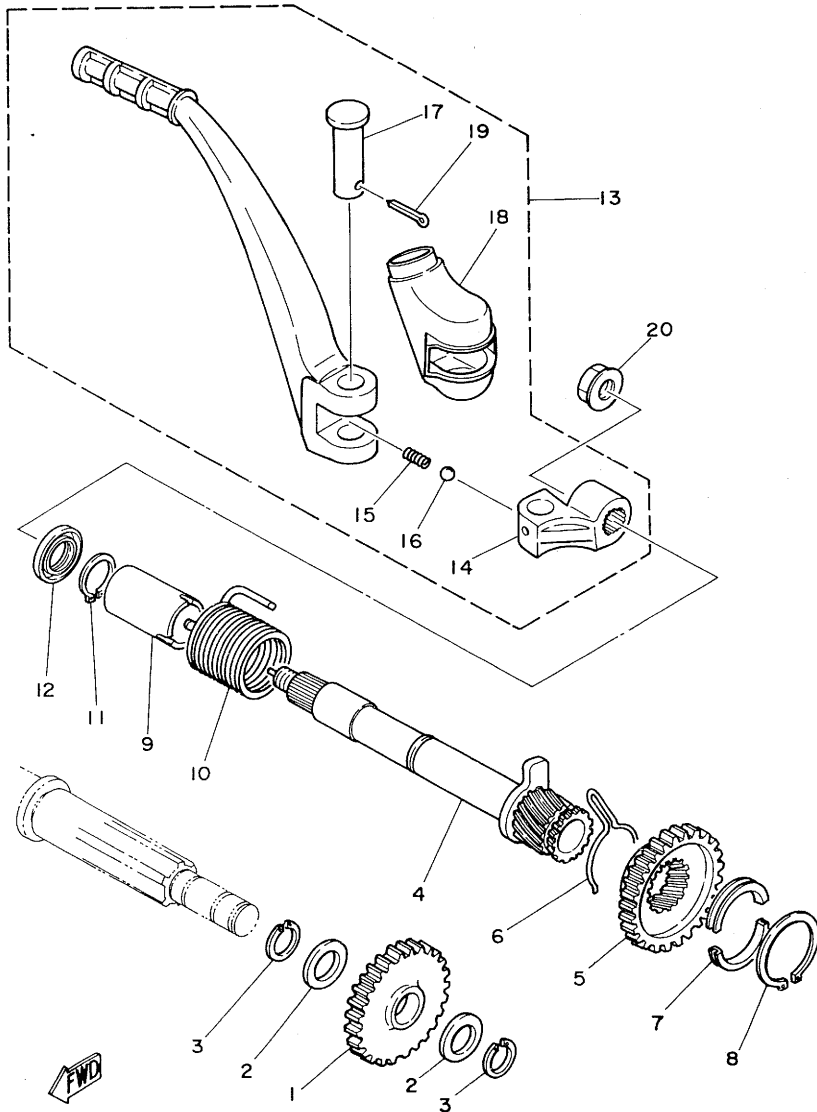
REF. NO.	PART NO.	DESCRIPTION	Q'TY	REMARKS
1	24X-15411-00	COVER, crankcase 1	1	
2	5X4-15451-00	GASKET, crankcase cover	1	
3	92506-06025	SCREW, Pan head	8	
4	92506-06045	SCREW, Pan head	1	
5	92506-06055	SCREW, Pan head	1	
6	91830-21014	PIN, dowel	2	
7	1G8-15362-00	PLUG, oil level	1	
8	93210-14104	O-RING	1	
9	92506-06008	SCREW, Pan head	1	
10	90430-06016	GASKET	1	
11	5X4-15421-00	COVER, crankcase 2	1	
12	5X4-15455-00	GASKET 1	1	
13	92506-06025	SCREW, Pan head	4	
14	3R3-15431-00	COVER, crankcase 3	1	
15	92501-06015	SCREW, Pan head	1	
16	90201-06067	WASHER, Plate	1	
17	92501-06020	SCREW, Pan head	1	
18	92901-06200	WASHER, Plain	1	



5X4100-2110

B15

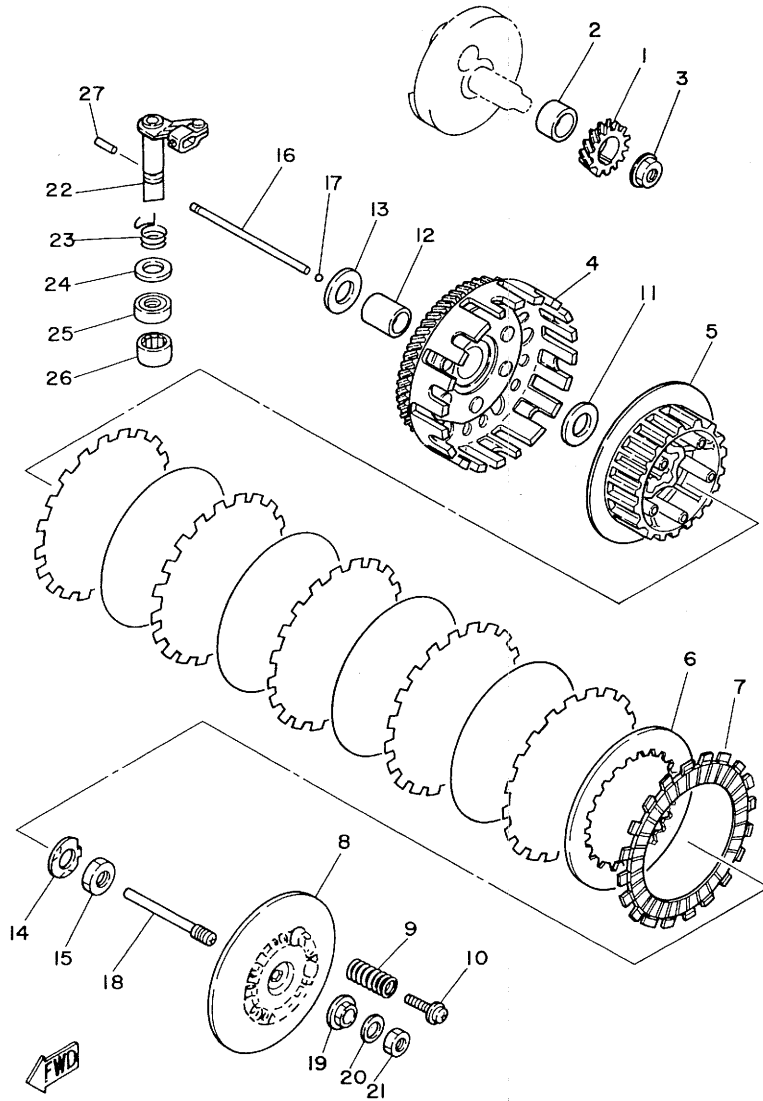
FIG. 12 KICK STARTER



REF. NO.	PART NO.	DESCRIPTION	Q'TY	REMARKS
1	3R3-15651-01	GEAR, sProcket idle (25T)	1	
2	137-17417-00-05	SHIM (0.5T)	1	
3	93440-15012	CIRCLIP	2	
4	5X4-15660-00	KICK AXLE ASSY	1	
5	3R3-15641-00	GEAR, kick (25T)	1	
6	90468-26048	CLIP	1	
7	248-15654-00	HOLDER, kick gear	2	
8	93410-30012	CIRCLIP	1	
9	3R3-15666-00	SPACER	1	
10	90508-26427	SPRING, torsion	1	
11	93410-17037	CIRCLIP	1	
12	93101-17062	OIL SEAL	1	
13	5X4-15620-00	KICK CRANK ASSY	1	
14	3R3-15621-01	•BOSS, kick crank	1	
15	90501-12081	•SPRING, compression	1	
16	93507-32009	•BALL	1	
17	90240-12090	•PIN, clevis	1	
18	5X4-15618-00	•COVER, kick lever	1	
19	91401-40020	•PIN, cotter	1	
20	90179-10272	NUT	1	

5X4100-2120

FIG. 13 CLUTCH

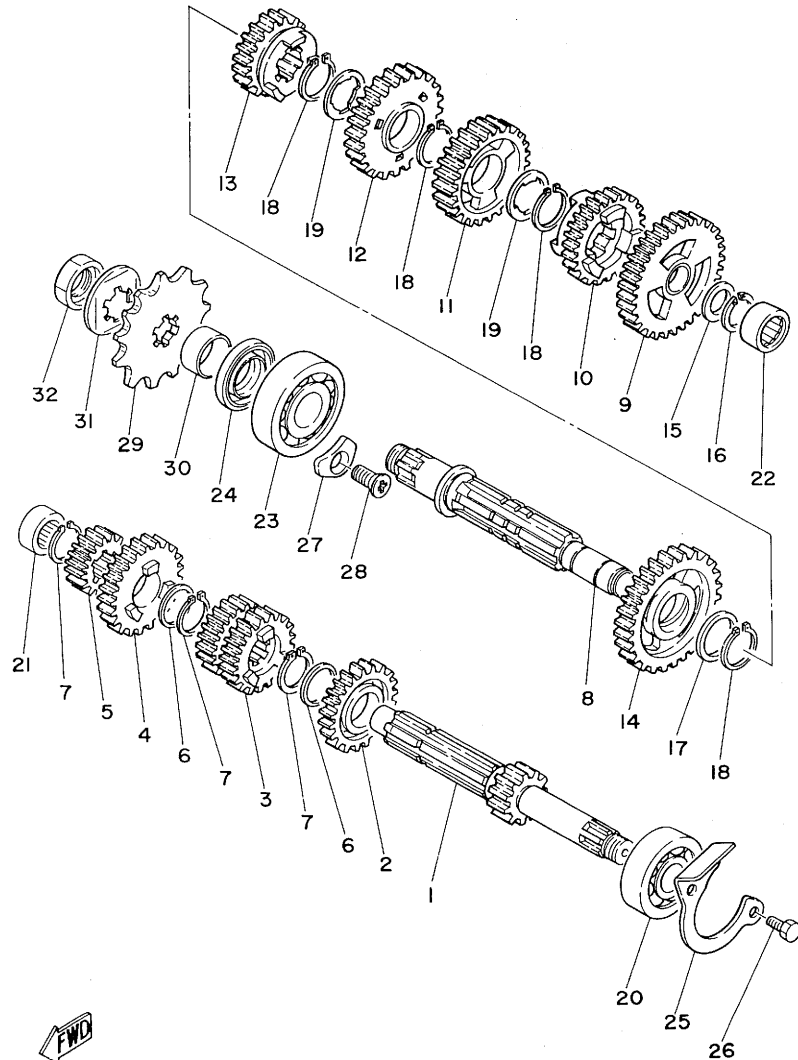


REF. NO.	PART NO.	DESCRIPTION	Q'TY	REMARKS
1	24X-16111-00	GEAR, Primary drive	1	
2	90387-202F0	COLLAR	1	
3	90179-12373	NUT	1	
4	24X-16150-00	PRIMARY DRIVEN GEAR COMP.	1	
5	24X-16371-00	BOSS, clutch	1	
6	24X-16324-00	PLATE, clutch 1	5	
7	24X-16321-00	PLATE, friction	6	
8	24X-16351-00	PLATE, Pressure 1	1	
9	90501-20361	SPRING, compression	5	
10	90159-05011	SCREW, with washer	5	
11	90201-171G6	WASHER, Plate	1	
12	90560-17232	SPACER	1	
13	90201-171G6	WASHER, Plate	1	
14	90215-14204	WASHER, lock	1	
15	90170-14171	NUT	1	
16	353-16357-00	ROD, Push 2	1	
17	93503-16010	BALL	1	
18	1W1-16356-01	ROD, Push 1	1	
19	1W1-16358-00	PLATE, Push	1	
20	92901-06200	WASHER, Plain	1	
21	95301-06600	NUT	1	
22	3R3-16380-02	PUSH LEVER ASSY	1	
23	90508-14426	SPRING, torsion	1	
24	90201-14217	WASHER, Plate	1	
25	9310 4 -14004	OIL SEAL INTERCHANGEABLE	1	2-14308
26	93315-21429	BEARING, cylindrical	1	
27	93604-16092	PIN, dowel	1	

5X4100-2131

C3

FIG. 14 TRANSMISSION

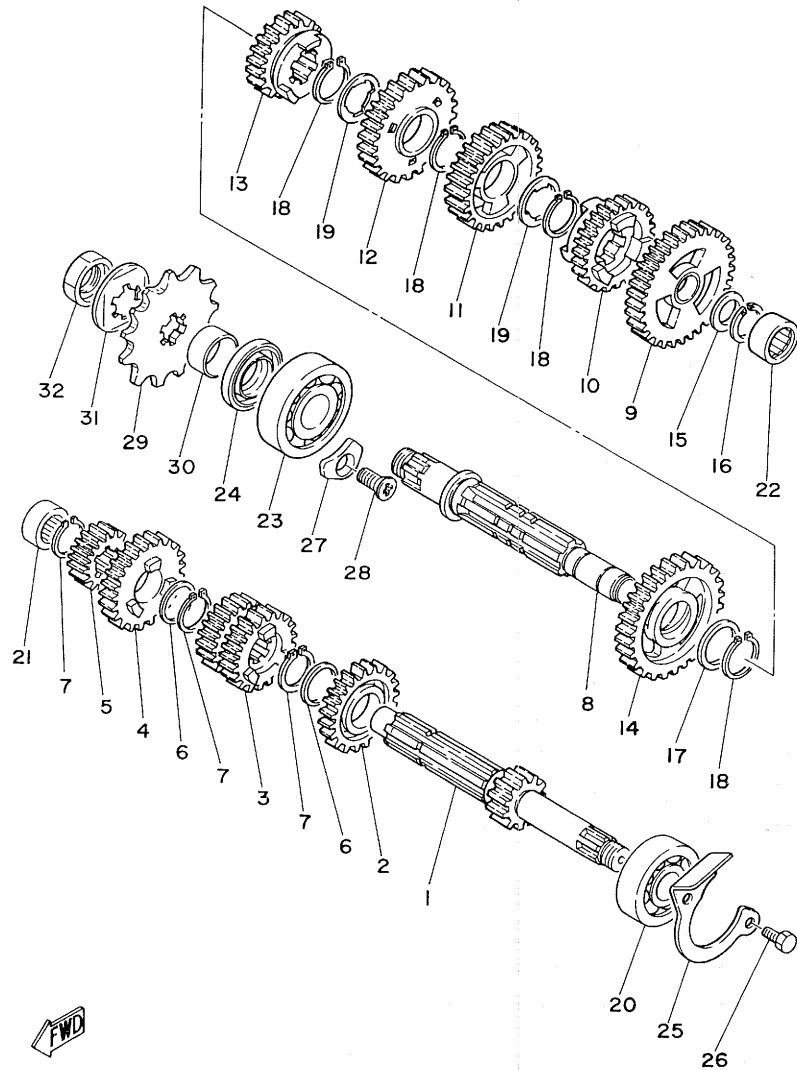


REF. NO.	PART NO.	DESCRIPTION	Q'TY	REMARKS
1	24X-17411-00	AXLE, main	1	
2	5X4-17151-01	GEAR, 5th Pinion (19T)	1	
3	5X4-17131-03	GEAR, 3rd Pinion	1	
4	5X4-17161-01	GEAR, 6th Pinion (20T)	1	
5	5X4-17121-02	GEAR, 2nd Pinion	1	
6	90201-20266	WASHER, Plate	2	
7	93410-20038	CIRCLIP	3	
8	5X4-17421-00	AXLE, drive	1	
9	5X4-17211-01	GEAR, 1st wheel (32T)	1	
10	24X-17251-00	GEAR, 5th wheel	1	
11	24X-17241-00	GEAR, 4th wheel	1	
12	5X4-17231-02	GEAR, 3rd wheel	1	
13	24X-17261-00	GEAR, 6th wheel	1	
14	5X4-17221-02	GEAR, 2nd wheel	1	
15	90201-15701	WASHER, Plate (1.0T)	1	
16	93440-15012	CIRCLIP	1	
17	90201-22555	WASHER, Plate	1	
18	93410-22039	CIRCLIP	4	
19	90209-18135	WASHER	2	
20	93306-30303	BEARING (B6303Z)	1	
21	93311-41530	BEARING, cylindrical	1	
22	93311-31515	BEARING, cylindrical	1	
23	93306-30411	BEARING (B6304)	1	
24	93102 26042	OIL SEAL	1	
25	3R3-17471-00	PLATE, cover	1	
26	97321-06012	BOLT	2	
27	2K7-15383-00	PLATE, bearing cover	1	
28	92701-06012	SCREW, flat head	1	

FWD
5X4100-2140

C4

FIG. 14 TRANSMISSION

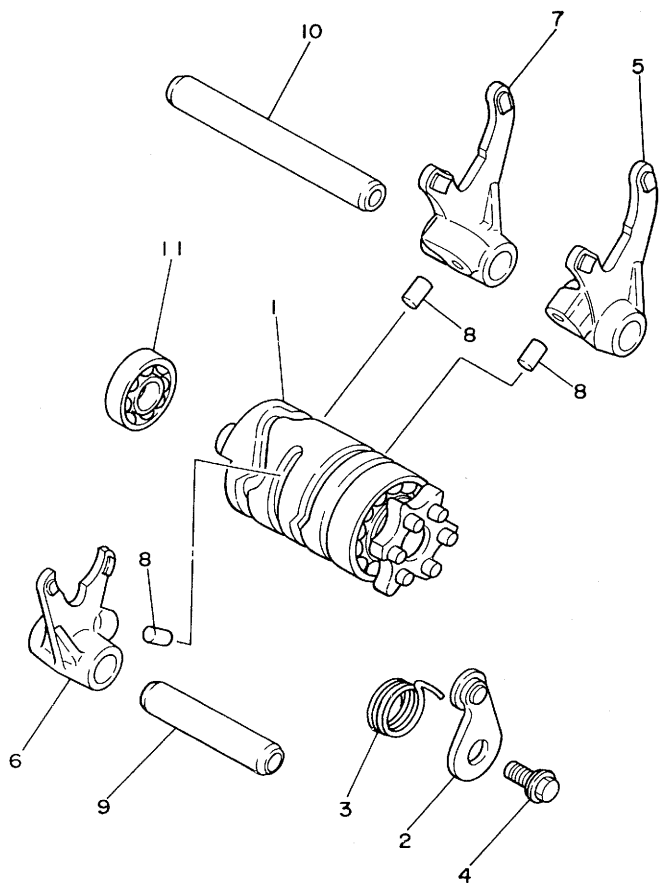


REF. NO.	PART NO.	DESCRIPTION	Q'TY	REMARKS
29	1W1-17461-20	SPROCKET, drive (12T)	1	STD
	1G8-17461-10	SPROCKET, drive (11T)	1	AP
	1G8-17461-30	SPROCKET, drive (13T)	1	AP
30	90387-202A0	COLLAR	1	
31	90215-16127	WASHER, lock	1	
32	90179-16226	NUT	1	

FWD
5X4100-2140

C5

FIG. 15 SHIFT CAM-FORK



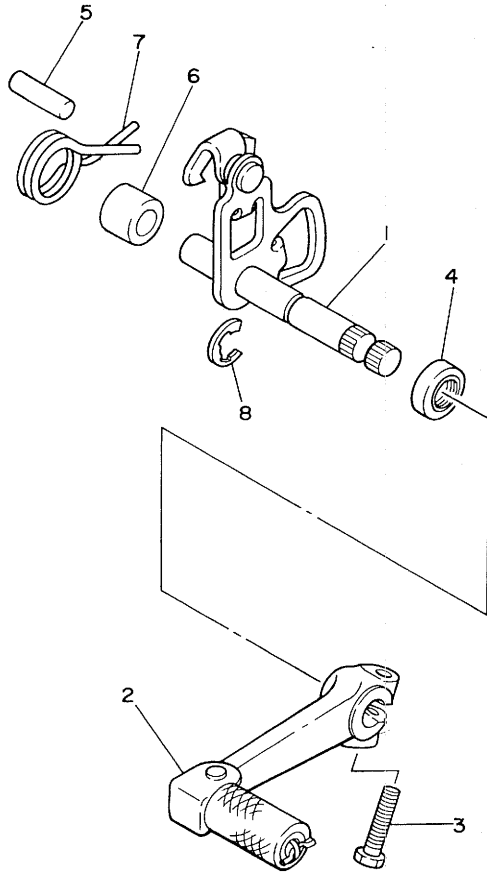
REF. NO.	PART NO.	DESCRIPTION	Q'TY	REMARKS
1	24X-18540-00	SHIFT CAM ASSY	1	
2	3R3-18140-00	STOPPER LEVER ASSY	1	
3	90508-26435	SPRING, torsion	1	
4	1W1-18177-00	BOLT, stopper	1	
5	5X4-18511-00	FORK, shift 1	1	
6	5X4-18512-00	FORK, shift 2	1	
7	5X4-18513-00	FORK, shift 3	1	
8	90250-06013	PIN, straight	3	
9	3R4-18531-00	BAR, shift fork guide 1	1	
10	3R4-18535-00	BAR, shift fork guide 2	1	
11	93306-00106	BEARING	1	



24X100-3150

C6

FIG. 16 SHIFT SHAFT•PEDAL



REF. NO.	PART NO.	DESCRIPTION	Q'TY	REMARKS
1	24X-18101-00	SHIFT SHAFT ASSY	1	
2	24X-18110-00	SHIFT PEDAL ASSY	1	
3	97321-06025	BOLT	1	
4	93109-12012	OIL SEAL	1	
5	93608-25150	PIN, dowel	1	
6	90560-11189	SPACER	1	
7	90508-29361	SPRING, torsion	1	
8	93430-10016	CIRCLIP	1	

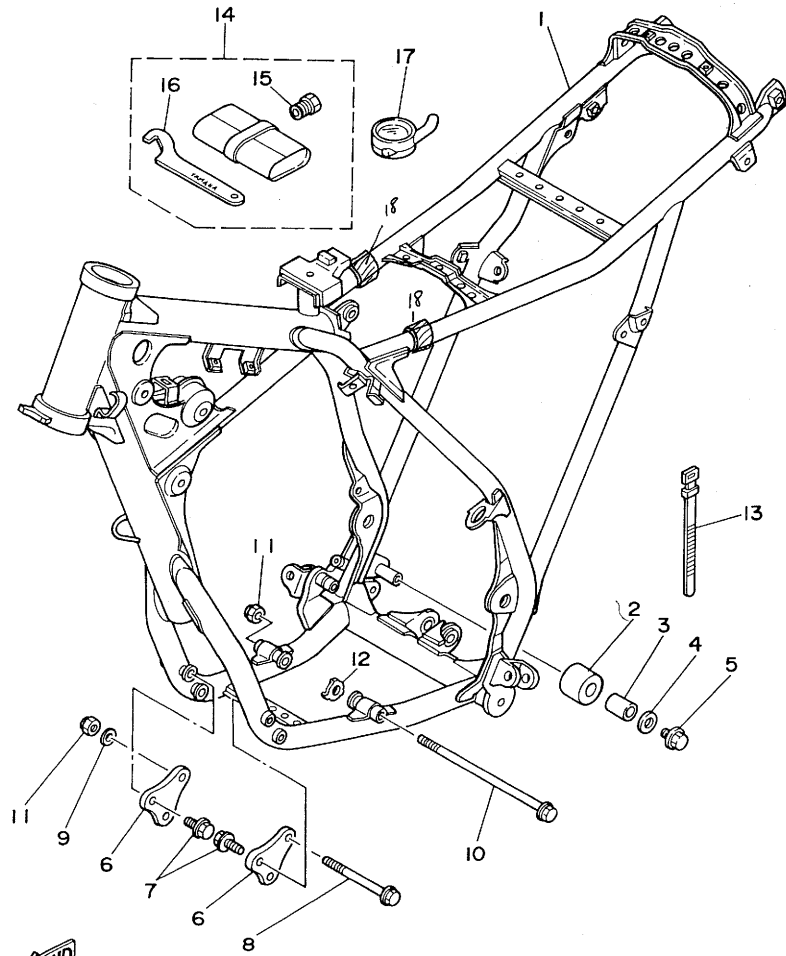


24X100-3160

C7

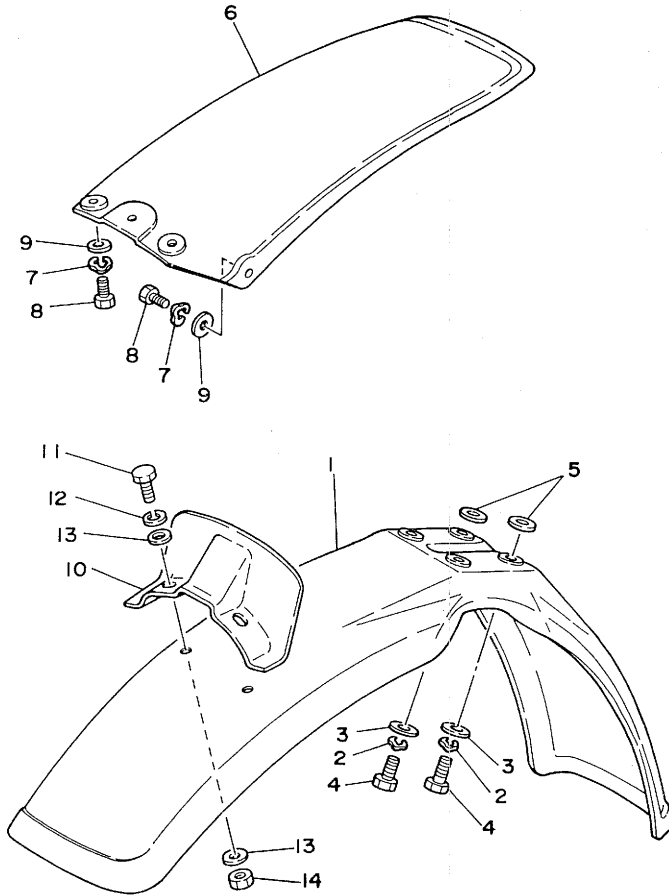
FIG. 17 FRAME. TOOL

REF. NO.	PART NO.	DESCRIPTION	Q'TY	REMARKS
1	24X-21110-00-33	FRAME COMP	1	yamaha black
2	22W-22178-01	TENSIONER	1	
3	4V4-22184-00	BUSH	1	
4	90201-08113	WASHER, Plate	1	
5	95802-08012	BOLT, flange	1	
6	24X-21419-01	BRACKET, engine 2	2	
7	95821-08016	BOLT, flange	4	
8	95811-08095	BOLT, flange	1	
9	92901-08200	WASHER, Plain	1	
10	95811-08190	BOLT, flange	1	
11	90185-08089	NUT, self-locking	2	
12	90214-09019	WASHER, claw	1	
13	7F6-82591-00	BAND	1	
14	24X-28100-00	TOOL KIT	1	
15	2K7-85555-00	•PULLER, rotor	1	
16	23X-28135-00	•SPANNER, special	1	
17	2X4-2811A-00	GAUGE, air	1	
18	3G2-24182-00	DAMPER	2	



24X100-3170

FIG. 18 FRONT FENDER•REAR FENDER



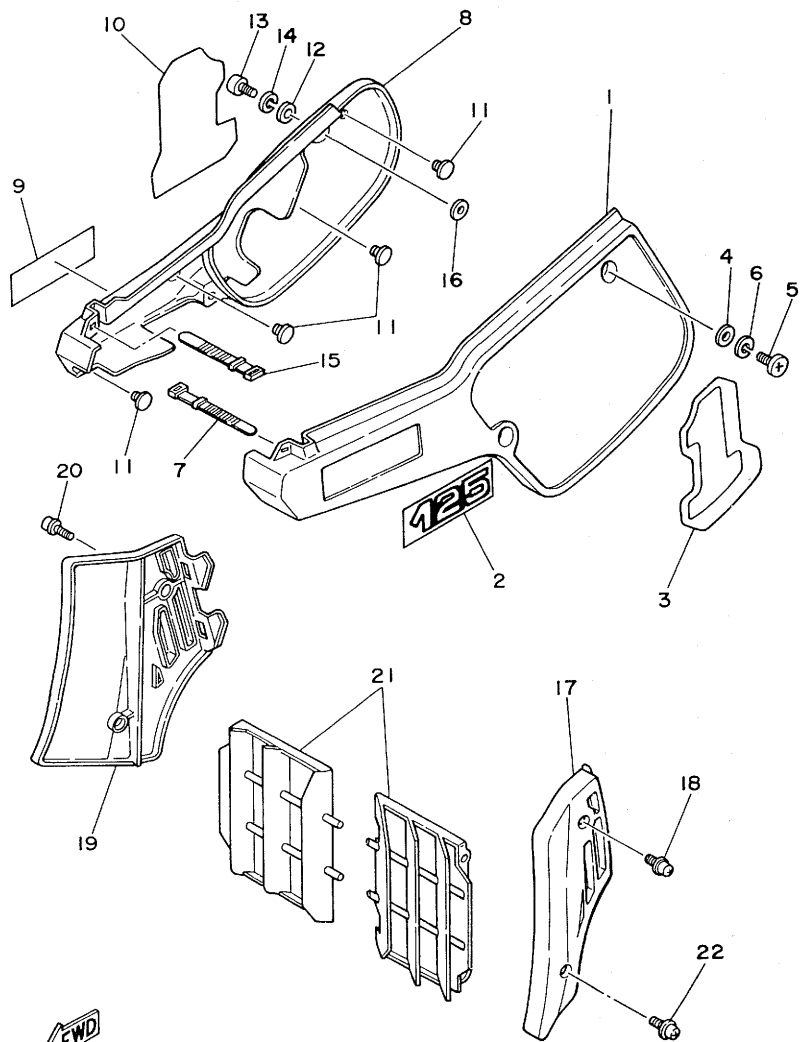
REF. NO.	PART NO.	DESCRIPTION	Q'TY	REMARKS
1	5X6-21511-10	FENDER, front	1	white
2	90201-06557	WASHER, Plate	4	
3	90209-06187	WASHER	4	
4	97302-06020	BOLT	4	
5	92902-06700	WASHER	4	
6	3R3-21611-11	FENDER, rear	1	white
7	90201-06571	WASHER, Plate	4	
8	97301-06016	BOLT	4	
9	92902-06700	WASHER	4	
10	4V2-21543-01	PLATE 1	1	
11	97301-06020	BOLT	2	
12	92901-06100	WASHER, sPring	2	
13	90201-06052	WASHER, Plate	4	
14	95601-06100	NUT, u	2	



24X100-3180

C9

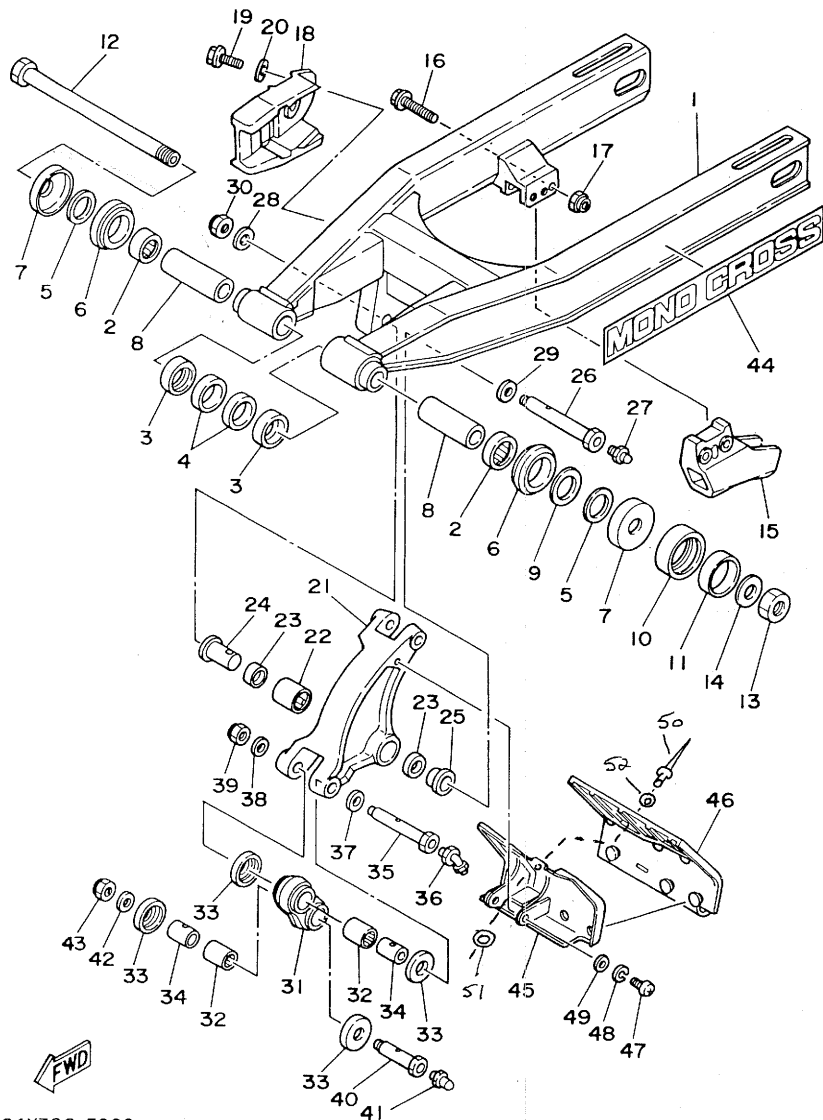
FIG. 19 SIDE COVER



REF. NO.	PART NO.	DESCRIPTION	Q'TY	REMARKS
1	24X-21711-10-98	COVER, side 1	1	low gloss black
2	5X4-21737-10	EMBLEM	1	
3	3R2-21782-00	EMBLEM 2	1	for Canada/Oceania
4	90201-06571	WASHER, Plate	2	
5	92501-06015	SCREW, Pan head	2	
6	92901-06100	WASHER, sPring	2	
7	437-83936-00	BAND, switch cord	1	
8	24X-21721-10-98	COVER, side 2	1	low gloss black
9	5X4-21737-10	EMBLEM	1	
10	3R2-21782-00	EMBLEM 2	1	for Canada/Oceania
11	22W-24181-00	DAMPER, locating 1	4	
12	90201-06571	WASHER, Plate	2	
13	92501-06015	SCREW, Pan head	2	
14	92901-06100	WASHER, sPring	2	
15	437-83936-00	BAND, switch cord	1	
16	92901-08200	WASHER, Plain	1	
17	24X-21731-00	COVER, side 3	1	
18	90159-05073	SCREW, with washer	1	
19	24X-21741-00	COVER, side 4	1	
20	90159-05073	SCREW, with washer	1	
21	24X-2172A-00	PANEL 1	2	
22	90159-05073	SCREW, with washer	4	

FWD
24X100-3190

FIG. 20 REAR ARM

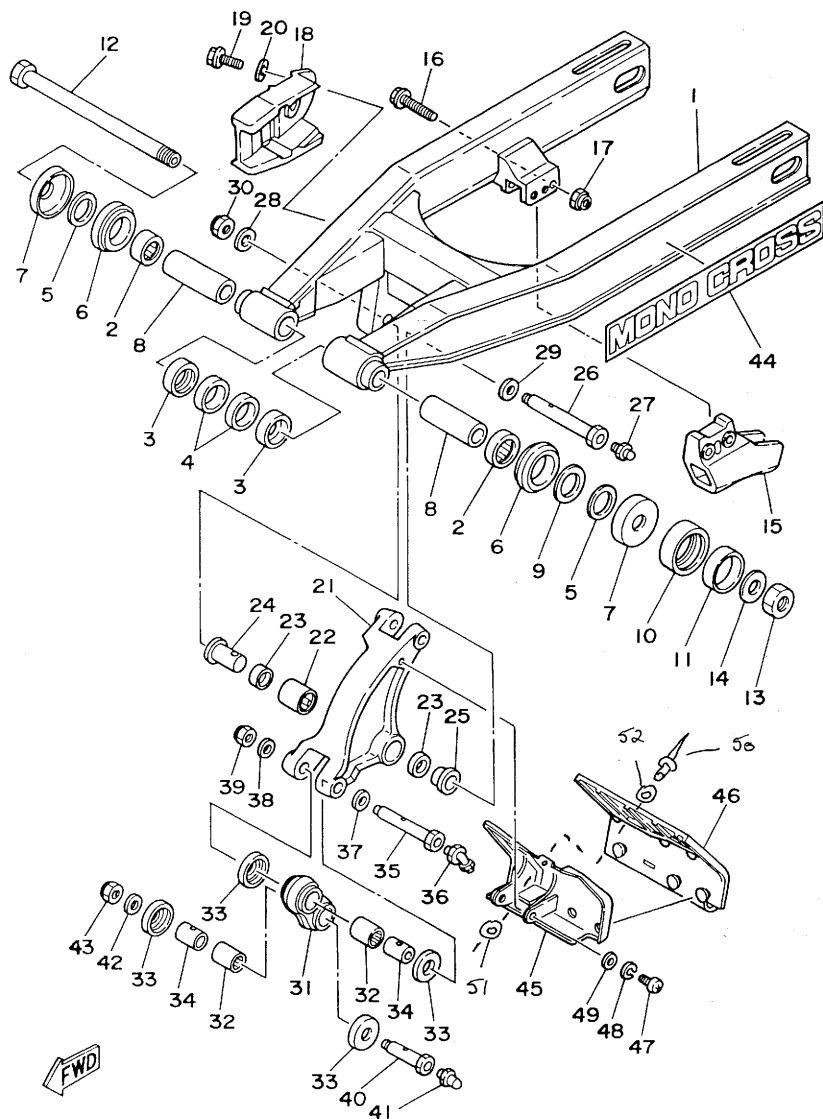


REF. NO.	PART NO.	DESCRIPTION	Q'TY	REMARKS
1	24X-22110-00	REAR ARM COMP.	1	
2	93317-32231	BEARING, cylindrical	2	UR
	93317-32231	BEARING, cylindrical	2	UR
3	90380-22111	BUSH, solid	2	
4	93106-22019	OIL SEAL	2	
5	90201-22680	WASHER, Plate	2	
6	93108-35004	OIL SEAL	2	
7	2K6-22128-01	COVER, thrust 1	2	
8	90380-16077	BUSH, solid	2	
9	156-22127-00	SHIM (0.3T)	1	UN
10	24X-22151-00	SEAL, Guard	1	
11	90387-440G3	COLLAR	1	
12	5X4-22141-00	SHAFT, Pivot	1	
13	90170-16111	NUT	1	
14	90201-160F6	WASHER, Plate	1	
15	5X4-22199-00	SUPPORT, chain	1	
16	95802-08045	BOLT, flange	2	
17	90185-08106	NUT, self-locking	2	
18	5X6-22147-01	PROTECTOR, chain	1	
19	95801-06020	BOLT, flange	2	
20	90201-06067	WASHER, Plate	2	
21	24X-2217A-00	ARM, relay	1	
22	93317-32034	BEARING, cylindrical	1	
23	93109-20029	OIL SEAL	2	
24	90387-147G6	COLLAR	1	
25	90387-147G7	COLLAR	1	
26	90109-12701	BOLT	1	
27	93700-06004	NIPPLE, Grease	1	

24X300-3200

C11

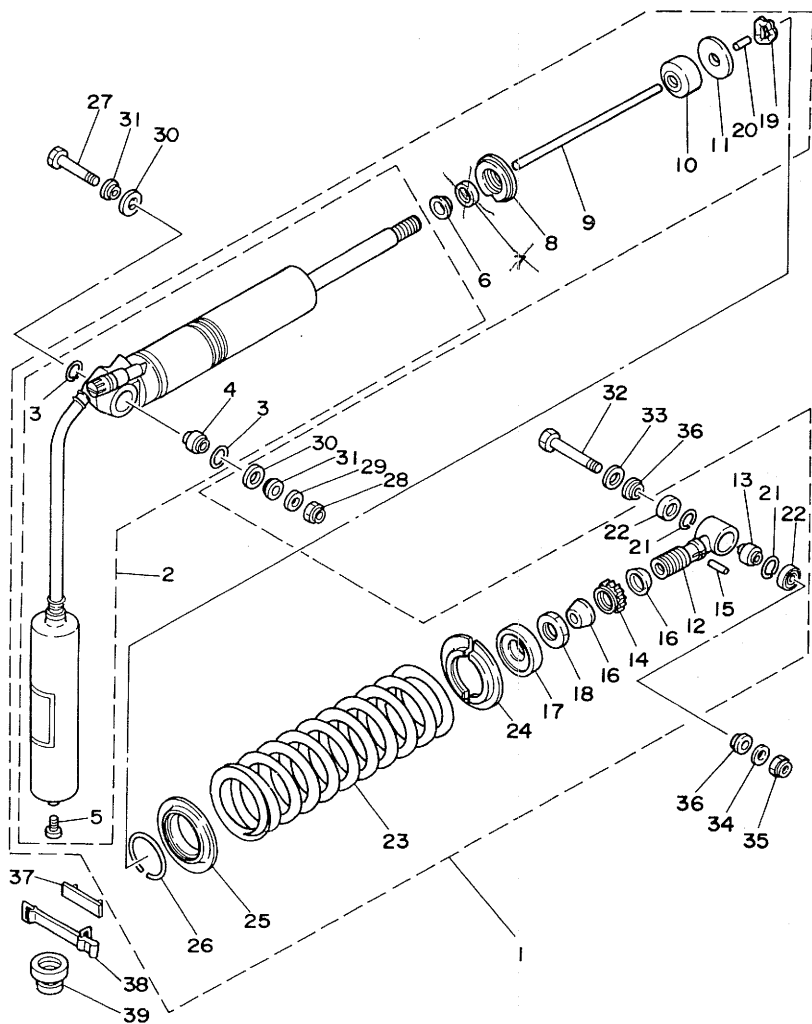
FIG. 20 REAR ARM



REF. NO.	PART NO.	DESCRIPTION	Q'TY	REMARKS
28	90201-120A5	WASHER, Plate	1	
29	90201-14222	WASHER, Plate	1	
30	90185-12119	NUT, self-locking	1	
31	24X-2217F-00	ROD, connecting 1	1	
32	93315-31732	BEARING, cylindrical	2	
33	23X-22129-00	COVER, thrust 2	4	
34	90387-121H1	COLLAR	2	
35	90109-10702	BOLT	1	
36	93700-06005	NIPPLE, Grease	1	
37	90201-120E6	WASHER, Plate	1	
38	90201-100E9	WASHER, Plate	1	
39	90185-10120	NUT, self-locking	1	
40	90109-10703	BOLT	1	
41	93700-06004	NIPPLE, Grease	1	
42	90201-10430	WASHER, Plate	1	
43	95611-10100	NUT, u	1	
44	5X3-2218A-00	EMBLEM, rear arm	2	
45	24X-21652-00	PROTECTOR	1	
46	24X-21691-00	FLAP	1	
47	90159-05026 98501-05040	SCREW, Pan head	2	
48	92901-05100	WASHER, Spring	2	} DELETED
49	92901-05200	WASHER, Plain	2	
50	90267-40075	RIVET, BLIND	1	
51	90201-04018	WASHER	1	
52	90201-04797	WASHER	1	

24X300-3200

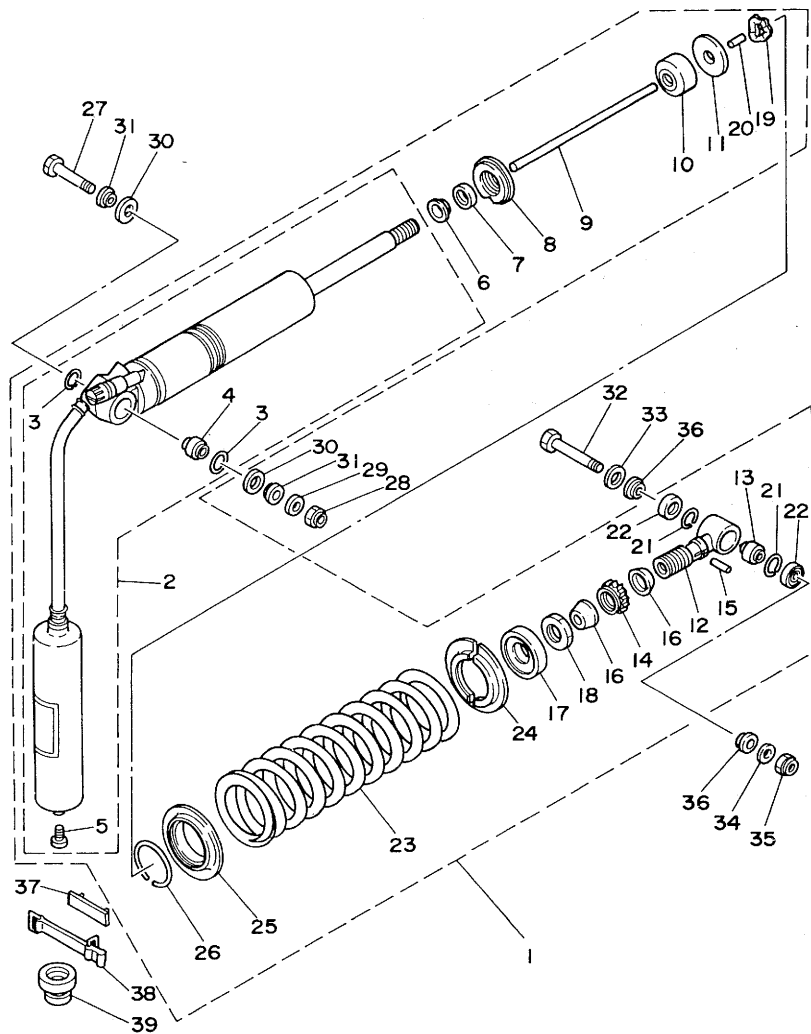
FIG. 21 REAR SUSPENSION



24X100-3210

REF. NO.	PART NO.	DESCRIPTION	Q'TY	REMARKS
1	24X-22210-00-6W	SHOCK ABSORBER ASSY, rear	1	native red
2	24X-22401-00	•DAMPER SUB ASSY	1	
3	93440-30113	••CIRCLIP	2	
4	93399-99911	••BEARING	1	
5	98501-04005	••SCREW, Pan head	1	
6	23x 3R4-22475-00	•SEAL, dust <i>INTERCHANGEABLE</i>	1	
7	3R4-22473-00 26A	•HOUSING, seal ring	1	<i>DELETED</i>
8	4L0-22472-00	•CAP, case <i>INTERCHANGEABLE</i>	1	
9	23X-22489-00	•ROD, Push	1	
10	23X-22493-00	•BUMP, stop	1	
11	3R4-22228-00	•SUPPORT, bump stop	1	
12	23X-22409-00	•UPPER BRACKET SUB ASSY	1	
13	93399-99911	•BEARING	1	
14	5X3-22497-00	•NUT, adjusting	1	
15	93604-26132	•PIN, dowel	1	
16	3R4-22221-01	•COVER	2	
17	23X-22213-00	•SEAT, sPring upper	1	
18	90170-20213	•NUT	1	
19	90206-14067	•WASHER, wave	1	
20	93604-21193	•PIN, dowel	1	
21	93440-30113	•CIRCLIP	2	
22	93104-18077	•OIL SEAL	2	
23	24X-22212-00-6W	•SPRING	1	native red
24	23X-22214-00	•GUIDE, sPring 1	2	
25	23X-22223-00	•SEAT, sPring lower	1	
26	93440-51103	•CIRCLIP	1	
27	90109-10704	BOLT	1	
28	90185-10120	NUT, self-locking	1	

FIG. 21 REAR SUSPENSION

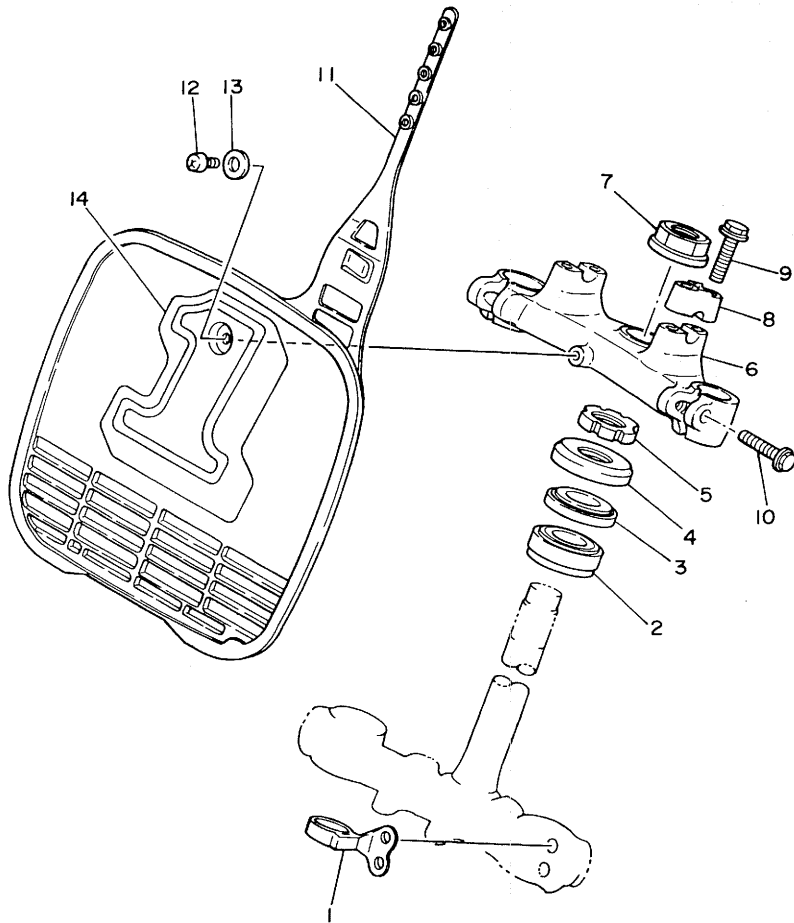


REF. NO.	PART NO.	DESCRIPTION	Q'TY	REMARKS
29	90201-10430	WASHER, Plate	1	
30	23X-22211-00	COVER	2	
31	90387-127G8	COLLAR	2	
32	90109-10700	BOLT	1	
33	90201-120E6	WASHER, Plate	1	
34	90201-100E9	WASHER, Plate	1	
35	90185-10120	NUT, self-locking	1	
36	90387-126H8	COLLAR	2	
37	24X-22261-00	DAMPER, sub tank	1	
38	24X-22262-00	HOLDER, sub tank	1	
39	90480-22263	GROMMET	1	

24X100-3210

C14

FIG. 22 STEERING



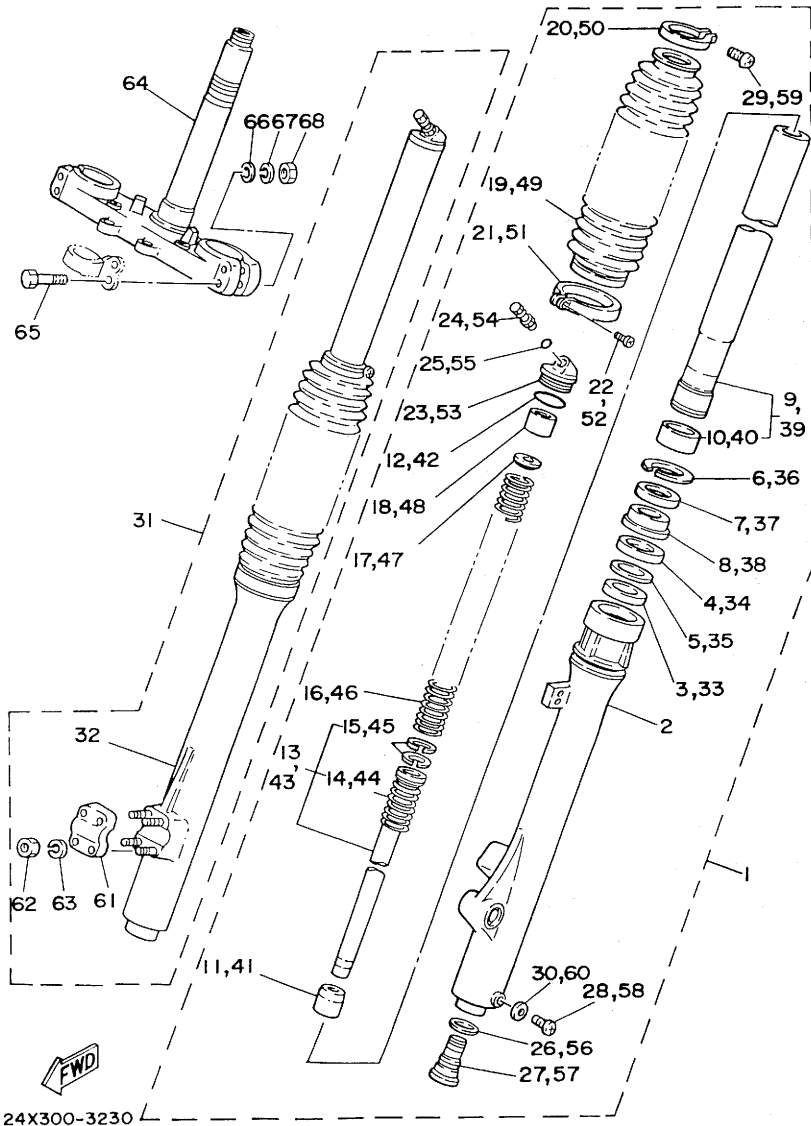
REF. NO.	PART NO.	DESCRIPTION	Q'TY	REMARKS
1	3R4-23389-00	GUIDE, cable	1	
2	93332-00008	BEARING	1	
3	93332-00023	BEARING	1	
4	1W1-23416-00	COVER, ball race 2	1	
5	90179-25033	NUT	1	
6	24X-23435-00-98	CROWN, handle	1	low gloss black
7	90179-22330	NUT	1	
8	1E6-23441-00-98	HOLDER, handle upper	2	low gloss black
9	95821-08035	BOLT, flange	4	
10	95821-10040	BOLT, flange	2	
11	24X-23485-10	PLATE, number	1	
12	97801-06012	SCREW, Pan head	1	
13	90201-06571	WASHER, Plate	1	
14	24X-23395-00	EMBLEM	1	for Canada/Oceania



24X100-3220

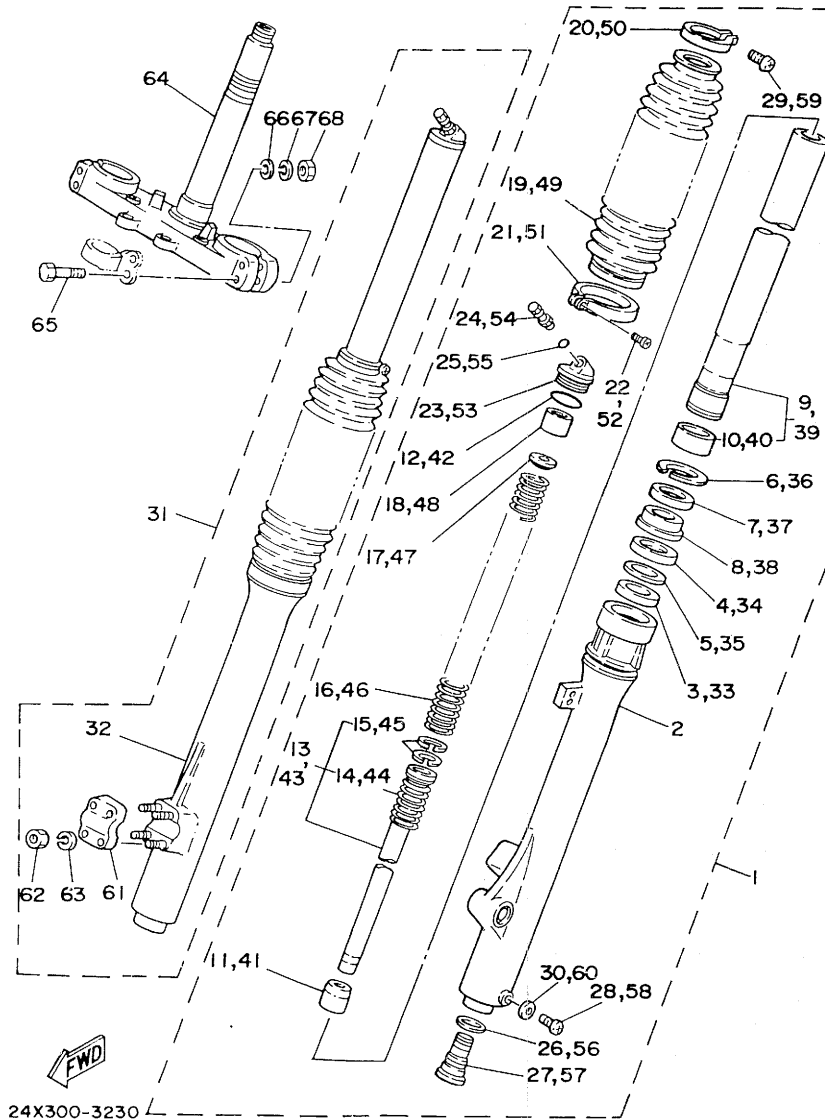
C15

FIG. 23 FRONT FORK 1 (FOR EUROPE /OTHERS)



REF. NO.	PART NO.	DESCRIPTION	Q'TY	REMARKS
1	24X-23102-M0	FRONT FORK ASSY (L.H)	1	
2	24X-23126-L0	•TUBE, outer 1	1	
3	4V2-23125-L0	•METAL, slide 1	1	
4	1W4-23145-L0	•OIL SEAL	1	
5	4V2-23146-L0	•WASHER, oil seal	1	
6	3R4-23153-00	•RING, snap	1	
7	3R4-23147-00	•SEAL, dust	1	
8	3R4-23148-00	•COVER, dust seal	1	
9	24X-23110-L0	•INNER TUBE COMP.1	1	
10	4V2-23171-L0	•PISTON, front fork	1	
11	24X-23173-L0	•SPINDLE, taPer	1	
12	1W4-23114-L0	•GASKET	1	
13	24X-23170-M0	•CYLINDER COMP., front fork	1	
14	1W4-23151-L0	•SPRING, rebound	1	
15	4V2-23157-L0	•RING, Piston	2	
16	24X-23141-M0	•SPRING, front fork (K=0.26)	1	
17	1W4-23142-L0	•SEAT, sPrinG uPPer	1	
18	16E-23118-00	•SPACER (L=30)	1	
19	24X-23191-M0	•BOOT	1	
20	1W4-23192-L0	•BAND	1	
21	5X8-23489-L1	•BAND	1	
22	98506-04020	•SCREW, Pan head	1	
23	24X-23111-L0	•BOLT, caP	1	
24	4V4-23190-L0	•AIR VALVE COMP.	1	
25	3J2-23147-00	•O-RING	1	
26	24X-23158-L0	•GASKET	1	
27	24X-2316A-M0	•VALVE COMP.	1	
28	122-23119-01	•PLUG, drain	1	

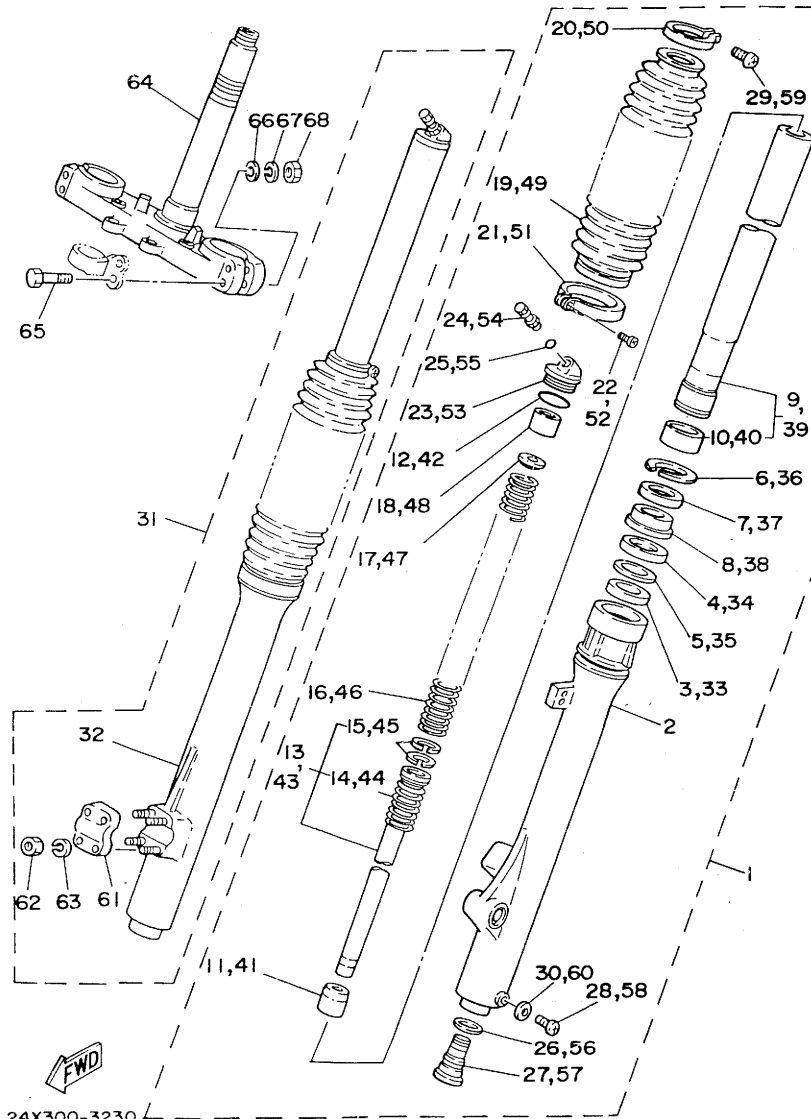
FIG. 23 FRONT FORK 1 (FOR EUROPE /OTHERS)



REF. NO.	PART NO.	DESCRIPTION	Q'TY	REMARKS
29	98506-04018	•SCREW, Pan head	1	
30	122-23129-00	•GASKET, drain Plug	1	
31	24X-23103-M0	FRONT FORK ASSY (R.H)	1	
32	24X-23136-L0	•TUBE, outer 2	1	
33	4V2-23125-L0	•METAL, slide 1	1	
34	1W4-23145-L0	•OIL SEAL	1	
35	4V2-23146-L0	•WASHER, oil seal	1	
36	3R4-23153-00	•RING, snap	1	
37	3R4-23148-00	•SEAL, dust	1	
38	3R4-23148-00	•COVER, dust seal	1	
39	24X-23110-L0	•INNER TUBE COMP.1	1	
40	4V2-23171-L0	•PISTON, front fork	1	
41	24X-23173-L0	•SPINDLE, taPer	1	
42	1W4-23114-L0	•GASKET	1	
43	24X-23170-M0	•CYLINDER COMP., front fork	1	
44	1W4-23151-L0	••SPRING, rebound	1	
45	4V2-23157-L0	••RING, Piston	2	
46	24X-23141-M0	•SPRING, front fork (K=0.26)	1	
47	1W4-23142-L0	•SEAT, sPring uPper	1	
48	16E-23118-00	•SPACER (L=30)	1	
49	24X-23191-M0	•BOOT	1	
50	1W4-23192-L0	•BAND	1	
51	5X8-23489-L1	•BAND	1	
52	98506-04020	•SCREW, Pan head	1	
53	24X-23111-L0	•BOLT, caP	1	
54	23X-23190-L0	•AIR VALVE COMP.	1	
55	3J2-23147-00	•O-RING	1	
56	24X-23158-L0	•GASKET	1	

D3

FIG. 23 FRONT FORK 1 (FOR EUROPE/OTHERS)

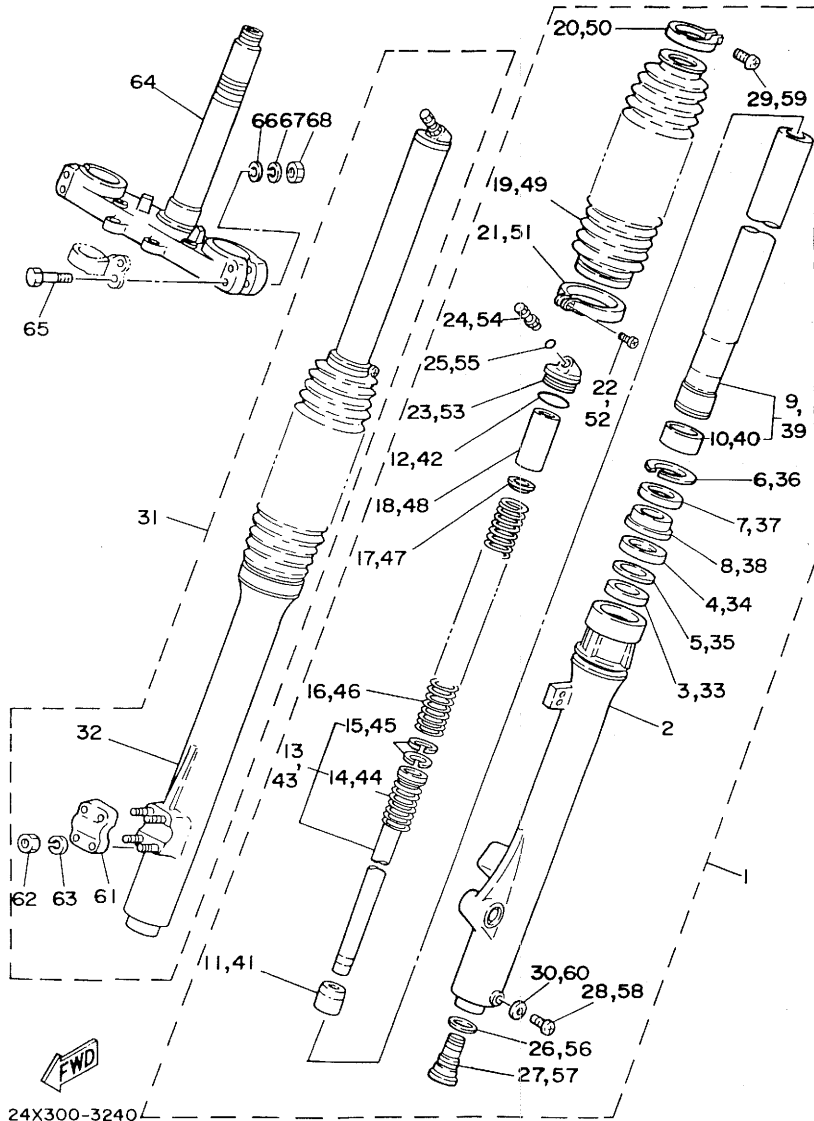


REF. NO.	PART NO.	DESCRIPTION	Q'TY	REMARKS
57	24X-2316A-L0	•VALVE COMP.	1	
58	122-23119-01	•PLUG, drain	1	
59	98506-04018	•SCREW, Pan head	1	
60	122-23129-00	•GASKET, drain Plug	1	
61	4V2-23167-L0	•HOLDER, axle	1	
62	95311-06600	•NUT	4	
63	92901-06100	•WASHER, sPring	4	
64	24X-23340-L0-39	UNDER BRACKET COMP.	1	
65	90109-08397	BOLT	4	
66	90201-08544	WASHER, Plate	4	
67	92901-08100	WASHER, sPring	4	
68	95311-08600	NUT	4	

24X300-3230

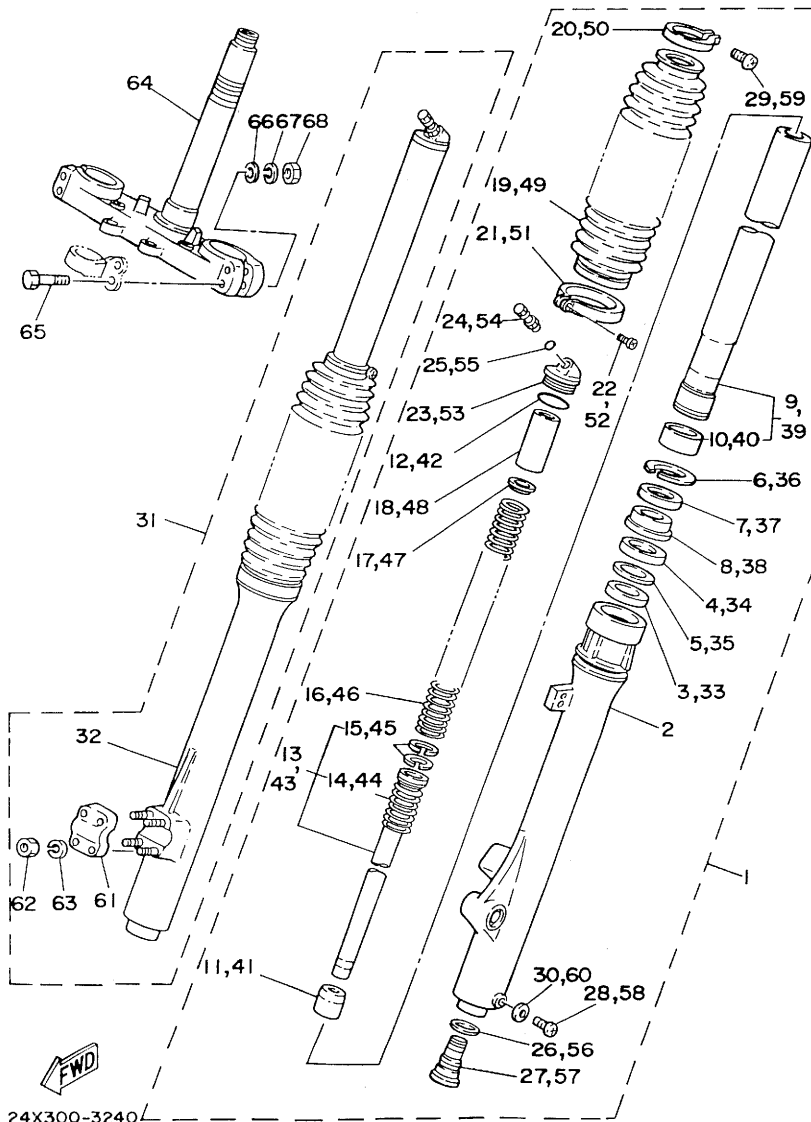
D4

FIG. 24 FRONT FORK 2 (FOR CANADA/OCEANIA)



REF. NO.	PART NO.	DESCRIPTION	Q'TY	REMARKS
1	24X-23102-M0	FRONT FORK ASSY (L.H)	1	
2	24X-23126-L0	.TUBE, outer 1	1	
3	4V2-23125-L0	.METAL, slide 1	1	
4	1W4-23145-L0	.OIL SEAL	1	
5	4V2-23146-L0	.WASHER, oil seal	1	
6	3R4-23153-00	.RING, snap	1	
7	3R4-23144-00	.SEAL, dust	1	
8	3R4-23148-00	.COVER, dust seal	1	
9	24X-23110-L0	.INNER TUBE COMP.1	1	
10	4V2-23171-L0	..PISTON, front fork	1	
11	24X-23173-L0	.SPINDLE, taPer	1	
12	1W4-23114-L0	.GASKET	1	
13	24X-23170-L0	.CYLINDER COMP., front fork	1	
14	1W4-23151-L0	..SPRING, rebound	1	
15	4V2-23157-L0	..RING, Piston	2	
16	24X-23141-L0	.SPRING, front fork (K=0.25)	1	
17	1W4-23142-L0	.SEAT, sPring uPPer	1	
18	24X-23118-L0	.SPACER (L=70)	1	
19	24X-23191-M0	.BOOT	1	
20	1W4-23192-L0	.BAND	1	
21	5X8-23489-L1	.BAND	1	
22	98506-04020	.SCREW, Pan head	1	
23	24X-23111-L0	.BOLT, caP	1	
24	24X ^{4V4} -23190-L0	.AIR VALVE COMP.	1	
25	3J2-23147-00	.O-RING	1	
26	24X-23158-L0	.GASKET	1	
27	24X-2316A-L0	.VALVE COMP.	1	
28	122-23119-01	.PLUG, drain	1	

FIG. 24 FRONT FORK 2 (FOR CANADA/OCEANIA)

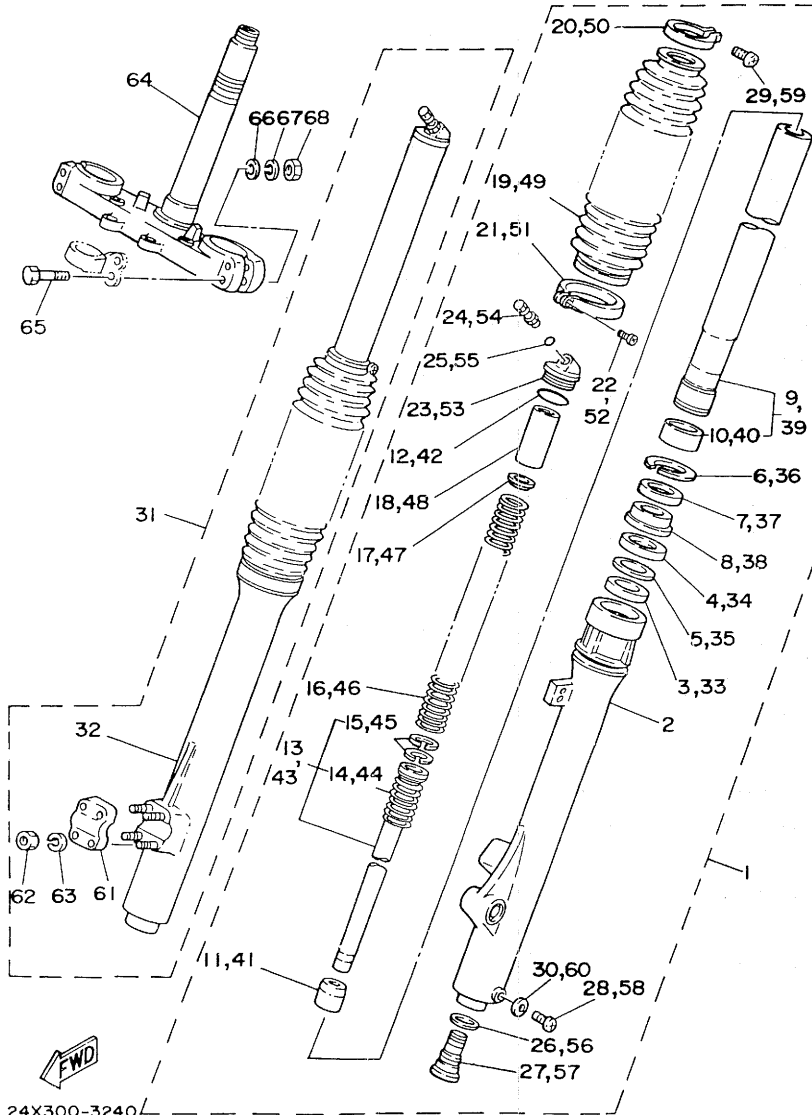


24X300-3240

REF. NO.	PART NO.	DESCRIPTION	Q'TY	REMARKS
29	98506-04018	•SCREW, Pan head	1	
30	122-23129-00	•GASKET, drain Plug	1	
31	24X-23103-N0	FRONT FORK ASSY (R.H)	1	
32	24X-23136-L0	•TUBE, outer 2	1	
33	4V2-23125-L0	•METAL, slide 1	1	
34	1W4-23145-L0	•OIL SEAL	1	
35	4V2-23146-L0	•WASHER, oil seal	1	
36	3R4-23153-00	•RING, snap	1	
37	3R4-23144-00	•SEAL, dust	1	
38	3R4-23148-00	•COVER, dust seal	1	
39	24X-23110-L0	•INNER TUBE COMP.1	1	
40	4V2-23171-L0	•PISTON, front fork	1	
41	24X-23173-L0	•SPINDLE, taPer	1	
42	1W4-23114-L0	•GASKET	1	
43	24X-23170-L0	•CYLINDER COMP., front fork	1	
44	1W4-23151-L0	•SPRING, rebound	1	
45	4V2-23157-L0	•RING, Piston	2	
46	24X-23141-L0	•SPRING, front fork (K=0.25)	1	
47	1W4-23142-L0	•SEAT, sPring uPper	1	
48	24X-23118-L0	•SPACER (L=70)	1	
49	24X-23191-M0	•BOOT	1	
50	1W4-23192-L0	•BAND	1	
51	5X8-23489-L1	•BAND	1	
52	98506-04020	•SCREW, Pan head	1	
53	24X-23111-L0	•BOLT, caP	1	
54	4V4 23X-23190-L0	•AIR VALVE COMP.	1	
55	3J2-23147-00	•O-RING	1	
56	24X-23158-L0	•GASKET	1	

D6

FIG. 24 FRONT FORK 2 (FOR CANADA/OCEANIA)

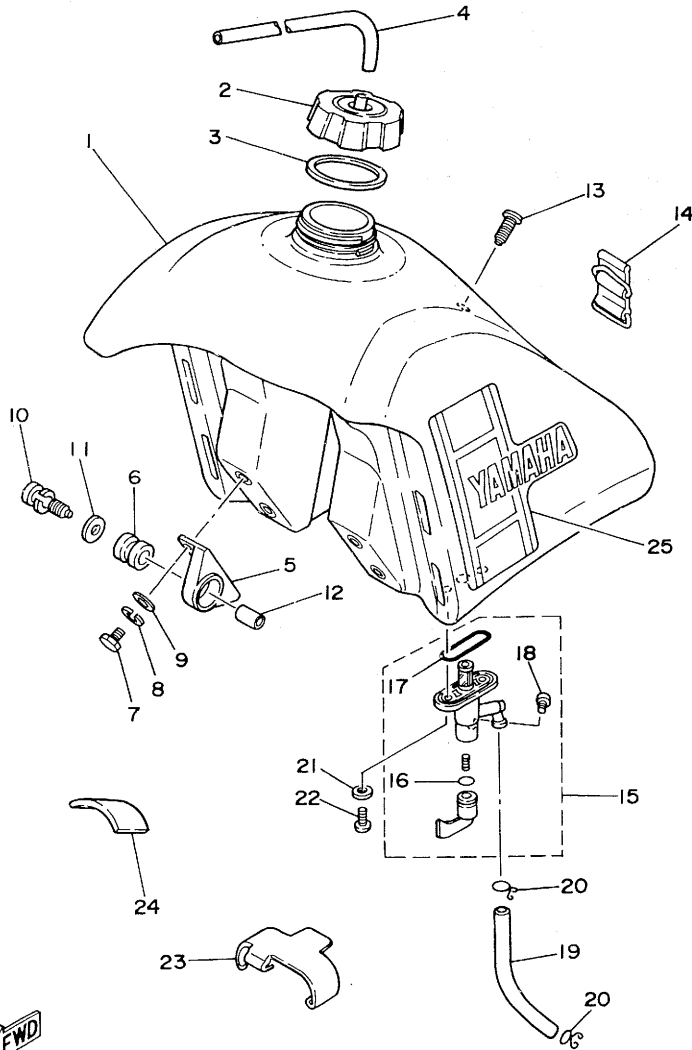


REF. NO.	PART NO.	DESCRIPTION	Q'TY	REMARKS
57	24X-2316A-LO	•VALVE COMP.	1	
58	122-23119-01	•PLUG, drain	1	
59	98506-04018	•SCREW, Pan head	1	
60	122-23129-00	•GASKET, drain Plug	1	
61	4V2-23167-LO	•HOLDER, axle	1	
62	95311-06600	•NUT	4	
63	92901-06100	•WASHER, sPring	4	
64	24X-23340-LO-39	UNDER BRACKET COMP.	1	
65	90109-08397	BOLT	4	
66	90201-08544	WASHER, Plate	4	
67	92901-08100	WASHER, sPring	4	
68	95311-08600	NUT	4	

24X300-3240

D7

FIG. 25 FUEL TANK



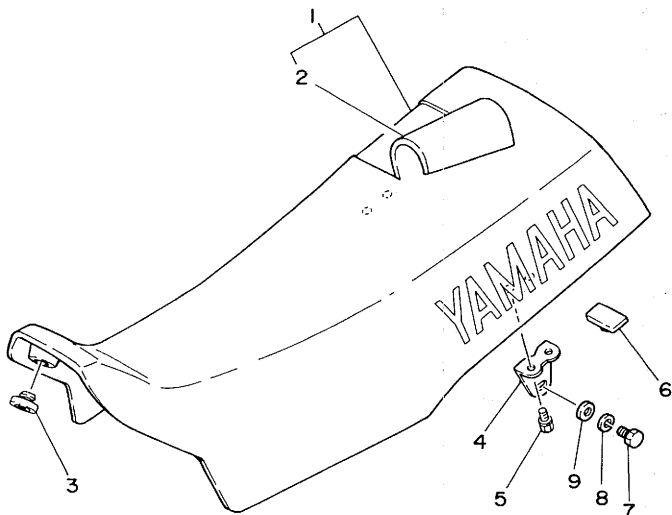
REF. NO.	PART NO.	DESCRIPTION	Q'TY	REMARKS
1	24X-24110-10	FUEL TANK COMP.	1	
2	5X7-24611-01	BODY, caP	1	
3	5X7-24612-00	GASKET, caP	1	
4	90445-09300	HOSE	1	
5	24X-24144-00	HOLDER, damPer	2	
6	90480-18354	GROMMET	2	
7	97301-06016	BOLT	4	
8	92901-06100	WASHER, sPring	4	
9	92901-06600	WASHER, Plate	4	
10	90119-06073	BOLT, with washer	2	
11	90201-06069	WASHER, Plate	2	
12	90387-06553	COLLAR	2	
13	98902-06018	SCREW, bind	1	
14	3R3-24173-00	BAND, tank fitting	1	
15	2K5-24500-00	FUEL COCK ASSY 1	1	
16	214-24512-00	.GASKET	1	
17	1A0-24512-00	.O-RING	1	
18	619-24535-00	.SCREW, lever fitting	1	
19	90445-11182	HOSE	1	
20	90467-10008	CLIP	2	
21	90202-06010	WASHER, Plate	2	
22	90148-06011	SCREW	2	
23	24X-24181-00	DAMPER, locating	1	
24	4N0-24181-00	DAMPER, locating	1	
25	24X-24250-10	GRAPHIC SET	1	

FWD
24X100-3240

D8

FIG. 26 SEAT

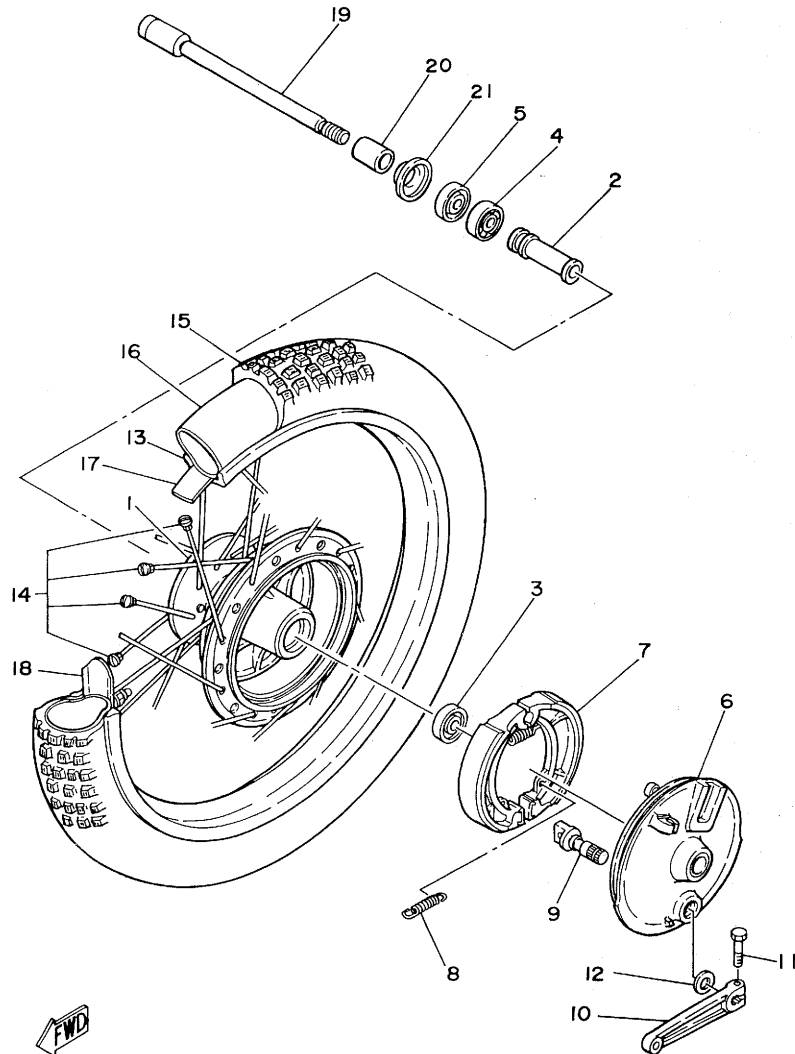
REF. NO.	PART NO.	DESCRIPTION	Q'TY	REMARKS
1	24X-W2473-10	SEMI-DOUBLE SEAT ASSY	1	
2	24X-24731-10	COVER, seat	1	
3	22W-24731-00 509 24 DAMPER	PAD, seat INTERCHANGEABLE	2	
4	23X-24738-00	BRACKET, seat	2	
5	95801-06012	BOLT, flange	4	
6	509-24724-00	DAMPER, seat	1	
7	97321-06016	BOLT	2	
8	92901-06100	WASHER, spring	2	
9	90201-06067	WASHER, plate	2	



24X100-3250

D9

FIG. 27 FRONT WHEEL

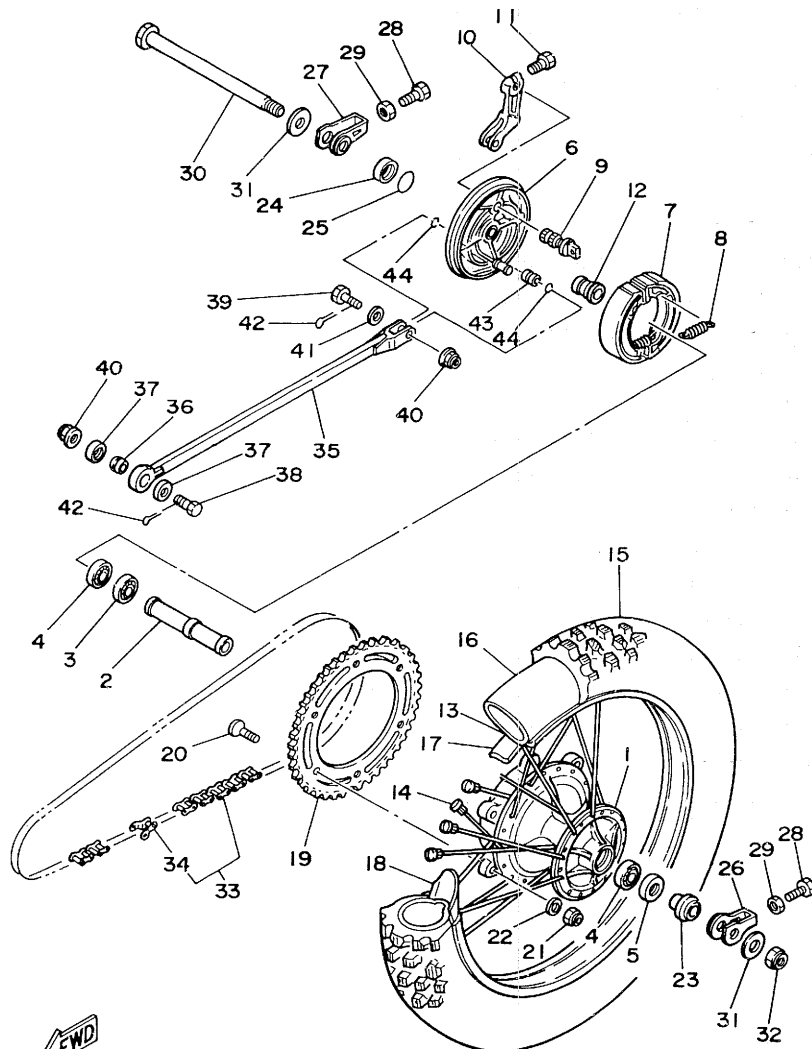


REF. NO.	PART NO.	DESCRIPTION	Q'TY	REMARKS
1	23X-25111-00-98	HUB, front	1	low gloss black
2	90560-15227	SPACER	1	
3	93306-20203	BEARING (B6202RS)	1	
4	93306-20205	BEARING (B6202)	1	
5	93102-20281	DIL SEAL	1	
6	1W1-25121-02-98	PLATE, brake shoe	1	low gloss black
7	322-25130-00	BRAKE SHOE COMP.	2	
8	90506-16036	SPRING, tension	2	
9	24X-25151-00	CAMSHAFT	1	
10	322-25155-00	LEVER, camshaft 1	1	
11	90101-06291	BOLT	1	
12	137-25159-00	SEAL, camshaft	1	
13	94416-21357	RIM (1.60-21)	1	
14	23X-25104-00	SPOKE SET, front	1	
15	94130-21732	TIRE (3.00-21)	1	UR bridgestone except Canada
	94130-213A4	TIRE (3.00-21)	1	UR bridgestone for Canada
16	94227-21123	TUBE (2.75-21)	1	bridgestone
17	94330-21084	BAND, rim (3.00-21)	1	bridgestone
18	4V5-25194-00	SPACER, bead	1	
19	3R4-25181-01	AXLE, wheel	1	
20	90387-15535	COLLAR	1	
21	322-25118-00	COVER, hub dust	1	



5X4100-2261

FIG. 28 REAR WHEEL

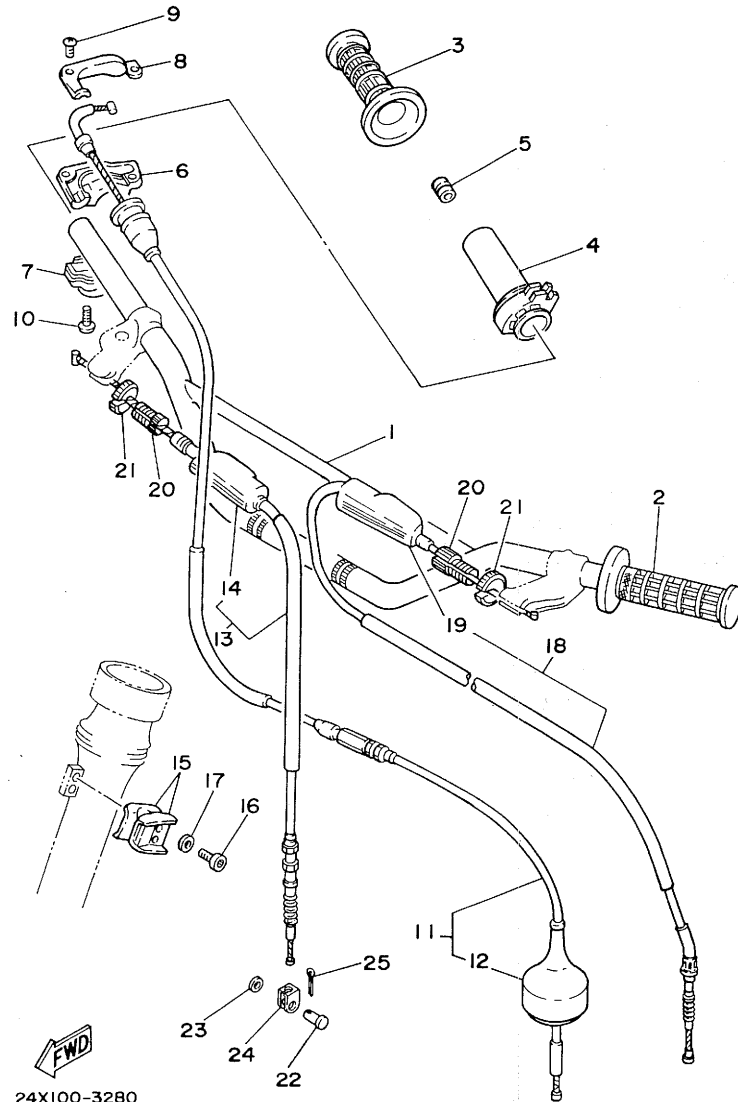


REF. NO.	PART NO.	DESCRIPTION	Q'TY	REMARKS
1	24X-25311-00-98	HUB, rear	1	low gloss black
2	90560-17231	SPACER	1	
3	93306-20310	BEARING (B6203RS)	1	
4	93306-20316	BEARING (B6203)	2	
5	93102-25044	OIL SEAL	1	
6	24X-25321-00-98	PLATE, brake shoe	1	low gloss black
7	24X-25330-00	BRAKE SHOE COMP.	2	
8	90506-16036	SPRING, tension	2	
9	24X-25351-00	CAMSHAFT	1	
10	5X4-25355-00	LEVER, camshaft	1	
11	90101-06291	BOLT	1	
12	90387-210H8	COLLAR	1	
13	94418-18355	RIM (1.85-18)	1	
14	24X-25304-00	SPOKE SET, rear	1	
15	94140-18735	TIRE (4.00-18)	1	UR bridgestone except Canada
	94113-183A3	TIRE	1	UR bridgestone for Canada
16	94237-18120	TUBE (3.75-18)	1	bridgestone
17	94330-18087	BAND, rim (3.00-18)	1	bridgestone
18	2X3-25394-00	SPACER, bead	2	
19	3R4-25448-00	SPROCKET, driven (48T)	1	STD
	3R4-25444-01	SPROCKET, driven (44T)	1	AP
	3R4-25445-00	SPROCKET, driven (45T)	1	AP
	3R4-25446-00	SPROCKET, driven (46T)	1	AP
	3R4-25450-00	SPROCKET, driven (50T)	1	AP
	3R4-25452-00	SPROCKET, driven (52T)	1	AP
20	90109-08706	BOLT	6	
21	90185-08089	NUT, self-locking	6	
22	90201-081A6	WASHER, Plate	6	

24X100-3270

D11

FIG. 29 HANDLEBAR.CABLE

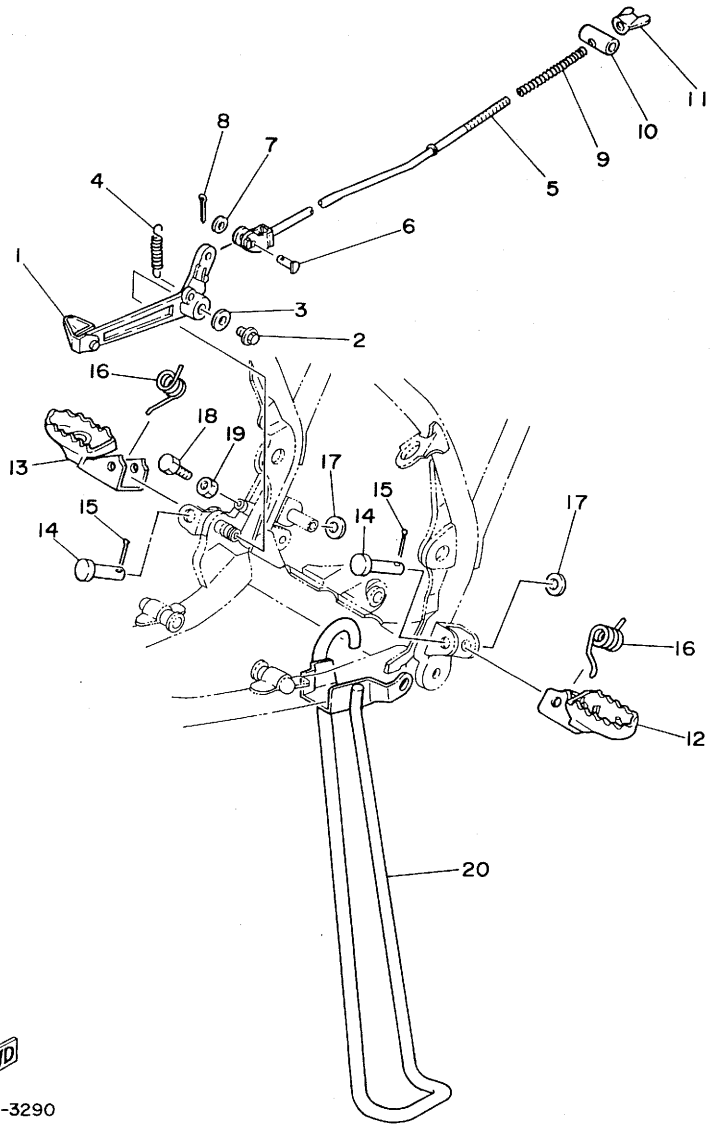


24X100-3280

REF. NO.	PART NO.	DESCRIPTION	Q'TY	REMARKS
1	23X-26111-00	HANDLEBAR	1	
2	4V4-26241-00	GRIP (L.H)	1	
3	4V4-26242-00	GRIP (R.H)	1	
4	23X-26243-00	TUBE, throttle Guide	1	
5	688-82535-00	GROMMET	1	
6	23X-26281-00	CAP, grip upper	1	
7	431-26282-01-98	CAP, grip lower	1	
8	5X2-2628H-01	CAP, wire	1	
9	98606-04012	SCREW, oval head	2	
10	98506-05016	SCREW, Pan head	2	
11	24X-26311-00	CABLE, throttle 1	1	
12	500-26329-01	•CAP, rubber	1	
13	24X-26341-00	CABLE, brake	1	
14	382-26372-01	•COVER, handle lever 1	1	
15	90465-14192	CLAMP	2	
16	91311-06016	BOLT	2	
17	92901-06600	WASHER, Plate	2	
18	24X-26335-00	CABLE, clutch	1	
19	382-26372-01	•COVER, handle lever 1	1	
20	90123-08090	BOLT	2	
21	90179-08401	NUT	2	
22	90240-08012	PIN, clevis	1	
23	90201-08083	WASHER, Plate	1	
24	156-26347-00	JOINT, cable	1	
25	91401-20015	PIN, cotter	1	

D13

FIG. 30 STAND.FOOTREST



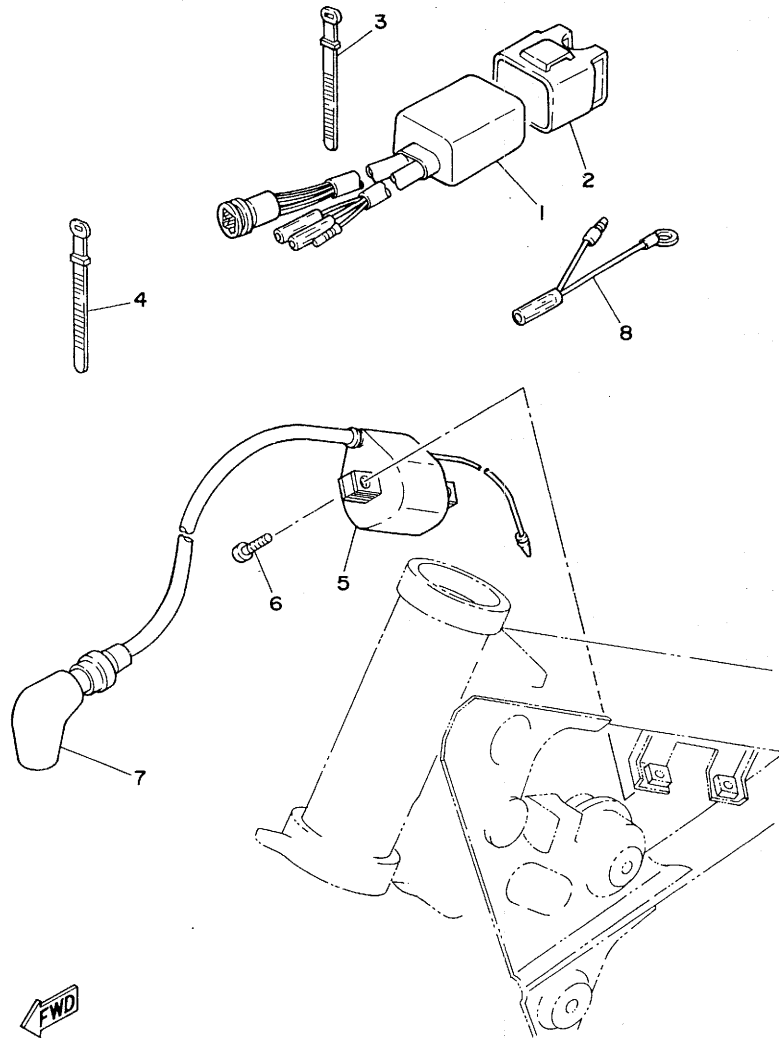
REF. NO.	PART NO.	DESCRIPTION	Q'TY	REMARKS
1	24X-27200-00	PEDAL, brake	1	
2	95801-08012	BOLT, flange	1	
3	90201-08730	WASHER, Plate	1	
4	90506-20192	SPRING, tension	1	
5	24X-27231-00	ROD, brake	1	
6	90240-06103	PIN, clevis	1	
7	92901-06200	WASHER, Plain	1	
8	91401-20015	PIN, cotter	1	
9	90501-10245	SPRING, compression	1	
10	90249-12008	PIN	1	
11	90175-06016	NUT, wing	1	
12	23X-27411-01	FOOTREST 1	1	
13	23X-27421-01	FOOTREST 2	1	
14	90240-10101	PIN, clevis	2	
15	91401-25020	PIN, cotter	2	
16	90508-20583	SPRING, torsion	2	
17	90201-10119	WASHER, Plate	2	
18	90101-06534	BOLT	1	
19	95301-06700	NUT	1	
20	24X-27311-00	STAND, side	1	


24X100-3290

D14

FIG. 31 ELECTRICAL 1

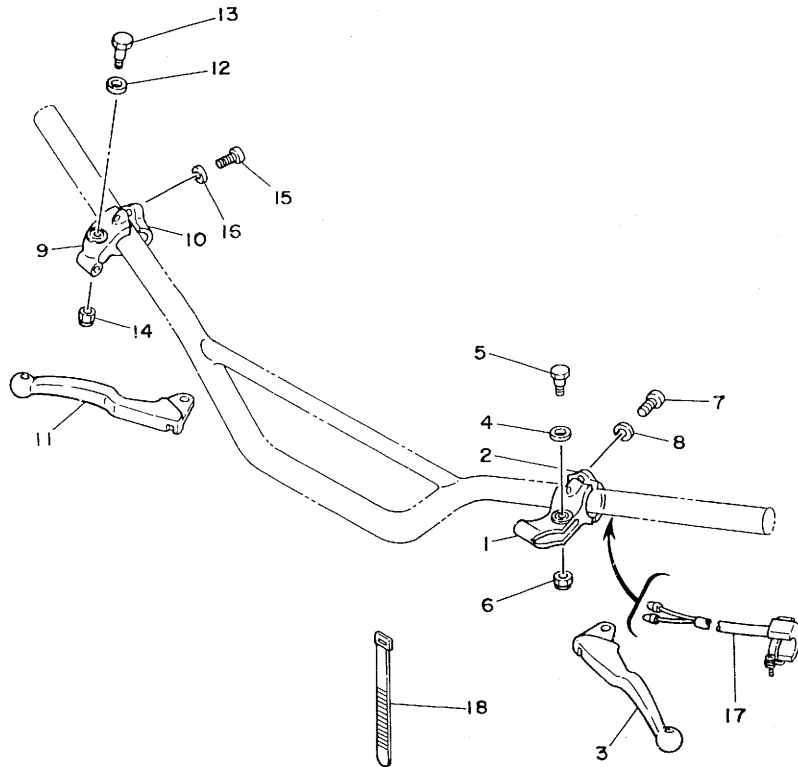
REF. NO.	PART NO.	DESCRIPTION	Q'TY	REMARKS
1	24X-85540-10	C.D.I. UNIT ASSY	1	
2	2A7-85546-00	BAND	1	
3	256-83936-00	BAND, switch cord	1	
4	437-83936-00	BAND, switch cord	2	
5	24X-82310-10	IGNITION COIL ASSY	1	
6	92501-06020	SCREW, Pan head	2	
7	3R0-82370-20	PLUG CAP ASSY	1	UR
	1M1-82370-21	PLUG CAP ASSY	1	UR with noise suppressor
8	5X1-82519-00	WIRE, earth lead	1	



24X100-3300

D15

FIG. 32 HANDLE SWITCH-LEVER



REF. NO.	PART NO.	DESCRIPTION	Q'TY	REMARKS
1	23X-82911-00	HOLDER, lever 1	1	
2	23X-82913-00	HOLDER, lever lower 1	1	
3	23X-83912-00	LEVER 1	1	
4	90201-08083	WASHER, Plate	1	
5	90109-06410	BOLT	1	
6	95601-06100	NUT, u	1	
7	98506-05018	SCREW, Pan head	2	
8	92906-05100	WASHER, sPring	2	
9	23X-82921-00	HOLDER, lever 2	1	
10	23X-82913-00	HOLDER, lever lower 1	1	
11	23X-83922-00	LEVER 2	1	
12	90201-08083	WASHER, Plate	1	
13	90109-06410	BOLT	1	
14	95601-06100	NUT, u	1	
15	98506-05018	SCREW, Pan head	2	
16	92906-05100	WASHER, sPring	2	
17	23X-83976-00	SWITCH, handle 1	1	
18	437-83936-00	BAND, switch cord	2	

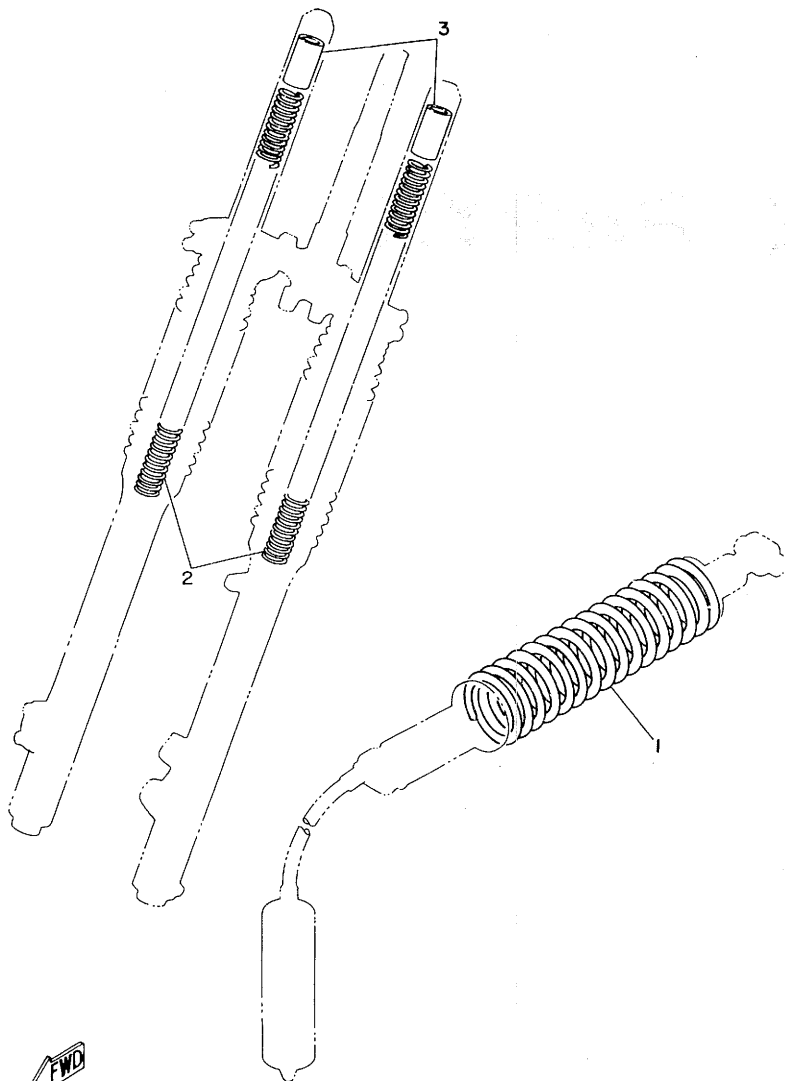


24X100-3310

E2

ALTERNATE PARTS

FIG. 33 ALTERNATE (CHASSIS)



REF. NO.	PART NO.	DESCRIPTION	Q'TY	REMARKS
1	24X-22212-10-6W	SPRING	1	UR native red soft
	24X-22212-20-6W	SPRING	1	UR native red hard
2	24X-23141-20	SPRING, front fork (K=0.28)	2	hard (use spacer 24X-2311B-L0)
3	24X-23118-L0	SPACER (L=70)	2	



5X4100-2321

E3

REPAIR KIT

FIG. 34 REPAIR KIT

REF. NO.	PART NO.	DESCRIPTION	Q'TY	REMARKS
1	24X-11630-00	PISTON ASSY (STD)	1	
2	24X-11631-00-94	.PISTON (STD)	1	
3	5X4-11611-00	.RING, Piston	1	
4	137-11633-00	.PIN, Piston	1	
5	4V2-11634-00	.CLIP, Piston Pin	2	
6	24X-11630-10	PISTON ASSY (1ST O/S)	1	
7	24X-11635-00	.PISTON (1ST O/S 0.25MM)	1	
8	5X4-11611-10	.RING, Piston	1	
9	137-11633-00	.PIN, Piston	1	
10	4V2-11634-00	.CLIP, Piston Pin	2	
11	24X-11630-20	PISTON ASSY (2ND O/S)	1	
12	24X-11636-00	.PISTON (2ND O/S 0.50MM)	1	
13	5X4-11611-20	.RING, Piston	1	
14	137-11633-00	.PIN, Piston	1	
15	4V2-11634-00	.CLIP, Piston Pin	2	
16	24X-11630-30	PISTON ASSY (3RD O/S)	1	
17	24X-11637-00	.PISTON (3RD O/S 0.75MM)	1	
18	5X4-11611-30	.RING, Piston	1	
19	137-11633-00	.PIN, Piston	1	
20	4V2-11634-00	.CLIP, Piston Pin	2	
21	24X-11630-40	PISTON ASSY (4TH O/S)	1	
22	24X-11638-00	.PISTON (4TH O/S 1.00MM)	1	
23	5X4-11611-40	.RING, Piston	1	
24	137-11633-00	.PIN, Piston	1	
25	4V2-11634-00	.CLIP, Piston Pin	2	
26	5X4-11650-01	CONNECTING ROD ASSY	1	
27	5X4-11651-01	.ROD, connectin	1	

FIG. 34 REPAIR KIT

REF. NO.	PART NO.	DESCRIPTION	Q'TY	REMARKS
28	3M5-11681-00	•PIN, crank 1	1	
29	90209-22071	•WASHER	2	
30	93310-522L3	•BEARING, cylindrical	1	
31	93310-216L2	•BEARING, cylindrical	1	

E5

INDEX

NUMERICAL INDEX

PART NO.	REF. NO.	PART NO.	REF. NO.	PART NO.	REF. NO.
5X4-W1132-00	1-17	24X-11636-00	34-12	24X-14101-00	8-26
5X4-W1133-00	1-20	24X-11637-00	3- 8	24X-14101-10	8- 1
23X-W1442-00	7-19		34-17	24X-14103-00	8- 2
24X-W2473-10	26- 1	24X-11638-00	3- 8		8-27
24X-11111-00	1- 1		34-22	23X-14104-00	8-11
24X-11181-00	1- 5	5X4-11650-01	34-26		8-36
5X4-1131A-00	1-16	5X4-11651-01	3- 4	24X-14106-00	8-12
24X-1131E-00	1-13		34-27		8-37
5X4-1131N-00	1-19	3M5-11681-00	3- 5	24X-14107-33	8-24
24X-11311-00	1- 6		34-28		8-49
24X-11351-00	1- 7	5X5-11911-01	2-19	5X8-14112-25	8-17
24X-11400-00	3- 1	5X5-11912-01	2-18		8-42
24X-11412-00	3- 2	5X4-11915-00	1-26	2K6-14115-00	8-21
5X4-11422-00	3- 3	5X4-11921-01	2-10		8-46
5X4-11611-00	3- 9	5X4-11922-00	2- 7	431-14131-00	8-16
	34- 3	5X4-11931-00	2- 1		8-41
5X4-11611-10	3- 9	5X5-11937-00	1-24	239-14141-50	8- 5
	34- 8	5X4-11952-00	2-14	239-14141-52	8-30
5X4-11611-20	3- 9	24X-11953-00	2-11	193-14142-60	8-44
	34-13	24X-11990-00	2- 3	193-14142-65	8-19
5X4-11611-30	3- 9	24X-11992-00	1-28	137-14143-54	8-29
	34-18	5X4-11995-00	1-31	137-14143-56	8- 4
5X4-11611-40	3- 9	24X-1240A-00	6- 5		8-29
	34-23	24X-12422-00	5- 8	137-14143-58	8- 4
24X-11630-00	34- 1	24X-12428-00	5- 9		8-29
24X-11630-10	34- 6	24X-12436-00	5- 1	137-14143-60	8- 4
24X-11630-20	34-11	24X-12450-00	5- 3	313-14146-00	8-15
24X-11630-30	34-16	24X-12459-00	5- 2		8-40
24X-11630-40	34-21	24X-12460-00	6- 1	483-14146-00	8- 6
24X-11631-00-95	3- 8	24X-12462-00	6- 2		8-31
		24X-12465-00	6-23	2K6-14147-00	8-20
24X-11631-00-94	3- 8	24X-12469-00	6-24		8-45
	34- 2	24X-12476-00	6-20	3R3-14153-00	8-22
137-11633-00	3-10	24X-12477-00	6-21		8-47
	34- 4	24X-1248A-00	6-22	310-14177-00	8-14
	34- 9	24X-12481-00	6- 6		8-39
	34-14	24X-12482-00	6- 7	483-14184-00	8-18
	34-19	24X-12483-00	6- 8		8-43
	34-24	24X-12484-00	6- 9	310-14185-00	8- 7
4V2-11634-00	3-11	24X-12485-00	6-19		8-32
	34- 5	353-13115-01	10- 9	537-14186-00	8-25
	34-10	24X-13565-00	7- 6		8-50
	34-15	3R3-13610-00	7- 1	310-14187-00	8-23
	34-20	3R3-13613-00	7- 2		8-48
	34-25	3R3-13616-00	7- 3	493-14196-00	8-10
24X-11635-00	3- 8	3R3-13621-00	7- 5		8-35
	34- 7	24X-1410A-00	8-13	310-14197-00	8-14
24X-11636-00	3- 8		8-38		8-39
				24X-14411-00	7-18
				24X-14412-00	7-31

NUMERICAL INDEX

PART NO.	REF. NO.	PART NO.	REF. NO.	PART NO.	REF. NO.
24X-1442G-00	7-30	24X-17131-03	14- 3	5X6-22147-01	20-18
24X-14425-00	7-28	5X4-17151-01	14- 2	24X-22151-00	20-10
24X-14426-00	7-29	5X4-17161-01	14- 4	24X-2217A-00	20-21
23X-14451-10	7-19	5X4-17211-01	14- 9	24X-2217F-00	20-31
24X-14453-00	7-12	5X4-17221-02	14-14	22W-22178-01	17- 2
22W-14457-00	7-16	5X4-17231-02	14-12	5X3-2218A-00	20-44
23X-14458-00	7-20	24X-17241-00	14-11	4V4-22184-00	17- 3
23X-14459-01	7-13	24X-17251-00	14-10	5X4-22199-00	20-15
23X-14462-00	7-14	24X-17261-00	14-13	24X-22210-00-6W	21- 1
4V2-14468-01	7-35	24X-17411-00	14- 1	23X-22211-00	21-30
24Y-14493-00	7-25	137-17417-00-05	12- 2	24X-22212-00-6W	21-23
24X-14610-00	9- 1	5X4-17421-00	14- 8	24X-22212-10-6W	33- 1
3R3-14613-00	9- 2	1G8-17461-10	14-29	24X-22212-20-6W	33- 1
24X-14753-00	9- 7	1G8-17461-30	14-29	23X-22213-00	21-17
24X-14771-00	9- 4	1W1-17461-20	14-29	23X-22214-00	21-24
24X-1490J-00	8- 3	3R4-17471-00	14-25	3R4-22221-01	21-16
	8-28	24X-18101-00	16- 1	23X-22223-00	21-25
24X-15111-00	10- 1	24X-18110-00	16- 2	3R4-22228-00	21-11
4V4-15118-00	10-15	3R3-18140-00	15- 2	24X-22261-00	21-37
24X-15121-00	10- 3	1W1-18177-00	15- 4	24X-22262-00	21-38
3R3-15128-01	10-13	5X4-18511-00	15- 5	24X-22401-00	21- 2
1G8-15362-00	11- 7	5X4-18512-00	15- 6	23X-22409-00	21-12
5X4-15379-01	10- 2	5X4-18513-00	15- 7	4L0-22472-00	21- 8
2K7-15383-00	14-27	3R4-18531-00	15- 9	3R4-22473-00	21- 7
24X-15411-00	11- 1	3R4-18535-00	15-10	3R4-22475-00	21- 6
5X4-15421-00	11-11	24X-18540-00	15- 1	23X-22489-00	21- 9
3R3-15431-00	11-14	24X-21110-00-33	17- 1	23X-22493-00	21-10
5X4-15451-00	11- 2	24X-21419-01	17- 6	5X3-22497-00	21-14
5X4-15455-00	11-12	5X6-21511-10	18- 1	24X-23102-M0	23- 1
5X4-15618-00	12-18	4V2-21543-01	18-10	24X-23102-N0	24- 1
5X4-15620-00	12-13	3R3-21611-11	18- 6	24X-23103-M0	23-31
3R3-15621-01	12-14	24X-21642-00	7-22	24X-23103-N0	24-31
3R3-15641-00	12- 5	24X-21652-00	20-45	24X-23110-L0	23- 9
3R3-15651-01	12- 1	24X-21691-00	20-46		23-39
248-15654-00	12- 7	24X-21711-10-98	19- 1		24- 9
5X4-15660-00	12- 4	24X-2172A-00	19-21		24-39
3R3-15666-00	12- 9	24X-21721-10-98	19- 8	24X-23111-L0	23-23
24X-16111-00	13- 1	24X-21731-00	19-17		23-53
24X-16150-00	13- 4	5X4-21737-10	19- 2		24-23
24X-16321-00	13- 7		19- 9		24-53
24X-16324-00	13- 6	24X-21741-00	19-19		23-12
24X-16351-00	13- 8	3R2-21782-00	19- 3		23-42
1W1-16356-01	13-18		19-10		24-12
353-16357-00	13-16	24X-22110-00	20- 1		24-42
1W1-16358-00	13-19	156-22127-00	20- 9	16E-23118-00	23-18
24X-16371-00	13- 5	2K6-22128-01	20- 7		23-48
3R3-16380-02	13-22	23X-22129-00	20-33	24X-23118-L0	24-18
5X4-17121-02	14- 5	5X4-22141-00	20-12		24-48
					33- 3

NUMERICAL INDEX

PART NO.	REF. NO.	PART NO.	REF. NO.	PART NO.	REF. NO.
90202-06010	25-21	90446-09079	6- 3	92501-06015	19- 5
90206-14067	21-19	90460-15227	6-11		19-13
90209-06187	18- 3	90460-27219	6-10	92501-06020	4- 7
90209-18135	14-19	90460-49058	7-10		11-17
90209-22071	3- 6	90460-64065	7-11		31- 6
	34-29	90462-05005	7- 9	92501-08010	10-14
90214-09019	17-12	90465-14192	29-15	92506-06008	11- 9
90215-14204	13-14	90467-09006	6- 4	92506-06020	5-13
90215-16127	14-31	90467-10008	25-20	92506-06025	11- 3
90240-06103	30- 6	90468-26048	12- 6		11-13
90240-08012	29-22	90480-15064	6-12	92506-06040	11- 4
90240-10101	30-14	90480-18354	25- 6	92506-06055	11- 5
90240-12090	12-17	90480-22263	21-39	92701-06012	14-28
90249-12008	30-10	90480-22269	9- 8	92901-04200	7-24
90250-06013	15- 8	90501-10245	30- 9		7-27
90267-40093	7-23	90501-12081	12-15		7-33
	7-26	90501-20361	13- 9	92901-05100	20-48
	7-32	90501-30742	2-13	92901-05200	7-21
	3-18	90504-03033	7-17		20-49
90280-03017	3-17	90506-16036	27- 8	92901-05600	2- 4
90282-05053	10-11		28- 8		4- 5
90340-12059	2-17	90506-20192	30- 4	92901-06100	7-39
90380-15104	20- 8	90507-20030	9- 3		9- 6
90380-16077	20- 3	90508-14426	13-23		18-12
90380-22111	25-12	90508-20583	30-16		19- 6
90387-06553	6-13	90508-26427	12-10		19-14
90387-072E7	9- 9	90508-26435	15- 3		23-63
90387-081A3	28-43	90508-29361	16- 7		24-63
90387-083F0	1-23	90560-08213	2-12		25- 8
90387-102F3	20-34	90560-11189	16- 6		26- 8
90387-121H1	21-36	90560-15227	27- 2		11-18
90387-126H8	21-31	90560-17231	28- 2	92901-06200	13-20
90387-127G8	20-24	90560-17232	13-12		30- 7
90387-147G6	20-25	91311-06016	29-16		4- 9
90387-147G7	2-16	91316-04006	2- 8	92901-06600	6-15
90387-152F2	27-20	91316-06035	10- 6		6-18
90387-15535	10- 4	91316-06040	10- 7		7- 8
90387-16781	14-30	91316-06050	10- 8		7-38
90387-202A0	13- 2	91401-20015	28-42		25- 9
90387-202F0	28-12		29-25		29-17
90387-210H8	20-11		30- 8		23-67
90387-440G3	11-10	91401-25020	30-15	92901-08100	24-67
90430-06016	1-15	91401-40020	12-19	92901-08200	17- 9
90430-06166	5-11	91810-03014	1-11	92901-08200	19-16
	10-12	91830-21014	10- 5		28-41
90430-12038	10-10		11- 6	92901-08600	4- 4
90445-08376	25- 4	92501-06010	10-16	92902-05100	8- 9
90445-09300	25-19	92501-06015	11-15		8-34

NUMERICAL INDEX

PART NO.	REF. NO.	PART NO.	REF. NO.	PART NO.	REF. NO.
92902-06700	18- 5	93399-99910	28-36	95601-05100	2- 5
	18- 9	93399-99911	21- 4		7-15
92906-05100	32- 8		21-13	95601-06100	18-14
	32-16	93410-17037	12-11		32- 6
	12-12	93410-20038	14- 7		32-14
93101-17062	27- 5	93410-22039	14-18	95611-10100	20-43
93102-20281	28- 5	93410-30012	12- 8	95801-06012	26- 5
93102-25044	3-16	93430-08006	5- 4	95801-06020	20-19
93102-25258	14-24	93430-10016	16- 8	95801-08012	30- 2
93102-26042	5- 5	93440-15012	12- 3	95802-08012	17- 5
93103-12119	3-15		14-16	95802-08045	20-16
93103-28126	2- 6	93440-30113	21- 3	95811-08095	17- 8
93104-08040	13-25		21-21	95811-08190	17-10
93104-14004	1-21	93440-51103	21-26	95821-08016	17- 7
93104-16074	21-22	93503-16010	13-17	95821-08035	22- 9
93104-18077	20- 4	93507-32009	12-16	95821-10040	22-10
93106-22019	20- 6	93521-64032	2-20	95826-06010	i-14
93108-35004	16- 4	93603-13185	2-23	95826-06020	5-12
93109-12012	20-23	93603-14179	2-21	97301-06012	7-36
93109-20029	28-37	93604-10011	5-10	97301-06016	9- 5
93112-19006	1-25	93604-16092	13-27		18- 8
93210-09192	11- 8	93604-21193	21-20		25- 7
93210-14104	28-44	93604-26132	21-15	97301-06020	7- 7
93210-14167	1-22	93608-25150	16- 5		18-11
93210-27244	28-25	93700-06004	20-27	97301-06030	6-14
93210-31114	2- 9		20-41	97301-06035	6-17
93300-60801	15-11	93700-06005	20-36	97302-06020	18- 4
93306-00106	27- 3	94113-183A3	28-15	97321-06012	14-26
93306-20203	27- 4	94130-213A4	27-15	97321-06016	26- 7
93306-20205	28- 3	94130-21732	27-15	97321-06025	16- 3
93306-20310	28- 4	94140-18735	28-15	97602-03108	7- 4
93306-20316	3-14	94227-21123	27-16	97801-06012	22-12
93306-20529	14-20	94237-18120	28-16	98501-04005	21- 5
93306-30303	14-23	94330-18087	28-17	98501-05010	20-47
93306-30411	3-13	94330-21084	27-17	98501-05016	8- 8
93306-30421	3-12	94416-21357	27-13		8-33
93310-216L2	34-31	94418-18355	28-13	98502-05030	4- 3
	3- 7	94580-49106	28-33	98506-04018	23-29
	34-30	94680-49001	28-34		23-59
	14-22	*	1-12		24-29
93311-31515	14-21		1-12		24-59
93311-41530	13-26	95301-06600	13-21	98506-04020	23-22
93315-21429	20-32	95301-06700	30-19		23-52
93315-31732	20-22	95301-08700	28-29		24-22
93317-32034	20-22	95311-06600	23-62		24-52
93317-32231	20- 2		24-62	98506-05010	1-27
	22- 2	95311-08600	1- 3	98506-05012	1-18
93332-00008	23-68		23-68	98506-05016	29-10
93332-00023					

NUMERICAL INDEX

PART NO.	REF. NO.	PART NO.	REF. NO.	PART NO.	REF. NO.
98506-05018	1-29				
	32- 7				
	32-15				
98506-05025	1-30				
98606-04012	29- 9				
98902-06018	25-13				

PARTS NAME INDEX

DESCRIPTION	REF. NO.
AIR SCREW SET	8-11
*	8-36
AIR VALVE COMP.	23-24
*	23-54
*	24-24
*	24-54
ARM, float	8-23
*	8-48
ARM, relay	20-21
AXLE, drive	14- 8
AXLE, main	14- 1
AXLE, wheel	27-19
*	28-30
BALL	2-20
*	12-16
*	13-17
BAND	17-13
*	23-20
*	23-21
*	23-50
*	23-51
*	24-20
*	24-21
*	24-50
*	24-51
*	31- 2
BAND, rim (3.00-18)	28-17
BAND, rim (3.00-21)	27-17
BAND, switch cord	19- 7
*	19-15
*	31- 3
*	31- 4
*	32-18
BAND, tank fitting 1	25-14
BAR, shift fork guide 1	15- 9
BAR, shift fork guide 2	15-10
BAR, tension	28-35
BEARING	15-11
*	21- 4
*	21-13
*	22- 2
*	22- 3
*	28-36
BEARING (B0060)	2- 9
BEARING (B6202)	27- 4
BEARING (B6202RS)	27- 3
BEARING (B6203)	28- 4
BEARING (B6203RS)	28- 3

PARTS NAME INDEX

DESCRIPTION	REF. NO.
BEARING (B6205C4)	3-14
BEARING (B6303Z)	14-20
BEARING (B6304)	14-23
BEARING (B6304C3)	3-13
BEARING, cylindrical	3- 7
*	3-12
*	13-26
*	14-21
*	14-22
*	20- 2
*	20- 2
*	20-22
*	20-32
*	34-30
*	34-31
BODY, caP	25- 2
BOLT	2- 8
*	6-14
*	6-17
*	7- 7
*	7-36
*	9- 5
*	9-11
*	10- 6
*	10- 7
*	10- 8
*	14-26
*	16- 3
*	18- 4
*	18- 8
*	18-11
*	20-26
*	20-35
*	20-40
*	21-27
*	21-32
*	23-65
*	24-65
*	25- 7
*	26- 7
*	27-11
*	28-11
*	28-20
*	28-28
*	28-39
*	29-16
*	29-20
*	30-18
*	32- 5

PARTS NAME INDEX

DESCRIPTION	REF. NO.
BOLT	32-13
BOLT, caP	23-23
*	23-53
*	24-23
*	24-53
BOLT, flange	1-14
*	5-12
*	17- 5
*	17- 7
*	17- 8
*	17-10
*	20-16
*	20-19
*	22- 9
*	22-10
*	26- 5
*	30- 2
BOLT, stoPper	15- 4
BOLT, stud	1- 2
*	1- 8
*	1- 9
BOLT, with hole	28-38
BOLT, with washer	25-10
BOOT	23-19
*	23-49
*	24-19
*	24-49
BOSS, clutch	13- 5
BOSS, kick crank	12-14
BOSS, lever	1-24
BRACKET, engine 2	17- 6
BRACKET, seat	26- 4
BRAKE SHOE COMP.	28- 7
BUMP, stoP	21-10
BUSH	17- 3
BUSH, solid	2-17
*	20- 3
*	20- 8
C.D.I. UNIT ASSY	31- 1
CABLE ADJUST SCREW SET	8-12
*	8-37
CABLE, brake	29-13
CABLE, clutch	29-18
CABLE, throttle 1	29-11
CAMSHAFT	27- 9
*	28- 9
CAP, case	21- 8
CAP, cleaner case 1	7-31

PARTS NAME INDEX

DESCRIPTION	REF. NO.
CAP, grip lower	29- 7
CAP, grip upper	29- 6
CAP, radiator	6- 2
CAP, rubber	29-12
CAP, wire	29- 8
CARBURETOR ASSY 1	8- 1
*	8-26
CASE, air cleaner 1	7-18
CHAIN	28-33
CIRCLIP	5- 4
*	12- 3
*	12- 8
*	12-11
*	14- 7
*	14-16
*	14-18
*	16- 8
*	21- 3
*	21-21
*	21-26
CLAMP	7- 9
*	29-15
CLAMP, hose	6-10
*	6-11
*	7-10
*	7-11
CLIP	6- 4
*	12- 6
*	25-20
CLIP, Piston Pin	3-11
*	34- 5
*	34-10
*	34-15
*	34-20
*	34-25
COIL, charge	4- 2
COLLAR	1-23
*	2-16
*	6-13
*	9- 9
*	10- 4
*	13- 2
*	14-30
*	20-11
*	20-24
*	20-25
*	20-34
*	21-31

PARTS NAME INDEX

DESCRIPTION	REF. NO.
COLLAR	21-36
*	25-12
*	27-20
*	28-12
*	28-43
COLLAR, wheel	28-23
CONNECTING ROD ASSY	34-26
CONNECTOR, suction Pipe	10- 9
COVER	21-16
*	21-30
COVER, ball race 2	22- 4
COVER, crankcase 1	11- 1
COVER, crankcase 2	11-11
COVER, crankcase 3	11-14
COVER, dust seal	23- 8
*	23-38
*	24- 8
*	24-38
COVER, handle lever 1	29-14
*	29-19
COVER, housing	5- 8
COVER, hub dust	27-21
COVER, kick lever	12-18
COVER, Plate	28-24
COVER, seat	26- 2
COVER, side 1	19- 1
COVER, side 2	19- 8
COVER, side 3	19-17
COVER, side 4	19-19
COVER, thrust 1	20- 7
COVER, thrust 2	20-33
CRANK 1	3- 2
CRANK 2	3- 3
CRANKCASE 1	10- 1
CRANKCASE 2	10- 3
CRANKSHAFT ASSY	3- 1
CROWN, handle	22- 6
CYLINDER COMP., front fork	23-13
*	23-43
*	24-13
*	24-43
CYLINDER 1	1- 6
DAMPER SUB ASSY	21- 2
DAMPER 1	7-28
DAMPER 2	7-29
DAMPER 3	7-30
DAMPER, locatin& 1	19-11
*	25-23

PARTS NAME INDEX

DESCRIPTION	REF. NO.
DAMPER, locatin& 1	25-24
DAMPER, radiator	6-23
DAMPER, seat	26- 6
DAMPER, sub tank	21-37
ELEMENT, air cleaner	7-19
*	7-19
EMBLEM	19- 2
*	19- 9
*	22-14
EMBLEM 2	19- 3
*	19-10
EMBLEM, rear arm	20-44
EXHAUST PIPE ASSY 1	9- 1
FENDER, front	18- 1
FENDER, rear	18- 6
FLAP	20-46
FLOAT	8- 7
*	8-32
FOOTREST 1	30-12
FOOTREST 2	30-13
FORK, Governor	2- 7
FORK, shift 1	15- 5
FORK, shift 2	15- 6
FORK, shift 3	15- 7
FRAME COMP	17- 1
FRONT FORK ASSY (L.H)	23- 1
*	24- 1
FRONT FORK ASSY (R.H)	23-31
*	24-31
FUEL COCK ASSY 1	25-15
FUEL TANK COMP.	25- 1
GASKET	1-15
*	5-11
*	10-12
*	11-10
*	23-12
*	23-26
*	23-42
*	23-56
*	24-12
*	24-26
*	24-42
*	24-56
*	25-16
GASKET 1	11-12
GASKET, cap	25- 3
GASKET, crankcase cover	11- 2

PARTS NAME INDEX

DESCRIPTION	REF. NO.
GASKET, cylinder	1- 7
GASKET, cylinder head 1	1- 5
GASKET, drain Plug	23-30
*	23-60
*	24-30
*	24-60
GASKET, exhaust Pipe	9- 2
GASKET, float chamber	8-18
*	8-43
GASKET, holder	1-19
GASKET, housing cover 2	5- 9
GASKET, valve seat	7- 5
GAUGE, air	17-17
GEAR, drive	5- 1
GEAR, Governor	2-11
GEAR, imPeller shaft	5- 2
GEAR, kick (25T)	12- 5
GEAR, Primary drive	13- 1
GEAR, sProcket idle (25T)	12- 1
GEAR, 1st wheel (32T)	14- 9
GEAR, 2nd Pinion	14- 5
GEAR, 2nd wheel	14-14
GEAR, 3rd Pinion	14- 3
GEAR, 3rd wheel	14-12
GEAR, 4th wheel	14-11
GEAR, 5th Pinion (19T)	14- 2
GEAR, 5th wheel	14-10
GEAR, 6th Pinion (20T)	14- 4
GEAR, 6th wheel	14-13
GRAPIC SET	25-25
GRIP (L.H)	29- 2
GRIP (R.H)	29- 3
GROMMET	6-12
*	9- 8
*	21-39
*	25- 6
*	29- 5
GUARD, flap	7-22
GUIDE	7-20
GUIDE, cable	22- 1
GUIDE, sPring 1	21-24
HANDLEBAR	29- 1
HEAD, cylinder 1	1- 1
HOLDER	10-13
*	10-15
HOLDER 1	1-13
*	1-17
HOLDER 2	1-20

PARTS NAME INDEX

DESCRIPTION	REF. NO.
HOLDER, axle	23-61
*	24-61
HOLDER, damPer	25- 5
HOLDER, Guide	7-13
HOLDER, handle uPper	22- 8
HOLDER, kick gear	12- 7
HOLDER, lever lower 1	32- 2
*	32-10
HOLDER, lever 1	32- 1
HOLDER, lever 2	32- 9
HOLDER, sub tank	21-38
HOSE	6- 3
*	10-10
*	25- 4
*	25-19
HOUSING 2	1-28
HOUSING, seal ring	21- 7
HUB, front	27- 1
HUB, rear	28- 1
IGNITION COIL ASSY	31- 5
IMPELLER SHAFT ASSY	5- 3
INNER TUBE COMP.1	23- 9
*	23-39
*	24- 9
*	24-39
JET, main (#270)	8-29
JET, main (#280)	8- 4
*	8-29
JET, main (#290)	8- 4
*	8-29
JET, main (#300)	8- 4
JET, Pilot (#60.0)	8-44
JET, Pilot (#65.0)	8-19
JOINT 1	6-24
JOINT, air cleaner 1	7-12
JOINT, cable	29-24
JOINT, carburetor	7- 6
JOINT, chain	28-34
KEY, straight	3-17
KEY, woodruff	3-18
KICK AXLE ASSY	12- 4
KICK CRANK ASSY	12-13
LEVER	2- 1
LEVER 1	32- 3
LEVER 2	32-11
LEVER, camshaft	28-10
LEVER, camshaft 1	27-10
METAL, slide 1	23- 3

PARTS NAME INDEX

DESCRIPTION	REF. NO.
METAL, slide 1	23-33
*	24- 3
*	24-33
NEEDLE SET	8- 3
*	8-28
NEEDLE VALVE SET	8-24
*	8-49
NIPPLE, grease	20-27
*	20-36
*	20-41
NOZZLE, main	8- 5
*	8-30
NUT	1- 3
*	1-10
*	2- 2
*	4-10
*	12-20
*	13- 3
*	13-15
*	13-21
*	14-32
*	20-13
*	21-18
*	22- 5
*	22- 7
*	23-62
*	23-68
*	24-62
*	24-68
*	24-68
*	28-29
*	29-21
*	30-19
NUT, adjusting	21-14
NUT, self-locking	17-11
*	20-17
*	20-30
*	20-39
*	21-28
*	21-35
*	28-21
*	28-32
*	28-40
NUT, u	2- 5
*	7-15
*	18-14
*	20-43
*	32- 6

PARTS NAME INDEX

DESCRIPTION	REF. NO.
NUT, u	32-14
NUT, wing	30-11
O-RING	1-22
*	1-25
*	8-20
*	8-45
*	11- 8
*	23-25
*	23-55
*	24-25
*	24-55
*	25-17
*	28-25
*	28-44
OIL SEAL	1-21
*	2- 6
*	3-15
*	3-16
*	5- 5
*	12-12
*	13-25
*	14-24
*	16- 4
*	20- 4
*	20- 6
*	20-23
*	21-22
*	23- 4
*	23-34
*	24- 4
*	24-34
*	27- 5
*	28- 5
*	28-37
PAD, seat	26- 3
PANEL 1	19-21
PEDAL, brake	30- 1
PIN	30-10
PIN, clevis	12-17
*	29-22
*	30- 6
*	30-14
PIN, cotter	12-19
*	28-42
*	29-25
*	30- 8
*	30-15
PIN, crank 1	3- 5

PARTS NAME INDEX

DESCRIPTION	REF. NO.
PIN, crank 1	34-28
PIN, dowel	1-11
*	2-21
*	2-23
*	5-10
*	10- 5
*	11- 6
*	13-27
*	16- 5
*	21-15
*	21-20
PIN, float	8-25
*	8-50
PIN, piston	3-10
*	34- 4
*	34- 9
*	34-14
*	34-19
*	34-24
PIN, straight	15- 8
PIPE	8-10
*	8-14
*	8-35
*	8-39
PIPE 1	6- 6
PIPE 2	6- 7
PIPE 3	6- 8
PIPE 4	6- 9
PIPE 5	6-19
PIPE 6	6-20
PIPE 7	6-21
PIPE 8	6-22
PISTON (STD)	3- 8
*	3- 8
*	34- 2
PISTON (1ST O/S 0.25MM)	3- 8
*	34- 7
PISTON (2ND O/S 0.50MM)	3- 8
*	34-12
PISTON (3RD O/S 0.75MM)	3- 8
*	34-17
PISTON (4TH O/S 1.00MM)	3- 8
*	34-22
PISTON ASSY (STD)	34- 1
PISTON ASSY (1ST O/S)	34- 6
PISTON ASSY (2ND O/S)	34-11
PISTON ASSY (3RD O/S)	34-16
PISTON ASSY (4TH O/S)	34-21
PISTON, front fork	23-10

PARTS NAME INDEX

DESCRIPTION	REF. NO.
PISTON, front fork	23-40
*	24-10
*	24-40
PLATE	2-14
*	8- 6
*	8-15
*	8-31
*	8-40
PLATE 1	18-10
PLATE, bearing cover	14-27
PLATE, brake shoe	27- 6
*	28- 6
PLATE, clutch 1	13- 6
PLATE, cover	14-25
PLATE, element fitting	7-35
PLATE, friction	13- 7
PLATE, number	22-11
PLATE, pressure 1	13- 8
PLATE, push	13-19
PLATE, thrust 1	1-26
PLUG CAP ASSY	31- 7
*	31- 7
PLUG, drain	23-28
*	23-58
*	24-28
*	24-58
PLUG, oil level	11- 7
PLUG, screw	8-21
*	8-46
PLUG, spark (CHAMPION N-84)	1-12
PLUG, spark (CHAMPION QN-84)	1-12
PLUG, straight screw	10-11
PRIMARY DRIVEN GEAR COMP.	13- 4
PROTECTOR	20-45
PROTECTOR, chain	20-18
PULLER, chain 1	28-26
PULLER, chain 2	28-27
PULLER, rotor	17-15
PUSH LEVER ASSY	13-22
PUSH ROD ASSY	2- 3
RADIATOR ASSY	6- 1
RADIATOR ASSY 2	6- 5
REAR ARM COMP.	20- 1
REED VALVE ASSY	7- 1
REED, valve	7- 2
RETAINER	2-19
RETAINER, weight	2-18
RIM (1.60-21)	27-13

PARTS NAME INDEX

DESCRIPTION	REF. NO.
RIM (1.85-18)	28-13
RING, Piston	3- 9
*	3- 9
*	3- 9
*	3- 9
*	3- 9
*	23-15
*	23-45
*	24-15
*	24-45
*	34- 3
*	34- 8
*	34-13
*	34-18
*	34-23
RING, snAP	23- 6
*	23-36
*	24- 6
*	24-36
RIVET, blind	7-23
*	7-26
*	7-32
ROD, brake	30- 5
ROD, connectinG	3- 4
*	34-27
ROD, connectinG 1	20-31
ROD, Push	21- 9
ROD, Push 1	13-18
ROD, Push 2	13-16
ROD, starter lever	8-14
*	8-39
ROTOR ASSY	4- 6
SCREW	25-22
SCREW, bind	25-13
SCREW, flat head	14-28
SCREW, lever fitting	25-18
SCREW, oval head	29- 9
SCREW, Pan head	1-18
*	1-27
*	1-29
*	1-30
*	4- 3
*	4- 7
*	5-13
*	8- 8
*	8-33
*	10-14
*	10-16

PARTS NAME INDEX

DESCRIPTION	REF. NO.
SCREW, Pan head	11- 3
*	11- 4
*	11- 5
*	11- 9
*	11-13
*	11-15
*	11-17
*	19- 5
*	19-13
*	20-47
*	21- 5
*	22-12
*	23-22
*	23-29
*	23-52
*	23-59
*	24-22
*	24-29
*	24-52
*	24-59
*	29-10
*	31- 6
*	32- 7
*	32-15
*	7- 4
SCREW, Pan head with washer	13-10
SCREW, with washer	19-18
*	19-20
*	19-22
SEAL	7-14
*	7-16
SEAL, camshaft	27-12
SEAL, crankcase	10- 2
SEAL, dust	21- 6
*	23- 7
*	23-37
*	24- 7
*	24-37
SEAL, guard	20-10
SEAL, housing	1-31
SEAT, sPring lower	21-25
SEAT, sPring uPPer	21-17
*	23-17
*	23-47
*	24-17
*	24-47
SEMI-DOUBLE SEAT ASSY	26- 1
SHAFT, governor	2-10

PARTS NAME INDEX

DESCRIPTION	REF. NO.
SHAFT, Pivot	20-12
SHIFT CAM ASSY	15- 1
SHIFT PEDAL ASSY	16- 2
SHIFT SHAFT ASSY	16- 1
SHIM (0.3T)	20- 9
SHIM (0.5T)	12- 2
SHOCK ABSORBER ASSY, rear	21- 1
SILENCER, exhaust	9- 7
SPACER	2-12
*	12- 9
*	13-12
*	16- 6
*	27- 2
*	28- 2
SPACER (L=30)	33- 3
SPACER (L=30)	23-18
*	23-48
SPACER (L=70)	24-18
*	24-48
SPACER, bead	27-18
*	28-18
SPANNER, sPecial	17-16
SPINDLE, taPer	23-11
*	23-41
*	24-11
*	24-41
SPOKE SET, front	27-14
SPOKE SET, rear	28-14
SPRING	21-23
*	33- 1
*	33- 1
SPRING, comPression	2-13
*	7-17
*	12-15
*	13- 9
*	30- 9
SPRING, front fork (K=0.25)	24-16
*	24-46
SPRING, front fork (K=0.26)	23-16
*	23-46
SPRING, front fork (K=0.28)	33- 2
SPRING, rebound	23-14
*	23-44
*	24-14
*	24-44
SPRING, tension	9- 3
*	27- 8
*	28- 8
*	30- 4
SPRING, throttle valve	8-16

PARTS NAME INDEX

DESCRIPTION	REF. NO.
SPRING, throttle valve	8-41
SPRING, torsion	12-10
*	13-23
*	15- 3
*	16- 7
*	30-16
SPROCKET, drive (11T)	14-29
SPROCKET, drive (12T)	14-29
SPROCKET, drive (13T)	14-29
SPROCKET, driven (44T)	28-19
SPROCKET, driven (45T)	28-19
SPROCKET, driven (46T)	28-19
SPROCKET, driven (48T)	28-19
SPROCKET, driven (50T)	28-19
SPROCKET, driven (52T)	28-19
STAND, side	30-20
STARTER SET	8-13
*	8-38
STATOR ASSY	4- 1
STAY 1	7-25
STAY, muffler 1	9- 4
STOPPER LEVER ASSY	15- 2
STOPPER, reed valve	7- 3
SUPPDRT, bump stoP	21-11
SUPPDRT, chain	20-15
SWITCH, handle 1	32-17
TENSIONER	17- 2
THROTTLE SCREW SET	8- 2
*	8-27
TIRE	28-15
TIRE (3.00-21)	27-15
*	27-15
TIRE (4.00-18)	28-15
TOOL KIT	17-14
TUBE (2.75-21)	27-16
TUBE (3.75-18)	28-16
TUBE, outer 1	23- 2
*	24- 2
TUBE, outer 2	23-32
*	24-32
TUBE, throttle Guide	29- 4
UNDER BRACKET COMP.	23-64
UPPER BRACKET SUB ASSY	24-64
UPPER BRACKET SUB ASSY	21-12
VALVE COMP.	23-27
*	23-57
*	24-27
*	24-57
VALVE 1	1-16

PARTS NAME INDEX

DESCRIPTION	REF. NO.
VALVE, throttle 1	8-17
*	8-42
WASHER	3- 6
*	14-19
*	18- 3
*	18- 5
*	18- 9
*	34-29
WASHER, claw	17-12
WASHER, lock	13-14
*	14-31
WASHER, main Jet	8-22
*	8-47
WASHER, oil seal	23- 5
*	23-35
*	24- 5
*	24-35
WASHER, Plain	7-21
*	7-24
*	7-27
*	7-33
*	11-18
*	13-20
*	17- 9
*	19-16
*	20-49
*	30- 7
WASHER, Plate	1- 4
*	2- 4
*	2-15
*	2-22
*	2-22
*	2-22
*	4- 5
*	4- 9
*	5- 6
*	5- 7
*	6-15
*	6-16
*	6-18
*	7- 8
*	7-34
*	7-38
*	9-10
*	11-16
*	13-11
*	13-13
*	13-24

PARTS NAME INDEX

DESCRIPTION	REF. NO.
WASHER, Plate	14- 6
*	14-17
*	17- 4
*	18- 2
*	18- 7
*	18-13
*	19- 4
*	19-12
*	20- 5
*	20-14
*	20-20
*	20-28
*	20-29
*	20-37
*	20-38
*	20-42
*	21-29
*	21-33
*	21-34
*	22-13
*	23-66
*	24-66
*	25- 9
*	25-11
*	25-21
*	26- 9
*	28-22
*	28-31
*	28-41
*	29-17
*	29-23
*	30- 3
*	30-17
*	32- 4
*	32-12
WASHER, Plate (1.0T)	14-15
WASHER, sPring	4- 4
*	4- 8
*	7-37
*	8- 9
*	8-34
*	9- 6
*	18-12
*	19- 6
*	19-14
*	20-48
*	23-63
*	23-67
*	24-63
*	24-67

PARTS NAME INDEX

DESCRIPTION	REF. NO.
WASHER, sPrinG	25- 8
*	26- 8
*	32- 8
*	32-16
WASHER, wave	21-19
WIRE, earth lead	31- 8