



# **YAMAHA**

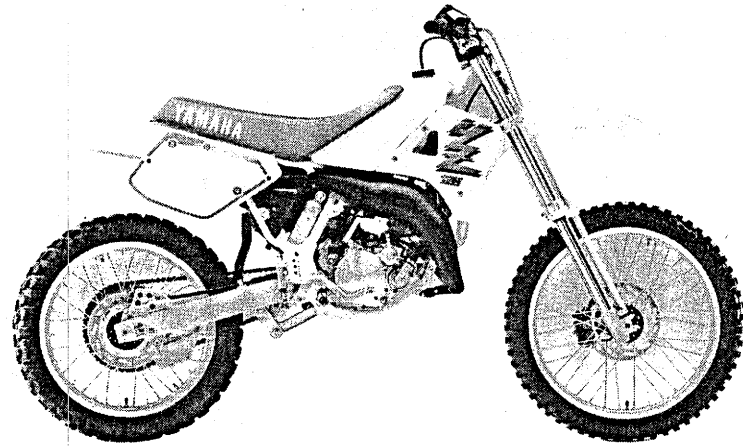
## **PARTS CATALOGUE**

### **YZ125W (3JD1)**

**U.S.A., CANADA, OCEANIA,  
S.AFRICA, OTHERS**

**93JD-100E1**

**A2**



A3

# FOREWORD

This Parts Catalogue is related to the parts in use for the Yamaha YZ125W(3JD1).  
When you are ordering replacement parts for the YZ125W(3JD1), refer to this Parts Catalogue and quote both part numbers and part names correctly.

1. Modifications or additions which have been made after issue of the Parts Catalogue will be announced in the Yamaha Parts News.  
It is advisable that according to the Yamaha Parts News you make necessary corrections to the Parts Catalogue on hand to keep it up-to-date.

## 2. Abbreviations

The following abbreviations are used in this Parts Catalogue.

- U.R. Use size (thickness) and/or number as required.
- U.N. Use as many as you need.
- A.P. Alternate Parts
- L.M. Local Made
- F# Frame No. (Applicable machine No.)

3. The parts marked with (\*) in the parts number column of this Catalogue are not supplied with by Yamaha, those have to be found locally.
4. Parts, which are to be supplied in the form of assemblies, are listed with an indentation of one letter's space, and a dot ( . ) is put against the name of each part.

**EXAMPLE** CARBURETOR ASS'Y  
     . JET, pilot  
     . NOZZLE, main

## 5. Indication of No. of constituent parts for assembly

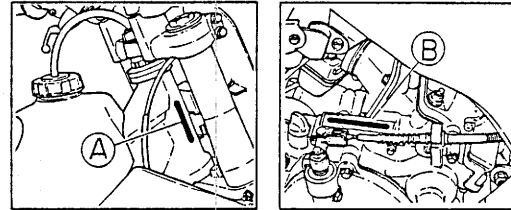
The numeral appearing to the right of each constituent part under the description indicates the quantity of such parts for each individual assembly unit.

**EXAMPLE**

Part No.	Description	Q'ty	Remarks
2F5-83310-60	FRONT FLASHER LIGHT ASS'Y	2	
115-83311-60	. BULB (6V-18W)	1	
1M1-83309-60	. REFLECTOR	1	

## 6. Initial Serial No. and Color Code

(A) Frame Serial No.	3JD-000101 and following
(B) Engine Serial No.	3JD-000101 and following



Color Code	Color Name	Abbreviate
36	CLEAN WHITE	W

7. Applicable colors of graphics are represented in the "Remarks" column by the letter(s) appropriately picked out of the full word(s) showing such colors.

**EXAMPLE**

Part No.	Description	Q'ty	Remarks
2N4-24110-00-X5	FUEL TANK COMP.	1	MAXIM RED
3J1-24240-10	. GRAPHIC, fuel tank set	1	for MXR

# CONTENTS

## ENGINE

Cylinder Head .....	B2 ~ B3
Governor .....	B4
Crankshaft. Piston .....	B5
Water Pump .....	B6
Radiator. Hose .....	B7
Intake .....	B8
Carburetor .....	B9 ~ B10
Exhaust .....	B11
Crankcase .....	B12
Crankcase Cover 1 .....	B13
Starter .....	B14
Clutch .....	B15 ~ C2
Transmission .....	C3 ~ C4
Shift Cam. Fork .....	C5
Shift Shaft .....	C6

## CHASSIS

Frame .....	C7 ~ C8
Fender .....	C9
Side Cover .....	C10 ~ C11
Rear Arm .....	C12 ~ C13
Rear Suspension .....	C14
Steering .....	C15
Front Fork .....	D2 ~ D4
Fuel Tank .....	D5
Seat .....	D6
Front Wheel .....	D7
Front Brake Caliper .....	D8
Rear Wheel .....	D9 ~ D10

Rear Brake Caliper .....	D11
Steering Handle. Cable .....	D12
Front Master Cylinder .....	D13
Stand. Footrest .....	D14
Rear Master Cylinder .....	D15
Generator .....	E2
Handle Switch. Lever .....	E3
Electrical 1 .....	E4

## ALTERNATE PARTS

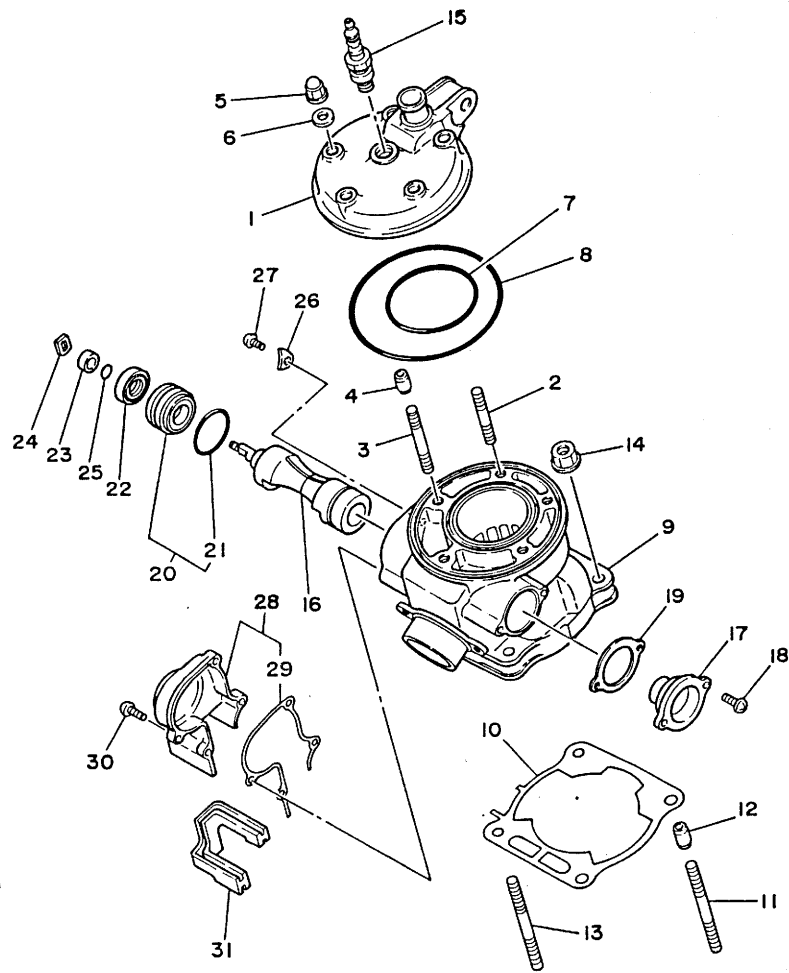
Alternate 1 (Chassis) .....	E5
-----------------------------	----

## REPAIR KIT

Repair Kit .....	E6
------------------	----

## INDEX

Numerical Index .....	M1 ~ M3
-----------------------	---------



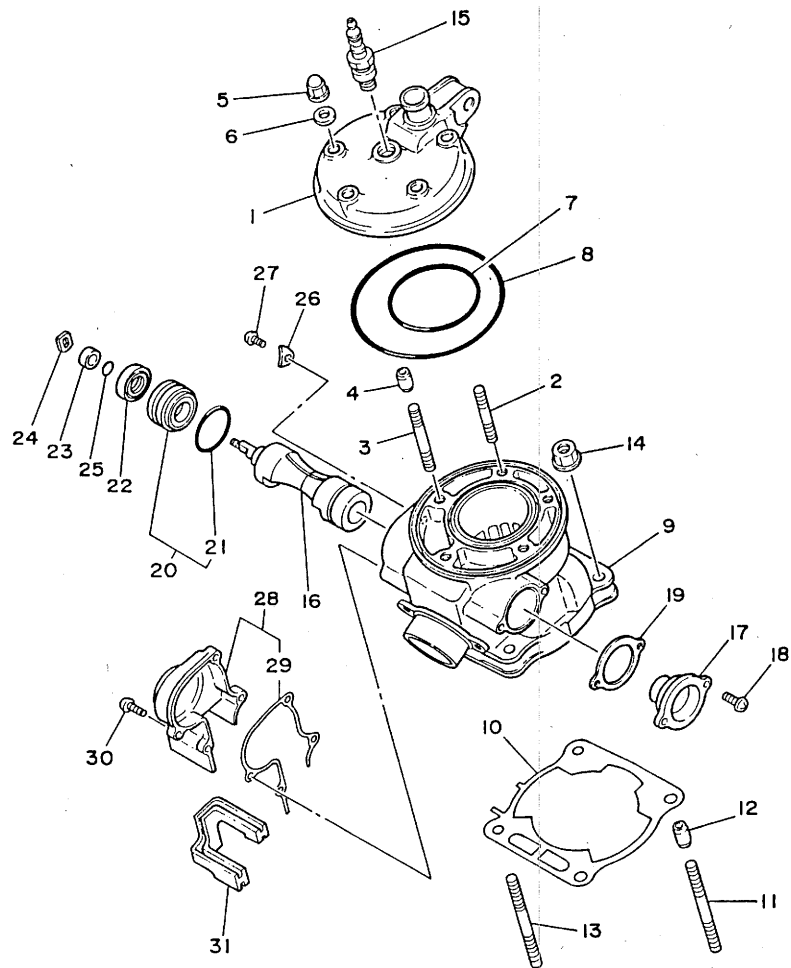
3JD1010-9010

FIG. 1 CYLINDER HEAD

REF. NO.	PART NO.	DESCRIPTION	Q'TY	REMARKS
1	2VN-11111-00	HEAD, cylinder 1	1	
2	90116-08394	BOLT, stud	3	
3	90116-08392	BOLT, stud	2	
4	99510-10114	PIN, dowel	2	
5	90176-08026	NUT, crown	5	
6	90201-08087	WASHER, plate	5	
7	93210-65721	O-RING	1	
8	93211-07720	O-RING	1	
9	3JD-11311-00	CYLINDER 1	1	
10	1LX-11351-00	GASKET, cylinder	1	
11	90116-08388	BOLT, stud	2	
12	99510-10114	PIN, dowel	2	
13	90116-08533	BOLT, stud	2	
14	90179-08491	NUT	4	
15	94702-00325	PLUG, spark (NGK B9EG)	1	UR
	94702-00324	PLUG, spark (NGK BR9EG)	1	UR FOR CANADA, S.AFRICA
16	3JD-1131A-00	VALVE 1	1	
17	39W-W1132-00	HOLDER 1	1	
18	98506-05012	SCREW, pan head	2	
19	5X4-1131N-00	GASKET, holder	1	
20	2VN-Y113F-00	HOLDER 2 ASSY	1	
21	93210-27244	O-RING	1	
22	93104-16074	OIL SEAL	1	
23	90387-102F3	COLLAR	1	
24	5X5-11937-00	BOSS, lever	1	
25	93210-09192	O-RING	1	
26	47X-11915-00	PLATE, thrust 1	1	
27	98506-05008	SCREW, pan head	1	

FIG. 1 CYLINDER HEAD

REF. NO.	PART NO.	DESCRIPTION	Q'TY	REMARKS
28	3JD-11992-00	HOUSING 2	1	
29	3JD-11993-00	.GASKET	1	
30	98506-05014	SCREW, pan head	4	
31	1LX-11995-01	SEAL, housing	1	



3JD1010-9010



3JD1010-9020

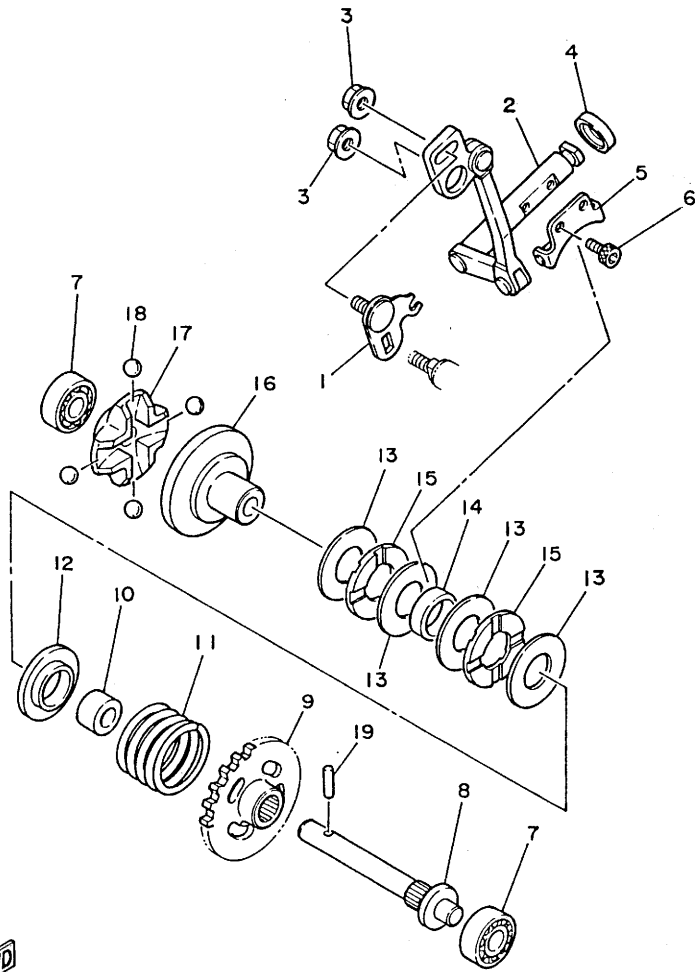
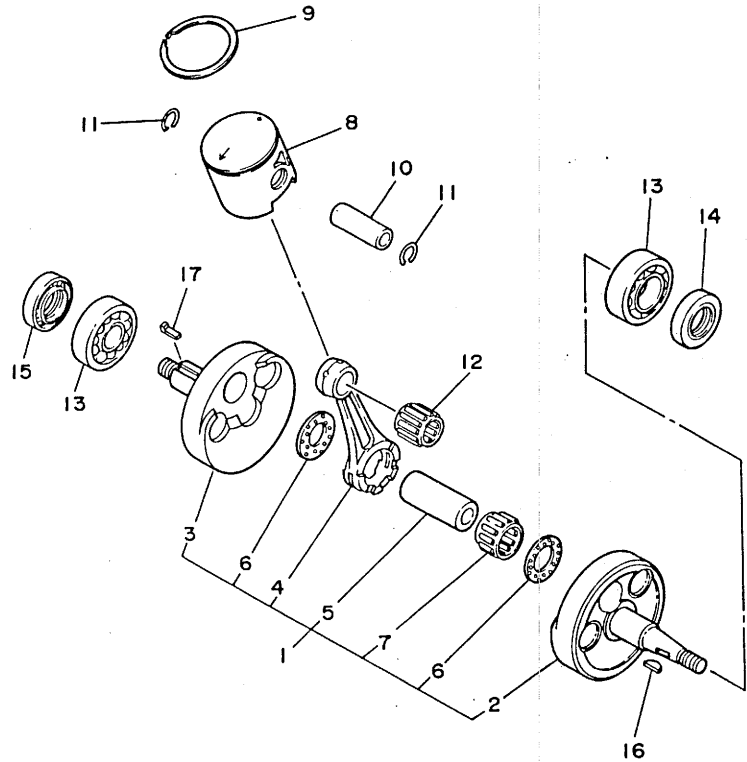


FIG. 2 GOVERNOR

REF. NO.	PART NO.	DESCRIPTION	Q'TY	REMARKS
1	1LX-11931-00	LEVER	1	
2	3JD-11990-00	PUSH ROD ASSY	1	
3	95601-05200	NUT, self-locking	2	
4	93104-08040	OIL SEAL	1	
5	5X4-11922-00	FORK, governor	1	
6	91316-04006	BOLT	2	
7	93300-60814	BEARING (608M4ML01)	2	NMB
8	5X4-11921-02	SHAFT, governor	1	
9	3JD-11953-00	GEAR, governor	1	
10	90560-08213	SPACER	1	
11	90501-240E7	SPRING, compression	1	
12	5X4-11952-00	PLATE	1	
13	90201-154E9	WASHER, plate	4	
14	90387-152F2	COLLAR	1	
15	90380-15104	BUSH, solid	2	
16	5X5-11912-01	RETAINER, weight	1	
17	5X5-11911-01	RETAINER	1	
18	93521-64032	BALL	4	
19	93603-14179	PIN, dowel	1	

FIG. 3 CRANKSHAFT. PISTON

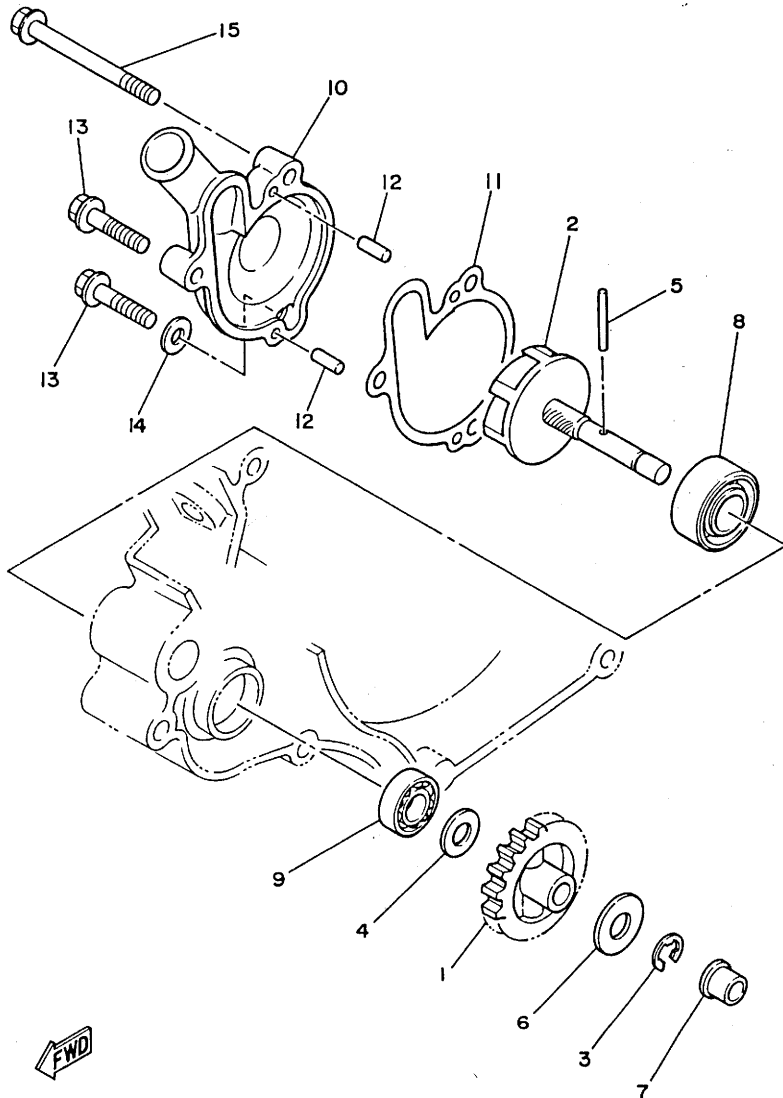


REF. NO.	PART NO.	DESCRIPTION	Q'TY	REMARKS
1	3JD-11400-00	CRANKSHAFT ASSY	1	
2	3JD-11412-00	.CRANK 1	1	
3	3JD-11422-00	.CRANK 2	1	
4	2HG-11651-00	.ROD, connecting	1	
5	3JD-11681-00	.PIN, crank 1	1	
6	90209-22257	.WASHER	2	
7	93310-522M4	.BEARING, cylindrical	1	
8	3JD-11631-00-94	PISTON (STD)	1	UR
	3JD-11631-00-95	PISTON (STD)	1	UR
9	5X4-11611-00	RING, piston (STD)	1	
10	137-11633-00	PIN, piston	1	
11	4V2-11634-00	CLIP, piston pin	2	
12	93310-216L2	BEARING, cylindrical	1	
13	93306-372D4	BEARING (63/22SH2-9TC4)	2	KOYO
14	93102-22363	OIL SEAL	1	
15	93103-32099	OIL SEAL	1	
16	90280-03045	KEY, woodruff	1	
17	90282-05038	KEY, straight	1	



3JD1010-9030



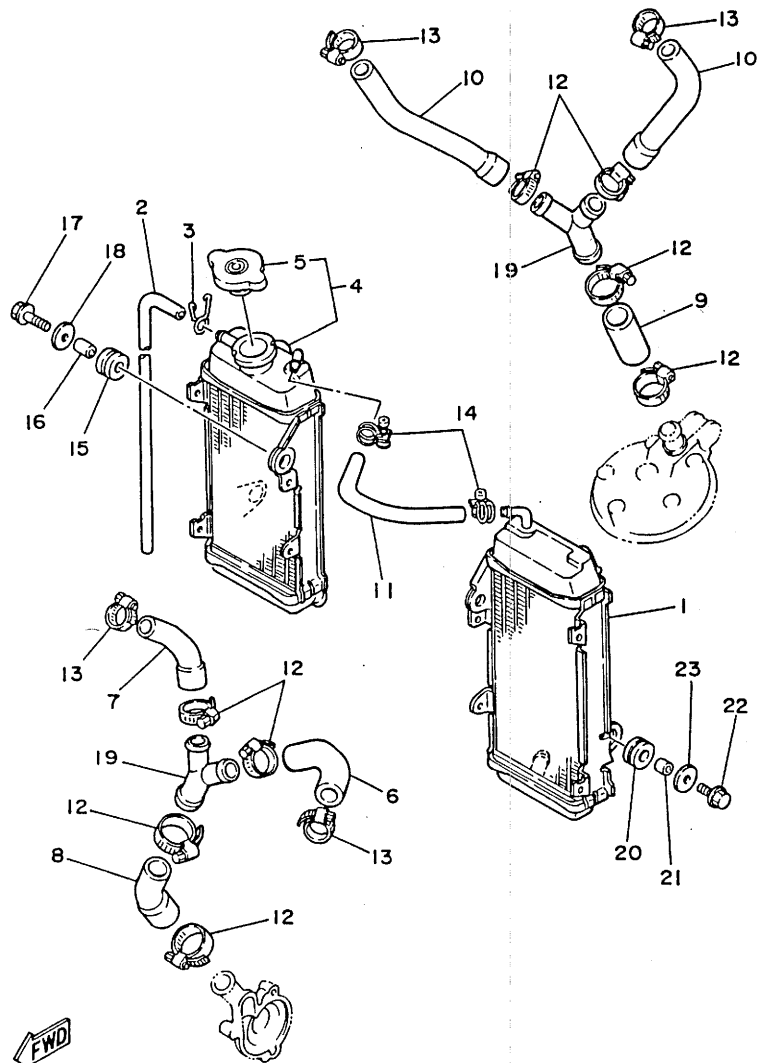


3JD1010-9040

FIG. 4 WATER PUMP

REF. NO.	PART NO.	DESCRIPTION	Q'TY	REMARKS
1	3JD-12459-00	GEAR, impeller shaft	1	
2	1LX-12450-00	IMPELLER SHAFT ASSY	1	
3	99001-07600	CIRCLIP	1	
4	90201-08512	WASHER, plate	1	
5	93603-22028	PIN, dowel	1	
6	90201-08784	WASHER, plate	1	
7	90381-08002	BUSH, solid	1	
8	93103-10147	OIL SEAL	1	
9	93300-60814	BEARING (608M4ML01)	1	NMB
10	2VN-12422-01	COVER, housing	1	
11	1LX-12428-00	GASKET, housing cover 2	1	
12	93604-10011	PIN, dowel	2	
13	95026-06025	BOLT, flange	2	
14	90430-06166	GASKET	1	
15	95026-06060	BOLT, flange	1	

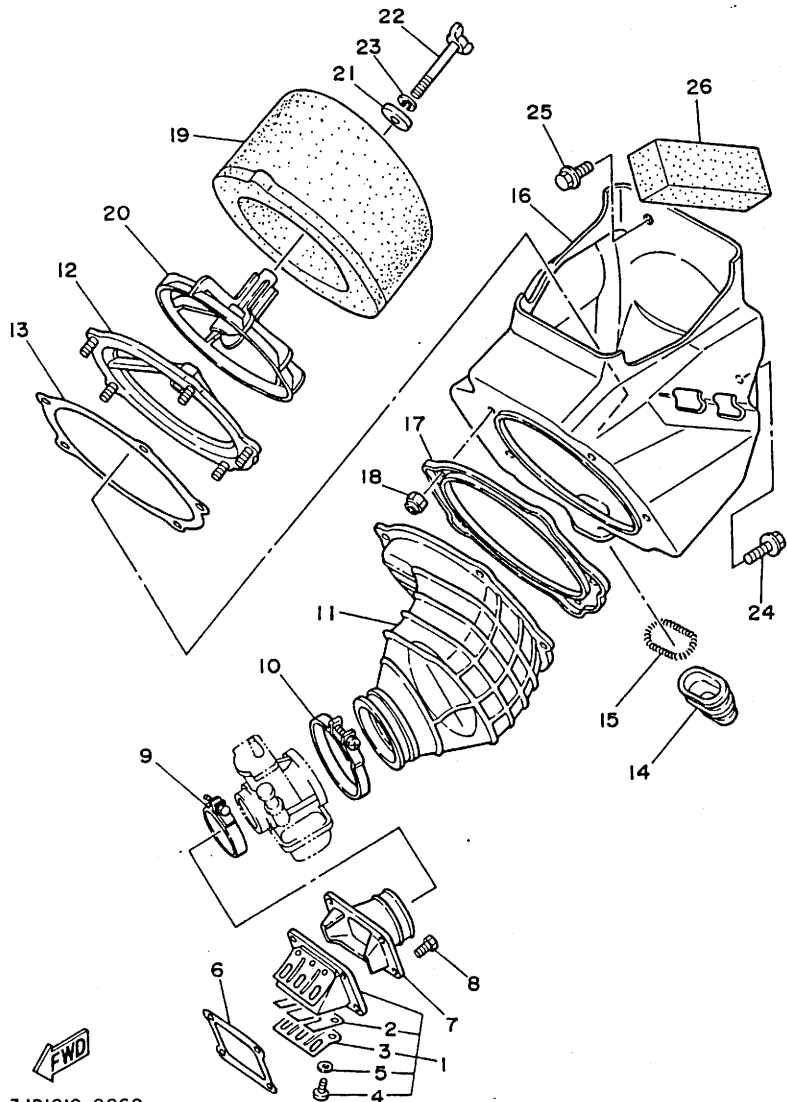
B6



3JD1010-9050

FIG. 5 RADIATOR. HOSE

REF. NO.	PART NO.	DESCRIPTION	Q'TY	REMARKS
1	3JD-1240A-00	RADIATOR ASSY 2	1	
2	90446-09013	HOSE	1	
3	90467-09006	CLIP	1	
4	1LX-1240A-00	RADIATOR ASSY 2	1	
5	22W-12462-00	.CAP, radiator	1	
6	3JD-12481-00	PIPE 1	1	
7	3JD-12482-00	PIPE 2	1	
8	3JD-12483-00	PIPE 3	1	
9	3JD-12485-00	PIPE 5	1	
10	3JD-12476-00	PIPE 6	2	
11	1LU-1248A-01	PIPE 8	1	
12	90450-28014	HOSE CLAMP ASSY	8	
13	90450-22017	HOSE CLAMP ASSY	4	
14	90450-15041	HOSE CLAMP ASSY	2	
15	90480-15064	GROMMET	2	
16	90387-07392	COLLAR	2	
17	95021-06030	BOLT, flange	2	
18	90201-06570	WASHER, plate	2	
19	24X-12469-00	JOINT 1	2	
20	90480-18276	GROMMET	2	
21	90387-07573	COLLAR	2	
22	95023-06020	BOLT, flange	2	
23	90201-06570	WASHER, plate	2	



3JD1010-9060

FIG. 6 INTAKE

REF. NO.	PART NO.	DESCRIPTION	Q'TY	REMARKS
1	2VN-13610-00	REED VALVE ASSY	1	
2	1RX-13613-00	.REED, valve	2	
3	2VN-13616-00	.STOPPER, reed valve	2	
4	98501-03008	.SCREW, pan head	6	
5	92990-03100	.WASHER, spring	6	
6	80L-13621-01	GASKET, valve seat	1	
7	3JD-13565-00	JOINT, carburetor	1	
8	95026-06020	BOLT, flange	4	
9	90460-51109	CLAMP, hose	1	
10	90460-68230	CLAMP, hose	1	
11	3JD-14453-00	JOINT, air cleaner 1	1	
12	3JD-14459-00	HOLDER, guide	1	
13	3JD-14462-00	SEAL	1	
14	39K-14457-00	SEAL	1	
15	90504-03033	SPRING, compression	1	
16	3JD-W1441-00	AIR CLEANER CASE COMP.	1	
17	3JD-14477-00	PLATE	1	
18	95601-05100	NUT, u	5	
19	3JD-14451-00	ELEMENT, air cleaner	1	
20	3JD-14458-00	GUIDE	1	
21	90209-06096	WASHER	1	
22	90122-06030	BOLT, wing	1	
23	92990-06100	WASHER, spring	1	
24	95023-06012	BOLT, flange	2	
25	90119-06185	BOLT, with washer	1	
26	3JD-14461-00	ELEMENT, air cleaner 2	1 AP	

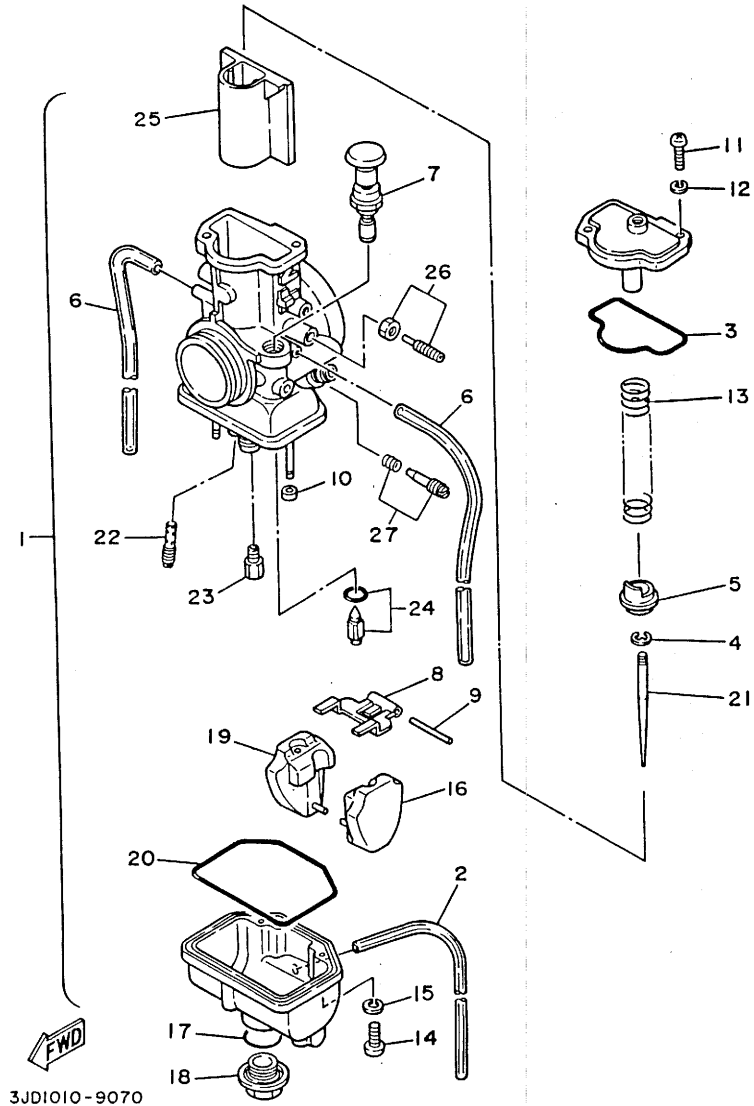
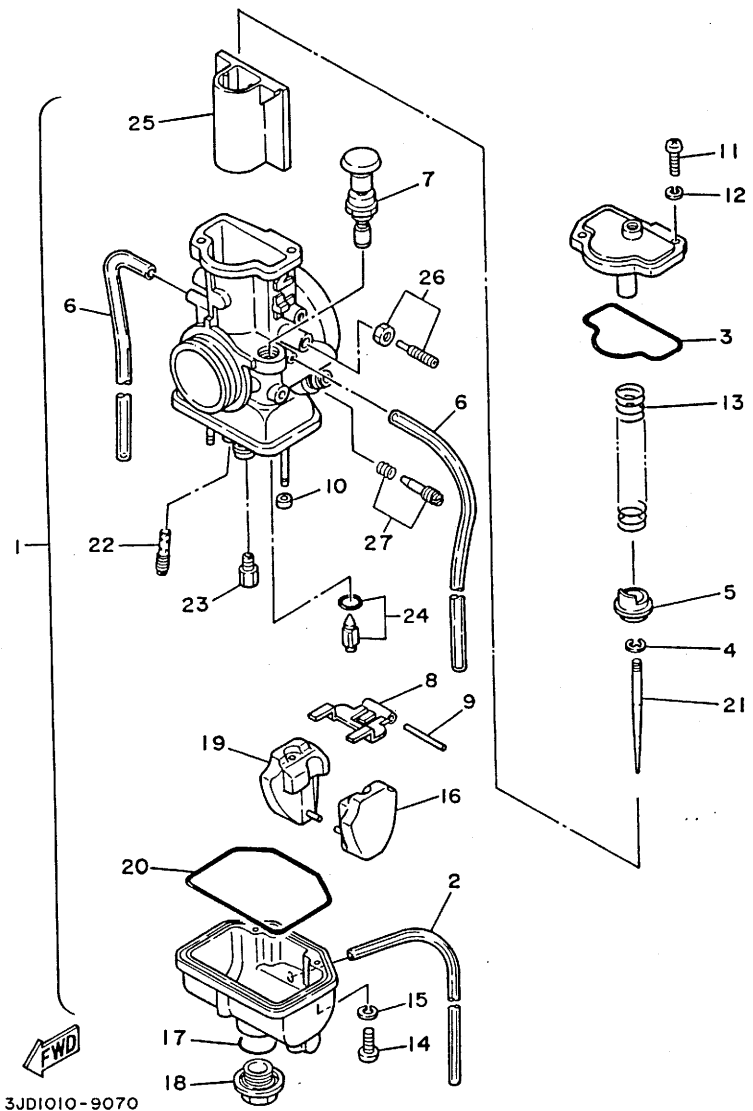


FIG. 7 CARBURETOR

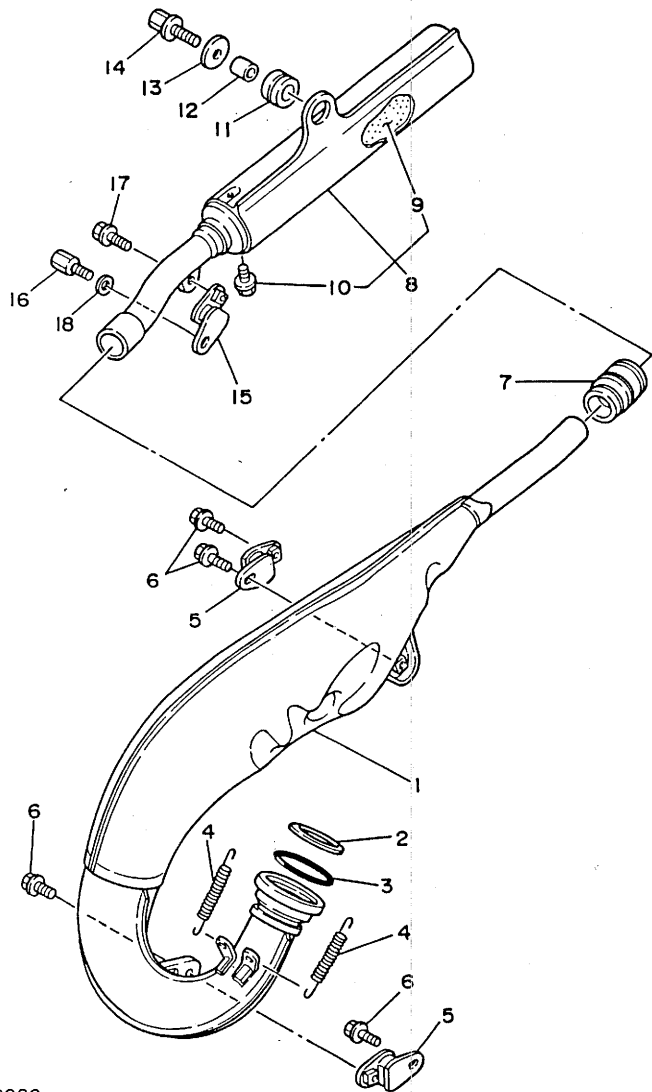
REF. NO.	PART NO.	DESCRIPTION	Q'TY	REMARKS
1	3JD-14101-00	CARBURETOR ASSY 1	1	
2	10V-14196-00	.PIPE	1	
3	3JD-14147-00	.O-RING	1	
4	256-14919-00	.CLIP	1	
5	3JD-14194-00	.RING	1	
6	2HH-14197-00	.PIPE	2	
7	3JE-14171-00	.PLUNGER, starter	1	
8	363-14187-00	.ARM, float	1	
9	353-14186-00	.PIN, float	1	
10	214-14118-00	.CAP	2	
11	98511-04012	.SCREW, pan head	2	
12	92902-04100	.WASHER, spring	2	
13	3JD-14131-00	.SPRING, throttle valve	1	
14	98501-03008	.SCREW, pan head	1	
15	92990-03100	.WASHER, spring	1	
16	3JD-14185-00	.FLOAT	1	
17	3JE-14561-00	.O-RING	1	
18	3JD-14115-00	.PLUG, screw	1	
19	3JE-14185-00	.FLOAT	1	
20	3JE-14147-00	.O-RING	1	
21	3JD-14116-A1	.NEEDLE (J8-6EN15-55)	1	STD
	3JD-14116-A2	.NEEDLE (J8-6EN15-53)	1	AP
	3JD-14116-A3	.NEEDLE (J8-6EN15-54)	1	AP
	3JD-14116-A4	.NEEDLE (J8-6EN15-56)	1	AP
	3JD-14116-A5	.NEEDLE (J8-6EN15-57)	1	AP
22	193-14142-20	.JET, pilot (#20)	1	STD
	193-14142-17	.JET, pilot (#17.5)	1	AP
	193-14142-25-A0	.JET, pilot (# 25)	1	AP



3JD1010-9070

FIG. 7 CARBURETOR

REF. NO.	PART NO.	DESCRIPTION	QTY	REMARKS
22	193-14142-30-A0	.JET, pilot (# 30)	1	AP
23	137-14143-56-A0	.JET, main (#280)	1	STD
	137-14143-52	.JET, main (#260)	1	AP
	137-14143-54	.JET, main (#270)	1	AP
	137-14143-58-A1	.JET, main (#290)	1	AP
	137-14143-60-A0	.JET, main (#300)	1	AP
24	3JD-14107-35	.NEEDLE VALVE SET	1	
25	3JD-14112-60	.VALVE, throttle (C.A 6.0)	1	STD
	3JD-14112-50	.VALVE, throttle (C.A 5.0)	1	AP
	3JD-14112-55	.VALVE, throttle (C.A 5.5)	1	AP
26	3JD-14103-00	.THROTTLE SCREW SET	1	
27	3JD-14104-00	.AIR SCREW SET	1	

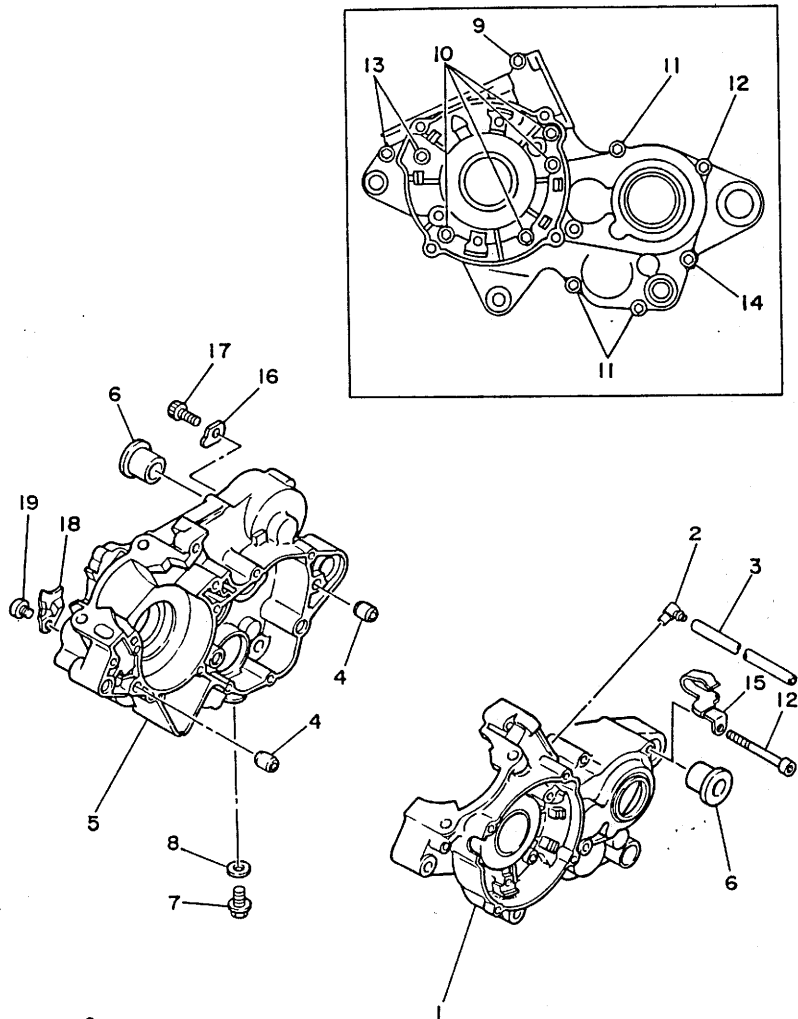


3JD1010-9080

FIG. 8 EXHAUST

REF. NO.	PART NO.	DESCRIPTION	Q'TY	REMARKS
1	3JD-14610-00	EXHAUST PIPE ASSY 1	1	
2	3R3-14613-00	GASKET, exhaust pipe	1	
3	93210-45742	O-RING	1	
4	90507-20030	SPRING, tension	2	
5	565-14771-00	STAY, muffler 1	2	
6	95023-06012	BOLT, flange	4	
7	3M7-14615-00	JOINT, exhaust 1	1	
8	3JD-14753-00	SILENCER, exhaust	1	
9	3JD-1469A-00	.FIBER	1	
10	95021-06008	.BOLT, flange	2	
11	39X-14747-00	DAMPER, muffler	1	
12	90387-081A3	COLLAR	1	
13	90201-08612	WASHER, plate	1	
14	90109-08512	BOLT	1	
15	565-14771-00	STAY, muffler 1	1	
16	90109-06551	BOLT	1	
17	95023-06012	BOLT, flange	1	
18	90201-063A5	WASHER, plate	1	

FIG. 9 CRANKCASE

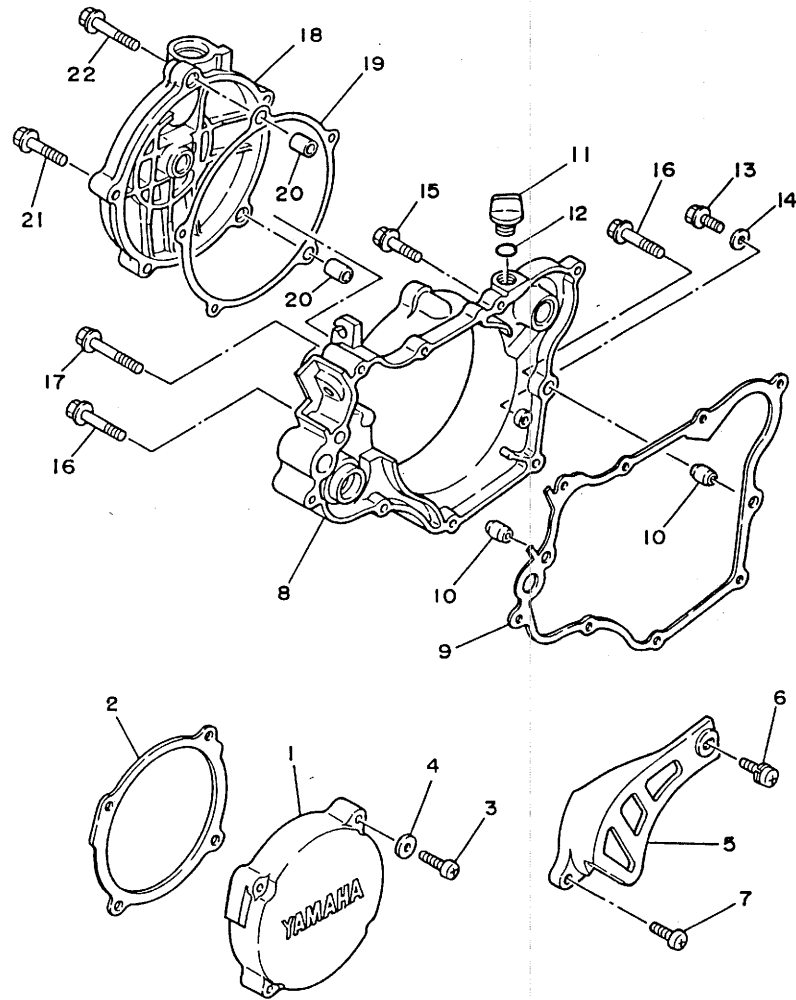


REF. NO.	PART NO.	DESCRIPTION	Q'TY	REMARKS
1	1LX-15111-11	CRANKCASE 1	1	
2	353-13115-01	CONNECTOR, suction pipe	1	
3	90445-08376	HOSE	1	
4	99510-12016	PIN, dowel	2	
5	1LX-15121-10	CRANKCASE 2	1	
6	90387-16781	COLLAR	2	
7	90340-12059	PLUG, straight screw	1	
8	90430-12038	GASKET	1	
9	91316-06035	BOLT	1	
10	91316-06045	BOLT	4	
11	91316-06055	BOLT	3	
12	91316-06070	BOLT	1	
13	91316-06060	BOLT	2	
14	91316-06065	BOLT	1	
15	90465-08336	CLAMP	1	
16	90209-06290	WASHER	1	
17	91316-05012	BOLT	1	
18	3R3-15128-01	HOLDER	1	
19	92501-08010	SCREW, pan head	1	



3JD1010-9090

FIG. 10 CRANKCASE COVER 1

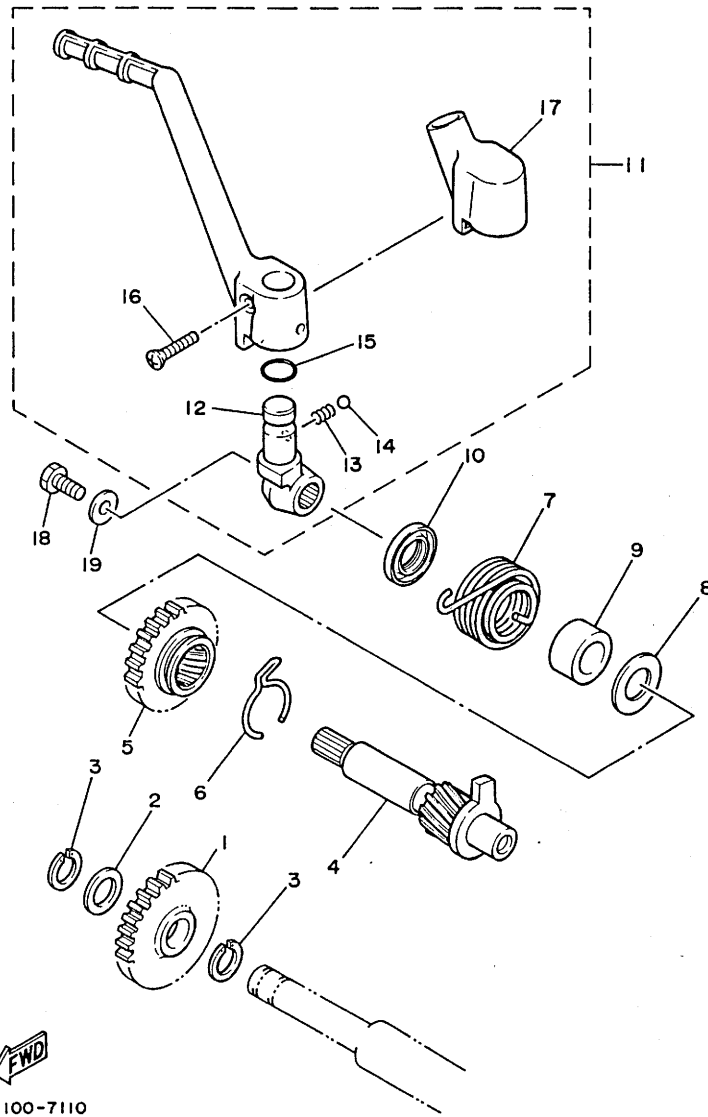


REF. NO.	PART NO.	DESCRIPTION	Q'TY	REMARKS
1	2VN-15411-00	COVER, crankcase 1	1	
2	1LX-15451-00	GASKET, crankcase cover 1	1	
3	92506-06035	SCREW, pan head	4	
4	92906-06600	WASHER, plate	4	
5	2VN-15421-01	COVER, crankcase 2	1	
6	90159-06084	SCREW, with washer	1	
7	92506-06016	SCREW, pan head	1	
8	3JD-Y1543-00	COVER, crankcase 3	1	
9	1LX-15462-00	GASKET, crankcase cover 3	1	
10	99530-10014	PIN, dowel	2	
11	1G8-15362-00	PLUG, oil level	1	
12	93210-14104	O-RING	1	
13	95026-06008	BOLT, flange	1	
14	90430-06016	GASKET	1	
15	95026-06025	BOLT, flange	6	
16	95026-06035	BOLT, flange	2	
17	95026-06045	BOLT, flange	1	
18	3JD-15415-00	COVER, generator	1	
19	3JD-15463-00	GASKET, carburetor cover 2	1	
20	99530-10014	PIN, dowel	2	
21	95026-06030	BOLT, flange	3	
22	95026-06040	BOLT, flange	2	

3JD1010-9100

B13

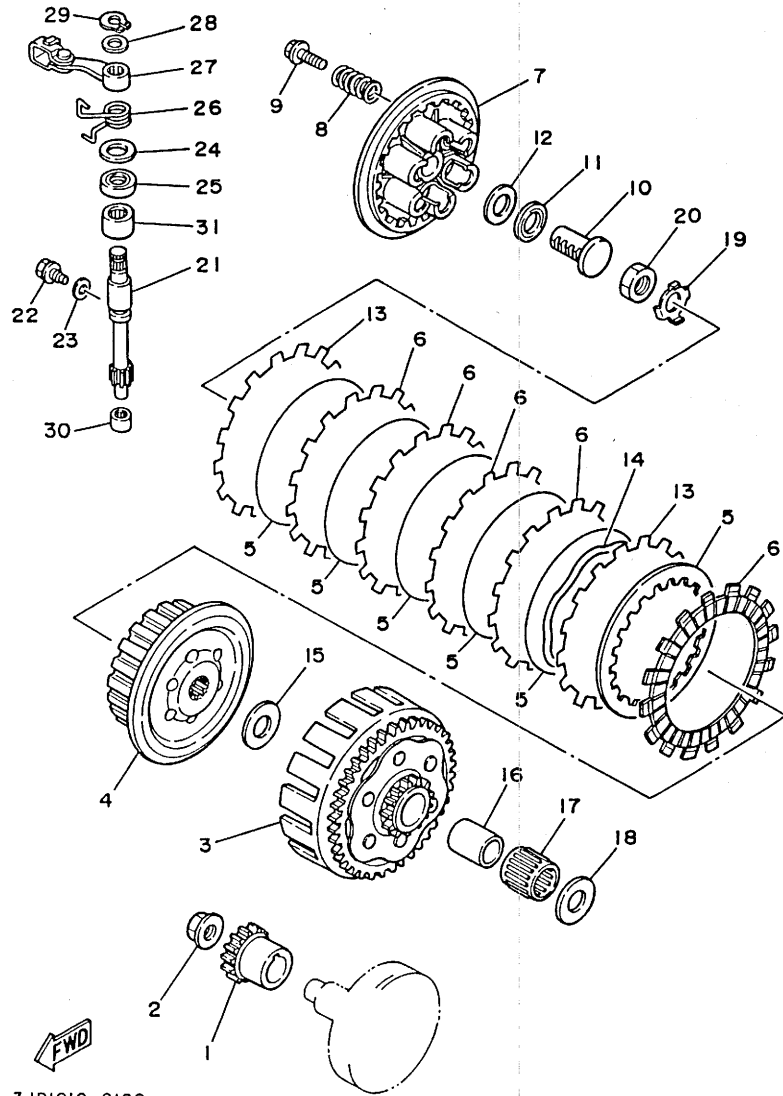




2HG100-7110

FIG. 11 STARTER

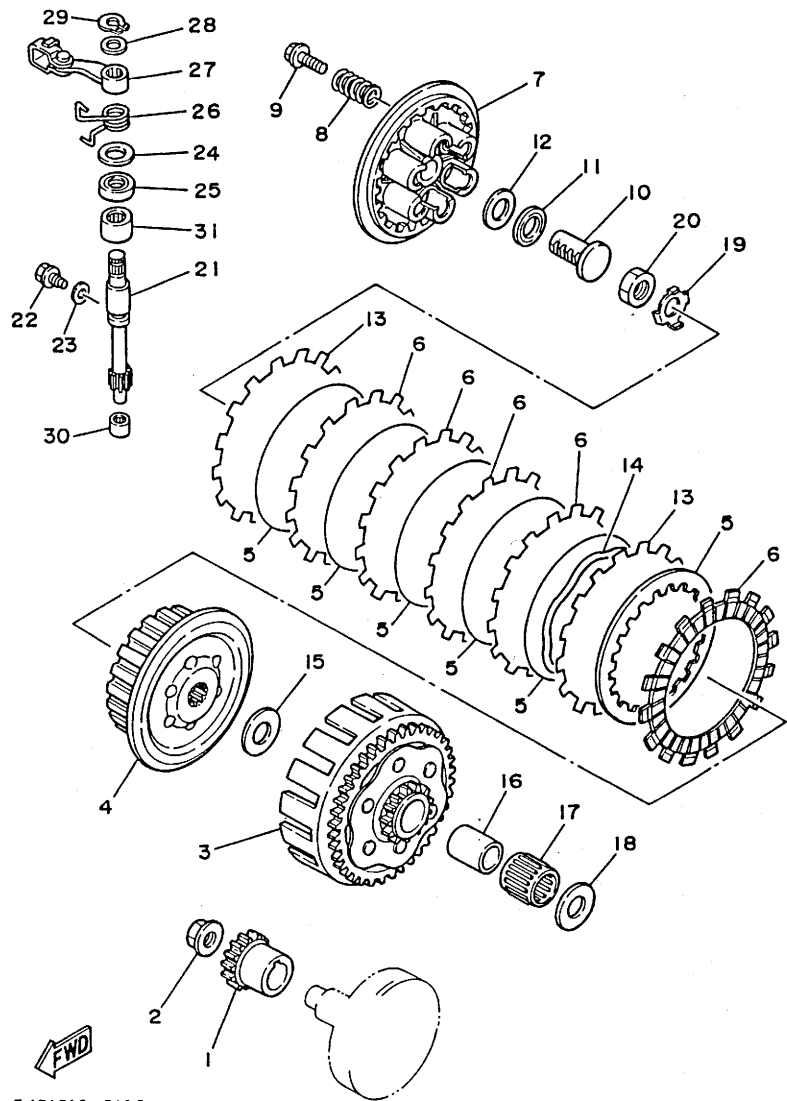
REF. NO.	PART NO.	DESCRIPTION	Q'TY	REMARKS
1	1LX-15651-00	GEAR, kick idle	1	
2	137-17417-00-05	SHIM 1 (0.5T)	1	
3	93440-15012	CIRCLIP	2	
4	1LX-15660-00	KICK AXLE ASSY	1	
5	1LX-15641-00	GEAR, kick	1	
6	90468-26048	CLIP	1	
7	90508-26700	SPRING, torsion	1	
8	90201-17164	WASHER, plate	1	
9	90560-17279	SPACER	1	
10	93102-17263	OIL SEAL	1	
11	1LX-15620-01	KICK CRANK ASSY	1	
12	1LX-15621-01	.BOSS, kick crank	1	
13	90501-12081	.SPRING, compression	1	
14	93507-32031	.BALL	1	
15	93210-15151	.O-RING	1	
16	90152-06010	.SCREW, countersunk	1	
17	1LX-15618-00	.COVER, kick lever	1	
18	97021-06012	BOLT	1	
19	90201-06060	WASHER, plate	1	



3JD1010-9120

FIG. 12 CLUTCH

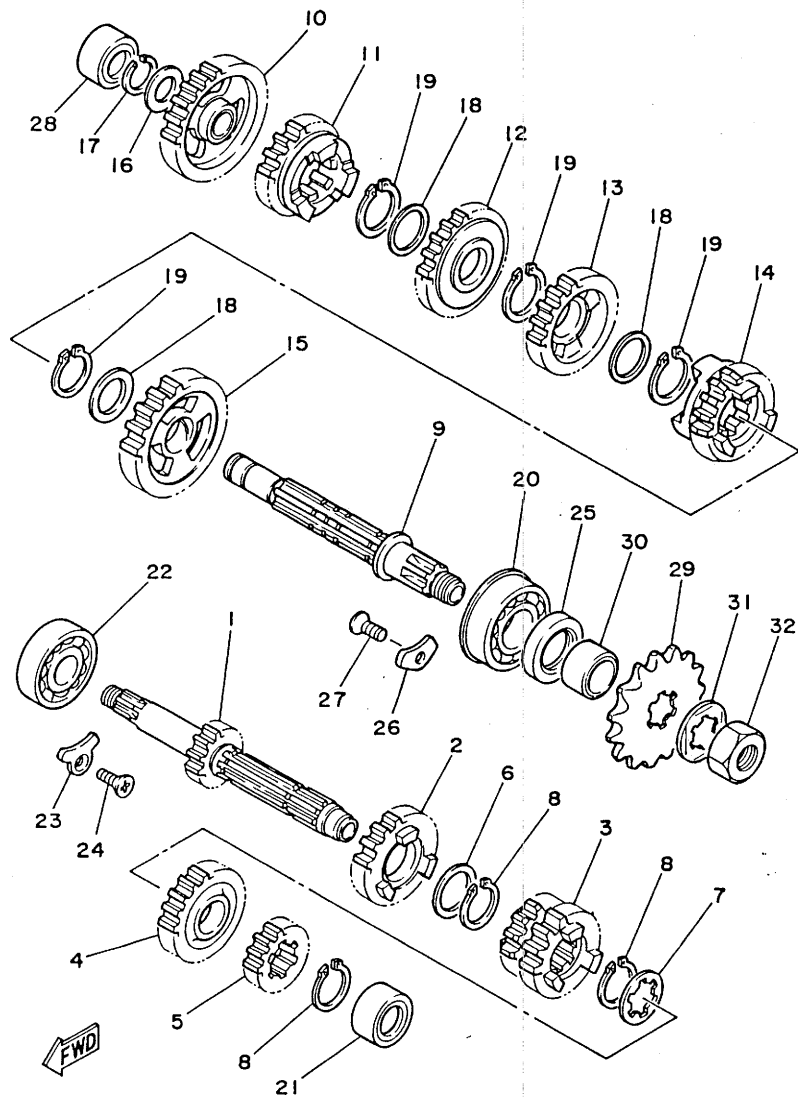
REF. NO.	PART NO.	DESCRIPTION	Q'TY	REMARKS
1	3JD-16111-00	GEAR, primary drive	1	
2	90179-12373	NUT	1	
3	3JD-16150-00	PRIMARY DRIVEN GEAR COMP.	1	
4	3JD-16371-00	BOSS, clutch	1	
5	24X-16324-00	PLATE, clutch 1	6	
6	3JD-16321-00	PLATE, friction	5	
7	3JD-16351-00	PLATE, pressure 1	1	
8	90501-210F3	SPRING, compression	6	
9	90159-06016	SCREW, with washer	6	
10	4H7-16356-01	ROD, push 1	1	
11	93340-21505	BEARING	1	
12	90201-150H2	WASHER, plate	1	
13	3JD-16331-00	PLATE, friction 2	2	
14	3JD-16383-00	SPRING, clutch boss	1	
15	90201-174F7	WASHER, plate	1	
16	90560-17335	SPACER	1	
17	93310-323T6	BEARING, cylindrical	1	
18	90201-174E1	WASHER, plate	1	
19	90215-14263	WASHER, lock	1	
20	90170-14171	NUT	1	
21	3JD-16382-00	AXLE, push lever	1	
22	90109-06418	BOLT	1	
23	90430-06014	GASKET	1	
24	90201-12474	WASHER, plate	1	
25	93102-15212	OIL SEAL	1	
26	90508-14767	SPRING, torsion	1	
27	3JD-16340-00	PUSH LEVER ASSY	1	
28	90201-10119	WASHER, plate	1	



3JD1010-9120

FIG. 12 CLUTCH

REF. NO.	PART NO.	DESCRIPTION	Q'TY	REMARKS
29	99009-10400	CIRCLIP	1	
30	93315-10838	BEARING, cylindrical	1	
31	93315-31502	BEARING, cylindrical	1	

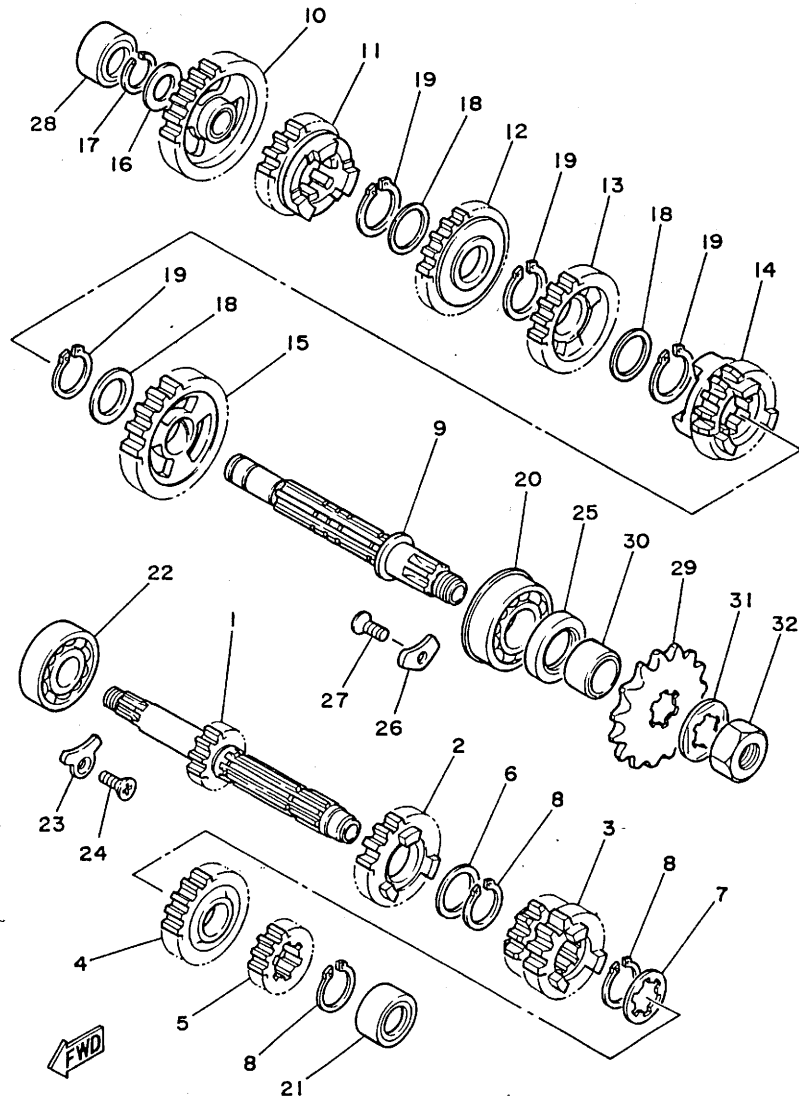


3JD1010-9130

FIG. 13 TRANSMISSION

REF. NO.	PART NO.	DESCRIPTION	Q'TY	REMARKS
1	3JD-17411-00	AXLE, main (13T)	1	
2	3JD-17151-00	GEAR, 5th pinion (20T)	1	
3	3JD-17131-00	GEAR, 3rd/4th pinion (17T/17T)	1	
4	3JD-17161-00	GEAR, 6th pinion (21T)	1	
5	3JD-17121-00	GEAR, 2nd pinion (15T)	1	
6	90201-22555	WASHER, plate	1	
7	90209-18135	WASHER	1	
8	93410-22039	CIRCLIP	3	
9	3JD-17421-00	AXLE, drive	1	
10	1LX-17211-00	GEAR, 1st wheel (30T)	1	
11	3JD-17251-00	GEAR, 5th wheel (23T)	1	
12	1LX-17231-00	GEAR, 3rd wheel (26T)	1	
13	1LX-17241-00	GEAR, 4th wheel (22T)	1	
14	3JD-17261-00	GEAR, 6th wheel (22T)	1	
15	1LX-17221-00	GEAR, 2nd wheel (28T)	1	
16	90201-15701	WASHER, plate (1.0T)	1	
17	93440-15012	CIRCLIP	1	
18	90201-22555	WASHER, plate	3	
19	93410-22039	CIRCLIP	4	
20	93306-30411	BEARING (B6304)	1	
21	93311-41530	BEARING, cylindrical	1	
22	93306-30309	BEARING (B6303ZZ)	1	
23	1LX-15383-00	PLATE, bearing cover	1	
24	92701-06012	SCREW, flat head	1	
25	93102-26042	OIL SEAL	1	
26	2K7-15383-00	PLATE, bearing cover	1	
27	92701-06012	SCREW, flat head	1	
28	93311-31567	BEARING, cylindrical	1	

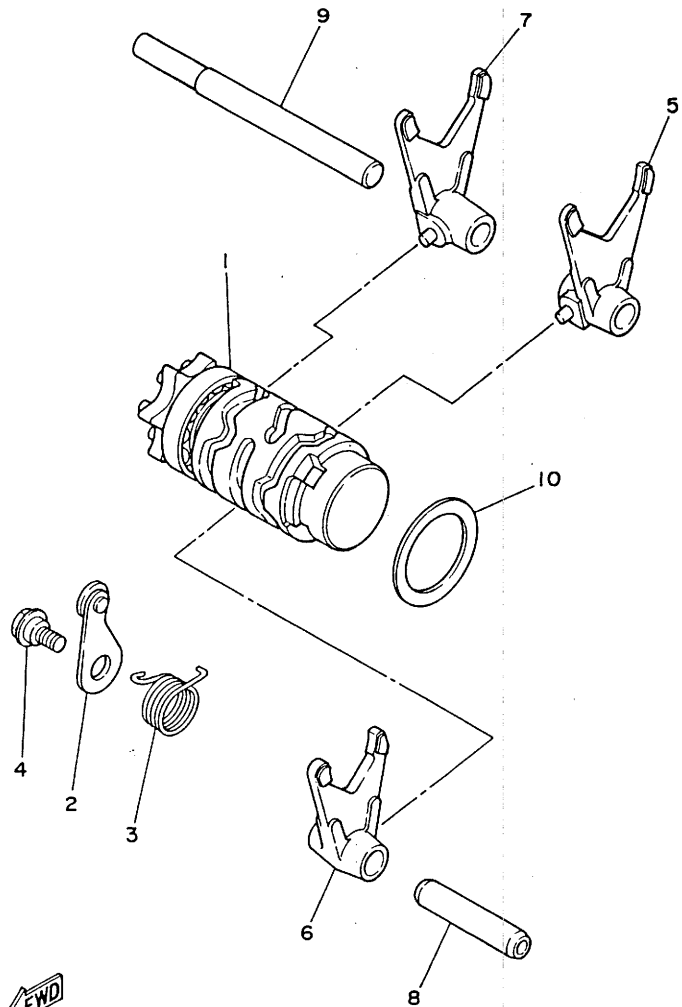
C3



3JD1010-9130

FIG. 13 TRANSMISSION

REF. NO.	PART NO.	DESCRIPTION	Q'TY	REMARKS
29	9383A-13031	SPROCKET, drive 13T (2HG1746130)	1	STD
	9383A-12017	SPROCKET, drive 12T (2HG1746120)	1	AP
	9383A-14054	SPROCKET, drive 14T (2HG1746140)	1	AP
30	90387-202A0	COLLAR	1	
31	90215-20261	WASHER, lock	1	
32	90179-16226	NUT	1	



3JD1010-9140

FIG. 14 SHIFT CAM. FORK

REF. NO.	PART NO.	DESCRIPTION	Q'TY	REMARKS
1	1LX-18540-00	SHIFT CAM ASSY	1	
2	3R4-18140-00	STOPPER LEVER ASSY	1	
3	90508-26731	SPRING, torsion	1	
4	50W-21631-00	BOLT 1	1	
5	3JD-18511-00	FORK, shift 1	1	
6	2VN-18512-01	FORK, shift 2	1	
7	1LX-18513-00	FORK, shift 3	1	
8	1LX-18531-00	BAR, shift fork guide 1	1	
9	1LX-18535-00	BAR, shift fork guide 2	1	
10	90201-34683	WASHER, plate	1	

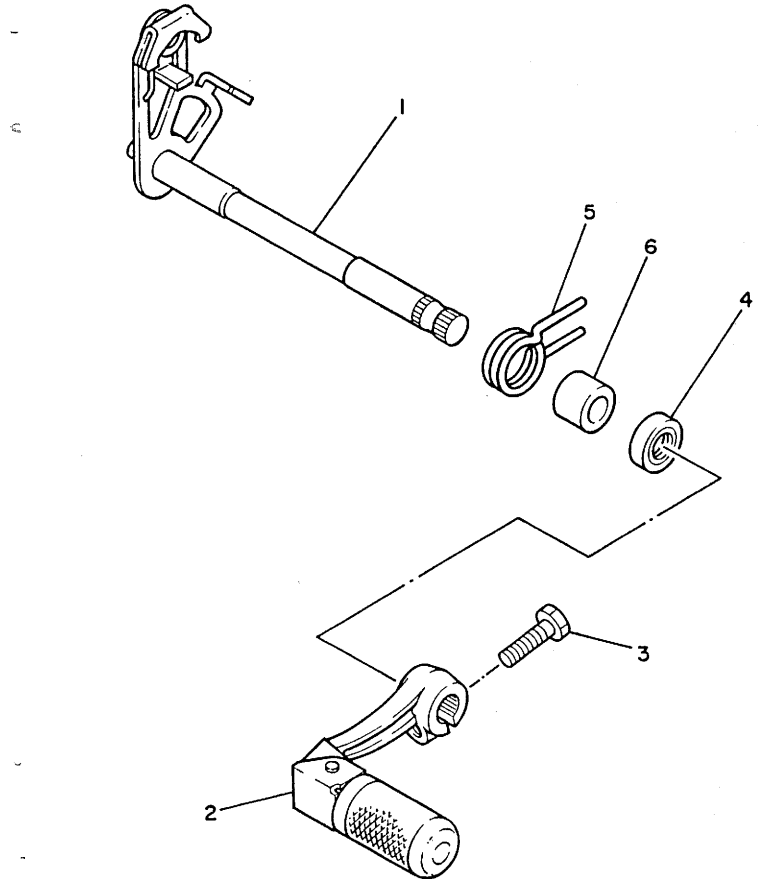


FIG. 15 SHIFT SHAFT

REF. NO.	PART NO.	DESCRIPTION	Q'TY	REMARKS
1	1LX-18101-01	SHIFT SHAFT ASSY	1	
2	1LX-18110-00	SHIFT PEDAL ASSY	1	
3	97021-06025	BOLT	1	
4	93109-12012	OIL SEAL	1	
5	90508-32535	SPRING, torsion	1	
6	90560-12280	SPACER	1	



1LX010-6150

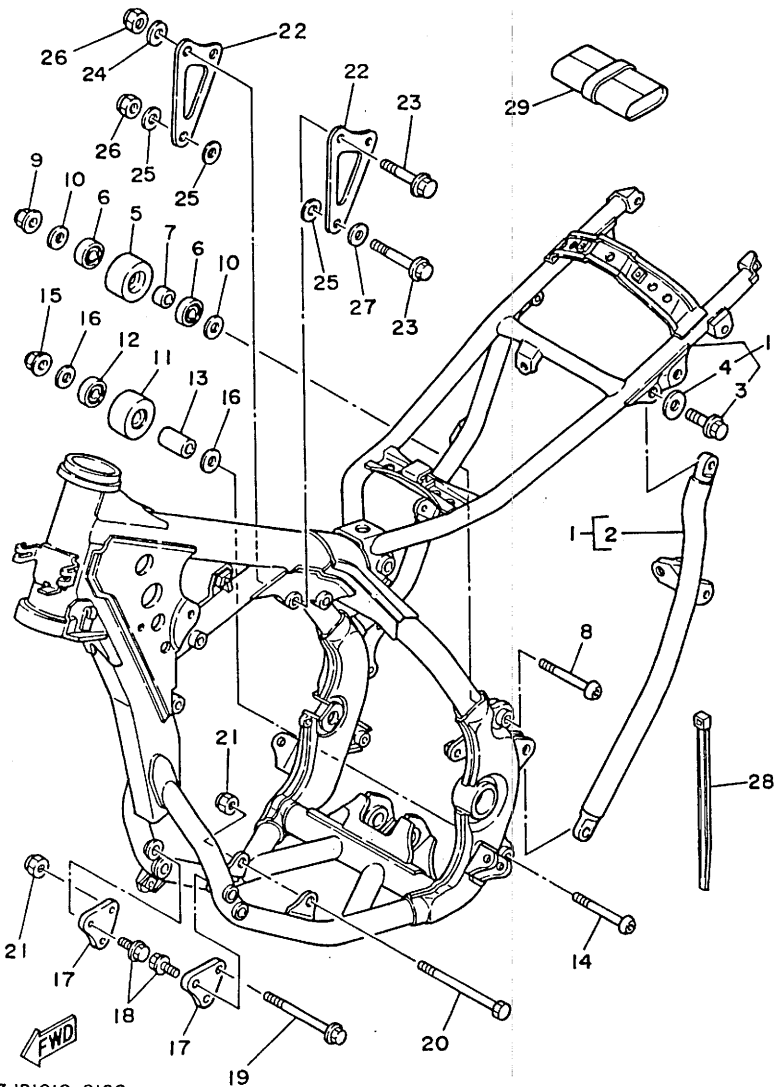
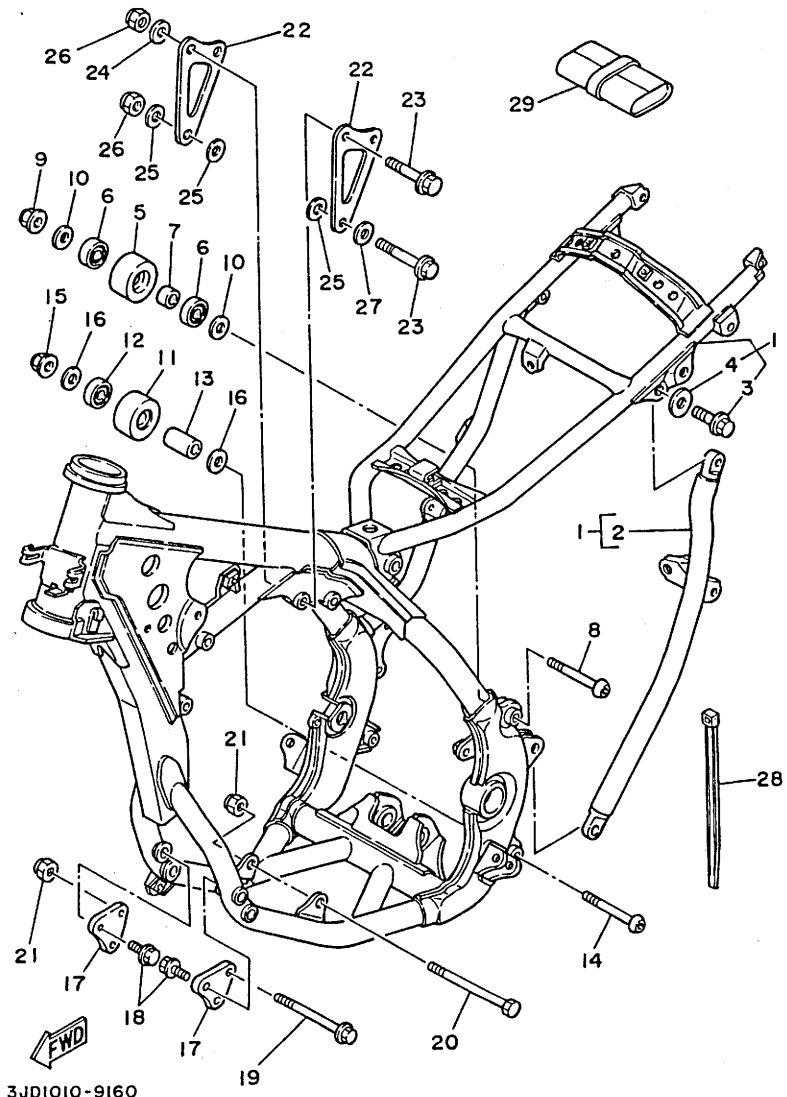


FIG. 16 FRAME

REF. NO.	PART NO.	DESCRIPTION	Q'TY	REMARKS
1	3JD-21110-00-UJ	FRAME COMP.	1	RADICAL WHITE
2	3JD-21123-00-UJ	.BACK, stay (L.H)	1	RADICAL WHITE
3	90101-08461	.BOLT	2	
4	90201-080E2	.WASHER, plate	2	
5	3JD-22178-00	TENSIONER	1	
6	93300-60816	BEARING	2	
7	90387-087K5	COLLAR	1	
8	92011-08070	SCREW	1	
9	95602-08200	NUT, self-locking	1	
10	90201-081A6	WASHER, plate	2	
11	3JD-22178-10	TENSIONER	1	
12	93300-60816	BEARING	1	
13	90387-086N4	COLLAR	1	
14	92011-08070	SCREW	1	
15	95602-08200	NUT, self-locking	1	
16	90201-081A6	WASHER, plate	2	
17	1LX-21419-00	BRACKET, engine 2	2	
18	91011-08040	BOLT, flange	4	
19	91011-08095	BOLT, flange	1	
20	90109-08386	BOLT	1	
21	95601-08200	NUT, self-locking	2	
22	1LX-21425-00	BRACKET, rear upper 1	2	
23	91011-08055	BOLT, flange	3	
24	90202-08022	WASHER, plate	2	
25	90201-085E6	WASHER, plate	3	
26	95601-08200	NUT, self-locking	3	
27	90201-084K3	WASHER, plate	1	
28	12R-82591-00	BAND	1	

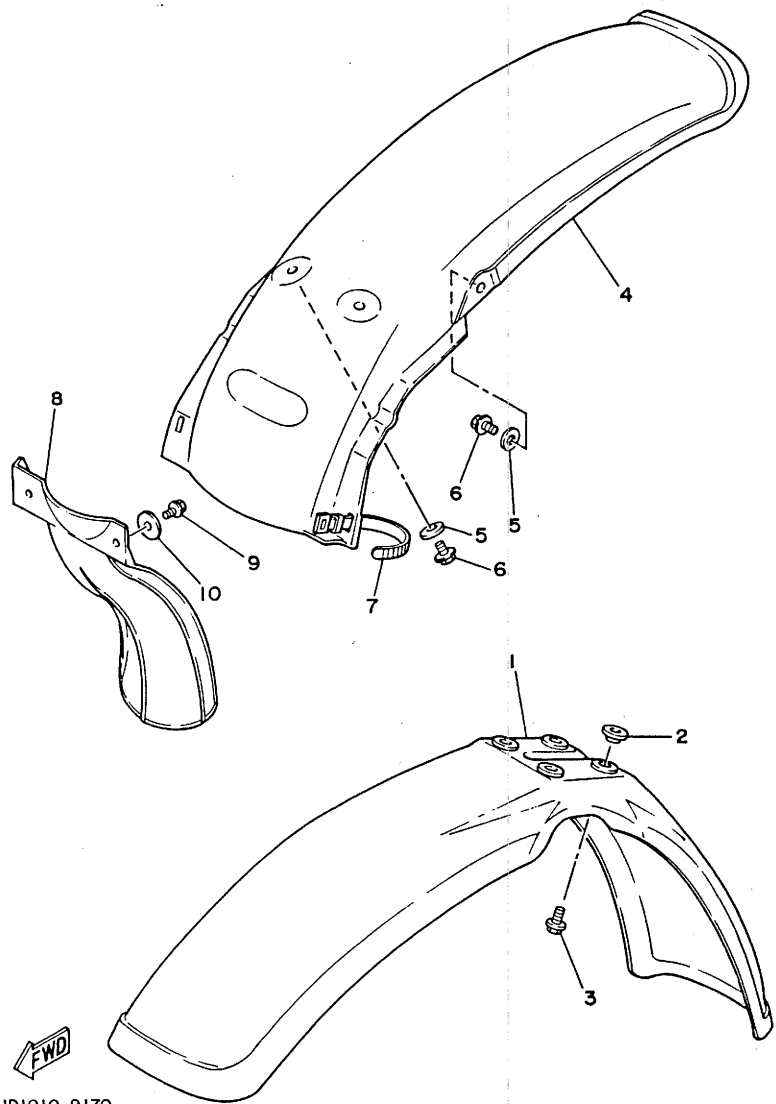




3JD1010-9160

FIG. 16 FRAME

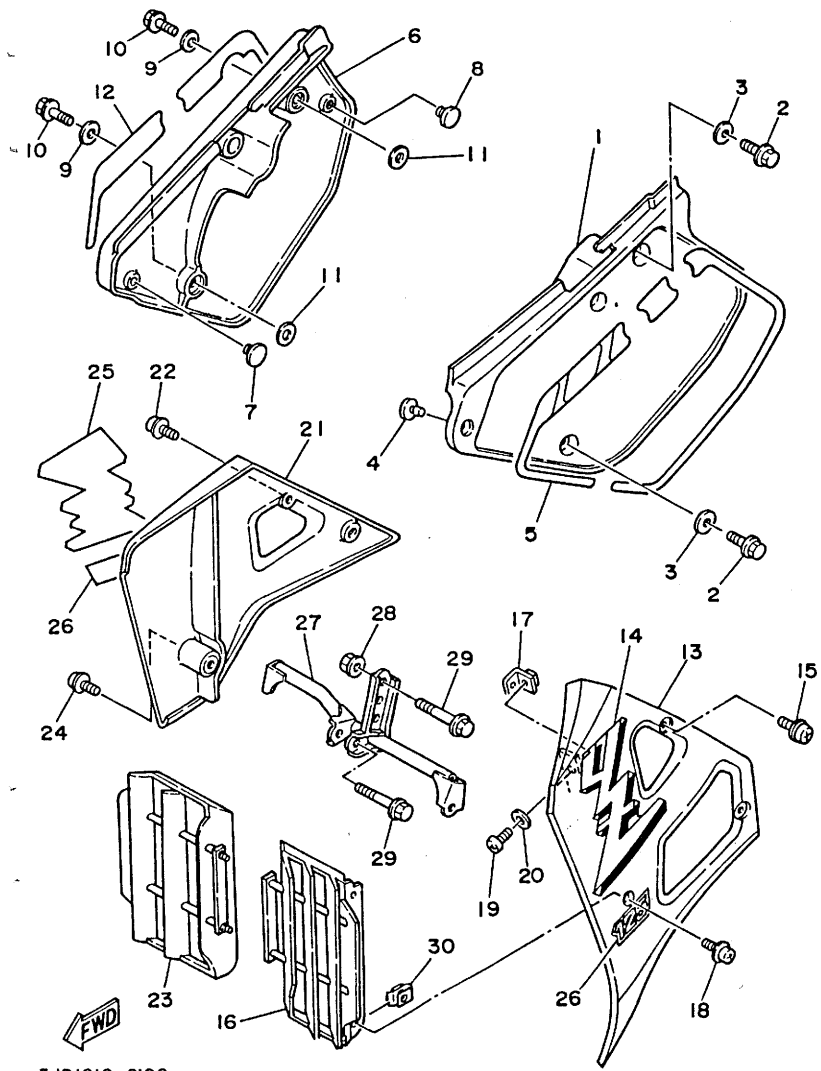
REF. NO.	PART NO.	DESCRIPTION	Q'TY	REMARKS
29	1LX-28100-00	TOOL KIT	1	



3JD1010-9170

FIG. 17 FENDER

REF. NO.	PART NO.	DESCRIPTION	Q'TY	REMARKS
1	5X6-21511-11	FENDER, front	1	WHITE
2	3JD-21748-00	COLLAR	4	
3	90119-06063	BOLT, with washer	4	
4	1LX-21611-00	FENDER, rear	1	WHITE
5	90201-06571	WASHER, plate	4	
6	90105-06553	BOLT, washer based	4	
7	437-83936-00	BAND, switch cord	1	
8	39X-21642-00	GUARD, flap	1	
9	95023-06010	BOLT, flange	2	
10	90201-06571	WASHER, plate	2	

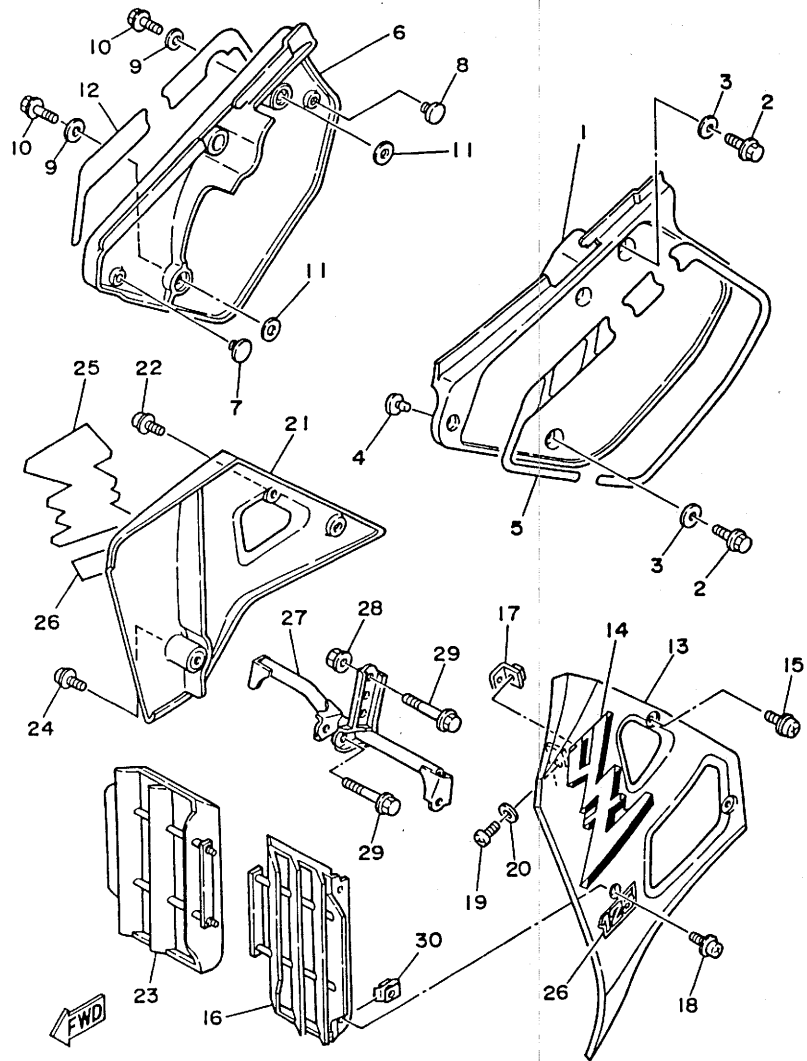


3JD1010-9180

FIG. 18 SIDE COVER

REF. NO.	PART NO.	DESCRIPTION	Q'TY	REMARKS
1	3JD-21711-00	COVER, side 1	1	
2	95023-06012	BOLT, flange	2	
3	90201-06571	WASHER, plate	2	
4	22W-24181-00	DAMPER, locating 1	1	
5	3JD-2173L-00	GRAPHIC SET 1	1	
6	2VM-21721-00	COVER, side 2	1	
7	22W-24181-00	DAMPER, locating 1	1	
8	3JD-24181-00	DAMPER, locating 1	1	
9	90201-06571	WASHER, plate	2	
10	95023-06012	BOLT, flange	2	
11	92901-08200	WASHER, plain	2	
12	3JD-2174L-00	GRAPHIC SET 2	1	
13	2VM-21731-00	COVER, side 3	1	
14	3JD-24244-00	GRAPHIC, fuel tank 1	1	
15	90159-06173	SCREW, with washer	2	
16	24Y-2172A-00	PANEL 1	1	
17	2VM-2172K-00	BRACKET 1	1	
18	90159-05172	SCREW, with washer	2	
19	98501-05016	SCREW, pan head	1	
20	92990-05200	WASHER, plain	1	
21	2VM-21741-00	COVER, side 4	1	
22	90159-06173	SCREW, with washer	2	
23	1LX-2172F-00	PANEL 2	1	
24	90159-05172	SCREW, with washer	2	
25	3JD-24245-00	GRAPHIC, fuel tank 2	1	
26	3JD-24254-00	GRAPHIC, fuel tank 7	2	
27	3JD-2174F-00	GUARD, radiator	1	
28	95701-08500	NUT, flange	1	

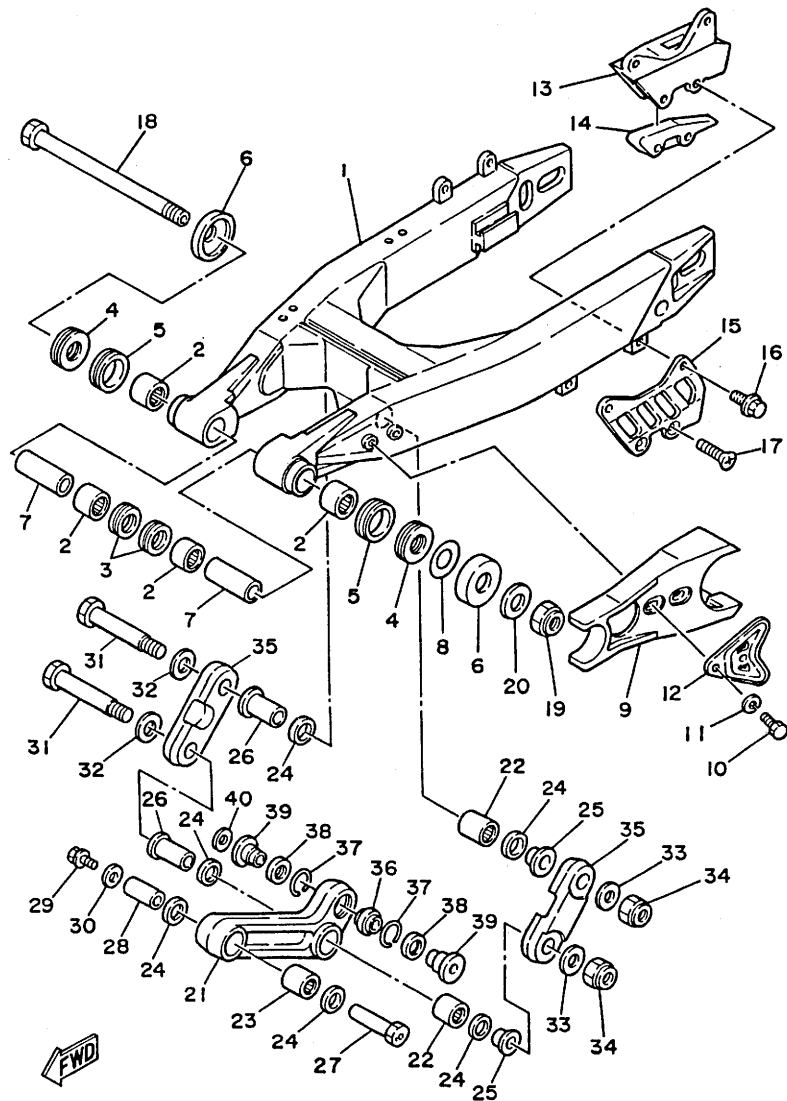
FIG. 18 SIDE COVER



REF. NO.	PART NO.	DESCRIPTION	Q'TY	REMARKS
29	95021-08050	BOLT, flange	2	
30	22W-21791-00	NUT	4	

3JD1010-9180

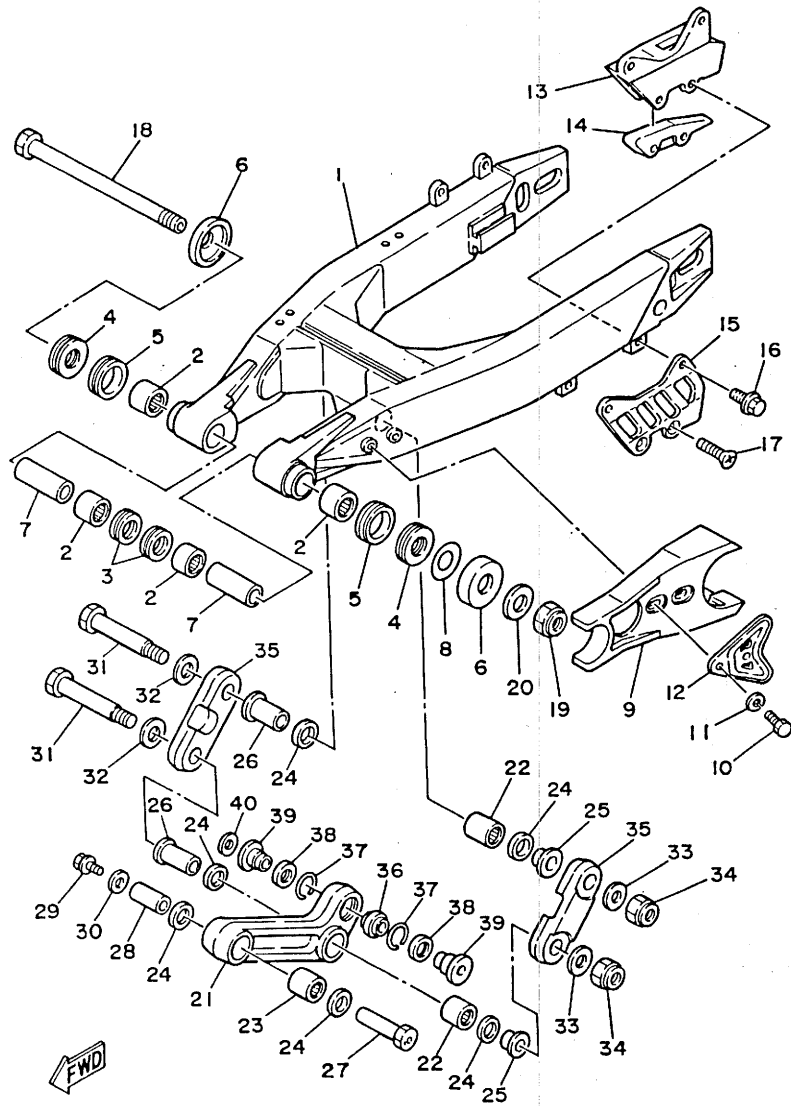
C11



3JD1010-9190

FIG. 19 REAR ARM

REF. NO.	PART NO.	DESCRIPTION	Q'TY	REMARKS
1	3JD-22110-00	REAR ARM COMP.	1	
2	93317-22262	BEARING, cylindrical	4	UR
	93317-22263	BEARING, cylindrical	4	UR
3	93106-22019	OIL SEAL (DC 22-28-8)	2	
4	93342-22208	BEARING	2	
5	93108-35004	OIL SEAL (35-41-8)	2	
6	3R4-22129-00	COVER, thrust 2	2	
7	90380-16056	BUSH, solid	2	
8	156-22127-00	SHIM (0.3T)	1	UN
9	3JD-22151-00	SEAL, guard	1	
10	97001-06020	BOLT	2	
11	92990-06100	WASHER, spring	2	
12	3JD-22156-00	WASHER, plate	1	
13	3JD-22199-00	SUPPORT, chain	1	
14	3JD-22147-00	PROTECTOR, chain	1	
15	3JD-22128-00	COVER, thrust 1	1	
16	91001-06020	BOLT, flange	2	
17	92701-06035	SCREW, flat head	2	
18	1LX-22141-00	SHAFT, pivot	1	
19	90185-16127	NUT, self-locking	1	
20	90201-164H4	WASHER, plate	1	
21	3JD-2217A-00	ARM, relay	1	
22	93315-22046	BEARING, cylindrical	2	
23	93315-22046	BEARING, cylindrical	1	
24	93109-20029	OIL SEAL	6	
25	90387-164N2	COLLAR	2	
26	90387-164N3	COLLAR	2	
27	90179-10544	NUT	1	

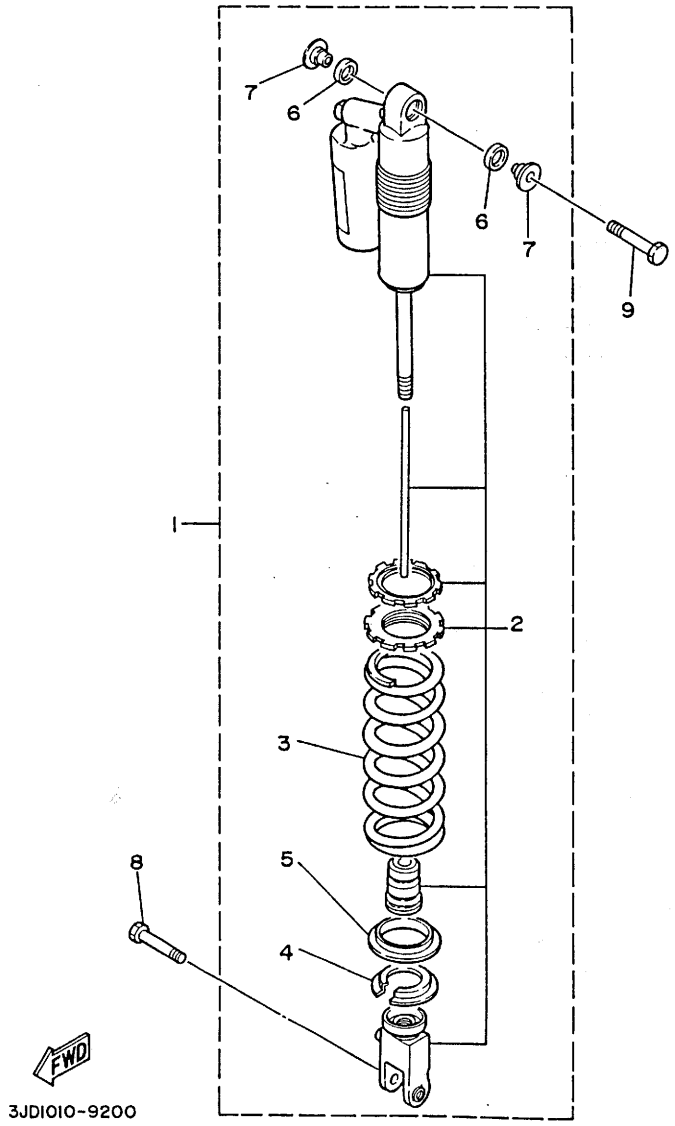


3JD1010-9190

FIG. 19 REAR ARM

REF. NO.	PART NO.	DESCRIPTION	Q'TY	REMARKS
28	90387-167R5	COLLAR	1	
29	91011-10016	BOLT, flange	1	
30	90201-106F2	WASHER, plate	1	
31	90109-142F4	BOLT	2	
32	90201-164H4	WASHER, plate	2	
33	90201-14740	WASHER, plate	2	
34	90185-14070	NUT, self-locking	2	
35	3JD-2217F-00	ROD, connecting 1	2	
36	93399-99921	BEARING	1	
37	93440-30113	CIRCLIP	2	
38	93104-18077	OIL SEAL	2	
39	90387-102V0	COLLAR	2	
40	90201-08759	WASHER, plate	1	

FIG. 20 REAR SUSPENSION



3JD1010-9200

REF. NO.	PART NO.	DESCRIPTION	Q'TY	REMARKS
1	3JD-22210-00-33	SHOCK ABSORBER ASSY, rear	1	YAMAHA BLACK
2	3JD-22201-00	.DAMPER SUB ASSY	1	
3	3JD-22212-20-33	.SPRING (K=5.0)	1	YAMAHA BLACK
4	3JD-22214-00	.GUIDE, spring 1	1	
5	3JD-22224-00	.GUIDE, spring 2	1	
6	3JD-22475-00	.SEAL, dust	2	
7	3JD-22253-00	.COLLAR, distance	2	
8	90109-107E9	BOLT	1	
9	3JD-22241-00	BOLT 1	1	

SEAL KIT ① 3JD-W222A-00  
 " " ② " - " - 01

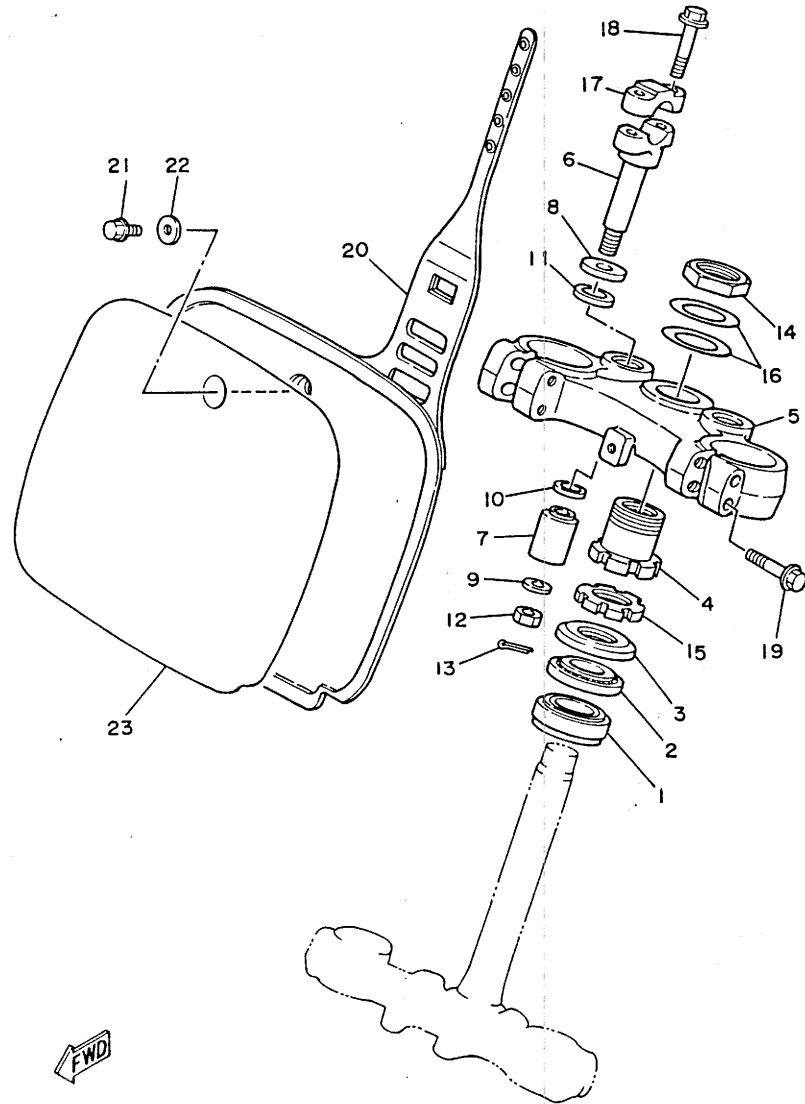
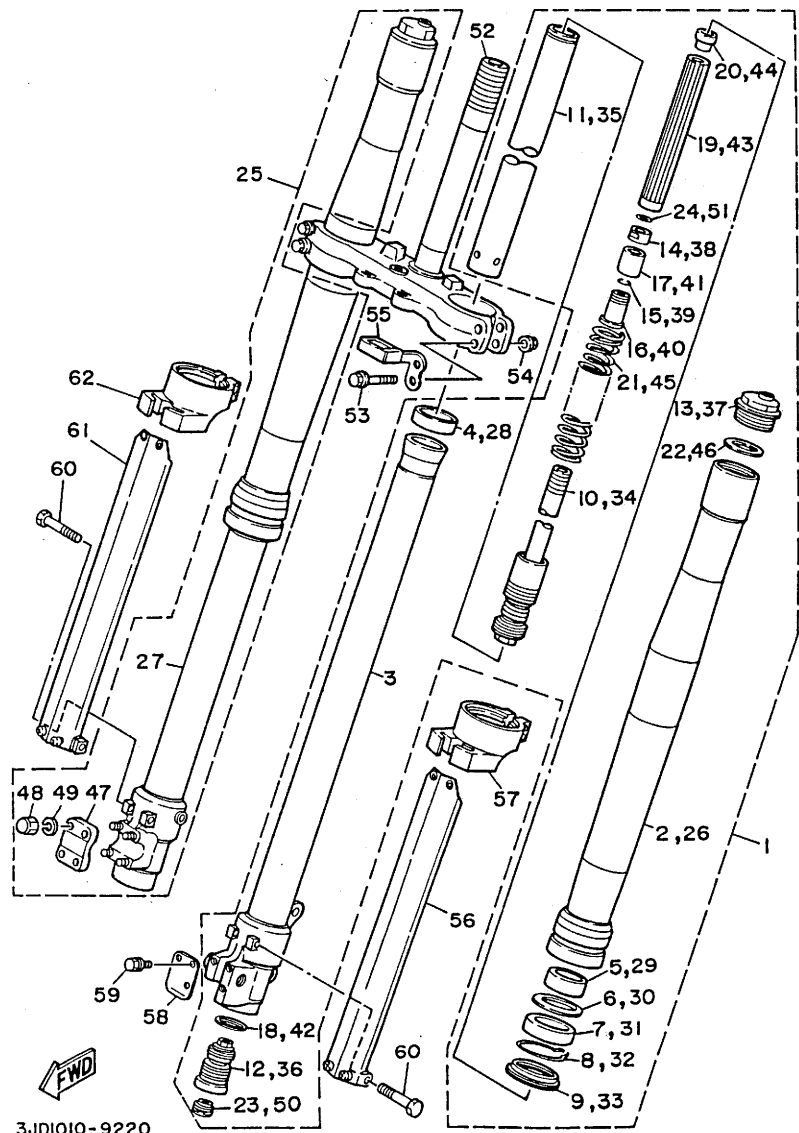


FIG. 21 STEERING

REF. NO.	PART NO.	DESCRIPTION	Q'TY	REMARKS
1	93332-00067	BEARING	1	
2	93332-00068	BEARING	1	
3	2HG-23416-00	COVER, ball race 2	1	
4	90179-36582	NUT	1	
5	3JD-23435-00-98	CROWN, handle	1	LOW GLOSS BLACK
6	1E6-23442-00	HOLDER, handle lower	2	
7	307-22123-00	BUSH 1	2	
8	90201-123E8	WASHER, plate	2	
9	90201-100A1	WASHER, plate	2	
10	90387-121E8	COLLAR	2	
11	90202-14077	WASHER, plate	2	
12	90185-10037	NUT, self-locking	2	
13	91401-20020	PIN, cotter	2	
14	90170-36382	NUT	1	
15	90179-28583	NUT	1	
16	90201-365M5	WASHER, plate	2	
17	1E6-23441-00	HOLDER, handle upper	2	
18	95021-08035	BOLT, flange	4	
19	95021-08050	BOLT, flange	4	
20	5X6-23485-11	PLATE, number	1	CLEAN WHITE
21	95023-06012	BOLT, flange	1	
22	90201-06571	WASHER, plate	1	
23	2VN-23395-00	EMBLEM	1	

3JD1010-9210



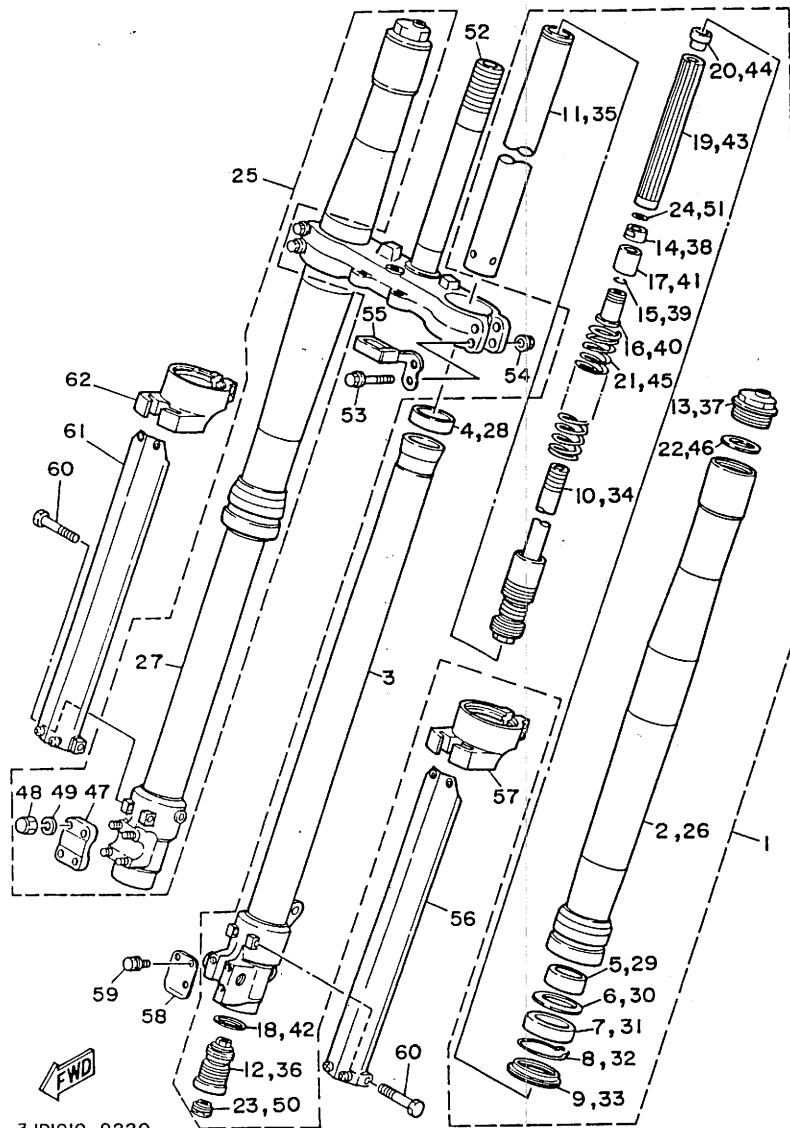


3JD1010-9220

FIG. 22 FRONT FORK

REF. NO.	PART NO.	DESCRIPTION	Q'TY	REMARKS
1	3JD-23102-L0	FRONT FORK ASSY (L.H)	1	
2	3JD-23136-L0	.TUBE, outer 2	1	
3	3JD-23120-L0	.INNER TUBE COMP.2	1	
4	3JD-23171-L0	.PISTON, front fork	1	
5	3JD-23125-L0	.METAL, slide 1	1	
6	36Y-23146-10	.WASHER, oil seal	1	
7	3JD-23145-L0	.OIL SEAL	1	
8	26H-23156-00	.CLIP, oil seal	1	
9	3JD-23144-L0	.SEAL, dust	1	
10	3JD-2314A-L0	.PISTON ROD ASSY	1	
11	3JD-23170-L0	.CYLINDER COMP., front fork	1	
12	3JD-2316A-L0	.VALVE COMP.	1	
13	3JD-23111-L0	.BOLT, cap	1	
14	3JD-23393-L0	.NUT, special	1	
15	3JD-23153-L0	.RING, snap	1	
16	3JD-23113-L0	.COLLAR	1	
17	3JD-23166-L0	.SPACER, oil lock	1	
18	3JD-23158-L0	.GASKET	1	
19	3JD-23142-L0	.SEAT, spring upper	1	
20	3JD-23357-L0	.NUT	1	
21	3JD-23141-L0	.SPRING, front fork (K=0.350)	1	
22	3JD-23146-L0	.WASHER, oil seal	1	
23	3JD-23126-L0	.PLUG	1	
24	3JD-23147-L0	.O-RING	1	
25	3JD-23103-L0	FRONT FORK ASSY (R.H)	1	
26	3JD-23136-L0	.TUBE, outer 2	1	
27	3JD-23110-L0	.INNER TUBE COMP.1	1	
28	3JD-23171-L0	.PISTON, front fork	1	

D2



3JD1010-9220

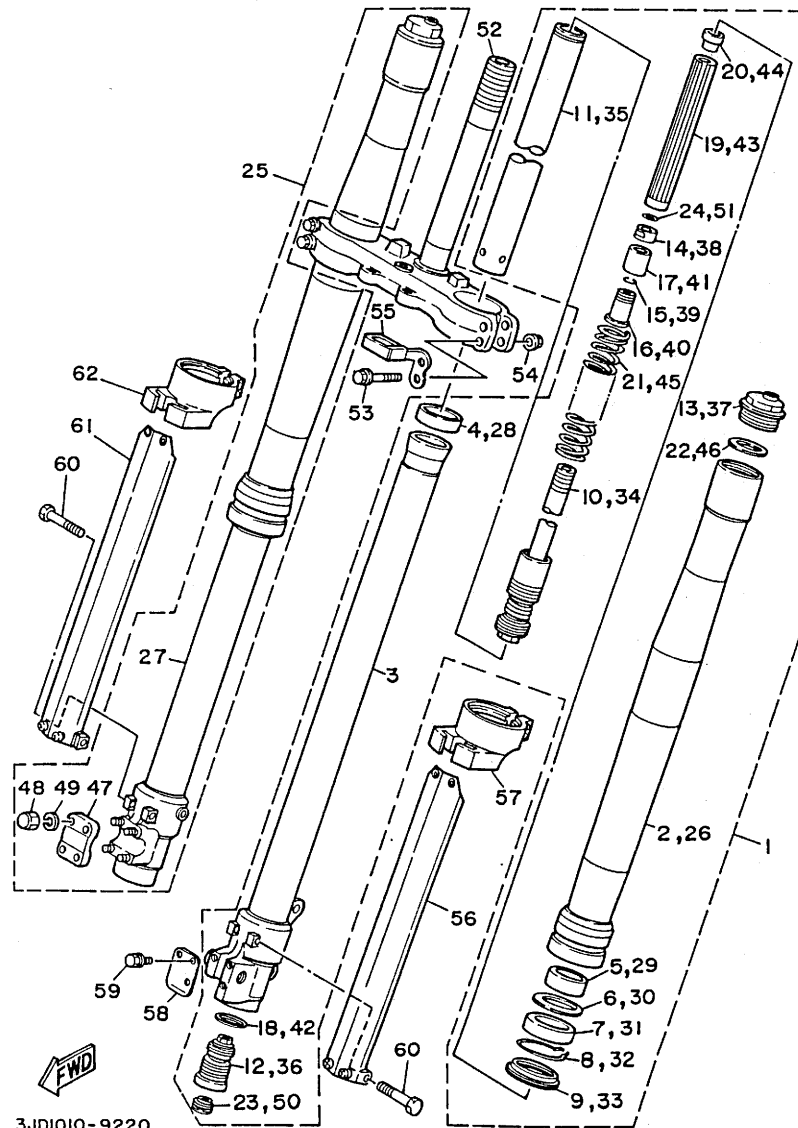
FIG. 22 FRONT FORK

REF. NO.	PART NO.	DESCRIPTION	Q'TY	REMARKS
29	3JD-23125-L0	.METAL, slide 1	1	
30	36Y-23146-10	.WASHER, oil seal	1	
31	3JD-23145-L0	.OIL SEAL	1	
32	26H-23156-00	.CLIP, oil seal	1	
33	3JD-23144-L0	.SEAL, dust	1	
34	3JD-2314A-L0	.PISTON ROD ASSY	1	
35	3JD-23170-L0	.CYLINDER COMP., front fork	1	
36	3JD-2316A-L0	.VALVE COMP.	1	
37	3JD-23111-L0	.BOLT, cap	1	
38	3JD-23393-L0	.NUT, special	1	
39	3JD-23153-L0	.RING, snap	1	
40	3JD-23113-L0	.COLLAR	1	
41	3JD-23166-L0	.SPACER, oil lock	1	
42	3JD-23158-L0	.GASKET	1	
43	3JD-23142-L0	.SEAT, spring upper	1	
44	3JD-23357-L0	.NUT	1	
45	3JD-23141-L0	.SPRING, front fork (K=0.350)	1	
46	3JD-23146-L0	.WASHER, oil seal	1	
47	4V2-23167-L0	.HOLDER, axle	1	
48	5Y3-23393-00	.NUT, special	4	
49	92990-06100	.WASHER, spring	4	
50	3JD-23126-L0	.PLUG	1	
51	3JD-23147-L0	.O-RING	1	
52	3JD-23340-L0	UNDER BRACKET COMP.	1	
53	95811-08060	BOLT, flange	4	
54	95701-08500	NUT, flange	4	
55	3JD-23389-00	GUIDE, cable	1	
56	3JD-2314H-L0	PROTECTOR COMP., 1	1	

D3

M/R. 88035

FIG. 22 FRONT FORK

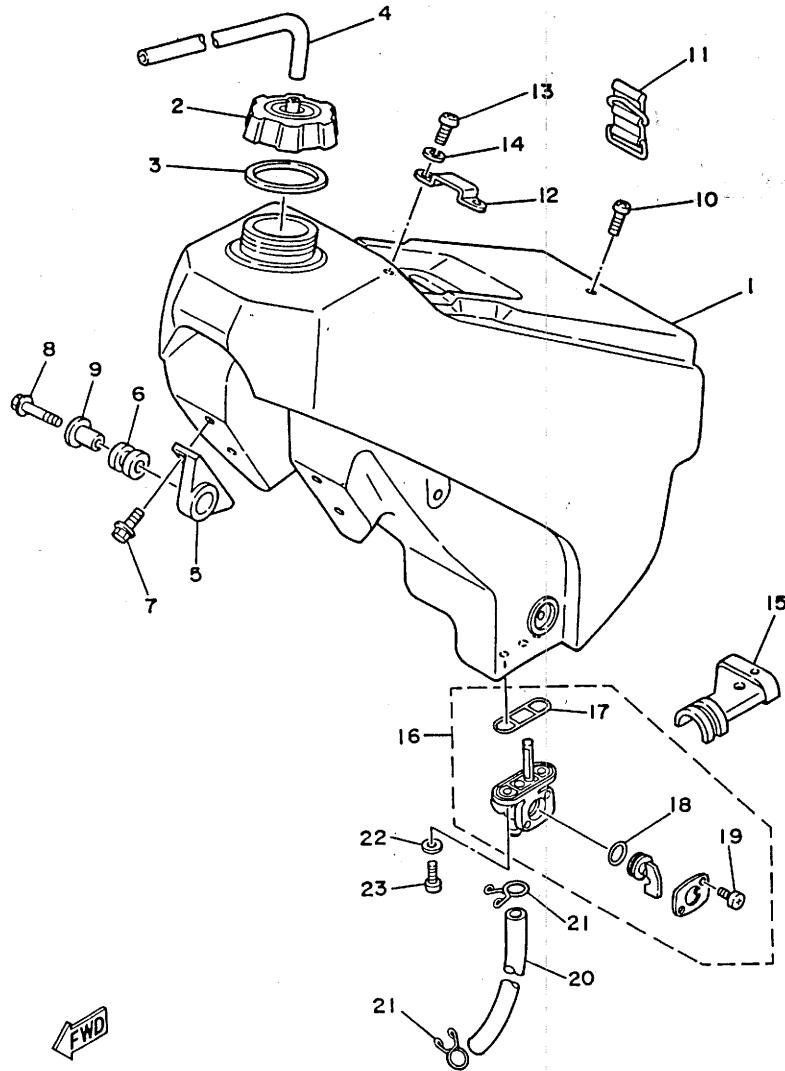


3JDI010-9220

REF. NO.	PART NO.	DESCRIPTION	Q'TY	REMARKS
57	3JD-2314F-LO	PROTECTOR GUIDE COMP., 1	1	
58	3JD-2314E-LO	COVER, hose	1	
59	3JD-23346-LO	BOLT 1	3	
60	98011-06050 <del>3JD-23356-LO</del>	BOLT 2	2	
61	3JD-2314J-LO	PROTECTOR COMP., 2	1	
62	3JD-2314G-LO	PROTECTOR GUIDE COMP., 2	1	

D4

FIG. 23 FUEL TANK

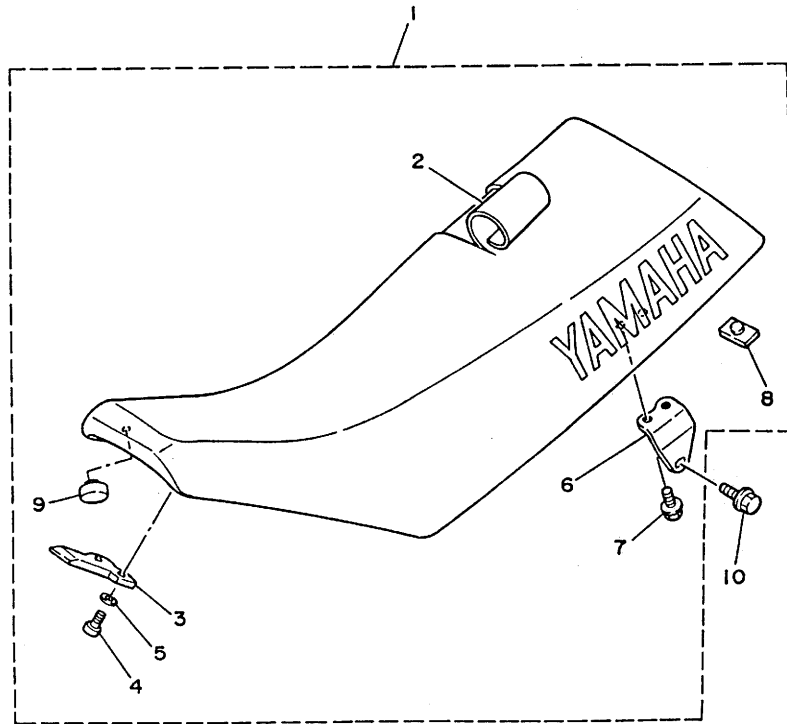


REF. NO.	PART NO.	DESCRIPTION	Q'TY	REMARKS
1	3JD-24110-00	FUEL TANK COMP.	1	
2	5X7-24611-01	BODY, cap	1	
3	5X7-24612-00	GASKET, cap	1	
4	90445-09100	HOSE	1	
5	24X-24144-00	HOLDER, damper	2	
6	90480-18354	GROMMET	2	
7	95023-06016	BOLT, flange	4	
8	95021-06035	BOLT, flange	2	
9	3JD-24186-00	WASHER, special	2	
10	98980-06020	SCREW, bind	1	
11	59V-24173-00	BAND, tank fitting 1	1	
12	5X6-2412F-00	BRACKET, seat	1	
13	92501-06012	SCREW, pan head	2	
14	92990-06100	WASHER, spring	2	
15	1LX-24181-00	DAMPER, locating 1	1	
16	3JD-24500-00	FUEL COCK ASSY 1	1	
17	4X8-24512-00	.O-RING	1	
18	4X8-24534-00	.SEAL, cock	1	
19	97801-03008	.SCREW, pan head	2	
20	90445-112E9	HOSE	1	
21	90467-10008	CLIP	2	
22	90202-06010	WASHER, plate	2	
23	90149-06011	SCREW	2	

3JD1010-9230

D5

FIG. 24 SEAT



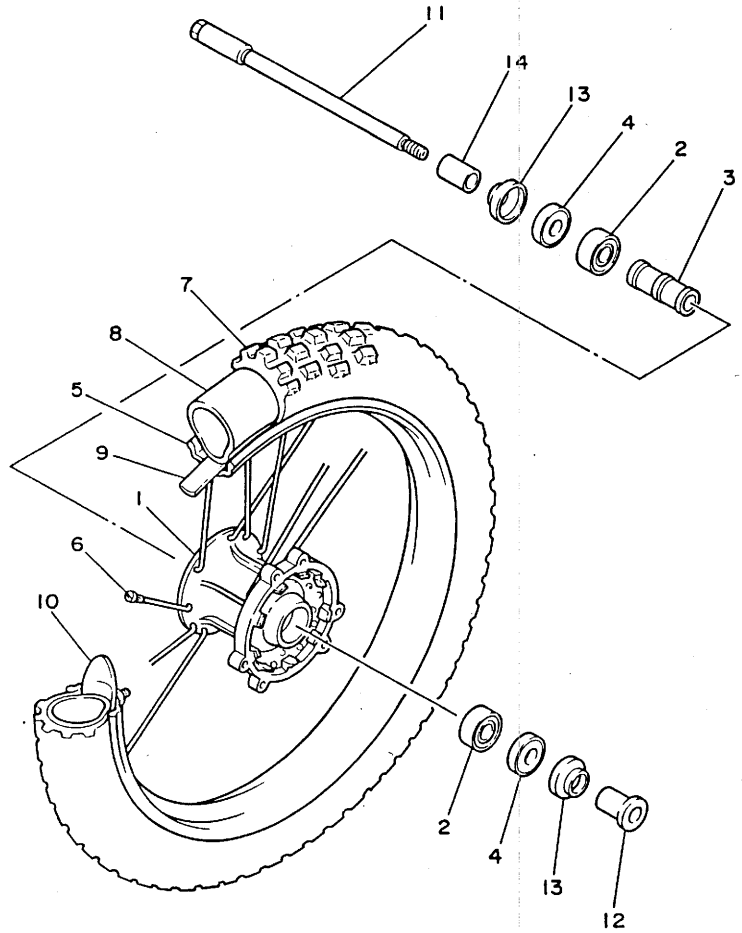
REF. NO.	PART NO.	DESCRIPTION	Q'TY	REMARKS
1	3JD-24770-00	SEMI-DOUBLE SEAT ASSY	1	
2	3JD-24731-00	.COVER, seat	1	
3	5X6-24748-10	.BRACKET, seat	1	
4	92501-06012	.SCREW, pan head	2	
5	92901-06600	.WASHER, plate	2	
6	1LX-24738-01	.BRACKET, seat	2	
7	95023-06012	.BOLT, flange	4	
8	509-24724-00	.DAMPER, seat	1	
9	107-24741-00	.PAD, seat	2	
10	95023-08016	BOLT, flange	2	



3JD1010-9240

D6

FIG. 25 FRONT WHEEL



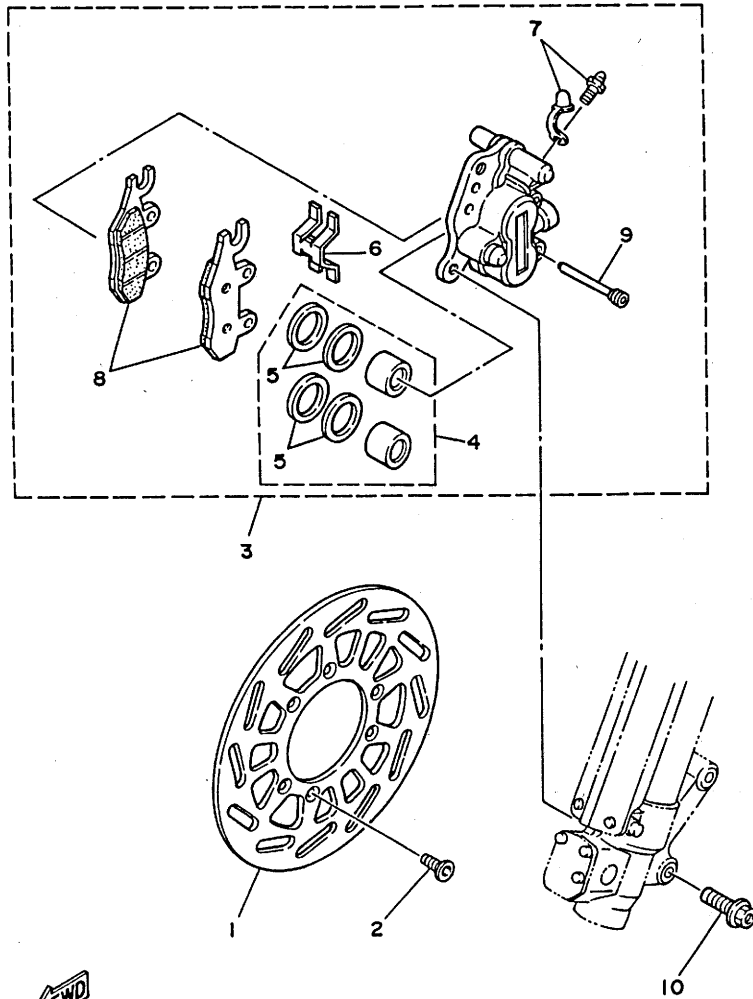
REF. NO.	PART NO.	DESCRIPTION	Q'TY	REMARKS
1	2HH-25111-00-98	HUB, front	1	LOW GLOSS BLACK
2	93306-20209	BEARING (B6202)	2	
3	90560-15352	SPACER	1	
4	93102-20281	OIL SEAL (SD 20-35-5)	2	
5	94416-21453	RIM (1.60-21)	1	
6	1LX-25104-00	SPOKE SET, front	1	
7	94110-210U0	TIRE (051M 80/100-21 M51)	1	UR BRIDGESTONE FOR U.S.A, CANADA
	94108-216U5	TIRE (80/100-21 51M D704F P)	1	UR DUNLOP FOR OCEANIA, S.AFRICA, OTHERS
8	94209-21229	TUBE (80/100C-21 TR4)	1	UR BRIDGESTONE FOR U.S.A, CANADA
	94227-21123	TUBE (2.75-21)	1	UR BRIDGESTONE FOR OCEANIA, S.AFRICA, OTHERS
9	94330-21084	BAND, rim (3.00-21)	1	UR BRIDGESTONE FOR U.S.A, CANADA
	94307-21145	BAND, rim (70-80/100-21)	1	UR DUNLOP FOR OCEANIA, S.AFRICA, OTHERS
10	2J5-25394-01	SPACER, bead	1	
11	55U-25181-00	AXLE, wheel	1	
12	90387-152V1	COLLAR	1	
13	322-25118-00	COVER, hub dust	2	
14	90387-151V9	COLLAR	1	



3JD1010-9250

D7

FIG. 26 FRONT BRAKE CALIPER

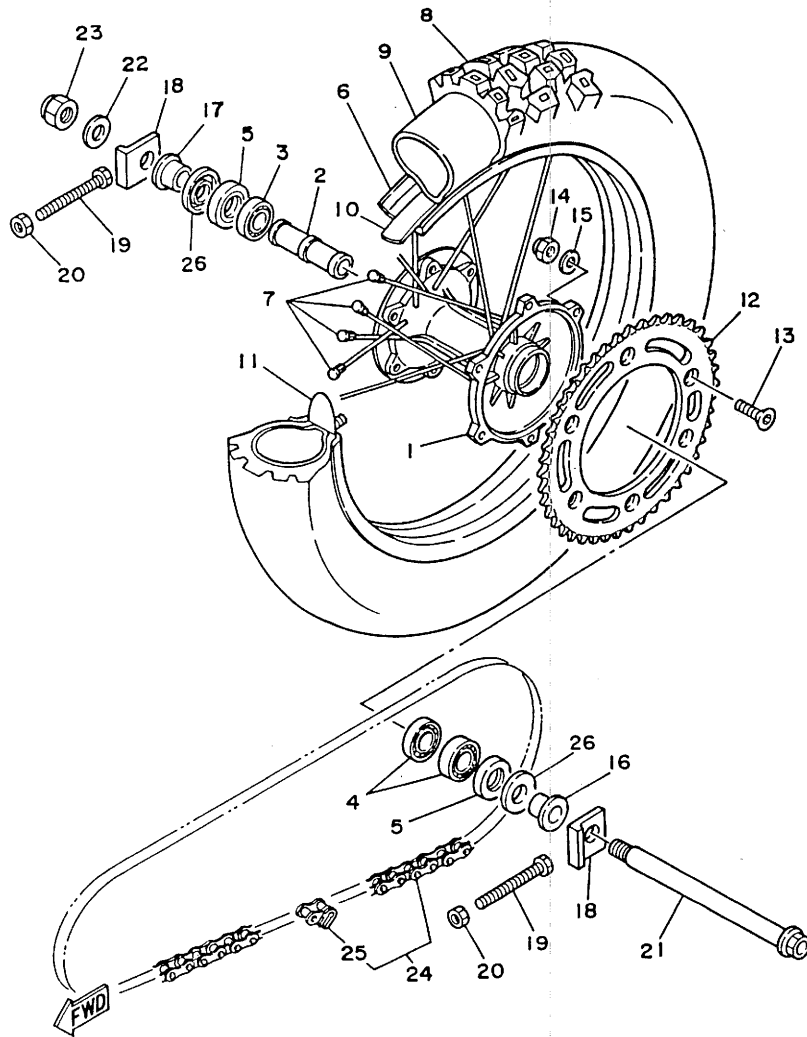


REF. NO.	PART NO.	DESCRIPTION	Q'TY	REMARKS
1	3JD-2582T-00	DISC, brake (LEFT)	1	
2	90149-06272	SCREW	6	
3	3JD-25810-00	CALIPER ASSY (RIGHT)	1	
4	3JD-W0057-00	.PISTON ASSY, caliper	1	
5	3JD-W0047-00	..CALIPER SEAL KIT	1	
6	3JD-25919-00	.SUPPORT, pad	1	
7	1UY-W0048-50	.BREED SCREW KIT	1	
8	3JD-W0045-00	.BRAKE PAD KIT	1	
9	3GD-25933-00	.PIN, pad	2	
10	91011-08035	BOLT, flange	2	



3JD1010-9260

FIG. 27 REAR WHEEL

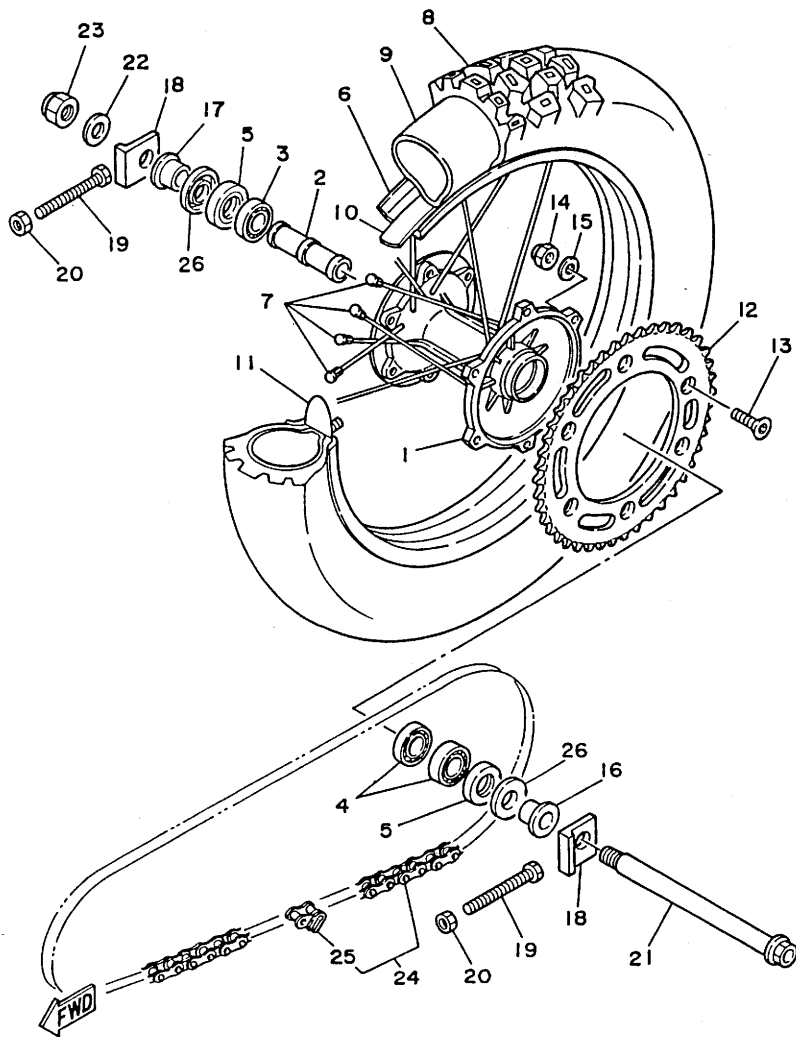


3JDI010-9270

REF. NO.	PART NO.	DESCRIPTION	Q'TY	REMARKS
1	2VN-25311-00-98	HUB, rear	1	LOW GLOSS BLACK
2	3JD-25317-00	SPACER, bearing	1	
3	93306-00418	BEARING	1	
4	93306-00438	BEARING	2	
5	93106-28023	OIL SEAL	2	
6	94418-19485	RIM (1.85-19)	1	
7	3JD-25304-00	SPOKE SET, rear	1	
8	94110-190U8	TIRE (057M 100/90-19 M52)	1	UR BRIDGESTONE FOR U.S.A, CANADA
	94110-196U4	TIRE (100/90-19 57M D704 P)	1	UR DUNLOP FOR OCEANIA, S.AFRICA, OTHERS
9	94210-19222	TUBE (3.25-19)	1	UR BRIDGESTONE FOR U.S.A, CANADA
	94210-19224	TUBE (100/90-19 TR4 BTL)	1	UR DUNLOP FOR OCEANIA, S.AFRICA, OTHERS
10	94316-19156	BAND, rim (1.85-19)	1	UR BRIDGESTONE FOR U.S.A, CANADA
	94327-19111	BAND, rim (2.75-19)	1	UR INOUE FOR OCEANIA, S.AFRICA, OTHERS
11	2X3-25394-00	SPACER, bead	2	
12	3JD-25451-00	SPROCKET, driven (51T)	1	STD
	39W-25444-00	SPROCKET, driven (44T)	1	AP
	39W-25445-00	SPROCKET, driven (45T)	1	AP
	39W-25446-00	SPROCKET, driven (46T)	1	AP
	39W-25448-00	SPROCKET, driven (48T)	1	AP
	39W-25450-00	SPROCKET, driven (50T)	1	AP
	39W-25452-00	SPROCKET, driven (52T)	1	AP
	2HH-25449-00	SPROCKET, driven (49T)	1	AP
13	90109-08792	BOLT	6	
14	95611-08100	NUT, u	6	
15	90201-081A6	WASHER, plate	6	
16	90387-203V0	COLLAR	1	
17	90387-202V9	COLLAR	1	
18	3JD-25388-00	PULLER, chain 1	2	

D9



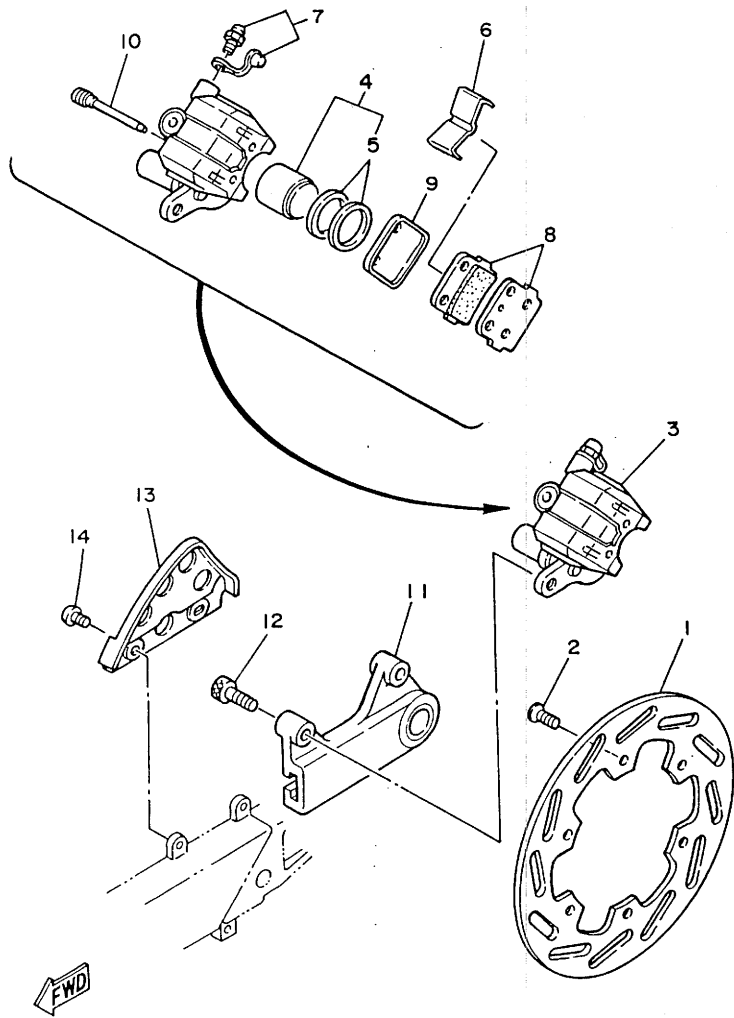


3JD1010-9270

FIG. 27 REAR WHEEL

REF. NO.	PART NO.	DESCRIPTION	Q'TY	REMARKS
19	90101-08699	BOLT	2	
20	95303-08700	NUT	2	
21	3JD-25381-00	AXLE, wheel	1	
22	92990-18600	WASHER	1	
23	90185-18104	NUT, self-locking	1	
24	94581-13114	CHAIN	1	
25	94681-13001	.JOINT, chain	1	
26	4V4-25367-00	COVER, hub dust	2	

FIG. 28 REAR BRAKE CALIPER



REF. NO.	PART NO.	DESCRIPTION	Q'TY	REMARKS
1	3JD-2582W-00	DISC, rear brake 2	1	
2	90149-06272	SCREW	6	
3	3JD-2580W-00	CALIPER ASSY, rear 2	1	
4	3JD-W0057-50	.PISTON ASSY, caliper	1	
5	3JD-W0047-50	..CALIPER SEAL KIT	1	
6	1UY-25919-51	.SUPPORT, pad	1	
7	1UY-W0048-50	.BREED SCREW KIT	1	
8	3JD-W0046-00	.BRAKE PAD KIT, rear	1	
9	3GD-25827-00	.SHIM, caliper	1	
10	3GD-25933-00	.PIN, pad	2	
11	3JD-25920-00	SUPT. BRKT. ASSY.	1	
12	91311-08020	BOLT	2	
13	3JD-27491-00	PROTECTOR	1	
14	92011-06012	SCREW	2	

3JD1010-9280

D11

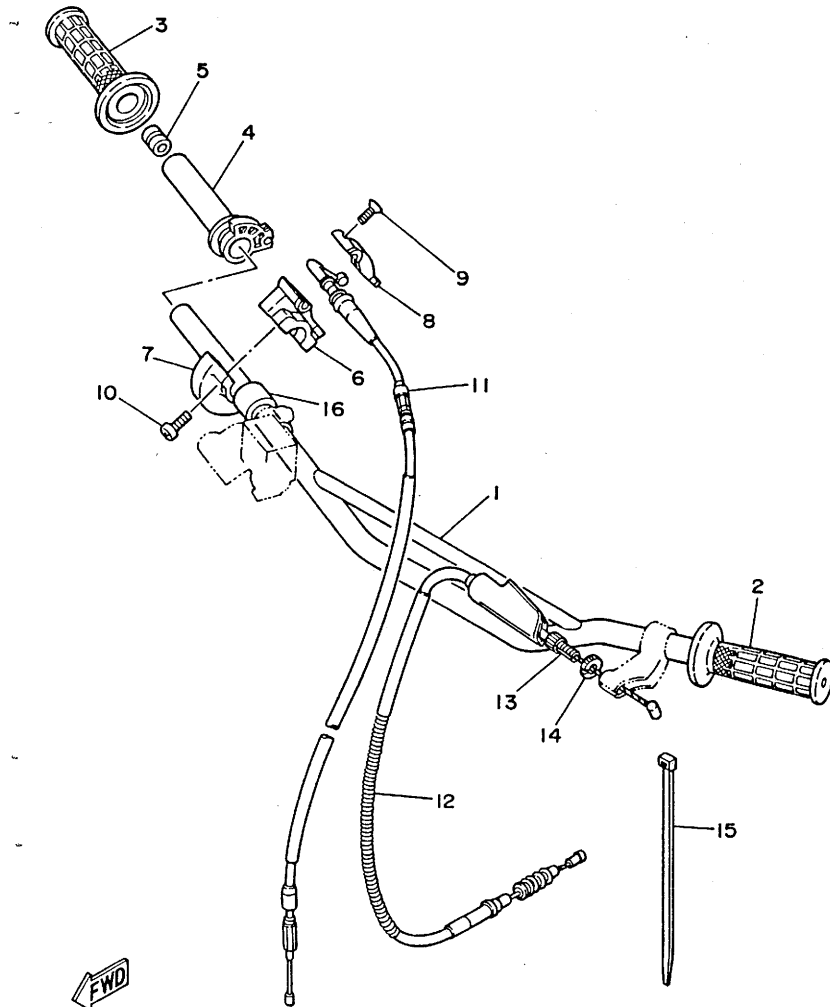


FIG. 29 STEERING HANDLE. CABLE

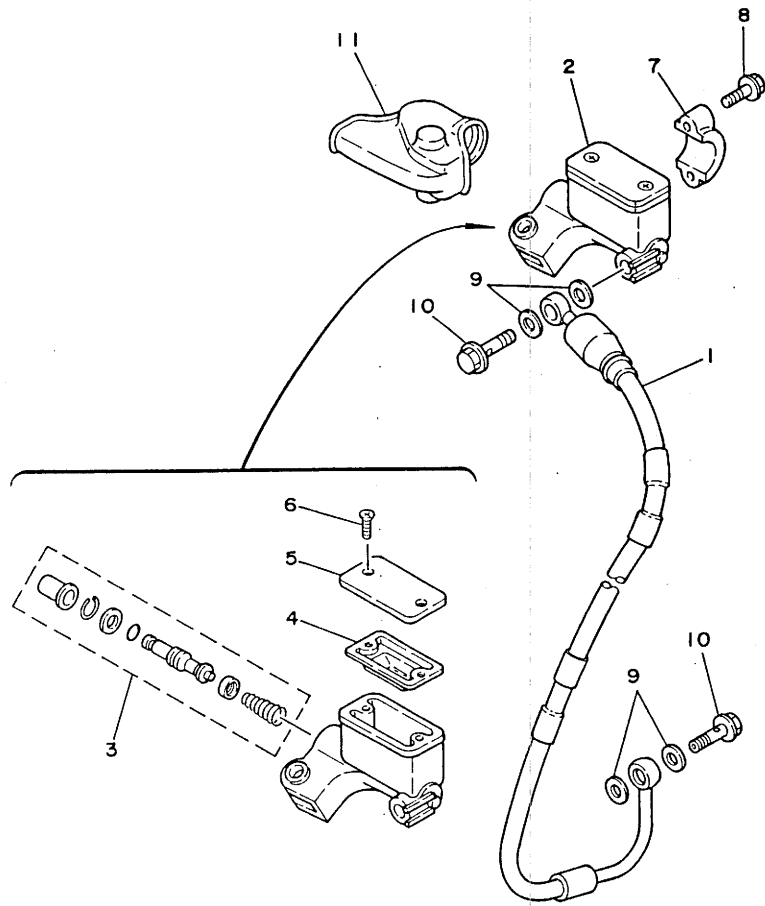
REF. NO.	PART NO.	DESCRIPTION	Q'TY	REMARKS
1	3JD-26111-10	HANDLEBAR	1	
2	1LX-26241-01	GRIP (L.H)	1	
3	1LX-26242-01	GRIP (R.H)	1	
4	23X-26243-00	TUBE, throttle guide	1	
5	688-82535-00	GROMMET	1	
6	23X-26281-00	CAP, grip upper	1	
7	431-26282-01-98	CAP, grip lower	1	LOW GLOSS BLACK
8	5X2-2628H-01	CAP, wire	1	
9	98706-04012	SCREW, flat head	2	
10	98506-05016	SCREW, pan head	2	
11	3JD-26311-00	CABLE, throttle 1	1	
12	3JD-26335-00	CABLE, clutch	1	
13	90123-08090	BOLT	1	
14	90179-08401	NUT	1	
15	90465-13154	CLAMP	1	
16	90560-22281	SPACER	1	



3JDI010-9290

D12

FIG. 30 FRONT MASTER CYLINDER



REF. NO.	PART NO.	DESCRIPTION	Q'TY	REMARKS
1	3JD-25872-00	HOSE, brake 1	1	
2	3JD-25870-00	MASTER CYLINDER SUB ASSY	1	
3	56A-W0041-00	.CYLINDER KIT, master	1	
4	56A-25854-00	.DIAPHRAGM, reservoir	1	
5	2VN-25852-00	.CAP, reservoir	1	
6	98706-04012	.SCREW, flat head	2	
7	56A-25867-00	BRACKET, master cylinder	1	
8	95026-06025	BOLT, flange	2	
9	90201-10118	WASHER, plate	4	
10	90401-10034	BOLT, union	2	
11	56A-26372-00	COVER, handle lever 1	1	



3JD1010-9300

D13

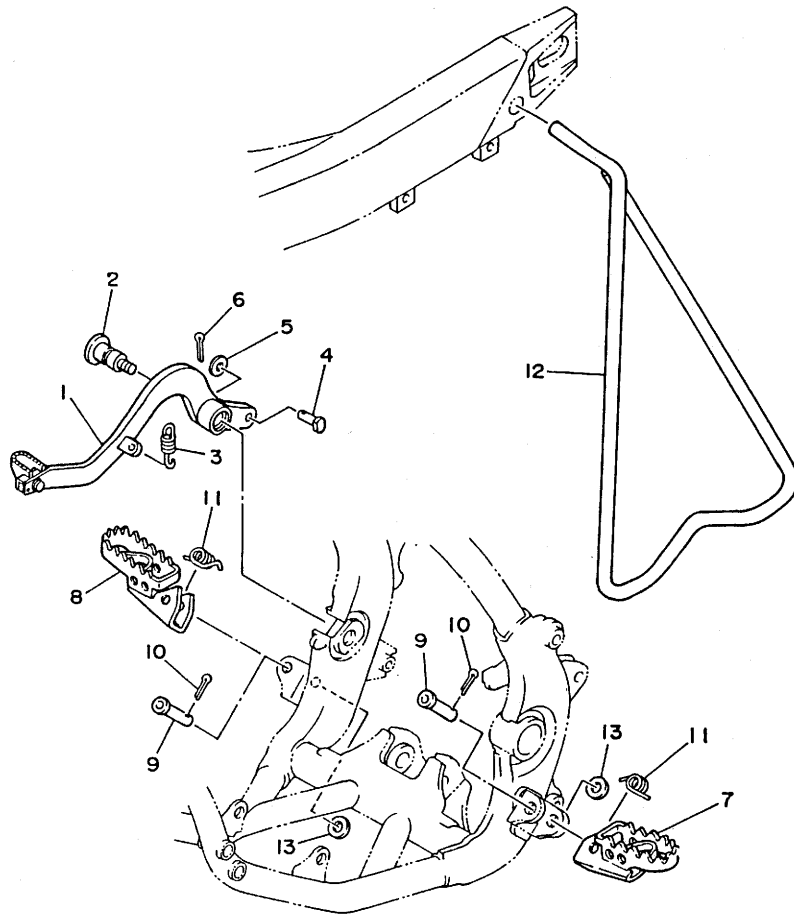


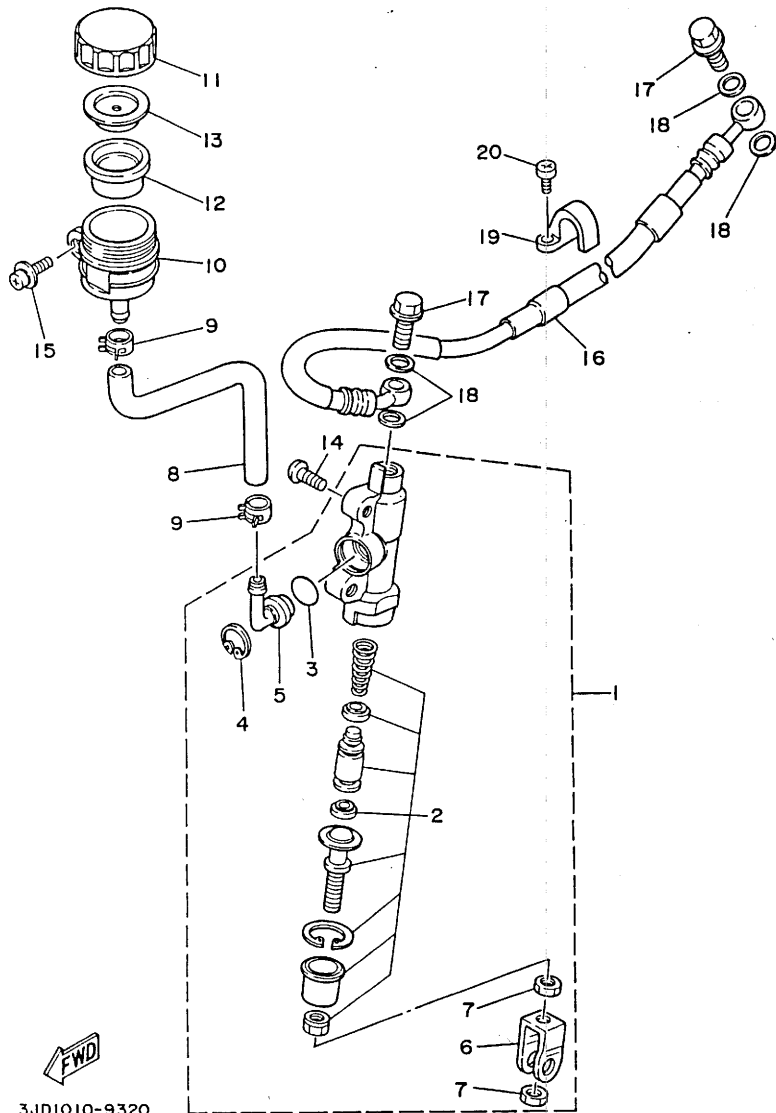
FIG. 31 STAND. FOOTREST

REF. NO.	PART NO.	DESCRIPTION	Q'TY	REMARKS
1	3JD-27200-00	PEDAL, brake	1	
2	3JD-27217-00	BOLT	1	
3	90506-14449	SPRING, tension	1	
4	90240-08120	PIN, clevis	1	
5	92901-08600	WASHER, plate	1	
6	91401-25015	PIN, cotter	1	
7	2VN-27411-00	FOOTREST 1	1	
8	2VN-27421-00	FOOTREST 2	1	
9	90240-10117	PIN, clevis	2	
10	91401-25015	PIN, cotter	2	
11	90508-28777	SPRING, torsion	2	
12	1LX-27311-00	STAND, side	1	
13	90201-10119	WASHER, plate	2	



3JD1010-9310

D14



3JD1010-9320

FIG. 32 REAR MASTER CYLINDER

REF. NO.	PART NO.	DESCRIPTION	Q'TY	REMARKS
1	2VN-25850-50	MASTER CYLINDER ASSY	1	
2	1FK-W0042-50	.CYLINDER KIT, master	1	
3	93210-15620	.O-RING	1	
4	2VN-25866-00	.CIRCLIP	1	
5	2VN-2582A-50	.JOINT	1	
6	2VN-27222-00	.JOINT	1	
7	95303-08600	.NUT	2	
8	3JD-25895-00	HOSE, reservoir	1	
9	90467-11044	CLIP	2	
10	2VN-25894-00	TANK, reservoir	1	
11	2VN-25852-50	CAP, reservoir	1	
12	2VN-25854-00	DIAPHRAGM, reservoir	1	
13	2VN-25855-00	BUSH, diaphragm	1	
14	92013-06016	BOLT	2	
15	90159-06056	SCREW, with washer	1	
16	3JD-25873-10	HOSE, brake 2	1	
17	90401-10034	BOLT, union	2	
18	90201-10118	WASHER, plate	4	
19	2VM-25876-00	HOLDER, brake hose 2	2	
20	98580-05010	SCREW, pan head	4	

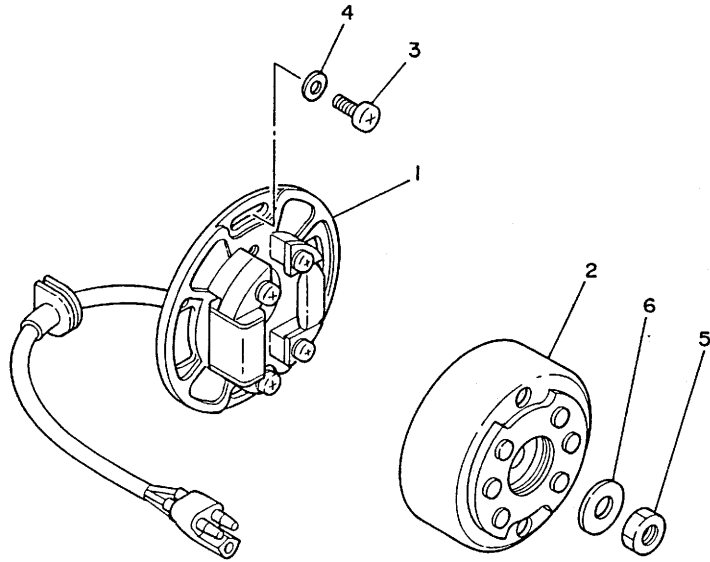


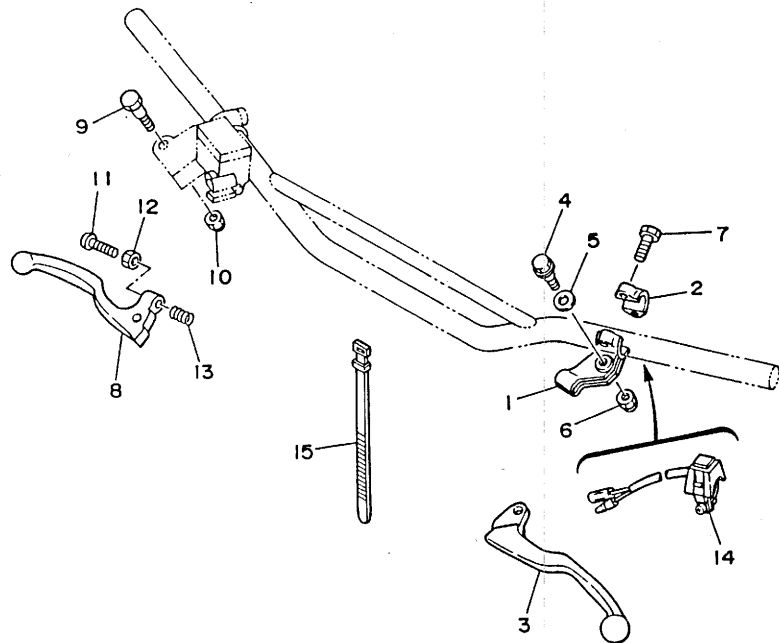
FIG. 33 GENERATOR

REF. NO.	PART NO.	DESCRIPTION	Q'TY	REMARKS
1	3JD-85510-00	STATOR ASSY	1	
2	3JD-85550-00	ROTOR ASSY	1	
3	92501-06014	SCREW, pan head	2	
4	92901-06600	WASHER, plate	2	
5	95311-10600	NUT	1	
6	90201-10774	WASHER, plate	1	



3JD1010-9330

FIG. 34 HANDLE SWITCH. LEVER



REF. NO.	PART NO.	DESCRIPTION	Q'TY	REMARKS
1	38V-82911-00	HOLDER, lever 1	1	
2	38V-82913-00	HOLDER, lever lower 1	1	
3	23X-83912-00	LEVER 1	1	
4	90109-06797	BOLT	1	
5	90201-082A9	WASHER, plate	1	
6	95616-06100	NUT, u	1	
7	97006-05016	BOLT	2	
8	3JD-83922-00	LEVER 2	1	
9	90109-06577	BOLT	1	
10	95616-06100	NUT, u	1	
11	90149-06153	SCREW	1	
12	90170-06010	NUT	1	
13	90501-105F3	SPRING, compression	1	
14	23X-83976-00	SWITCH, handle 1	1	
15	437-83936-00	BAND, switch cord	2	



3JD1010-9340

E3



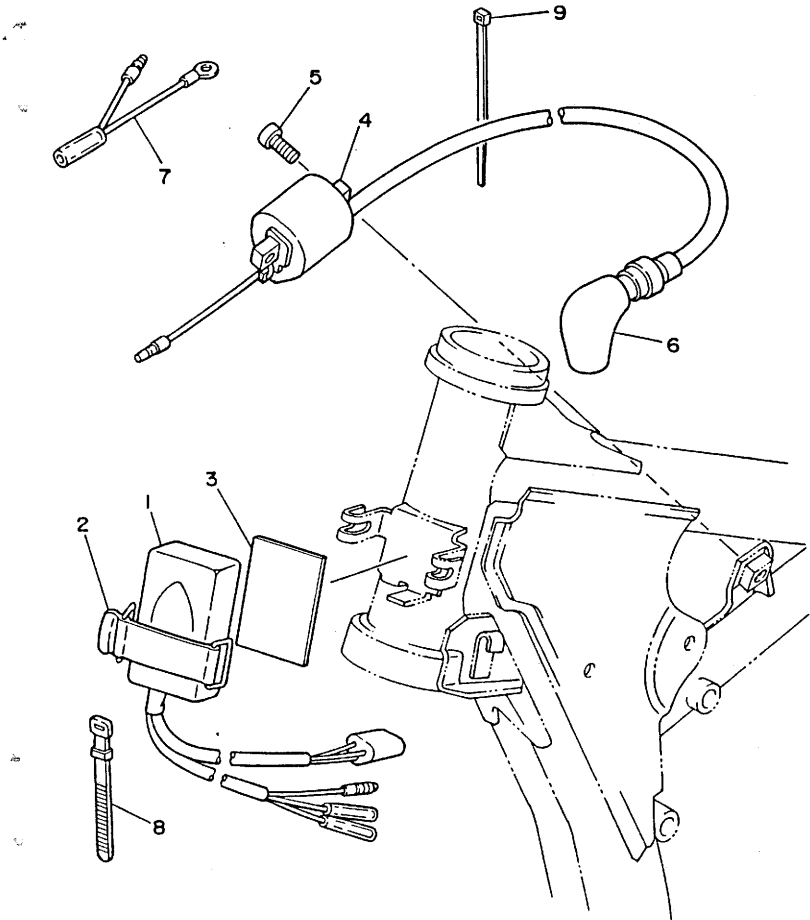


FIG. 35 ELECTRICAL 1

REF. NO.	PART NO.	DESCRIPTION	Q'TY	REMARKS
1	3JD-85540-00	C.D.I. UNIT ASSY	1	
2	21V-21376-00	BAND, tool	1	
3	2K7-85547-00	DAMPER	1	
4	24X-82310-10	IGNITION COIL ASSY	1	
5	92502-06016	SCREW, pan head	2	
6	3R0-82370-20	PLUG CAP ASSY	1	UR
	2TV-82370-00	PLUG CAP ASSY	1	UR WITH NOISE SUPPRESSOR
7	5X1-82519-01	WIRE, earth lead	1	
8	25G-83936-00	BAND, switch cord	1	
9	12R-82591-00	BAND	1	

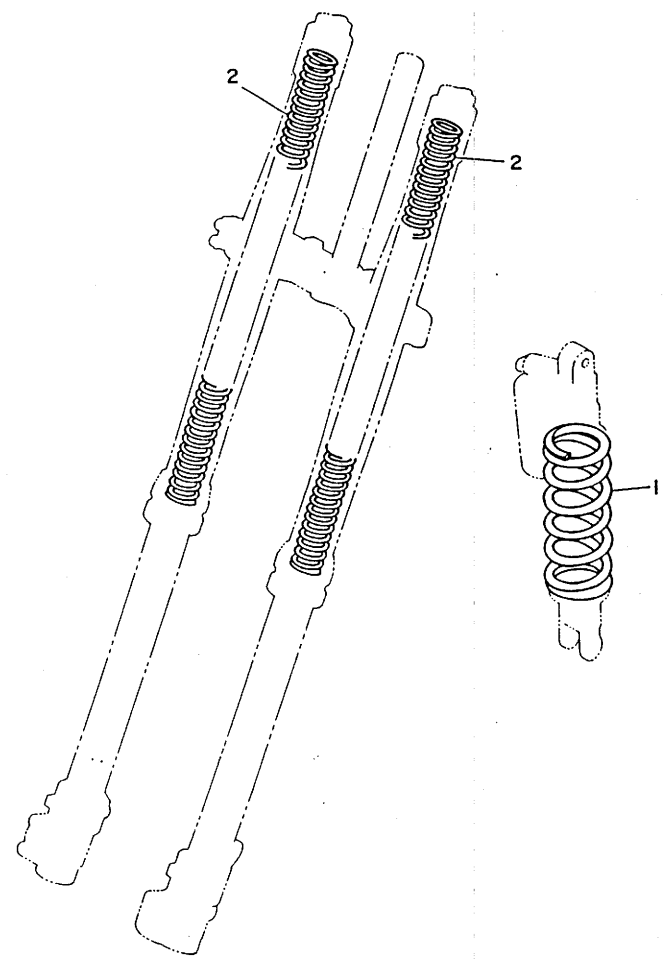


3JDI010-9350

E4

FIG. 36 ALTERNATE 1 (CHASSIS)

REF. NO.	PART NO.	DESCRIPTION	Q'TY	REMARKS
1	3JD-22212-10-33	SPRING (K=4.8)	1	AP YAMAHA BLACK(SOFT)
	3JD-22212-30-33	SPRING (K=5.2)	1	AP YAMAHA BLACK(HARD)
2	3JD-23141-00	SPRING, front fork (K=0.335)	2	AP (SOFT)
	3JD-23141-20	SPRING, front fork (K=0.365)	2	AP (HARD)



3JD1010-9360

E5