

YAMAHA

PARTS LIST

MODEL YZ250F

(MODEL CODE 2X4)

COPY RIGHT: ALL RIGHTS RESERVED

NO PART OF THIS PUBLICATION MAY BE REPRODUCED WITHOUT PERMISSION.

2X4-28198-05



FOREWORD

This Parts List is related to the parts in use for the Yamaha YZ250F. When you are ordering replacement parts for the YZ250F, refer to this Parts List and quote both part numbers and part names correctly.

1. Modifications or additions which have been made after issue of the Parts List will be announced in the Yamaha Parts News.

It is advisable that according to the Yamaha Parts News you make necessary corrections to the Parts List on hand to keep it up-to-date.

2. Abbreviations

The following abbreviations are used in this Parts List.

U.R. Use size (thickness) and/or number as required.

U.N. Use as many as you need.

F# Frame No. (Applicable machine No.)

3. Parts, which are to be supplied in the form of assemblies, are listed with an indentation of one letter's space, and a dot (.) is put against the name of each part.

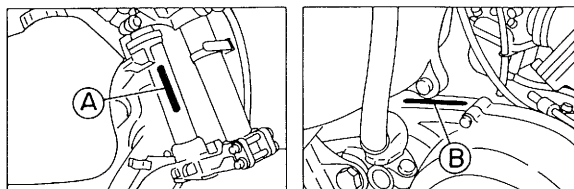
EXAMPLE CARBURETOR ASS'Y

. JET, pilot

. NOZZLE, main

4. Initial Serial No. and Color Code

(A) Frame Serial No.	2X4-000101 and following
(B) Engine Serial No.	2X4-000101 and following



Color Code	Color Name
33	Yamaha Black
91	Uni-Chrome Plated
93	Chrome Plated
98	Low Gloss Black
R4	Heat Proof Black

CONTENTS

ENGINE

Fig. 1	Cylinder Head · Cylinder	1
Fig. 2	Crankcase	2
Fig. 3	Crankcase Cover	3
Fig. 4	Crank · Piston	4
Fig. 5	Clutch	6
Fig. 6	Transmission	7
Fig. 7	Shifter 1	9
Fig. 8	Shifter 2	10
Fig. 9	Kick Starter	11
Fig. 10	Intake	12
Fig. 11	Carburetor	13
Fig. 12	Exhaust	15
Fig. 13	C.D.I. Magneto	16

CHASSIS

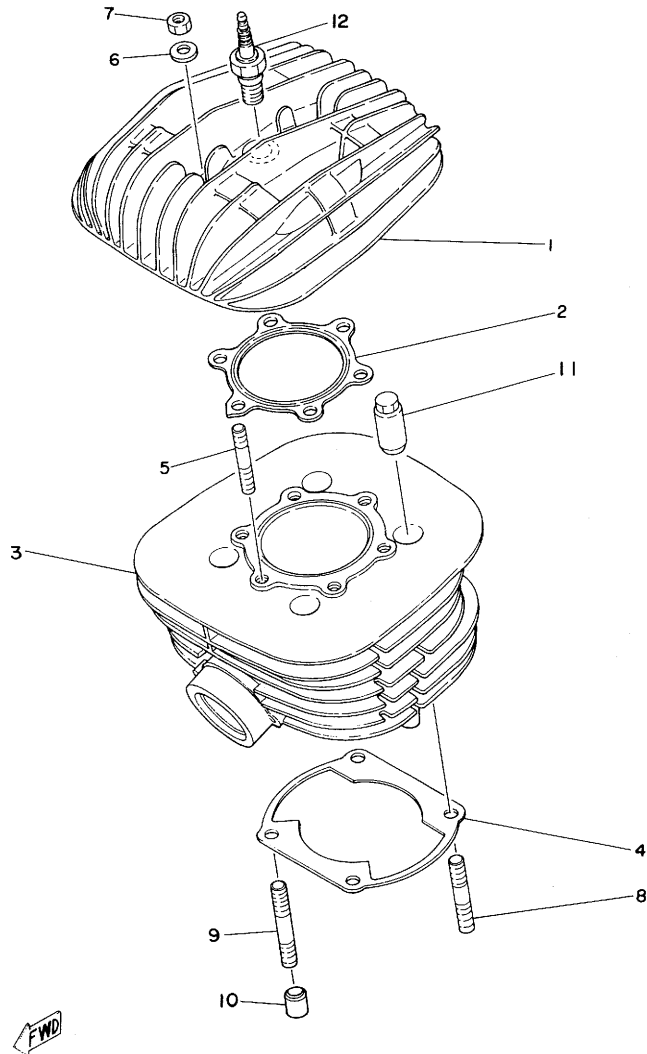
Fig. 14	Frame · Side Cover	17
Fig. 15	Rear Arm	19
Fig. 16	Rear Cushion	21
Fig. 17	Stand · Footrest · Brake Pedal	22
Fig. 18	Front Fender · Rear Fender	23
Fig. 19	Front Fork	24
Fig. 20	Steering	26
Fig. 21	Handle · Wire	27
Fig. 22	Fuel Tank	29
Fig. 23	Seat	30
Fig. 24	Front Wheel	31
Fig. 25	Rear Wheel	32
Fig. 26	Electrical	34

REPAIR KIT

Fig. 27	Repair Kit	36
---------	------------	----

NUMERICAL INDEX

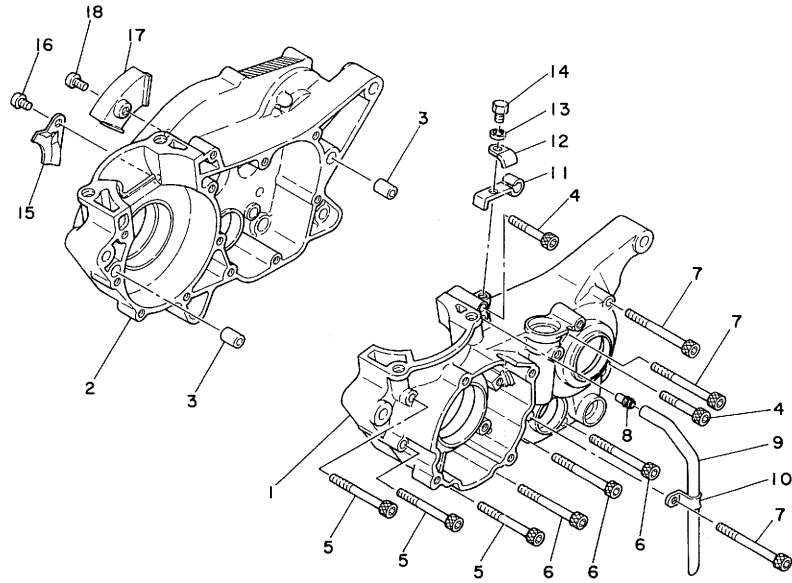
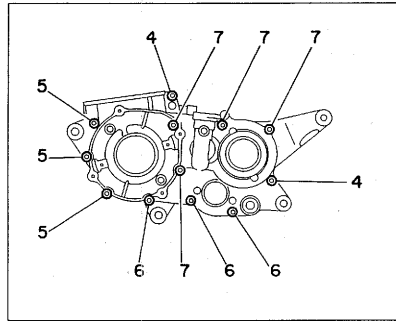
Fig. 1 CYLINDER HEAD · CYLINDER



Ref.No.	Part No.	Description	Q'ty	Remarks
1- 1	2X4-11111-00	HEAD, cylinder	1	
2	1W3-11181-00	GASKET, cylinder head	1	
3	2X4-11311-00	CYLINDER	1	
4	2K7-1135 i-00	GASKET, cylinder	1	
5	90116-08262	BOLT, stud	6	
6	812-11175-00	WASHER, holding (8.5-19-2.6)	6	
7	95301-08600	NUT, hexagon	6	
8	90116-10263	BOLT, stud	2	
9	90116-10258	BOLT, stud	2	
10	91810-16016	PIN, dowel (10.5-14-16)	2	
11	90179-10201	NUT	4	
12	*	PLUG, spark (N2G)	1	CHAMPION
	94703-00051	PLUG, spark (N2G)	1	CHAMPION for Japan

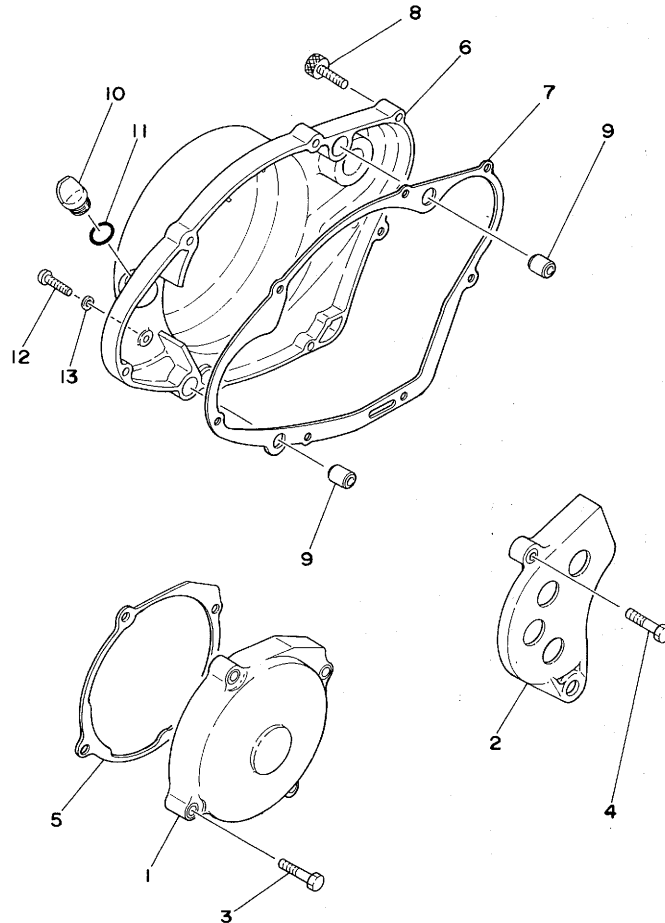
*; The parts marked with * in the part No. column are not supplied with by Yamaha, those have to be found locally.

Fig. 2 CRANKCASE



Ref.No.	Part No.	Description	Q'ty	Remarks
2- 1	2K7-15111-01	CASE, crank left	1	
2	2K7-15121-01	CASE, crank right	1	
3	91830-22016	PIN, dowel (8.4-12-16)	2	
4	91316-06045	BOLT, hexagon sockethead	2	
5	91316-06065	BOLT, hexagon sockethead	3	
6	91316-06070	BOLT, hexagon sockethead	3	
7	91316-06075	BOLT, hexagon sockethead	4	
8	137-13115-00	CONNECTER, suction pipe	1	
9	90445-08376	HOSE (5-270)	1	
10	90462-08043	CLAMP	1	
11	2K7-15441-02	HOLDER, clutch wire	1	
12	90462-08042	CLAMP	1	
13	92901-06100	WASHER, spring	1	
14	97301-06014	BOLT, hexagon	1	
15	2K7-15118-00	HOLDER	1	
16	92501-08010	SCREW, panhead	1	
17	2K7-15113-00	PLATE	1	
18	92501-06010	SCREW, panhead	1	

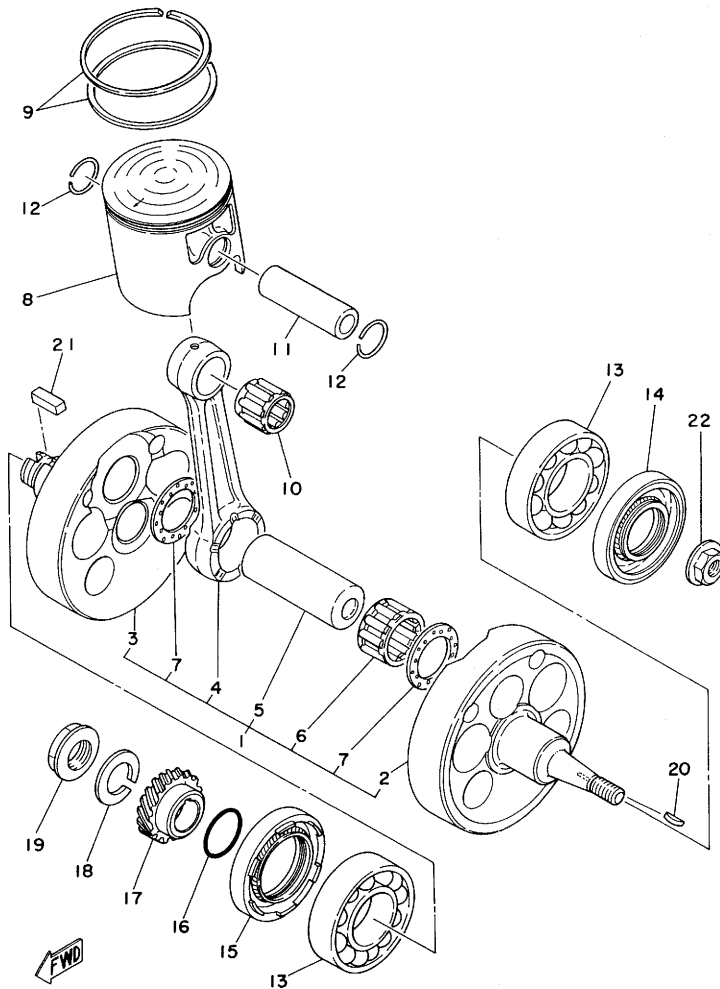
Fig. 3 CRANKCASE COVER



Ref.No.	Part No.	Description	Q'ty	Remarks
3-	1	2K7-15411-00	COVER, crankcase left 1	1
	2	2K7-15421-00	COVER, crankcase left 2	1
	3	91316-06030	BOLT, hexagon sockethead	4
	4	91316-06025	BOLT, hexagon sockethead	1
	5	2K7-15451-00	GASKET, crankcase cover left 1	1
	6	2K7-15431-01	COVER, crankcase right	1
	7	2K7-15462-00	GASKET, crankcase cover right	1
	8	91316-06025	BOLT, hexagon sockethead	7
	9	91830-22016	PIN, dowel (8.4-12-16)	2
	10	1G8-15362-00	PLUG, oil level	1
	11	93210-14104	O-RING (2.4-13.8)	1
	12	92506-06008	SCREW, panhead	1
	13	90430-06016	GASKET (838-15384-00)	1

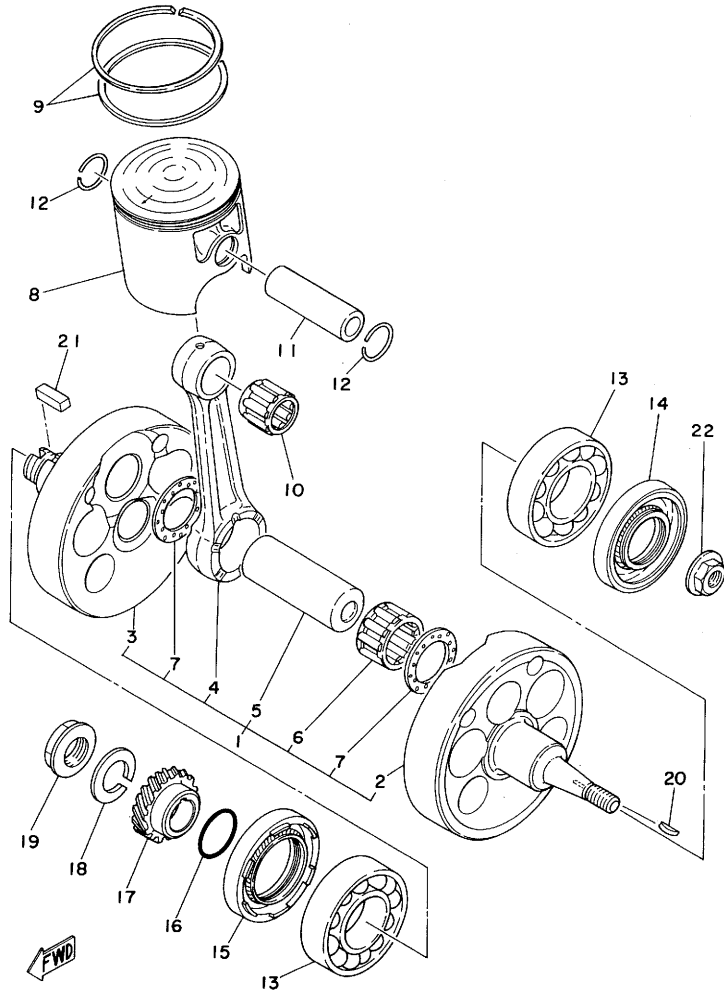
FWD

Fig. 4 CRANK · PISTON



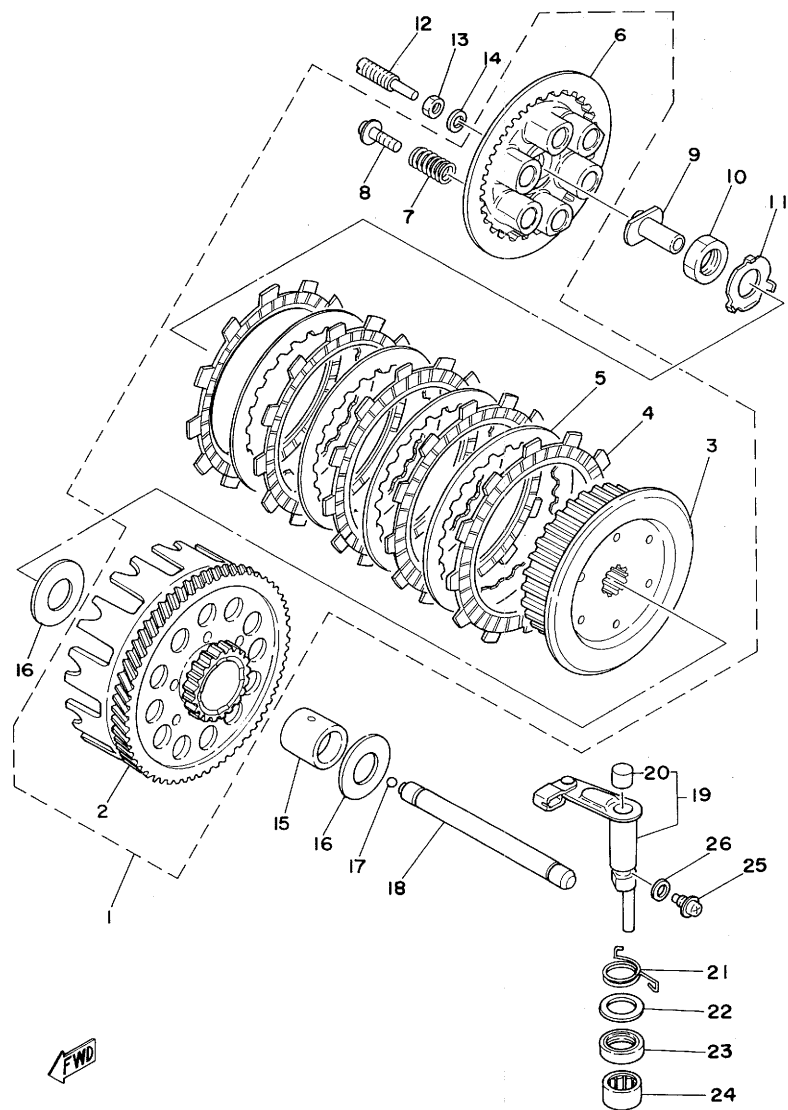
Ref.No.	Part No.	Description	Q'ty	Remarks	
4- 1	2X4-11400-00	CRANK ASS'Y	1		
2	2K7-11412-00	. CRANK, left	1		
3	1W3-11422-00	. CRANK, right	1		
4	498-11651-00	. ROD, connecting	1		
5	2X4-11681-00	. PIN, crank	1		
6	93310-42541	. BEARING, con-rod big end	1		
7	90209-25085	. WASHER (275-11685-00)	2		
8	2K7-11631-00-96	PISTON (69.96mm STD)	} U.R. 1		
	2K7-11631-00-97	PISTON (69.97mm STD)			
	2K7-11635-00	PISTON (70.25mm 1st O.S)		1	Alternate Parts
	2K7-11636-00	PISTON (70.50mm 2nd O.S)		1	Alternate Parts
	2K7-11637-00	PISTON (70.75mm 3rd O.S)		1	Alternate Parts
	2K7-11638-00	PISTON (71.00mm 4th O.S)	1	Alternate Parts	
9	1W5-11601-00	PISTON RING SET (STD)	} U.R. 1s		
	2X7-11601-00	PISTON RING SET (STD)			
	1W5-11601-10	PISTON RING SET (1st O.S)	} U.R. 1s	Alternate Parts	
	2X7-11601-10	PISTON RING SET (1st O.S)			
	1W5-11601-20	PISTON RING SET (2nd O.S)	} U.R. 1s	Alternate Parts	
	2X7-11601-20	PISTON RING SET (2nd O.S)			
	1W5-11601-30	PISTON RING SET (3rd O.S)	} U.R. 1s	Alternate Parts	
	2X7-11601-30	PISTON RING SET (3rd O.S)			
	1W5-11601-40	PISTON RING SET (4th O.S)	} U.R. 1s	Alternate Parts	
	2X7-11601-40	PISTON RING SET (4th O.S)			
10	93310-21874	BEARING, con-rod small end	1		
11	214-11633-00	PIN, piston	1		
12	93450-19052	CIRCLIP (19φ special)	2		
13	93306-20619	BEARING (B6206C3)	2		
14	93103-30092	OIL SEAL (SW-30-55-10)	1		
15	93103-40091	OIL SEAL (SW-40-55-10)	1		
16	93210-29282	O-RING (1.9-29.5)	1		
17	2K7-16111-00	GEAR, primary drive (23T)	1		
18	92901-18100	WASHER, spring	1		
19	90179-18172	NUT	1		

Fig.4 CRANK · PISTON



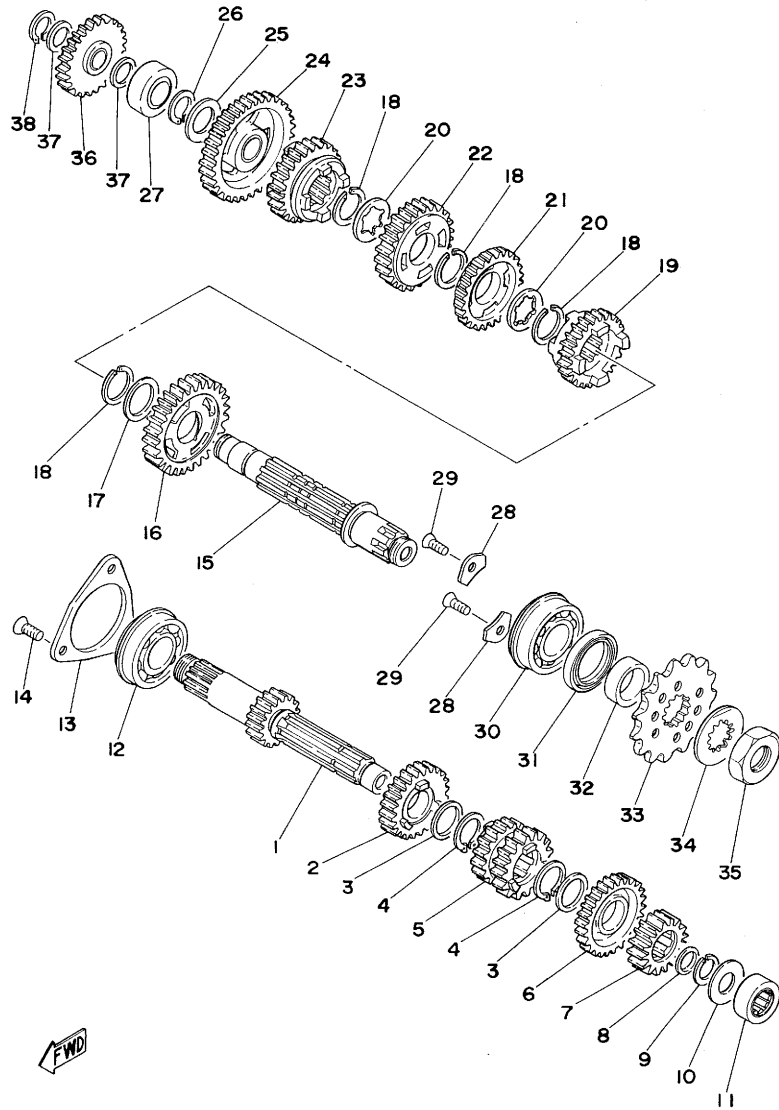
Ref.No.	Part No.	Description	Q'ty	Remarks
4-20	90280-03017	KEY, woodruff (146-11545-00)	1	
21	90282-07019	KEY, straight	1	
22	90179-10257	NUT	1	

Fig. 5 CLUTCH



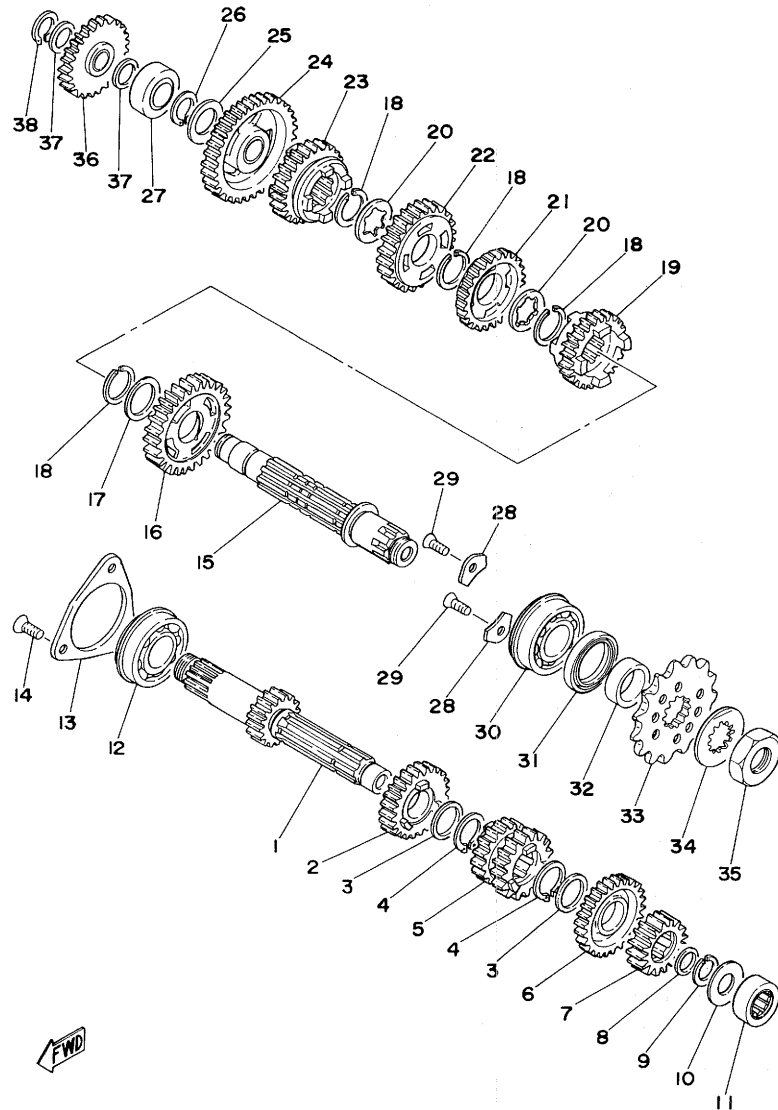
Ref.No.	Part No.	Description	Q'ty	Remarks
5- 1	2X4-16301-00	CLUTCH ASS'Y	1	
2	2K7-16150-00	. PRIMARY DRIVEN GEAR COMP.	1	
3	2K7-16371-00	. BOSS, clutch	1	
4	383-16321-00	. PLATE, friction	5	
5	168-16324-00	. PLATE, clutch	4	
6	2K7-16351-00	. PLATE, pressure	1	
7	90501-24549	. SPRING, compression	6	
8	90159-06016	. SCREW, with washer	6	
9	2K7-16356-00	ROD, push 1	1	
10	90170-20195	NUT, hexagon	1	
11	90215-20125	WASHER, lock	1	
12	90149-06123	SCREW	1	
13	95301-06600	NUT, hexagon	1	
14	92901-06100	WASHER, spring	1	
15	2K7-16181-00	SPACER	1	
16	2K7-16154-00	PLATE, thrust 1	2	
17	93515-32029	BALL (15/32 inch)	1	
18	2K7-16357-00	ROD, push 2	1	
19	2X4-16380-00	PUSH LEVER ASS'Y	1	
20	214-17481-00	. PLUG, blind	1	
21	90508-14373	SPRING, torsion	1	
22	90201-17327	WASHER, plate	1	
23	93102-17004	OIL SEAL (SD-17-28-6)	1	
24	93315-21721	BEARING	1	
25	90149-08108	SCREW	1	
26	90430-08069	GASKET (425-16387-00)	1	

Fig. 6 TRANSMISSION



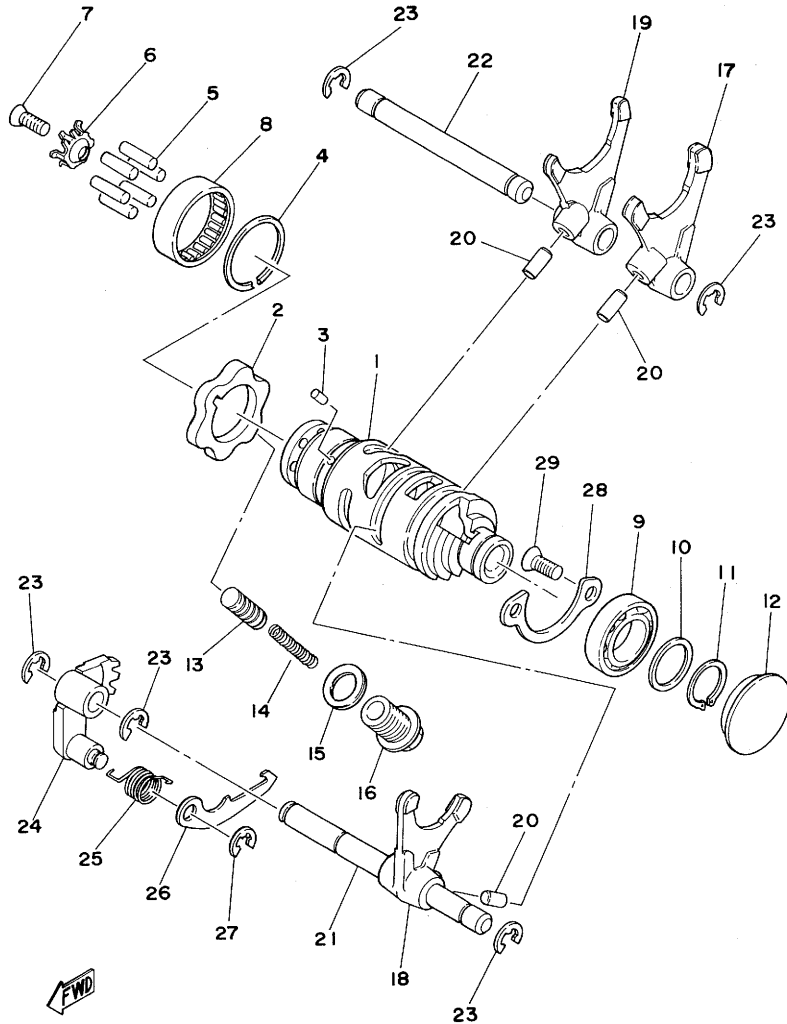
Ref.No.	Part No.	Description	Q'ty	Remarks
6- 1	2X4-17411-00	AXLE, main (14T)	1	
2	2X4-17151-00	GEAR, 5th pinion (22T)	1	
3	90201-22555	WASHER, plate (22-27-0.5)	2	
4	93410-22039	CIRCLIP (S-22)	2	
5	2X4-17131-00	GEAR, 3rd/4th pinion (18T;20T)	1	
6	2X7-17161-00	GEAR, 6th pinion (24T)	1	
7	2K7-17121-00	GEAR, 2nd pinion (16T)	1	
8	90201-17682	WASHER, plate (17.3-22-1.5)	1	
9	93440-17064	CIRCLIP (17φ special)	1	
10	90201-17257	WASHER, plate (306-15561-00)	1	
11	93311-41734	BEARING	1	
12	93306-20515	BEARING (B6205)	1	
13	1W4-15383-00	PLATE, bearing cover	1	
14	92701-06012	SCREW, flathead	3	
15	2K7-17421-00	AXLE, drive	1	
16	2K7-17221-01	GEAR, 2nd wheel (29T)	1	
17	90201-25287	WASHER, plate (25.2-30-1.0)	1	
18	93440-25019	CIRCLIP (25φ special)	4	
19	2X7-17261-00	GEAR, 6th wheel (21T)	1	
20	90209-22082	WASHER (434-17216-00)	2	
21	2X4-17241-00	GEAR, 4th wheel (24T)	1	
22	2K7-17231-00	GEAR, 3rd wheel (26T)	1	
23	2X4-17251-00	GEAR, 5th wheel (22T)	1	
24	2X4-17211-00	GEAR, 1st wheel (30T)	1	
25	90201-20278	WASHER, plate (168-17116-00)	1	
26	93410-20038	CIRCLIP (S-20)	1	
27	93311-62035	BEARING	1	
28	2K7-15383-00	PLATE, bearing cover	2	
29	92701-06012	SCREW, flathead	2	
30	93304-20501	BEARING (B4205)	1	
31	93102-32136	OIL SEAL (SD-32-42-6)	1	
32	90387-25663	COLLAR (25-32-11.2)	1	

Fig. 6 TRANSMISSION



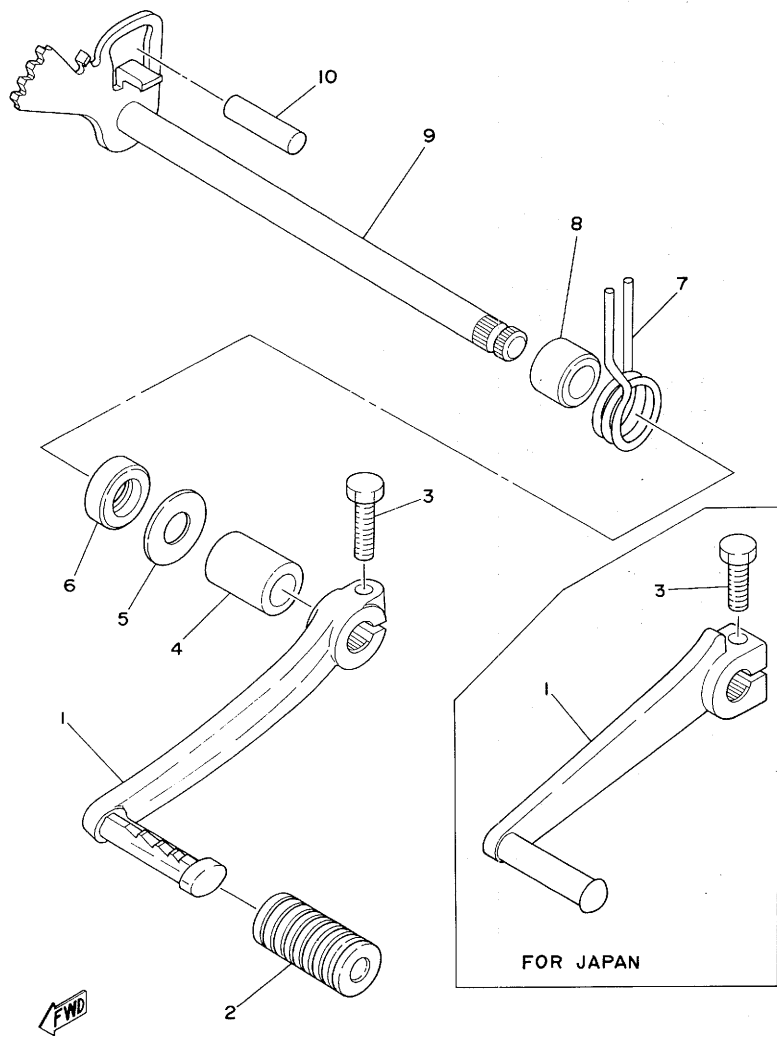
Ref.No.	Part No.	Description	Q'ty	Remarks
6-33	1W4-17461-30	SPROCKET, drive (13T)	U.R. 1	STD
	1W4-17461-40	SPROCKET, drive (14T)		
	1W4-17461-50	SPROCKET, drive (15T)		
34	90215-21121	WASHER, lock	1	
35	90179-20255	NUT	1	
36	2K7-15651-00	GEAR, kick idle (21T)	1	
37	90201-17545	WASHER, plate	2	
38	93410-17008	CIRCLIP (S-17)	1	

Fig.7 SHIFTER 1



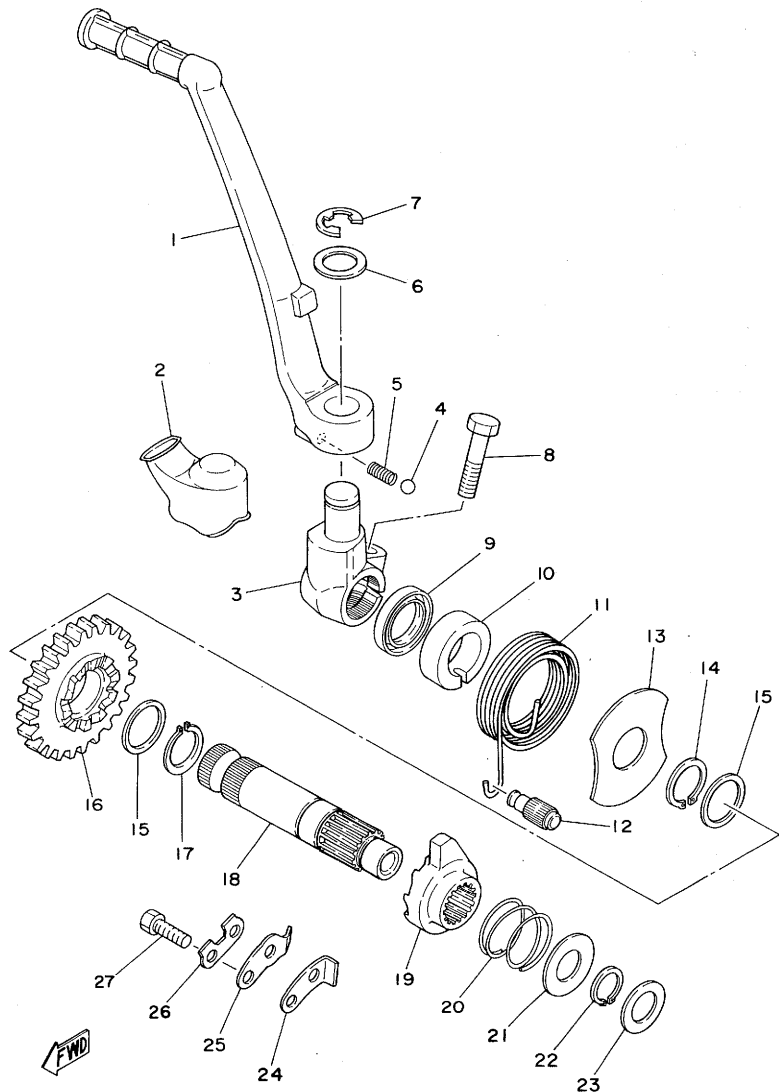
Ref.No.	Part No.	Description	Q'ty	Remarks
7- 1	2K7-18541-00	CAM, shift	1	
2	2K7-18141-00	PLATE, stopper	1	
3	93604-08071	PIN, dowel (4-8)	1	
4	93440-32017	CIRCLIP (32φ special)	1	
5	93604-18100	PIN, dowel (4-18)	6	
6	2K9-18561-00	PLATE, side	1	
7	98701-05012	SCREW, flathead	1	
8	93315-23208	BEARING	1	
9	93306-90401	BEARING	1	
10	90201-20613	WASHER, plate (20.2-25.5-1.5)	1	
11	93410-19015	CIRCLIP (S-19)	1	
12	90338-32086	PLUG	1	
13	353-18547-00	STOPPER, cam	1	
14	90501-10062	SPRING, compression (278-18557-00)	1	
15	214-11198-01	GASKET, drain plug	1	
16	90109-14390	BOLT	1	
17	2K7-18511-00	FORK, shift 1	1	
18	2K7-18512-00	FORK, shift 2	1	
19	2K7-18513-00	FORK, shift 3	1	
20	93606-14140	PIN, dowel (6-13.5)	3	
21	2K7-18531-00	BAR, shift fork guide 1	1	
22	2K7-18535-01	BAR, shift fork guide 2	1	
23	93430-08006	CIRCLIP (E-8)	5	
24	2K7-18122-01	LEVER, change 2	1	
25	90508-10386	SPRING, torsion	1	
26	2K7-18151-00	LEVER, change 3	1	
27	93430-07012	CIRCLIP (E-7)	1	
28	2K7-15381-00	PLATE, bearing cover	1	
29	92701-06012	SCREW, flathead	2	

Fig. 8 SHIFTER 2



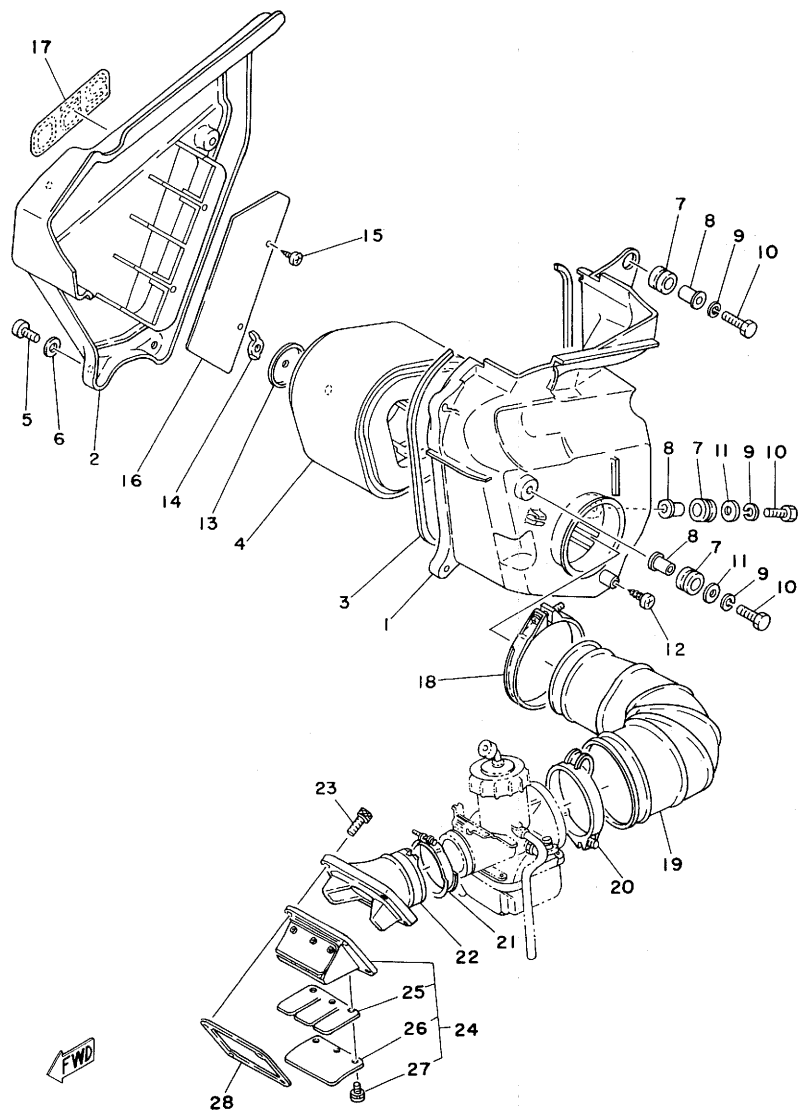
Ref.No.	Part No.	Description	Q'ty	Remarks
8- 1	2K7-18111-00-33	PEDAL, change	1	Yamaha Black for Japan Yamaha Black
	2K7-18111-10-33	PEDAL, change	1	
2	132-18113-01	COVER, change pedal	1	
3	97321-06025	BOLT, hexagon	1	for Japan
	97321-06020	BOLT, hexagon	1	
4	90560-12179	SPACER	1	
5	90201-12588	WASHER, plate (12-28-1)	1	
6	93101-12004	OIL SEAL (S-12-22-5)	1	
7	90508-32374	SPRING, torsion	1	
8	90560-12171	SPACER	1	
9	2K7-18101-00	CHANGE SHAFT ASS'Y	1	
10	93608-30128	PIN, dowel (8-30)	1	

Fig. 9 KICK STARTER



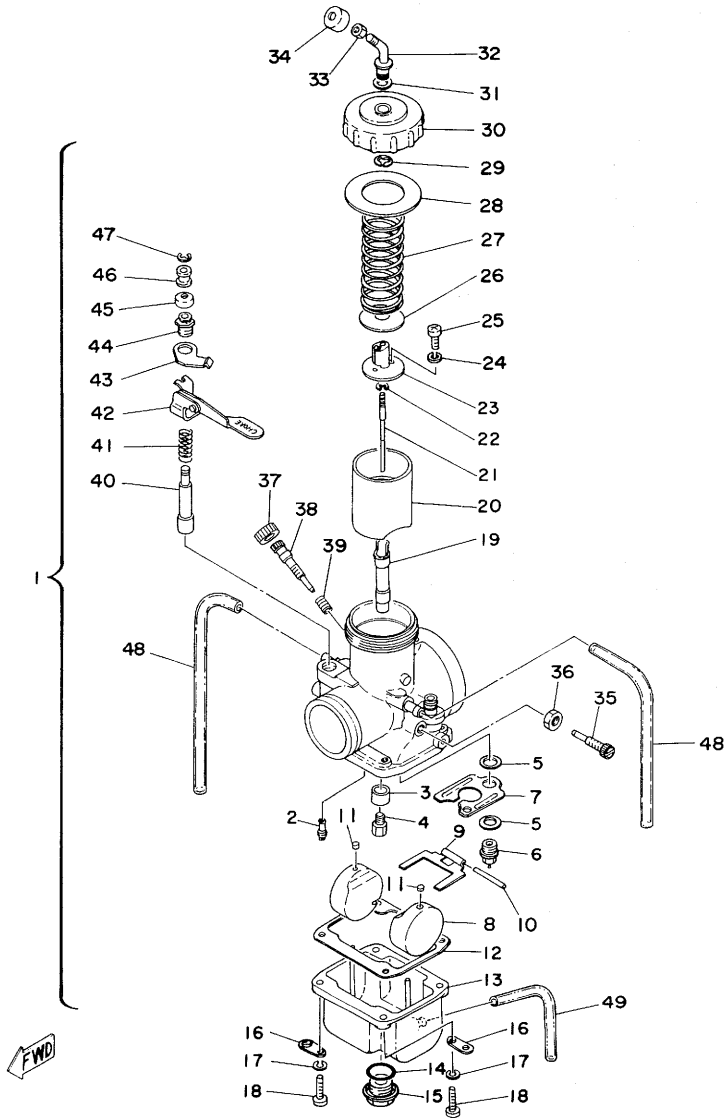
Ref.No.	Part No.	Description	Q'ty	Remarks
9- 1	2K7-15611-00-33	CRANK, kick	1	Yamaha Black
2	2K7-15618-00	COVER, kick lever	1	
3	2K7-15621-00	BOSS, kick crank	1	
4	93507-32009	BALL (7/32 inch)	1	
5	90501-12081	SPRING, compression (278-15622-00)	1	
6	90201-15234	WASHER, plate (278-15613-00)	1	
7	93430-10016	CIRCLIP (E-10)	1	
8	97311-08030	BOLT, hexagon	1	
9	93109-20014	OIL SEAL (SDO-20-30-4.5)	1	
10	2K7-15664-00	GUIDE, spring	1	
11	90508-32061	SPRING, torsion (291-15665-00)	1	
12	248-15668-00	STOPPER, kick spring	1	
13	2K7-15676-00	COVER, spring	1	
14	93410-20009	CIRCLIP (S-20)	1	
15	90201-20685	WASHER, plate (20-25-0.5)	2	
16	2K7-15641-01	GEAR, kick (24T)	1	
17	93410-20038	CIRCLIP	1	
18	2K7-15661-01	AXLE, kick	1	
19	2K7-15671-01	WHEEL, ratchet	1	
20	90501-16107	SPRING, compression (168-15675-00)	1	
21	168-15676-00	COVER, spring	1	
22	93410-15005	CIRCLIP (S-15)	1	
23	132-15644-00	SHIM	1	
24	2K7-15668-00	STOPPER, kick	1	
25	214-15674-00	GUIDE, ratchet wheel	1	
26	214-15686-00	WASHER, lock	1	
27	97310-06016	BOLT, hexagon	2	

Fig. 10 INTAKE



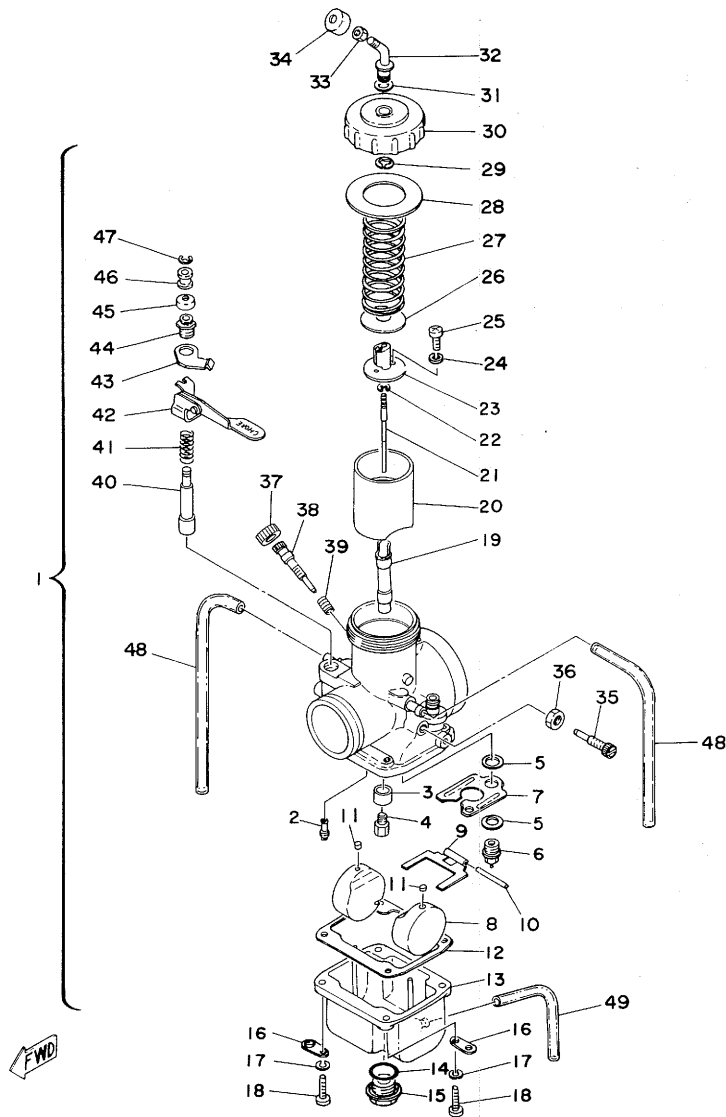
Ref.No.	Part No.	Description	Q'ty	Remarks
10- 1	2X4-14411-00	CASE, air cleaner	1	
	2	2X4-14412-01	1	Competition Yellow
	2X4-14412-10	CAP, case	1	Clean White
	3	2K7-14452-00	1	SEAL
	4	2X4-14450-00	1	AIR CLEANER ELEMENT ASS'Y
	5	92501-06015	4	SCREW, panhead
	6	92901-06600	4	WASHER, plate
	7	90480-14102	3	GROMMET (214-21717-00)
	8	90387-07391	3	COLLAR (437-21633-00)
	9	92901-06100	3	WASHER, spring
	10	97301-06025	3	BOLT, hexagon
	11	90201-06067	2	WASHER, plate (6.5-20-1.6)
	12	90163-06001	1	SCREW, tapping
	13	2X4-14468-00	1	PLATE ELEMENT SET
	14	90175-06012	1	NUT, wing
	15	97701-40512	2	SCREW, panhead tapping
	16	2X4-14477-00	1	PLATE
	17	2X4-21737-00	1	EMBLEM 250
	18	90460-85138	1	CLAMP, hose
	19	2K7-14453-00	1	JOINT, air cleaner
	20	90460-68120	1	CLAMP, hose
	21	90460-51109	1	CLAMP, hose
	22	2K7-13565-00	1	JOINT, carburetor
	23	91316-06020	4	BOLT, hexagon socket head
	24	2K7-13610-00	1	REED VALVE ASS'Y
	25	2K7-13613-00	2	. REED VALVE
	26	2K7-13616-00	2	. STOPPER, reed valve
	27	97601-03108	6	. SCREW, panhead with washer
	28	2K7-13621-00	1	PACKING, valve seat

Fig. 11 CARBURETOR



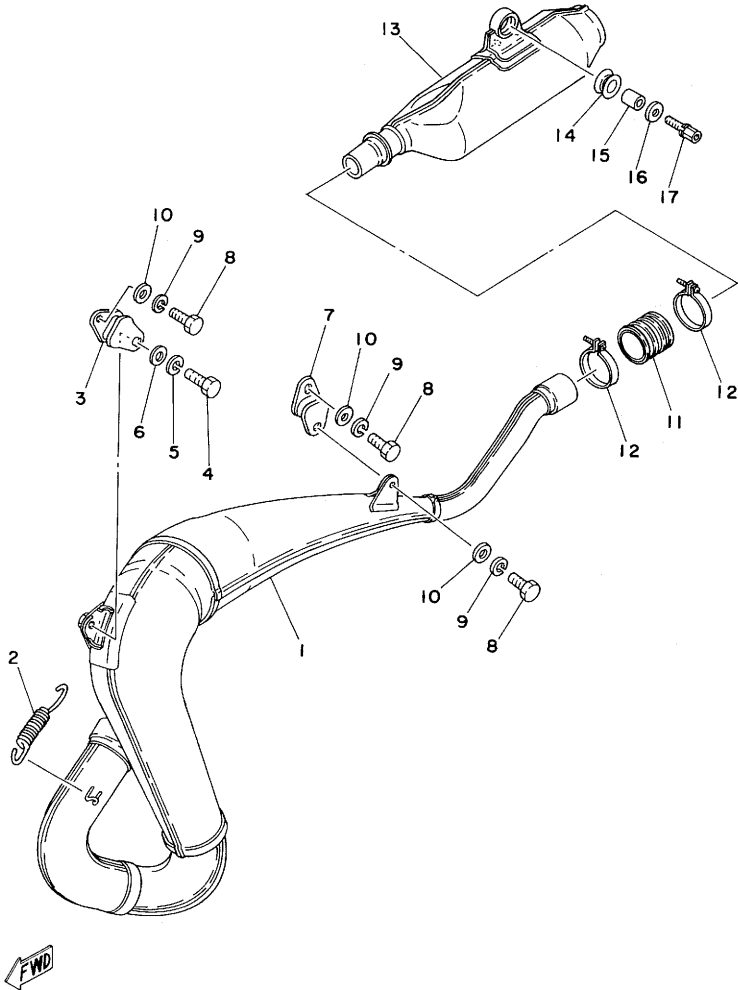
Ref.No.	Part No.	Description	Qty	Remarks
11- 1	2X4-14101-00	CARBURETOR ASS'Y	1	
2	193-14142-50	. JET, pilot (#50)	1	
3	1W5-14153-00	. WASHER, main jet	1	
4	137-14143-78	. JET, main (#390)	U.R. 1	STD
	137-14143-80	. JET, main (#400)		
	137-14143-82	. JET, main (#410)		
5	239-14195-00	. WASHER, valve seat	2	
6	363-14190-35	. VALVE SEAT ASS'Y (3.5)	1	
7	510-14146-00	. PLATE	1	
8	214-14185-00	. FLOAT	2	
9	363-14187-00	. ARM, float	1	
10	127-14186-00	. PIN, float	1	
11	214-14118-00	. CAP	2	
12	363-14184-00	. GASKET, float chamber	1	
13	510-14181-16	. BODY, float chamber	1	
14	558-14147-00	. O-RING	1	
15	500-14115-00	. PLUG, screw	1	
16	313-14146-00	. PLATE	2	
17	92901-05100	. WASHER, spring	4	
18	98501-05016	. SCREW, panhead	4	
19	510-14141-50	. NOZZLE, main (Q-0)	1	
20	510-14112-30	. VALVE, throttle (3.0)	1	
21	239-14116-16	. NEEDLE (6F16-4)	1	
22	164-14137-00	. CLIP	1	
23	509-14274-00	. CONNECTOR	1	
24	92901-03100	. WASHER, spring	2	
25	98501-03008	. SCREW, panhead	2	
26	509-14136-00	. SEAT	1	
27	363-14131-00	. SPRING, throttle valve	1	
28	363-14126-00	. PACKING	1	
29	363-14137-00	. CLIP	1	
30	1W3-14158-00	. TOP, mixing chamber	1	
31	509-14198-00	. GASKET	1	

Fig. 11 CARBURETOR



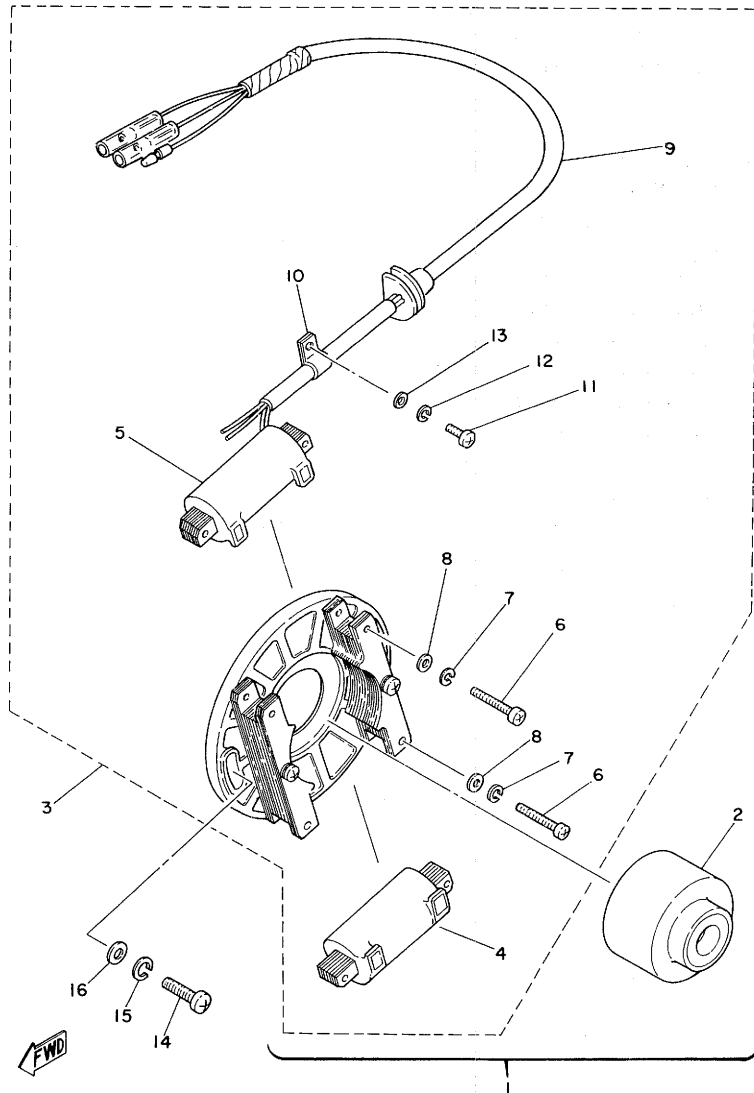
Ref.No.	Part No.	Description	Q'ty	Remarks
11-32	509-14155-01	. TUBE, guide wire	1	
33	127-14161-00	. NUT, wire adjusting	1	
34	1M1-14169-00	. CAP	1	
35	2A0-14122-00	. SCREW, throttle	1	
36	802-14161-00	. NUT, wire adjusting	1	
37	1W1-14968-00	. CAP	1	
38	1W3-14123-00	. SCREW, air adjusting	1	
39	137-14133-00	. SPRING, air adjusting	1	
40	1W1-14171-00	. PLUNGER, starter	1	
41	256-14135-00	. SPRING, plunger	1	
42	1W3-14175-00	. LEVER, starter	1	
43	1W3-14178-00	. PLATE, starter spring	1	
44	802-14174-00	. CAP, plunger	1	
45	802-14173-00	. CAP	1	
46	737-14241-00	. BUSHING, starter plunger	1	
47	737-14137-00	. CIRCLIP	1	
48	310-14197-00	. PIPE, air vent	2	
49	2K7-14197-00	. PIPE, over flow	1	

Fig. 12 EXHAUST



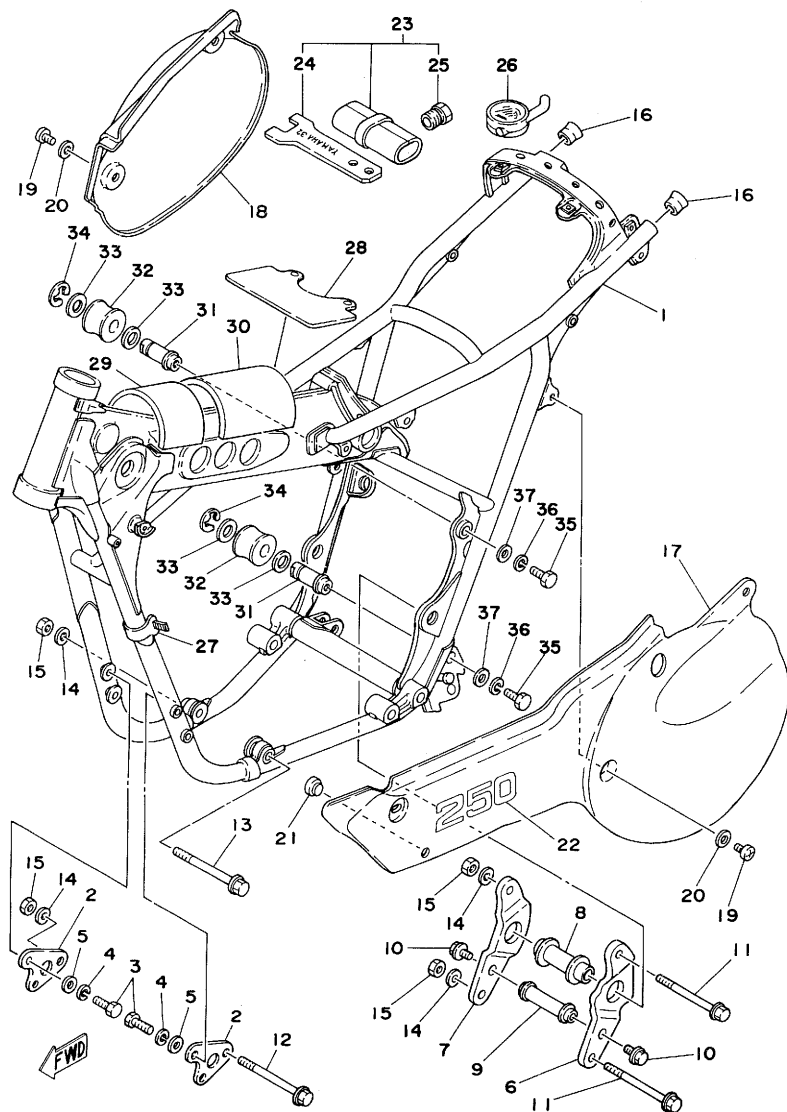
Ref.No.	Part No.	Description	Q'ty	Remarks
12- 1	2X4-14610-03	EXHAUST PIPE ASS'Y	1	
2	90507-20030	SPRING, tension	2	
3	483-14781-00	STAY, silencer	1	
4	97301-08020	BOLT, hexagon	1	
5	92901-08100	WASHER, spring	1	
6	92901-08600	WASHER, plate	1	
7	565-14771-00	STAY, muffler	1	
8	97301-06016	BOLT, hexagon	3	
9	92901-06100	WASHER, spring	3	
10	92901-06600	WASHER, plate	3	
11	1M1-14714-00	GASKET, muffler joint	1	
12	90460-43053	CLAMP, hose (396-14456-00)	2	
13	2X4-14753-00	SILENCER	1	
	2X4-14753-10	SILENCER	1	for Europe
14	565-14747-00	DAMPER, muffler	1	
15	90387-08258	COLLAR (8.3-15-15)	1	
16	90201-08113	WASHER, plate (611-48556-30 8.2-26-2)	1	
17	90109-08512	BOLT, hexagon	1	

Fig.13 C. D. I. MAGNETO



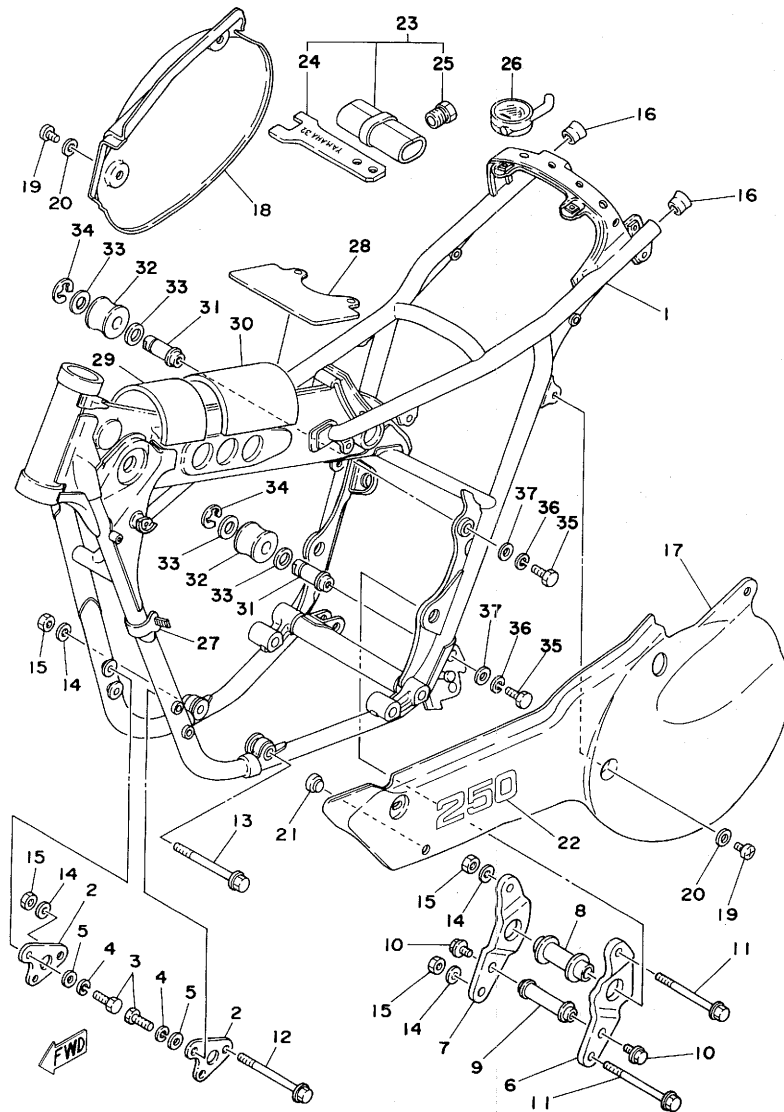
Ref.No.	Part No.	Description	Q'ty	Remarks
13-	1	2X4-85500-10	C.D.I. MAGNETO ASS'Y	1
2	2X4-85550-10	.. ROTOR ASS'Y	1	
3	2X4-85510-10	.. STATOR ASS'Y	1	
4	2X6-85566-10	.. COIL, charge 1	1	
5	2X6-85567-10	.. COIL, charge 2	1	
6	98501-05030	.. SCREW, panhead	6	
7	92901-05100	.. WASHER, spring	6	
8	92901-05600	.. WASHER, plate	6	
9	2X4-85515-10	.. LEAD WIRE ASS'Y	1	
10	109-81328-11	.. CLAMP, lead	1	
11	98501-04008	.. SCREW, panhead	1	
12	92901-04100	.. WASHER, spring	1	
13	92901-04600	.. WASHER, plate	1	
14	92501-06025	SCREW, panhead	2	
15	92901-06100	WASHER, spring	2	
16	92901-06600	WASHER, plate	2	

Fig.14 FRAME · SIDE COVER



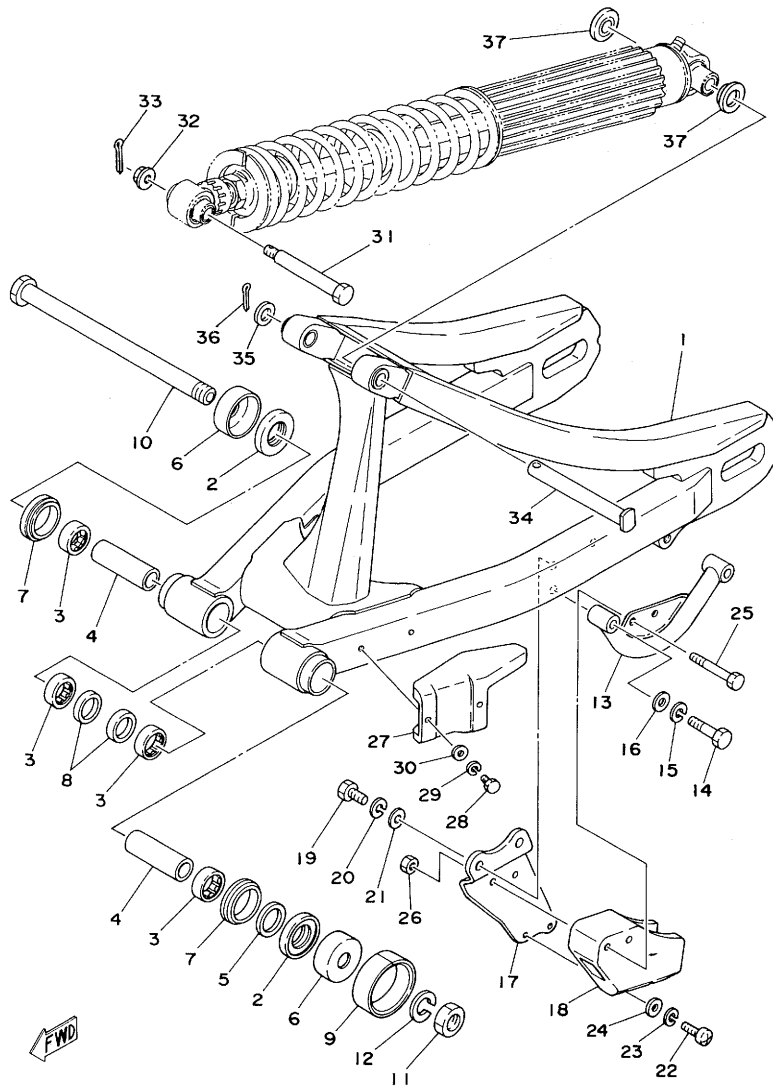
Ref.No.	Part No.	Description	Q'ty	Remarks
14- 1	2X4-21110-00-33	FRAME COMP.	1	Yamaha Black
2	2X4-21415-00	BRACKET, front upper	2	
3	97301-08025	BOLT, hexagon	4	
4	92901-08100	WASHER, spring	4	
5	92901-08600	WASHER, plate	4	
6	2X4-21427-01	BRACKET, rear under left	1	
7	2X4-21428-00	BRACKET, rear under right	1	
8	2K7-21459-00	SPACER, engine mount upper	1	
9	2K7-21424-00	BOSS, engine mount	1	
10	95801-08016	BOLT, flange	2	
11	95811-08090	BOLT, flange	2	
12	95811-08100	BOLT, flange	1	
13	95811-08180	BOLT, flange	1	
14	92901-08200	WASHER, plain	4	
15	90185-08054	NUT, U	4	
16	90339-13005	PLUG	2	
17	2X4-21711-00-98	COVER, side left	1	Competition Yellow /Low Gloss Black
	2X4-21711-10-98	COVER, side left	1	Clean White /Low Gloss Black
18	2X4-21721-00-98	COVER, side right	1	Competition Yellow /Low Gloss Black
	2X4-21721-10-98	COVER, side right	1	Clean White /Low Gloss Black
19	98901-06012	SCREW, bind	5	
20	90201-06571	WASHER, plate (6.5-20-1.6)	5	
21	431-24181-00	DAMPER, side cover	3	
22	2X4-21737-00	EMBLEM 250	1	
23	2K7-28100-10	TOOL ASS'Y	1	
24	1W1-28135-00	. SPANNER, special	1	
25	2K7-85555-00	. ROTOR, puller	1	
26	2X4-2811A-00	GAUGE, fork air chamber	1	
27	2X4-2811A-10	GAUGE, fork air chamber	1	for Japan
	803-82591-00	BAND, switch cord	1	
28	1W1-24181-00	DAMPER, locating 1	1	
29	1W1-24183-00	DAMPER, locating 3	1	
30	2X4-24183-00	DAMPER, locating 3	1	
31	2K6-2148A-02	SHAFT	2	
32	2K6-22178-00	TENSIONER	2	

Fig.14 FRAME · SIDE COVER



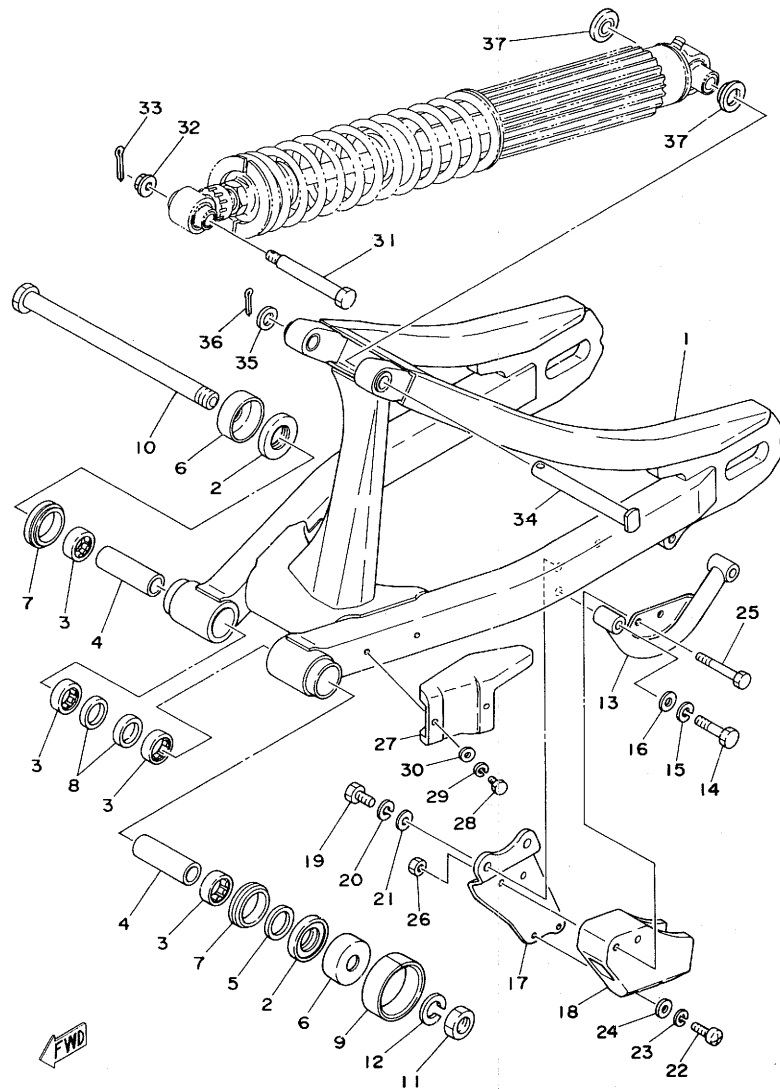
Ref.No.	Part No.	Description	Q'ty	Remarks
14-33	90201-13202	WASHER, plain (201-15653-00)	4	
34	1W1-18136-00	CLIP	2	
35	97301-08020	BOLT, hexagon	2	
36	92901-08100	WASHER, spring	2	
37	92901-08200	WASHER, plain	2	

Fig. 15 REAR ARM



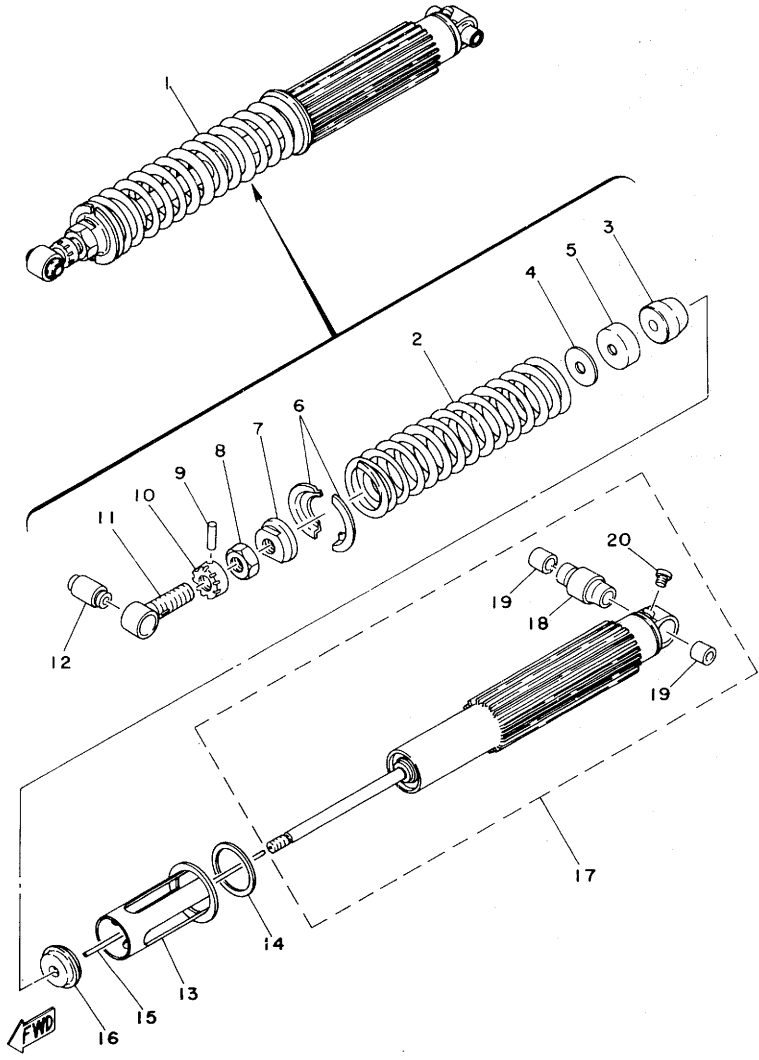
Ref.No.	Part No.	Description	Q'ty	Remarks
15- 1	2X4-22110-00-35	REAR ARM COMP.	1	Silver
2	93342-22205	BEARING	2	
3	93317-22214	BEARING	4	
4	90380-16056	BUSHING	2	
5	648-45533-00-03	WASHER, plate	U.N.	
6	2X4-22129-00	COVER, thrust 2	2	
7	93108-35004	OIL SEAL (OSO-35-41.5-8)	2	
8	93109-22018	OIL SEAL (SDO-22-29-4)	2	
9	2W6-22151-00	SEAL, guard	1	
10	1W4-22141-00	SHAFT, pivot	1	
11	90170-16111	NUT, hexagon	1	
12	92901-16100	WASHER, spring	1	
13	2X4-22153-00	GUARD, chain	1	
14	97301-08035	BOLT, hexagon	2	
15	92901-08100	WASHER, spring	2	
16	92901-08600	WASHER, plate	2	
17	2X4-22179-00	ARM, tensioner	1	
18	2X4-22199-00	SUPPORT, chain	1	
19	97301-08016	BOLT, hexagon	2	
20	92901-08100	WASHER, spring	2	
21	92901-08600	WASHER, plate	2	
22	92501-06020	SCREW, panhead	2	
23	92901-06100	WASHER, spring	2	
24	92901-06600	WASHER, plate	2	
25	97301-06050	BOLT, hexagon	2	
26	95601-06100	NUT, U	2	
27	2X4-22147-00	PROTECTOR, chain	1	
28	97301-05010	BOLT, hexagon	2	
29	92901-05100	WASHER, spring	2	
30	92901-05200	WASHER, plain	2	
31	90109-08480	BOLT	1	
32	90179-08243	NUT	1	
33	91401-20015	PIN, cotter	1	

Fig. 15 REAR ARM



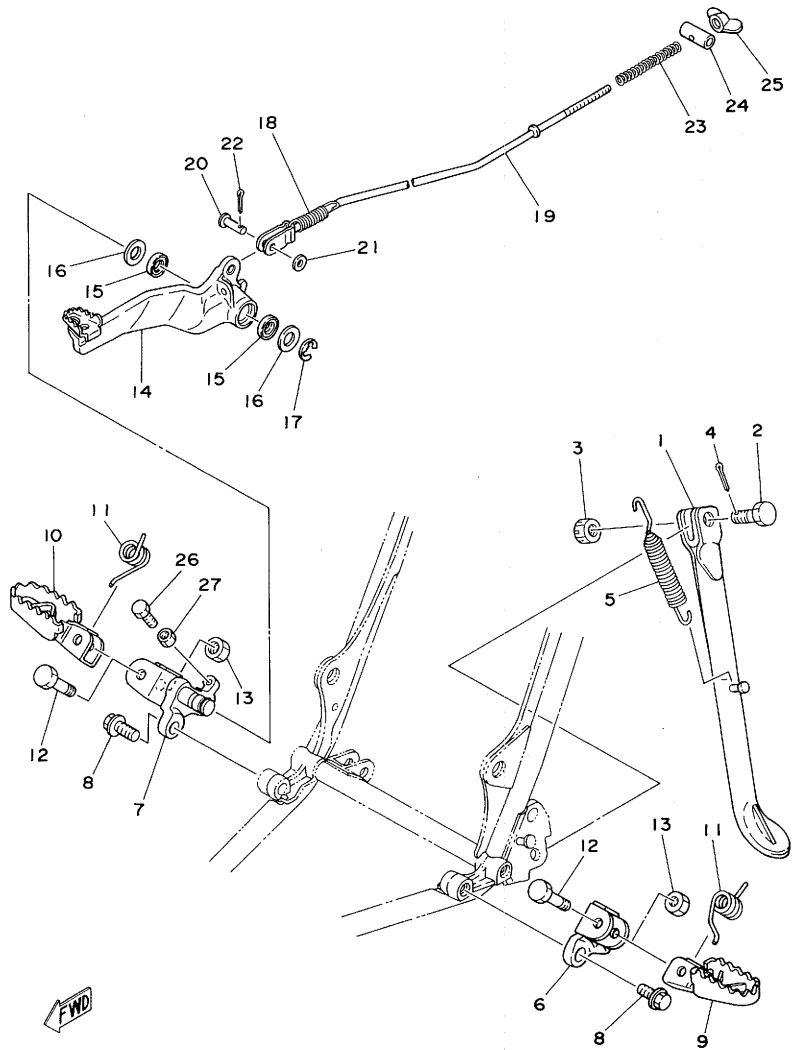
Ref.No.	Part No.	Description	Q'ty	Remarks
15-34	90240-12060	PIN, with hole	1	
35	92901-12600	WASHER, plate (183-22142-10)	1	
36	91401-30022	PIN, cotter	1	
37	1W1-22128-00	COVER, thrust	2	

Fig. 16 REAR CUSHION



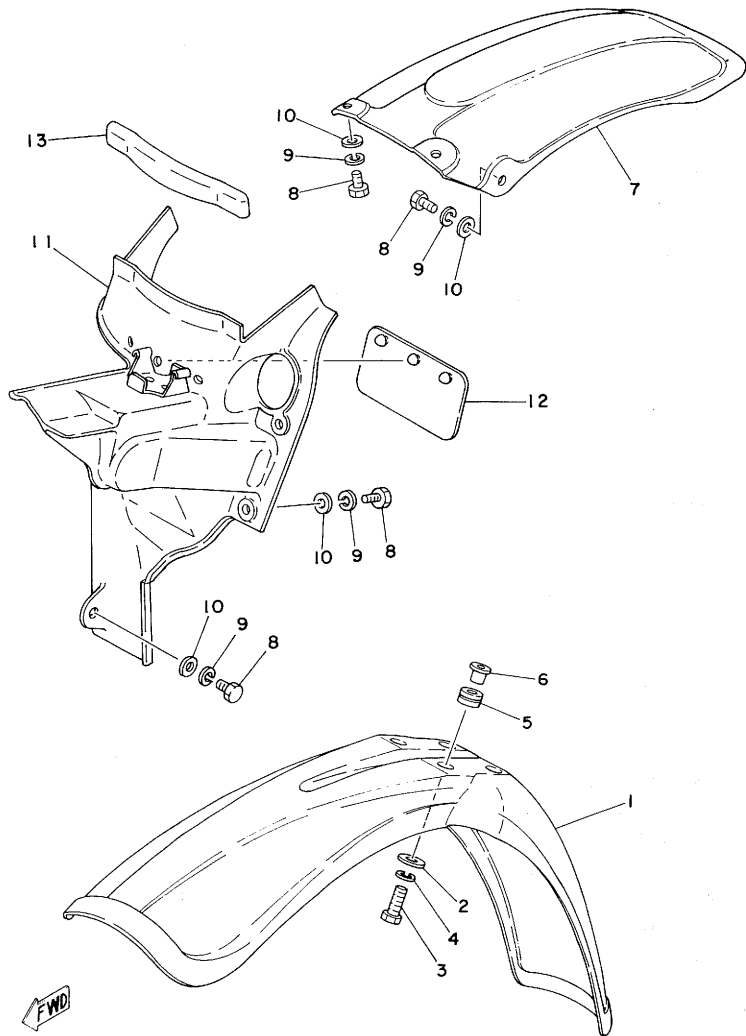
Ref.No.	Part No.	Description	Q'ty	Remarks
16- 1	2X4-22210-00	REAR CUSHION ASS'Y	1	
2	90501-99479	SPRING, compression (K ₁ =2.55 K ₂ =5.03 kg/mm)	1	STD (Painted Blue)
3	2X4-22493-00	STOPPER, bump	1	
4	2X4-22228-00	SUPPORT, bump stop	1	
5	2X4-22221-00	COVER, bump stop	1	
6	2K6-22214-00	GUIDE, spring upper	2	
7	2K6-22213-00	SEAT, spring upper	1	
8	90170-20213	NUT, hexagon	1	
9	93604-26132	PIN, dowel (3.5-25.8)	1	
10	1W1-22497-00	NUT, adjusting	1	
11	2X4-22219-00	BRACKET, upper	1	
12	1W1-22216-00	BUSHING, upper bracket	1	
13	2X4-22224-00	GUIDE, spring 2	1	
14	2X4-22223-00	SEAT, spring under	1	
15	2X4-22489-00	ROD, push	1	
16	2X4-22472-00	CAP, case	1	
17	2X4-22401-00	DAMPER SUB ASS'Y	1	
18	1W1-22226-00	BUSHING, lower	1	
19	90380-12051	BUSHING, solid	2	
20	98501-04005	SCREW, panhead	1	
ALTERNATE PARTS				
2	90501-99481	SPRING, compression (K ₁ =2.09 K ₂ =4.91 kg/mm)	1	Soft (Painted Yellow)
	90501-99480	SPRING, compression (K ₁ =2.96 K ₂ =5.05 kg/mm)	1	Hard (Painted Red)

Fig. 17 STAND · FOOTREST · BRAKE PEDAL



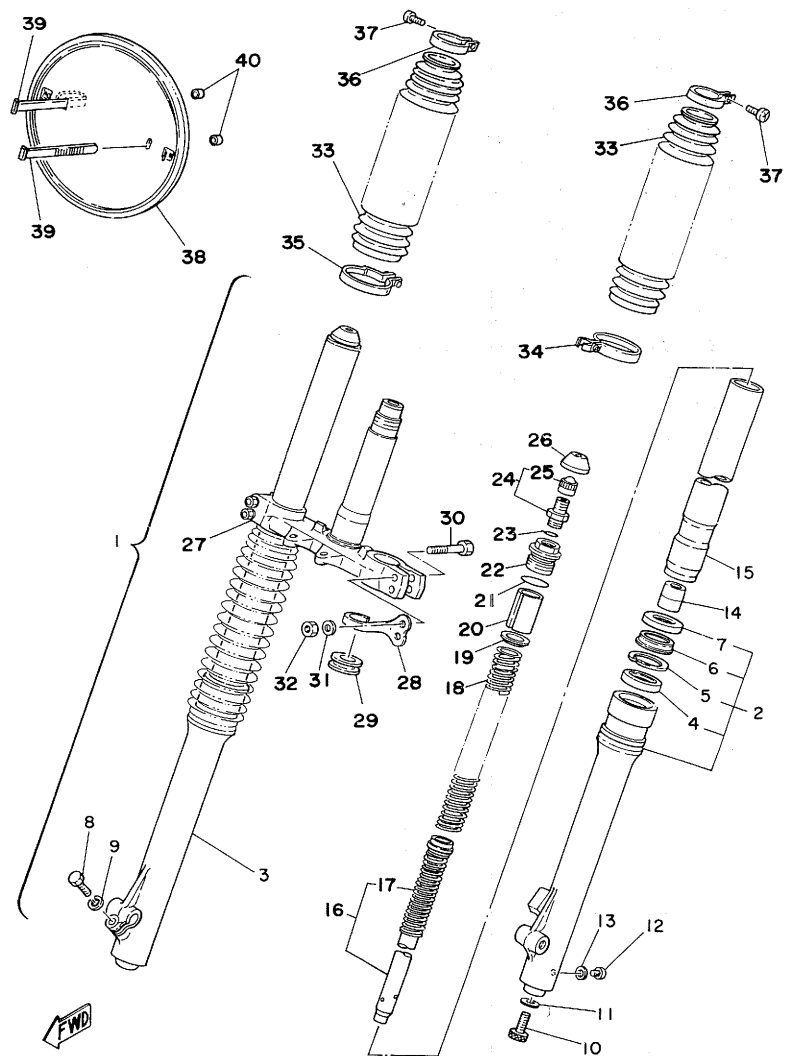
Ref.No.	Part No.	Description	Q'ty	Remarks
17- 1	2K7-27311-00	STAND, side	1	
2	90102-10006	BOLT, hexagon (278-27317-00)	1	
3	95302-10900	NUT, slotted	1	
4	91401-20025	PIN, cotter	1	
5	90507-29008	SPRING, tension	1	
6	2X4-27412-00	BRACKET, footrest left	1	
7	2X4-27422-00	BRACKET, footrest right	1	
8	90105-12096	BOLT	4	
9	2W6-27411-00	FOOTREST, left	1	
10	2W6-27421-00	FOOTREST, right	1	
11	90508-20023	SPRING, torsion (214-27426-00)	2	
12	90101-08428	BOLT, hexagon	2	
13	95601-08100	NUT, U	2	
14	2X4-27200-00-33	PEDAL, brake	1	Yamaha Black
15	93109-14021	OIL SEAL (SD0-14-20-3.2)	2	
16	90201-14536	WASHER, plate	2	
17	93430-10015	CIRCLIP (E-10)	1	
18	90506-20192	SPRING, tension	1	
19	2X4-27231-00	ROD, brake	1	
20	90240-06040	PIN, with hole	1	
21	92901-06200	WASHER, plain	1	
22	91401-20012	PIN, cotter	1	
23	90501-10245	SPRING (180-27236-00)	1	
24	90249-12069	PIN	1	
25	90175-06013	NUT, wing	1	
26	97301-06020	BOLT, hexagon	1	
27	95301-06700	NUT, hexagon	1	

Fig. 18 FRONT FENDER · REAR FENDER



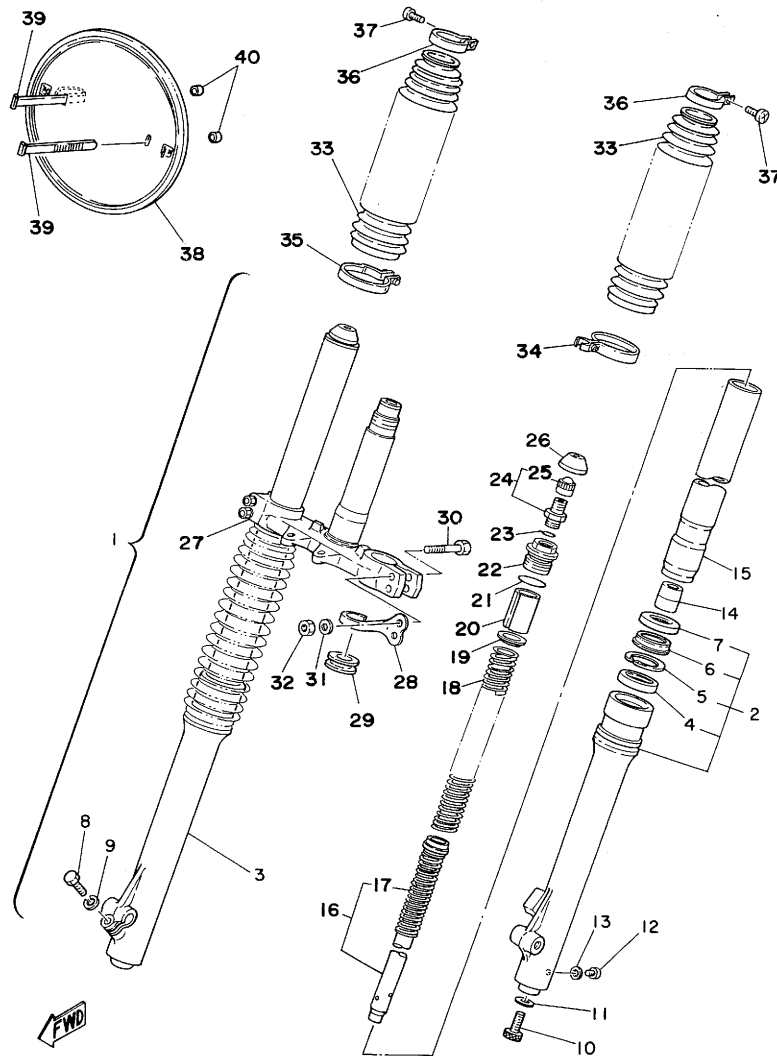
Ref.No.	Part No.	Description	Q'ty	Remarks
18- 1	1W1-21511-00	FENDER, front	1	Competition Yellow
	1W1-21511-10	FENDER, front	1	Clean White
2	90201-06067	WASHER, plate (6.5-20-1.6)	4	
3	97301-06025	BOLT, hexagon	4	
4	92901-06100	WASHER, spring	4	
5	90480-14198	GROMMET	4	
6	90387-07391	COLLAR (322-21544-00)	4	
7	2K8-21611-00	FENDER, rear	1	Competition Yellow
	2K8-21611-10	FENDER, rear	1	Clean White
8	97301-06014	BOLT, hexagon	7	
9	92901-06100	WASHER, spring	7	
10	90201-06067	WASHER, plate (6.5-20-1.6)	7	
11	2X4-21620-00	MUD GUARD COMP.	1	
12	1M1-21621-00	FLAP	1	
13	565-21746-00	SEAL, mud guard	1	

Fig. 19 FRONT FORK



Ref.No.	Part No.	Description	Q'ty	Remarks
19- 1	2X4-23101-L0	FRONT FORK ASS'Y	1	
2	2K8-23126-L0	. TUBE, outer left	1	
3	2K8-23136-L0	. TUBE, outer right	1	
4	1W4-23145-L0	.. OIL SEAL	2	
5	1W4-23156-L0	.. CIRCLIP	2	
6	1W4-23144-L0	.. SEAL, dust	2	
7	1W4-23148-L0	.. CASE, dust seal	2	
8	1W4-23128-L0	. BOLT, front fork	1	
9	92901-08100	. WASHER, spring	5	
10	2K8-23181-L0	. BOLT, hexagon sockethead	2	
11	2K8-23158-L0	. PACKING	2	
12	122-23119-01	. PLUG, drain	2	
13	122-23129-00	. GASKET, drain plug	2	
14	2K8-23173-L0	. TAPER SPINDLE	2	
15	2X4-23110-L0	. TUBE, inner	2	
16	2X4-23170-L0	. CYLINDER COMP., front fork	2	
17	2X4-23151-L0	.. SUB, spring	2	
18	2X4-23141-L0	. SPRING, front fork (K=0.268 kg/mm)	2	
19	1W4-23142-L0	. GUIDE, fork spring	2	
20	1W4-23118-L0	. SPACER	2	
21	1W4-23114-L0	. O-RING	2	
22	1W4-23111-L1	. CAP BOLT, front fork	2	
23	509-23163-L0	. O-RING	2	
24	509-23190-L0	. AIR VALVE ASS'Y	2	
25	509-23184-L0	.. CAP, valve	2	
26	1W1-23185-L0	. CAP, front fork	2	
27	2X4-23340-L0-33	. UNDER BRACKET COMP.	1	Yamaha Black
28	1W1-23317-01	. HOLDER, wire	1	
29	1W1-23389-00	. GUIDE, wire	1	
30	90109-08397	. BOLT	4	
31	90201-08544	. WASHER, plate	4	
32	95311-08600	. NUT, hexagon	4	
33	2X4-23191-L0	BOOT	2	Yellow (for Competition Yellow)
	2X4-23191-M0	BOOT	2	Black (for Clean White)
34	1W4-23318-L1	CLIP, front fork	1	

Fig. 19 FRONT FORK

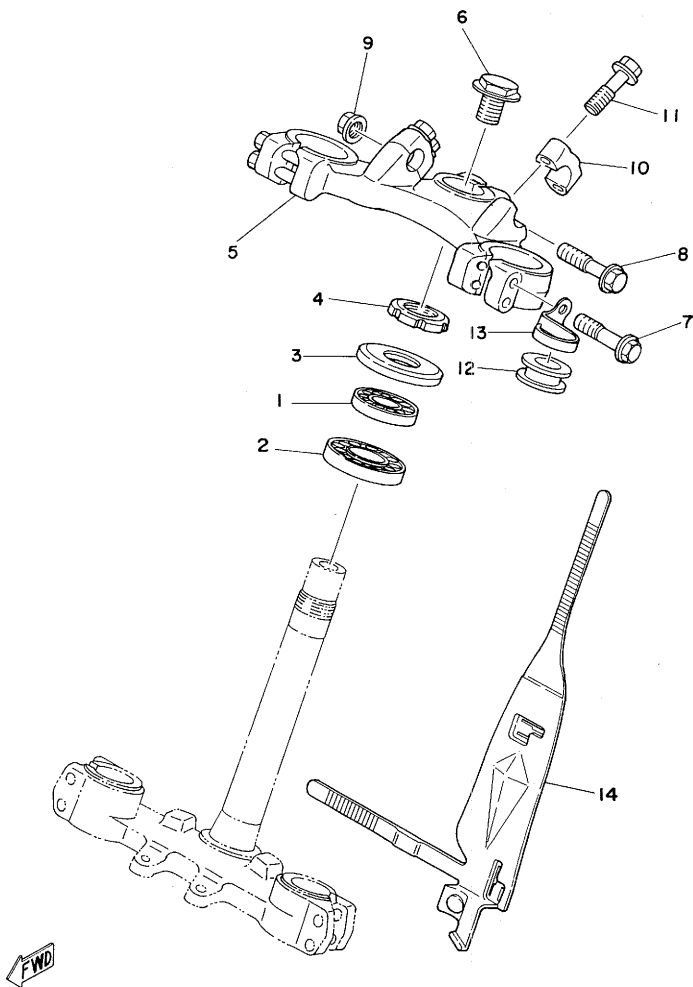


Ref.No.	Part No.	Description	Qty	Remarks
19-35	1W4-23489-L0	BAND, fork boot under	1	
36	1W4-92090-L0	BAND, fork boot upper	2	
37	509-23194-L0	SCREW	2	
38	2X4-23485-00	PLATE, number	1	
39	2X4-23489-00	BAND	2	
40	90446-09158	HOSE	2	

ALTERNATE PARTS

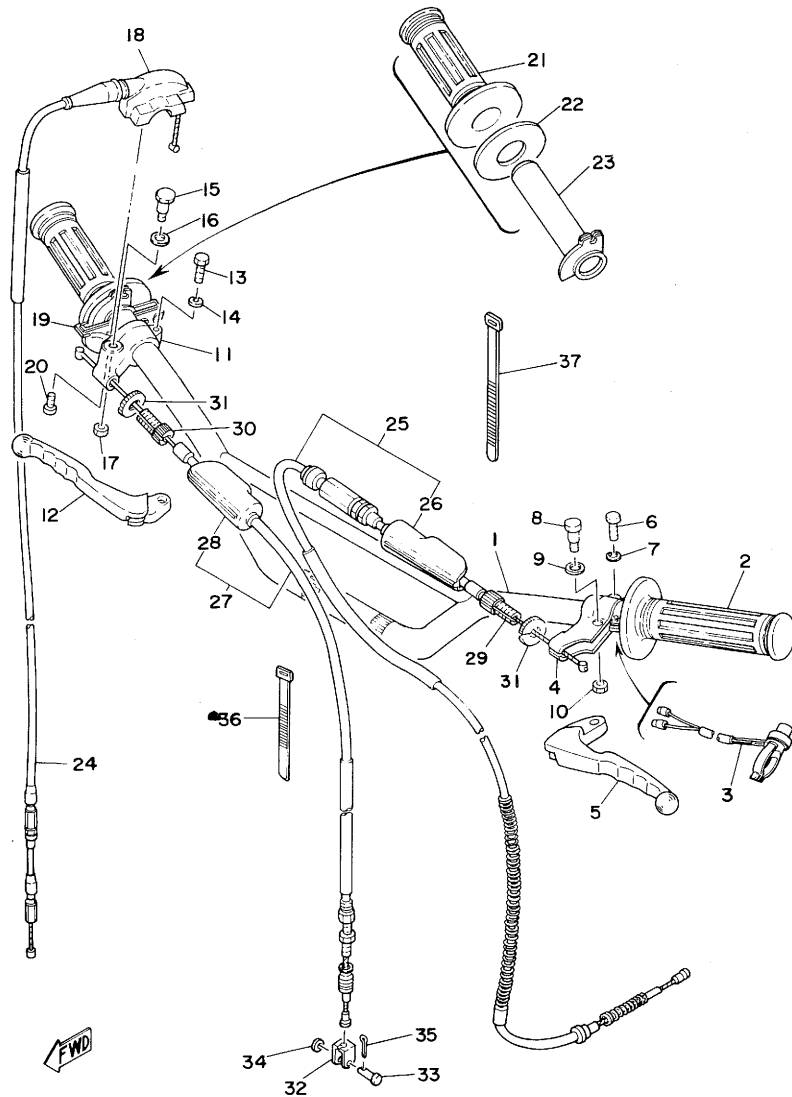
18	2X4-23141-10	SPRING, front fork (K=0.214 kg/mm)	2	Soft (Use spacer 1W4-23118-L0 with set)
	2X4-23141-20	SPRING, front fork (K=0.333 kg/mm)	2	Hard (Use spacer 1W4-23118-L0 with set)

Fig. 20 STEERING



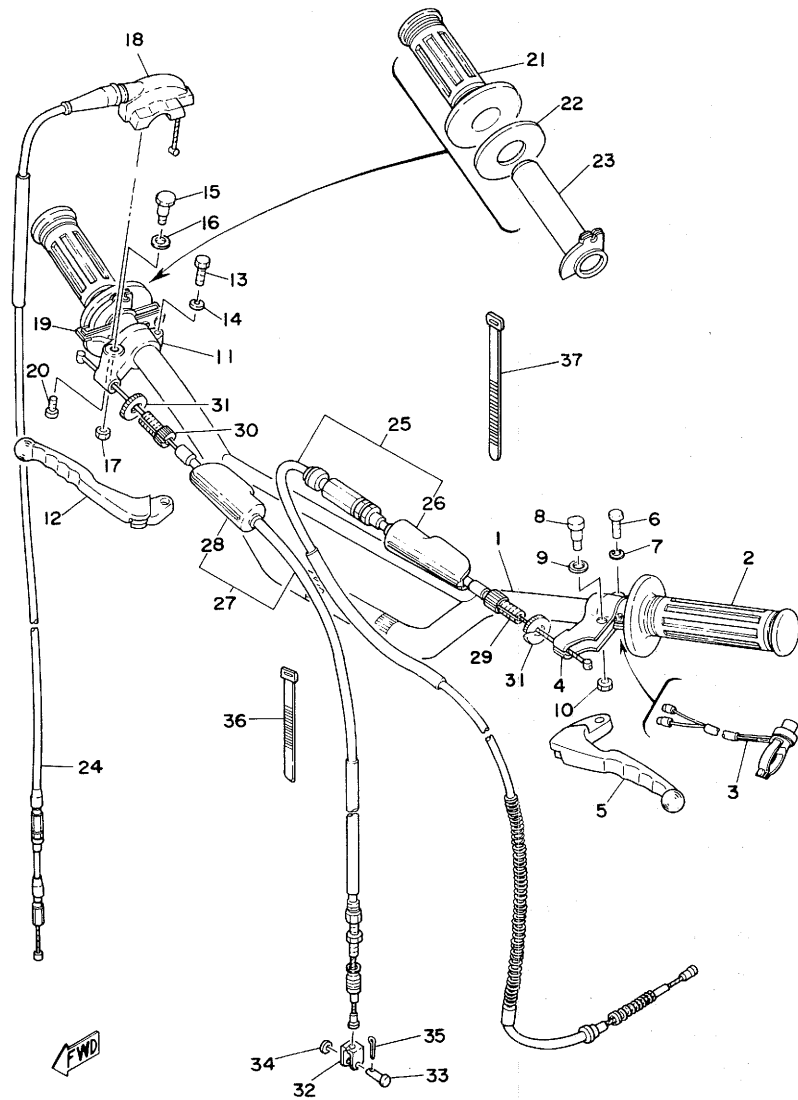
Ref.No.	Part No.	Description	Q'ty	Remarks
20- 1	93332-00001	BEARING	1	
2	93332-00008	BEARING	1	
3	1W1-23416-00	COVER, ball race	1	
4	90179-25033	NUT (137-23454-00)	1	
5	1W4-23435-00-98	CROWN, handle	1	Low Gloss Black
6	90105-14060	BOLT	1	
7	95821-08040	BOLT, flange	4	
8	95821-08055	BOLT, flange	1	
9	95701-08100	NUT, flange	1	
10	1E6-23441-10-98	HOLDER, handle upper	2	Low Gloss Black
11	95821-08035	BOLT, flange	4	
12	1W1-23389-00	GUIDE, wire	1	
13	1W1-23317-01	HOLDER, wire	1	
14	2X4-23389-00	GUIDE, wire	1	

Fig. 21 HANDLE · WIRE



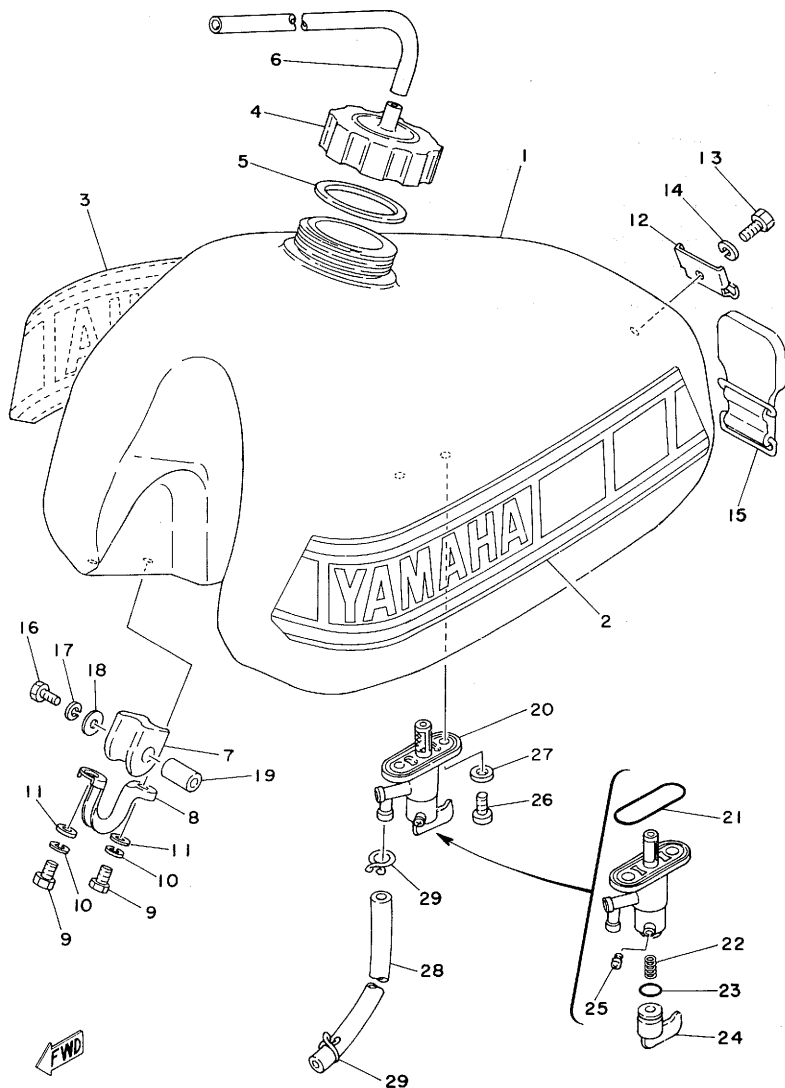
Ref.No.	Part No.	Description	Q'ty	Remarks
21- 1	2X4-26111-00	HANDLE	1	
2	583-26241-00	GRIP, left	1	
3	1J4-83976-00	SWITCH, handle 1	1	
4	461-82911-00	HOLDER, lever left	1	
5	2K6-83912-00	LEVER, left	1	
6	97301-06022	BOLT, hexagon	1	
7	92901-06100	WASHER, spring	1	
8	90109-06410	BOLT	1	
9	90201-08083	WASHER, plate (156-27226-00)	1	
10	95601-06100	NUT, U	1	
11	516-82921-30	HOLDER, lever right	1	
12	2K6-83922-00	LEVER, right	1	
13	97301-06022	BOLT, hexagon	1	
14	92901-06100	WASHER, spring	1	
15	90109-06410	BOLT	1	
16	90201-08083	WASHER, plate (156-27226-00)	1	
17	95601-06100	NUT, U	1	
18	431-26281-01	CAP, grip upper	1	
19	431-26282-01	CAP, grip under	1	
20	98503-05015	SCREW, panhead	2	
21	583-26242-00	GRIP, right	1	
22	1W1-26249-00	RING, leaf	1	
23	431-26243-00	TUBE, guide	1	
24	2K8-26311-01	WIRE, throttle 1 (1130mm)	1	
25	2K7-26335-00	WIRE, clutch (1150mm)	1	
26	382-26372-01	. COVER, lever	1	
27	1W4-26341-02	WIRE, brake front (1230mm)	1	
28	328-26372-01	. COVER, lever	1	
29	90123-08013	BOLT, wire adjusting (156-26346-00)	1	
30	90123-08046	BOLT, wire adjusting	1	
31	90179-08148	NUT (168-26344-00)	2	
32	156-26347-00	JOINT, wire	1	
33	90240-08012	PIN, with hole (156-27229-00)	1	

Fig. 21 HANDLE · WIRE



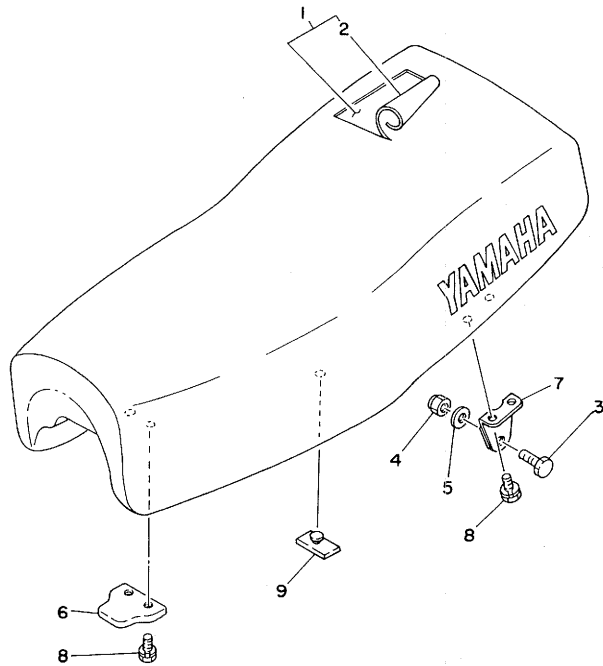
Ref.No.	Part No.	Description	Q'ty	Remarks
21-34	90201-08083	WASHER, plate (156-27226-00)	1	
35	91401-20012	PIN, cotter	1	
36	437-83936-00	BAND, switch cord	2	
37	803-82591-00	BAND, switch cord	1	

Fig. 22 FUEL TANK



Ref.No.	Part No.	Description	Q'ty	Remarks
22- 1	2X4-24110-00	FUEL TANK COMP.	1	Competition Yellow
	2X4-24110-10	FUEL TANK COMP.	1	Clezn White
2	2X4-24244-20	GRAPHIC, fuel tank left	1	for Competition Yellow
	2X4-24244-30	GRAPHIC, fuel tank left	1	for Clean White
3	2X4-24245-20	GRAPHIC, fuel tank right	1	for Competition Yellow
	2X4-24245-30	GRAPHIC, fuel tank right	1	for Clean White
4	1W1-24611-00	BODY, tank cap	1	
5	1W1-24612-00	GASKET, tank cap	1	
6	90445-09117	HOSE (170-21766-00 5-540)	1	
7	1W1-24182-01	DAMPER, locating 2	2	
8	1W1-24144-01	HOLDER, damper	2	
9	97301-06012	BOLT, hexagon	4	
10	92901-06100	WASHER, spring	4	
11	92901-06600	WASHER, plate	4	
12	1W1-24192-00	BRACKET, fuel tank	1	
13	97301-06012	BOLT, hexagon	1	
14	92901-06100	WASHER, spring	1	
15	1W1-24173-00	BAND, tank fitting 1	1	
16	97321-06035	BOLT, hexagon	2	
17	92901-06100	WASHER, spring	2	
18	90201-06407	WASHER, plate (6.2-25-1.6)	2	
19	90387-07393	COLLAR (308-84557-00 7-10-20)	2	
20	2K5-24500-00	FUEL COCK ASS'Y	1	
21	214-24512-00	. GASKET, body	1	
22	1A0-24529-01	. SPRING	1	
23	1A0-24512-00	. O-RING	1	
24	1A0-24524-01	. LEVER, cock	1	
25	619-24535-00	. SCREW	1	
26	90149-06011	SCREW (256-24143-00)	2	
27	90202-06010	WASHER, plate (178-14766-00)	2	
28	90445-11182	HOSE (7-300)	1	
29	90467-10008	CLIP (143-24356-00)	2	

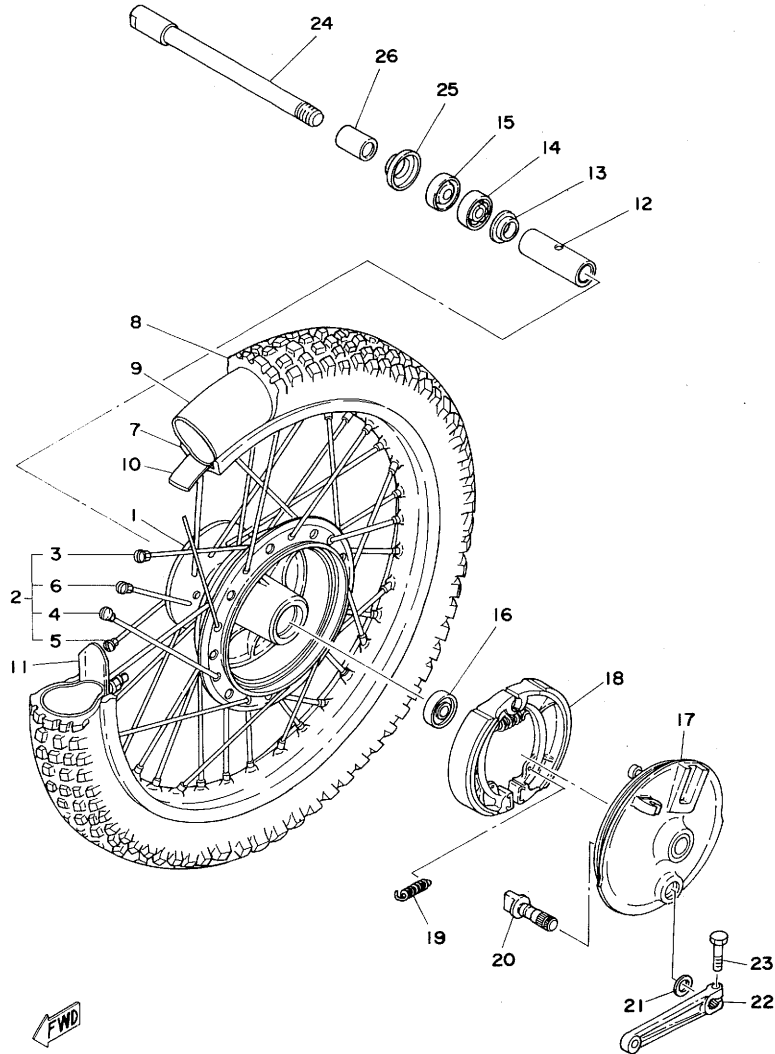
Fig. 23 SEAT



Ref.No.	Part No.	Description	Q'ty	Remarks
23- 1	2X4-24770-90	SEMI DOUBLE SEAT ASS'Y	1	
2	2X4-24771-00	. COVER, semi double seat	1	
3	97301-06035	BOLT, hexagon	2	
4	95601-06100	NUT, U	2	
5	92901-06200	WASHER, plain	2	
6	1M1-24748-00	BRACKET, seat front	1	
7	1W1-24738-00	BRACKET, seat rear	2	
8	90101-06304	BOLT	6	
9	509-24724-00	DAMPER, seat	6	

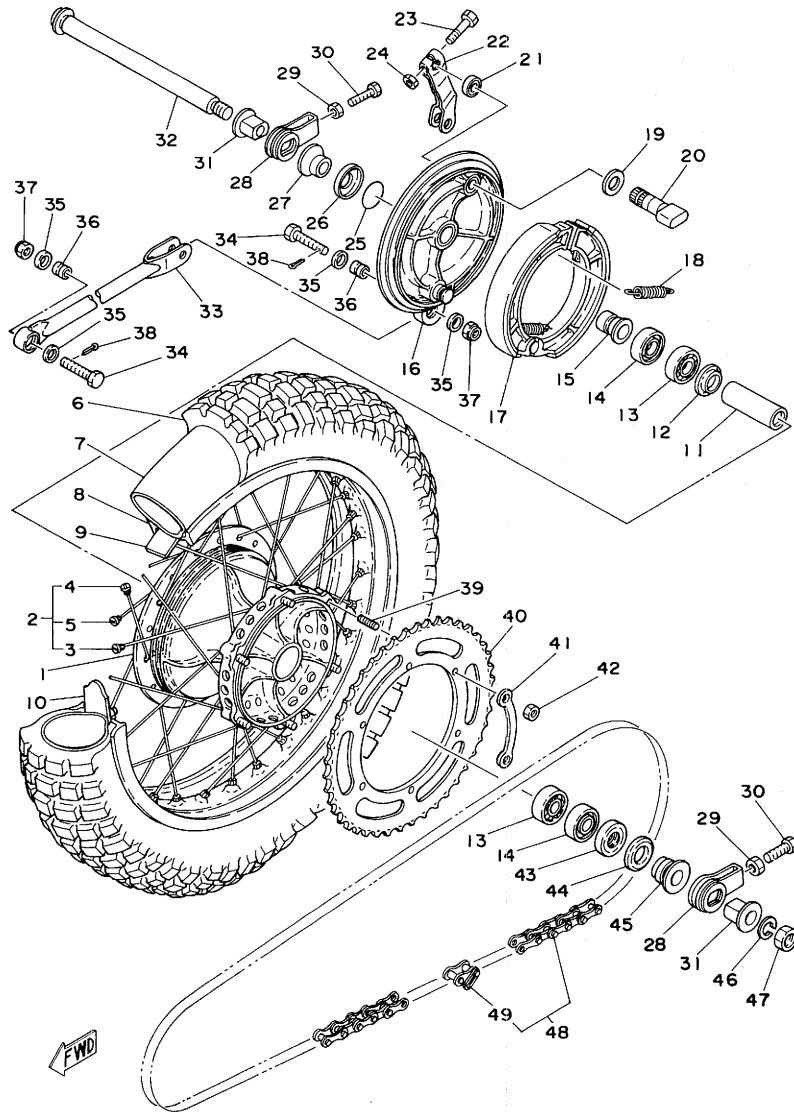


Fig. 24 FRONT WHEEL



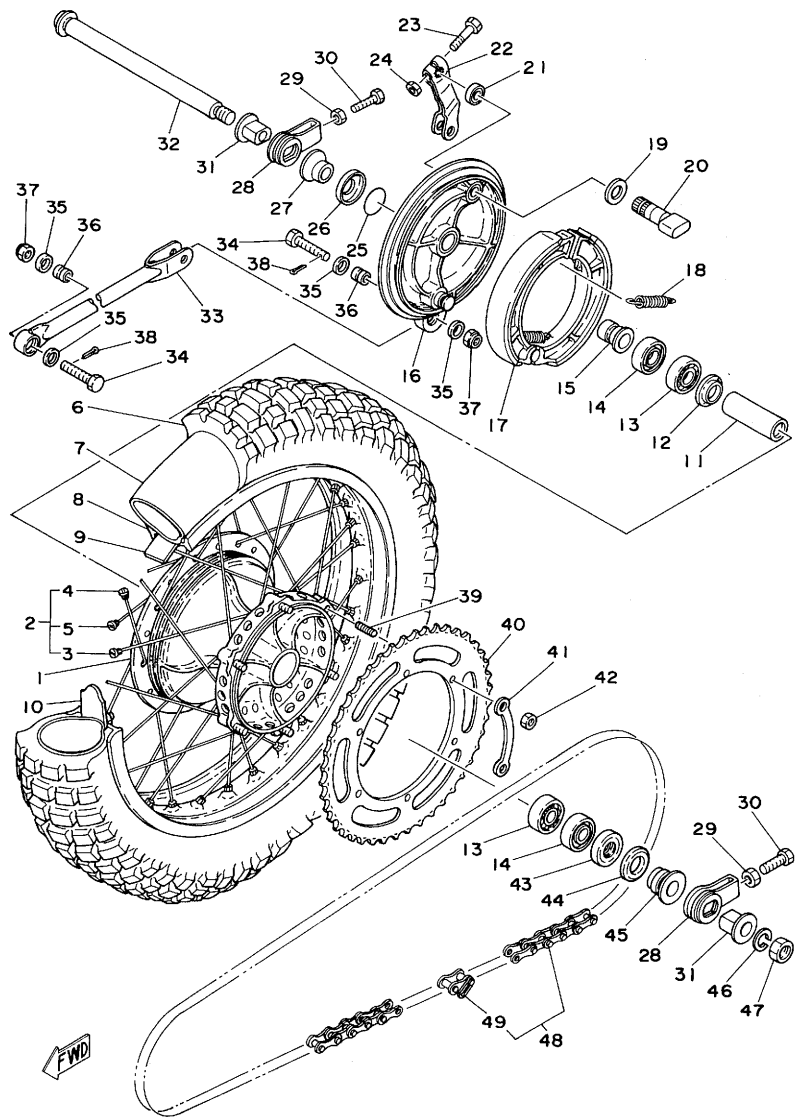
Ref.No.	Part No.	Description	Q'ty	Remarks
24- 1	1K7-25111-10-98	HUB, front	1	Low Gloss Black
2	2W6-25104-00	SPOKE SET, front	1s	
3	2W6-25196-90	. SPOKE SET, inner left (10 PCS)	1s	
4	2W6-25197-90	. SPOKE SET, outer left (10 PCS)	1s	
5	2W6-25179-90	. SPOKE SET, outer right (10 PCS)	1s	
6	2W6-25189-90	. SPOKE SET, inner right (10 PCS)	1s	
7	94416-21104	RIM, front (1.60-21)	1	
8	94130-21520	TIRE, front (3.00-21-4PR)	1	INOUE
	94130-21248	TIRE, front (3.00-21-4PR)	1	for JAPAN DUNLOP
9	94230-21126	TUBE, front (3.00-21)	1	
	94227-21101	TUBE, front (2.75-21)	1	for JAPAN
10	94330-21088	BAND, rim (3.00-21)	1	
	94327-21071	BAND, rim (2.75-21)	1	for JAPAN
11	1T1-25194-00	SPACER, bead	1	
12	90560-15116	SPACER (322-25117-00)	1	
13	146-25116-00	FLANGE, spacer	1	
14	93306-20205	BEARING (B6202)	1	
15	93102-20009	OIL SEAL (SD-20-35-7)	1	
16	93306-20203	BEARING (B6202RS)	1	
17	1W1-25121-01-98	PLATE, brake shoe	1	Low Gloss Black
18	322-25130-00	BRAKE SHOE COMP.	2	
19	90506-16036	SPRING, tension (183-25333-00)	2	
20	322-25151-00	CAMSHAFT	1	
21	137-25159-00	SEAL, camshaft	1	
22	322-25155-00	LEVER, camshaft	1	
23	90101-06291	BOLT, hexagon	1	
24	509-25181-00	SHAFT, wheel	1	
25	322-25118-00	COVER, hub dust	1	
26	90387-15535	COLLAR (15-20-28.5)	1	

Fig. 25 REAR WHEEL



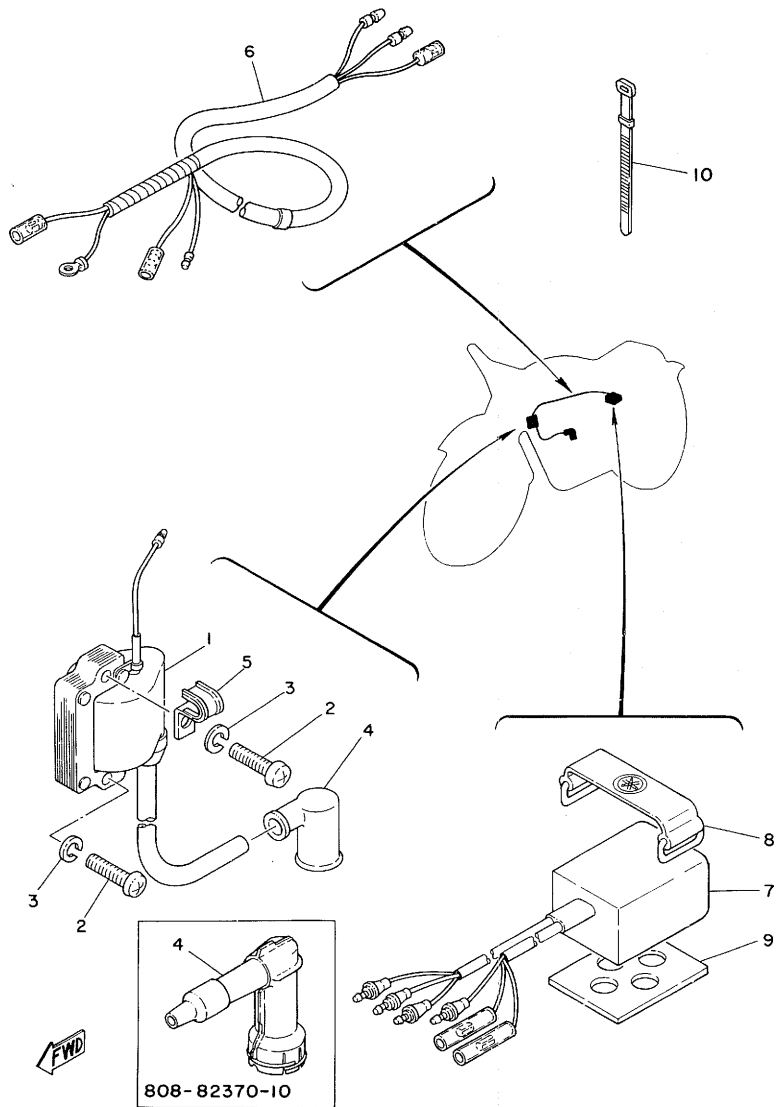
Ref.No.	Part No.	Description	Q'ty	Remarks
25- 1	483-25311-13-98	HUB, rear	1	
2	431-25304-00	SPOKE SET, rear	1s	
3	431-25396-90	. SPOKE SET, inner left (10 PCS)	1s	
4	431-25391-90	. SPOKE SET, inner right (10 PCS)	1s	
5	431-25392-90	. SPOKE SET, outer right (10 PCS)	1s	
6	94145-18521	TIRE, rear (4.50-18-4PR)	1	INOUE
	94150-18339	TIRE, rear (5.00-18-4PR)	1	for JAPAN DUNLOP
7	94245-18125	TUBE, rear (4.50-18)	1	
	94240-18098	TUBE, rear (4.00-18)	1	for JAPAN
8	94421-18105	RIM, rear (2.15-18)	1	
9	94345-18081	BAND, rim (4.50-18)	1	
	94340-18069	BAND, rim (4.00-18)	1	for JAPAN
10	1T1-25394-01	SPACER, bead	2	
11	483-25317-01	SPACER, bearing	1	
12	483-25315-00	FLANGE, spacer	1	
13	93306-20309	BEARING (B6203)	2	
14	93306-20310	BEARING (B6203RS)	2	
15	90387-17700	COLLAR	1	
16	2X4-25321-00-98	PLATE, brake shoe	1	Low Gloss Black
17	2X4-25330-00	BRAKE SHOE COMP.	2	
18	90507-20002	SPRING, tension (246-25333-00)	2	
19	90564-14021	SHIM	1	
20	1E2-25151-00	CAMSHAFT	1	
21	148-25359-00	SEAL, camshaft	1	
22	2X4-25355-00	LEVER, camshaft	1	
23	90101-06278	BOLT, hexagon	1	
24	95301-06600	NUT, hexagon	1	
25	93210-31114	O-RING	1	
26	275-25327-00	COVER, plate dust	1	
27	90387-17651	COLLAR	1	
28	2K8-25388-00	PULLER, chain	2	
29	95301-08700	NUT, hexagon	2	
30	90101-08034	BOLT, hexagon (168-25379-00)	2	

Fig. 25 REAR WHEEL



Ref.No.	Part No.	Description	Q'ty	Remarks
25-31	90381-17027	BUSHING, solid	2	
32	2K8-25381-00	SHAFT, wheel	1	
33	2X4-25371-00	BAR, tension	1	
34	90102-08034	BOLT	2	
35	93104-11056	OIL SEAL (SO-12-17-2.5)	4	
36	90387-08699	COLLAR	2	
37	95611-08100	NUT, U	2	
38	91401-20015	PIN, split	2	
39	90116-08218	BOLT, stud	6	
40	431-25448-02	GEAR, sprocket wheel (48T)	1	STD U.R.
	431-25450-04	GEAR, sprocket wheel (50T)		
	431-25452-04	GEAR, sprocket wheel (52T)		
41	583-25412-00	WASHER, lock	3	
42	90170-08193	NUT, hexagon	6	
43	93102-25030	OIL SEAL (SD-25-40-8)	1	
44	431-25367-00	COVER, dust	1	
45	90387-17650	COLLAR	1	
46	92901-16100	WASHER, spring	1	
47	90170-16177	NUT, hexagon	1	
48	94580-11108	CHAIN (DID520TR-108L)	1	
49	94680-11001	. JOINT, chain	1	

Fig. 26 ELECTRICAL



Ref.No.	Part No.	Description	Q'ty	Remarks
26- 1	2K7-82310-10	IGNITION COIL ASS'Y	1	
2	92501-06025	SCREW, panhead	2	
3	92901-06100	WASHER, spring	2	
4	294-82370-00	PLUG CAP ASS'Y	1	
	808-82370-10	PLUG CAP ASS'Y (with Noise Suppressor)	1	for S. Africa
5	90462-05005	CLAMP (363-15485-01)	1	
6	2X4-82590-00	WIRE HARNESS ASS'Y	1	
7	2X4-85540-10	C.D.I. UNIT ASS'Y	1	
8	122-82131-00	BAND, tool	1	
9	1M2-85547-00	DAMPER	1	
10	437-83936-00	BAND, switch cord	1	

REPAIR KIT

Fig. 27 REPAIR KIT

Ref.No.	Part No.	Description	Q'ty	Remarks	Ref.No.	Part No.	Description	Q'ty	Remarks
27- 1	2K7-11630-00	PISTON ASS'Y (STD)	} U.R. 1		27-13	1W3-11181-00	. GASKET, cylinder head	1	Ref. No. 1-2
	2K7-11630-50	PISTON ASS'Y (STD)			14	2K7-11351-00	. GASKET, cylinder	1	1-4
	2K7-11630-10	PISTON ASS'Y (1st O.S)	} U.R. 1		15	2K7-15451-00	. GASKET, crankcase cover left 1	1	3-5
	2K7-11630-60	PISTON ASS'Y (1st O.S)			16	2K7-15462-00	. GASKET, crankcase cover right	1	3-7
	2K7-11630-20	PISTON ASS'Y (2nd O.S)	} U.R. 1		17	93210-14104	. O-RING (2.4-13.8)	1	3-11
	2K7-11630-70	PISTON ASS'Y (2nd O.S)			18	90430-06016	. GASKET (838-15384-00)	1	3-13
	2K7-11630-30	PISTON ASS'Y (3rd O.S)	} U.R. 1		19	93210-29282	. O-RING (1.9-29.5)	1	4-16
	2K7-11630-80	PISTON ASS'Y (3rd O.S)			20	90430-08069	. GASKET (425-16387-00)	1	5-26
	2K7-11630-40	PISTON ASS'Y (4th O.S)	} U.R. 1		21	214-11198-01	. GASKET, drain plug	1	7-15
	2K7-11630-90	PISTON ASS'Y (4th O.S)			22	2K7-13621-00	. PACKING, valve seat	1	10-28
2	2K7-11631-00-96	. PISTON (69.96mm STD)	} U.R. 1	} Ref. No. 4-8	23	1M1-14714-00	. GASKET, muffler joint	1	12-11
	2K7-11631-00-97	. PISTON (69.97mm STD)			24	2K7-W0003-00	OIL SEAL KIT	1s	
	2K7-11635-00	. PISTON (70.25mm 1st O.S)			25	93103-30092	OIL SEAL (SW-30-55-10)	1	4-14
	2K7-11636-00	. PISTON (70.50mm 2nd O.S)			26	93103-40091	OIL SEAL (SW-30-55-10)	1	4-15
	2K7-11637-00	. PISTON (70.75mm 3rd O.S)			27	93102-17004	OIL SEAL (SD-17-28-6)	1	5-23
	2K7-11638-00	. PISTON (71.00mm 4th O.S)			28	93102-32136	OIL SEAL (SD-32-42-6)	1	6-31
3	1W5-11601-00	. PISTON RING SET (STD)	} U.R. 1s	} 4-9	29	93101-12004	OIL SEAL (S-12-22-5)	1	8-6
	2X7-11601-00	. PISTON RING SET (STD)			30	93109-20014	OIL SEAL (SDO-20-30-4.5)	1	9-9
	1W5-11601-10	. PISTON RING SET (1st O.S)	} U.R. 1s		1W5-11601-20	. PISTON RING SET (2nd O.S)	} U.R. 1s	2X7-11601-20	. PISTON RING SET (2nd O.S)
	2X7-11601-10	. PISTON RING SET (1st O.S)			1W5-11601-30	. PISTON RING SET (3rd O.S)		2X7-11601-30	. PISTON RING SET (3rd O.S)
	1W5-11601-20	. PISTON RING SET (2nd O.S)	} U.R. 1s		1W5-11601-40	. PISTON RING SET (4th O.S)	} U.R. 1s	2X7-11601-40	. PISTON RING SET (4th O.S)
	2X7-11601-20	. PISTON RING SET (2nd O.S)			4	214-11633-00		. PIN, piston	1
	1W5-11601-30	. PISTON RING SET (3rd O.S)	} U.R. 1s		5	93450-19052	. CIRCLIP (19ø special)	2	4-12
	2X7-11601-30	. PISTON RING SET (3rd O.S)			6	2X4-11650-00	CONNECTING ROD ASS'Y	1s	
1W5-11601-40	. PISTON RING SET (4th O.S)	} U.R. 1s	7	498-11651-00	. ROD, connecting	1	4-4		
2X7-11601-40	. PISTON RING SET (4th O.S)		8	2X4-11681-00	. PIN, crank	1	4-5		
4	214-11633-00	. PIN, piston	1	4-11					
5	93450-19052	. CIRCLIP (19ø special)	2	4-12					
6	2X4-11650-00	CONNECTING ROD ASS'Y	1s						
7	498-11651-00	. ROD, connecting	1	4-4					
8	2X4-11681-00	. PIN, crank	1	4-5					
9	93310-42541	. BEARING, con-rod big end	1	4-6					
10	90209-25085	. WASHER (275-11685-00)	2	4-7					
11	93310-21874	. BEARING, con-rod small end	1	4-10					
12	2X4-W0001-00	GASKET KIT	1s						

NUMERICAL INDEX

NUMERICAL INDEX

Part No.	Ref.No.	Part No.	Ref.No.	Part No.	Ref.No.	Part No.	Ref.No.	Part No.	Ref.No.	Part No.	Ref.No.
1A0-24512-00	22-23	1W1-24192-00	22-12	1W5-11601-20	4-9	2K7-11412-00	4-2	2K7-15441-02	2-11	2K7-18535-01	7-22
1A0-24524-01	22-24	1W1-24611-00	22-4	1W5-11601-30	4-9	2K7-11630-00	27-1	2K7-15451-00	3-5	2K7-18541-00	7-1
1A0-24529-01	22-22	1W1-24612-00	22-5	1W5-11601-40	4-9	2K7-11630-10	27-1	2K7-15462-00	3-7	2K7-21424-00	14-9
1E2-25151-00	25-20	1W1-24738-00	23-7	1W5-14153-00	11-3	2K7-11630-20	27-1	2K7-15611-00-33	9-1	2K7-21459-00	14-8
1E6-23441-10-98	20-10	1W1-25121-01-98	24-17	109-81328-11	13-10	2K7-11630-30	27-1	2K7-15618-00	9-2	2K7-26335-00	21-25
1G8-15362-00	3-10	1W1-26249-00	21-22	122-23119-01	19-12	2K7-11630-40	27-1	2K7-15621-00	9-3	2K7-27311-00	17-1
1J4-83976-00	21-3	1W1-28135-00	14-24	122-23129-00	19-13	2K7-11630-50	27-1	2K7-15641-01	9-16	2K7-28100-10	14-23
1K7-25111-10-98	24-1	1W3-11181-00	1-2	122-82131-00	26-8	2K7-11630-60	27-1	2K7-15651-00	6-36	2K7-82310-10	26-1
1M1-14169-00	11-34	1W3-11422-00	4-3	127-14161-00	11-33	2K7-11630-70	27-1	2K7-15661-01	9-18	2K7-85555-00	14-25
1M1-14714-00	12-11	1W3-14123-00	11-38	127-14186-00	11-10	2K7-11630-80	27-1	2K7-15664-00	9-10	2K8-21611-00	18-7
1M1-21621-00	18-12	1W3-14158-00	11-30	132-15644-00	9-23	2K7-11630-90	27-1	2K7-15668-00	9-24	2K8-21611-10	18-7
1M1-24748-00	23-6	1W3-14175-00	11-42	132-18113-01	8-2	2K7-11631-00-96	4-8	2K7-15671-01	9-19	2K8-23126-L0	19-2
1M2-85547-00	26-9	1W3-14178-00	11-43	137-13115-00	2-8	2K7-11631-00-97	4-8	2K7-15676-00	9-13	2K8-23136-L0	19-3
1T1-25194-00	24-11	1W4-15383-00	6-13	137-14133-00	11-39	2K7-11635-00	4-8	2K7-16111-00	4-17	2K8-23158-L0	19-11
1T1-25394-01	25-10	1W4-17461-30	6-33	137-14143-78	11-4	2K7-11636-00	4-8	2K7-16150-00	5-2	2K8-23173-L0	19-14
1W1-14171-00	11-40	1W4-17461-40	6-33	137-14143-80	11-4	2K7-11637-00	4-8	2K7-16154-00	5-16	2K8-23181-L0	19-10
1W1-14968-00	11-37	1W4-17461-50	6-33	137-14143-82	11-4	2K7-11638-00	4-8	2K7-16181-00	5-15	2K8-25388-00	25-28
1W1-18136-00	14-34	1W4-22141-00	15-10	137-25159-00	24-21	2K7-13565-00	10-22	2K7-16351-00	5-6	2K8-26311-01	21-24
1W1-21511-00	18-1	1W4-23111-L1	19-22	146-25116-00	24-13	2K7-13610-00	10-24	2K7-16356-00	5-9	2K9-18561-00	7-6
1W1-21511-10	18-1	1W4-23114-L0	19-21	148-25359-00	25-21	2K7-13613-00	10-25	2K7-16357-00	5-18	2W6-22151-00	15-9
1W1-22128-00	15-37	1W4-23118-L0	19-20	156-26347-00	21-32	2K7-13616-00	10-26	2K7-16371-00	5-3	2W6-25104-00	24-2
1W1-22216-00	16-12	1W4-23118-L0	19-20	164-14137-00	11-22	2K7-13621-00	10-28	2K7-17121-00	6-7	2W6-25179-90	24-5
1W1-22226-00	16-18	1W4-23128-L0	19-8	168-15676-00	9-21	2K7-14197-00	11-49	2K7-17221-01	6-16	2W6-25189-90	24-6
1W1-22497-00	16-10	1W4-23142-L0	19-19	168-16324-00	5-5	2K7-14452-00	10-3	2K7-17231-00	6-22	2W6-25196-90	24-3
1W1-23185-L0	19-26	1W4-23144-L0	19-6	193-14142-50	11-2	2K7-14453-00	10-19	2K7-17421-00	6-15	2W6-15197-90	24-4
1W1-23317-01	19-28	1W4-23145-L0	19-4	2A0-14122-00	11-35	2K7-15111-01	2-1	2K7-18101-00	8-9	2W6-27411-00	17-9
	20-13	1W4-23148-L0	19-7	2K5-24500-00	22-20	2K7-15113-00	2-17	2K7-18111-00-33	8-1	2W6-27421-00	17-10
1W1-23389-00	19-29	1W4-23156-L0	19-5	2K6-2148A-02	14-31	2K7-15118-00	2-15	2K7-18111-10-33	8-1	2X4-W0001-10	27-12
	20-12	1W4-23318-L1	19-34	2K6-22178-00	14-32	2K7-15121-01	2-2	2K7-18122-01	7-24	2X4-11111-00	1-1
1W1-23416-00	20-3	1W4-23435-00-98	20-5	2K7-15121-01	2-2	2K7-15121-01	2-2	2K7-18141-00	7-2	2X4-11311-00	1-3
1W1-24144-01	22-8	1W4-23489-L0	19-35	2K6-22213-00	16-7	2K7-15381-00	7-28	2K7-18151-00	7-26	2X4-11400-00	4-1
1W1-24173-00	22-15	1W4-26341-02	21-27	2K6-22214-00	16-6	2K7-15383-00	6-28	2K7-18511-00	7-17	2X4-11650-00	27-6
1W1-24181-00	14-28	1W4-92090-L0	19-36	2K6-83912-00	21-5	2K7-15411-00	3-1	2K7-18512-00	7-18	2X4-11681-00	4-5
1W1-24182-01	22-7	1W5-11601-00	4-9	2K6-83922-00	21-12	2K7-15421-00	3-2	2K7-18513-00	7-19	2X4-14101-00	11-1
1W1-24183-00	14-29	1W5-11601-10	4-9	2K7-W0003-00	27-24	2K7-15431-01	3-6	2K7-18531-00	7-21	2X4-14411-00	10-1
				2K7-11351-00	1-4						

NUMERICAL INDEX

Part No.	Ref.No.	Part No.	Ref.No.	Part No.	Ref.No.	Part No.	Ref.No.	Part No.	Ref.No.	Part No.	Ref.No.
2X4-14412-01	10- 2	2X4-22224-00	16-13	2X4-82590-00	26- 6	322-25155-00	24-22	509-14198-00	11-31	90101-08034	25-30
2X4-14412-10	10- 2	2X4-22228-00	16- 4	2X4-85500-10	13- 1	328-26372-01	21-28	509-14274-00	11-23	90101-08428	17-12
2X4-14450-00	10- 4	2X4-22401-00	16-17	2X4-85510-10	13- 3	353-18547-00	7-13	509-23163-L0	19-23	90102-08034	25-34
2X4-14468-00	10-13	2X4-22472-00	16-16	2X4-85515-10	13- 9	363-14126-00	11-28	509-23184-L0	19-25	90102-10006	17- 2
2X4-14477-01	10-16	2X4-22489-00	16-15	2X4-85540-10	26- 7	363-14131-00	11-27	509-23190-L0	19-24	90105-12096	17- 8
2X4-14610-03	12- 1	2X4-22493-00	16- 3	2X4-85550-10	13- 2	363-14137-00	11-29	509-23194-L0	19-37	90105-14060	20- 6
2X4-14753-00	12-13	2X4-23101-L0	19- 1	2X6-85566-10	13- 4	363-14184-00	11-12	509-24724-00	23- 9	90109-06410	21- 8
2X4-14753-10	12-13	2X4-23110-L0	19-15	2X6-85567-10	13- 5	363-14187-00	11- 9	509-25181-00	24-24		21-15
2X4-16301-00	5- 1	2X4-23141-L0	19-18	2X7-11601-00	4- 9	363-14190-35	11- 6	510-14112-30	11-20	90109-08397	19-30
2X4-16380-00	5-19	2X4-23141-10	19-18	2X7-11601-10	4- 9	382-26372-01	21-26	510-14141-50	11-19	90109-08480	15-31
2X4-17131-00	6- 5	2X4-23141-20	19-18	2X7-11601-20	4- 9	383-16321-00	5- 4	510-14146-00	11- 7	90109-08512	12-17
2X4-17151-00	6- 2	2X4-23152-L0	19-17	2X7-11601-30	4- 9	431-24181-00	14-21	510-14181-16	11-13	90109-14390	7-16
2X4-17211-00	6-24	2X4-23170-L0	19-16	2X7-11601-40	4- 9	431-25304-00	25- 2	516-82921-30	21-11	90116-08218	25-39
2X4-17241-00	6-21	2X4-23191-L0	19-33	2X7-17161-00	6- 6	431-25367-00	25-44	558-14147-00	11-14	90116-08262	1- 5
2X4-17251-00	6-23	2X4-23191-M0	19-33	2X7-17261-00	6-19	431-25391-90	25- 4	565-14747-00	12-14	90116-10258	1- 9
2X4-17411-00	6- 1	2X4-23340-L0	19-27	214-11198-01	7-15	431-25392-90	25- 5	565-14771-00	12- 7	90116-10263	1- 8
2X4-21110-00-33	14- 1	2X4-23389-00	20-14	214-11633-00	4-11	431-25396-90	25- 3	565-21746-00	18-13	90123-08013	21-29
2X4-21415-00	14- 2	2X4-42385-00	19-38	214-14118-00	11-11	431-25448-02	25-40	583-25412-00	25-41	90123-08046	21-30
2X4-21427-01	14- 6	2X4-23489-00	19-39	214-14185-00	11- 8	431-25450-04	25-40	583-26241-00	21- 2	90149-06011	22-26
2X4-21428-00	14- 7	2X4-24110-00	22- 1	214-15674-00	9-25	431-25452-04	25-40	583-26242-00	21-21	90149-06123	5-12
2X4-21620-00	18-11	2X4-24183-00	14-30	214-15686-00	9-26	431-26243-00	21-23	619-24535-00	22-25	90149-08108	5-25
2X4-21711-00-98	14-17	2X4-24244-20	22- 2	214-17481-00	5-20	431-26281-01	21-18	648-45533-00-03	15- 5	90159-06016	5- 8
2X4-21711-10-98	14-17	2X4-24244-30	22- 2	214-24512-00	22-21	431-26282-01	21-19	737-14137-00	11-47	90163-06001	10-12
2X4-21721-00-98	14-18	2X4-24245-20	22- 3	239-14116-16	11-21	437-83936-00	21-36	737-14241-00	11-46	90170-08193	25-42
2X4-21721-10-98	14-18	2X4-24245-30	22- 3	239-14195-00	11- 5		26-10	802-14161-00	11-36	90170-16111	15-11
2X4-21737-00	10-17	2X4-24770-90	23- 1	248-15668-00	9-12	461-82911-00	21- 4	802-14173-00	11-45	90170-16177	25-47
	14-22	2X4-24771-00	23- 2	256-14135-00	11-41	483-14781-00	12- 3	802-14174-00	11-44	90170-20195	5-10
2X4-22110-00-35	15- 1	2X4-25321-00-98	25-16	275-25327-00	25-26	483-25311-13-98	25- 1	803-82591-00	14-27	90170-20213	16- 8
2X4-22129-00	15- 6	2X4-25330-00	25-17	294-82370-00	26- 4	483-25315-00	25-12		21-37	90175-06012	10-14
2X4-22147-00	15-27	2X4-25355-00	25-22	310-14197-00	11-48	483-25317-01	25-11	808-82370-10	26- 4	90175-06013	17-25
2X4-22153-00	15-13	2X4-25371-00	25-33	313-14146-00	11-16	498-11651-00	4- 4	812-11175-00	1- 6	90179-08148	21-31
2X4-22179-00	15-17	2X4-26111-00	21- 1	322-25118-00	24-25	500-14115-00	11-15	90101-06278	25-23	90179-08243	15-32
2X4-22199-00	15-18	2X4-27200-00-33	17-14	322-25130-00	24-18	509-14136-00	11-26	90101-06291	24-23	90179-10201	1-11
2X4-22210-00	16- 1	2X4-27231-00	17-19	322-25151-00	24-20	509-14155-01	11-32	90101-06304	23- 8	90179-10257	4-22
2X4-22210-00	16- 1	2X4-27412-00	17- 6								
2X4-22219-00	16-11	2X4-27422-00	17- 7								
2X4-22221-00	16- 5	2X4-2811A-00	14-26								
2X4-22223-00	16-14	2X4-2811A-10	14-26								

NUMERICAL INDEX

Part No.	Ref.No.	Part No.	Ref.No.	Part No.	Ref.No.	Part No.	Ref.No.	Part No.	Ref.No.	Part No.	Ref.No.
90179-18172	4-19	90240-12060	15-34	90480-14198	18- 5	91401-20015	25-38	92901-06100	22-10	93104-11056	25-35
90179-20255	6-35	90249-12069	17-24	90501-10062	7-14	91401-20025	17- 4		22-14	93108-35004	15- 7
90179-25033	20- 4	90280-03017	4-20	90501-10245	17-23	91401-30022	15-36		22-17	93109-14021	17-15
90185-08054	14-15	90282-07019	4-21	90501-12081	9- 5	91810-16016	1-10		26- 3	93109-20014	9- 9
90201-06067	10-11	90338-32086	7-12	90501-16107	9-20	91830-22016	2- 3	9290-06200	17-21	93109-22018	15- 8
	18- 2	90339-13005	14-16	90501-24549	5- 7		3- 9		23- 5	93210-14104	3-11
	18-10	90380-12051	16-19	90501-99479	16- 2	92501-06010	2-18	92901-06600	10- 6	93210-29282	4-16
90201-06407	22-18	90380-16056	15- 4	90501-99480	16- 2	92501-06015	10- 5		12-10	93210-31114	25-25
90201-06571	14-20	90381-17027	25-31	90501-99481	16- 2	92501-06020	15-22		13-16	93304-20501	6-30
90201-08083	21- 9	90387-07391	10- 8	90506-16036	24-19	92501-06025	13-14		15-24	93306-20203	24-16
	21-16		18- 6	90506-20192	17-18	92501-06025	26- 2		22-11	93306-20205	24-14
	21-34	90387-07393	22-19	90507-20002	25-18	92501-08010	2-16	92901-08100	12- 5	93306-20309	25-13
90201-08113	12-16	90387-08258	12-15	90507-20030	12- 2	92506-06008	3-12		14- 4	93306-20310	25-14
90201-08544	19-31	90387-08699	25-36	90507-29008	17- 5	92701-06012	6-14		14-36	93306-20515	6-12
90201-12588	8- 5	90387-15535	24-26	90508-10386	7-25		6-29		15-15	93306-20619	4-13
90201-13202	14-33	90387-17650	25-45	90508-14373	5-21		7-29		15-20	93306-90401	7- 9
90201-14536	17-16	90387-17651	25-27	90508-20023	17-11	92901-03100	11-24		19- 9	93310-21874	4-10
90201-15234	9- 6	90387-17700	25-15	90508-32061	9-11	92901-04100	13-12	92901-08200	14-14	93310-42541	4- 6
90201-17257	6-10	90387-25663	6-32	90508-32374	8- 7	92901-04600	13-13		14-37	93311-41734	6-11
90201-17327	5-22	90430-06016	3-13	90560-12171	8- 8	92901-05100	11-17	92901-08600	12- 6	93311-62035	6-27
90201-17545	6-37	90430-08069	5-26	90560-12179	8- 4		13- 7		14- 5	93315-21721	5-24
90201-17682	6- 8	90445-08376	2- 9	90560-15116	24-12		15-29		15-16	93315-23208	7- 8
90201-20278	6-25	90445-09117	22- 6	90564-14021	25-19	92901-05200	15-30		15-21	93317-22214	15- 3
90201-20613	7-10	90445-11182	22-28	91316-06020	10-23	92901-05600	13- 8	92901-12600	15-35	93332-00001	20- 1
90201-20685	9-15	90446-09158	19-40	91316-06025	3- 4	92901-06100	2-13	92901-16100	15-12	93332-00008	20- 2
90201-22555	6- 3	90460-43053	12-12		3- 8		5-14		25-46	93342-22205	15- 2
90201-25287	6-17	90460-51109	10-21	91316-06030	3- 3		10- 9	92901-18100	4-18	93410-15005	9-22
90202-06010	22-27	90460-68120	10-20	91316-06045	2- 4		12- 9	93101-12004	8- 6	93410-17008	6-38
90209-22082	6-20	90460-85138	10-18	91316-06065	2- 5		13-15	93102-17004	5-23	93410-19015	7-11
90209-25085	4- 7	90462-05005	26- 5	91316-06070	2- 6		15-23	93102-20009	24-15	93410-20009	9-14
90215-20125	5-11	90462-08042	2-12	91316-06075	2- 7		18- 4	93102-25030	25-43	93410-20038	6-26
90215-21121	6-34	90462-08043	2-10	91401-20012	17-22		18- 9	93102-32136	6-31		9-17
90240-06040	17-20	90467-10008	22-29		21-35		21- 7	93103-30092	4-14	93410-22039	6- 4
90240-08012	21-33	90480-14102	10- 7	91401-20015	15-33		21-14	93103-40091	4-15	93430-07012	7-27

NUMERICAL INDEX

Part No.	Ref.No.	Part No.	Ref.No.	Part No.	Ref.No.	Part No.	Ref.No.	Part No.	Ref.No.	Part No.	Ref.No.
93430-08006	7-23	95601-06100	23- 4	98501-03008	11-25						
93430-10015	17-17	95601-08100	17-13	98501-04005	16-20						
93430-10016	9- 7	95611-08100	25-37	98501-04008	13-11						
93440-17064	6- 9	95701-08100	20- 9	98501-05016	11-18						
93440-25019	6-18	95801-08016	14-10	98501-05030	13- 6						
93440-32017	7- 4	95811-08090	14-11	98503-05015	21-20						
93450-19052	4-12	95811-08180	14-13	98701-05012	7- 7						
93507-32009	9- 4	95821-08035	20-11	98901-06012	14-19						
93515-32029	5-17	95821-08040	20- 7								
93604-08071	7- 3	95821-08055	20- 8								
93604-18100	7- 5	97301-05010	15-28								
93604-26132	16- 9	97301-06012	22- 9								
93606-14140	7-20		22-13								
93608-30128	8-10	97301-06014	2-14								
94130-21248	24- 8		18- 8								
94130-21520	24- 8										
94145-18521	25- 6	97301-06016	12- 8								
94230-21126	24- 9	97301-06020	17-26								
94240-18098	25- 7	97301-06022	21- 6								
94245-18125	25- 7		21-13								
94327-21071	24-10										
94330-21088	24-10	97301-06025	10-10								
94340-18069	25- 9		18- 3								
94345-18081	25- 9										
94416-21104	24- 7	97301-06035	23- 3								
94421-18015	25- 8	97301-06050	15-25								
94580-11108	25-48	97301-08016	15-19								
94680-11001	25-49	97301-08020	12- 4								
94701-00051	1-12		14-35								
95301-06600	5-13										
	25-24	97301-08025	14- 3								
95301-06700	17-27	97301-08035	15-14								
95301-08600	1- 7	97310-06016	9-27								
95301-08700	25-29	97311-08030	9- 8								
95302-10900	17- 3	97321-06020	8- 3								
95311-08600	19-32	97321-06025	8- 3								
95601-06100	15-26	97321-06035	22-16								
	21-10	97601-03108	10-27								
	21-17	97701-40512	10-15								

