

YAMAHA

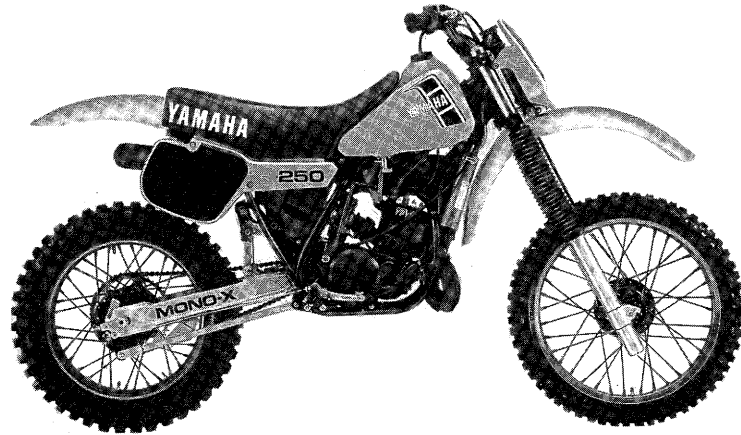
PARTS CATALOGUE

YZ250J'82 (5X5)

125X5-300E1



FOR EUROPE, OCEANIA, OTHERS



FOR CANADA

FOREWORD

This Parts Catalogue is related to the parts in use for the Yamaha YZ250J'82 (5X5).
When you are ordering replacement parts for the YZ250J '82 (5X5), refer to this Parts Catalogue and quote both part numbers and part names correctly.

1. Modifications or additions which have been made after issue of the Parts Catalogue will be announced in the Yamaha Parts News.

It is advisable that according to the Yamaha Parts News you make necessary corrections to the Parts Catalogue on hand to keep it up-to-date.

2. Abbreviations

The following abbreviations are used in this Parts Catalogue.

- U.R. Use size (thickness) and/or number as required.
- U.N. Use as many as you need.
- A.P. Alternate Parts
- L.M. Local Made
- F# Frame No. (Applicable machine No.)

3. The parts marked with (*) in the parts number column of this Catalogue are not supplied with by Yamaha, those have to be found locally.

4. Parts, which are to be supplied in the form of assemblies, are listed with an indention of one letter's space, and a dot (.) is put against the name of each part.

EXAMPLE CARBURETOR ASS'Y
 . JET, pilot
 . NOZZLE, main

5. Indication of No. of constituent parts for assembly

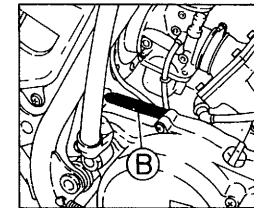
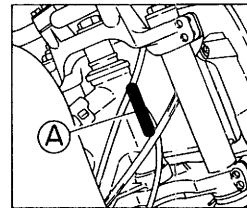
The numeral appearing to the right of each constituent part under the description indicates the quantity of such parts for each individual assembly unit.

EXAMPLE

Part No.	Description	Q'ty	Remarks
2F5-83310-60	FRONT FLASHER LIGHT ASS'Y	2	
115-83311-60	. BULB (6V-18W)	1	
1M1-83309-60	. REFLECTOR	1	

6. Initial Serial No. and Color Code

(A) Frame Serial No.	5X5-000101 and following
(B) Engine Serial No.	5X5-000101 and following



Color Code	Color Name	Abbreviate
	Clean White	

7. Applicable colors of graphics are represented in the "Remarks" column by the letter(s) appropriately picked out of the full word(s) showing such colors.

EXAMPLE

Part No.	Description	Q'ty	Remarks
2N4-24110-00-X5	FUEL TANK COMP.	1	MAXIM RED
3J1-24240-10	. GRAPHIC, fuel tank set	1	for MXR

CONTENTS

ENGINE

Fig. 1	Cylinder	1
Fig. 2	Governor	3
Fig. 3	Crankshaft · Piston	4
Fig. 4	C.D.I Magneto	5
Fig. 5	Water Pump	6
Fig. 6	Radiator Hose	7
Fig. 7	Intake	8
Fig. 8	Carburetor	10
Fig. 9	Exhaust	11
Fig. 10	Crankcase	12
Fig. 11	Crankcase Cover	13
Fig. 12	Kick Starter	14
Fig. 13	Clutch	15
Fig. 14	Transmission	16
Fig. 15	Shift Cam · Fork	18
Fig. 16	Shift Shaft · Pedal	19

CHASSIS

Fig. 17	Frame · Tool	20
Fig. 18	Front Fender · Rear Fender	21
Fig. 19	Side Cover	22
Fig. 20	Rear Arm	23
Fig. 21	Rear Suspension	25
Fig. 22	Steering	27
Fig. 23	Front Fork	29
Fig. 24	Fuel Tank	32
Fig. 25	Seat	34
Fig. 26	Front Wheel	35
Fig. 27	Rear Wheel	37
Fig. 28	Handlebar · Cable	39
Fig. 29	Stand · Footrest	41

Fig. 30	Electrical 1	42
Fig. 31	Handle Switch · Lever	43

EXCLUSIVE FOR EUROPE

Fig. 32	Carburetor	44
---------	------------	----

EXCLUSIVE FOR CANADA

Fig. 33	Rear Suspension	45
Fig. 34	Front Fork	46

ALTERNATE PARTS

Fig. 35	Alternate (Chassis)	49
---------	---------------------	----

REPAIR KIT

Fig. 36	Repair Kit	50
---------	------------	----

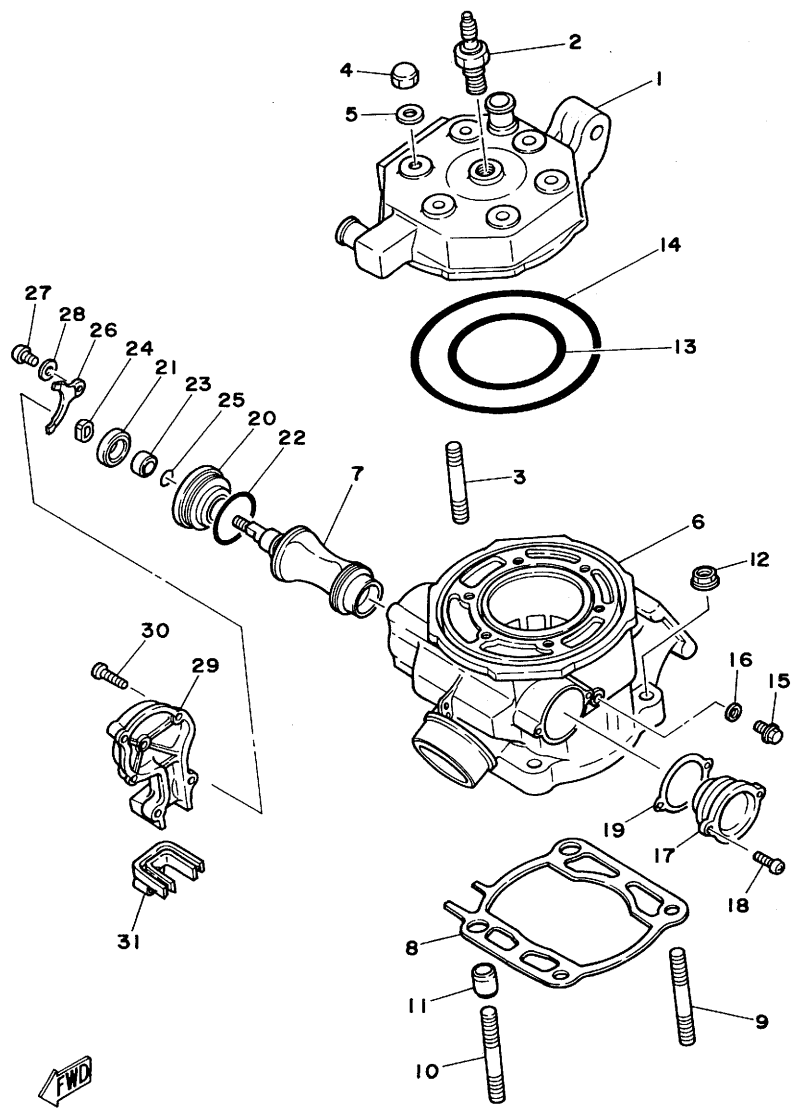
INDEX

Numerical Index

Parts Name Index

11/0 82008 2/2
12-1-82

FIG. 1 CYLINDER



REF. NO.	PART NO.	DESCRIPTION	Q'TY	REMARKS
1	5X5-11111-00	HEAD, cylinder 1	1	
2	* 08391	PLUG, sPark (CHAMPION N-86)	1	LM
3	90116-08025	BOLT, stud	6	
4	90176-08026	NUT, crown	6	
5	90201-08087	WASHER, Plate	6	
6	5X5-11311-00	CYLINDER 1	1	
7	5X5-1131A-00	VALVE 1	1	
8	5X5-11351-00	GASKET, cylinder	1	
9	90116-10313	BOLT, stud	2	
10	90116-10314	BOLT, stud	2	
11	91830-24016	PIN, dowel	2	
12	90179-10292	NUT	4	
13	93210-82153	O-RING	1	
14	93211-31513	O-RING	1	
15	95806-06012	BOLT, flange	1	
16	90430-06166	GASKET	1	
17	5X5-W1132-00	HOLDER 1	1	
18	98506-05012	SCREW, Pan head	2	
19	5X5-1131N-00	GASKET, holder	1	
20	5X5-W1133-00	HOLDER 2	1	
21	93104-16074	OIL SEAL	1	
22	93210-35512	O-RING	1	
23	90387-102F3	COLLAR	1	
24	5X5-11937-00	BOSS, lever	1	
25	93210-09192	O-RING	1	
26	5X5-11915-00	PLATE, thrust 1	1	
27	98501-05012	SCREW, Pan head	1	
28	92901-05100	WASHER, sPring	1	

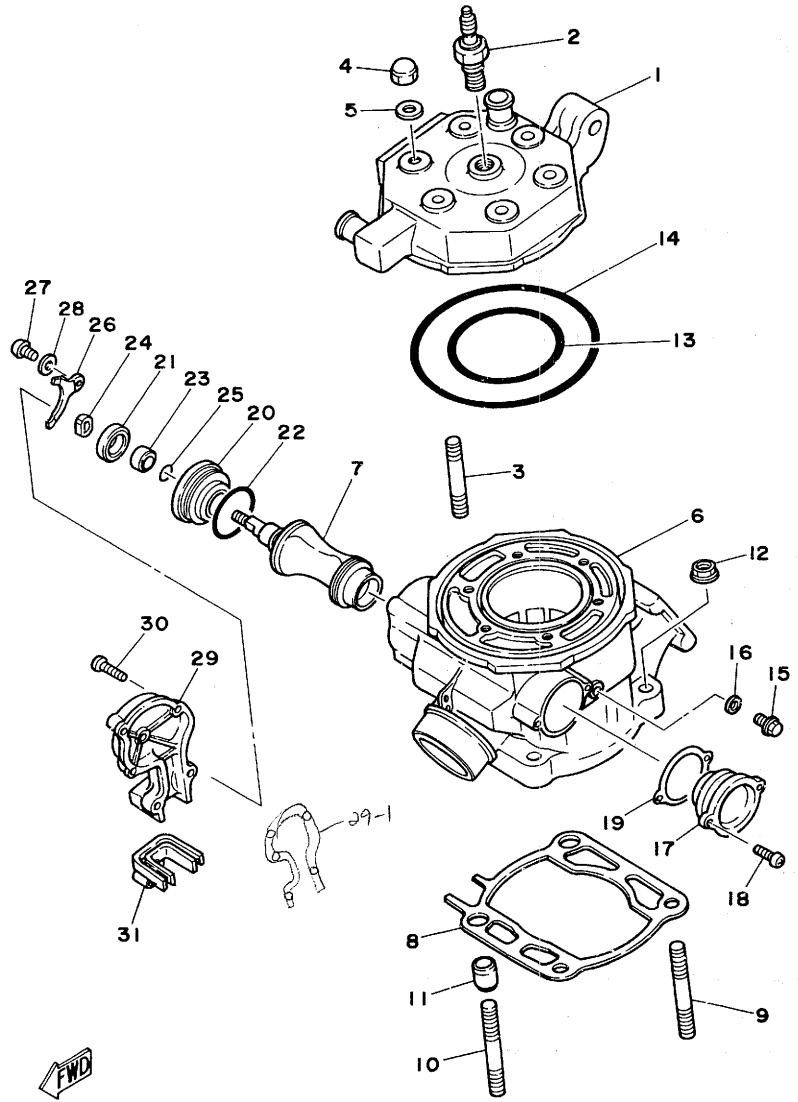
FWD
5X5100-2010

B2

M/C 82008-1/2
12-1-82

FIG. 1 CYLINDER

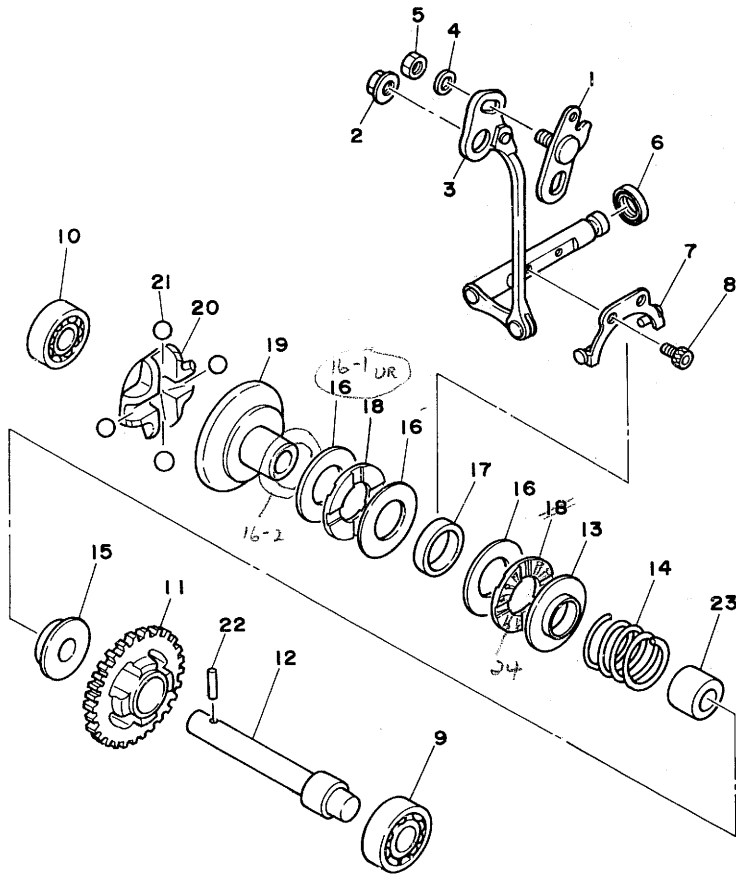
REF. NO.	PART NO.	DESCRIPTION	Q'TY	REMARKS
29	5X5-11992-00	HOUSING 2	1	
29-1	5X5-11993-00	GASKET	1	
30	98506-05020	SCREW, Pan head	5	
31	5X5-11995-00	SEAL, housing	1	



FWD
5X5100-2010

B3

FIG. 2 GOVERNOR



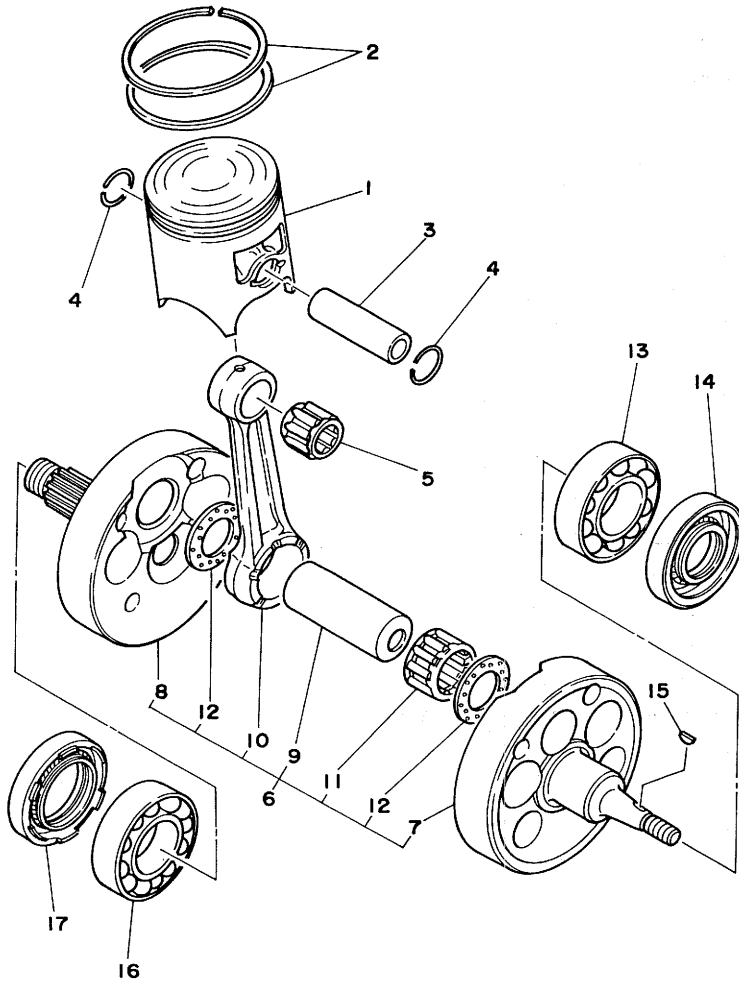
REF. NO.	PART NO.	DESCRIPTION	Q'TY	REMARKS
1	5X5-11931-00	LEVER	1	
2	90179-05376	NUT	1	
3	5X5-11990-00	PUSH ROD ASSY	1	
4	92901-05600	WASHER, Plate	1	
5	95601-05100	NUT, u	1	
6	93104-08040	OIL SEAL	1	
7	5X5-11922-00	FORK, Governor	1	
8	91316-04006	BOLT	2	
9	93306-00006	BEARING	1	
10	93300-60801	BEARING (B0060)	1	
11	5X5-11953-00	GEAR, Governor (29T)	1	
12	5X5-11921-00	SHAFT, Governor	1	
13	5X5-11951-00	PLATE	1	
14	90501-26662	SPRING, compression	1	
15	5X5-11952-00	PLATE	1	
16	90201-151A7	WASHER, plate $t=1.0$	2	1 UR
16-1	90201-151A7	" " $t=1.0$	1	UR
17	90387-152F2	COLLAR	1	
18	90380-15104	BUSH, solid	1	1
19	5X5-11912-00	RETAINER, weight	1	
20	5X5-11911-00	RETAINER	1	
21	93521-64032	BALL	4	
22	93603-14179	PIN, dowel	1	
23	90387-083F4	COLLAR	1	
24	93340-01505	BEARING	1	ADDED.
16-1	90201-154FS	WASHER PLATE ($t=0.8$)	1	UR
16-2	90201-154FB	" " ($t=0.2$)	1	UR



5X5100-2020

B4

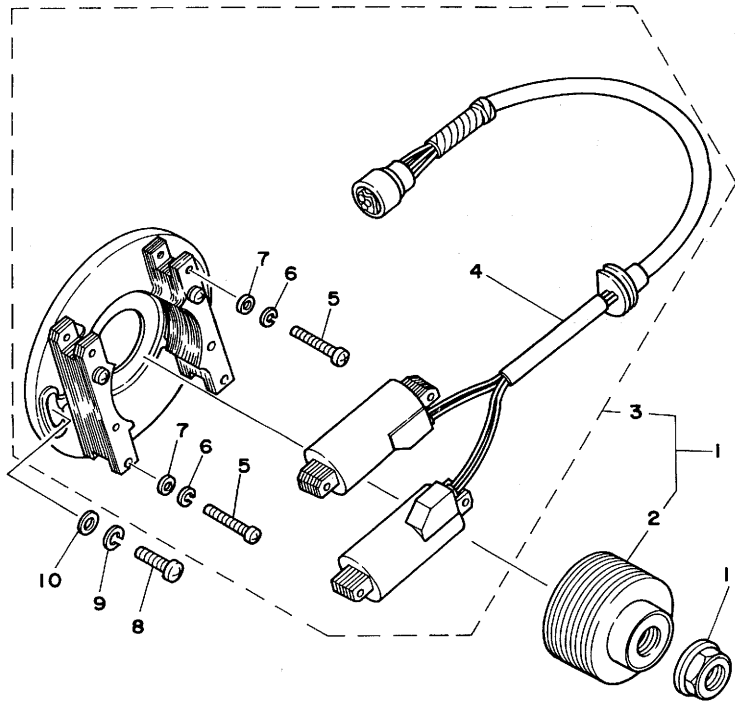
FIG. 3 CRANKSHAFT•PISTON



REF. NO.	PART NO.	DESCRIPTION	Q'TY	REMARKS
1	5X5-11631-00-94	PISTON (STD)	1	UR
	5X5-11631-00-95	PISTON (STD)	1	UR
	5X5-11635-00	PISTON (1ST O/S 0.25MM)	1	AP
	5X5-11636-00	PISTON (2ND O/S 0.50MM)	1	AP
	5X5-11637-00	PISTON (3RD O/S 0.75MM)	1	AP
	5X5-11638-00	PISTON (4TH O/S 1.00MM)	1	AP
2	5X5-11601-00	PISTON RING SET (STD)	1	
	5X5-11601-10	PISTON RING SET (1ST O/S)	1	AP
	5X5-11601-20	PISTON RING SET (2ND O/S)	1	AP
	5X5-11601-30	PISTON RING SET (3RD O/S)	1	AP
	5X5-11601-40	PISTON RING SET (4TH O/S)	1	AP
3	214-11633-00	PIN, Piston	1	
4	93450-19052	CIRCLIP	2	
5	93310-418E9	BEARING, cylindrical	1	
6	5X5-11400-00	CRANKSHAFT ASSY	1	
7	3R4 5X5-11412-00	•CRANK 1	1	
8	5X5-11422-00	•CRANK 2	1	
9	2X4-11681-00	•PIN, crank 1	1	
10	5X5-11651-00	•ROD, connecting	1	
11	93310-42541	•BEARING, cylindrical	1	
12	90209-25220	•WASHER	2	
13	93306-20627	BEARING	1	
14	93103-30092	OIL SEAL	1	
15	90280-03017	KEY, woodruff	1	
16	93306-20627	BEARING	1	
17	93103-40091	OIL SEAL	1	

FIG. 4 C.D.I MAGNETO

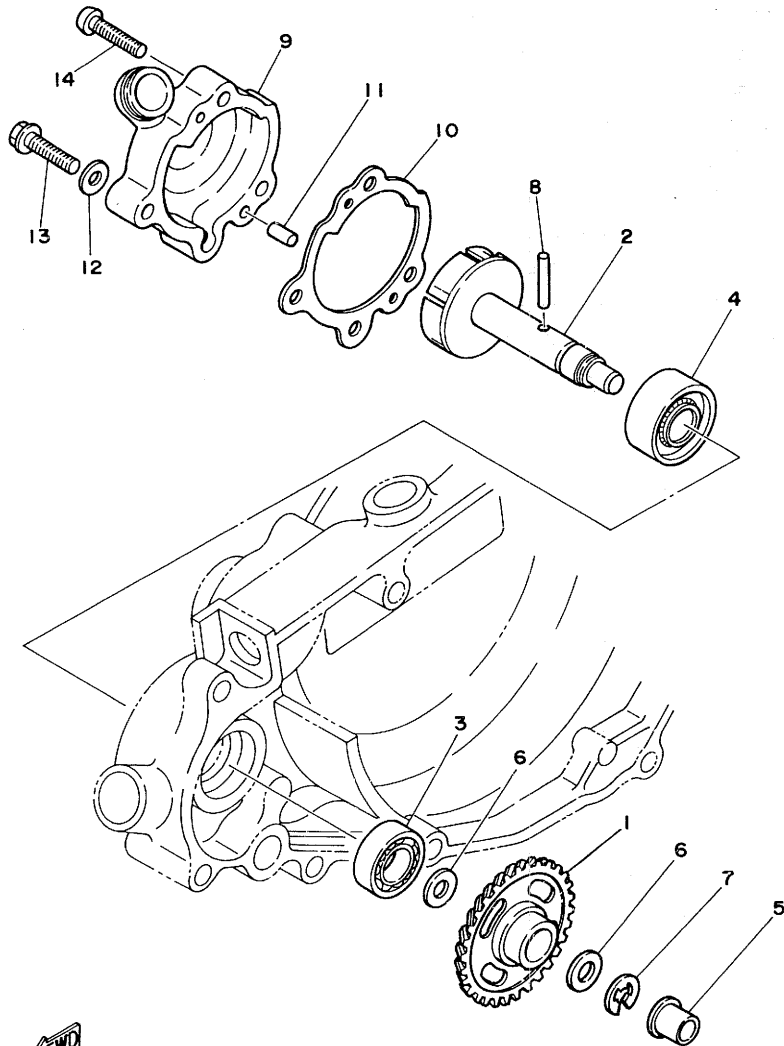
REF. NO.	PART NO.	DESCRIPTION	Q'TY	REMARKS
1	5X5-85500-10	C.D.I. MAGNETO ASSY	1	
2	5X5-85550-10	•ROTOR ASSY	1	
3	5X5-85510-10	•STATOR ASSY	1	
4	5X5-85520-10	••COIL, charge	1	
5	98501-05020	••SCREW, Pan head	6	
6	92902-05100	••WASHER, sPring	6	
7	92901-05600	••WASHER, Plate	6	
8	92501-06025	SCREW, Pan head	2	
9	92901-06100	WASHER, sPring	2	
10	92901-06600	WASHER, Plate	2	
11	90179-10257	NUT	1	




5X5100-2040

B6

FIG. 5 WATER PUMP



REF. NO.	PART NO.	DESCRIPTION	Q'TY	REMARKS
1	5X5-12459-00	GEAR, imPeller shaft (31T)	1	
2	5X5-12450-00	IMPELLER SHAFT ASSY	1	
3	93306-00105	BEARING (B6001)	1	
4	93103-12119	OIL SEAL	1	
5	90381-08002	BUSH, solid	1	
6	90201-12164	WASHER, Plate	2	
7	93430-08006	CIRCLIP	1	
8	93603-22028	PIN, dowel	1	
9	5X5-12422-00	COVER, housing	1	
10	5X5-12428-00	GASKET, housing cover 2	1	
11	93604-10011	PIN, dowel	2	
12	90430-06166	GASKET	1	
13	95826-06025	BOLT, flange	1	
14	92506-06025	SCREW, Pan head	3	

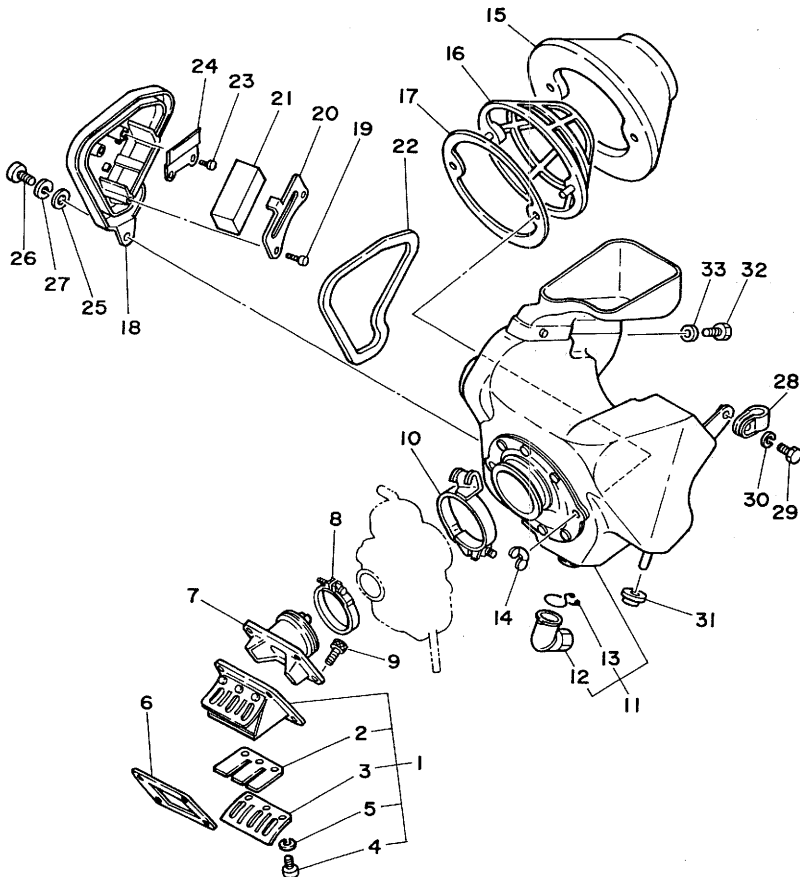


5X5100-2050

B7

FIG. 7 INTAKE

REF. NO.	PART NO.	DESCRIPTION	Q'TY	REMARKS
1	3R5-13610-00	REED VALVE ASSY	1	
2	3R5-13613-00	•REED, valve	2	
3	2X5-13616-00	•STOPPER, reed valve	2	
4	98501-03008	•SCREW, Pan head	6	
5	92903-03100	•WASHER, sPring	6	
6	2K7-13621-00	GASKET, valve seat	1	
7	3R4-13565-00	JOINT, carburetor	1	
8	90460-51109	CLAMP, hose	1	
9	91316-06020	BOLT	4	
10	90460-68120	CLAMP, hose	1	
11	5X5-14401-00	AIR CLEANER CASE ASSY	1	
12	1W1-14457-01	•SEAL	1	
13	90467-20030	•CLIP	1	
14	90175-06012	NUT, wing	2	
15	3R4-W1442-01	ELEMENT, air cleaner	1	
16	3R4-14458-00	GUIDE	1	
17	4V4-14459-00	HOLDER, guide	1	
18	5X5-14412-00	CAP, cleaner case 1	1	
19	97702-40116	SCREW, tapping	2	
20	5X5-1441L-00	PANEL 1	1	
21	3R4-21732-00	SEAL 1	1	
22	5X5-14452-00	SEAL	1	
23	97702-40112	SCREW, tapping	2	
24	5X5-14436-00	HOOK	1	
25	92906-06200	WASHER, Plain	1	
26	92506-06016	SCREW, Pan head	1	
27	92906-06100	WASHER, sPring	1	
28	4V4-14499-00	STAY 2	1	



5X5100-2070

B9

FIG. 7 INTAKE

REF. NO.	PART NO.	DESCRIPTION	Q'TY	REMARKS
29	97301-06016	BOLT	1	
30	92901-06100	WASHER, sPring	1	
31	90480-13197	GROMMET	1	
32	97301-06012	BOLT	1	
33	92901-06100	WASHER, sPring	1	

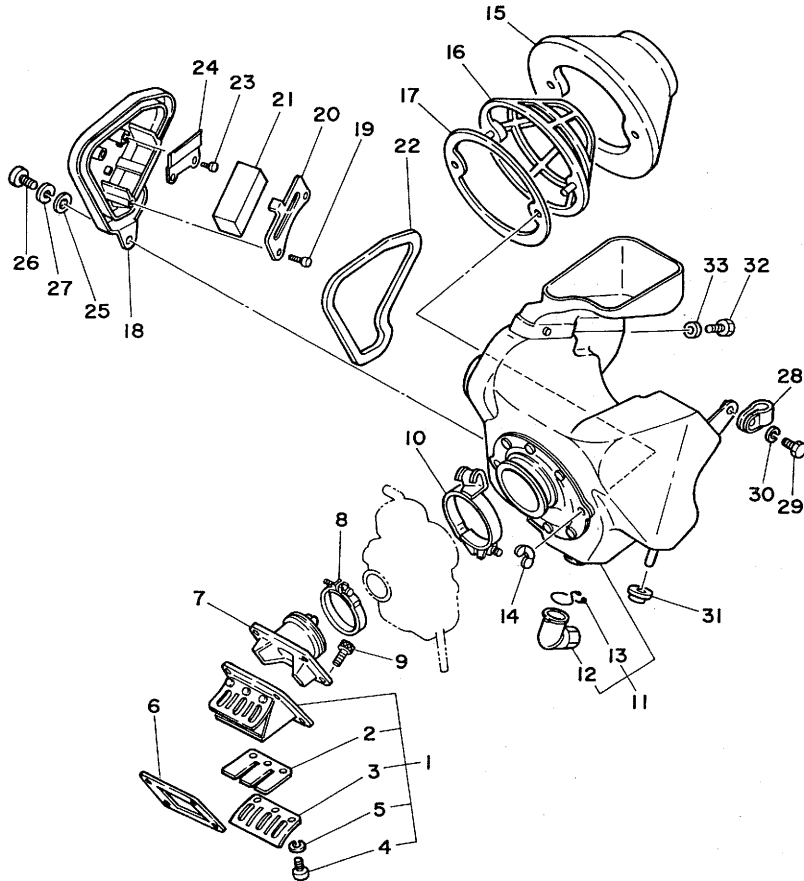
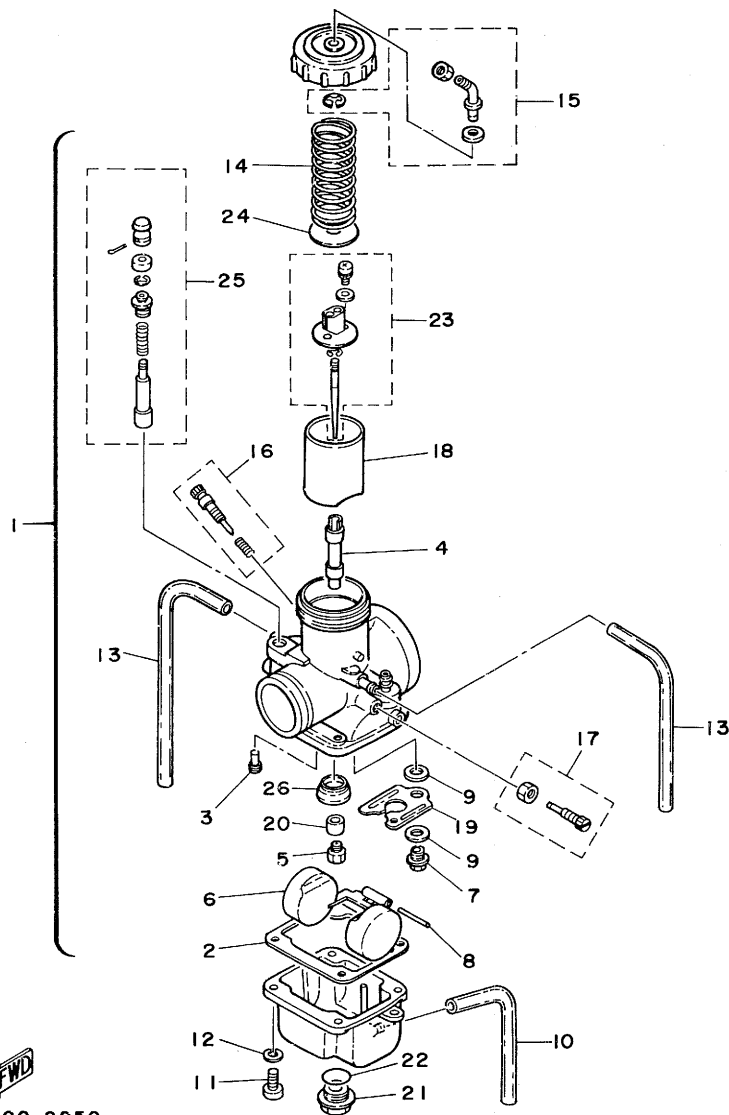


FIG. 8 CARBURETOR

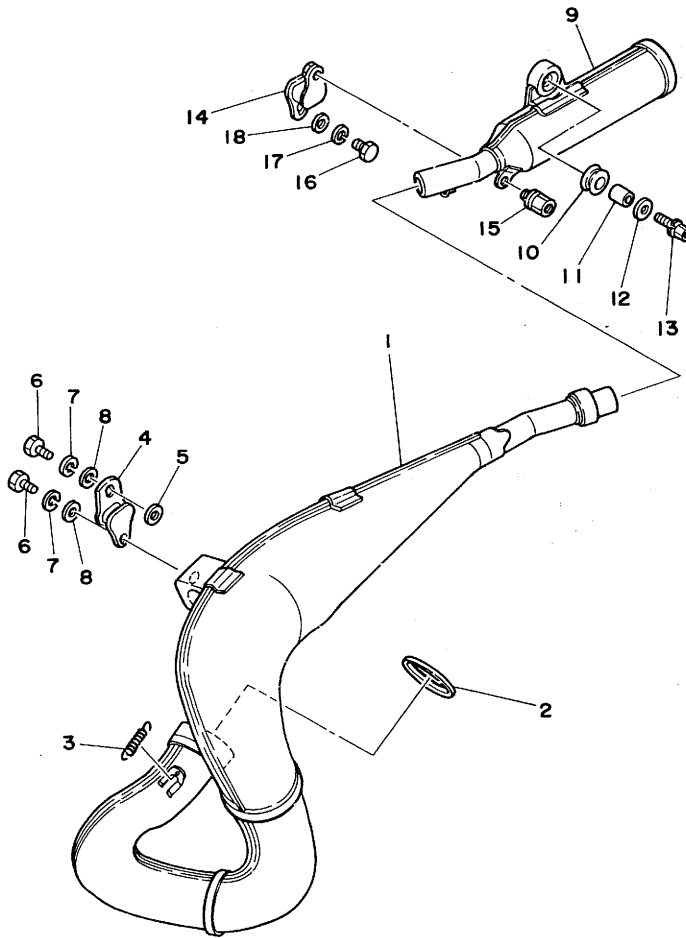


REF. NO.	PART NO.	DESCRIPTION	Q'TY	REMARKS
1	5X5-14101-00	CARBURETOR ASSY 1	1	
2	363-14184-00	•GASKET, float chamber	1	
3	193-14142-45	•JET, Pilot (#45.0)	1	
4	510-14141-50	•NOZZLE, main	1	
5	137-14143-74	•JET, main (#370)	1	UR STD
	137-14143-72	•JET, main (#360)	1	UR
	137-14143-76	•JET, main (#380)	1	UR
6	2N7-14185-00	•FLOAT	1	
7	363-14190-35	•NEEDLE VALVE ASSY	1	
8	537-14186-00	•PIN, float	1	
9	239-14195-00	•WASHER, needle valve	2	
10	2K7-14197-00	•PIPE	;	
11	98501-05016	•SCREW, Pan head	4	
12	92902-05100	•WASHER, spring	4	
13	310-14197-00	•PIPE	2	
14	431-14131-00	•SPRING, throttle valve	1	
15	3R4-W1415-00	•ADJUSTER SET	1	
16	152-W1412-00	•AIR SCREW SET	1	
17	2A0-W1411-00	•THROTTLE SCREW SET	1	
18	2X8-14112-30	•VALVE, throttle 1	1	
19	3R4-14146-00	•PLATE	1	
20	509-14145-00	•SETTER, needle Jet	1	
21	510-14115-00	•PLUG, screw	1	
22	558-14147-00	•O-RING	1	
23	239-W1418-01	•NEEDLE SET (6F16)	1	
24	509-14136-00	•SEAT, spring	1	
25	737-W1414-00	•STARTER PLUNGER SET	1	
26	5X5-14153-00	•WASHER, main Jet	1	

FWD
5X6100-2050

B11

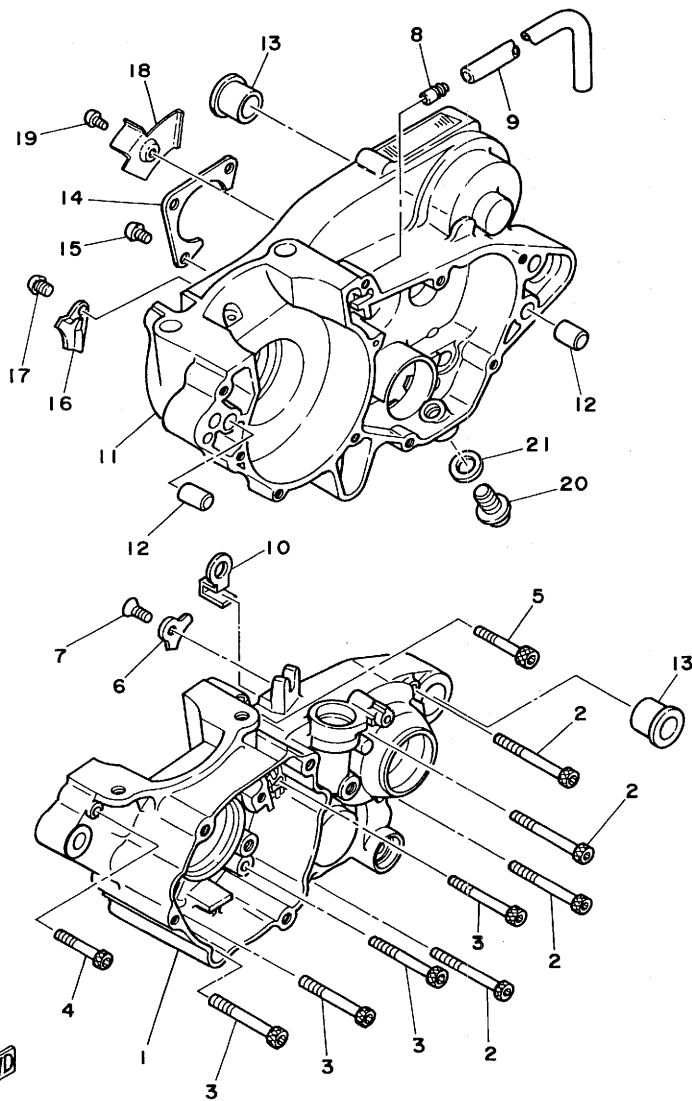
FIG. 9 EXHAUST



REF. NO.	PART NO.	DESCRIPTION	Q'TY	REMARKS
1	5X5-14610-00	EXHAUST PIPE ASSY 1	1	
2	3R4-14613-00	GASKET, exhaust Pipe	1	
3	90507-20030	SPRING, tension	3	
4	3R4-14781-02	STAY, muffler 2	1	
5	92901-08200	WASHER, Plain	1	
6	97301-08016	BOLT	2	
7	92901-08100	WASHER, sPring	2	
8	92901-08600	WASHER, Plate	2	
9	5X5-14753-10	SILENCER, exhaust	1	UR for euroPe, others, oceania (except australia, n.s.w)
	5X5-14753-00	SILENCER, exhaust	1	UR for canada
	4V3-14753-11	SILENCER, exhaust	1	UR for australia, n.s.w
10	565-14747-00	DAMPER, muffler	1	
11	90387-08258	COLLAR	1	
12	90201-08114	WASHER, Plate	1	
13	90109-08512	BOLT	1	
14	565-14771-00	STAY, muffler 1	1	
15	90109-06551	BOLT	1	
16	97301-06016	BOLT	1	
17	92901-06100	WASHER, sPring	1	
18	92901-06600	WASHER, Plate	1	

FWD
5X5100-2090

FIG. 10 CRANKCASE

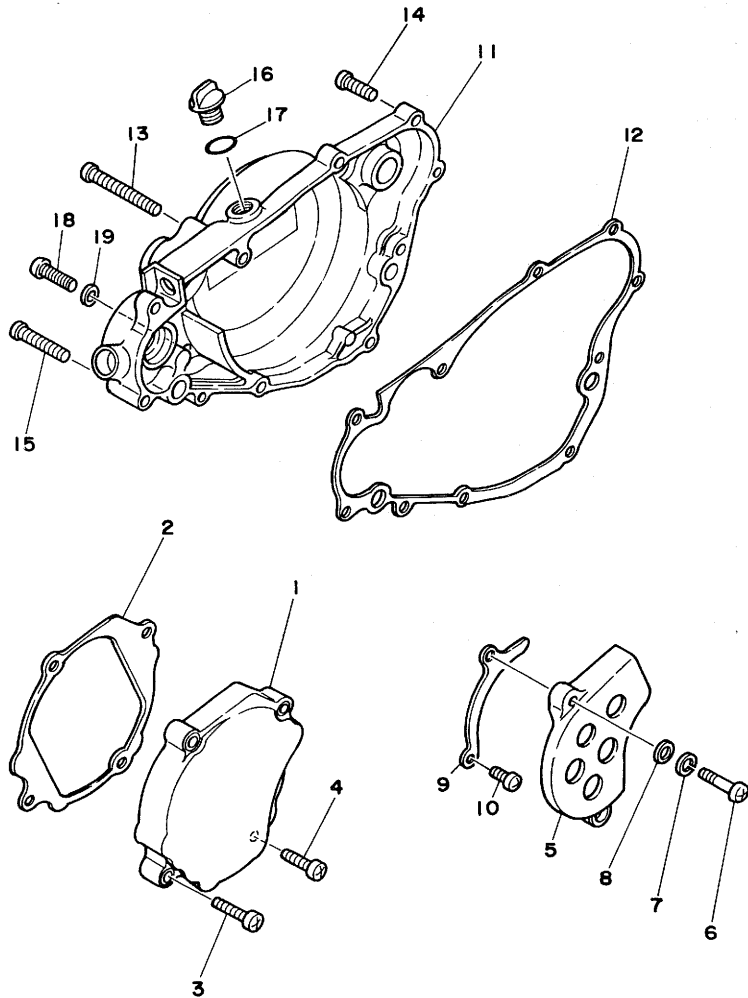


REF. NO.	PART NO.	DESCRIPTION	Q'TY	REMARKS
1	5X5-15111-00	CRANKCASE 1	1	
2	91316-06060	BOLT	4	
3	91316-06055	BOLT	4	
4	91316-06045	BOLT	1	
5	91316-06040	BOLT	1	
6	3R4-15383-01	PLATE, bearing cover	2	
7	92701-06012	SCREW, flat head	2	
8	137-13115-00	CONNECTOR, suction Pipe	1	
9	90445- 08270 ⁰⁸⁶⁰⁵	HOSE	1	
10	3R4-26393-01	HOLDER	1	
11	5X5-15121-00	CRANKCASE 2	1	
12	91810-05016	PIN, dowel	4	
13	90387-16776	COLLAR	2	
14	3R4-15381-00	PLATE, bearing cover	1	
15	92501-06012	SCREW, Pan head	3	
16	3R4-15118-00	HOLDER	1	
17	92501-08010	SCREW, Pan head	1	
18	5X5-15113-00	PLATE	1	
19	92501-06012	SCREW, Pan head	1	
20	90340-12059	PLUG, straight screw	1	
21	90430-12038	GASKET	1	

5X5100-2100

B13

FIG. 11 CRANKCASE COVER

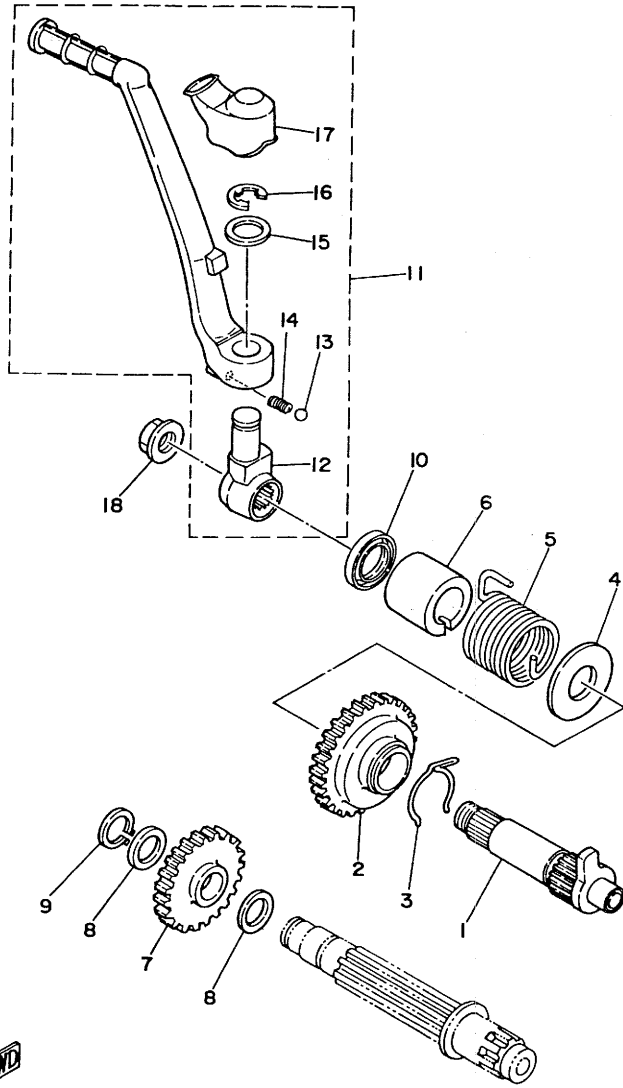


REF. NO.	PART NO.	DESCRIPTION	Q'TY	REMARKS
1	5X5-15411-00	COVER, crankcase 1	1	
2	5X5-15451-00	GASKET, crankcase cover	1	
3	92506-06030	SCREW, Pan head	3	
4	92506-06025	SCREW, Pan head	1	
5	3R4-15421-00.	COVER, crankcase 2	1	
6	92506-06030	SCREW, Pan head	1	
7	92906-06100	WASHER, sPring	1	
8	92906-06600	WASHER, Plate	1	
9	^{DISUSED} 4V5-17446-00	PLATE	1	
10	92506-06012	SCREW, Pan head	1	
11	5X5-15431-00	COVER, crankcase 3	1	
12	5X5-15462-00	GASKET, crankcase cover 3	1	
13	92506-06065	SCREW, Pan head	1	
14	92506-06025	SCREW, Pan head	8	
15	92506-06040	SCREW, Pan head	1	
16	1G8-15362-00	PLUG, oil level	1	
17	93210-14104	O-RING	1	
18	92506-06008	SCREW, Pan head	1	
19	90430-06016	GASKET	1	


5X5100-2110

B14

FIG. 12 KICK STARTER



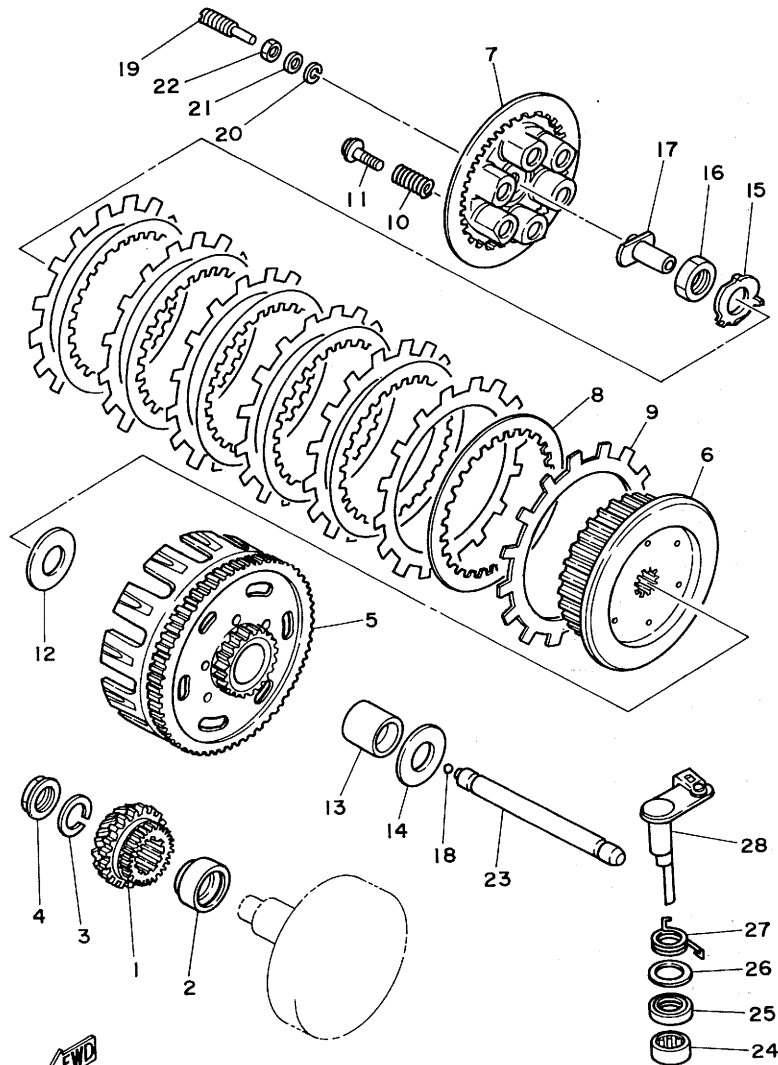
REF. NO.	PART NO.	DESCRIPTION	Q'TY	REMARKS
1	5X5-15660-00	KICK AXLE ASSY	1	
2	3R4-15641-00	GEAR, kick (26T)	1	
3	90468-26048	CLIP	1	
4	90201-20358	WASHER, Plate	1	
5	90508-30422	SPRING, torsion	1	
6	3R4-15664-00	GUIDE, sPring	1	
7	3R4-15651-00	GEAR, sProcket idle (21T)	1	
8	90201-17545	WASHER, Plate	2	
9	93410-17008	CIRCLIP	1	
10	93109-20014	OIL SEAL	1	
11	3R4-15620-00	KICK CRANK ASSY	1	
12	3R4-15621-01	•BOSS, kick crank	1	
13	93507-32009	•BALL	1	
14	90501-12081	•SPRING, comPrission	1	
15	90201-15234	•WASHER, Plate	1	
16	93430-10016	•CIRCLIP	1	
17	2K7-15618-00	•COVER, kick lever	1	
18	90179-12244	NUT	1	



5X6100-2090

B15

FIG. 13 CLUTCH



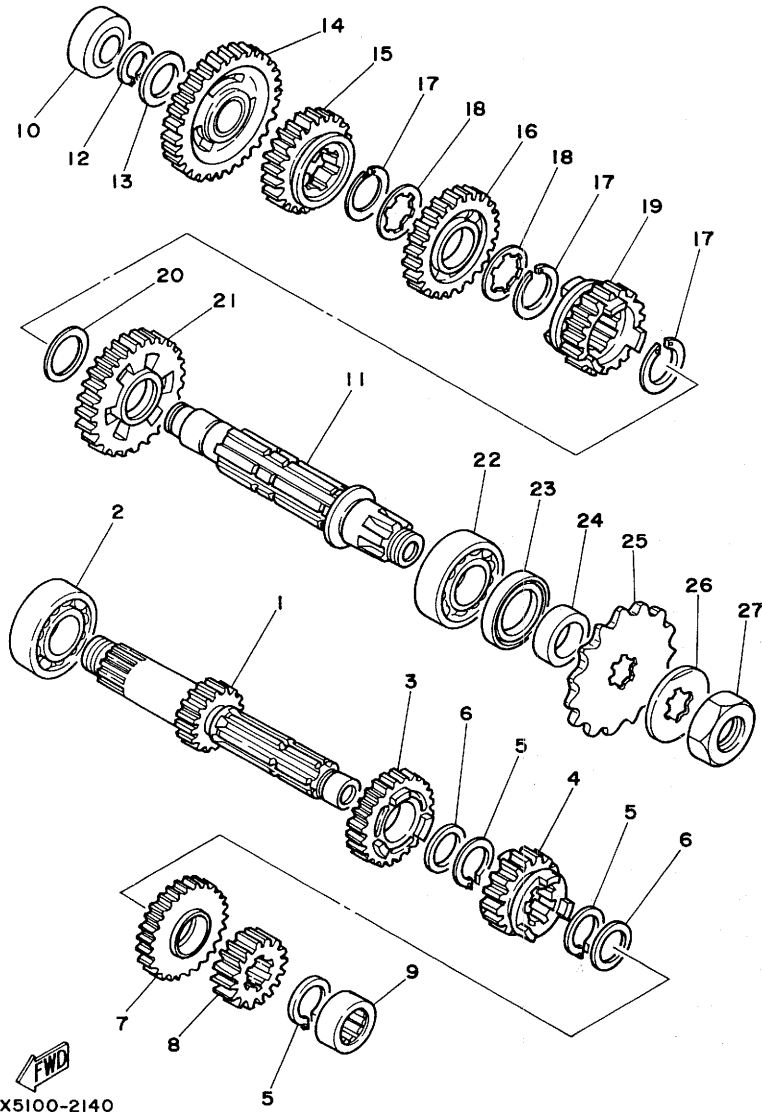
5X5100-2130

C2

REF. NO.	PART NO.	DESCRIPTION	Q'TY	REMARKS
1	5X5-16110-00	PRIMARY GEAR ASSY (24T,29t)	1	
2	90387-252F6	COLLAR	1	
3	92901-18100	WASHER, sPring	1	
4	90170-18089	NUT	1	
5	5X5-16150-00	PRI. DRIVEN GEAR COMP.(63T)	1	
6	3R4-16371-00	BOSS, clutch	1	
7	1M1-16351-00	PLATE, Pressure 1	1	
8	5X5-16325-00	PLATE, clutch 2	6	
9	5X5-16321-00	PLATE, friction	7	
10	90501-23138	SPRING, comPression	6	
11	90159-06016	SCREW, with washer	6	
12	2K7-16154-00	PLATE, thrust 1	1	
13	2K7-16181-00	SPACER 1	1	
14	2K7-16154-00	PLATE, thrust 1	1	
15	90215-20125	WASHER, lock	1	
16	90170-20255	NUT	1	
17	3R4-16356-00	ROD, Push 1	1	
18	93515-32029	BALL	1	
19	90149-08169	SCREW	1	
20	92901-08100	WASHER, sPring	1	
21	90201-08092	WASHER, Plate	1	
22	95311-08700	NUT	1	
23	2K7-16357-00	ROD, Push 2	1	
24	93315-21721	BEARING, cylindrical	1	
25	93102-17004	OIL SEAL	1	
26	90201-17327	WASHER, Plate	1	
27	90508-14423	SPRING, torsion	1	
28	4V4-16380-00	PUSH LEVER ASSY	1	

FIG. 14 TRANSMISSION

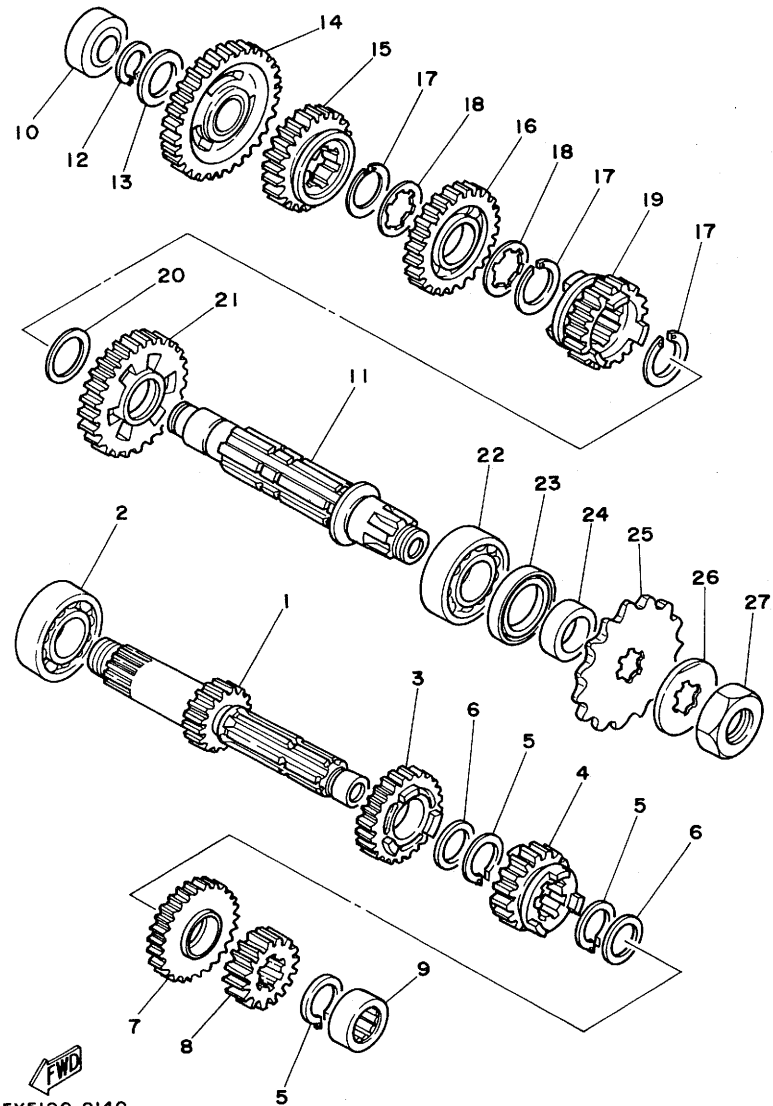
REF. NO.	PART NO.	DESCRIPTION	Q'TY	REMARKS
1	5X5-17411-00	AXLE, main (14T)	1	
2	93306-20542	BEARING	1	
3	5X5-17141-00	GEAR, 4th Pinion (21T)	1	
4	5X5-17131-00	GEAR, 3rd Pinion (17T)	1	
5	93410-22039	CIRCLIP	3	
6	90201-22555	WASHER, Plate	2	
7	5X5-17151-00	GEAR, 5th Pinion (23T)	1	
8	5X5-17121-00	GEAR, 2nd Pinion (16T)	1	
9	93311-41734	BEARING, cylindrical	1	
10	93311-62035	BEARING, cylindrical	1	
11	5X5-17421-00	AXLE, drive	1	
12	93410-20038	CIRCLIP	1	
13	90201-20278	WASHER, Plate	1	
14	5X5-17211-00	GEAR, 1st wheel (30T)	1	
15	5X5-17241-00	GEAR, 4th wheel (24T)	1	
16	5X5-17231-00	GEAR, 3rd wheel (24T)	1	
17	93440-25084	CIRCLIP	3	
18	90209-22082	WASHER	2	
19	5X5-17251-00	GEAR, 5th wheel (22T)	1	
20	90201-25287	WASHER, Plate	1	
21	5X5-17221-00	GEAR, 2nd wheel (29T)	1	
22	93306- ²⁰⁵⁵² 20544	BEARING	1	
23	93102-32M07	OIL SEAL	1	
24	90387-25663	COLLAR	1	
25	1W4-17461-30	SPROCKET, drive (13T)	1	STD
	1W4-17461-40	SPROCKET, drive (14T)	1	AP
	1W4-17461-50	SPROCKET, drive (15T)	1	AP
26	90215-21121	WASHER, lock	1	



5X5100-2140

C3

FIG. 14 TRANSMISSION

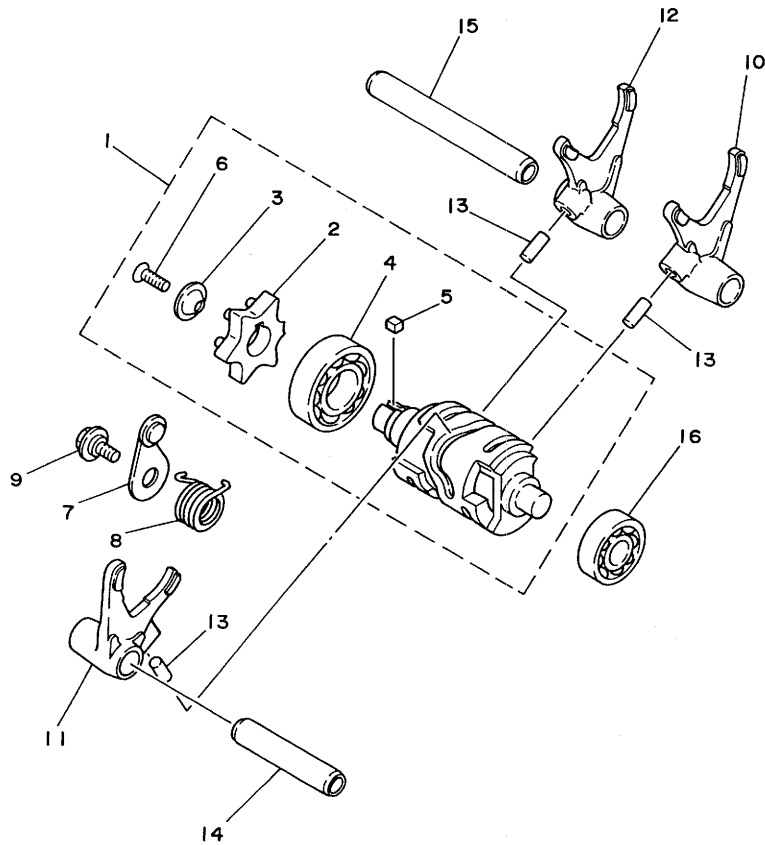


5X5100-2140

C4

REF. NO.	PART NO.	DESCRIPTION	Q'TY	REMARKS
27	90179-20255	NUT	1	

FIG. 15 SHIFT CAM•FORK

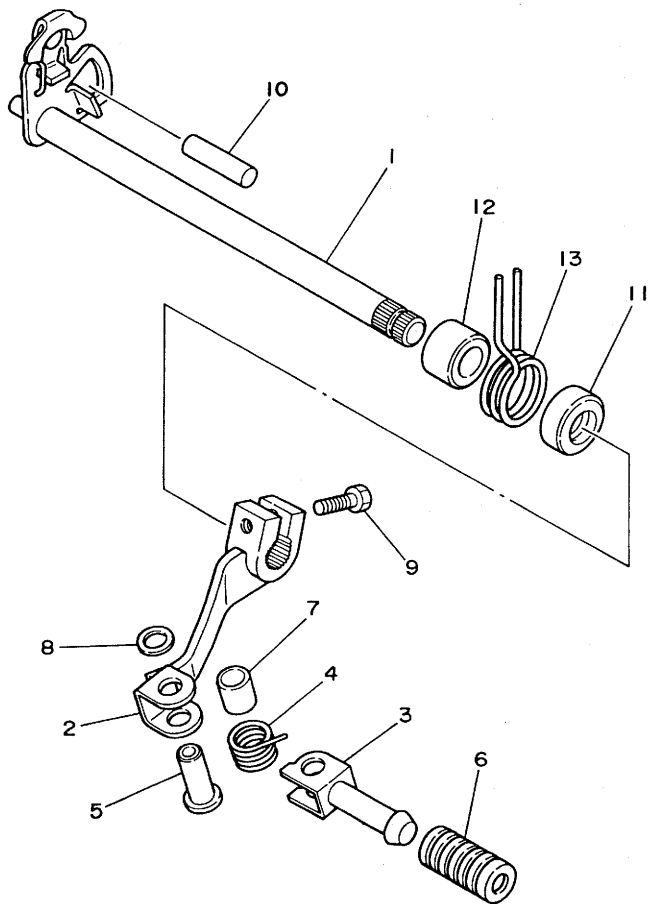


REF. NO.	PART NO.	DESCRIPTION	Q'TY	REMARKS
1	3R5-18540-03	SHIFT CAM ASSY	1	
2	3R4-18185-00	•SEGMENT	1	
3	3R4-18561-00	•PLATE, side 1	1	
4	93306-00422	•BEARING	1	
5	90282-04036	•KEY, straight	1	
6	98701-05016	•SCREW, flat head	1	
7	3R4-18140-00	STOPPER LEVER ASSY	1	
8	90508-26421	SPRING, torsion	1	
9	1W1-18177-00	BOLT, stopPer	1	
10	5X5-18511-00	FORK, shift 1	1	
11	4V3-18512-00	FORK, shift 2	1	
12	5X5-18513-00	FORK, shift 3	1	
13	93606-14154	PIN, dowel	3	
14	5X5-18531-00	BAR, shift fork guide 1	1	
15	5X5-18535-00	BAR, shift fork guide 2	1	
16	93306-00106	BEARING	1	

5X5100-2150

C5

FIG. 16 SHIFT SHAFT•PEDAL



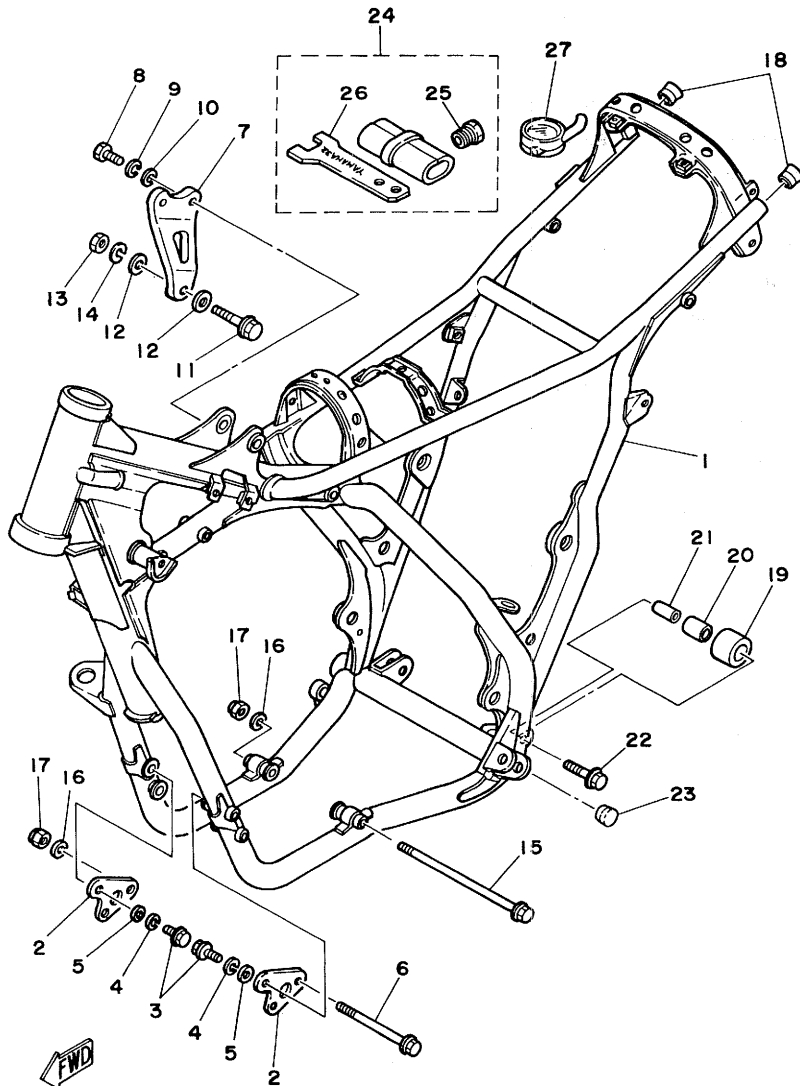
REF. NO.	PART NO.	DESCRIPTION	Q'TY	REMARKS
1	5X5-18101-00	SHIFT SHAFT ASSY	1	
2	5X5-18111-00	PEDAL, shift	1	
3	5X4-18162-00	PEDAL, shift	1	
4	90508- 14516 ¹⁶⁵⁵⁸	SPRING, torsion	1	
5	90243-08020	PIN	1	
6	1W6-18113-00	COVER, shift Pedal	1	
7	90446-11180	HOSE	1	
8	90201-06042	WASHER, Plate	1	
9	97321-06020	BOLT	1	
10	93608-25150	PIN, dowel	1	
11	93101-12004	OIL SEAL	1	
12	90560-12171	SPACER	1	
13	90508-29361	SPRING, torsion	1	



5X5100-2160

C6

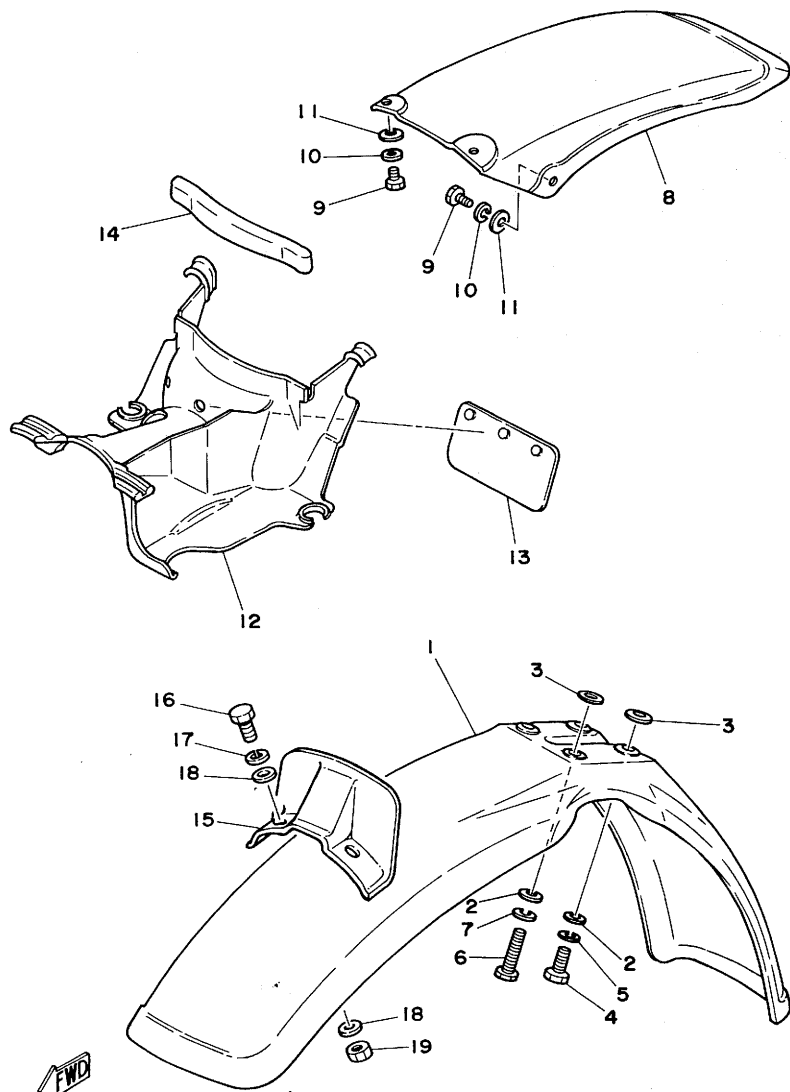
FIG. 17 FRAME. TOOL



5X5100-2170

REF. NO.	PART NO.	DESCRIPTION	Q'TY	REMARKS
1	5X5-21110-00-33	FRAME COMP	1	yamaha black
2	5X5-21415-00	BRACKET, front upper 1	2	
3	97321-08020	BOLT	4	
4	92901-08100	WASHER, sPring	4	
5	92901-08600	WASHER, Plate	4	
6	95811-08100	BOLT, flanGe	1	
7	5X5-21425-00	BRACKET, rear upper 1	1	
8	97311-08025	BOLT	2	
9	92901-08100	WASHER, sPring	2	
10	92901-08200	WASHER, Plate	2	
11	95811-10055	BOLT, flanGe	1	
12	90201-10141	WASHER, Plate	2	
13	95601-10100	NUT, u	1	
14	92901-10100	WASHER, sPring	1	
15	95811-08180	BOLT, flanGe	1	
16	92901-08200	WASHER, Plain	2	
17	90185-08089	NUT, self-locking	2	
18	90339-13005	PLUG	2	
19	5X6-22178-00	TENSIONER	1	
20	4V4-22184-00	BUSH	1	
21	90387-083F3	COLLAR	1	
22	95801-08040	BOLT, flanGe	1	
23	90338-12131	PLUG	1	
24	5X5-28100-10	TOOL KIT	1	
25	2K7-85555-00	•PULLER, rotor	1	
26	1W1-28135-10	•SPANNER, sPecial	1	
27	2X4-2811A-00	GAUGE, air	1	

FIG. 18 FRONT FENDER-REAR FENDER



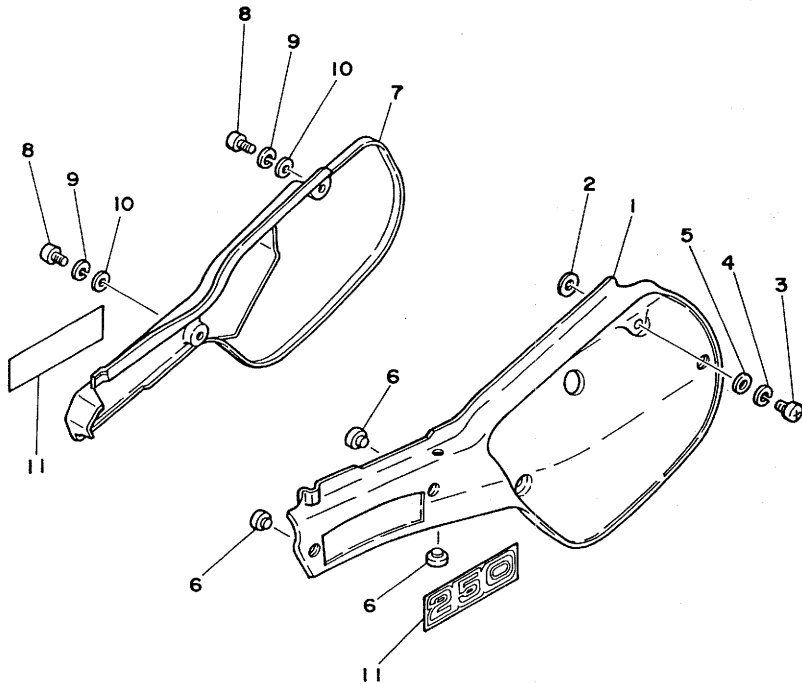
REF. NO.	PART NO.	DESCRIPTION	Q'TY	REMARKS
1	5X6-21511-10	FENDER, front	1	white
2	90201-06571	WASHER, Plate	4	
3	90209-06187	WASHER	4	
4	97302-06020	BOLT	2	
5	92902-06100	WASHER, sPring	2	
6	97302-06035	BOLT	2	
7	92902-06100	WASHER, sPring	2	
8	3R4-21611-10	FENDER, rear	1	white
9	97301-06016	BOLT	4	
10	92902-06100	WASHER, sPring	4	
11	90201-06571	WASHER, Plate	4	
12	5X6-21629-00	GUARD, mud	1	
13	1M1-21621-00	FLAP	1	
14	565-21746-00	SEAL, mud guard	1	
15	4V2-21543-00	PLATE 1	1	
16	97301-06020	BOLT	2	
17	92901-06100	WASHER, sPring	2	
18	92901-06052	WASHER, Plate	4	
19	95601-06100	NUT, u	2	

5X5100-2180

C8

FIG. 19 SIDE COVER

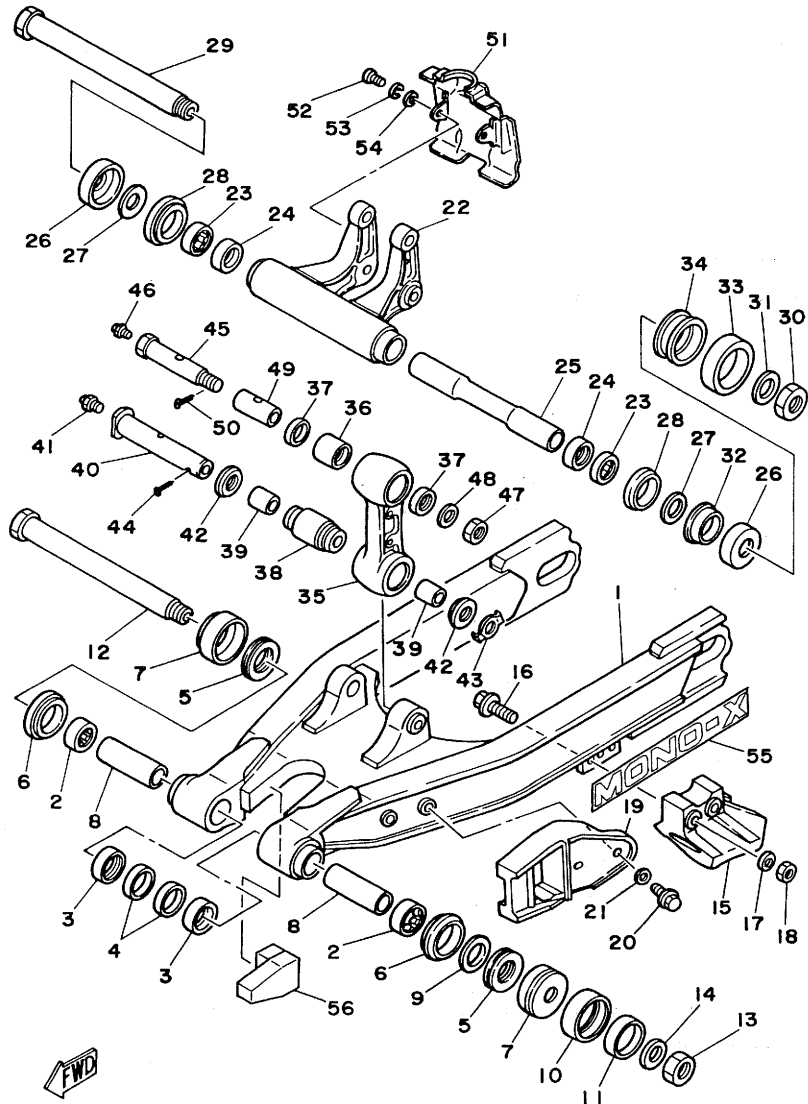
REF. NO.	PART NO.	DESCRIPTION	Q'TY	REMARKS
1	5X6-21711-10-98	COVER, side 1	1	low gloss black /white
2	92902-08200	WASHER	2	
3	92501-06015	SCREW, Pan head	2	
4	92901-06100	WASHER, sPring	2	
5	90201-06571	WASHER, Plate	2	
6	431-24181-00	DAMPER, locating 1	4	
7	5X6-21721-10-98	COVER, side 2	1	low gloss black /white
8	92501-06015	SCREW, Pan head	2	
9	92901-06100	WASHER, sPring	2	
10	90201-06571	WASHER, Plate	2	
11	5X5-21737-10	EMBLEM	2	



5X5300-2190

C9

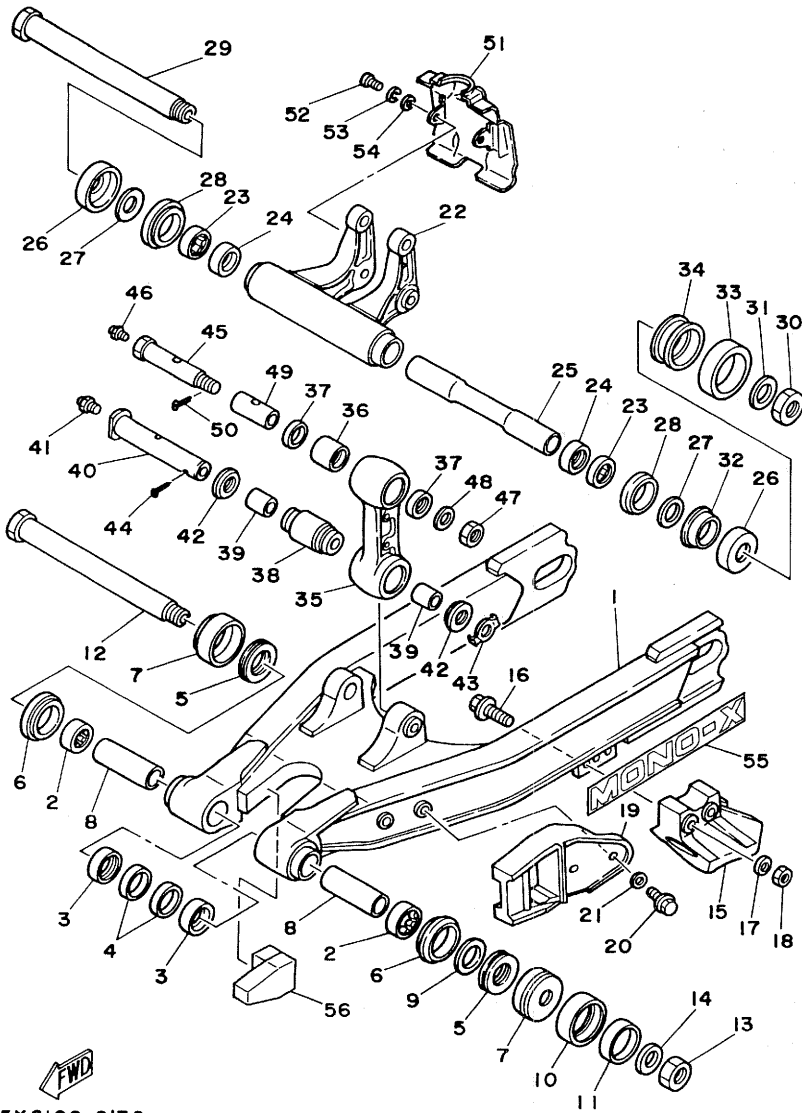
FIG. 20 REAR ARM



5X6100-2170

C10

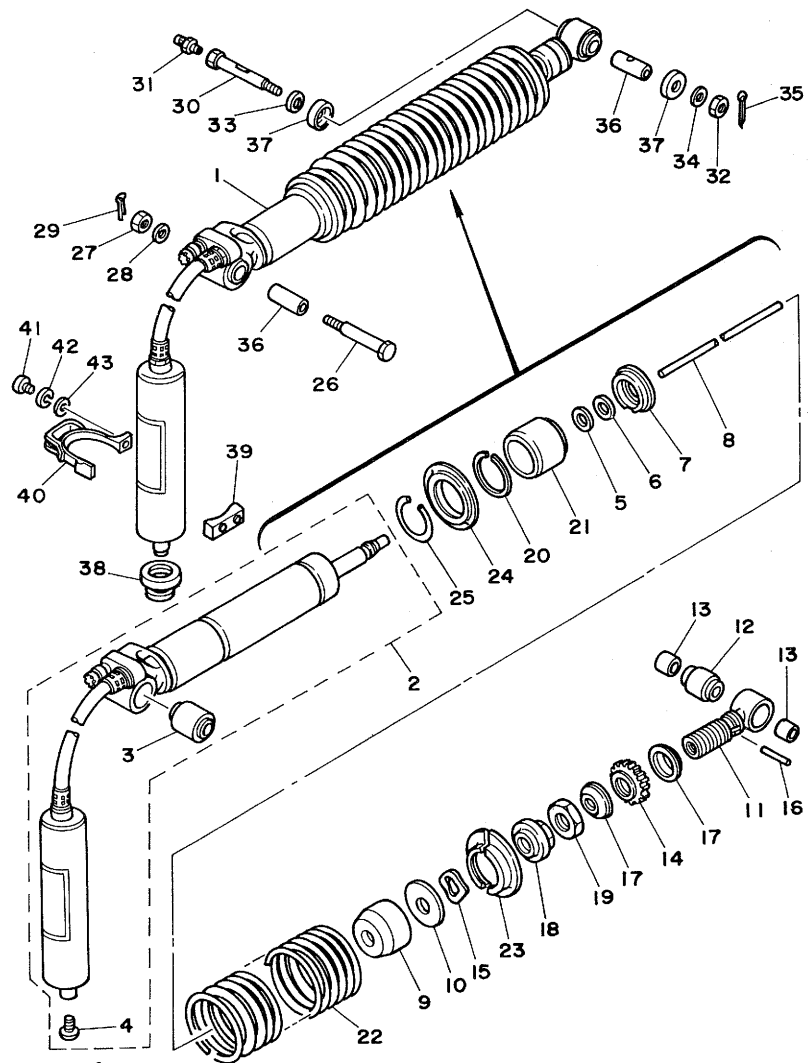
REF. NO.	PART NO.	DESCRIPTION	Q'TY	REMARKS
1	5X6-22110-00-35	REAR ARM COMP.	1	silver
2	93317-22208	BEARING, cylindrical	2	
3	90386-22097	BUSH	2	
4	93109-22018	OIL SEAL	2	
5	93342-22208	BEARING	2	
6	93108-35004	OIL SEAL	2	
7	3R4-22129-00	COVER, thrust 2	2	
8	90380-16077	BUSH, solid	2	
9	648-45533-00-03	SHIM (0.3T)	1	UN
10	5X6-22151-10	SEAL, Guard	1	
11	90387-440G3	COLLAR	1	
12	5X6-22141-00	SHAFT, Pivot	1	
13	90170-16111	NUT	1	
14	90201-160F6	WASHER, Plate	1	
15	5X6-22199-00	SUPPORT, chain	1	
16	95802-08055	BOLT, flange	2	
17	92902-08600	WASHER, Plate	2	
18	95602-08100	NUT, u	2	
19	5X6-22147-00	PROTECTOR, chain	1	
20	95801-06020	BOLT, flange	2	
21	90201-06067	WASHER, Plate	2	
22	5X6-2217A-00	ARM, relay	1	
23	93317-22208	BEARING, cylindrical	2	
24	90386-22097	BUSH	2	
25	90387-162F7	COLLAR	1	
26	2K6-22128-01	COVER, thrust 1	2	
27	90201-22680	WASHER, Plate	2	
28	93108-35004	OIL SEAL	2	



5X6100-2170

FIG. 20 REAR ARM

REF. NO.	PART NO.	DESCRIPTION	Q'TY	REMARKS
29	5X6-22141-00	SHAFT, Pivot	1	
30	90170-16111	NUT	1	
31	90201-160F6	WASHER, Plate	1	
32	5X6-22159-00	WASHER, sPring lower	1	
33	5X6-22151-00	SEAL, Guard	1	
34	5X6-22152-00	SEAL, Guard	1	
35	5X6-2217F-00	RDD, connecting 1	1	
36	93317-22023	BEARING, cylindrical	1	
37	93109-20029	OIL SEAL	2	
38	5X6-22123-00	BUSH 1	1	
39	90384-16156	BUSH, bimetal formed	2	
40	90249-16153	PIN	1	
41	93700-06004	NIPPLE, Grease	1	
42	5X6-2217H-00	COVER, dust	2	
43	90215-16198	WASHER, lock	1	
44	91401-40030	PIN, cotter	1	
45	90109-12646	BOLT	1	
46	93700-06004	NIPPLE, Grease	1	
47	90185-12061	NUT, self-locking	1	
48	90201-120E6	WASHER, Plate	1	
49	90380-14095	BUSH, solid	1	
50	91401-25020	PIN, cotter	1	
51	5X6-21652-00	PROTECTOR	1	
52	98501-05012	SCREW, Pan head	2	
53	92901-05100 <i>DISUSED</i>	WASHER, sPring	2	
54	92901-05200 <i>DISUSED</i>	WASHER, Plain	2	
55	5X6-2218A-00	EMBLEM, rear arm	2	for canada
56	5X6-2214F-00	DAMPER 1	2	

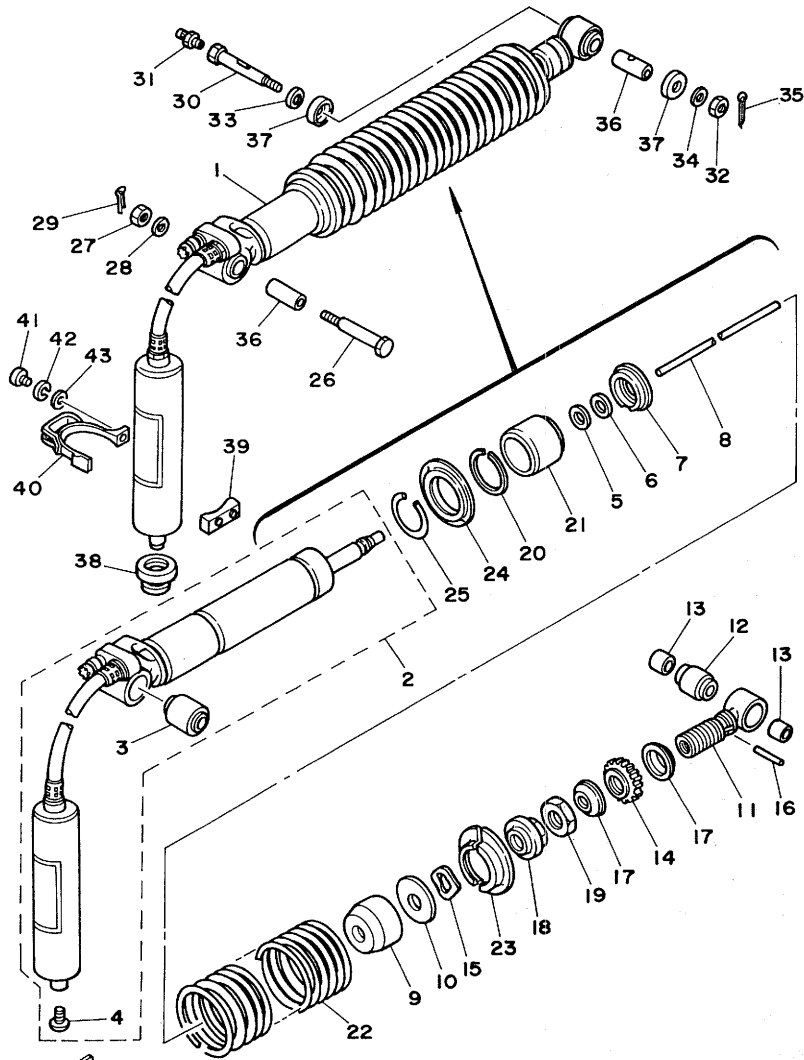


5X6100-2180

FIG. 21 REAR SUSPENSION

REF. NO.	PART NO.	DESCRIPTION	Q'TY	REMARKS
1	5X5-22210-10	SHOCK ABSORBER ASSY, rear	1	
2	5X6-22401-10	.DUMPER SUB ASSY	1	
3	5X6-22216-00	..BUSH, rear shock absorber	1	
4	98501-04005	..SCREW, Pan head	1	
5	5X6-22475-00	.SEAL, dust	1	
6	5X6-22473-00	.HOUSING, seal ring	1	
7	5X6-22472-00	.CAP, case	1	
8	5X6-22489-00	.ROD, Push	1	
9	5X6-22493-00	.BUMP, stop	1	
10	5X6-22228-00	.SUPPORT, bump stop	1	
11	5X6-22409-00	.UPPER BRACKET SUB ASSY	1	
12	5X6-22226-00	.BUSH, shock absorber lower	1	
13	90384-18157	.BUSH, bimetal formed	2	
14	5X6-22497-00	.NUT, adjusting	1	
15	90206-18072	.WASHER, wave	1	
16	93604-30173	.PIN, dowel	1	
17	4V4-22221-70	.COVER	2	
18	5X6-22213-00	.SEAT, spring upper	1	
19	90170-25294	.NUT	1	
20	93440-52106	.CIRCLIP	1	
21	5X6-22224-00	.GUIDE, spring 2	1	
22	5X5-22212-10	.SPRING (K=3.25)	1	white/yellow
23	5X6-22214-00	.GUIDE, spring 1	2	
24	5X6-22223-00	.SEAT, spring lower	1	
25	93440-51103	.CIRCLIP	1	
26	90109-10550	BOLT	1	
27	95302-10700	NUT	1	
28	90201-10430 92902-10600	WASHER, Plate	1	

FIG. 21 REAR SUSPENSION

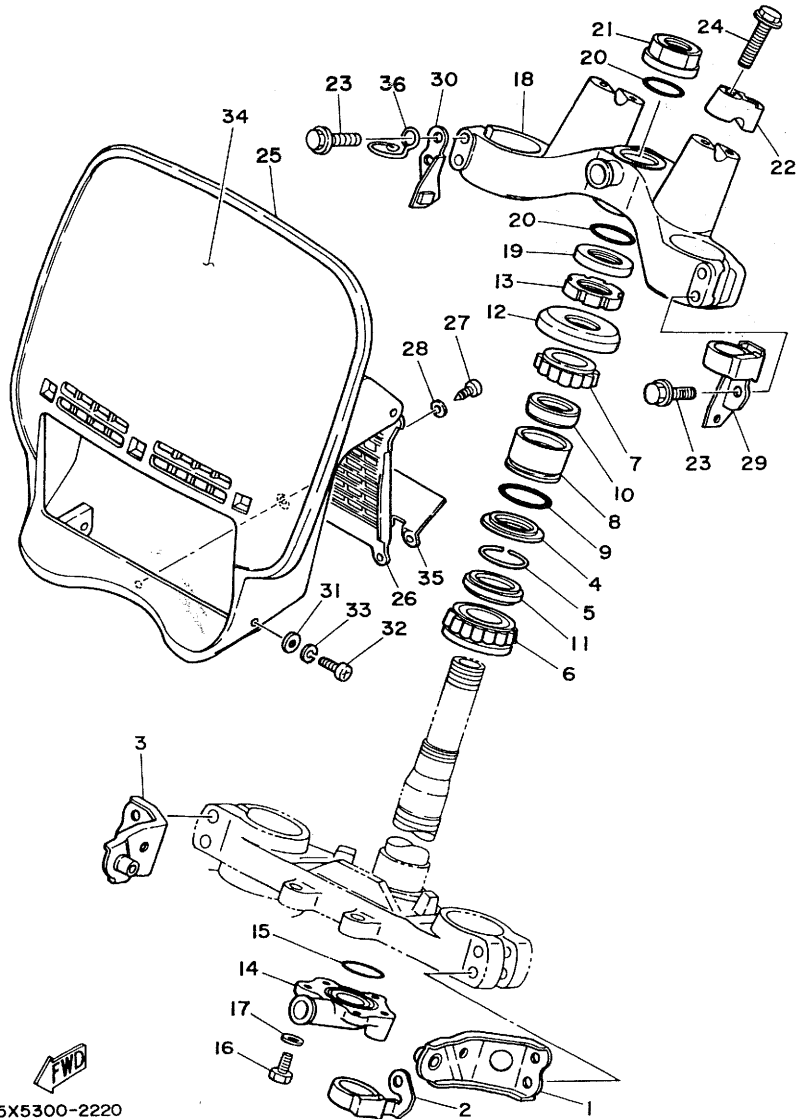


REF. NO.	PART NO.	DESCRIPTION	Q'TY	REMARKS
29	91401-20025	PIN, cotter	1	
30	90109-10645	BOLT	1	
31	93700-06004	NIPPLE, Grease	1	
32	90185-10110	NUT, self-locking	1	
33	90201-120E6	WASHER, Plate	1	
34	90201-100E9	WASHER, Plate	1	
35	91401-25020	PIN, cotter	1	
36	90380-12094	BUSH, solid	2	
37	5X6-22129-00	COVER, thrust 2	2	
38	90480-22263	GROMMET	1	
39	5X6-22261-00	DAMPER, sub tank	1	
40	5X6-22262-00	HOLDER, sub tank	1	
41	92502-06016	SCREW, Pan head	1	
42	92902-06100	WASHER, sPring	1	
43	92902-06600	WASHER	1	

5X6100-2180

C13

FIG. 22 STEERING

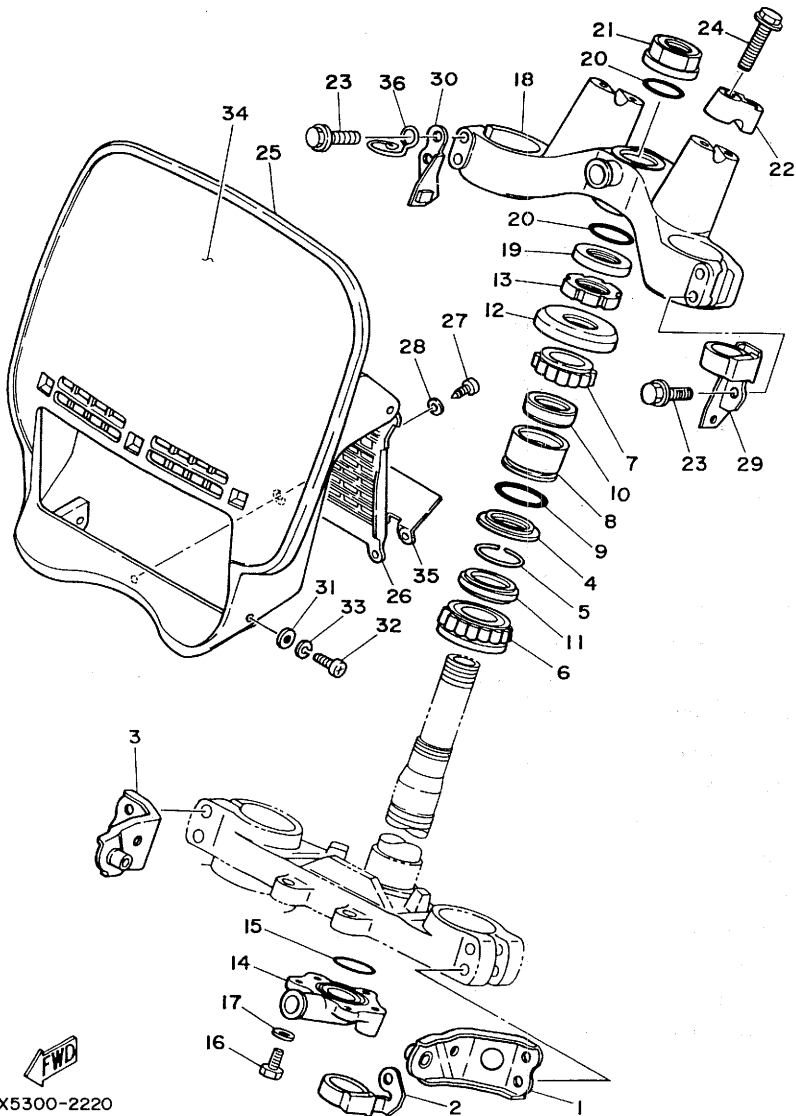


REF. NO.	PART NO.	DESCRIPTION	Q'TY	REMARKS
1	5X5-2317E-00	STAY	1	
2	5X5-23389-00	GUIDE, cable	1	
3	5X5-2317F-00	STAY 2	1	
4	5X4-23462-00	SEAL, steering	1	
5	93440-28099	CIRCLIP	1	
6	93332-00008	BEARING	1	
7	93332-00023	BEARING	1	
8	5X4-23499-00	CYLINDER	1	
9	93210-35520	O-RING	1	
10	93102-28234	OIL SEAL	1	
11	93107-30009	OIL SEAL	1	
12	1W1-23416-00	COVER, ball race 2	1	
13	90179-25033	NUT	1	
14	4V2-23491-00	JOINT	1	
15	93210-37160	O-RING	1	
16	97301-06016	BOLT	3	
17	92901-06600	WASHER, Plate	3	
18	5X5-23435-00-98	CROWN, handle	1	low gloss black
19	90201-237E8	WASHER, Plate	1	
20	93210-23505	O-RING	2	
21	90179-22330	NUT	1	
22	1E6-23441-00-98	HOLDER, handle upper	2	low gloss black
23	95821-08035	BOLT, flange	4	
24	95821-08040	BOLT, flange	4	
25	5X4-23485-10	PLATE, number	1	white
26	5X4-23472-01	PROTECTOR	1	
27	97702-50514	SCREW, tapping	3	
28	92902-05200	WASHER	3	

5X5300-2220

C14

FIG. 22 STEERING

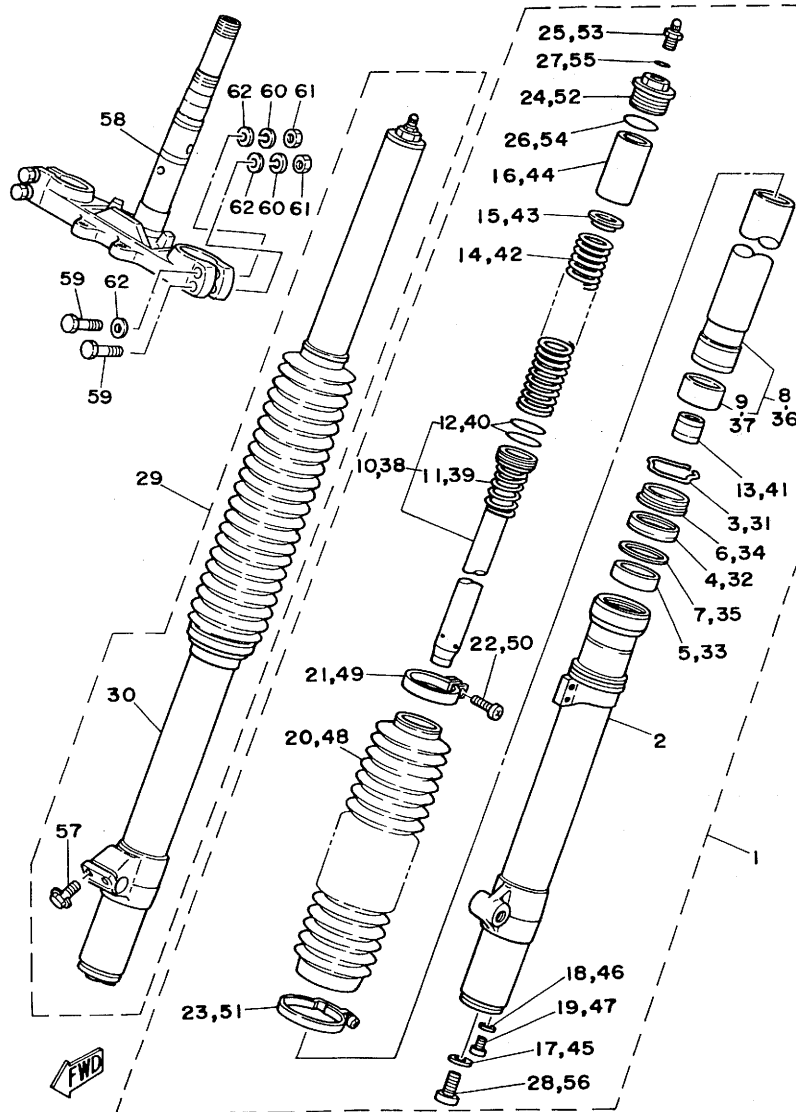


REF. NO.	PART NO.	DESCRIPTION	Q'TY	REMARKS
29	5X5-23486-00	STAY, Plate	1	
30	5X5-23487-00	STAY, Plate	1	
31	90201-06571	WASHER, Plate	4	
32	92501-06015	SCREW, Pan head	4	
33	92901-06100	WASHER, sPring	4	
34	5X4-23395-10	EMBLEM	1	
35	5X4-23774-00	PLATE	1	
36	4H7-23317-00	HOLDER, cable	1	


5X5300-2220

C15

FIG. 23 FRONT FORK

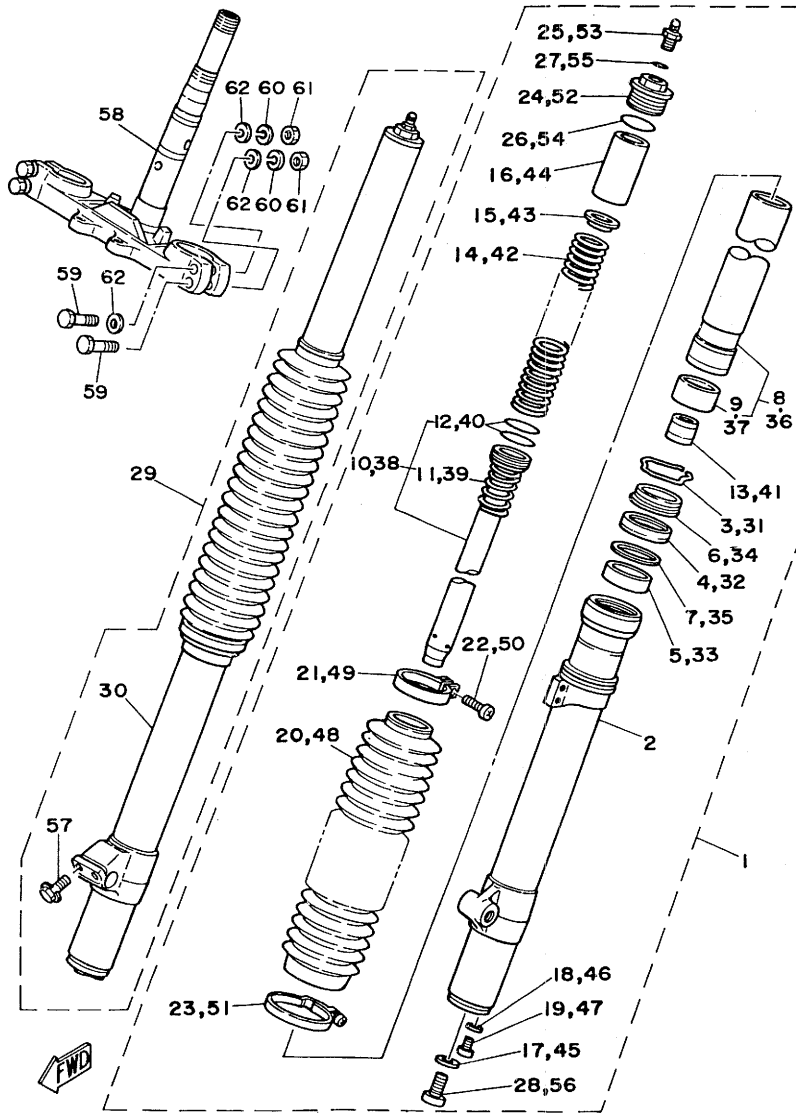


5X5300-2230

REF. NO.	PART NO.	DESCRIPTION	Q'TY	REMARKS
1	5X6-23102-M0	FRONT FORK ASSY (L.H)	1	
2	5X6-23126-L0	•TUBE, outer 1	1	
3	4V4-23153-L0	•RING, snaP	1	
4	5X6-23145-L0 4V4-23145-L0	•OIL SEAL	1	
5	4V4-23125-L0	•METAL, slide 1	1	
6	5X6-23144-L0 4V4-23144-L0	•SEAL, dust	1	
6-1	4V4-23148-L0	•COVER DUST SEAL	1	
7	4V4-23146-L0	•WASHER, oil seal	1	
8	4V4-23110-L0	•INNER TUBE COMP.1	1	
9	4V4-23171-L0	•PISTON, front fork	1	
10	5X6-23170-L0	•CYLINDER COMP., front fork	1	
11	5X6-23152-L0	•SPRING, sub	1	
12	4V4-23188-L0	•O-RING	2	
13	4V4-23173-L0	•SPINDLE, taPer	1	
14	5X6-23141-M0	•SPRING, front fork (K=0.290)	1	
15	4V4-23142-L0	•SEAT, sPring uPPer	1	
16	5X6-23118-M0	•SPACER (L=110)	1	
17	4V4-23158-L0	•GASKET	1	
18	122-23129-00	•GASKET, drain Plug	1	
19	122-23119-01	•PLUG, drain	1	
20	5X6-23191-L0	•BOOT	1	
21	4V4-23192-L0	•BAND	1	
22	4V4-23194-L0	•SCREW, boot band	1	
23	4V4-23489-L0	•BAND	1	
24	5X6-23111-L0	•BOLT, caP	1	
25	4V4-23190-L0	•AIR VALVE COMP.	1	
26	4V4-23188-L0	•O-RING	1	
27	3J2-23147-00	•O-RING	1	
28	4V4-23181-L0	•BOLT, hexaGon socket head	1	

D2

FIG. 23 FRONT FORK

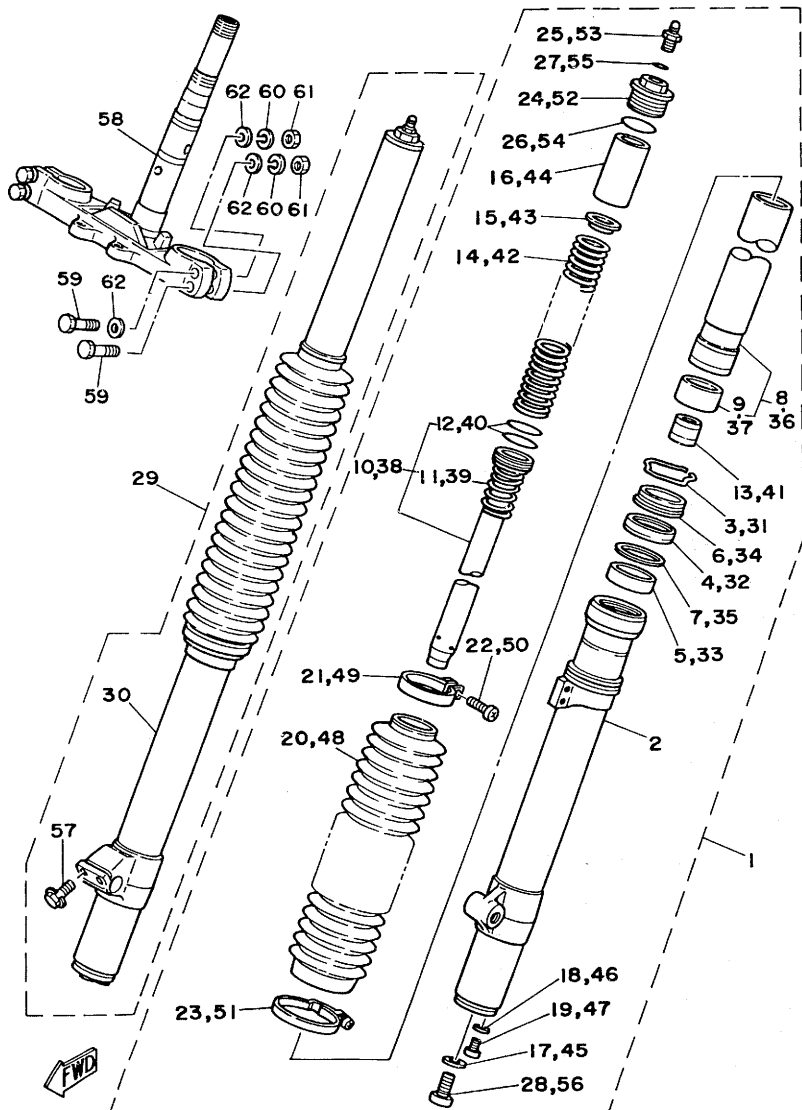


5X5300-2230

REF. NO.	PART NO.	DESCRIPTION	Q'TY	REMARKS
29	5X6-23103-M0	FRONT FORK ASSY (R.H)	1	
30	5X6-23136-L0	.TUBE, outer 2	1	
31	4V4-23153-L0	.RING, snaP	1	
32	5X6-23145-L0	.OIL SEAL	1	
33	4V4-23125-L0	.METAL, slide 1	1	
34	5X6-23144-L0	.SEAL, dust	1	
34-1	4V4 23148-L0	.COVER JUST SEAL	1	
35	4V4-23146-L0	.WASHER, oil seal	1	
36	4V4-23110-L0	.INNER TUBE COMP.1	1	
37	4V4-23171-L0	.PISTON, front fork	1	
38	5X6-23170-L0	.CYLINDER COMP., front fork	1	
39	5X6-23152-L0	.SPRING, sub	1	
40	4V4-23188-L0	.O-RING	2	
41	4V4-23173-L0	.SPINDLE, taPer	1	
42	5X6-23141-M0	.SPRING, front fork (K=0.290)	1	
43	4V4-23142-L0	.SEAT, sPring uPPer	1	
44	5X6-23118-M0	.SPACER (L=110)	1	
45	4V4-23158-L0	.GASKET	1	
46	122-23129-00	.GASKET, drain Plug	1	
47	122-23119-01	.PLUG, drain	1	
48	5X6-23191-L0	.BOOT	1	
49	4V4-23192-L0	.BAND	1	
50	4V4-23194-L0	.SCREW, boot band	1	
51	4V4-23489-L0	.BAND	1	
52	5X6-23111-L0	.BOLT, caP	1	
53	4V4-23190-L0	.AIR VALVE COMP.	1	
54	4V4-23188-L0	.O-RING	1	
55	3J2-23147-00	.O-RING	1	
56	4V4-23181-L0	.BOLT, hexaGon socket head	1	

D3

FIG. 23 FRONT FORK

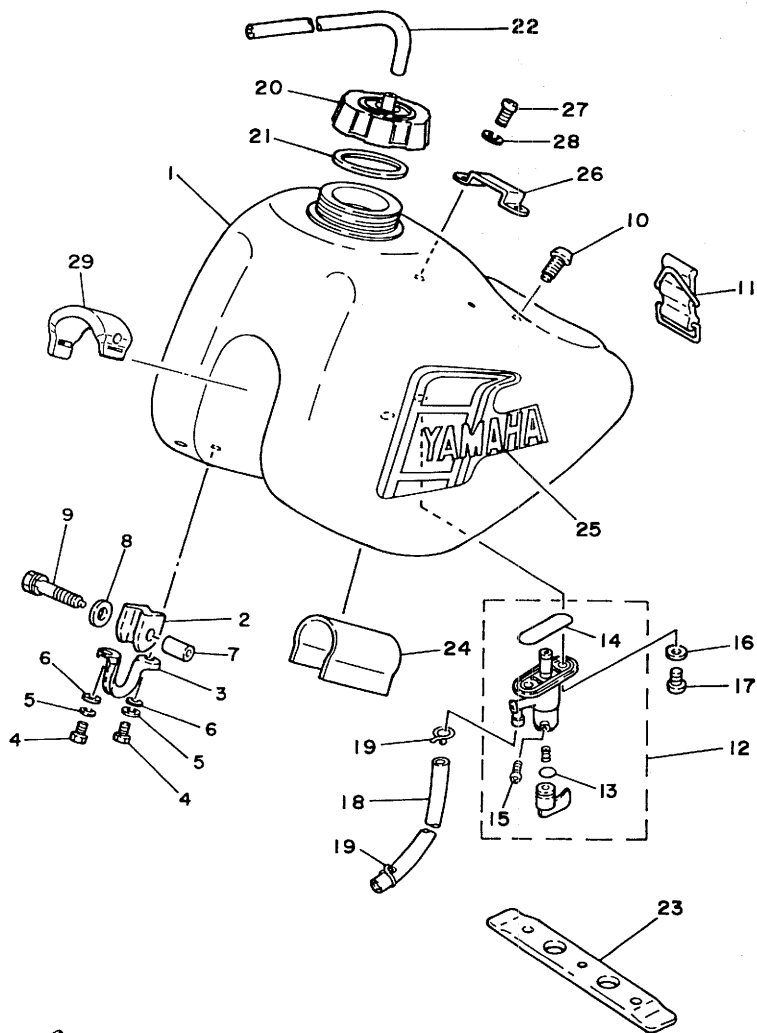


REF. NO.	PART NO.	DESCRIPTION	Q'TY	REMARKS
57	5X6-23181-L0	.BOLT, hexagon socket head	1	
58	5X5-23340-L0-33	UNDER BRACKET COMP.	1	yamaha black
59	90101-08340	BOLT,	4	
60	92901-08100	WASHER, sPring	4	
61	95311-08600	NUT	4	
62	90201-08544	WASHER, Plate	7	

5X5300-2230

D4

FIG. 24 FUEL TANK

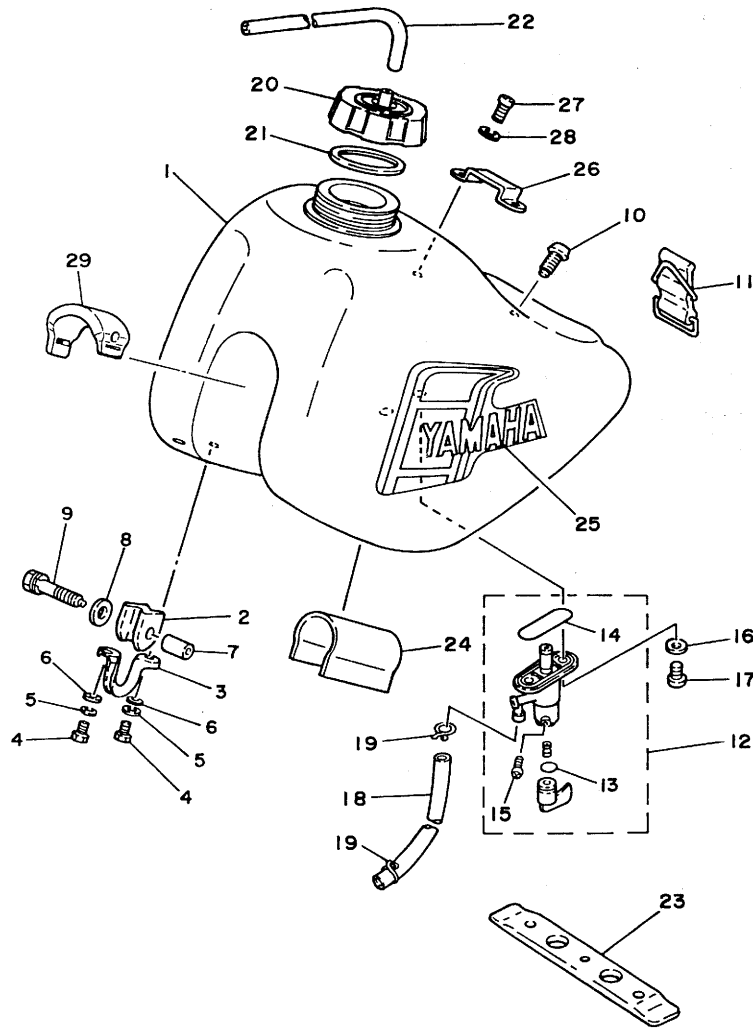


REF. NO.	PART NO.	DESCRIPTION	Q'TY	REMARKS
1	5X5-24110-10	FUEL TANK COMP.	1	white
2	1W1-24182-01	DAMPER, locatinē 2	2	
3	1W1-24144-01	HOLDER, damPer	2	
4	97301-06012	BOLT	4	
5	92901-06100	WASHER, sPrinē	4	
6	92901-06600	WASHER, Plate	4	
7	90387-07393	COLLAR	2	
8	90201-06407	WASHER, Plate	2	
9	90119-06022	BOLT, with washer	2	
10	98902-06018	SCREW, bind	1	
11	5X6-24173-00	BAND, tank fittinē 1	1	
12	2K5-24500-00	FUEL COCK ASSY 1	1	
13	214-24512-00	•GASKET	1	
14	1A0-24512-00	•O-RING	1	
15	619-24535-00	•SCREW, lever fittinē	1	
16	90202-06010	WASHER, Plate	2	
17	90149-06011	SCREW	2	
18	90445- ¹¹⁶⁵⁶ 11182	HOSE	1	
19	90467-10008	CLIP	2	
20	5X7-24611-00	BODY, caP	1	
21	5X7-24612-00	GASKET, caP	1	
22	90445-09300	HOSE	1	
23	3R4-24181-00	DAMPER, locatinē 1	1	
24	5X4-24183-00	DAMPER, locatinē 3	1	
25	5X6-24240-19	GRAPHIC SET	1	
26	5X6-2412F-00	BRACKET, seat	1	
27	92501-06012	SCREW, Pan head	2	
28	92901-06100	WASHER, sPrinē	2	

FWD
5X5100-2240

D5

FIG. 24 FUEL TANK



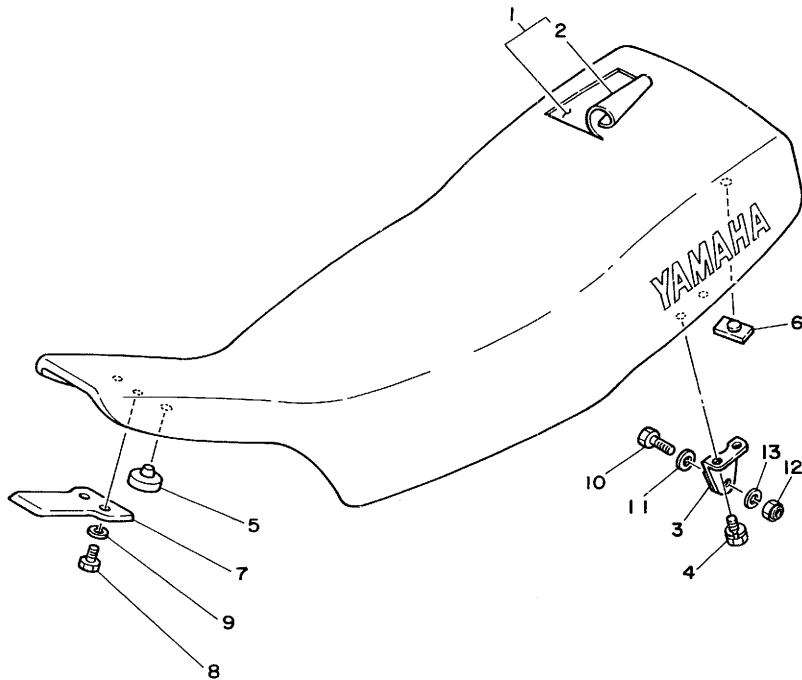
REF. NO.	PART NO.	DESCRIPTION	Q'TY	REMARKS
29	5X5-24184-00	DAMPER, locating 4	1	


5X5100-2240

D6

FIG. 25 SEAT

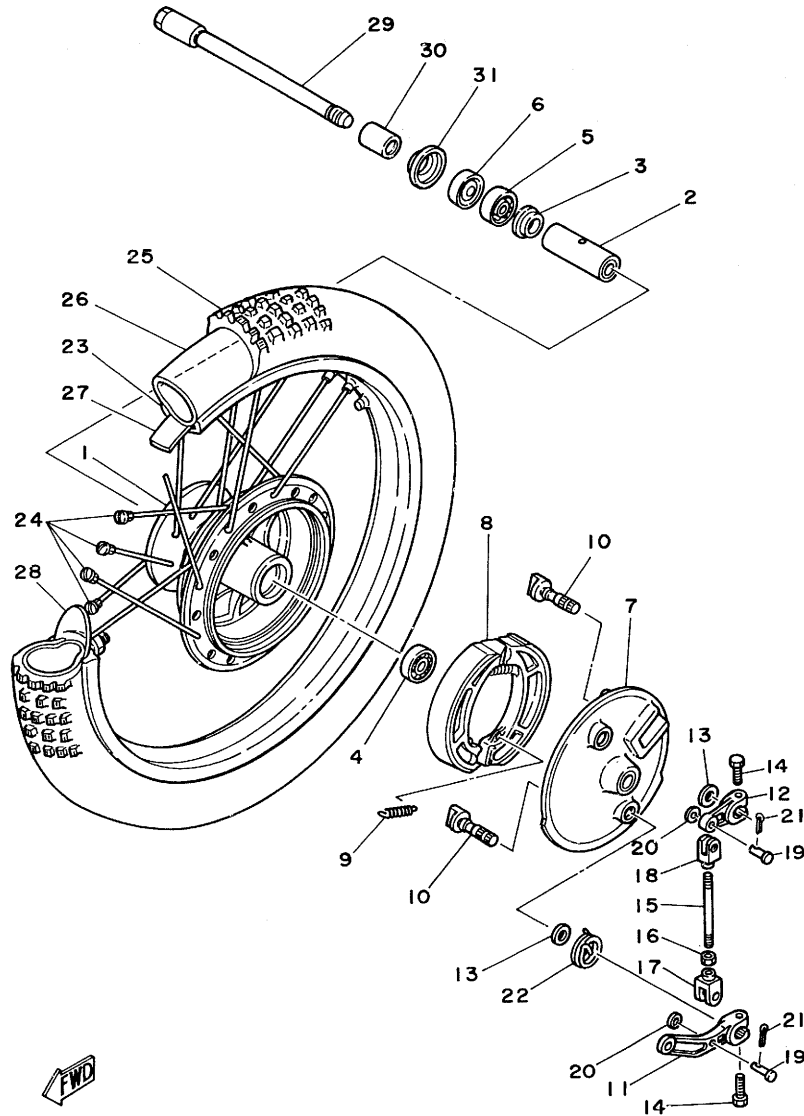
REF. NO.	PART NO.	DESCRIPTION	Q'TY	REMARKS
1	5X6-W2473-10	SEMI-DOUBLE SEAT ASSY	1	
2	5X6-24771-10	COVER, semi-double seat	1	
3	1W1-24738-00	BRACKET, seat	2	
4	90101-06304	BOLT	4	
5	116-24741-00	PAD, seat	2	
6	509-24724-00	DAMPER, seat	1	
7	5X6-24748-00	BRACKET, seat	1	
8	97301-06012	BOLT	2	
9	92901-06100	WASHER, sPring	2	
10	97302-06035	BOLT	2	
11	92902-06600	WASHER	2	
12	95602-06100	NUT, u	2	
13	92902-06100	WASHER, sPring	2	



5X6100-2220

D7

FIG. 26 FRONT WHEEL



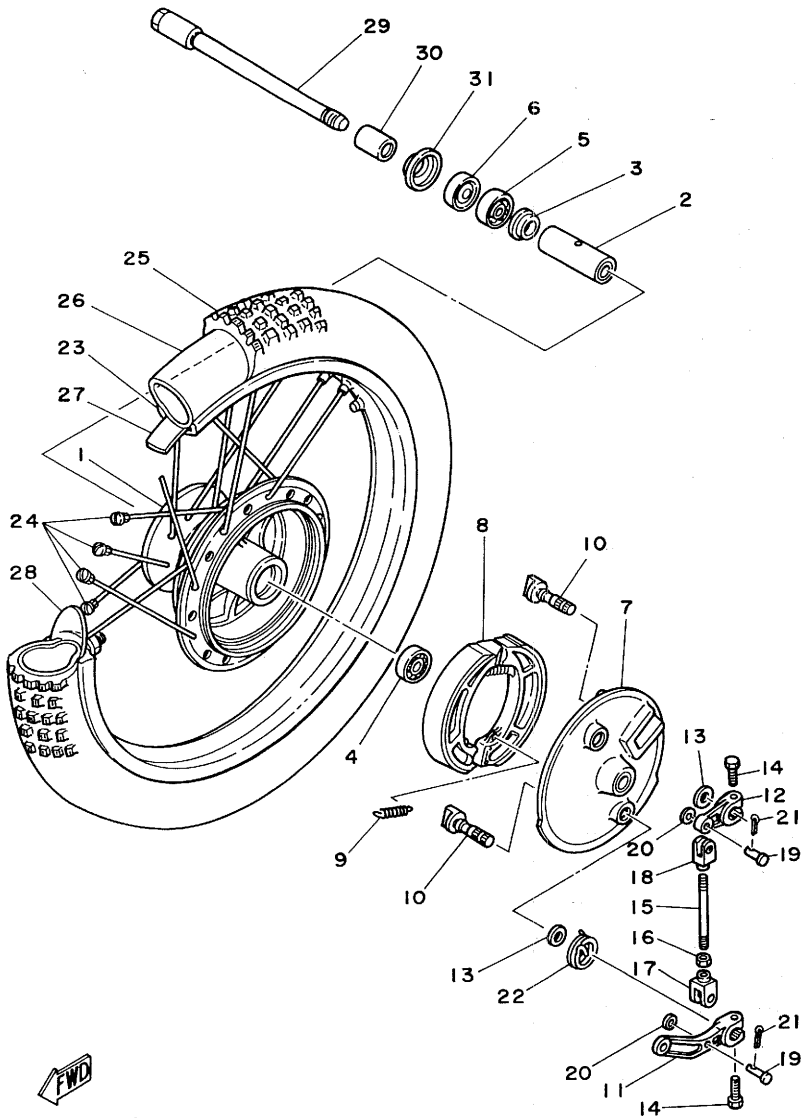
REF. NO.	PART NO.	DESCRIPTION	Q'TY	REMARKS
1	1K7-25111-11-98	HUB, front	1	low gloss black
2	90560-15116	SPACER	1	
3	146-25116-00	FLANGE, sPacer 2	1	
4	93306-20203	BEARING (B6202RS)	1	
5	93306-20205	BEARING (B6202)	1	
6	93102-20009	OIL SEAL	1	
7	5X6-25121-00-98	PLATE, brake shoe	1	low gloss black
8	3R5-25130-00	BRAKE SHOE COMP.	2	
9	90506-16036	SPRING, tension	2	
10	322-25151-00	CAMSHAFT	2	
11	5X6-25155-00	LEVER, camshaft 1	1	
12	5X6-25156-00	LEVER, camshaft 2	1	
13	137-25159-00	SEAL, camshaft	2	
14	90101-06291	BOLT	2	
15	3R5-25161-00	ROD, connecting	1	
16	95301-06700	NUT	1	
17	3R5-25163-00	END, rod 1	1	
18	3R5-25164-00	END, rod 2	1	
19	90240-06006	PIN, clevis	2	
20	92901-06200	WASHER, Plain	2	
21	91401-20015	PIN, cotter	2	
22	90508-20425	SPRING, torsion	1	
23	94416-21275	RIM (1.60-21)	1	
24	2W6-25104-02	SPOKE SET, front	1	
25	94130-21732	TIRE (3.00-21)	1	UR bridgestone
	94130-21731	TIRE (3.00-21)	1	UR inoue
26	94227-21123	TUBE (2.75-21)	1	UR bridgestone
	94230-21126	TUBE (3.00-21)	1	UR inoue

FWD
5X6100-2230

D8

FIG. 26 FRONT WHEEL

REF. NO.	PART NO.	DESCRIPTION	Q'TY	REMARKS
27	94330-21084	BAND, rim (3.00-21)	1	UR
	94330-21088	BAND, rim (3.00-21)	1	bridgestone UR inoue
28	4V5-25194-00	SPACER, bead	1	
29	3R4-25181-01	AXLE, wheel	1	
30	90387-15535	COLLAR	1	
31	322-25118-00	COVER, hub dust	1	




5X6100-2230

D9

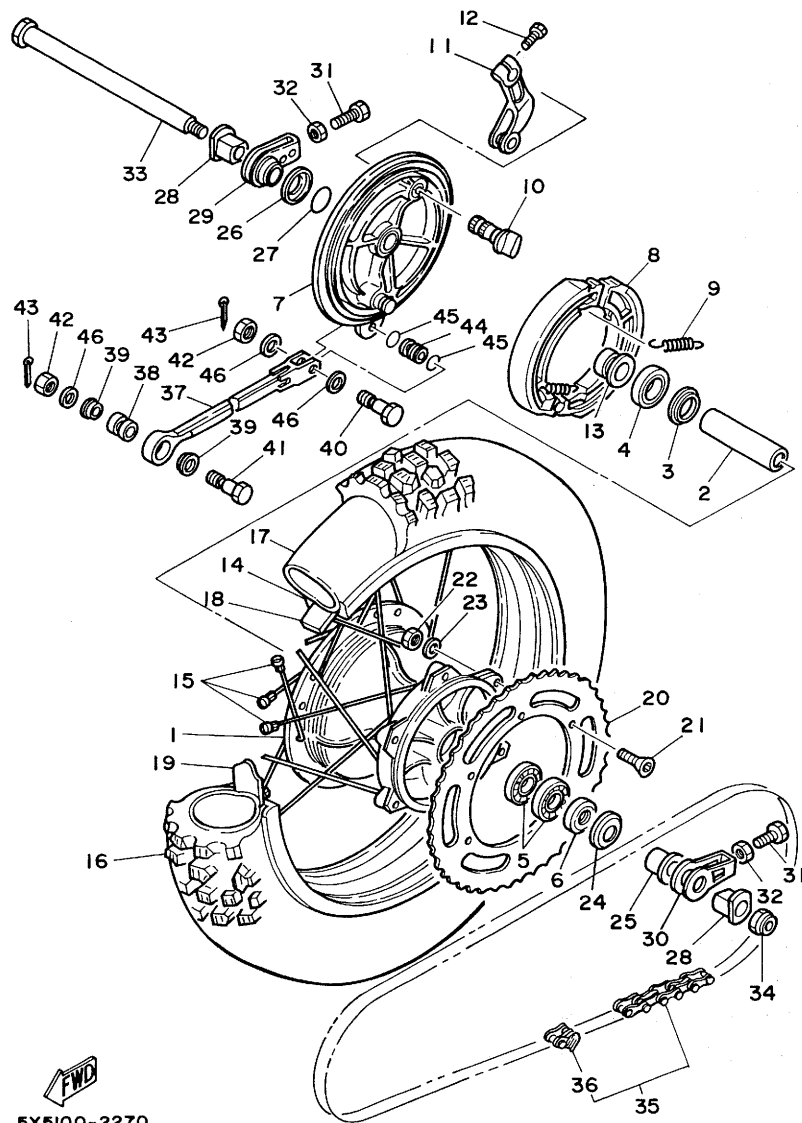
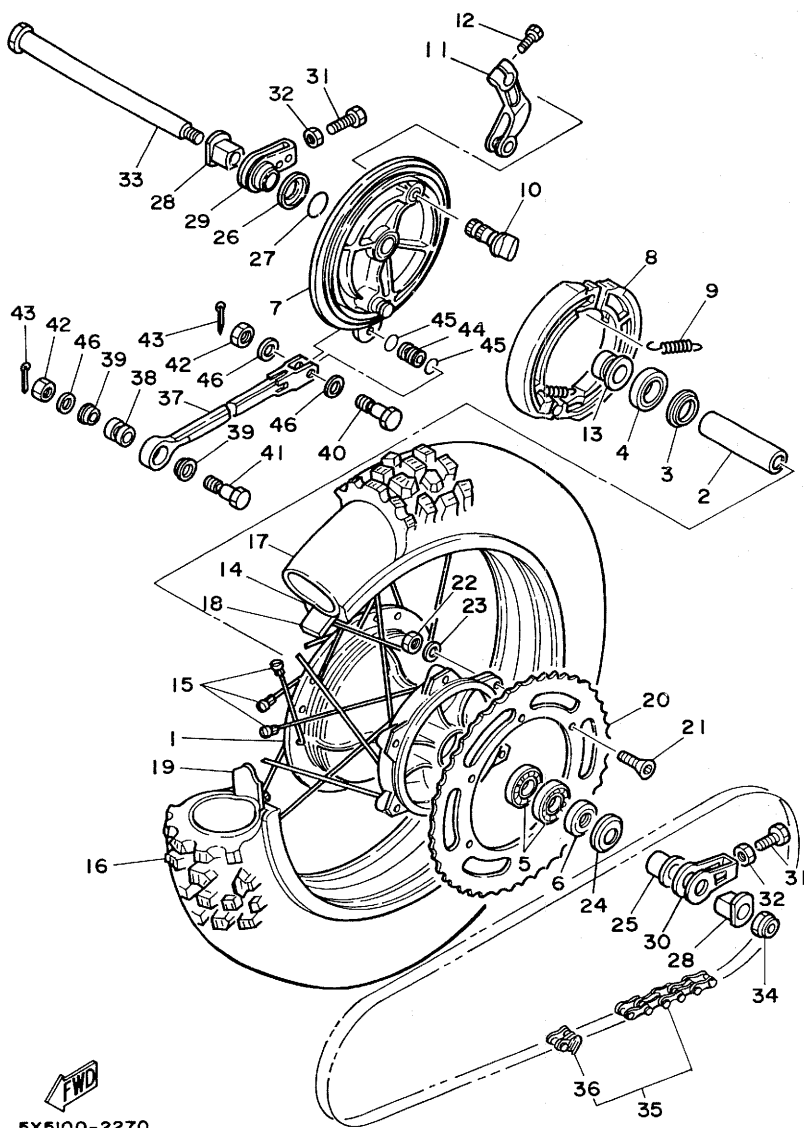


FIG. 27 REAR WHEEL

REF. NO.	PART NO.	DESCRIPTION	Q'TY	REMARKS
1	5X5-25311-00-98	HUB, rear	1	low gloss black
2	5X5-25317-00	SPACER, bearing	1	
3	4V4-25315-00	FLANGE, spacer	1	
4	93306-00418	BEARING	1	
5	93306-00406	BEARING (B6004Z)	2	
6	93102-28022	OIL SEAL	1	
7	5X5-25321-00-98	PLATE, brake shoe	1	low gloss black
8	3R4-25330-00	BRAKE SHOE COMP.	2	
9	90506-16036	SPRING, tension	2	
10	401-25351-00	CAMSHAFT	1	
11	5X4-25355-00	LEVER, camshaft	1	
12	90101-06291	BOLT	1	
13	90387-204F5	COLLAR	1	
14	94421-18319	RIM (2.15-18)	1	
15	5X5-25304-00	SPOKE SET, rear	1	
16	94151-18736	TIRE (5.10-18)	1	UR bridgestone
	94151-18737	TIRE (5.10-18)	1	UR inoue
17	94251-18150	TUBE (5.10-18)	1	UR STD
	94245-18125	TUBE (4.50-18)	1	UR
18	94340-18086	BAND, rim (4.00-18)	1	UR STD bridgestone
	94345-18081	BAND, rim (4.50-18)	1	UR
19	2X5-25394-00	SPACER, bead	2	
20	3R4-25448-00	SPROCKET, driven (48T)	1	UR
	3R4-25445-00	SPROCKET, driven (45T)	1	UR
	3R4-25444-01	SPROCKET, driven (44T)	1	AP
	3R4-25446-00	SPROCKET, driven (46T)	1	AP
	3R4-25450-00	SPROCKET, driven (50T)	1	AP
	3R4-25452-00	SPROCKET, driven (52T)	1	AP

FWD
5X5100-2270

FIG. 27 REAR WHEEL

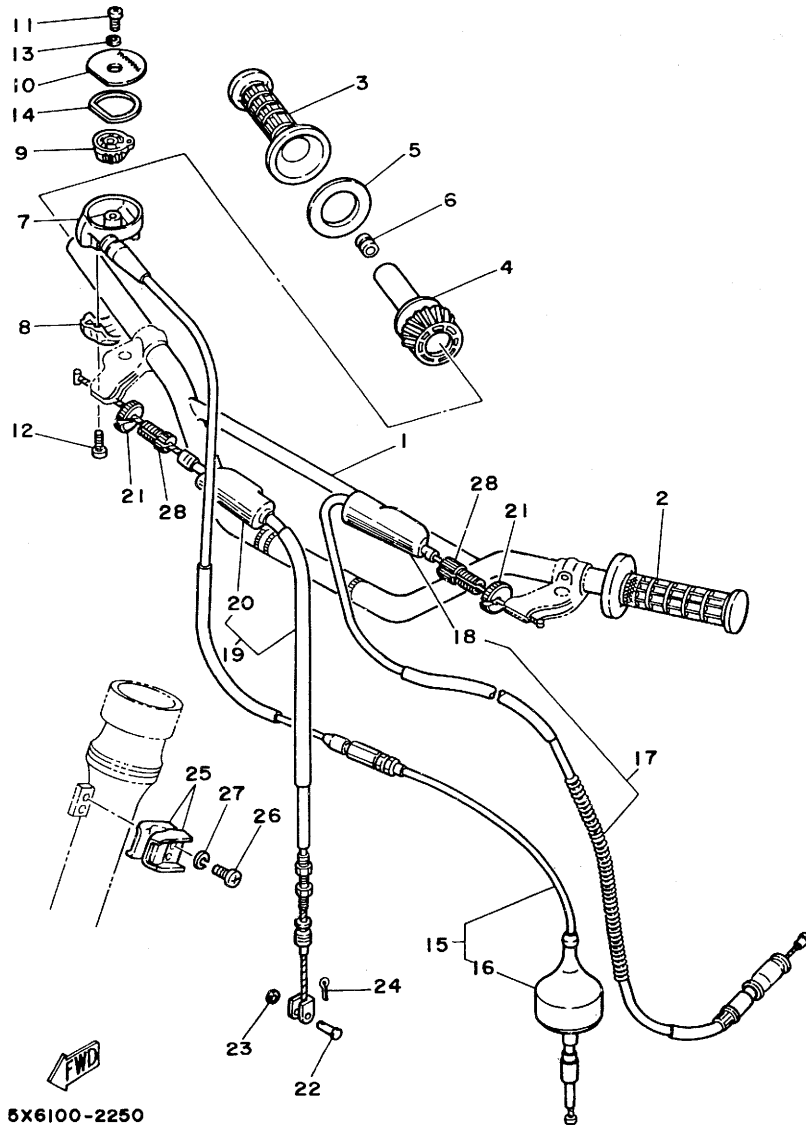


REF. NO.	PART NO.	DESCRIPTION	Q'TY	REMARKS
21	90110-08038	BOLT, hexagon socket head	6	
22	90185-08089	NUT, self-locking	6	
23	90201-081A6	WASHER, Plate	6	
24	4V4-25367-00	COVER, hub dust	1	
25	90387-206F6	COLLAR	1	
26	5X5-25327-00	COVER, Plate	1	
27	93210-31114	O-RING	1	
28	90381-20039	BUSH, solid	2	
29	5X5-25389-00	PULLER, chain 2	1	
30	5X6-25388-00	PULLER, chain 1	1	
31	90101-08475	BOLT	2	
32	95301-08700	NUT	2	
33	4V4-25381-01	AXLE, wheel	1	
34	90185-18104	NUT, self-locking	1	
35	94585-20112	CHAIN, drive (DID520DS 112L)	1	except canada
	94585-20110	CHAIN, drive (DID520DS 110L)	1	for canada
36	94685-20001	JOINT, chain	1	
37	5X5-25371-00	BAR, tension	1	
38	93399-99905	BEARING	1	UR
	93399-99906	BEARING	1	UR
39	93108-23009	OIL SEAL	2	
40	90109-08370	BOLT	1	
41	90102-08034	BOLT, with hole	1	
42	95611-08100	NUT, u	2	
43	91401-20015	PIN, cotter	2	
44	90387-083F0	COLLAR	1	
45	93210-14167	O-RING	2	
46	92901-08600	WASHER, Plate	3	

FWD
5X5100-2270

D11

FIG. 28 HANDLEBAR.CABLE



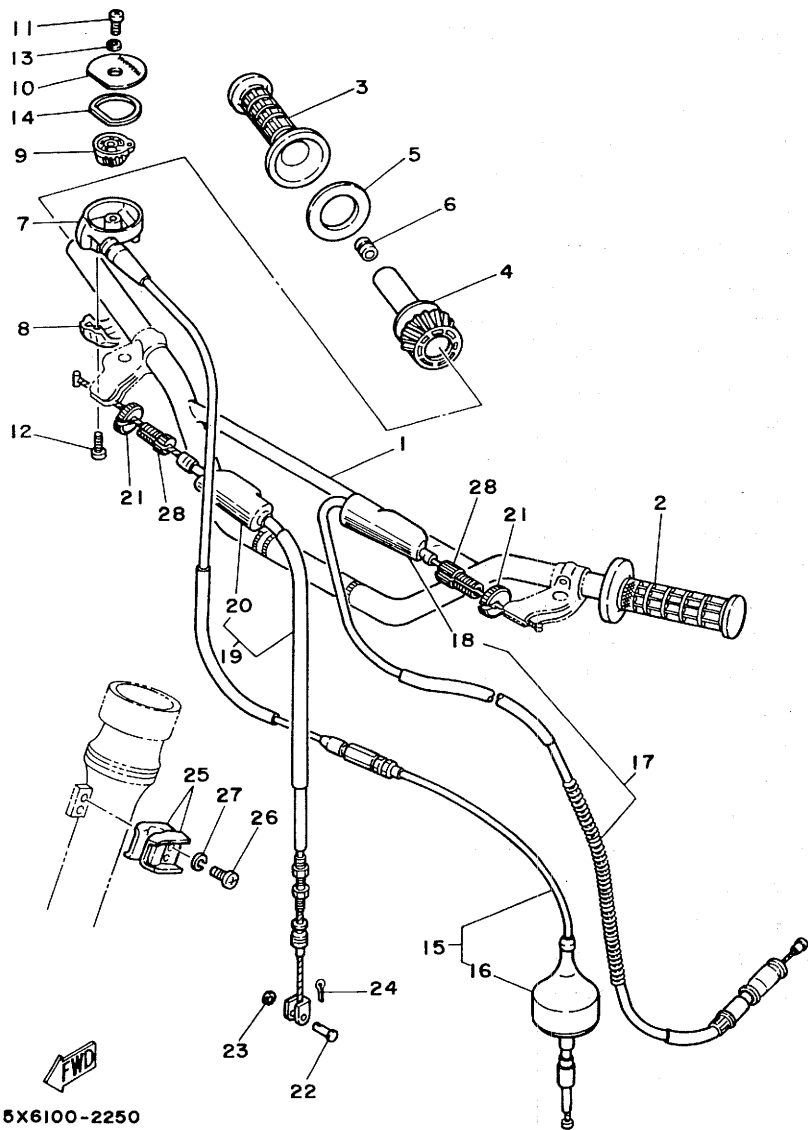
5X6100-2250

D12

REF. NO.	PART NO.	DESCRIPTION	Q'TY	REMARKS
1	4V2-26111-01	HANDLEBAR	1	
2	4V4-26241-00	GRIP (L.H)	1	
3	4V4-26242-00	GRIP (R.H)	1	
4	4V4-26243-00	TUBE, throttle guide	1	
5	4V4-26249-00	RING, leaf	1	
6	688-82535-00	GROMMET	1	
7	4V4-26281-00	CAP, grip upper	1	
8	4V4-26282-00	CAP, grip lower	1	
9	4V4-2628E-00	GEAR, bevel	1	
10	4V4-2628F-00	CAP, gear	1	
11	98906-05010	SCREW, bind	1	
12	98501-05016	SCREW, Pan head	2	
13	90430-05009	GASKET	1	
14	4V4-2628G-00	PACKING	1	
15	5X6-26311-00	CABLE, throttle 1	1	
16	510-26329-00	.CAP, rubber	1	
17	5X5-26335-01	CABLE, clutch	1	
18	382-26372-01	.COVER, handle lever 1	1	
19	5X5-26341-00	CABLE, brake	1	
20	382-26372-01	.COVER, handle lever 1	1	
21	90179-08148	NUT	2	
22	91701-06018	PIN, clevis	1	
23	92901-06200	WASHER, Plain	1	
24	91401-20015	PIN, cotter	1	
25	90465-14192	CLAMP	2	
26	92501-06015	SCREW, Pan head	2	
27	92901-06100	WASHER, sPring	2	

FIG. 28 HANDLEBAR CABLE

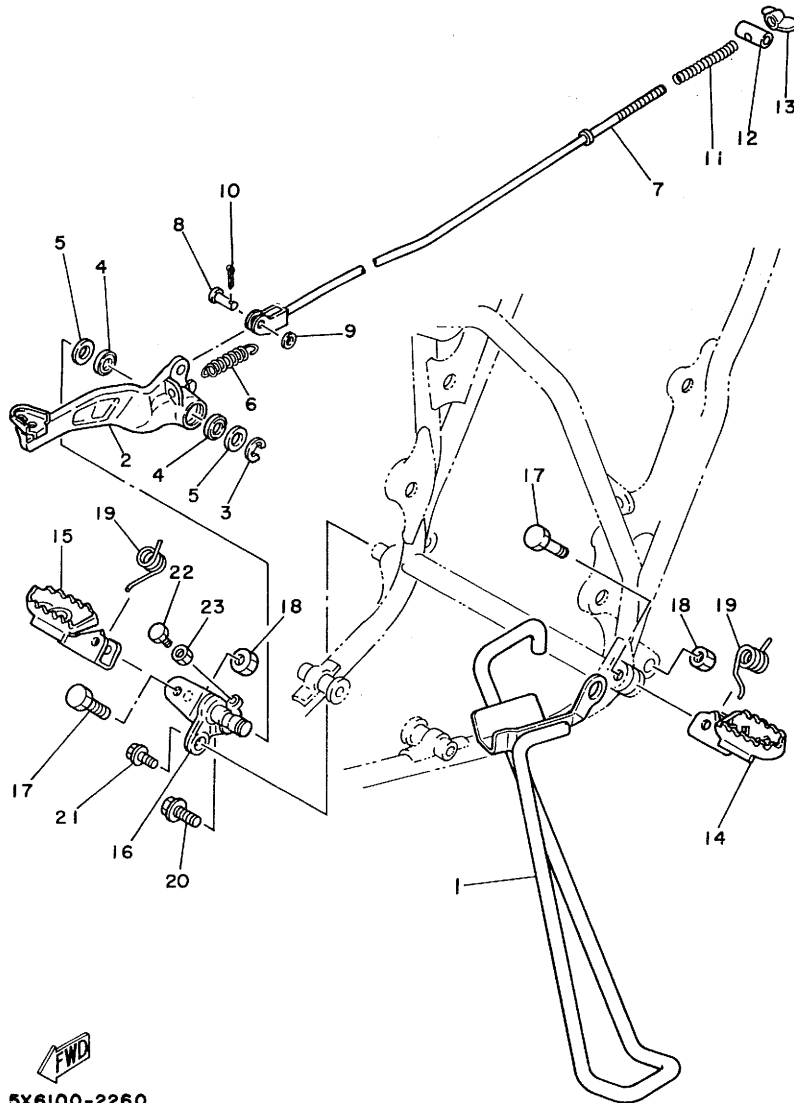
REF. NO.	PART NO.	DESCRIPTION	Q'TY	REMARKS
28	90123-08046	BOLT	2	



5X6100-2250

D13

FIG. 29 STAND-FOOTREST



REF. NO.	PART NO.	DESCRIPTION	Q'TY	REMARKS
1	5X6-27311-01	STAND, side	1	
2	4V4-27200-00	PEDAL, brake	1	
3	93430-10015	CIRCLIP	1	
4	93109-14021	OIL SEAL	2	
5	90201-14536	WASHER, Plate	2	
6	90506-20192	SPRING, tension	1	
7	5X5-27231-00	ROD, brake	1	
8	90240-06040	PIN, clevis	1	
9	92901-06200	WASHER, Plain	1	
10	91401-20015	PIN, cotter	1	
11	90501-10245	SPRING, compression	1	
12	90249-12008	PIN	1	
13	90175-06013	NUT, wing	1	
14	5X6-27411-00	FOOTREST 1	1	
15	5X6-27421-00	FOOTREST 2	1	
16	5X6-27422-00	BRACKET, footrest 2	1	
17	90101-08428	BOLT	2	
18	95601-08100	NUT, u	2	
19	90508-20023	SPRING, torsion	2	
20	90105-12096	BOLT, washer based	1	
21	95811-10020	BOLT, flange	1	
22	97301-06012	BOLT	1	
23	95301-06700	NUT	1	

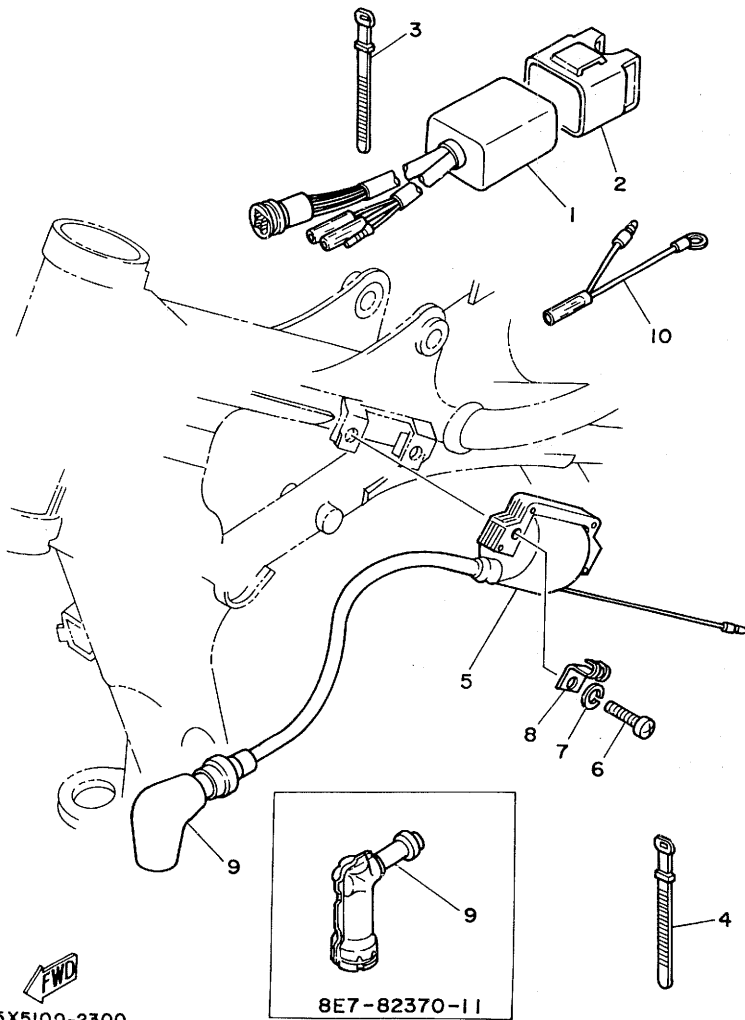


5X6100-2260

D14

FIG. 30 ELECTRICAL 1

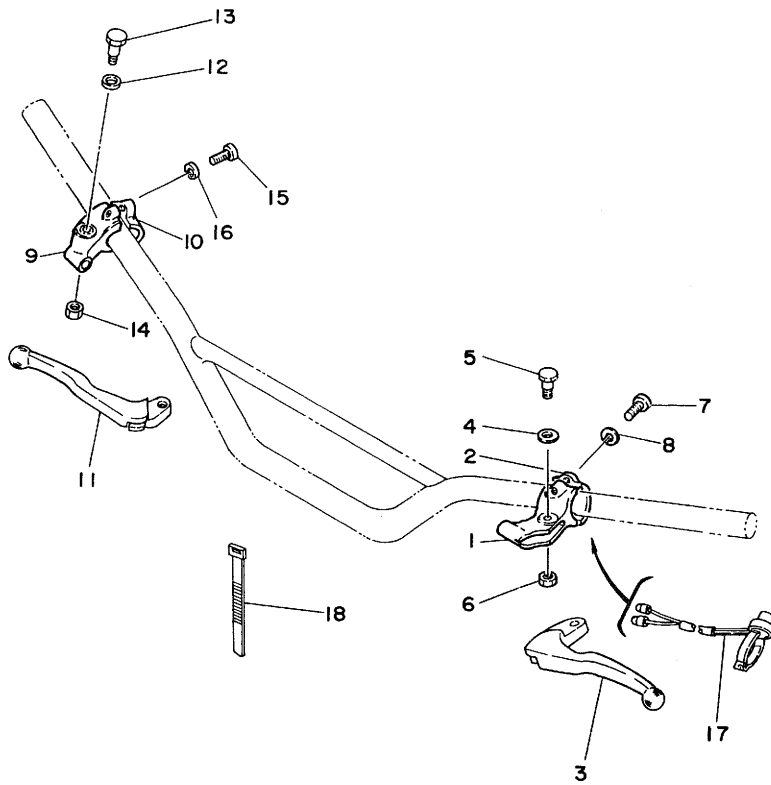
REF. NO.	PART NO.	DESCRIPTION	Q'TY	REMARKS
1	5X5-85540-10	C.D.I. UNIT ASSY	1	
2	2A7-85546-00	BAND	1	
3	437-83936-10	BAND, switch cord	2	
4	256-83936-00	BAND, switch cord	1	
5	2X6-82310-10	IGNITION COIL ASSY	1	
6	92501-06025	SCREW, Pan head	2	
7	92901-06100	WASHER, sPring	2	
8	90462-05005	CLAMP	1	
9	3R0-82370-20	PLUG CAP ASSY	1	UR
	8E7-82370-11	PLUG CAP ASSY	1	UR with noise suppressor
10	4V0-82519-00	WIRE, earth lead	1	



D15

FIG. 31 HANDLE SWITCH•LEVER

REF. NO.	PART NO.	DESCRIPTION	Q'TY	REMARKS
1	4V4-82911-00	HOLDER, lever 1	1	
2	4V4-82913-00	HOLDER, lever lower 1	1	
3	3M2-83912-00	LEVER 1	1	
4	90201-08083	WASHER, Plate	1	
5	90109-06410	BOLT	1	
6	95601-06100	NUT, u	1	
7	98506-05020	SCREW, Pan head	2	
8	92906-05100	WASHER, sPring	2	
9	4V4-82921-00	HOLDER, lever 2	1	
10	4V4-82913-00	HOLDER, lever lower 1	1	
11	3M2-83922-00	LEVER 2	1	
12	90201-08083	WASHER, Plate	1	
13	90109-06410	BOLT	1	
14	95601-06100	NUT, u	1	
15	98506-05020	SCREW, Pan head	2	
16	92906-05100	WASHER, sPring	2	
17	5X6-83976-00	SWITCH, handle 1	1	
18	437-83936-00	BAND, switch cord	2	

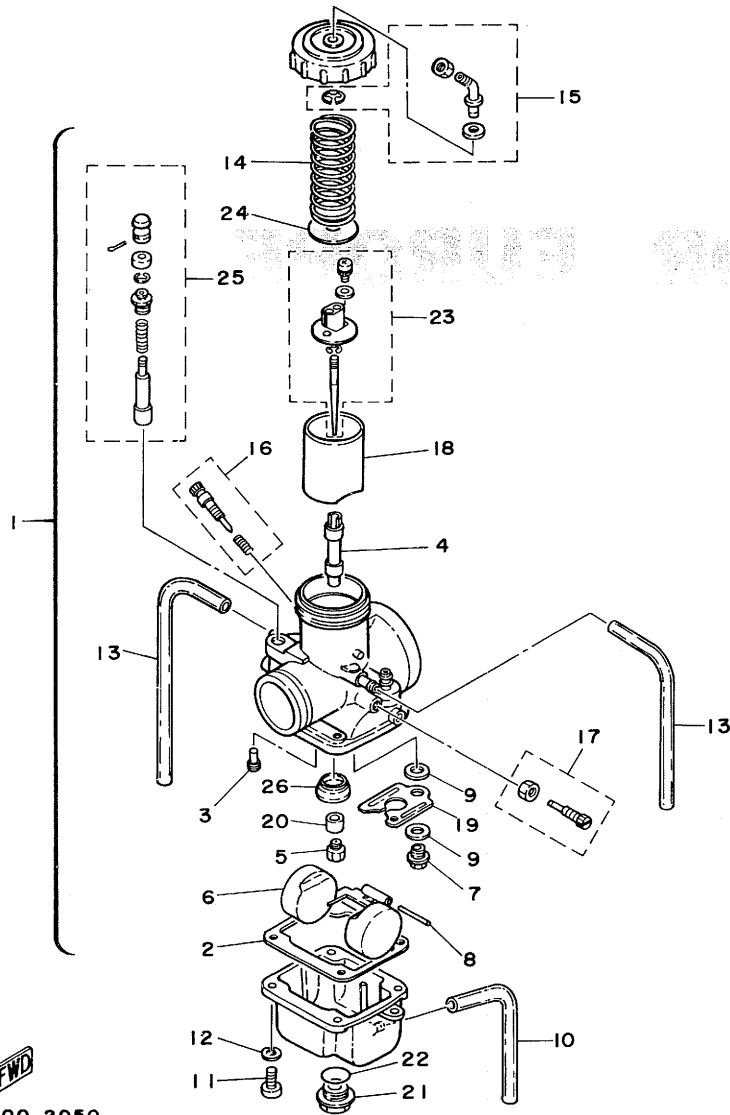


5X6100-2280

E2

EXCLUSIVE FOR EUROPE

FIG. 32 CARBURETOR



REF. NO.	PART NO.	DESCRIPTION	Q'TY	REMARKS
1	5X5-14101-10	CARBURETOR ASSY 1	1	
2	363-14184-00	•GASKET, float chamber	1	
3	193-14142-45	•JET, Pilot (#45.0)	1	
4	510-14141-54	•NOZZLE, main	1	
5	137-14143-78	•JET, main (#390)	1	UR STD
	137-14143-76	•JET, main (#380)	1	UR
	137-14143-80	•JET, main (#400)	1	UR
6	2N7-14185-00	•FLOAT	1	
7	363-14190-35	•NEEDLE VALVE ASSY	1	
8	537-14186-00	•PIN, float	1	
9	239-14195-00	•WASHER, needle valve	2	
10	2K7-14197-00	•PIPE	1	
11	98501-05016	•SCREW, Pan head	4	
12	92902-05100	•WASHER, sPring	4	
13	310-14197-00	•PIPE	2	
14	431-14131-00	•SPRING, throttle valve	1	
15	3R4-W1415-00	•ADJUSTER SET	1	
16	152-W1412-00	•AIR SCREW SET	1	
17	2A0-W1411-00	•THROTTLE SCREW SET	1	
18	2X8-14112-30	•VALVE, throttle 1	1	
19	3R4-14146-00	•PLATE	1	
20	509-14145-00	•SETTER, needle Jet	1	
21	510-14115-00	•PLUG, screw	1	
22	558-14147-00	•O-RING	1	
23	239-W1418-01	•NEEDLE SET (6F16)	1	
24	509-14136-00	•SEAT, sPring	1	
25	737-W1414-00	•STARTER PLUNGER SET	1	
26	5X5-14153-00	•WASHER, main Jet	1	

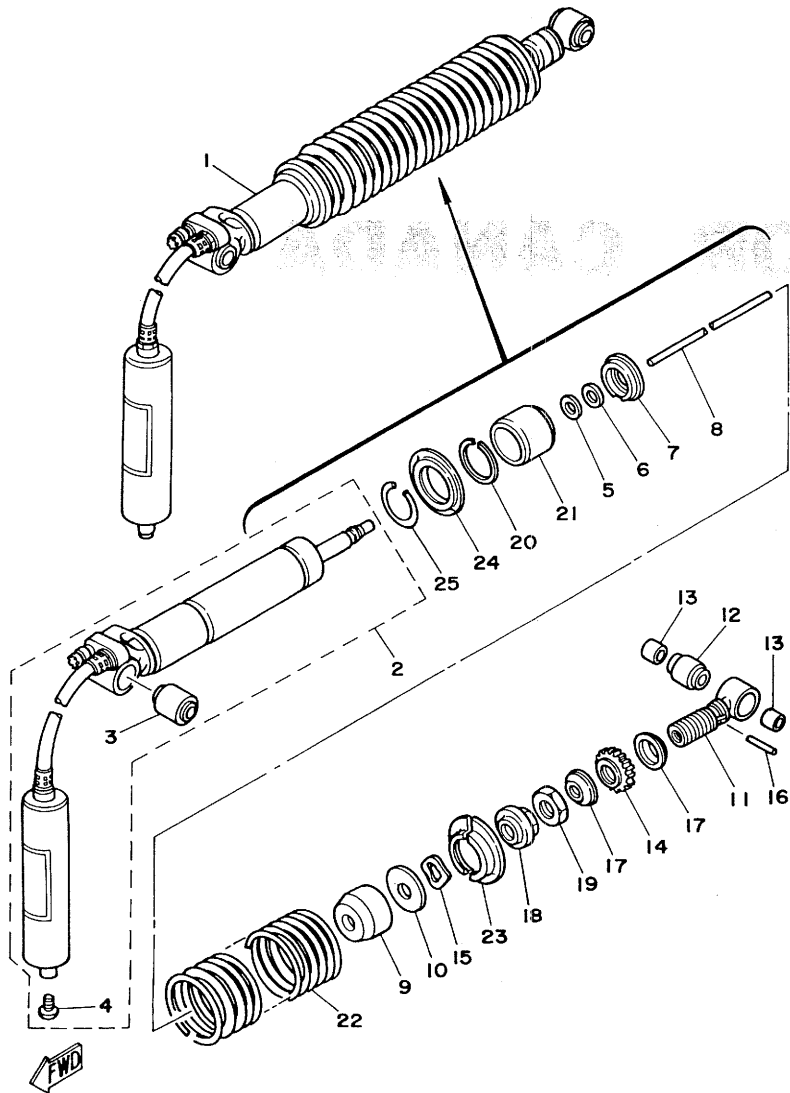


5X6100-2050

E3

EXCLUSIVE FOR CANADA

FIG. 33 REAR SUSPENSION

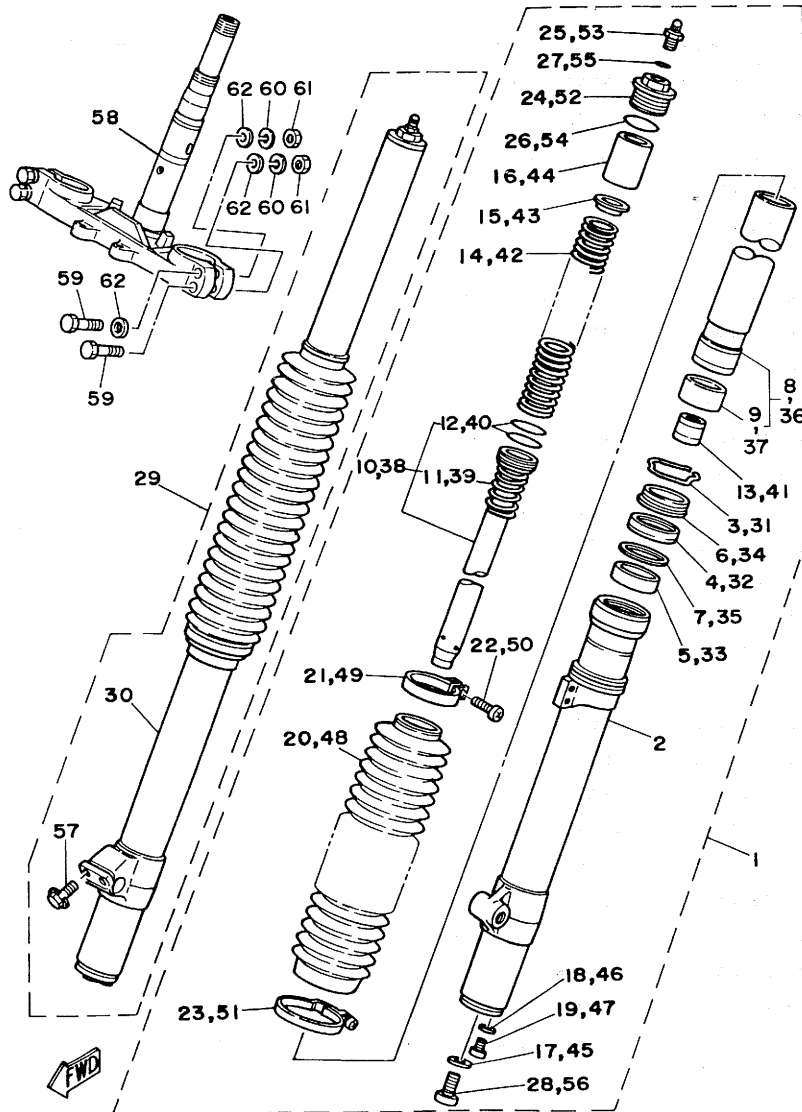


REF. NO.	PART NO.	DESCRIPTION	Q'TY	REMARKS
1	5X5-22210-00	SHOCK ABSORBER ASSY, rear	1	
2	5X6-22401-00	.DUMPER SUB ASSY	1	
3	5X6-22216-00	..BUSH, rear shock absorber	1	
4	98501-04005	..SCREW, Pan head	1	
5	5X6-22475-00	..SEAL, dust	1	
6	5X6-22473-00	..HOUSING, seal ring	1	
7	5X6-22472-00	..CAP, case	1	
8	5X6-22489-00	..ROD, Push	1	
9	5X6-22493-00	..BUMP, stop	1	
10	5X6-22228-00	..SUPPORT, bump stop	1	
11	5X6-22409-00	..UPPER BRACKET SUB ASSY	1	
12	5X6-22226-00	..BUSH, shock absorber lower	1	
13	90384-18157	..BUSH, bimetal formed	2	
14	5X6-22497-00	..NUT, adjusting	1	
15	90206-18072	..WASHER, wave	1	
16	93604-30173	..PIN, dowel	1	
17	4V4-22221-70	..COVER	2	
18	5X6-22213-00	..SEAT, sPring uPPer	1	
19	90170-25294	..NUT	1	
20	93440-52106	..CIRCLIP	1	
21	5X6-22224-00	..GUIDE, sPring 2	1	
22	5X5-22212-00	..SPRING (K=3.5)	1	white / yellow
23	5X6-22214-00	..GUIDE, sPring 1	2	
24	5X6-22223-00	..SEAT, sPring lower	1	
25	93440-51103	..CIRCLIP	1	

5X6300-2300

E4

FIG. 34 FRONT FORK

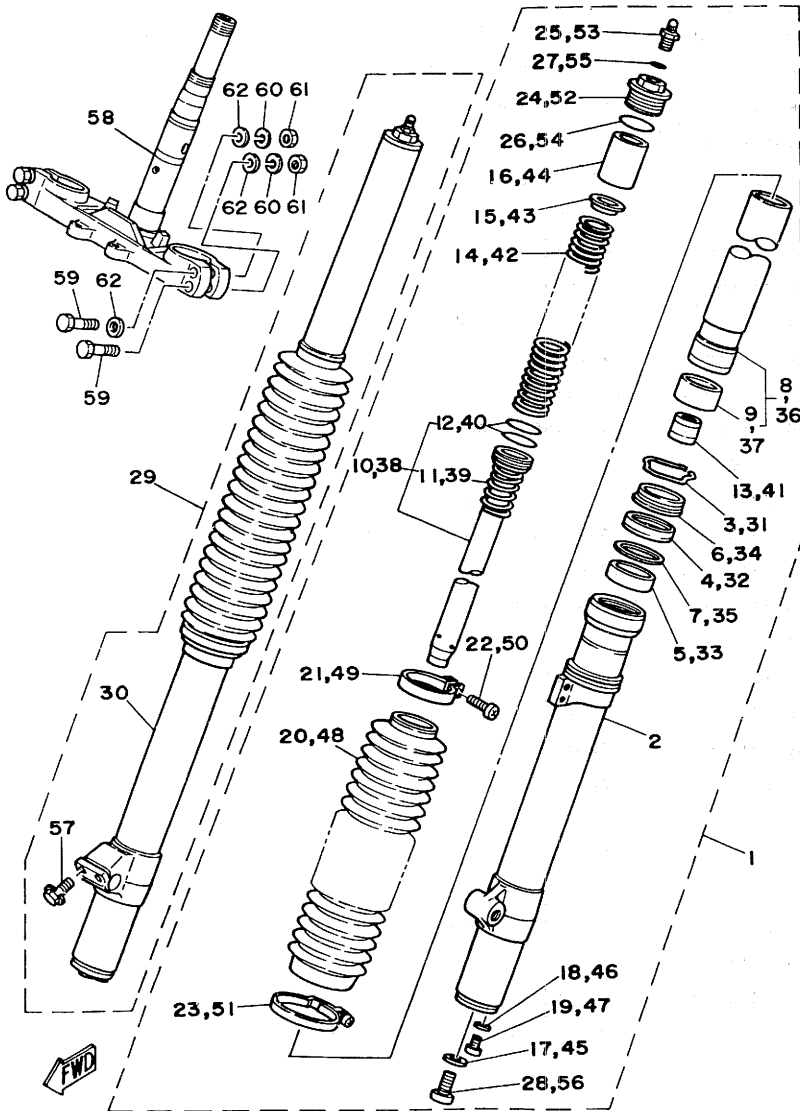


5X5100-2230

E5

REF. NO.	PART NO.	DESCRIPTION	Q'TY	REMARKS
1	5X6-23102-L0	FRONT FORK ASSY (L.H)	1	
2	5X6-23126-L0	.TUBE, outer 1	1	
3	4V4-23153-L0	.RING, snap	1	
4	5X6-23145-L0	.OIL SEAL	1	
5	4V4-23125-L0	.METAL, slide 1	1	
6	5X6-23144-L0	.SEAL, dust	1	
7	4V4-23146-L0	.WASHER, oil seal	1	
8	4V4-23110-L0	.INNER TUBE COMP.1	1	
9	4V4-23171-L0	..PISTON, front fork	1	
10	5X6-23170-L0	.CYLINDER COMP., front fork	1	
11	5X6-23152-L0	..SPRING, sub	1	
12	4V4-23188-L0	..O-RING	2	
13	4V4-23173-L0	.SPINDLE, taPer	1	
14	5X6-23141-L0	.SPRING, front fork (K=0.305)	1	
15	4V4-23142-L0	.SEAT, sPring upper	1	
16	5X6-23118-L0	.SPACER (L=50)	1	
17	4V4-23158-L0	.GASKET	1	
18	122-23129-00	.GASKET, drain plug	1	
19	122-23119-01	.PLUG, drain	1	
20	5X6-23191-L0	.BOOT	1	
21	4V4-23192-L0	.BAND	1	
22	4V4-23194-L0	.SCREW, boot band	1	
23	4V4-23489-L0	.BAND	1	
24	5X6-23111-L0	.BOLT, caP	1	
25	4V4-23190-L0	.AIR VALVE COMP.	1	
26	4V4-23188-L0	.O-RING	1	
27	3J2-23147-00	.O-RING	1	
28	4V4-23181-L0	.BOLT, hexaGon socket head	1	

FIG. 34 FRONT FORK

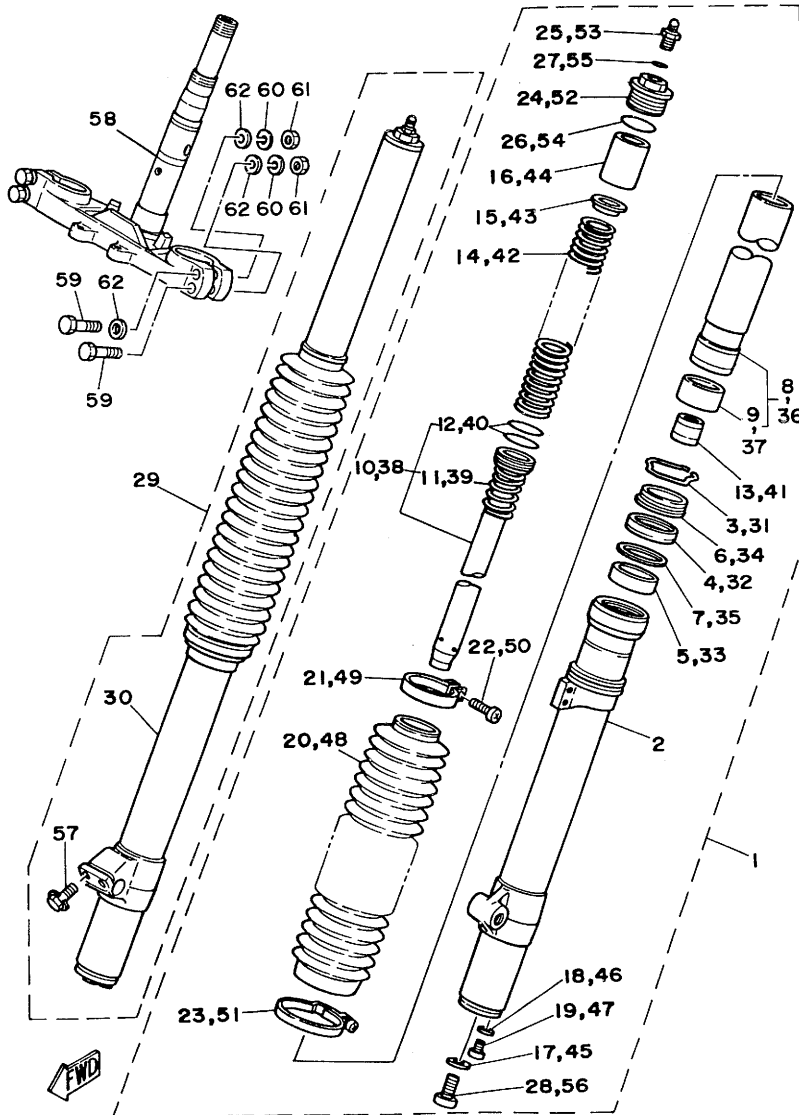


REF. NO.	PART NO.	DESCRIPTION	Q'TY	REMARKS
29	5X6-23103-L0	FRONT FORK ASSY (R.H)	1	
30	5X6-23136-L0	.TUBE, outer 2	1	
31	4V4-23153-L0	.RING, snaP	1	
32	5X6-23145-L0	.OIL SEAL	1	
33	4V4-23125-L0	.METAL, slide 1	1	
34	5X6-23144-L0	.SEAL, dust	1	
35	4V4-23146-L0	.WASHER, oil seal	1	
36	4V4-23110-L0	.INNER TUBE COMP.1	1	
37	4V4-23171-L0	..PISTON, front fork	1	
38	5X6-23170-L0	.CYLINDER COMP., front fork	1	
39	5X6-23152-L0	..SPRING, sub	1	
40	4V4-23188-L0	..O-RING	2	
41	4V4-23173-L0	.SPINDLE, taPer	1	
42	5X6-23141-L0	.SPRING, front fork (K=0.305)	1	
43	4V4-23142-L0	.SEAT, sPring uPPer	1	
44	5X6-23118-L0	.SPACER (L=50)	1	
45	4V4-23158-L0	.GASKET	1	
46	122-23129-00	.GASKET, drain Plug	1	
47	122-23119-01	.PLUG, drain	1	
48	5X6-23191-L0	.BOOT	1	
49	4V4-23192-L0	.BAND	1	
50	4V4-23194-L0	.SCREW, boot band	1	
51	4V4-23489-L0	.BAND	1	
52	5X6-23111-L0	.BOLT, caP	1	
53	4V4-23190-L0	.AIR VALVE COMP.	1	
54	4V4-23188-L0	.O-RING	1	
55	3J2-23147-00	.O-RING	1	
56	4V4-23181-L0	.BOLT, hexaGon socket head	1	

5X5100-2230

E6

FIG. 34 FRONT FORK



REF. NO.	PART NO.	DESCRIPTION	Q'TY	REMARKS
57	5X6-23181-L0	BOLT, hexagon socket head	2	
58	5X5-23340-L0-33	UNDER BRACKET COMP.	1	yamaha black
59	90101-08340	BOLT,	4	
60	92901-08100	WASHER, sPring	4	
61	95311-08600	NUT	4	
62	90201-08544	WASHER, Plate	7	

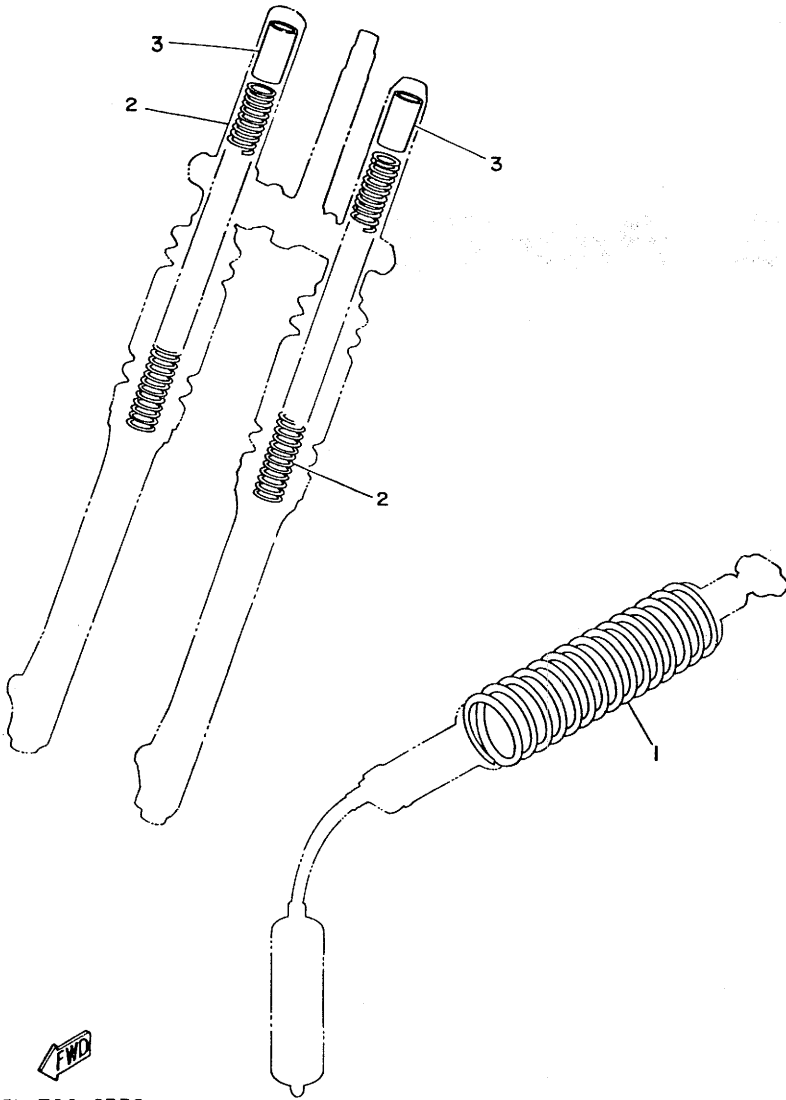
5X5100-2230

E7

ALTERNATE PARTS

FIG. 35 ALTERNATE (CHASSIS)

REF. NO.	PART NO.	DESCRIPTION	Q'TY	REMARKS
1	5X4-22212-00	SPRING (K=3.0)	1	UR no-Painted
	5X5-22212-10	SPRING (K=3.25)	1	UR white/Green
	5X5-22212-00	SPRING (K=3.5)	1	UR white/Yellow
	5X6-22212-00	SPRING (K=3.75)	1	UR white/Blue
2	5X6-23141-10	SPRING, front fork (K=0.275)	2	UR soft (uses Spacer 5X6-23118-10 with set)
	5X6-23141-20	SPRING, front fork (K=0.325)	2	UR hard (uses Spacer 5X6-23118-10 with set)
3	5X6-23118-10	SPACER (L=80)	2	



FWD

5L4700-2330

E8

REPAIR KIT



FIG. 36 REPAIR KIT

REF. NO.	PART NO.	DESCRIPTION	Q'TY	REMARKS
1	5X5-11630-00	PISTON ASSY (STD)	1	
2	5X5-11631-00-94	•PISTON (STD)	1	UR
	5X5-11631-00-95	•PISTON (STD)	1	UR
3	5X5-11601-00	•PISTON RING SET (STD)	1	
4	214-11633-00	•PIN, Piston	1	
5	93450-19052	•CIRCLIP	2	
6	5X5-11630-10	PISTON ASSY (1ST O/S)	1	
7	5X5-11635-00	•PISTON (1ST O/S 0.25MM)	1	
8	5X5-11601-10	•PISTON RING SET (1ST O/S)	1	
9	214-11633-00	•PIN, Piston	1	
10	93450-19052	•CIRCLIP	2	
11	5X5-11630-20	PISTON ASSY (2ND O/S)	1	
12	5X5-11636-00	•PISTON (2ND O/S 0.50MM)	1	
13	5X5-11601-20	•PISTON RING SET (2ND O/S)	1	
14	214-11633-00	•PIN, Piston	1	
15	93450-19052	•CIRCLIP	2	
16	5X5-11630-30	PISTON ASSY (3RD O/S)	1	
17	5X5-11637-00	•PISTON (3RD O/S 0.75MM)	1	
18	5X5-11601-30	•PISTON RING SET (3RD O/S)	1	
19	214-11633-00	•PIN, Piston	1	
20	93450-19052	•CIRCLIP	2	
21	5X5-11630-40	PISTON ASSY (4TH O/S)	1	
22	5X5-11638-00	•PISTON (4TH O/S 1.00MM)	1	
23	5X5-11601-40	•PISTON RING SET (4TH O/S)	1	
24	214-11633-00	•PIN, Piston	1	
25	93450-19052	•CIRCLIP	2	
26	5X5-11650-00	CONNECTING ROD ASSY	1	
27	5X5-11651-00	•ROD, connecting	1	

FIG. 36 REPAIR KIT

REF. NO.	PART NO.	DESCRIPTION	Q'TY	REMARKS
28	2X4-11681-00	•PIN, crank 1	1	
29	93310-42541	•BEARING, cylindrical	1	
30	90209-25220	•WASHER	2	
31	93310-418E9	•BEARING, cylindrical	1	
32	5X5-W0001-00	GASKET KIT	1	
33	5X5-11351-00	•GASKET, cylinder	1	
34	93210-82153	•O-RING	1	
35	93211-31513	•O-RING	1	
36	2K7-13621-00	•GASKET, valve seat	1	
37	3R4-14613-00	•GASKET, exhaust PiPe	1	
38	5X5-15451-00	•GASKET, crankcase cover	1	
39	5X5-15462-00	•GASKET, crankcase cover 3	1	
40	93210-14104	•O-RING	1	
41	90430-12038	•GASKET	1	

INDEX

NUMERICAL INDEX

PART NO.	REF. NO.	PART NO.	REF. NO.	PART NO.	REF. NO.
5X5-W0001-00	36-32	214-11633-00	36-24	2X8-14112-30	8-18
5X5-W1132-00	1-17	5X5-11635-00	3- 1		32-18
5X5-W1133-00	1-20		36- 7	510-14115-00	8-21
2A0-W1411-00	8-17	5X5-11636-00	3- 1		32-21
	32-17		36-12	431-14131-00	8-14
152-W1412-00	8-16	5X5-11637-00	3- 1		32-14
	32-16		36-17	509-14136-00	8-24
737-W1414-00	8-25	5X5-11638-00	3- 1		32-24
	32-25		36-22	510-14141-50	8- 4
3R4-W1415-00	8-15	5X5-11650-00	36-26	510-14141-54	32- 4
	32-15	5X5-11651-00	3-10	193-14142-45	8- 3
239-W1418-01	8-23		36-27		32- 3
	32-23	2X4-11681-00	3- 9	137-14143-72	8- 5
3R4-W1442-01	7-15		36-28	137-14143-74	8- 5
5X6-W2473-10	25- 1	5X5-11911-00	2-20	137-14143-76	8- 5
5X5-11111-00	1- 1	5X5-11912-00	2-19		32- 5
5X5-1131A-00	1- 7	5X5-11915-00	1-26	137-14143-78	32- 5
5X5-1131N-00	1-19	5X5-11921-00	2-12	137-14143-80	32- 5
5X5-11311-00	1- 6	5X5-11922-00	2- 7	509-14145-00	8-20
5X5-11351-00	1- 8	5X5-11931-00	2- 1		32-20
	36-33	5X5-11937-00	1-24	3R4-14146-00	8-19
5X5-11400-00	3- 6	5X5-11951-00	2-13		32-19
3R4-11412-00	3- 7	5X5-11952-00	2-15	558-14147-00	8-22
5X5-11422-00	3- 8	5X5-11953-00	2-11		32-22
5X5-11601-00	3- 2	5X5-11990-00	2- 3	5X5-14153-00	8-26
	36- 3	5X5-11992-00	1-29		32-26
5X5-11601-10	3- 2			363-14184-00	8- 2
	36- 8	5X5-11995-00	1-31		32- 2
5X5-11601-20	3- 2	5X5-12422-00	5- 9	2N7-14185-00	8- 6
	36-13	5X5-12428-00	5-10		32- 6
5X5-11601-30	3- 2	5X5-12450-00	5- 2	537-14186-00	8- 8
	36-18	5X5-12459-00	5- 1		32- 8
5X5-11601-40	3- 2	5X5-12460-00	6- 1	363-14190-35	8- 7
	36-23	4V2-12462-00	6- 2		32- 7
5X5-11630-00	36- 1	4V2-12481-00	6- 5	239-14195-00	8- 9
5X5-11630-10	36- 6	5X5-12482-00	6- 6		32- 9
5X5-11630-20	36-11	5X5-12483-00	6- 7	2K7-14197-00	8-10
5X5-11630-30	36-16	4V2-12484-00	6- 9		32-10
5X5-11630-40	36-21	5X5-12484-00	6- 8	310-14197-00	8-13
5X5-11631-00-94	3- 1	137-13115-00	10- 8		32-13
	36- 2	3R4-13565-00	7- 7	5X5-14401-00	7-11
5X5-11631-00-95	3- 1	3R5-13610-00	7- 1	5X5-1441L-00	7-20
	36- 2	3R5-13613-00	7- 2	5X5-14412-00	7-18
214-11633-00	3- 3	2X5-13616-00	7- 3	5X5-14436-00	7-24
	36- 4	2K7-13621-00	7- 6	5X5-14452-00	7-22
	36- 9		36-36	1W1-14457-01	7-12
	36-14	5X5-14101-00	8- 1	3R4-14458-00	7-16
	36-19	5X5-14101-10	32- 1	4V4-14459-00	7-15

NUMERICAL INDEX

PART NO.	REF. NO.	PART NO.	REF. NO.	PART NO.	REF. NO.
4V4-14499-00	7-28	5X5-17231-00	14-16	5X6-22159-00	20-32
5X5-14610-00	9- 1	5X5-17241-00	14-15	5X6-2217A-00	20-22
3R4-14613-00	9- 2	5X5-17251-00	14-19	5X6-2217F-00	20-35
	36-37	5X5-17411-00	14- 1	5X6-2217H-00	20-42
565-14747-00	9-10	5X5-17421-00	14-11	5X6-22178-00	17-19
4V3-14753-11	9- 9	4V5-17446-00	11- 9	5X6-2218A-00	20-55
5X5-14753-00	9- 9	1W4-17461-30	14-25	4V4-22184-00	17-20
5X5-14753-10	9- 9	1W4-17461-40	14-25	5X6-22199-00	20-15
565-14771-00	9-14	1W4-17461-50	14-25	5X5-22210-00	33- 1
3R4-14781-02	9- 4	5X5-18101-00	16- 1	5X5-22210-10	21- 1
5X5-15111-00	10- 1	5X5-18111-00	16- 2	5X4-22212-00	35- 1
5X5-15113-00	10-18	1W6-18113-00	16- 6	5X5-22212-00	33-22
3R4-15118-00	10-16	3R4-18140-00	15- 7		35- 1
5X5-15121-00	10-11	5X4-18162-00	16- 3	5X5-22212-10	21-22
1G8-15362-00	11-16	1W1-18177-00	15- 9		35- 1
3R4-15381-00	10-14	3R4-18185-00	15- 2	5X6-22212-00	35- 1
3R4-15383-01	10- 6	5X5-18511-00	15-10	5X6-22213-00	21-18
5X5-15411-00	11- 1	4V3-18512-00	15-11		33-18
3R4-15421-00	11- 5	5X5-18513-00	15-12	5X6-22214-00	21-23
5X5-15431-00	11-11	5X5-18531-00	15-14	33-23	
5X5-15451-00	11- 2	5X5-18535-00	15-15	5X6-22216-00	21- 3
	36-38	3R5-18540-03	15- 1		33- 3
5X5-15462-00	11-12	4V2-21543-00	18-15	4V4-22221-70	21-17
	36-39	3R4-18561-00	15- 3		33-17
2K7-15618-00	12-17	5X5-21110-00-33	17- 1	5X6-22223-00	21-24
3R4-15620-00	12-11	5X5-21415-00	17- 2		33-24
3R4-15621-01	12-12	5X5-21425-00	17- 7	5X6-22224-00	21-21
3R4-15641-00	12- 2	5X6-21511-10	18- 1		33-21
3R4-15651-00	12- 7	3R4-21611-10	18- 8	5X6-22226-00	21-12
5X5-15660-00	12- 1	1M1-21621-00	18-13		33-12
3R4-15664-00	12- 6	5X6-21629-00	18-12	5X6-22228-00	21-10
5X5-16110-00	13- 1	5X6-21652-00	20-51		33-10
5X5-16150-00	13- 5	5X6-21711-10-98	19- 1	5X6-22261-00	21-30
2K7-16154-00	13-12	5X6-21721-10-98	19- 7	5X6-22262-00	21-40
	13-14	3R4-21732-00	7-21	5X6-22401-00	33- 2
2K7-16181-00	13-13	5X5-21737-10	19-11	5X6-22401-10	21- 2
5X5-16321-00	13- 9	565-21746-00	18-14	5X6-22409-00	21-11
5X5-16325-00	13- 8	5X6-22110-00-35	20- 1		33-11
1M1-16351-00	13- 7	5X6-22123-00	20-38	5X6-22472-00	21- 7
3R4-16356-00	13-17	2K6-22128-01	20-26		33- 7
2K7-16357-00	13-23	3R4-22129-00	20- 7	5X6-22473-00	21- 6
3R4-16371-00	13- 6	5X6-22129-00	21-37		33- 6
4V4-16380-00	13-28	5X6-2214F-00	20-56	5X6-22475-00	21- 5
5X5-17121-00	14- 8	5X6-22141-00	20-12		33- 5
5X5-17131-00	14- 4		20-29	5X6-22489-00	21- 8
5X5-17141-00	14- 3	5X6-22147-00	20-19		33- 8
5X5-17151-00	14- 7	5X6-22151-00	20-33	5X6-22493-00	21- 9
5X5-17211-00	14-14	5X6-22151-10	20-10		33- 9
5X5-17221-00	14-21	5X6-22152-00	20-34		

NUMERICAL INDEX

NUMERICAL INDEX

PART NO.	REF. NO.	PART NO.	REF. NO.	PART NO.	REF. NO.	PART NO.	REF. NO.	PART NO.	REF. NO.	PART NO.	REF. NO.
5X6-22497-00	21-14	5X6-23145-L0	23- 4	4V4-23188-L0	23-40	431-24181-00	19- 6	3R4-25446-00	27-20	5X5-85510-10	4- 3
	33-14		23-32		23-54	1W1-24182-01	24- 2	3R4-25448-00	27-20	5X5-85520-10	4- 4
5X6-23102-L0	34- 1		34- 4		34-12	5X4-24183-00	24-24	3R4-25450-00	27-20	5X5-85540-10	30- 1
5X6-23102-M0	23- 1		34-32		34-26	5X5-24184-00	24-29	3R4-25452-00	27-20	2A7-85546-00	30- 2
5X6-23103-L0	34-29	4V4-23146-L0	23- 7		34-40	5X6-24240-19	24-25	4V2-26111-01	28- 1	5X5-85550-10	4- 2
5X6-23103-M0	23-29		23-35		34-54	2K5-24500-00	24-12	4V4-26241-00	28- 2	2K7-85555-00	17-25
4V4-23110-L0	23- 8		34- 7	4V4-23190-L0	23-25	1A0-24512-00	24-14	4V4-26242-00	28- 3	90101-06291	26-14
	23-36		34-35		23-53	214-24512-00	24-13	4V4-26243-00	28- 4		27-12
	34- 8	3J2-23147-00	23-27		34-25	619-24535-00	24-15	4V4-26249-00	28- 5	90101-06304	25- 4
	34-36		23-55		34-53	5X7-24611-00	24-20	4V4-2628E-00	28- 9	90101-08340	23-59
5X6-23111-L0	34-24		34-27	5X6-23191-L0	23-20	5X7-24612-00	24-21	4V4-2628F-00	28-10		34-59
	34-52		34-55		23-48	509-24724-00	25- 6	4V4-2628G-00	28-14	90101-08428	29-17
5X6-23118-M0	23-24	5X6-23152-L0	23-11		34-20	1W1-24738-00	25- 3	4V4-26281-00	28- 7	90101-08475	27-31
	23-52		23-39		34-48	116-24741-00	25- 5	4V4-26282-00	28- 8	90102-08034	27-41
5X6-23118-L0	23-16		34-11	4V4-23192-L0	23-21	5X6-24748-00	25- 7	5X6-26311-00	28-15	90105-12096	29-20
	23-44		34-39		23-49	5X6-24771-10	25- 2	510-26329-00	28-16	90109-06410	31- 5
	34-16	4V4-23153-L0	23- 3		34-21	2W6-25104-02	26-24	5X5-26335-01	28-17		31-13
	34-44		23-31		34-49	1K7-25111-11-98	26- 1	5X5-26341-00	28-19	90109-06551	9-15
5X6-23118-10	35- 3		34- 3	4V4-23194-L0	23-22	146-25116-00	26- 3	382-26372-01	28-18	90109-08370	27-40
122-23119-01	23-19		34-31		23-50	322-25118-00	26-31		28-20	90109-08512	9-13
	23-47	4V4-23158-L0	23-17		34-22	5X6-25121-00-98	26- 7			90109-10550	21-26
	34-19		23-45		34-50	3R5-25130-00	26- 8	3R4-26393-01	10-10	90109-10645	21-30
	34-47		34-17	4H7-23317-00	22-36	322-25151-00	26-10	4V4-27200-00	29- 2	90109-12646	20-45
4V4-23125-L0	23- 5		34-45	5X5-23340-L0-33	23-58	5X6-25155-00	26-11	5X5-27231-00	29- 7	90110-08038	27-21
	23-33	5X5-2317E-00	22- 1		34-58	5X6-25156-00	26-12	5X6-27311-01	29- 1	90116-08325	1- 3
	34- 5	5X5-2317F-00	22- 3	5X5-23389-00	22- 2	137-25159-00	26-13	5X6-27411-00	29-14	90116-10313	1- 9
	34-33	5X6-23170-L0	23-10	5X4-23395-10	22-34	3R5-25161-00	26-15	5X6-27421-00	29-15	90116-10314	1-10
5X6-23126-L0	23- 2		23-38	1W1-23416-00	22-12	3R5-25163-00	26-17	5X6-27422-00	29-16	90119-06022	24- 9
	34- 2		34-10	5X5-23435-00-98	22-18	3R5-25164-00	26-18	5X5-28100-10	17-24	90123-08046	28-28
122-23129-00	23-18		34-38	1E6-23441-00-98	22-22	3R4-25181-01	26-29	2X4-2811A-00	17-27	90149-06011	24-17
	23-46	4V4-23171-L0	23- 9	5X4-23462-00	22- 4	4V5-25194-00	26-28	1W1-28135-10	17-26	90149-08169	13-19
	34-18		23-37	5X4-23472-01	22-26	5X5-25304-00	27-15	648-45533-00-03	20- 9	90159-06016	13-11
	34-46		34- 9	5X4-23485-10	22-25	5X5-25311-00-98	27- 1	2X6-82310-10	30- 5	90170-16111	20-13
5X6-23136-L0	23-30		34-37	5X5-23486-00	22-29	4V4-25315-00	27- 3	3R0-82370-20	30- 9		20-30
	34-30	4V4-23173-L0	23-13	5X5-23487-00	22-30	5X5-25317-00	27- 2	8E7-82370-11	30- 9	90170-18089	13- 4
5X6-23141-L0	34-14		23-41	4V4-23489-L0	23-23	5X5-25321-00-98	27- 7	4V0-82519-00	30-10	90170-20255	13-16
	34-42		34-13		23-51	5X5-25327-00	27-26	688-82535-00	28- 6	90170-25294	21-19
5X6-23141-M0	23-14		34-41		34-23	3R4-25330-00	27- 8	4V4-82911-00	31- 1		33-19
	23-42	4V4-23181-L0	23-28		34-51	401-25351-00	27-10	4V4-82913-00	31- 2	90175-06012	7-14
5X6-23141-10	35- 2		23-56	4V2-23491-00	22-14	5X4-25355-00	27-11		31-10	90175-06013	29-13
5X6-23141-20	35- 2		34-28	5X4-23499-00	22- 8	4V4-25367-00	27-24	4V4-82921-00	31- 9	90176-08026	1- 4
4V4-23142-L0	23-15		34-56	5X4-23774-00	22-35	5X5-25371-00	27-37	3M2-83912-00	31- 3	90179-05376	2- 2
	23-43			5X5-24110-10	24- 1	4V4-25381-01	27-33	3M2-83922-00	31-11	90179-08148	28-21
	34-15			5X6-2412F-00	24-26	5X6-25388-00	27-30	256-83936-00	30- 4	90179-10257	4-11
	34-43	5X6-23181-L0	23-57	1W1-24144-01	24- 3	5X5-25389-00	27-29	437-83936-00	31-18	90179-10292	1-12
5X6-23144-L0	23- 6		34-57			2X5-25394-00	27-19	437-83936-10	30- 3	90179-12244	12-18
	23-34	4V4-23188-L0	23-12	5X6-24173-00	24-11	3R4-25444-01	27-20	5X6-83976-00	31-17	90179-20255	14-27
	34- 6		23-26	3R4-24181-00	24-23	3R4-25445-00	27-20	5X5-85500-10	4- 1	90179-22330	22-21
	34-34									90179-25033	22-13
										90185-08089	17-17

NUMERICAL INDEX

PART NO.	REF. NO.	PART NO.	REF. NO.	PART NO.	REF. NO.
90185-08089	27-22	90240-06040	29- 8	90460-20190	6-10
90185-10110	21-32	90243-08020	16- 5	90460-51109	7- 8
90185-12061	20-47	90249-12008	29-12	90460-68120	7-10
90185-18104	27-34	90249-16153	20-40	90462-05005	30- 8
90201-06042	16- 8	90280-03017	3-15	90465-14192	28-25
90201-06052	18-18	90282-04036	15- 5	90467-10008	6- 4
90201-06067	20-21	90338-12131	17-23		24-19
90201-06407	24- 8	90339-13005	17-18	90467-20030	7-13
90201-06570	6-14	90340-12059	10-20	90468-26048	12- 3
90201-06571	18- 2	90380-12094	21-36	90480-13197	7-31
	18-11	90380-14095	20-49	90480-15064	6-12
	19- 5	90380-15104	2-18	90480-22263	21-38
	19-10	90380-16077	20- 8	90501-10245	29-11
	22-31	90381-08002	5- 5	90501-12081	12-14
90201-08083	31- 4	90381-20039	27-28	90501-23138	13-10
	31-12	90384-16156	20-39	90501-26662	2-14
90201-08087	1- 5	90384-18157	21-13	90506-16036	26- 9
90201-08092	13-21		33-13		27- 9
90201-081A6	27-23	90386-22097	20- 3	90506-20192	29- 6
90201-08114	9-12		20-24	90507-20030	9- 3
90201-08554	23-62	90387-072E7	6-13	90508-14423	13-27
	34-62	90387-07393	24- 7	90508-14516	16- 4
90201-100E9	21-34	90387-08258	9-11	90508-20023	29-19
90201-10141	17-12	90387-083F0	27-44	90508-20425	26-22
90201-120E6	20-48	90387-083F3	17-21	90508-26421	15- 8
	21-33	90387-083F4	2-23	90508-29361	16-13
90201-12164	5- 6	90387-102F3	1-23	90508-30422	12- 5
90201-14536	29- 5	90387-152F2	2-17	90560-12171	16-12
90201-151A7	2-16	90387-15535	26-30	90560-15116	26- 2
90201-15234	12-15	90387-162F7	20-25	91316-04006	2- 8
90201-160F6	20-14	90387-16776	10-13	91316-06020	7- 9
	20-31	90387-204F5	27-13	91316-06040	10- 5
90201-17327	13-26	90387-206F6	27-25	91316-06045	10- 4
90201-17545	12- 8	90387-252F6	13- 2	91316-06055	10- 3
90201-20278	14-13	90387-25663	14-24	91316-06060	10- 2
90201-20358	12- 4	90387-440G3	20-11	91401-20015	26-21
90201-22555	14- 6	90430-05009	28-13		27-43
90201-22680	20-27	90430-06016	10-23		28-24
90201-237E8	22-19	90430-06166	1-16		29-10
90201-25287	14-20		5-12	91401-20025	21-29
90202-06010	24-16	90430-12038	10-21	91401-25020	20-50
90206-18072	21-15		36-41		21-35
	33-15	90445-09270	10- 9	91401-40030	20-44
90209-06187	18- 3	90445-09300	24-22	91701-06018	28-22
90209-22082	14-18	90445-11182	24-18	91810-05016	10-12
90209-25220	3-12	90446-09181	6- 3	91830-24016	1-11
	36-30	90446-11180	16- 7		
90215-16198	20-43	90460-16192	6-11	92501-06012	10-15
90215-20125	13-15				
90215-21121	14-26				
90240-06006	26-19				

NUMERICAL INDEX

PART NO.	REF. NO.	PART NO.	REF. NO.	PART NO.	REF. NO.
92501-06012	10-19	92901-08100	13-20	93109-22018	20- 4
	24-27		17- 4	93210-09192	1-25
92501-06015	19- 3		17- 9	93210-14104	11-17
	19- 8		23-60		36-40
	22-32		34-60	93210-14167	27-45
	28-26	92901-08200	9- 5	93210-23505	22-20
92501-06025	4- 8		17-16	93210-31114	27-27
	30- 6	92901-08600	9- 8	93210-35512	1-22
	10-17		17- 5	93210-35520	22- 9
92501-08010	21-41		17-10	93210-37160	22-15
92502-06016	10-22		27-46	93210-82153	1-13
92506-06008	11-10	92901-18100	13- 3		36-34
92506-06012	7-26	92902-05100	4- 6	93211-31513	1-14
92506-06025	5-14		8-12		36-35
	11- 4		32-12	93300-60801	2-10
	11-14	92902-05200	22-28	93306-00006	2- 9
92506-06030	11- 3	92902-06100	18- 5	93306-00105	5- 3
	11- 6		18- 7	93306-00106	15-16
92506-06040	11-15		18-10	93306-00406	27- 5
92506-06065	11-13		21-42	93306-00418	27- 4
92701-06012	10- 7		25-13	93306-00422	15- 4
92901-05100	1-28	92902-06600	21-43	93306-20203	26- 4
	20-53		25-11	93306-20205	26- 5
92901-05200	20-54	92902-08200	19- 2	93306-20542	14- 2
92901-05600	2- 4	92902-08600	20-17	93306-20544	14-22
	4- 7	92902-10600	21-28	93306-20627	3-13
92901-06100	4- 9	92903-03100	7- 5		3-16
	7-30	92906-05100	31- 8	93310-418E9	3- 5
	7-33		31-16	93310-418E9	36-31
	9-17	92906-06100	11- 7	93310-42541	3-11
	18-17		7-27		36-29
	19- 4	92906-06200	7-25	93311-41734	14- 9
	19- 9	92906-06600	11- 8	93311-62035	14-10
	22-33	93101-12004	16-11	93315-21721	13-24
	24- 5	93102-17004	13-25	93317-22023	20-36
	24-28	93102-20009	26- 6	93317-22208	20- 2
	25- 9	93102-28022	27- 6		20-23
	28-27	93102-28234	22-10	93332-00008	22- 6
	30- 7	93102-32M07	14-23	93332-00023	22- 7
92901-06200	6-18	93103-12119	5- 4	93342-22208	20- 5
	26-20	93103-30092	3-14	93399-99905	27-38
	28-23	93103-40091	3-17	93399-99906	27-38
	29- 9	93104-08040	2- 6	93410-17008	12- 9
92901-06600	4-10	93104-16074	1-21	93410-20038	14-12
	6-16	93107-30009	22-11	93410-22039	14- 5
	9-18	93108-23009	27-39	93430-08006	5- 7
	22-17	93108-35004	20- 6	93430-10015	29- 3
	24- 6		20-28	93430-10016	12-16
92901-08100	9- 7	93109-14021	29- 4		
		93109-20014	12-10		
		93109-20029	20-37		

NUMERICAL INDEX

PART NO.	REF. NO.	PART NO.	REF. NO.	PART NO.	REF. NO.
93440-25084	14-17	95601-05100	2- 5	98506-05012	1-18
93440-28099	22- 5	95601-06100	6-17	98506-05020	1-30
93440-51103	21-25		18-19		31- 7
	33-25		31- 6		31-15
93440-52106	21-20		31-14	98701-05016	15- 6
	33-20	95601-08100	29-18	98902-06018	24-10
93450-19052	3- 4	95601-10100	17-13	98906-05010	28-11
	36- 5	95602-06100	25-12		
	36-10	95602-08100	20-18		
	36-15	95611-08100	27-42		
	36-20	95801-06020	20-20		
	36-25	95801-08040	17-22		
93507-32009	12-13	95802-08055	20-16		
93515-32029	13-18	95806-06012	1-15		
93521-64032	2-21	95811-08100	17- 6		
93603-14179	2-22	95811-08180	17-15		
93603-22028	5- 8	95811-10020	29-21		
93604-10011	5-11	95811-10050	17-11		
93604-30173	21-16	95821-08035	22-23		
	33-16	95821-08040	22-24		
93606-14154	15-13	95826-06025	5-13		
93608-25150	16-10	97301-06010	9-16		
93700-06004	20-41	97301-06012	7-32		
	20-46		24- 4		
	21-31		25- 8		
94130-21731	26-25		29-22		
94130-21732	26-25	97301-06016	7-29		
94151-18736	27-16		18- 9		
94151-18737	27-16		22-16		
94227-21123	26-26	97301-06020	18-16		
94230-21126	26-26	97301-06030	6-15		
94245-18125	27-17	97301-08016	9- 6		
94251-18150	27-17	97302-06020	18- 4		
94330-21084	26-27	97302-06035	18- 6		
94330-21088	26-27		25-10		
94340-18086	27-18	97321-06020	16- 9		
94345-18081	27-18	97321-08020	17- 3		
94416-21275	26-23		17- 8		
94421-18319	27-14	97702-40112	7-23		
94585-20110	27-35	97702-40116	7-19		
94585-20112	27-35	97702-50514	22-27		
94685-20001	27-36	98501-03008	7- 4		
*	1- 2	98501-04005	21- 4		
95301-06700	26-16		33- 4		
	29-23	98501-05012	1-27		
95301-08700	27-32		20-52		
95302-10700	21-27	98501-05016	8-11		
95311-08600	23-61		28-12		
	34-61		32-11		
95311-08700	13-22	98501-05020	4- 5		

PARTS NAME INDEX

DESCRIPTION	REF. NO.
ADJUSTER SET	8-15
*	32-15
AIR CLEANER CASE ASSY	7-11
AIR SCREW SET	8-16
*	32-16
AIR VALVE COMP.	23-25
*	23-53
*	34-25
*	34-53
ARM, relay	20-22
AXLE, drive	14-11
AXLE, main (14T)	14- 1
AXLE, wheel	26-29
*	27-33
BALL	2-21
*	12-13
*	13-18
BAND	23-21
*	23-23
*	23-49
*	23-51
*	30- 2
*	34-21
*	34-23
*	34-49
*	34-51
BAND, rim (3.00-21)	26-27
*	26-27
BAND, rim (4.00-18)	27-18
BAND, rim (4.50-18)	27-18
BAND, switch cord	30- 3
*	30- 4
*	31-18
BAND, tank fitting 1	24-11
BAR, shift fork guide 1	15-14
BAR, shift fork guide 2	15-15
BAR, tension	27-37
BEARING	2- 9
*	3-13
*	3-16
*	14- 2
*	14-22
*	15- 4
*	15-16
*	20- 5
*	22- 6
*	22- 7
*	27- 4

PARTS NAME INDEX

DESCRIPTION	REF. NO.
BEARING	27-38
*	27-38
BEARING (B0060)	2-10
BEARING (B6001)	5- 3
BEARING (B6004Z)	27- 5
BEARING (B6202)	26- 5
BEARING (B6202RS)	26- 4
BEARING, cylindrical	3- 5
*	3-11
*	13-24
*	14- 9
*	14-10
*	20- 2
*	20-23
*	20-36
*	36-29
*	36-31
BODY, caP	24-20
BOLT	2- 8
*	6-15
*	7- 9
*	7-29
*	7-32
*	9- 6
*	9-13
*	9-15
*	9-16
*	10- 2
*	10- 3
*	10- 4
*	10- 5
*	16- 9
*	17- 3
*	17- 8
*	18- 4
*	18- 6
*	18- 9
*	18-16
*	20-45
*	21-26
*	21-30
*	22-16
*	23-59
*	24- 4
*	25- 4
*	25- 8
*	25-10
*	26-14
*	27-12
*	27-31

PARTS NAME INDEX

DESCRIPTION	REF. NO.
BOLT	27-40
*	28-28
*	29-17
*	29-22
*	31- 5
*	31-13
BOLT, caP	23-24
*	23-52
*	34-24
*	34-52
BOLT, flange	1-15
*	5-13
*	17- 6
*	17-11
*	17-15
*	17-22
*	20-16
*	20-20
*	22-23
*	22-24
*	29-21
BOLT, hexagon socket head	23-28
*	23-56
*	23-57
*	27-21
*	34-28
*	34-56
*	34-57
*	34-59
BOLT, stopPer	15- 9
BOLT, stud	1- 3
*	1- 9
*	1-10
BOLT, washer based	29-20
BOLT, with hole	27-41
BOLT, with washer	24- 9
BOOT	23-20
*	23-48
*	34-20
*	34-48
BOSS, clutch	13- 6
BOSS, kick crank	12-12
BOSS, lever	1-24
BRACKET, footrest 2	29-16
BRACKET, front uPPer 1	17- 2
BRACKET, rear uPPer 1	17- 7
BRACKET, seat	24-26

PARTS NAME INDEX

DESCRIPTION	REF. NO.
BRACKET, seat	25- 3
*	25- 7
BRAKE SHOE COMP.	26- 8
*	27- 8
BUMP, stoP	21- 9
*	33- 9
BUSH	17-20
*	20- 3
*	20-24
BUSH 1	20-38
BUSH, bimetal formed	20-39
*	21-13
*	33-13
BUSH, rear shock absorber	21- 3
*	33- 3
BUSH, shock absorber lower	21-12
*	33-12
BUSH, solid	2-18
*	5- 5
*	20- 8
*	20-49
*	21-36
*	27-28
C.D.I. MAGNETO ASSY	4- 1
C.D.I. UNIT ASSY	30- 1
CABLE, brake	28-19
CABLE, clutch	28-17
CABLE, throttle 1	28-15
CAMSHAFT	28-10
*	27-10
CAP, case	21- 7
*	33- 7
CAP, cleaner case 1	7-18
CAP, gear	28-10
CAP, grip lower	28- 8
CAP, grip upper	28- 7
CAP, radiator	6- 2
CAP, rubber	28-16
CARBURETOR ASSY 1	8- 1
*	32- 1
CHAIN, drive (D1D520DS 110L)	27-35
CHAIN, drive (D1D520DS 112L)	27-35
CIRCLIP	3- 4
*	5- 7
*	12- 9
*	12-16
*	14- 5
*	14-12

PARTS NAME INDEX

DESCRIPTION	REF. NO.
CIRCLIP	14-17
*	21-20
*	21-25
*	22- 5
*	29- 3
*	33-20
*	33-25
*	36- 5
*	36-10
*	36-15
*	36-20
*	36-25
CLAMP	28-25
*	30- 8
CLAMP, hose	6-10
*	6-11
*	7- 8
*	7-10
CLIP	6- 4
*	7-13
*	12- 3
*	24-19
COIL, charge	4- 4
COLLAR	1-23
*	2-17
*	2-23
*	6-13
*	9-11
*	10-13
*	13- 2
*	14-24
*	17-21
*	20-11
*	20-25
*	24- 7
*	26-30
*	27-13
*	27-25
*	27-44
CONNECTING ROD ASSY	36-26
CONNECTOR, suction Pipe	10- 8
COVER	21-17
*	33-17
COVER, ball race 2	22-12
COVER, crankcase 1	11- 1
COVER, crankcase 2	11- 5
COVER, crankcase 3	11-11
COVER, dust	20-42

PARTS NAME INDEX

DESCRIPTION	REF. NO.
COVER, handle lever 1	28-18
*	28-20
COVER, housing	5- 9
COVER, hub dust	26-31
*	27-24
COVER, kick lever	12-17
COVER, Plate	27-26
COVER, semi-double seat	25- 2
COVER, shift Pedal	16- 6
COVER, side 1	19- 1
COVER, side 2	19- 7
COVER, thrust 1	20-26
COVER, thrust 2	20- 7
*	21-37
CRANK 1	3- 7
CRANK 2	3- 8
CRANKCASE 1	10- 1
CRANKCASE 2	10-11
CRANKSHAFT ASSY	3- 6
CROWN, handle	22-18
CYLINDER	22- 8
CYLINDER COMP., front fork	23-10
*	23-38
*	34-10
*	34-38
CYLINDER 1	1- 6
DAMPER 1	20-56
DAMPER, locating 1	19- 6
*	24-23
DAMPER, locating 2	24- 2
DAMPER, locating 3	24-24
DAMPER, locating 4	24-29
DAMPER, muffler	9-10
DAMPER, seat	25- 6
DAMPER, sub tank	21-39
DUMPER SUB ASSY	21- 2
*	33- 2
ELEMENT, air cleaner	7-15
EMBLEM	19-11
*	22-34
EMBLEM, rear arm	20-55
END, rod 1	26-17
END, rod 2	26-18
EXHAUST PIPE ASSY 1	9- 1
FENDER, front	18- 1
FENDER, rear	18- 8
FLANGE, sPacer	27- 3
FLANGE, sPacer 2	26- 3

PARTS NAME INDEX

DESCRIPTION	REF. NO.
FLAP	18-13
FLOAT	8- 6
*	32- 6
FOOTREST 1	29-14
FOOTREST 2	29-15
FORK, Governor	2- 7
FORK, shift 1	15-10
FORK, shift 2	15-11
FORK, shift 3	15-12
FRAME COMP	17- 1
FRONT FORK ASSY (L.H)	23- 1
*	34- 1
FRONT FORK ASSY (R.H)	23-29
*	34-29
FUEL COCK ASSY 1	24-12
FUEL TANK COMP.	24- 1
GASKET	1-16
*	5-12
*	10-21
*	10-23
*	23-17
*	23-45
*	24-13
*	28-13
*	34-17
*	34-45
*	36-41
GASKET KIT	36-32
GASKET, cap	24-21
GASKET, crankcase cover	11- 2
*	36-38
GASKET, crankcase cover 3	11-12
*	36-39
GASKET, cylinder	1- 8
*	36-33
GASKET, drain Plug	23-18
*	23-46
*	34-18
*	34-46
GASKET, exhaust Pipe	9- 2
*	36-37
GASKET, float chamber	8- 2
*	32- 2
GASKET, holder	1-19
GASKET, housing cover 2	5-10
GASKET, valve seat	7- 6
*	36-36
GAUGE, air	17-27

PARTS NAME INDEX

DESCRIPTION	REF. NO.
GEAR, bevel	28- 9
GEAR, Governor (29T)	2-11
GEAR, imPeller shaft (31T)	5- 1
GEAR, kick (26T)	12- 2
GEAR, sprocket idle (21T)	12- 7
GEAR, 1st wheel (30T)	14-14
GEAR, 2nd Pinion (16T)	14- 8
GEAR, 2nd wheel (29T)	14-21
GEAR, 3rd Pinion (17T)	14- 4
GEAR, 3rd wheel (24T)	14-16
GEAR, 4th Pinion (21T)	14- 3
GEAR, 4th wheel (24T)	14-15
GEAR, 5th Pinion (23T)	14- 7
GEAR, 5th wheel (22T)	14-19
GRAPHIC SET	24-25
GRIP (L.H)	28- 2
GRIP (R.H)	28- 3
GROMMET	6-12
*	7-31
*	21-38
*	28- 6
GUARD, mud	18-12
GUIDE	7-16
GUIDE, cable	22- 2
GUIDE, spring	12- 6
GUIDE, spring 1	21-23
*	33-23
GUIDE, spring 2	21-21
*	33-21
HANDLEBAR	28- 1
HEAD, cylinder 1	1- 1
HOLDER	10-10
*	10-16
HOLDER 1	1-17
HOLDER 2	1-20
HOLDER, cable	22-36
HOLDER, damper	24- 3
HOLDER, guide	7-17
HOLDER, handle upper	22-22
HOLDER, lever lower 1	31- 2
*	31-10
HOLDER, lever 1	31- 1
HOLDER, lever 2	31- 9
HOLDER, sub tank	21-40
HOOK	7-24
HOSE	6- 3
*	10- 9

PARTS NAME INDEX

DESCRIPTION	REF. NO.
HOSE	16- 7
*	24-18
*	24-22
HOUSING 2	1-29
HOUSING, seal ring	21- 6
*	33- 6
HUB, front	26- 1
HUB, rear	27- 1
IGNITION COIL ASSY	30- 5
IMPELLER SHAFT ASSY	5- 2
INNER TUBE COMP.1	23- 8
*	23-36
*	34- 8
*	34-36
JET, main (#360)	8- 5
JET, main (#370)	8- 5
JET, main (#380)	8- 5
*	32- 5
JET, main (#390)	32- 5
JET, main (#400)	32- 5
JET, Pilot (#45.0)	8- 3
*	32- 3
JOINT	22-14
JOINT, carburetor	7- 7
JOINT, chain	27-36
KEY, straight	15- 5
KEY, woodruff	3-15
KICK AXLE ASSY	12- 1
KICK CRANK ASSY	12-11
LEVER	2- 1
LEVER 1	31- 3
LEVER 2	31-11
LEVER, camshaft	27-11
LEVER, camshaft 1	26-11
LEVER, camshaft 2	26-12
METAL, slide 1	23- 5
*	23-33
*	34- 5
*	34-33
NEEDLE SET (6F16)	8-23
*	32-23
NEEDLE VALVE ASSY	8- 7
*	32- 7
NIPPLE, grease	20-41
*	20-46
*	21-31
NOZZLE, main	8- 4
*	32- 4

PARTS NAME INDEX

DESCRIPTION	REF. NO.
NUT	1-12
*	2- 2
*	4-11
*	12-18
*	13- 4
*	13-16
*	13-22
*	14-27
*	20-13
*	20-30
*	21-19
*	21-27
*	22-13
*	22-21
*	23-61
*	26-16
*	27-32
*	28-21
*	29-23
*	33-19
*	34-61
NUT, adjusting	21-14
*	33-14
NUT, crown	1- 4
NUT, self-locking	17-17
*	20-47
*	21-32
*	27-22
*	27-34
NUT, u	2- 5
*	6-17
*	17-13
*	18-19
*	20-18
*	25-12
*	27-42
*	29-18
*	31- 6
*	31-14
NUT, wing	7-14
*	29-13
O-RING	1-13
*	1-14
*	1-22
*	1-25
*	8-22
*	11-17
*	22- 9
*	22-15
*	22-20
*	23-12

PARTS NAME INDEX

DESCRIPTION	REF. NO.
O-RING	23-26
*	23-27
*	23-40
*	23-54
*	23-55
*	24-14
*	27-27
*	27-45
*	32-22
*	34-12
*	34-26
*	34-27
*	34-40
*	34-54
*	34-55
*	36-34
*	36-35
*	36-40
OIL SEAL	1-21
*	2- 6
*	3-14
*	3-17
*	5- 4
*	12-10
*	13-25
*	14-23
*	16-11
*	20- 4
*	20- 6
*	20-28
*	20-37
*	22-10
*	22-11
*	23- 4
*	23-32
*	26- 6
*	27- 6
*	27-39
*	29- 4
*	34- 4
*	34-32
PACKING	28-14
PAD, seat	25- 5
PANEL 1	7-20
PEDAL, brake	29- 2
PEDAL, shift	16- 2
*	16- 3

PARTS NAME INDEX

DESCRIPTION	REF. NO.
PIN	16- 5
*	20-40
*	29-12
PIN, clevis	26-19
*	28-22
*	29- 8
PIN, cotter	20-44
*	20-50
*	21-29
*	21-35
*	26-21
*	27-43
*	28-24
*	29-10
PIN, crank 1	3- 9
*	36-28
PIN, dowel	1-11
*	2-22
*	5- 8
*	5-11
*	10-12
*	15-13
*	16-10
*	21-16
*	33-16
PIN, float	8- 8
*	32- 8
PIN, piston	3- 3
*	36- 4
*	36- 9
*	36-14
*	36-19
*	36-24
PIPE	8-10
*	8-13
*	32-10
*	32-13
PIPE 1	6- 5
PIPE 2	6- 6
PIPE 3	6- 7
PIPE 4	6- 8
*	6- 9
PISTON (STD)	3- 1
*	3- 1
*	36- 2
*	36- 2
PISTON (1ST O/S 0.25MM)	3- 1
*	36- 7

PARTS NAME INDEX

DESCRIPTION	REF. NO.
PISTON (2ND O/S 0.50MM)	3- 1
*	36-12
PISTON (3RD O/S 0.75MM)	3- 1
*	36-17
PISTON (4TH O/S 1.00MM)	3- 1
*	36-22
PISTON ASSY (STD)	36- 1
PISTON ASSY (1ST O/S)	36- 6
PISTON ASSY (2ND O/S)	36-11
PISTON ASSY (3RD O/S)	36-16
PISTON ASSY (4TH O/S)	36-21
PISTON RING SET (STD)	3- 2
*	36- 3
PISTON RING SET (1ST O/S)	3- 2
*	36- 8
PISTON RING SET (2ND O/S)	3- 2
*	36-13
PISTON RING SET (3RD O/S)	3- 2
*	36-18
PISTON RING SET (4TH O/S)	3- 2
*	36-23
PISTON, front fork	23- 9
*	23-37
*	34- 9
*	34-37
PLATE	2-13
*	2-15
*	8-19
*	10-18
*	11- 9
*	22-35
*	32-19
*	18-15
PLATE, bearing cover	10- 6
*	10-14
PLATE, brake shoe	26- 7
*	27- 7
PLATE, clutch 2	13- 8
PLATE, friction	13- 9
PLATE, number	22-25
PLATE, Pressure 1	13- 7
PLATE, side 1	15- 3
PLATE, thrust 1	1-26
*	13-12
*	13-14
PLUG	17-18
*	17-23
PLUG CAP ASSY	30- 9
*	30- 9

PARTS NAME INDEX

DESCRIPTION	REF. NO.
PLUG, drain	23-19
*	23-47
*	34-19
*	34-47
PLUG, oil level	11-16
PLUG, screw	8-21
*	32-21
PLUG, sPark (CHAMPION N-86)	1- 2
PLUG, straight screw	10-20
PRI. DRIVEN GEAR COMP.(63T)	13- 5
PRIMARY GEAR ASSY (24T,29T)	13- 1
PROTECTOR	20-51
*	22-26
PROTECTOR, chain	20-19
PULLER, chain 1	27-30
PULLER, chain 2	27-29
PULLER, rotor	17-25
PUSH LEVER ASSY	13-28
PUSH ROD ASSY	2- 3
RADIATOR ASSY	6- 1
REAR ARM COMP.	20- 1
REED VALVE ASSY	7- 1
REED, valve	7- 2
RETAINER	2-20
RETAINER, weight	2-19
RIM (1.60-21)	26-23
RIM (2.15-18)	27-14
RING, leaf	28- 5
RING, snap	23- 3
*	23-31
*	34- 3
*	34-31
ROD, brake	29- 7
ROD, connecting	3-10
*	26-15
*	36-27
ROD, connecting 1	20-35
ROD, Push	21- 8
*	33- 8
ROD, Push 1	13-17
ROD, Push 2	13-23
ROTOR ASSY	4- 2
SCREW	13-19
*	24-17
SCREW, bind	24-10
*	28-11
SCREW, boot band	23-22
*	23-50

PARTS NAME INDEX

DESCRIPTION	REF. NO.
SCREW, boot band	34-22
*	34-50
SCREW, flat head	10- 7
*	15- 6
SCREW, lever fitting	24-15
SCREW, Pan head	1-18
*	1-27
*	1-30
*	4- 5
*	4- 8
*	5-14
*	7- 4
*	7-26
*	8-11
*	10-15
*	10-17
*	10-19
*	10-22
*	11- 3
*	11- 4
*	11- 6
*	11-10
*	11-13
*	11-14
*	11-15
*	19- 3
*	19- 8
*	20-52
*	21- 4
*	21-41
*	22-32
*	24-27
*	28-12
*	28-26
*	30- 6
*	31- 7
*	31-15
*	32-11
*	33- 4
SCREW, tapping	7-19
*	7-23
*	22-27
SCREW, with washer	13-11
SEAL	7-22
*	7-21
SEAL 1	7-21
SEAL, camshaft	26-13
SEAL, dust	21- 5

PARTS NAME INDEX

DESCRIPTION	REF. NO.
SEAL, dust	23- 6
*	23-34
*	33- 5
*	34- 6
*	34-34
SEAL, Guard	20-10
*	20-33
*	20-34
SEAL, housing	1-31
SEAL, mud Guard	18-14
SEAL, steering	22- 4
SEAT, sPring	8-24
*	32-24
SEAT, sPring lower	21-24
*	33-24
SEAT, sPring uPper	21-18
*	23-15
*	23-43
*	33-18
*	34-15
*	34-43
SEGMENT	15- 2
SEMI-DOUBLE SEAT ASSY	25- 1
SETTER, needle jet	8-20
*	32-20
SHAFT, Governor	2-12
SHAFT, Pivot	20-12
*	20-29
SHIFT CAM ASSY	15- 1
SHIFT SHAFT ASSY	16- 1
SHIM (O.3T)	20- 9
SHOCK ABSORBER ASSY, rear	21- 1
*	33- 1
SILENCER, exhaust	9- 9
*	9- 9
*	9- 9
SPACER	16-12
*	23-16
*	23-44
*	26- 2
*	34-16
*	34-44
*	35- 3
SPACER 1	13-13
SPACER, bead	26-28
*	27-19
SPACER, bearing	27- 2
SPANNER, sPecial	17-26
SPINDLE, taPer	23-13
*	23-41

PARTS NAME INDEX

DESCRIPTION	REF. NO.
SPINDLE, taPer	34-13
*	34-41
SPOKE SET, front	26-24
SPOKE SET, rear	27-15
SPRING	21-22
*	33-22
*	35- 1
*	35- 1
*	35- 1
*	35- 1
*	35- 1
SPRING, compResion	2-14
*	12-14
*	13-10
*	29-11
SPRING, front fork	23-14
*	23-42
*	34-14
*	34-42
*	35- 2
*	35- 2
SPRING, sub	23-11
*	23-39
*	34-11
*	34-39
SPRING, tension	9- 3
*	26- 9
*	27- 9
*	29- 6
SPRING, throttle valve	8-14
*	32-14
SPRING, torsion	12- 5
*	13-27
*	15- 8
*	16- 4
*	16-13
*	26-22
*	29-19
SPROCKET, drive (13T)	14-25
SPROCKET, drive (14T)	14-25
SPROCKET, drive (15T)	14-25
SPROCKET, driven (44T)	27-20
SPROCKET, driven (45T)	27-20
SPROCKET, driven (46T)	27-20
SPROCKET, driven (48T)	27-20
SPROCKET, driven (50T)	27-20
SPROCKET, driven (52T)	27-20
STAND, side	29- 1
STARTER PLUNGER SET	8-25

PARTS NAME INDEX

DESCRIPTION	REF. NO.
STARTER PLUNGER SET	32-25
STATOR ASSY	4- 3
STAY	22- 1
STAY 2	7-28
*	22- 3
STAY, muffler 1	9-14
STAY, muffler 2	9- 4
STAY, Plate	22-29
*	22-30
STOPPER LEVER ASSY	15- 7
STOPPER, reed valve	7- 3
SUPPORT, bumP stoP	21-10
*	33-10
SUPPORT, chain	20-15
SWITCH, handle 1	31-17
TENSIONER	17-19
THROTTLE SCREW SET	8-17
*	32-17
TIRE (3.00-21)	26-25
*	26-25
TIRE (5.10-18)	27-16
*	27-16
TOOL KIT	17-24
TUBE (2.75-21)	26-26
TUBE (3.00-21)	26-26
TUBE (4.50-18)	27-17
TUBE (5.10-18)	27-17
TUBE, outer 1	23- 2
*	34- 2
TUBE, outer 2	23-30
*	34-30
TUBE, throttle Guide	28- 4
UNDER BRACKET COMP.	23-58
*	34-58
UPPER BRACKET SUB ASSY	21-11
*	33-11
VALVE 1	1- 7
VALVE, throttie 1	8-18
*	32-18
WASHER	3-12
*	14-18
*	18- 3
*	19- 2
*	21-43
*	22-28
*	25-11
*	36-30

PARTS NAME INDEX

DESCRIPTION	REF. NO.
WASHER, lock	13-15
*	14-26
*	20-43
WASHER, main jet	8-26
*	32-26
WASHER, needle valve	8-9
*	32-9
WASHER, oil seal	23-7
*	23-35
*	34-7
*	34-35
WASHER, Plain	6-18
*	7-25
*	9-5
*	17-16
*	20-54
*	26-20
*	28-23
*	29-9
WASHER, Plate	1-5
*	2-4
*	2-16
*	4-7
*	4-10
*	5-6
*	6-14
*	6-16
*	9-8
*	9-12
*	9-18
*	11-8
*	12-4
*	12-8
*	12-15
*	13-21
*	13-26
*	14-6
*	14-13
*	14-20
*	16-8
*	17-5
*	17-10
*	17-12
*	18-2
*	18-11
*	18-18
*	19-5
*	19-10
*	20-14

PARTS NAME INDEX

DESCRIPTION	REF. NO.
WASHER, Plate	20-17
*	20-21
*	20-27
*	20-31
*	20-48
*	21-28
*	21-33
*	21-34
*	22-17
*	22-19
*	22-31
*	23-62
*	24-6
*	24-8
*	24-16
*	27-23
*	27-46
*	29-5
*	31-4
*	31-12
*	34-62
WASHER, sPring	1-28
*	4-6
*	4-9
*	7-5
*	7-27
*	7-30
*	7-33
*	8-12
*	9-7
*	9-17
*	11-7
*	13-3
*	13-20
*	17-4
*	17-9
*	17-14
*	18-5
*	18-7
*	18-10
*	18-17
*	19-4
*	19-9
*	20-53
*	21-42
*	22-33
*	23-60
*	24-5
*	24-28
*	25-9
*	25-13
*	28-27
*	30-7

PARTS NAME INDEX

DESCRIPTION	REF. NO.
WASHER, sPring	31-8
*	31-16
*	32-12
*	34-60
WASHER, sPring lower	20-32
WASHER, wave	21-15
*	33-15
WIRE, earth lead	30-10