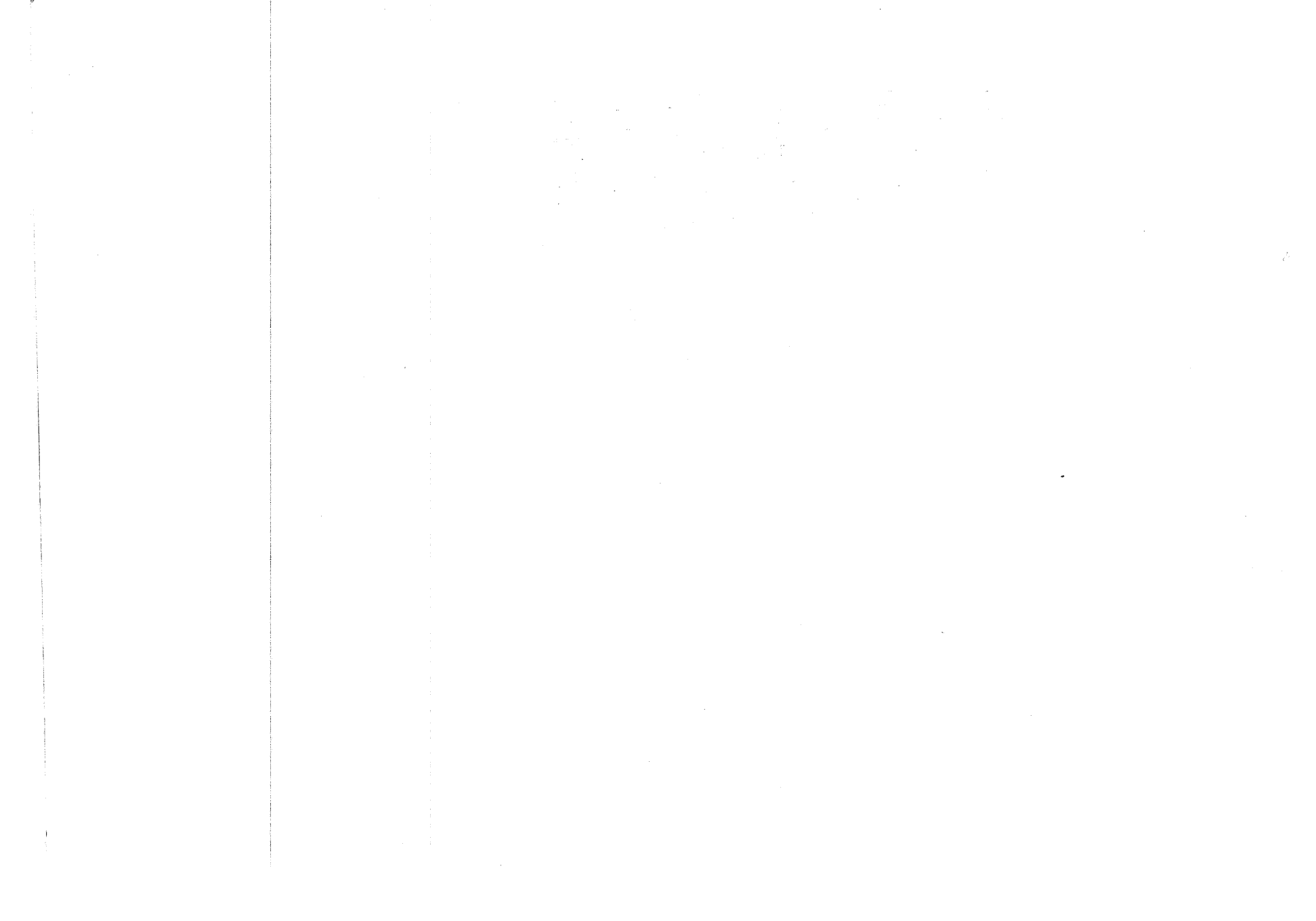


YAMAHA

PARTS CATALOGUE

YZ80H (4V1)

114V1-300E1



FOREWORD

This Parts Catalogue is related to the parts in use for the Yamaha YZ 80H (4V1).
When you are ordering replacement parts for the YZ 80H (4V1), refer to this Parts Catalogue and quote both part numbers and part names correctly.

1. Modifications or additions which have been made after issue of the Parts Catalogue will be announced in the Yamaha Parts News.
It is advisable that according to the Yamaha Parts News you make necessary corrections to the Parts Catalogue on hand to keep it up-to-date.

2. Abbreviations

The following abbreviations are used in this Parts Catalogue.

- U.R. Use size (thickness) and/or number as required.
- U.N. Use as many as you need.
- A.P. Alternate Parts
- L.M. Local Made
- F# Frame No. (Applicable machine No.)

3. The parts marked with (*) in the parts number column of this Catalogue are not supplied with by Yamaha, those have to be found locally.
4. Parts, which are to be supplied in the form of assemblies, are listed with an indentation of one letter's space, and a dot (.) is put against the name of each part.

EXAMPLE CARBURETOR ASS'Y
 . JET, pilot
 . NOZZLE, main

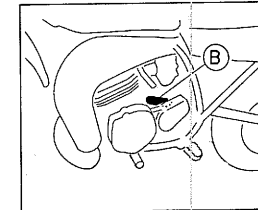
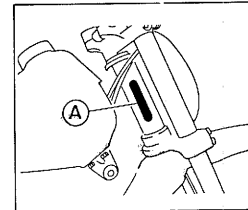
5. Indication of No. of constituent parts for assembly
The numeral appearing to the right of each constituent part under the description indicates the quantity of such parts for each individual assembly unit.

EXAMPLE

Part No.	Description	Q'ty	Remarks
2F5-83310-60	FRONT FLASHER LIGHT ASS'Y	2	
115-83311-60	. BULB (6V-18W)	1	
1M1-83309-60	. REFLECTOR	1	

6. Initial Serial No. and Color Code

(A) Frame Serial No.	4V1-000101 and following
(B) Engine Serial No.	4V1-000101 and following



Color Code	Color Name	Abbreviate
	Clean White	

7. Applicable colors of graphics are represented in the "Remarks" column by the letter(s) appropriately picked out of the full word(s) showing such colors.

EXAMPLE

Part No.	Description	Q'ty	Remarks
2N4-24110-00-X5	FUEL TANK COMP.	1	MAXIM RED
3J1-24240-10	. GRAPHIC, fuel tank set	1	for MXR

CONTENTS

ENGINE

Fig. 1	Cylinder	1
Fig. 2	Crankshaft · Piston	2
Fig. 3	C.D.I Magneto	3
Fig. 4	Intake	4
Fig. 5	Carburetor	5
Fig. 6	Exhaust	7
Fig. 7	Crankcase	8
Fig. 8	Crankcase Cover	9
Fig. 9	Kick Starter	10
Fig. 10	Clutch	11
Fig. 11	Transmission	12
Fig. 12	Shift Cam · Fork	13
Fig. 13	Shift Shaft · Pedal	14

CHASSIS

Fig. 14	Frame · Tool	15
Fig. 15	Front Fender · Rear Fender	16
Fig. 16	Side Cover	17
Fig. 17	Rear Arm	18
Fig. 18	Rear Suspension	19
Fig. 19	Steering	20
Fig. 20	Front Fork	21
Fig. 21	Fuel Tank	22
Fig. 22	Seat	23
Fig. 23	Front Wheel	24
Fig. 24	Rear Wheel	25
Fig. 25	Handlebar · Cable	27
Fig. 26	Stand · Footrest	28
Fig. 27	Electrical 1	29
Fig. 28	Handle Switch · Lever	30

ALTERNATE PARTS

Fig. 29	Alternate (Chassis)	31
---------	---------------------	----

REPAIR KIT

Fig. 30	Repair Kit	32
---------	------------	----

FOR SWEDEN

Fig. 31	Carburetor	34
---------	------------	----

INDEX

Numerical Index
Parts Name Index

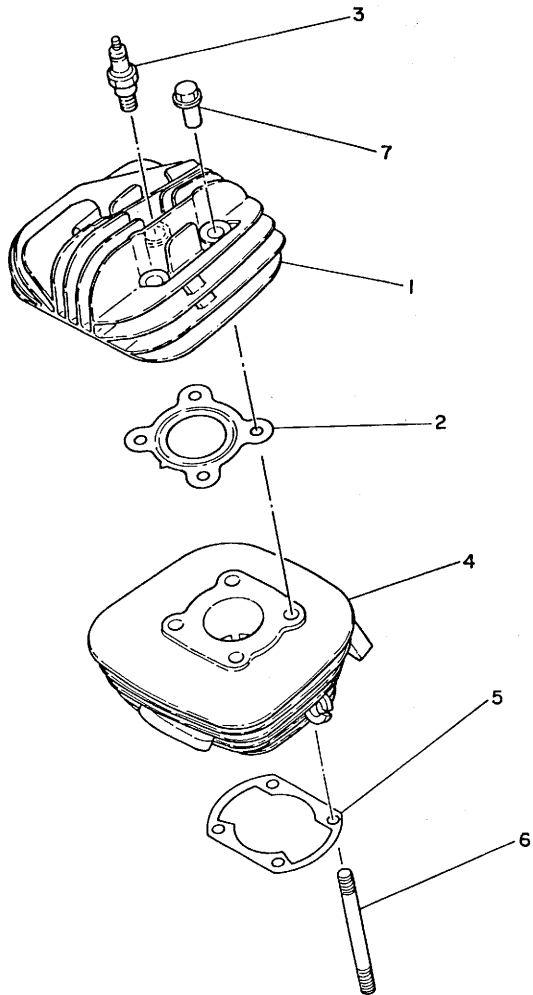
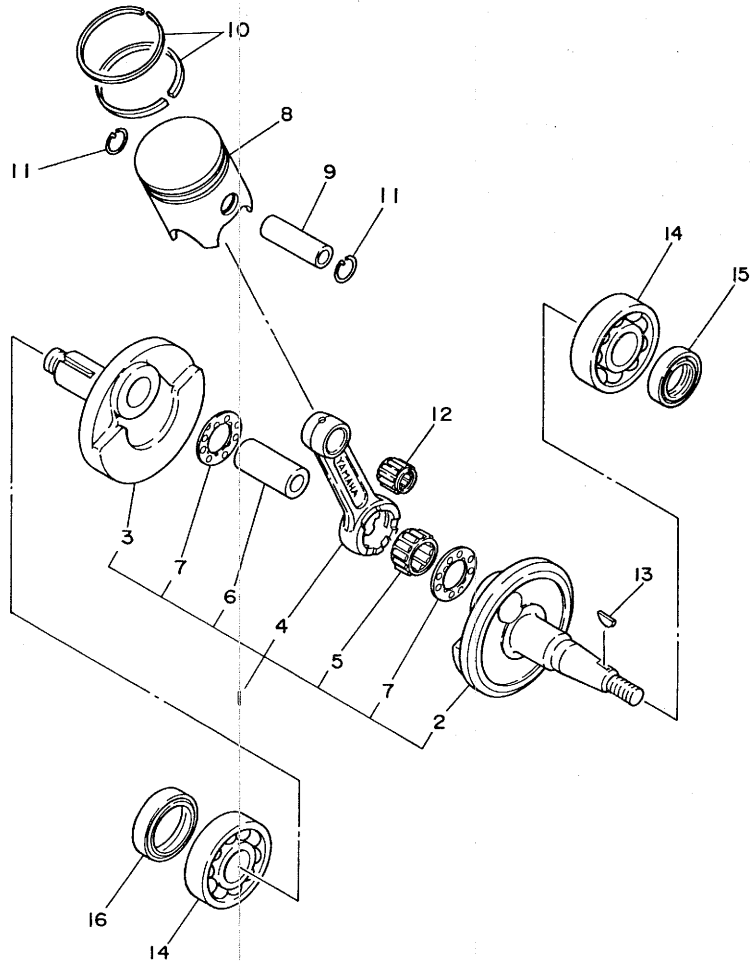


FIG. 1 CYLINDER

REF. NO.	PART NO.	DESCRIPTION	Q'TY	REMARKS
1	4V1-11111-00	HEAD, cylinder 1	1	
2	4V1-11181-00	GASKET, cylinder head 1	1	
3	*	PLUG, sPark (CHAMPION N2)	1	LM
4	4V1-11311-00	CYLINDER 1	1	
5	4V0-11351-00	GASKET, cylinder	1	
6	90116-08232	BOLT, stud	4	
7	90179-08320	NUT	4	



FIG. 2 CRANKSHAFT.PISTON



REF. NO.	PART NO.	DESCRIPTION	Q'TY	REMARKS
1	4V0-11400-01	CRANKSHAFT ASSY	1	
2	4V0-11412-00	.CRANK 1	1	
3	4V0-11422-00	.CRANK 2	1	
4	4V0-11651-02	.ROD, connecting	1	
5	93310-418U1	.BEARING, cylindrical	1	
6	4V0-11681-00	.PIN, crank 1	1	
7	90209-18112	.WASHER	2	
8	4V1-11631-00-95	PISTON (STD)	1	UR
	4V1-11631-00-97	PISTON (STD)	1	UR
	4V1-11635-00	PISTON (1ST O/S 0.25MM)	1	AP
	4V1-11636-00	PISTON (2ND O/S 0.50MM)	1	AP
	4V1-11637-00	PISTON (3RD O/S 0.75MM)	1	AP
	4V1-11638-00	PISTON (4TH O/S 1.00MM)	1	AP
9	4V1-11633-00	PIN, Piston	1	
10	4V1-11601-01	PISTON RING SET (STD)	1	
	4V1-11601-11	PISTON RING SET (1ST O/S)	1	AP
	4V1-11601-21	PISTON RING SET (2ND O/S)	1	AP
	4V1-11601-31	PISTON RING SET (3RD O/S)	1	AP
	4V1-11601-41	PISTON RING SET (4TH O/S)	1	AP
11	93450-13022	CIRCLIP	2	
12	93310-212H4	BEARING, cylindrical	1	
13	90280-03017	KEY, woodruff	1	
14	93306-20418	BEARING (B6204CS)	2	
15	93102-20231	OIL SEAL	1	
16	93103-28100	OIL SEAL	1	

FWD

B3

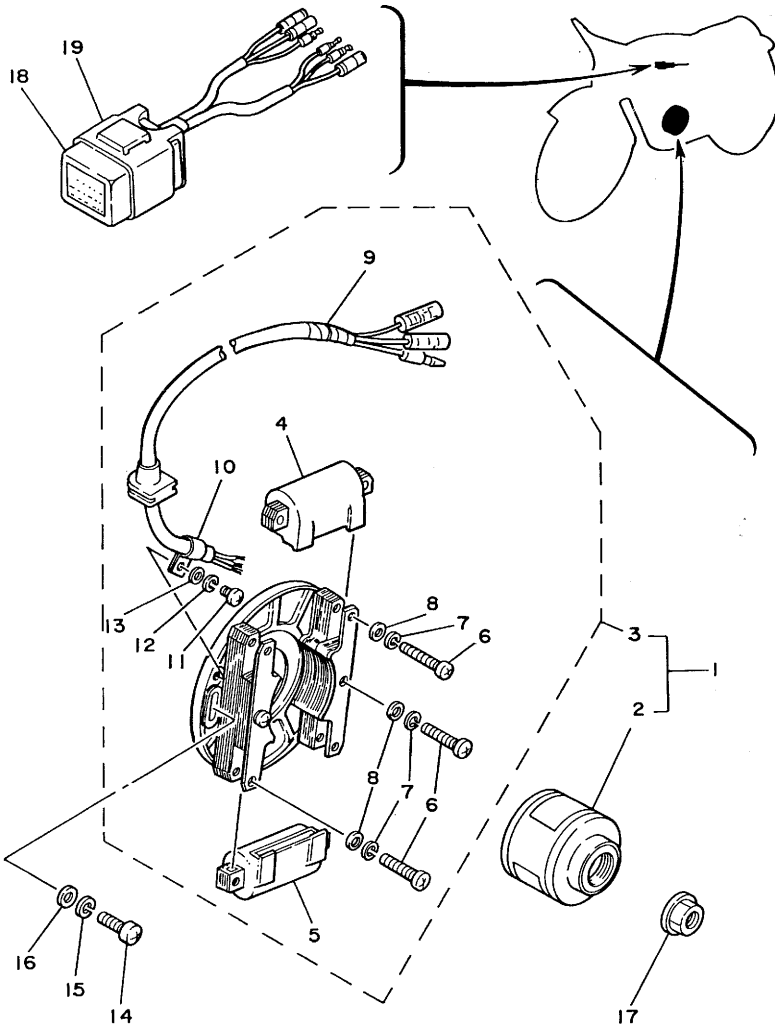
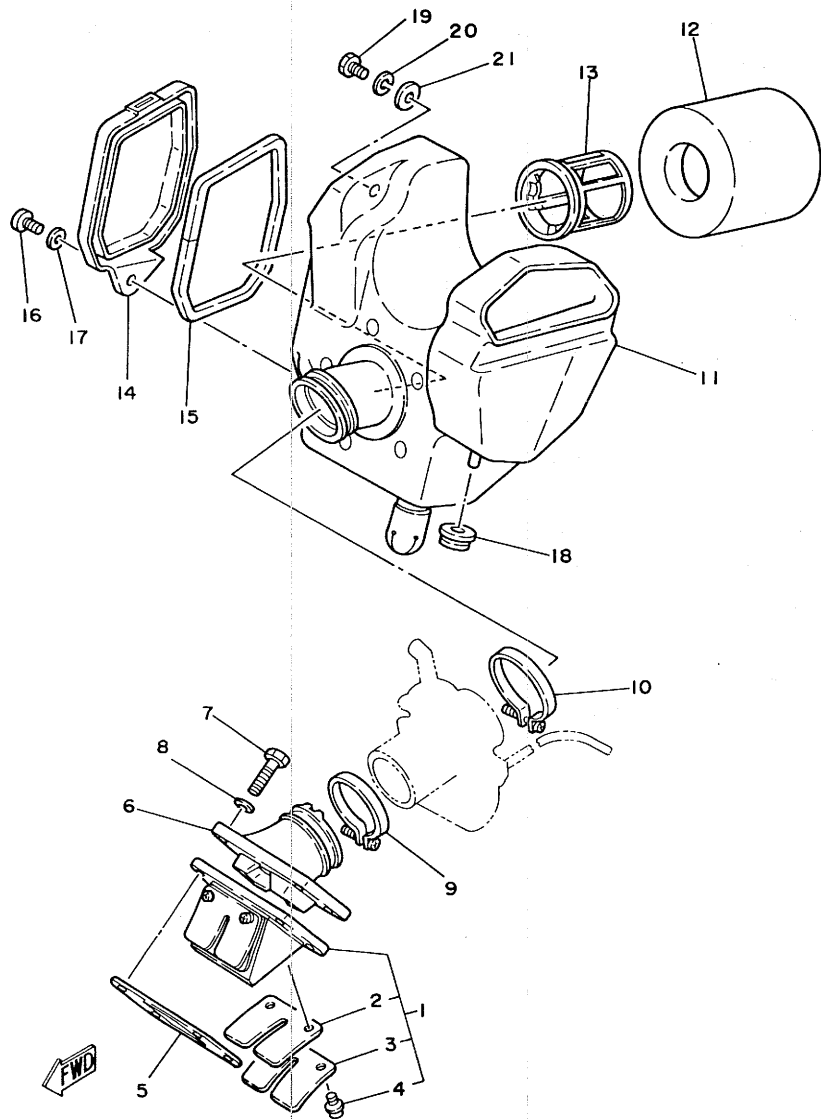


FIG. 3 C.D.I MAGNETO

REF. NO.	PART NO.	DESCRIPTION	Q'TY	REMARKS
1	4V1-85500-10 11	C.D.I. MAGNETO ASSY	1	
2	4V1-85550-10	•ROTOR ASSY	1	
3	4V1-85510-10 11	•STATOR ASSY	1	INCLUDES FIGS-4,5 AND 9
3-1	4V1-85520-11	•CHARGE COIL ASSY	1	
4	REFER FIG 3-1 CHARGE COIL ASSY	•COIL, charge 1	1	
5	REFER FIG 3-1 CHARGE COIL ASSY	•COIL, charge 2	1	
6	98502-05030	•SCREW, Pan head	6	
7	92901-05100	•WASHER, sPring	6	
8	92901-05600	•WASHER, Plate	6	
9	REFER FIG 3-1 CHARGE COIL ASSY	•LEAD WIRE ASSY	1	
10	109-81328-11	•CLAMP	1	
11	98501-04008	•SCREW, Pan head	1	
12	92901-04100	•WASHER, sPring	1	
13	92901-04600	•WASHER, Plate	1	
14	92501-06020	SCREW, Pan head	2	
15	92901-06100	WASHER, sPring	2	
16	92901-06600	WASHER, Plate	2	
17	90179-10257	NUT	1	
18	2X6-85540-10	C.D.I. UNIT ASSY	1	
19	3R1-85546-00	BAND	1	

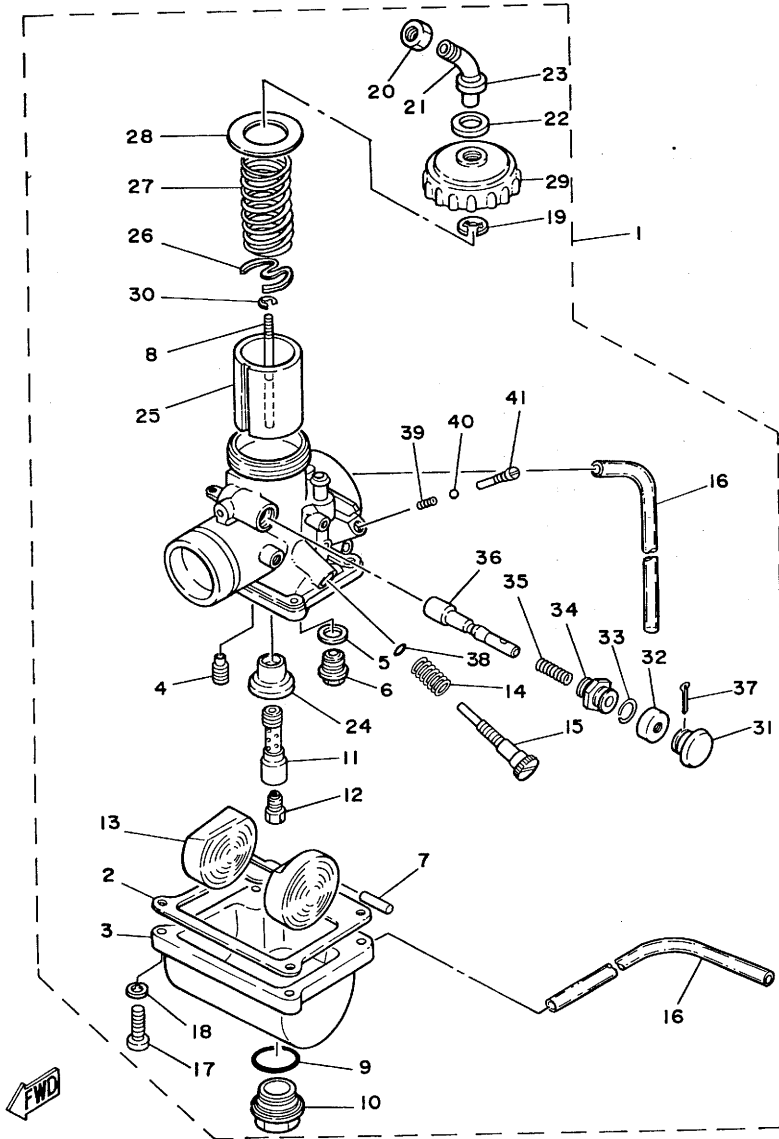
FIG. 4 INTAKE



REF. NO.	PART NO.	DESCRIPTION	Q'TY	REMARKS
1	1L8-13610-00	REED VALVE ASSY	1	
2	1L8-13613-00	•REED, valve	2	
3	311-13616-01	•STOPPER, reed valve	2	
4	97602-03108	•SCREW, Pan head with washer	4	
5	311-13621-01	GASKET, valve seat	1	
6	3R1-13565-01	JOINT, carburetor	1	
7	97301-06025	BOLT	4	
8	92901-06600	WASHER, Plate	4	
9	90460-43053	CLAMP, hose	1	
10	90460-51059	CLAMP, hose	1	
11	4V1-14401-00	AIR CLEANER CASE ASSY	1	
12	4V1-14451-00	ELEMENT, air cleaner	1	
13	4V1-14458-00	GUIDE	1	
14	4V1-14412-00	CAP, cleaner case 1	1	
15	4V1-14452-00	SEAL	1	
16	92501-06015	SCREW, Pan head	1	
17	92901-06600	WASHER, Plate	1	
18	90480-13197	GROMMET	1	
19	97301-06012	BOLT	2	
20	92901-06100	WASHER, sPring	2	
21	90201-06067	WASHER, Plate	1	

B5

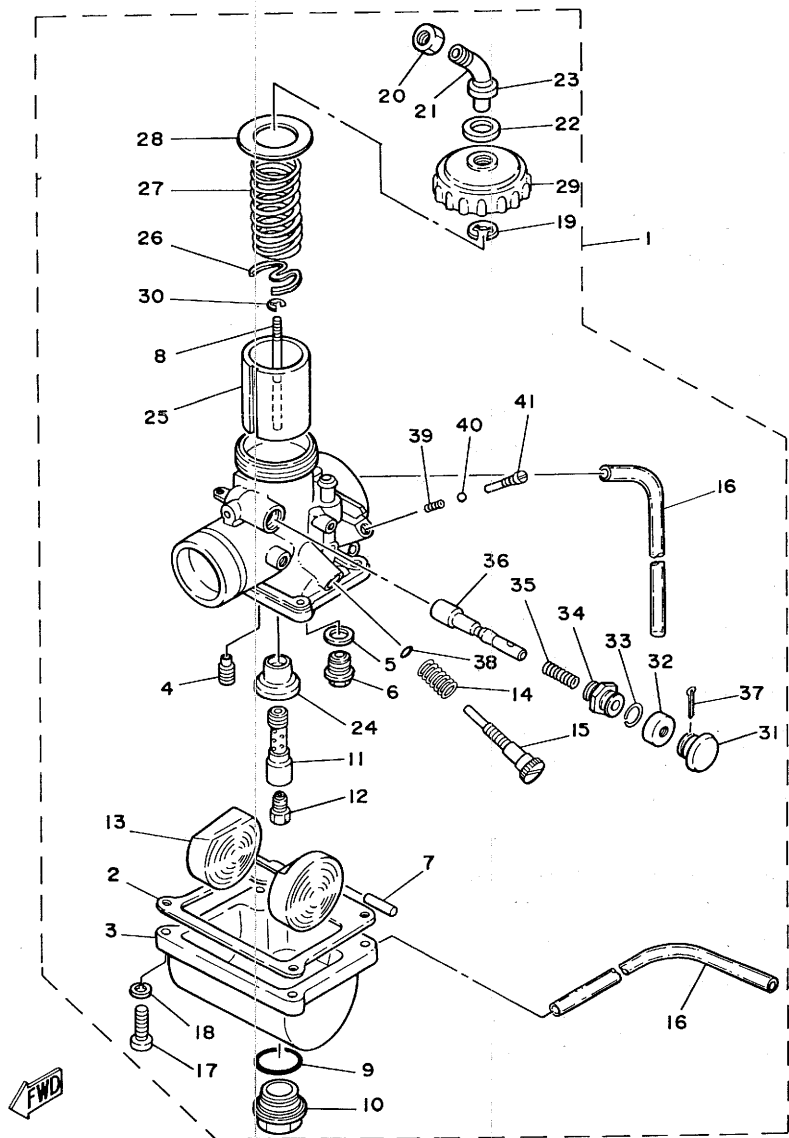
FIG. 5 CARBURETOR



REF. NO.	PART NO.	DESCRIPTION	Q'TY	REMARKS
1	4V1-14101-00	CARBURETOR ASSY 1	1	
2	304-14184-00	•GASKET, float chamber	1	
3	539-14181-08	•BODY, float chamber 1	1	
4	260-14142-35	•JET, Pilot (#35.0)	1	
5	214-14195-00	•WASHER, needle valve	1	
6	168-14190-25	•NEEDLE VALVE ASSY	1	
7	127-14186-00	•PIN, float	1	
8	1J7-14116-16	•NEEDLE	1	
9	93210-18288	•O-RING	1	
10	3R1-14115-00	•PLUG, screw	1	
11	3R1-14141-30	•NOZZLE, main	1	
12	137-14143-38	•JET, main (#190)	1	UR STD
	137-14143-36	•JET, main (#180)	1	UR
	137-14143-40	•JET, main (#200)	1	UR
13	314-14185-00	•FLOAT	1	
14	493-14133-00	•SPRING, throttle stop	1	
15	443-14122-00	•SCREW, throttle	1	
16	183-14196-00	•PIPE	2	
17	98501-04016	•SCREW, Pan head	4	
18	92902-04100	•WASHER, spring	4	
19	363-14137-00	•CLIP	1	
20	802-14161-00	•NUT, cable adjusting	1	
21	1T9-14155-00	•GUIDE, cable	1	
22	509-14198-00	•GASKET	1	
23	1M1-14169-00	•CAP	1	
24	3R1-14153-00	•WASHER, main Jet	1	
25	314-14112-20	•VALVE, throttle 1	1	
26	246-14132-00	•STOPPER, cable	1	

B6

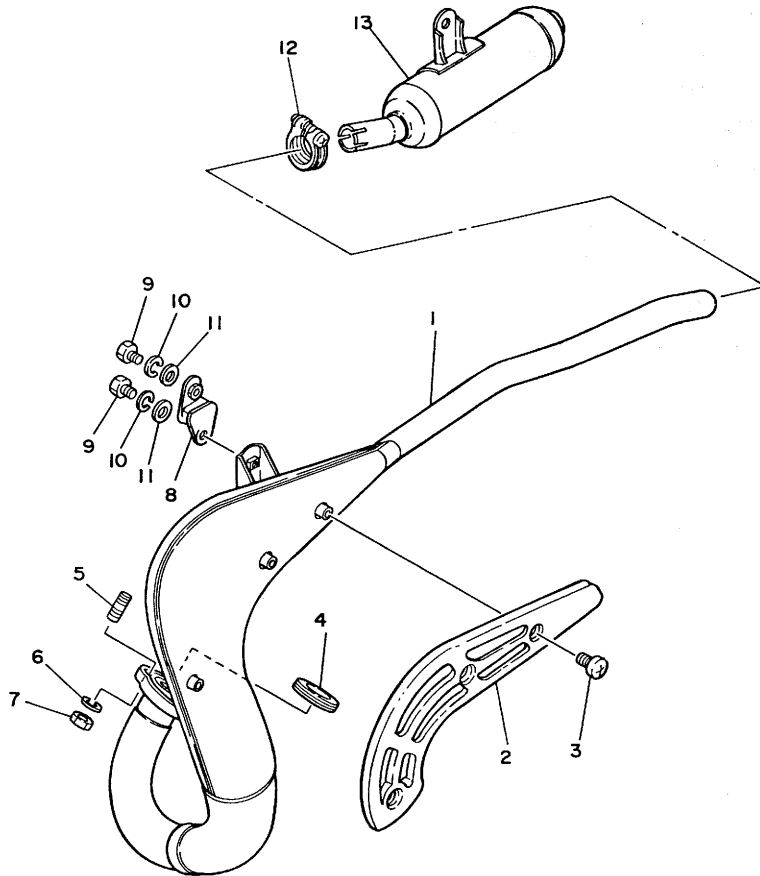
FIG. 5 CARBURETOR



REF. NO.	PART NO.	DESCRIPTION	Q'TY	REMARKS
27	248-14131-00	•SPRING, throttle valve	1	
28	2A6-14126-00	•GASKET	1	
29	2A6-14158-00	•TOP, mixing chamber	1	
30	164-14137-00	•CLIP	1	
31	304-14261-00	•HOLDER	1	
32	132-14173-00	•COVER, Plunger cap	1	
33	353-14138-00	•CLIP, Plunger	1	
34	152-14174-00	•CAP, Plunger	1	
35	156-14135-00	•SPRING, Plunger	1	
36	304-14171-00	•PLUNGER, starter	1	
37	91402-16015	•PIN, cotter	1	
38	214-14147-00	•O-RING	1	
39	174-14134-00	•SPRING, air adjusting	1	
40	354-14147-00	•O-RING	1	
41	525-14123-00	•SCREW, air adjusting	1	

B7

FIG. 6 EXHAUST



REF. NO.	PART NO.	DESCRIPTION	Q'TY	REMARKS
1	4V1-14610-00	EXHAUST PIPE ASSY 1	1	
2	4V1-14718-01	PROTECTOR, muffler 1	1	
3	98903-06008	SCREW, bind	2	
4	152-14613-00	GASKET, exhaust Pipe	1	
5	90116-08166	BOLT, stud	2	
6	92901-08100	WASHER, sPrinG	2	
7	95301-08600	NUT	2	
8	565-14771-00	STAY, muffler 1	1	
9	97301-06016	BOLT	2	
10	92901-06100	WASHER, sPrinG	2	
11	92901-06600	WASHER, Plate	2	
12	3R0-14788-00	BAND, silencer	1	
13	4V1-14753-00	SILENCER, exhaust	1	



FIG. 7 CRANKCASE

REF. NO.	PART NO.	DESCRIPTION	Q'TY	REMARKS
1	4V0-15111-00	CRANKCASE 1	1	
2	92506-06045	SCREW, Pan head	6	
3	92506-06035	SCREW, Pan head	3	
4	353-13115-01	CONNECTOR, suction Pipe	1	
5	90445-08376	HOSE	1	
6	91830-22016	PIN, dowel	2	
7	4V0-15121-00	CRANKCASE 2	1	
8	90338-07011	PLUG	1	
9	4V0-15113-00	PLATE	1	
10	92501-06012	SCREW, Pan head	1	
11	90340-12059	PLUG, straight screw	1	
12	90430-12038	GASKET	1	

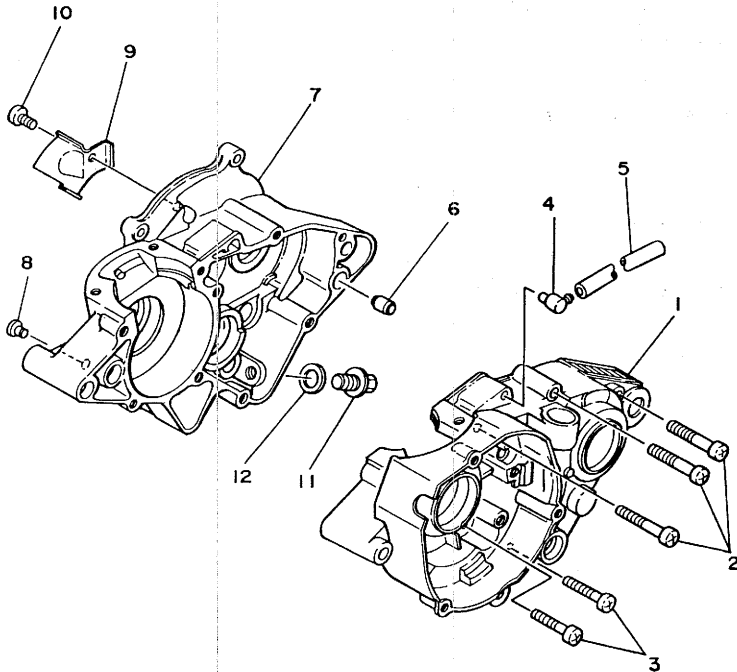
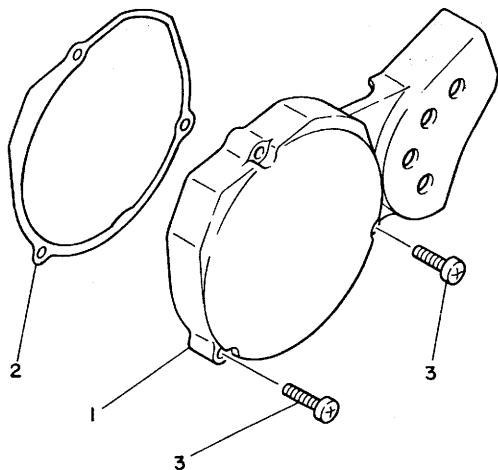
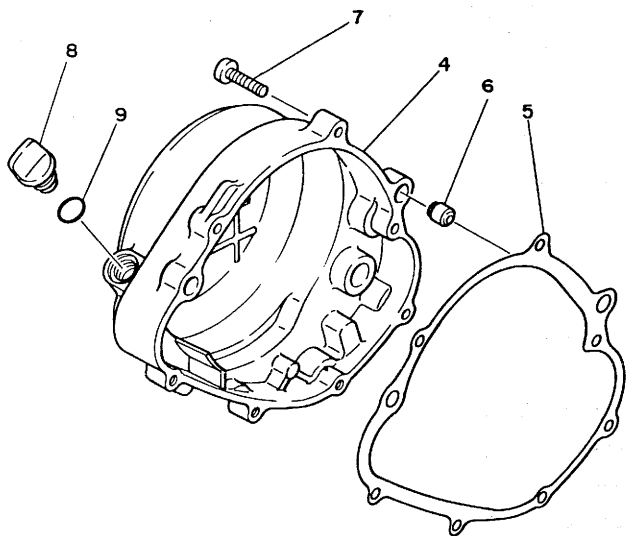


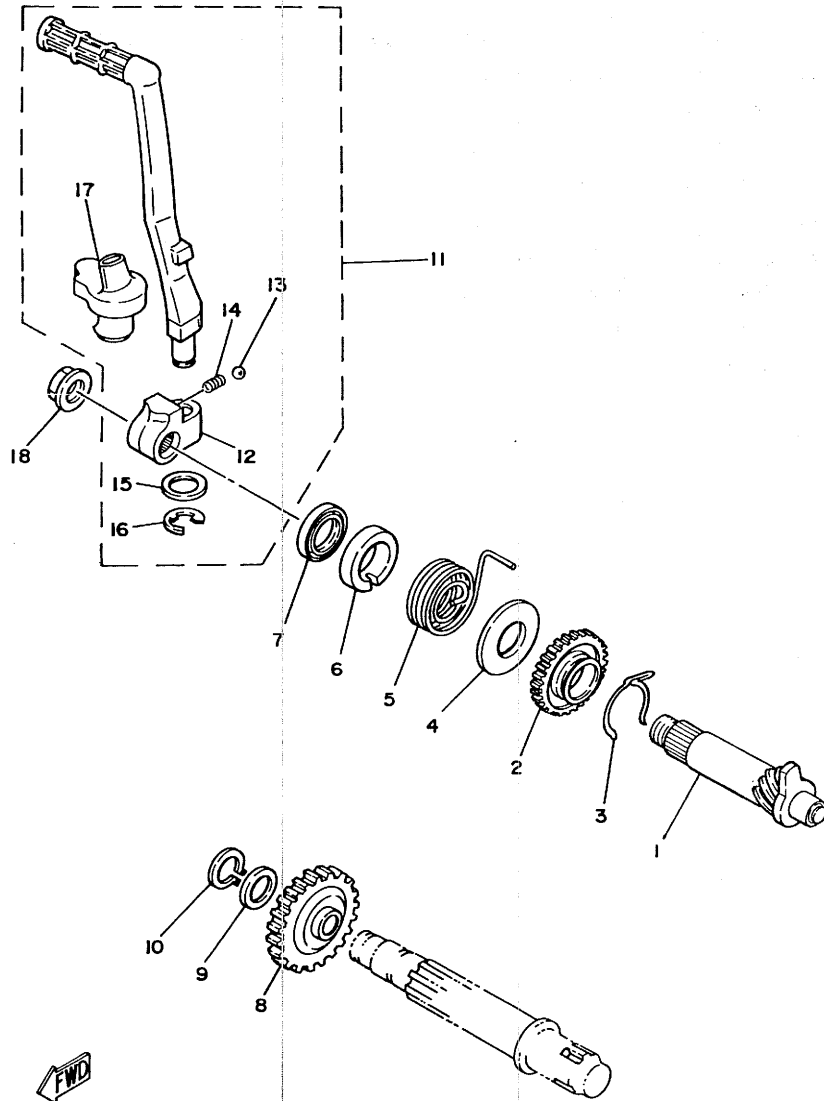
FIG. 8 CRANKCASE COVER

REF. NO.	PART NO.	DESCRIPTION	Q'TY	REMARKS
1	4V0-15411-00	COVER, crankcase 1	1	
2	4V0-15451-00	GASKET, crankcase cover	1	
3	92506-06025	SCREW, Pan head	3	
4	4V0-15421-00	COVER, crankcase 2	1	
5	4V0-15462-00	GASKET, crankcase cover 3	1	
6	91830-21014	PIN, dowel	2	
7	92506-06025	SCREW, Pan head	7	
8	4J2-15363-00	PLUG, oil	1	
9	93210-14104	O-RING	1	



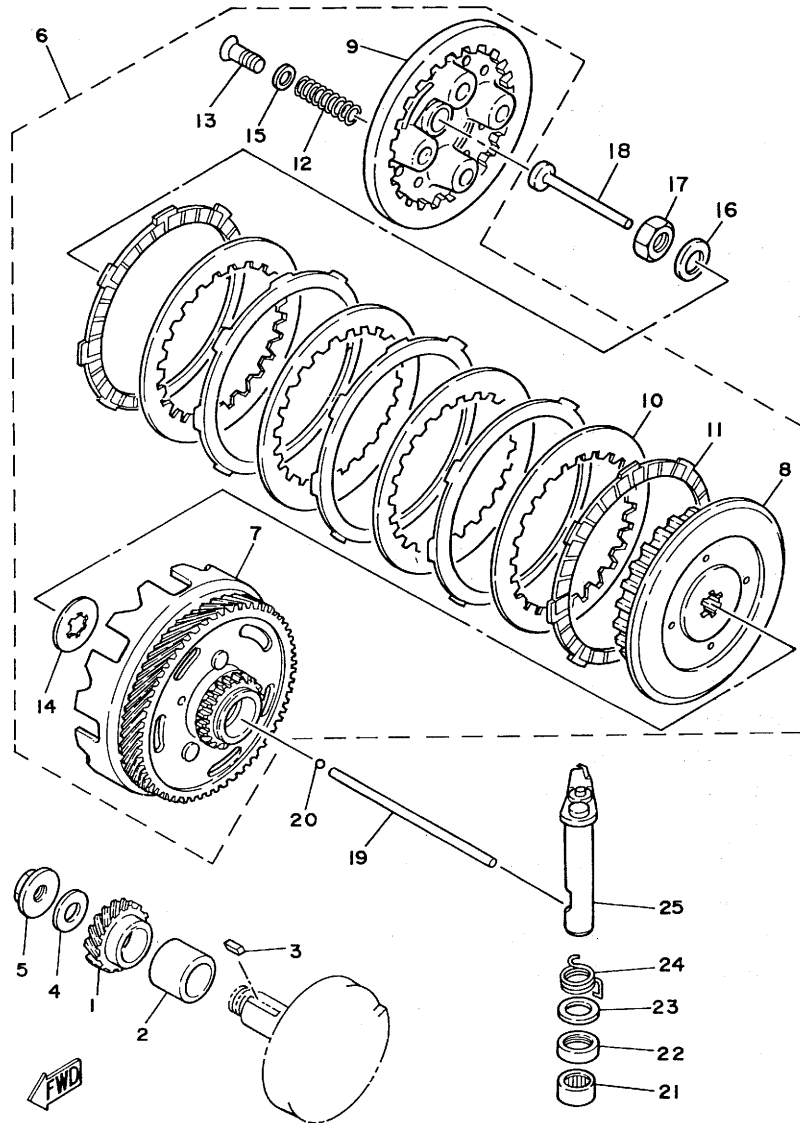
FWD

FIG. 9 KICK STARTER



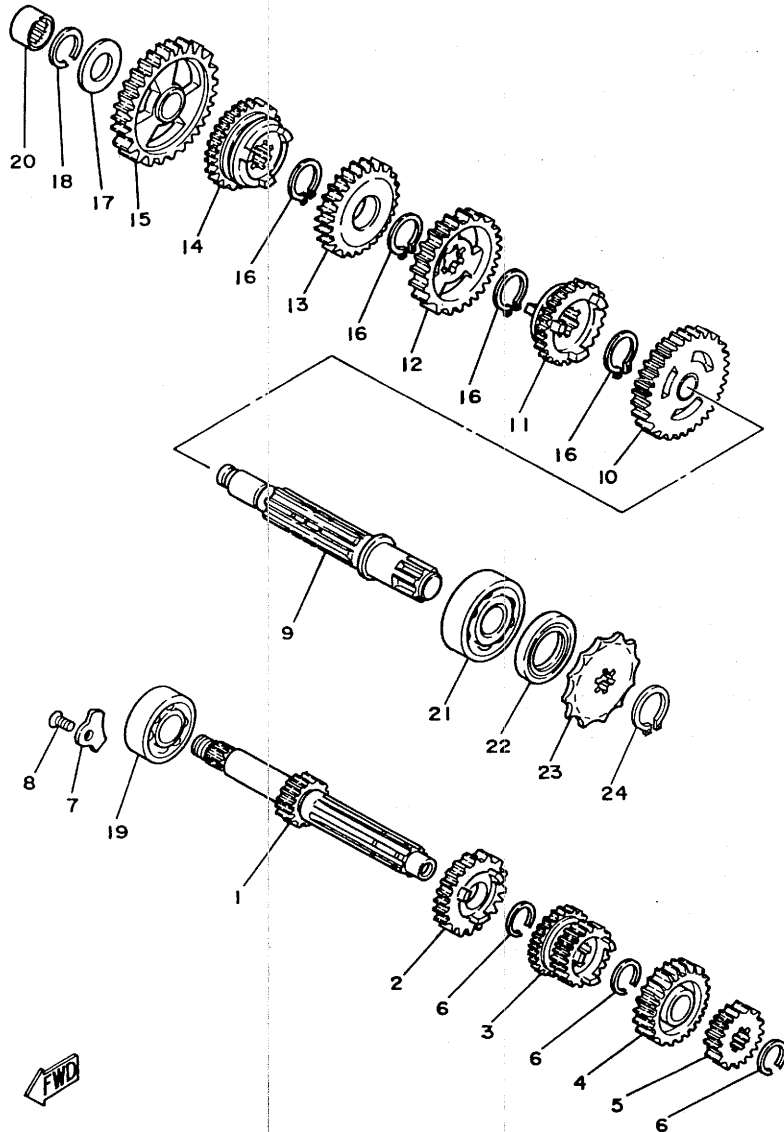
REF. NO.	PART NO.	DESCRIPTION	Q'TY	REMARKS
1	4V0-15660-00	KICK AXLE ASSY	1	
2	4V0-15641-00	GEAR, kick (24T)	1	
3	90468-26046	CLIP	1	
4	90201-154A1	WASHER, Plate	1	
5	90508-26464	SPRING, torsion	1	
6	4V0-15664-00	GUIDE, sPring	1	
7	93109-15001	OIL SEAL	1	
8	4V0-15651-00	GEAR, sProcket idle (25T)	1	
9	102-18137-00-10	WASHER 1	1	
10	93410-12003	CIRCLIP	1	
11	4V0-15620-00	KICK CRANK ASSY	1	
12	4V0-15621-00	•BOSS, kick crank	1	
13	93507-32009	•BALL	1	
14	90501-12081	•SPRING, comPression	1	
15	90201-12631	•WASHER, Plate	1	
16	93430-08007	•CIRCLIP	1	
17	4V0-15618-00	*COVER, kick lever	1	
18	90179-10272	NUT	1	

FIG. 10 CLUTCH



REF. NO.	PART NO.	DESCRIPTION	Q'TY	REMARKS
1	4V0-16111-00	GEAR, Primary drive	1	
2	90387-20175	COLLAR	1	
3	90282-05034	KEY, straight	1	
4	90208-12015	WASHER, conical sPring	1	
5	90179-12302	NUT	1	
6	4V1-16300-01	CLUTCH ASSY	1	
7	4V1-16150-00	•PRIMARY DRIVEN GEAR COMP.(68T)	1	
8	1V1-16371-01	•BOSS, clutch	1	
9	4Y2-16351-00	•PLATE, Pressure 1	1	
10	598-16324-00	•PLATE, clutch 1	4	
11	4V0-16321-00	•PLATE, friction	5	
12	90501-20125	•SPRING, comPression	4	
13	98701-05020	•SCREW, flat head	4	
14	4V0-16154-00	•PLATE, thrust 1	1	
15	90201-05775	•WASHER, Plate	4	
16	90208-12015	WASHER, conical sPring	1	
17	90170-12060	NUT	1	
18	137-16356-00	ROD, Push 1	1	
19	2X3-16357-00	ROD, Push 2	1	
20	93503-16010	BALL	1	
21	93315-21429	BEARING, cylindrical	1	
22	93109-14021	OIL SEAL	1	
23	90201-14411	WASHER, Plate	1	
24	90508-18463	SPRING, torsion	1	
25	4V1-16380-00	PUSH LEVER ASSY	1	

FIG. 11 TRANSMISSION



REF. NO.	PART NO.	DESCRIPTION	Q'TY	REMARKS
1	4V0-17411-00	AXLE, main (13T)	1	
2	4V0-17151-02	GEAR, 5th Pinion (20T)	1	
3	4V0-17131-00	GEAR, 3rd/4th Pinion (19T,21T)	1	
4	4V0-17161-01	GEAR, 6th Pinion (24T)	1	
5	4V0-17121-00	GEAR, 2nd Pinion (16T)	1	
6	93440-16089	CIRCLIP	3	
7	3R4-15383-00	PLATE, bearing cover	2	
8	92701-06012	SCREW, flat head	2	
9	4V0-17421-00	AXLE, drive	1	
10	4V0-17221-00	GEAR, 2nd wheel (33T)	1	
11	4V0-17261-01	GEAR, 6th wheel (25T)	1	
12	4V0-17231-00	GEAR, 3rd wheel (31T)	1	
13	4V0-17241-00	GEAR, 4th wheel (28T)	1	
14	4V0-17251-01	GEAR, 5th wheel (23T)	1	
15	4V0-17211-00	GEAR, 1st wheel (36T)	1	
16	93410-20038	CIRCLIP	4	
17	164-17427-00-06	SHIM 1 (0.6T)	1	
18	93440-15012	CIRCLIP	1	
19	93306-20303	BEARING (B6203Z)	1	
20	93315-31502	BEARING, cylindrical	1	
21	93306-20401	BEARING (B6204)	1	
22	93102-20143	OIL SEAL	1	
23	174-17461-30	SPROCKET, drive (13T)	1	STD
	174-17461-20	SPROCKET, drive (12T)	1	AP
	174-17461-40	SPROCKET, drive (14T)	1	AP
24	93410-18062	CIRCLIP	1	

B13

FIG. 13 SHIFT SHAFT-PEDAL

REF. NO.	PART NO.	DESCRIPTION	Q'TY	REMARKS
1	4V0-18101-00	SHIFT SHAFT ASSY	1	
2	93430-10016	CIRCLIP	1	
3	90508-29465	SPRING, torsion	1	
4	93608-30128	PIN, dowel	1	
5	93109-12012	OIL SEAL	1	
6	4V0-18111-00	PEDAL, shift	1	
7	132-18113-01	COVER, shift Pedal	1	
8	97321-06020	BOLT	1	

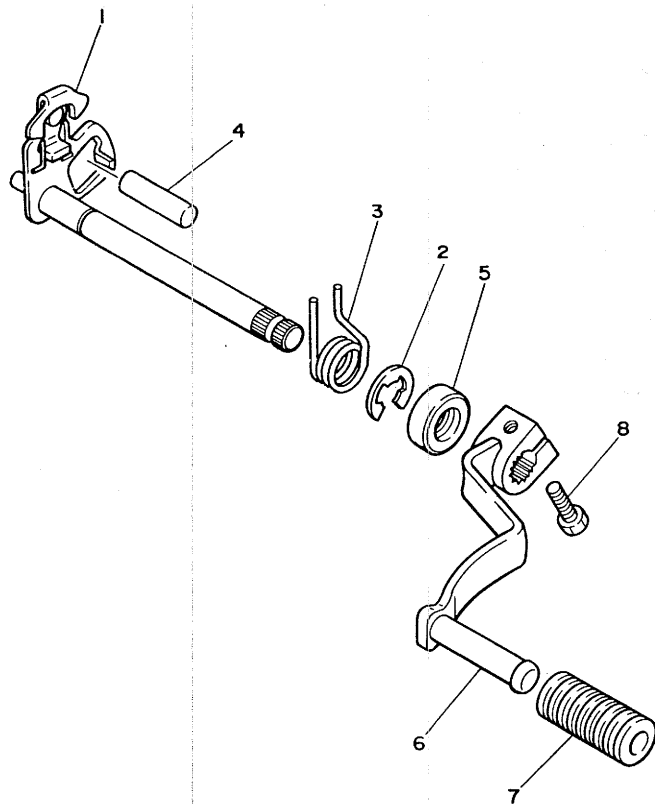
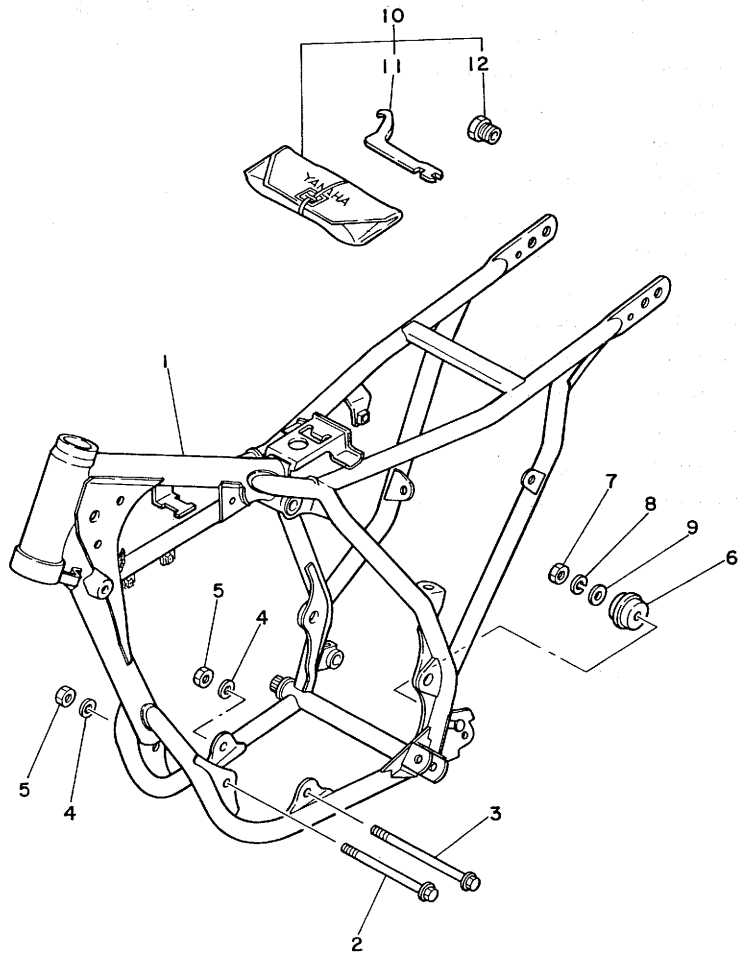


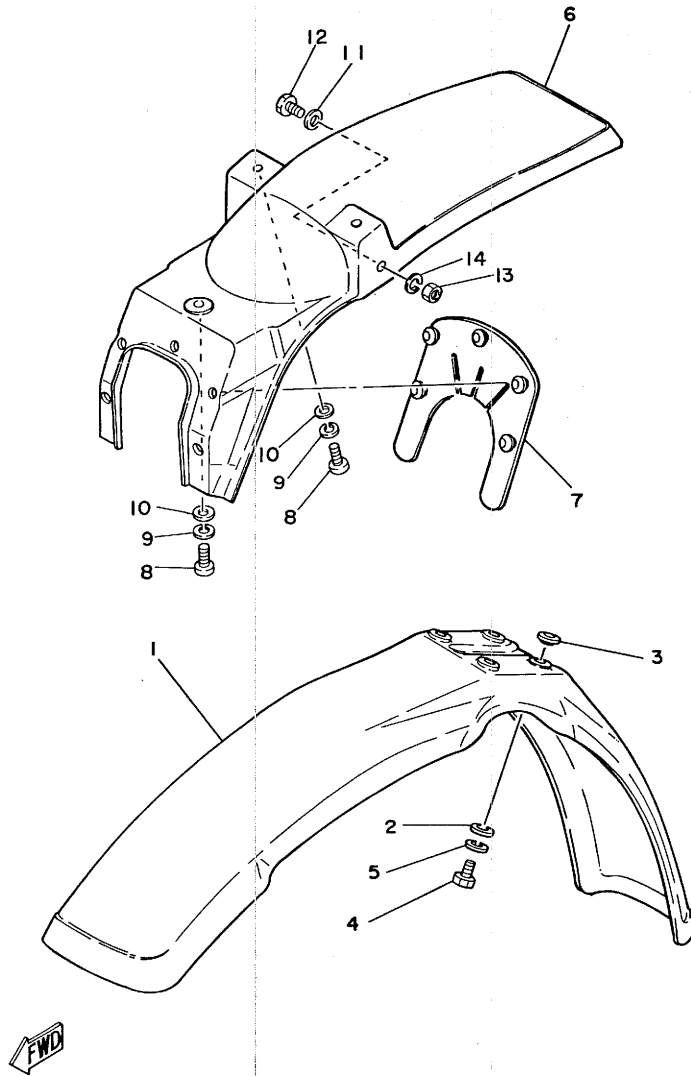
FIG. 14 FRAME. TOOL



REF. NO.	PART NO.	DESCRIPTION	Q'TY	REMARKS
1	4V1-21110-00-33	FRAME COMP	1	yamaha black
2	90105-08024	BOLT, washer based	1	
3	90105-08189	BOLT, washer based	1	
4	92901-08200	WASHER, Plain	2	
5	90185-08054	NUT, self-locking	2	
6	2X6-22178-00	TENSIONER	1	
7	95301-06600	NUT	1	
8	92901-06100	WASHER, sPring	1	
9	90201-06052	WASHER, Plate	1	
10	2X6-28100-10	TOOL KIT	1	
11	1M1-28137-00	•SPRING SEAT WRENCH	1	
12	2K7-85555-00	•PULLER, rotor	1	



FIG. 15 FRONT FENDER•REAR FENDER

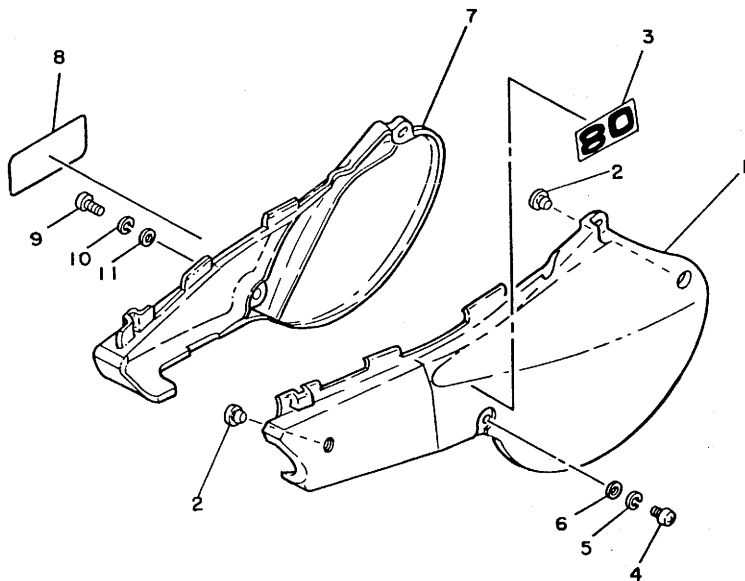


REF. NO.	PART NO.	DESCRIPTION	Q'TY	REMARKS
1	3R1-21511-10	FENDER, front	1	clean white
2	90201-06067	WASHER, Plate	4	
3	90209-06187	WASHER	4	
4	97302-06020	BOLT	4	
5	92902-06100	WASHER, sPring	4	
6	4V1-21611-10	FENDER, rear	1	clean white
7	4V1-21621-00	FLAP	1	
8	92502-06016	SCREW, Pan head	3	
9	92902-06100	WASHER, sPring	3	
10	90201-06067	WASHER, Plate	3	
11	156-24186-00	WASHER, sPecial	2	
12	97301-08020	BOLT	2	
13	95301-08600	NUT	2	
14	92901-08100	WASHER, sPring	2	

C3

FIG. 16 SIDE COVER

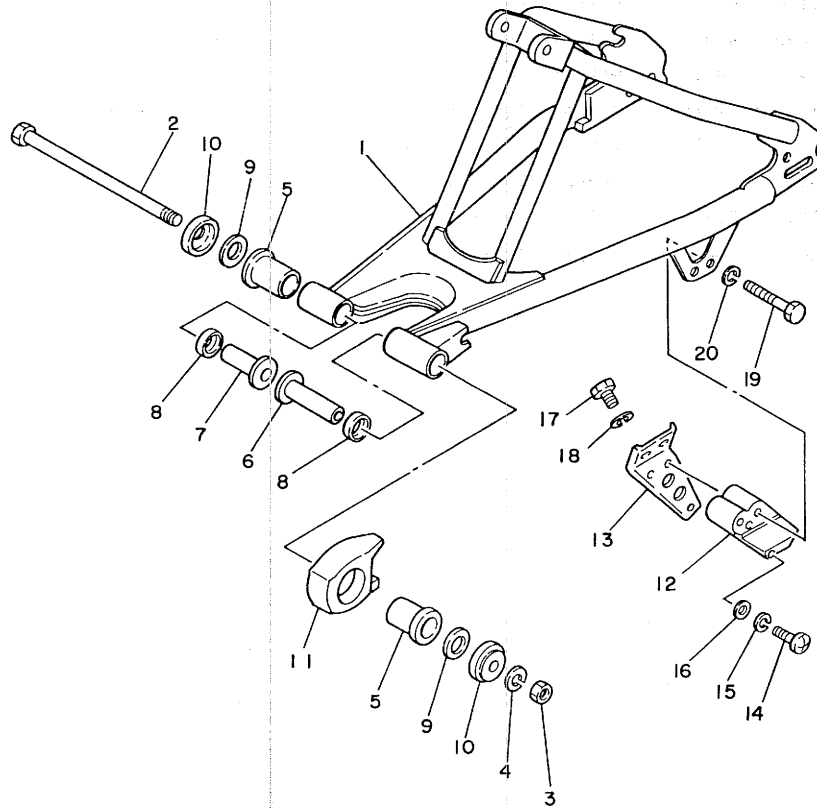
REF. NO.	PART NO.	DESCRIPTION	Q'TY	REMARKS
1	4V1-21711-10	COVER, side (L.H)	1	clean white
2	431-24181-00	DAMPER, locating 1	2	
3	3R1-21781-00	EMBLEM 1	1	
4	92501-06015	SCREW, Pan head	2	
5	92901-06100	WASHER, sPring	2	
6	90201-06067	WASHER, Plate	2	
7	4V1-21721-10	COVER, side (R.H)	1	clean white
8	3R1-21781-00	EMBLEM 1	1	
9	92501-06015	SCREW, Pan head	2	
10	92901-06100	WASHER, sPring	2	
11	90201-06067	WASHER, Plate	2	



FWD

C4

FIG. 17 REAR ARM

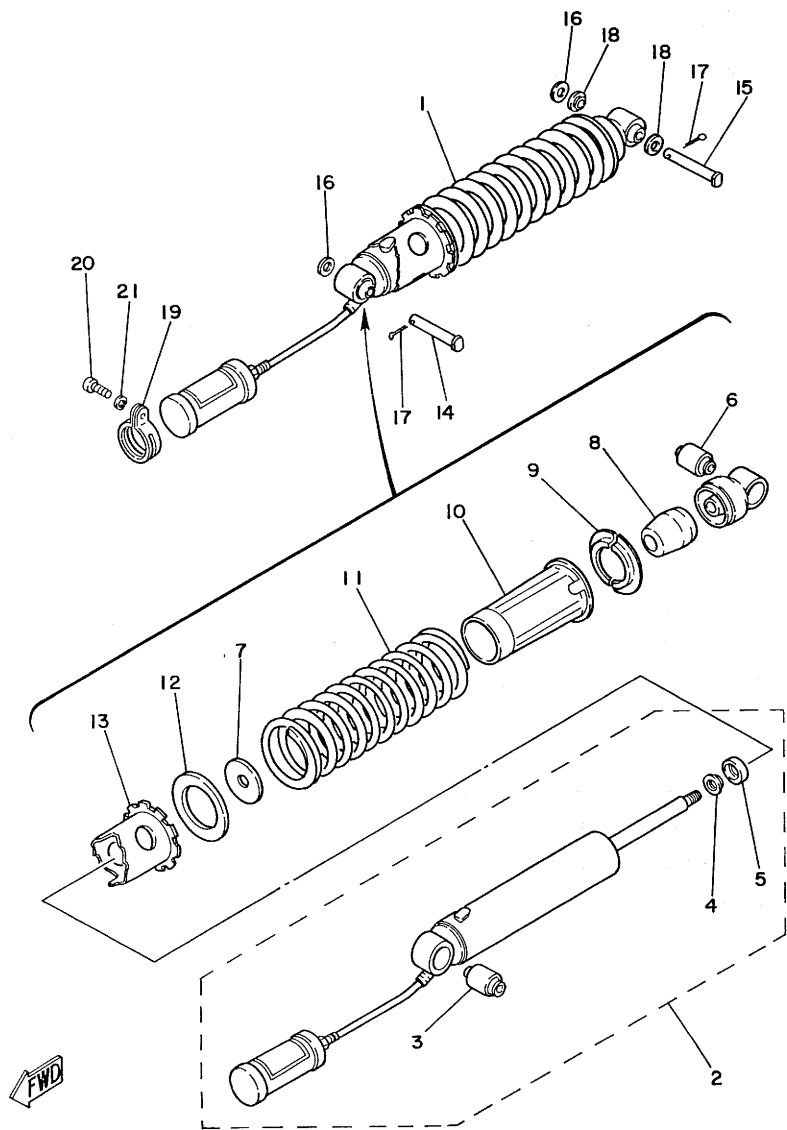


REF. NO.	PART NO.	DESCRIPTION	Q'TY	REMARKS
1	4V1-22110-00-35	REAR ARM COMP.	1	silver
2	4V1-22141-00	SHAFT, Pivot	1	
3	95311-12700	NUT	1	
4	92901-12100	WASHER, sPring	1	
5	90386-18099	BUSH	2	
6	90387-127A1	COLLAR	1	
7	90387-127A0	COLLAR	1	
8	93109-18020	OIL SEAL	2	
9	401-22127-00	SHIM	1	UN
10	401-22128-01	SEAL, Guard	2	
11	4V1-22151-00	SEAL, Guard	1	
12	4V0-22199-00	SUPPDRT, chain	1	
13	4V0-22179-00	ARM, tensioner	1	
14	92501-06020	SCREW, Pan head	1	
15	92901-06100	WASHER, sPring	1	
16	92901-06600	WASHER, Plate	1	
17	97301-06012	BOLT	2	
18	92901-06100	WASHER, sPring	2	
19	97301-06045	BOLT	2	
20	92901-06100	WASHER, sPring	2	

FWD

C5

FIG. 18 REAR SUSPENSION



REF. NO.	PART NO.	DESCRIPTION	Q'TY	REMARKS
1	4V1-22210-00	SHOCK ABSORBER ASSY, rear	1	
2	4V1-22401-00	•DUMPER SUB ASSY	1	
3	2X6-22216-00	••BUSH, rear shock absorber	1	
4	3R1-22475-00	••SEAL, dust	1	
5	2X6-22473-00	••SEAL, housing	1	
6	2X6-22216-00	•BUSH, rear shock absorber	1	
7	2X6-22472-01	•CAP, case	1	
8	2X6-22493-00	•STOPPER, bump	1	
9	3R1-22214-00	•GUIDE, sPring 1	2	
10	4V1-22224-00	•GUIDE, sPring 2	1	
11	4V1-22212-00	•SPRING	1	
12	3R1-22234-00	•GUIDE, sPring 3	1	
13	3R1-22406-00	•SPRING SEAT SUB ASSY	1	
14	90240-10064	PIN, clevis	1	
15	90240-10073	PIN, clevis	1	
16	92901-10600	WASHER, Plate	2	
17	91401-25020	PIN, cotter	2	
18	2X6-22129-00	COVER, thrust 2	2	
19	4V1-22262-00	HOLDER, sub tank	2	
20	92501-06020	SCREW, Pan head	2	
21	92901-06600	WASHER, Plate	2	

FIG. 19 STEERING

REF. NO.	PART NO.	DESCRIPTION	Q'TY	REMARKS
1	156-23411-00	RACE, ball 1	1	
2	164-23462-00	SEAL, steering	1	
3	90462-14055	CLAMP	2	
4	92501-06012	SCREW, Pan head	1	
5	92901-06100	WASHER, sPring	1	
6	156-23412-00	RACE, ball 2	1	
7	93501-04011	BALL	19	
8	122-23411-00	RACE, ball 1	1	
9	122-23412-00	RACE, ball 2	1	
10	93503-16010	BALL	22	
11	122-23416-00	COVER, ball race 2	1	
12	90179-25033	NUT	1	
13	90105-14137	BOLT, washer based	1	
14	3R1-23435-00-98	CROWN, handle	1	low gloss black
15	97301-08050	BOLT	2	
16	92901-08600	WASHER, Plate	3	
17	92901-08100	WASHER, sPring	2	
18	95301-08800	NUT, crown	2	
19	3R1-23317-00	HOLDER, cable	1	
20	1E6-23441-00-98	HOLDER, handle upper	2	
21	95821-08035	BOLT, flange	4	
22	3R0-23485-00	PLATE, number	1	
23	2X4-23489-00	BAND	2	
24	90446-09158	HOSE	2	

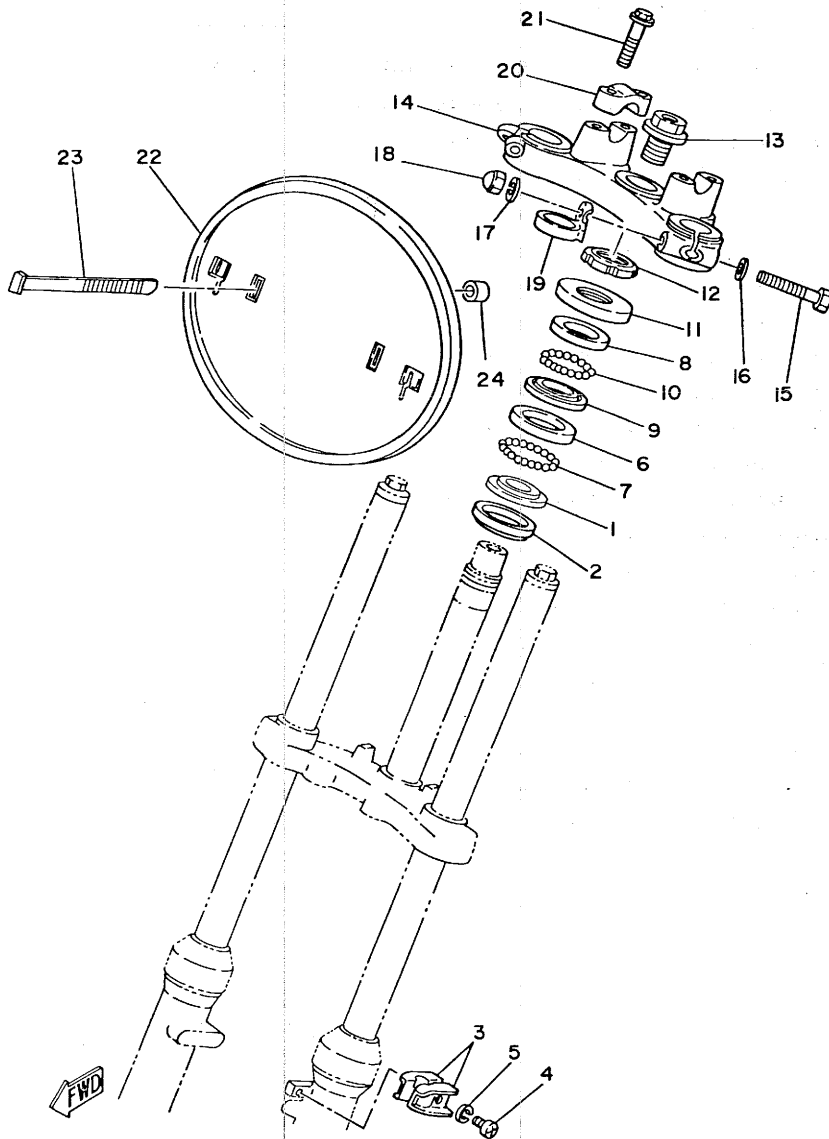
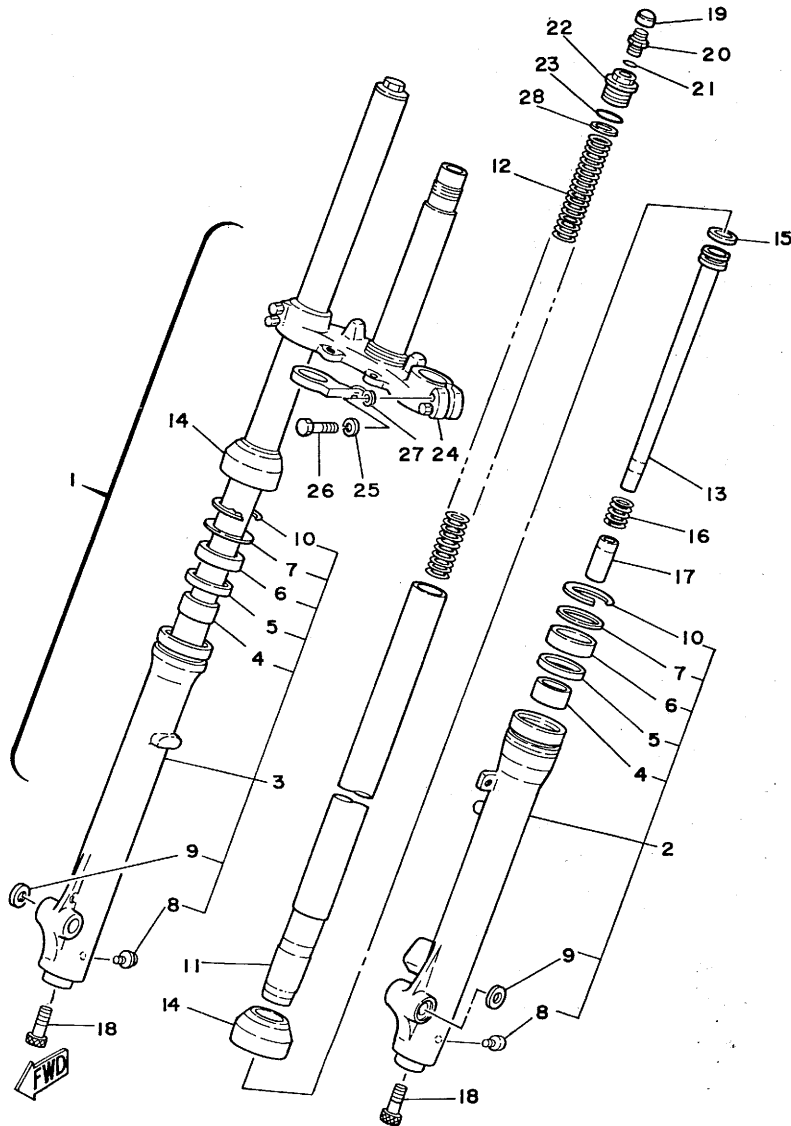


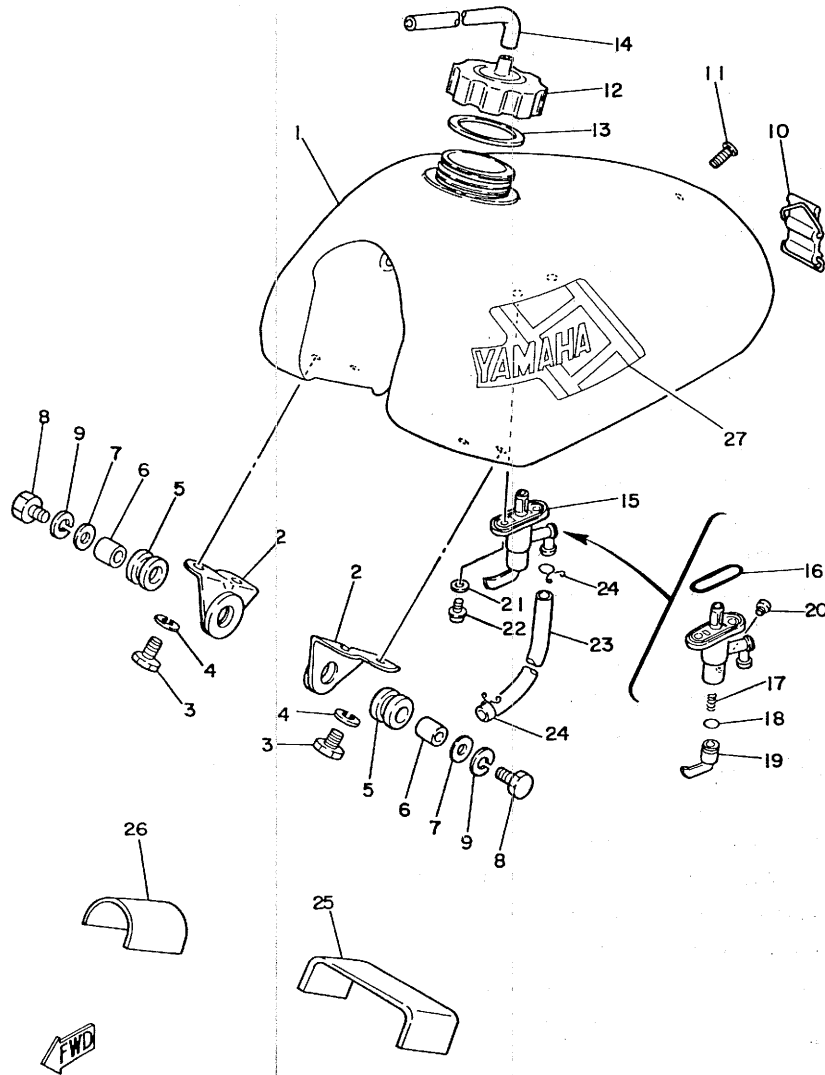
FIG. 20 FRONT FORK



REF. NO.	PART NO.	DESCRIPTION	Q'TY	REMARKS
1	4V1-23101-L0	FRONT FORK ASSY	1	
2	4V1-23140-L0	•FORK UNIT ASSY 2	1	
3	4V1-23130-L0	•FORK UNIT ASSY	1	
4	4V1-23135-L0	••METAL, slide 2	2	
5	4V1-23147-L0	••O-RING	2	
6	4V1-23145-L0	••OIL SEAL	2	
7	4V1-23146-L0	••WASHER, oil seal	2	
8	2A6-23119-00	••PLUG, drain	2	
9	462-23392-02	••WASHER, sPecial	2	
10	4V1-23156-L0	••CLIP, oil seal	2	
11	4V1-23110-L0-93	•INNER TUBE COMP.1	2	chrome-Plated
12	4V1-23351-L0	•SPRING	2	
13	4V1-23143-L0	•SEAT, sPring lower	2	
14	4V1-23144-L0	•SEAL, dust	2	
15	1E7-23157-00	•RING, Piston	2	
16	2X6-23151-00	•SPRING, rebound	2	
17	1L9-23166-00	•TAPER, sPindle	2	
18	3M7-23181-00	•BOLT, hexa8on socket head	2	
19	4V1-23184-L0	•CAP, air valve	2	
20	3H3-23190-00	•AIR VALVE COMP.	2	
21	3H3-23147-00	•O-RING	2	
22	4V1-23111-L0	•BOLT, caP	2	
23	1E7-23114-00	•GASKET	2	
24	3R1-23340-00-90	•UNDER BRACKET COMP.	1	uni chrome (bl-ack)
25	92902-08100	•WASHER, sPring	4	
26	2A6-23346-00	•BOLT 1	4	
27	4V1-23317-00	•HOLDER, cable	1	
28	4V1-23113-00	•COLLAR	2	

C8

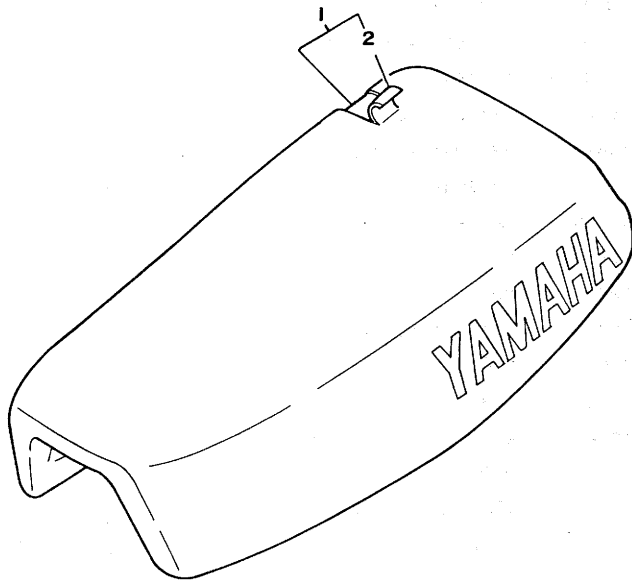
FIG. 21 FUEL TANK



REF. NO.	PART NO.	DESCRIPTION	Q'TY	REMARKS
1	4V1-24110-10	FUEL TANK COMP.	1	clean white
2	4V1-24157-01	STAY, fuel tank 1	2	
3	97301-06012	BOLT	4	
4	92901-06100	WASHER, sPring	4	
5	90480-18290	GROMMET	2	
6	90387-07598	COLLAR	2	
7	90201-06072	WASHER, Plate	2	
8	97321-06030	BOLT	2	
9	92901-06100	WASHER, sPring	2	
10	3R3-24173-00	BAND, tank fitting 1	1	
11	98902-06016	SCREW, bind	1	
12	1W1-24611-00	BODY, cap	1	
13	1W1-24612-00	GASKET, cap	1	
14	90445-09104	HOSE	1	
15	2K5-24500-00	FUEL COCK ASSY 1	1	
16	214-24512-00	•GASKET	1	
17	1A0-24529-01	•SPRING	1	
18	1A0-24512-00	•O-RING	1	
19	1A0-24524-01	•LEVER, cock	1	
20	619-24535-00	•SCREW, lever fitting	1	
21	90202-06010	WASHER, Plate	2	
22	90149-06011	SCREW	2	
23	90445-11150	HOSE	1	
24	90467-10008	CLIP	2	
25	3R1-24181-00	DAMPER, locating 1	1	
26	4V1-24183-00	DAMPER, locating 3	1	
27	4V1-24244-29	GRAPHIC, fuel tank 1	1	

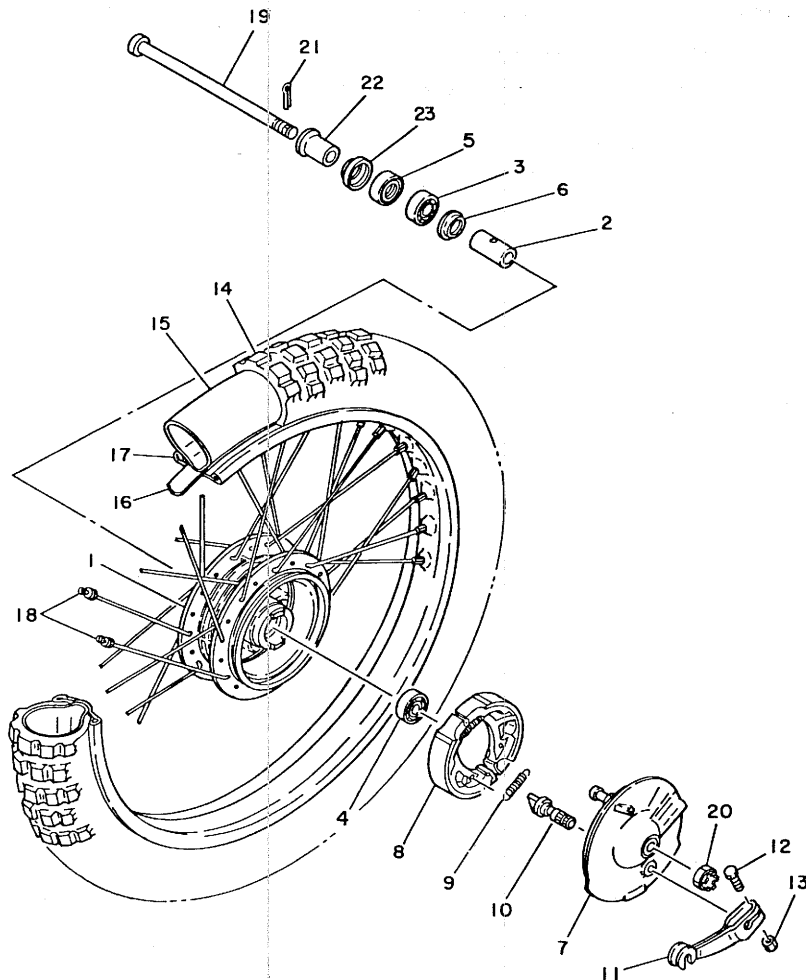
FIG. 22 SEAT

REF. NO.	PART NO.	DESCRIPTION	Q'TY	REMARKS
1	4V1-24770-00	SEMI-DOUBLE SEAT ASSY	1	
2	4V1-24771-00	•COVER, semi-double seat	1	



FWD

FIG. 23 FRONT WHEEL



FWD

C11

REF. NO.	PART NO.	DESCRIPTION	Q'TY	REMARKS
1	462-25111-01-98	HUB, front	1	low gloss black
2	90560-12138	SPACER	1	
3	93306-00105	BEARING (B6001)	1	
4	93306-00104	BEARING (B6001RS)	1	
5	93106-18013	OIL SEAL	1	
6	462-25115-00	FLANGE, sPacer 1	1	
7	2J5-25121-00-98	PLATE, brake shoe	1	low gloss black
8	451-25130-00	BRAKE SHOE COMP.	2	
9	90506-14081	SPRING, tension	2	
10	451-25151-00	CAMSHAFT	1	
11	451-25155-00	LEVER, camshaft 1	1	
12	90101-06291	BOLT	1	
13	95301-06600	NUT	1	
14	94127-17666	TIRE (2.75-17)	1	
15	94227-17152	TUBE (2.75-17)	1	
16	94327-17103	BAND, rim (2.75-17)	1	
17	94414-17272	RIM (1.40-17)	1	
18	4V1-25104-00	SPOKE SET, front	1	
19	90102-12015	BOLT, with hole	1	
20	90171-12005	NUT, castle	1	
21	91401-30025	PIN, cotter	1	
22	2J5-25183-00	COLLAR, wheel	1	
23	462-25118-00	COVER, hub dust	1	

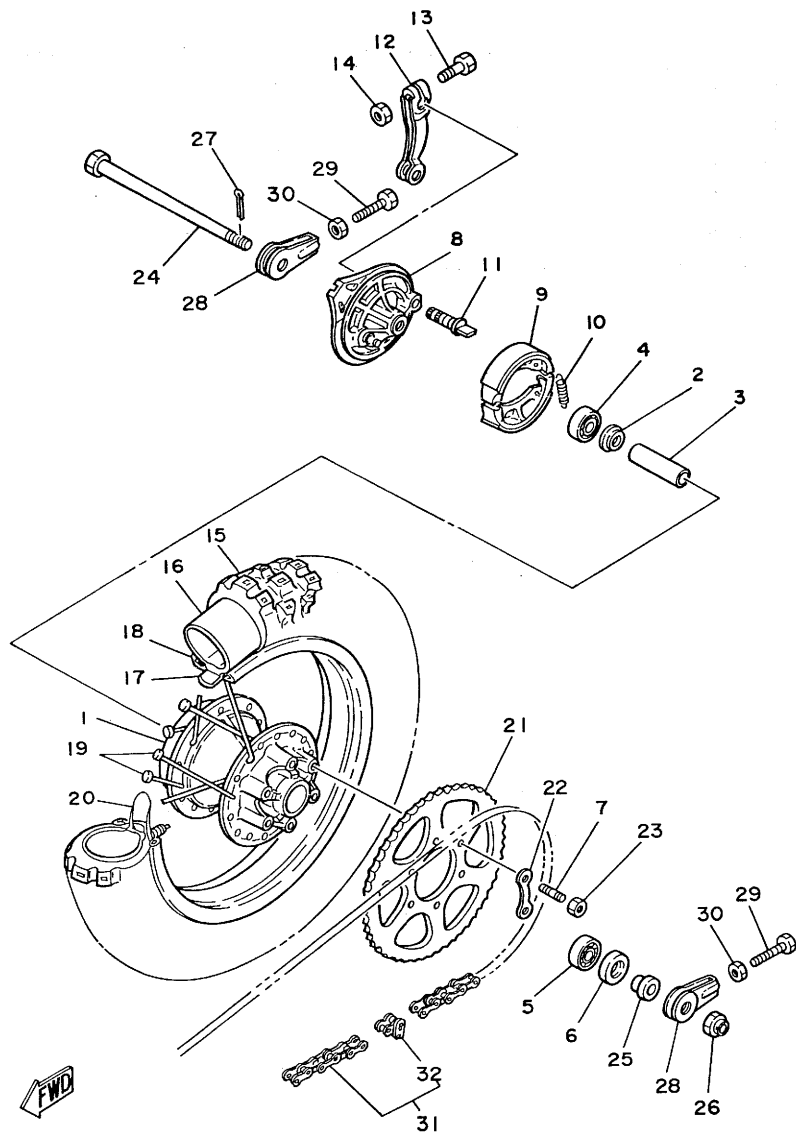
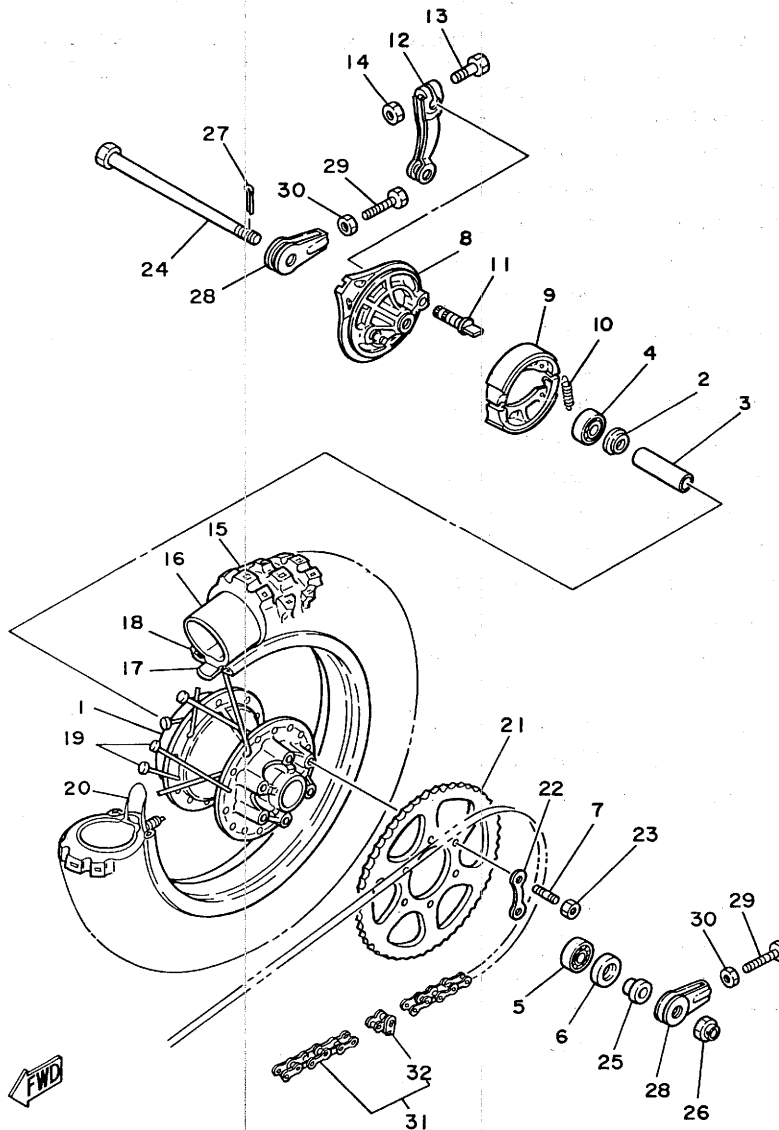


FIG. 24 REAR WHEEL

REF. NO.	PART NO.	DESCRIPTION	Q'TY	REMARKS
1	3R1-25311-01-98	HUB, rear	1	low gloss black
2	109-25315-00	FLANGE, spacer	1	
3	90560-12170	SPACER	1	
4	93306-30101	BEARING (B6301)	1	
5	93306-30105	BEARING	1	
6	93106-20002	OIL SEAL	1	
7	90116-08283	BOLT, stud	6	
8	3R0-25321-00-98	PLATE, brake shoe	1	low gloss black
9	451-25130-00	BRAKE SHOE COMP.	2	
10	90506-14081	SPRING, tension	2	
11	3R0-25351-00	CAMSHAFT	1	
12	3R0-25355-10	LEVER, camshaft	1	
13	90101-06278	BOLT	1	
14	95301-06600	NUT	1	
15	94141-14665	TIRE (4.10-14)	1	
16	94241-14175	TUBE (4.10-14)	1	
17	94336-14102	BAND, rim (3.60-14)	1	
18	94416-14273	RIM (1.60-14)	1	
19	4V1-25304-00	SPOKE SET, rear	1	
20	2J5-25394-00	SPACER, bead	1	
21	4V1-25444-10-33	SPROCKET, driven (44T)	1	STD
	4V1-25442-10-33	SPROCKET, driven (42T)	1	yamaha black
	4V1-25446-10-33	SPROCKET, driven (46T)	1	AP yamaha black
22	214-25412-00	WASHER	3	
23	90170-08158	NUT	6	
24	2J5-25381-01	AXLE, wheel	1	
25	90387-12670	COLLAR	1	
26	90171-12005	NUT, castle	1	

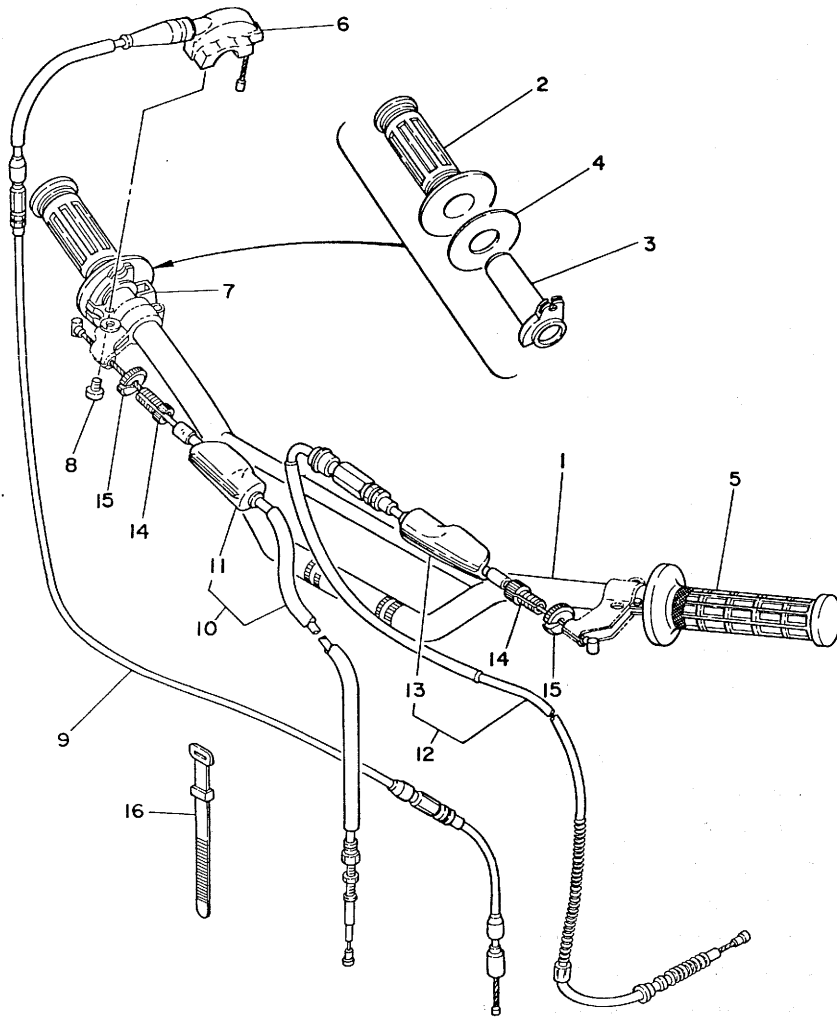
FIG. 24 REAR WHEEL

REF. NO.	PART NO.	DESCRIPTION	Q'TY	REMARKS
27	91401-30022	PIN, cotter	1	
28	241-25389-10	PULLER, chain 2	2	
29	90101-06410	BOLT	2	
30	95301-06600	NUT	2	
31	94580-24108	CHAIN	1	
32	94680-24001	JOINT, chain	1	



C13

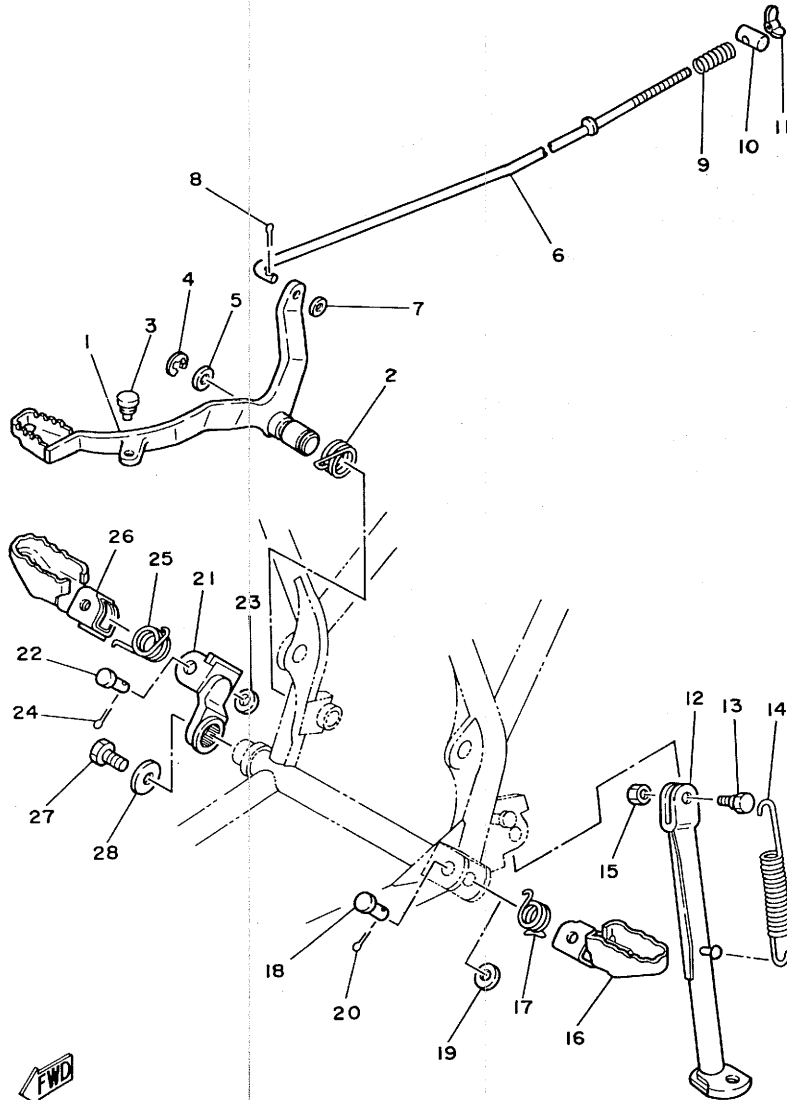
FIG. 25 HANDLEBAR·CABLE



REF. NO.	PART NO.	DESCRIPTION	Q'TY	REMARKS
1	2X6-26111-00	HANDLEBAR	1	
2	583-26242-00	GRIP (R.H)	1	
3	322-26243-00	TUBE, throttle guide	1	
4	1W1-26249-00	RING, leaf	1	
5	4V4-26241-00	GRIP (L.H)	1	
6	322-26281-00-98	CAP, GriP upper	1	
7	322-26282-00-98	CAP, GriP lower	1	
8	98501-05016	SCREW, Pan head	2	
9	4V1-26311-00	CABLE, throttle 1	1	
10	4V1-26341-00	CABLE, brake	1	
11	382-26372-01	COVER, handle lever	1	
12	4V1-26335-00	CABLE, clutch	1	
13	382-26372-01	COVER, handle lever	1	
14	90123-08013	BOLT	2	
15	90179-08148	NUT	2	
16	437-83936-10	BAND, switch cord	1	

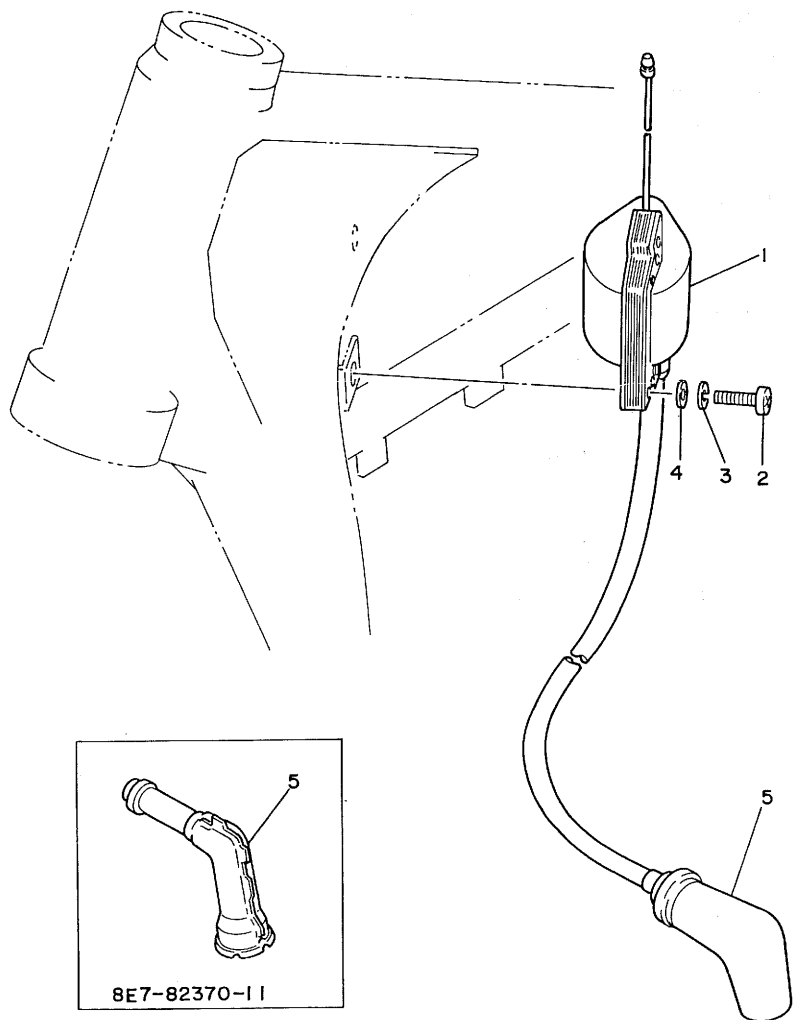
FWD

FIG. 26 STAND.FOOTREST



REF. NO.	PART NO.	DESCRIPTION	Q'TY	REMARKS
1	4V1-27211-00	PEDAL, brake	1	
2	90508-32468	SPRING, torsion	1	
3	90480-15215	GROMMET	1	
4	93430-09019	CIRCLIP	1	
5	92902-12600	WASHER, Plate	1	
6	4V1-27231-00	ROD, brake	1	
7	92901-06600	WASHER, Plate	1	
8	91401-20012	PIN, cotter	1	
9	90501-10245	SPRING, compression	1	
10	90249-12008	PIN	1	
11	90175-06013	NUT, wing	1	
12	4V1-27311-00-R4	STAND, side	1	black
13	90109-08063	BOLT	1	
14	90506-28100	SPRING, tension	1	
15	95301-08700	NUT	1	
16	3R1-27411-00	FOOTREST 1	1	uni chrome (black)
17	90508-20023	SPRING, torsion	1	
18	91701-08038	PIN, clevis	1	
19	92901-08600	WASHER, Plate	1	
20	91401-25012	PIN, cotter	1	
21	4V0-27422-00-33	BRACKET, footrest 2	1	yamaha black
22	91701-08038	PIN, clevis	1	
23	92901-08600	WASHER, Plate	1	
24	91401-25012	PIN, cotter	1	
25	90508-20023	SPRING, torsion	1	
26	3R1-27421-00	FOOTREST 2	1	uni chrome (black)
27	97311-10016	BOLT	1	
28	90201-10144	WASHER, Plate	1	

FIG. 27 ELECTRICAL 1

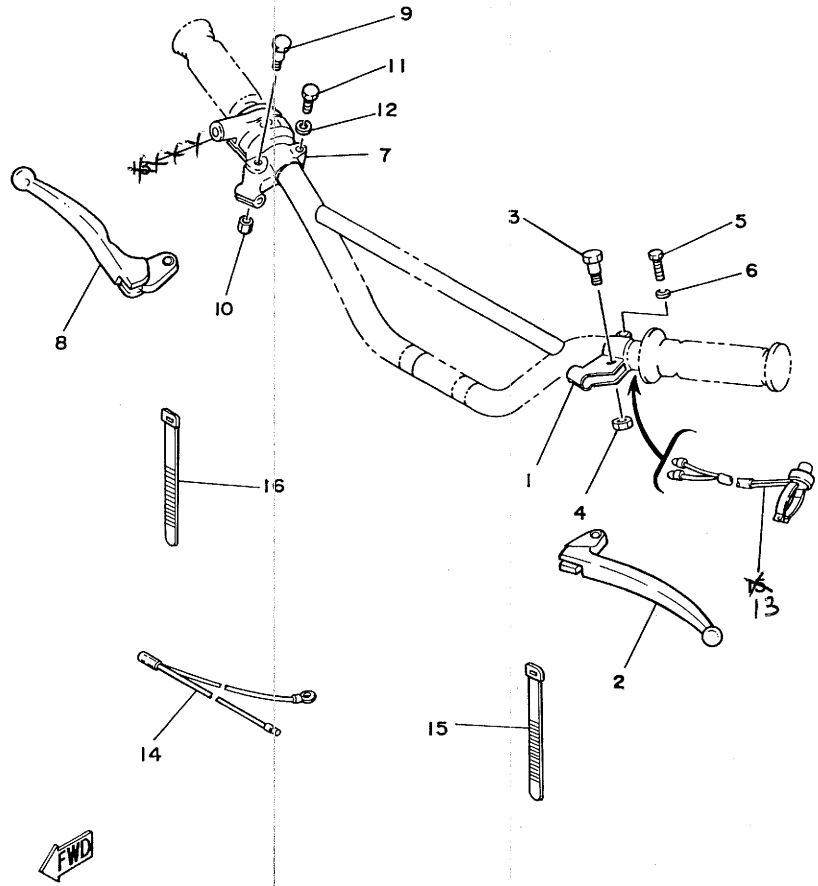


REF. NO.	PART NO.	DESCRIPTION	Q'TY	REMARKS
1	2K7-82310-10	IGNITION COIL ASSY	1	
2	92501-06025	SCREW, Pan head	2	
3	92901-06100	WASHER, sPring	2	
4	92901-06600	WASHER, Plate	2	
5	3R0-82370-20	PLUG CAP ASSY	1	UR
	8E7-82370-11	PLUG CAP ASSY	1	UR with noise suppressor



D2

FIG. 28 HANDLE SWITCH•LEVER

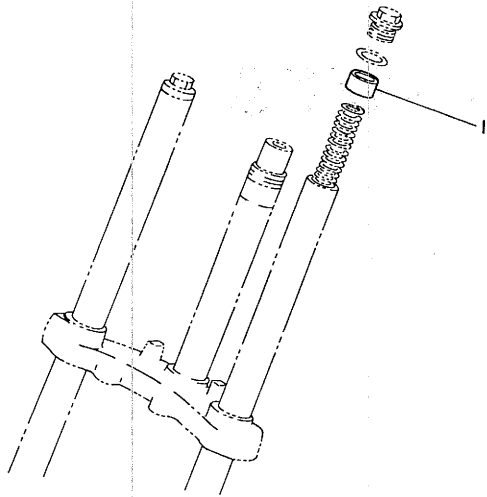


REF. NO.	PART NO.	DESCRIPTION	Q'TY	REMARKS
1	214-82911-01	HOLDER, lever 1	1	
2	3M2-83912-00	LEVER 1	1	
3	90109-06410	BOLT	1	
4	95601-06100	NUT, u	1	
5	97301-06022	BOLT	1	
6	92901-06100	WASHER, sPring	1	
7	233-82921-31	HOLDER, lever 2	1	
8	3M2-83922-00	LEVER 2	1	
9	90109-06410	BOLT	1	
10	95601-06100	NUT, u	1	
11	97301-06022	BOLT	1	
12	92901-06100	WASHER, sPring	1	
13	4V1-83976-00	SWITCH, handle 1	1	
14	4V0-82519-00	WIRE, earth lead	1	
15	437-83936-00	BAND, switch cord	1	
16	437-83936-10	BAND, switch cord	1	

ALTERNATE PARTS

FIG. 29 ALTERNATE (CHASSIS)

REF. NO.	PART NO.	DESCRIPTION	Q'TY	REMARKS
1	3R1-23113-70	COLLAR	2	heavy duty



FWD

D4

REPAIR KIT

FIG. 30 REPAIR KIT

REF. NO.	PART NO.	DESCRIPTION	Q'TY	REMARKS
1	4V0-11650-00	CONNECTING ROD ASSY	1	
2	4V0-11651-02	.ROD, connecting	1	
3	93310-418U1	.BEARING, cylindrical	1	
4	4V0-11681-00	.PIN, crank 1	1	
5	90209-18112	.WASHER	2	
6	93310-212H4	.BEARING, cylindrical	1	
7	4V1-11630-00	PISTON ASSY (STD)	1	
8	4V1-11631-00-95	.PISTON (STD)	1	UR
	4V1-11631-00-97	.PISTON (STD)	1	UR
9	4V1-11601-01	.PISTON RING SET (STD)	1	
10	527-11633-00	.PIN, Piston	1	
11	93450-13022	.CIRCLIP	2	
12	4V1-11630-10	PISTON ASSY (1ST O/S)	1	
13	4V1-11635-00	.PISTON (1ST O/S 0.25MM)	1	
14	4V1-11601-11	.PISTON RING SET (1ST O/S)	1	
15	527-11633-00	.PIN, Piston	1	
16	93450-13022	.CIRCLIP	2	
17	4V1-11630-20	PISTON ASSY (2ND O/S)	1	
18	4V1-11636-00	.PISTON (2ND O/S 0.50MM)	1	
19	4V1-11601-21	.PISTON RING SET (2ND O/S)	1	
20	527-11633-00	.PIN, Piston	1	
21	93450-13022	.CIRCLIP	2	
22	4V1-11630-30	PISTON ASSY (3RD O/S)	1	
23	4V1-11637-00	.PISTON (3RD O/S 0.75MM)	1	
24	4V1-11601-31	.PISTON RING SET (3RD O/S)	1	
25	527-11633-00	.PIN, Piston	1	
26	93450-13022	.CIRCLIP	2	
27	4V1-11630-40	PISTON ASSY (4TH O/S)	1	

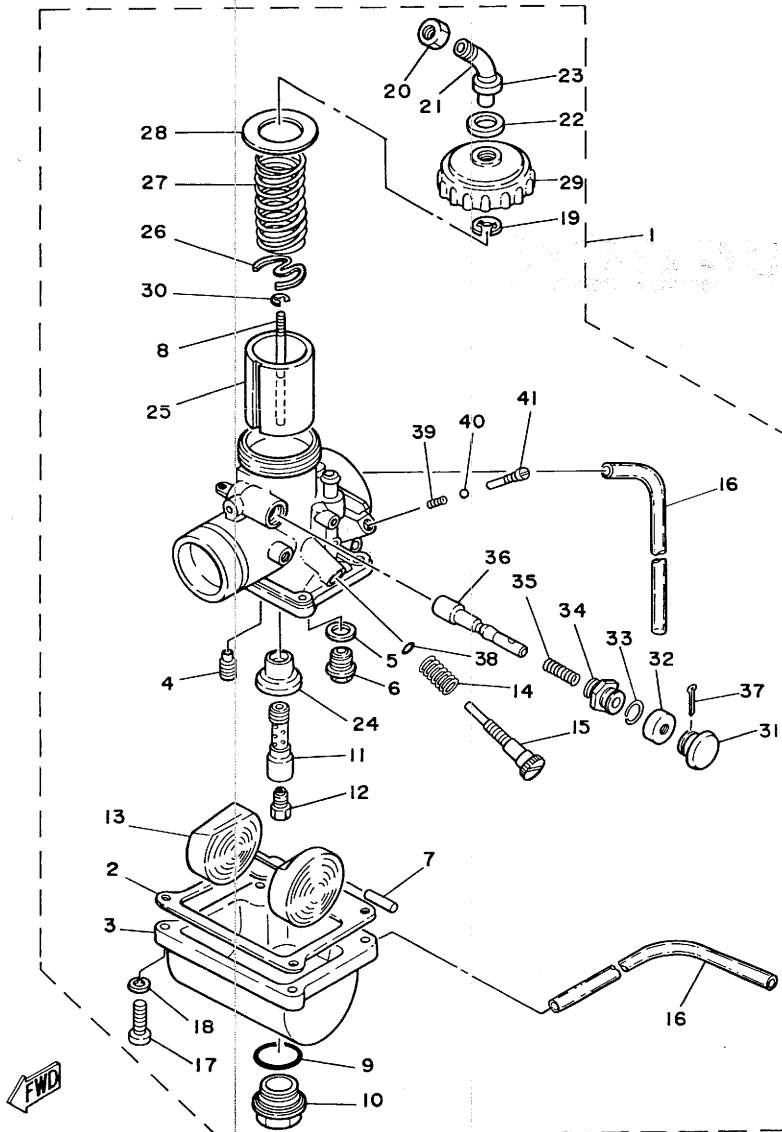
D5

FIG. 30 REPAIR KIT

REF. NO.	PART NO.	DESCRIPTION	Q'TY	REMARKS
28	4V1-11638-00	.PISTON (4TH O/S 1.00MM)	1	
29	4V1-11601-41	.PISTON RING SET (4TH O/S)	1	
30	527-11633-00	.PIN, Piston	1	
31	93450-13022	.CIRCLIP	2	
32	4V1-W0001-00	GASKET KIT	1	
33	4V1-11181-00	.GASKET, cylinder head 1	1	
34	4V0-11351-00	.GASKET, cylinder	1	
35	311-13621-01	.GASKET, valve seat	1	
36	304-14184-00	.GASKET, float chamber	1	
37	152-14613-00	.GASKET, exhaust PiPe	1	
38	90430-12038	.GASKET	1	
39	4V0-15451-00	.GASKET, crankcase cover	1	
40	4V0-15462-00	.GASKET, crankcase cover 3	1	
41	93210-14104	.O-RING	1	
42	90430-06016	.GASKET	1	
43	4V1-W0003-00	OIL SEAL KIT	1	
44	93102-20231	.OIL SEAL	1	
45	93103-28100	.OIL SEAL	1	
46	93109-15001	.OIL SEAL	1	
47	93109-14021	.OIL SEAL	1	
48	93102-20143	.OIL SEAL	1	
49	93109-12012	.OIL SEAL	1	

FOR SWEDEN

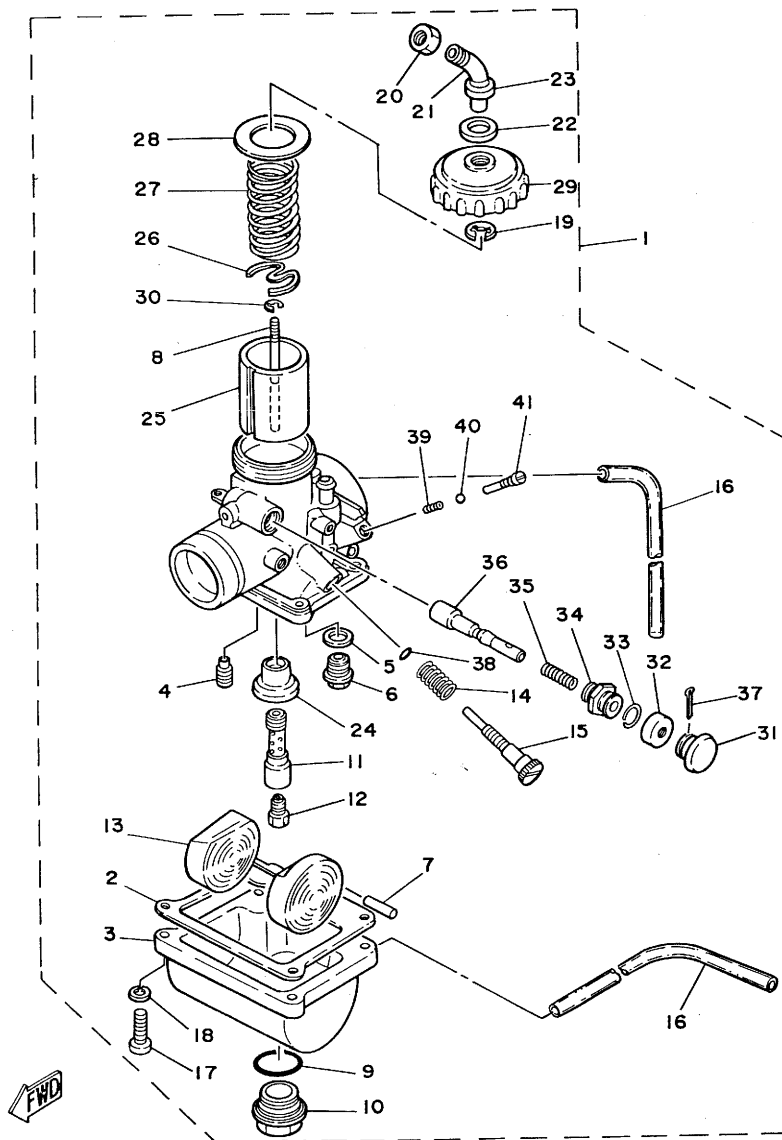
FIG. 31 CARBURETOR



REF. NO.	PART NO.	DESCRIPTION	Q'TY	REMARKS
1	4V1-14101-10	CARBURETOR ASSY 1	1	
2	304-14184-00	•GASKET, float chamber	1	
3	539-14181-08	•BODY, float chamber 1	1	
4	260-14142-35	•JET, Pilot (#35.0)	1	
5	214-14195-00	•WASHER, needle valve	1	
6	168-14190-25	•NEEDLE VALVE ASSY	1	
7	127-14186-00	•PIN, float	1	
8	1J7-14116-16	•NEEDLE	1	
9	93210-18288	•O-RING	1	
10	3R1-14115-00	•PLUG, screw	1	
11	3R1-14141-30	•NOZZLE, main	1	
12	137-14143-38	•JET, main (#190)	1	UR STD
	137-14143-36	•JET, main (#180)	1	UR
	137-14143-40	•JET, main (#200)	1	UR
13	314-14185-00	•FLOAT	1	
14	493-14133-00	•SPRING, throttle stop	1	
15	443-14122-00	•SCREW, throttle	1	
16	183-14196-00	•PIPE	2	
17	98501-04016	•SCREW, Pan head	4	
18	92902-04100	•WASHER, spring	4	
19	363-14137-00	•CLIP	1	
20	802-14161-00	•NUT, cable adjusting	1	
21	1T9-14155-00	•GUIDE, cable	1	
22	509-14198-00	•GASKET	1	
23	1M1-14169-00	•CAP	1	
24	3R1-14153-00	•WASHER, main Jet	1	
25	2X6-14112-20	•VALVE, throttle 1	1	
26	246-14132-00	•STOPPER, cable	1	

D7

FIG. 31 CARBURETOR



REF. NO.	PART NO.	DESCRIPTION	Q'TY	REMARKS
27	248-14131-00	•SPRING, throttle valve	1	
28	2A6-14126-00	•GASKET	1	
29	2A6-14158-00	•TOP, mixing chamber	1	
30	164-14137-00	•CLIP	1	
31	304-14261-00	•HOLDER	1	
32	132-14173-00	•COVER, Plunger cap	1	
33	353-14138-00	•CLIP, Plunger	1	
34	152-14174-00	•CAP, Plunger	1	
35	156-14135-00	•SPRING, Plunger	1	
36	304-14171-00	•PLUNGER, starter	1	
37	91402-16015	•PIN, cotter	1	
38	214-14147-00	•O-RING	1	
39	174-14134-00	•SPRING, air adjusting	1	
40	354-14147-00	•O-RING	1	
41	525-14123-00	•SCREW, air adjusting	1	

D8

INDEX

NUMERICAL INDEX

PART NO.	REF. NO.
4V1-W0001-00	30-32
4V1-W0003-00	30-43
4V1-11111-00	1- 1
4V1-11181-00	1- 2
	30-33
4V1-11311-00	1- 4
4V0-11351-00	1- 5
	30-34
4V0-11400-01	2- 1
4V0-11412-00	2- 2
4V0-11422-00	2- 3
4V1-11601-01	2-10
	30- 9
4V1-11601-11	2-10
	30-14
4V1-11601-21	2-10
	30-19
4V1-11601-31	2-10
	30-24
4V1-11601-41	2-10
	30-29
4V1-11630-00	30- 7
4V1-11630-10	30-12
4V1-11630-20	30-17
4V1-11630-30	30-22
4V1-11630-40	30-27
4V1-11631-00-95	2- 8
	30- 8
4V1-11631-00-97	2- 8
	30- 8
527-11633-00	2- 9
	30-10
	30-15
	30-20
	30-25
	30-30
4V1-11635-00	2- 8
	30-13
4V1-11636-00	2- 8
	30-18
4V1-11637-00	2- 8
	30-23
4V1-11638-00	2- 8
	30-28
4V0-11650-00	30- 1
4V0-11651-02	2- 4
	30- 2
4V0-11681-00	2- 6

PART NO.	REF. NO.
4V0-11681-00	30- 4
353-13115-01	7- 4
3R1-13565-01	4- 6
1L8-13610-00	4- 1
1L8-13613-00	4- 2
311-13616-01	4- 3
311-13621-01	4- 5
	30-35
4V1-14101-00	5- 1
4V1-14101-10	31- 1
2X6-14112-20	31-25
314-14112-20	5-25
3R1-14115-00	5-10
	31-10
1J7-14116-16	5- 8
	31- 8
443-14122-00	5-15
	31-15
525-14123-00	5-41
	31-41
2A6-14126-00	5-28
	31-28
248-14131-00	5-27
	31-27
246-14132-00	5-26
	31-26
493-14133-00	5-14
	31-14
174-14134-00	5-39
	31-39
156-14135-00	5-35
	31-35
164-14137-00	5-30
	31-30
363-14137-00	5-19
	31-19
353-14138-00	5-33
	31-33
3R1-14141-30	5-11
	31-11
260-14142-35	5- 4
	31- 4
137-14143-36	5-12
	31-12
137-14143-38	5-12
	31-12
137-14143-40	5-12
	31-12

PART NO.	REF. NO.
214-14147-00	5-38
	31-38
354-14147-00	5-40
	31-40
3R1-14153-00	5-24
	31-24
1T9-14155-00	5-21
	31-21
2A6-14158-00	5-29
	31-29
802-14161-00	5-20
	31-20
1M1-14169-00	5-23
	31-23
304-14171-00	5-36
	31-36
132-14173-00	5-32
	31-32
152-14174-00	5-34
	31-34
539-14181-08	5- 3
	31- 3
304-14184-00	5- 2
	30-36
	31- 2
314-14185-00	5-13
	31-13
127-14186-00	5- 7
	31- 7
168-14190-25	5- 6
	31- 6
214-14195-00	5- 5
	31- 5
183-14196-00	5-16
	31-16
509-14198-00	5-22
	31-22
304-14261-00	5-31
	31-31
4V1-14401-00	4-11
4V1-14412-00	4-14
4V1-14451-00	4-12
4V1-14452-00	4-15
4V1-14458-00	4-13
4V1-14610-00	6- 1
152-14613-00	6- 4
	30-37
4V1-14718-01	6- 2

PART NO.	REF. NO.
4V1-14753-00	6-13
565-14771-00	6- 8
3R0-14788-00	6-12
4V0-15111-00	7- 1
4V0-15113-00	7- 9
4V0-15121-00	7- 7
4J2-15363-00	8- 8
3R4-15383-00	11- 7
4V0-15411-00	8- 1
4V0-15421-00	8- 4
4V0-15451-00	8- 2
	30-39
4V0-15462-00	8- 5
	30-40
4V0-15618-00	9-17
4V0-15620-00	9-11
4V0-15621-00	9-12
4V0-15641-00	9- 2
4V0-15651-00	9- 8
4V0-15660-00	9- 1
4V0-15664-00	9- 6
4V0-16111-00	10- 1
4V1-16150-00	10- 7
4V0-16154-00	10-14
4V1-16300-01	10- 6
4V0-16321-00	10-11
598-16324-00	10-10
4Y2-16351-00	10- 9
137-16356-00	10-18
2X3-16357-00	10-19
1V1-16371-01	10- 8
4V1-16380-00	10-25
4V0-17121-00	11- 5
4V0-17131-00	11- 3
4V0-17151-02	11- 2
4V0-17161-01	11- 4
4V0-17211-00	11-15
4V0-17221-00	11-10
4V0-17231-00	11-12
4V0-17241-00	11-13
4V0-17251-01	11-14
4V0-17261-01	11-11
4V0-17411-00	11- 1
4V0-17421-00	11- 9
164-17427-00-06	11-17
174-17461-20	11-23
174-17461-30	11-23
174-17461-40	11-23

NUMERICAL INDEX

PART NO.	REF. NO.
4V0-18101-00	13- 1
4V0-18111-00	13- 6
132-18113-01	13- 7
102-18137-00-10	9- 9
4V0-18148-00	12- 7
3R4-18185-00	12- 2
4V0-18511-00	12-10
4V0-18512-00	12-11
4V0-18513-00	12-12
3R4-18531-00	12-14
3R4-18535-00	12-15
4V0-18540-00	12- 1
3R4-18561-00	12- 3
4V1-21110-00-33	14- 1
	9-17
3R1-21511-10	15- 1
4V1-21611-10	15- 6
4V1-21621-00	15- 7
4V1-21711-10	16- 1
4V1-21721-10	16- 7
3R1-21781-00	16- 3
	16- 8
4V1-22110-00-35	17- 1
401-22127-00	17- 9
401-22128-01	17-10
2X6-22129-00	18-18
4V1-22141-00	17- 2
4V1-22151-00	17-11
2X6-22178-00	14- 6
4V0-22179-00	17-13
	10- 8
4V0-22199-00	17-12
4V1-22210-00	18- 1
	11- 3
4V1-22210-10	11- 2
4V1-22212-00	18-11
4V1-22212-10	11-12
3R1-22214-00	18- 9
	11-11
	11- 1
	11- 9
2X6-22216-00	18- 3
	18- 6

PART NO.	REF. NO.
4V1-22224-00	18-10
	18-12
4V1-22262-00	18-19
4V1-22401-00	18- 2
	18-13
2X6-22472-01	18- 7
2X6-22473-00	18- 5
3R1-22475-00	18- 4
2X6-22493-00	18- 8
4V1-23101-L0	20- 1
4V1-23110-L0-93	20-11
4V1-23111-L0	20-22
3R1-23113-70	29- 1
4V1-23113-00	20-28
1E7-23114-00	20-23
2A6-23119-00	20- 8

NUMERICAL INDEX

PART NO.	REF. NO.	PART NO.	REF. NO.	PART NO.	REF. NO.
4V1-23130-L0	20- 3	156-23412-00	19- 6	583-26242-00	25- 2
		122-23416-00	19-11	322-26243-00	25- 3
4V1-23135-L0	20- 4	3R1-23435-00-98	19-14	1W1-26249-00	25- 4
		1E6-23441-00-98	19-20	322-26281-00-98	25- 6
4V1-23140-L0	20- 2	164-23462-00	19- 2	322-26282-00-98	25- 7
		3R0-23485-00	19-22	4V1-26311-00	25- 9
4V1-23143-L0	20-13	2X4-23489-00	19-23	4V1-26335-00	25-12
		4V1-24110-10	21- 1	4V1-26341-00	25-10
4V1-23144-L0	20-14	4V1-24157-01	21- 2	382-26372-01	25-11
		3R3-24173-00	21-10		25-13
4V1-23145-L0	20- 6	3R1-24181-00	21-25	4V1-27211-00	26- 1
		431-24181-00	16- 2	4V1-27231-00	26- 6
4V1-23146-L0	20- 7	4V1-24183-00	21-26	4V1-27311-00-R4	26-12
		156-24186-00	15-11	3R1-27411-00	26-16
3H3-23147-00	20-21	4V1-24244-29	21-27	3R1-27421-00	26-26
		2K5-24500-00	21-15	4V0-27422-00-33	26-21
4V1-23147-L0	20- 5	1A0-24512-00	21-18	2X6-28100-10	14-10
		214-24512-00	21-16	1M1-28137-00	14-11
2X6-23151-00	20-16	1A0-24524-01	21-19	109-81328-11	3-10
		1A0-24529-01	21-17	2K7-82310-10	27- 1
4V1-23156-L0	20-10	619-24535-00	21-20	3R0-82370-20	27- 5
		1W1-24611-00	21-12	8E7-82370-11	27- 5
1E7-23157-00	20-15	1W1-24612-00	21-13	4V0-82519-00	28-14
		4V1-24770-00	22- 1	214-82911-01	28- 1
1L9-23166-00	20-17	4V1-24771-00	22- 2	233-82921-31	28- 7
		4V1-25104-00	23-18	3M2-83912-00	28- 2
3M7-23181-00	20-18	462-25111-01-98	23- 1	3M2-83922-00	28- 8
		462-25115-00	23- 6	437-83936-00	28-15
4V1-23184-L0	20-19	462-25118-00	23-23	437-83936-10	25-16
		2J5-25121-00-98	23- 7		28-16
3H3-23190-00	20-20	451-25130-00	23- 8	4V1-83976-00	28-13
			24- 9	4V1-85500-10	3- 1
3R1-23317-00	19-19	451-25151-00	23-10	4V1-85510-10	3- 3
4V1-23317-00	20-27	451-25155-00	23-11	4V1-85515-10	3- 9
		2J5-25183-00	23-22	2X6-85540-10	3-18
3R1-23340-00-90	20-24	4V1-25304-00	24-19	3R1-85546-00	3-19
		3R1-25311-01-98	24- 1	4V1-85550-10	3- 2
2A6-23346-00	20-26	109-25315-00	24- 2	2K7-85555-00	14-12
		3R0-25321-00-98	24- 8	2X6-85566-10	3- 4
4V1-23351-L0	20-12	3R0-25351-00	24-11	2X6-85567-10	3- 5
		3R0-25355-10	24-12	90101-06278	24-13
		2J5-25381-01	24-24	90101-06291	23-12
		241-25389-10	24-28	90101-06410	24-29
462-23392-02	20- 9	2J5-25394-00	24-20	90102-12015	23-19
		214-25412-00	24-22	90105-08024	14- 2
		4V1-25442-10-33	24-21	90105-08189	14- 3
122-23411-00	19- 8	4V1-25444-10-33	24-21	90105-14137	19-13
156-23411-00	19- 1	4V1-25446-10-33	24-21	90109-06001	12- 9
122-23412-00	19- 9	2X6-26111-00	25- 1		
		4V4-26241-00	25- 5		

NUMERICAL INDEX

PART NO.	REF. NO.	PART NO.	REF. NO.	PART NO.	REF. NO.
90109-06410	28- 3	90386-18099	17- 5	91830-21014	8- 6
	28- 9	90387-07598	21- 6	91830-22016	7- 6
	26-13	90387-12670	24-25	92501-06012	7-10
90109-08063	6- 5	90387-127A0	17- 7		19- 4
90116-08166	1- 6	90387-127A1	17- 6	92501-06015	4-16
90116-08232	24- 7	90387-20175	10- 2		16- 4
90116-08283	25-14	90430-06016	30-42		16- 9
90123-08013	21-22			92501-06020	3-14
90149-06011	24-23	90430-12038	7-12		17-14
90170-08158	10-17		30-38		18-20
90170-12060	23-20	90445-08376	7- 5	92501-06025	27- 2
90171-12005	24-26	90445-09104	21-14	92502-06016	15- 8
	26-11	90445-11150	21-23		
90175-06013	25-15	90446-09158	19-24	92506-06025	8- 3
90179-08148	1- 7	90460-43053	4- 9		8- 7
90179-08320	3-17	90460-51059	4-10	92506-06035	7- 3
90179-10257	9-18	90462-14055	19- 3	92506-06045	7- 2
90179-10272	10- 5			92701-06012	11- 8
90179-12302	19-12	90467-10008	21-24	92901-04100	3-12
90179-25033	14- 5	90468-26046	9- 3	92901-04600	3-13
90185-08054	10-15	90480-13197	4-18	92901-05100	3- 7
90201-05775	14- 9	90480-15215	26- 3	92901-05600	3- 8
90201-06052	4-21	90480-18290	21- 5	92901-06100	3-15
90201-06067	15- 2	90501-10245	26- 9		4-20
	15-10	90501-12081	9-14		6-10
	16- 6	90501-20125	10-12		14- 8
	16-11	90506-14081	23- 9		16- 5
	21- 7		24-10		16-10
90201-06072	26-28	90506-28100	26-14		17-15
90201-10144	9-15	90508-18463	10-24		17-18
90201-12631	10-23	90508-20023	26-17		17-20
90201-14411	9- 4		26-25		19- 5
90201-154A1	21-21	90508-26462	12- 8		21- 4
90202-06010	10- 4	90508-26464	9- 5		21- 9
90208-12015	10-16	90508-29465	13- 3		27- 3
	15- 3	90508-32468	26- 2		28- 6
90209-06187	2- 7	90560-12138	23- 2		28-12
90209-18112	30- 5	90560-12170	24- 3	92901-06600	3-16
	18-14	91401-20012	26- 8		4- 8
90240-10064	18-15	91401-25012	26-20		4-17
90240-10073	26-10		26-24		6-11
90249-12008	12-13	91401-25020	18-17		17-16
90250-06013	2-13	91401-30022	24-27		18-21
90280-03017	12- 5	91401-30025	23-21		26- 7
90282-04036	10- 3	91402-16015	5-37		27- 4
90282-05034	7- 8		31-37	92901-08100	6- 6
90338-07011			26-18		15-14
		91701-08038	26-22		19-17
90340-12059	7-11				

NUMERICAL INDEX

PART NO.	REF. NO.	PART NO.	REF. NO.	PART NO.	REF. NO.
92901-08200	14- 4	93410-20038	11-16	97301-08020	15-12
92901-08600	19-16	93430-08007	9-16	97301-08050	19-15
	26-19	93430-09019	26- 4	97302-06020	15- 4
	26-23	93430-10016	13- 2	97311-10016	26-27
92901-10600	18-16	93440-15012	11-18	97321-06020	13- 8
92901-12100	17- 4	93440-16089	11- 6	97321-06030	21- 8
92902-04100	5-18	93450-13022	2-11	97602-03108	4- 4
	31-18		30-11	98501-04008	3-11
92902-06100	15- 5		30-16	98501-04016	5-17
	15- 9		30-21		31-17
92902-08100	20-25		30-26	98501-05016	25- 8
			30-31	98502-05030	3- 6
92902-12600	26- 5	93501-04011	19- 7	98701-05016	12- 6
93102-20143	11-22	93503-16010	10-20	98701-05020	10-13
	30-48		19-10	98902-06016	21-11
93102-20231	2-15	93507-32009	9-13	98903-06008	6- 3
	30-44	93608-30128	13- 4		
93103-28100	2-16	94127-17666	23-14		
	30-45	94141-14665	24-15		
93106-18013	23- 5	94227-17152	23-15		
93106-20002	24- 6	94241-14175	24-16		
93109-12012	13- 5	94327-17103	23-16		
	30-49	94336-14102	24-17		
93109-14021	10-22	94414-17272	23-17		
	30-47	94416-14273	24-18		
93109-15001	9- 7	94580-24108	24-31		
	30-46	94680-24001	24-32		
93109-18020	17- 8	*	1- 3		
93210-14104	8- 9	95301-06600	14- 7		
	30-41		23-13		
93210-18288	5- 9		24-14		
	31- 9		24-30		
93306-00104	23- 4	95301-08600	6- 7		
93306-00105	23- 3		15-13		
93306-00422	12- 4	95301-08700	26-15		
93306-20303	11-19	95301-08800	19-18		
93306-20401	11-21	95311-12700	17- 3		
93306-20418	2-14	95601-06100	28- 4		
93306-30101	24- 4		28-10		
93306-30105	24- 5	95821-08035	19-21		
93310-212H4	2-12	97301-06012	4-19		
	30- 6		17-17		
93310-418U1	2- 5		21- 3		
	30- 3	97301-06016	6- 9		
93315-21429	10-21	97301-06022	28- 5		
93315-31502	11-20		28-11		
93410-12003	9-10	97301-06025	4- 7		
93410-18062	11-24	97301-06045	17-19		

PARTS NAME INDEX

DESCRIPTION	REF. NO.
AIR CLEANER CASE ASSY	4-11
AIR VALVE COMP.	20-20
ARM, tansioner	17-13
AXLE, drive	11- 9
AXLE, main (13T)	11- 1
AXLE, wheel	24-24
BALL	9-13
*	10-20
*	19- 7
*	19-10
BAND	3-19
*	19-23
BAND, rim (2.75-17)	23-16
BAND, rim (3.60-14)	24-17
BAND, silencer	6-12
BAND, switch cord	25-16
*	28-15
*	28-16
BAND, tank fitting 1	21-10
BAR, shift fork guide 1	12-14
BAR, shift fork guide 2	12-15
BEARING	12- 4
*	24- 5
BEARING (B6001)	23- 3
BEARING (B6001RS)	23- 4
BEARING (B6203Z)	11-19
BEARING (B6204)	11-21
BEARING (B6204CS)	2-14
BEARING (B6301)	24- 4
BEARING, cylindrical	2- 5
*	2-12
*	10-21
*	11-20
*	30- 3
*	30- 6
BODY, caP	21-12
BODY, float chamber 1	5- 3
*	31- 3
BOLT	4- 7
*	4-19
*	6- 9
*	12- 9
*	13- 8
*	15- 4
*	15-12

PARTS NAME INDEX

DESCRIPTION	REF. NO.
BOLT	17-17
*	17-19
*	19-15
*	21- 3
*	21- 8
*	23-12
*	24-13
*	24-29
*	25-14
*	26-13
*	26-27
*	28- 3
*	28- 5
*	28- 9
*	28-11
BOLT 1	20-26
BOLT, caP	20-22
BOLT, flange	19-21
BOLT, hexagon socket head	20-18
BOLT, stud	1- 6
*	6- 5
*	24- 7
BOLT, washer based	14- 2
*	14- 3
*	19-13
BOLT, with hole	23-19
BOSS, clutch	10- 8
BOSS, kick crank	9-12
BRACKET, footrest 2	26-21
BRAKE SHOE COMP.	23- 8
*	24- 9
BUSH	17- 5
BUSH, rear shock absorber	18- 3
*	18- 6
C.D.I. MAGNETO ASSY	3- 1
C.D.I. UNIT ASSY	3-18
CABLE, brake	25-10
CABLE, clutch	25-12
CABLE, throttle 1	25- 9

PARTS NAME INDEX

DESCRIPTION	REF. NO.
CAMSHAFT	23-10
*	24-11
CAP	5-23
*	31-23
CAP, air valve	20-19
CAP, case	18- 7
CAP, cleaner case 1	4-14
CAP, grip lower	25- 7
CAP, grip upper	25- 6
CAP, plunger	5-34
*	31-34
CARBURETOR ASSY 1	5- 1
*	31- 1
CHAIN	24-31
CIRCLIP	2-11
*	9-10
*	9-16
*	11- 6
*	11-16
*	11-18
*	11-24
*	13- 2
*	26- 4
*	30-11
*	30-16
*	30-21
*	30-26
*	30-31
CLAMP	3-10
*	19- 3
CLAMP, hose	4- 9
*	4-10
CLIP	5-19
*	5-30
*	9- 3
*	21-24
*	31-19
*	31-30
CLIP, oil seal	20-10
CLIP, plunger	5-33
*	31-33
CLUTCH ASSY	10- 6

PARTS NAME INDEX

DESCRIPTION	REF. NO.
CDIL, charge 1	3- 4
CDIL, charge 2	3- 5
COLLAR	10- 2
*	17- 6
*	17- 7
*	20-28
*	21- 6
*	24-25
*	29- 1
COLLAR, wheel	23-22
CONNECTING ROD ASSY	30- 1
CONNECTOR, suction Pipe	7- 4
COVER, ball race 2	19-11
COVER, crankcase 1	8- 1
COVER, crankcase 2	8- 4
COVER, handle lever	25-11
*	25-13
COVER, hub dust	23-23
COVER, kick lever	9-17
COVER, Plunger cap	5-32
*	31-32
COVER, semi-double seat	22- 2
COVER, shift Pedal	13- 7
COVER, side (L.H)	16- 1
COVER, side (R.H)	16- 7
COVER, thrust 2	18-18
CRANK 1	2- 2
CRANK 2	2- 3
CRANKCASE 1	7- 1
CRANKCASE 2	7- 7
CRANKSHAFT ASSY	2- 1
CROWN, handle	19-14
CYLINDER 1	1- 4
DAMPER, locating 1	16- 2
*	21-25
DAMPER, locating 3	21-26
DUMPER SUB ASSY	18- 2
ELEMENT, air cleaner	4-12
EMBLEM 1	16- 3
*	16- 8
EXHAUST PIPE ASSY 1	6- 1
FENDER, front	15- 1
FENDER, rear	15- 6
FLANGE, sPacer	24- 2
FLANGE, sPacer 1	23- 6
FLAP	15- 7

PARTS NAME INDEX

DESCRIPTION	REF. NO.
FLOAT	5-13
*	31-13
FOOTREST 1	26-16
FOOTREST 2	26-26
FORK UNIT ASSY	20- 3
FORK UNIT ASSY 2	20- 2
FORK, shift 1	12-10
FORK, shift 2	12-11
FORK, shift 3	12-12
FRAME COMP	14- 1
FRONT FORK ASSY	20- 1
FUEL COCK ASSY 1	21-15
FUEL TANK COMP.	21- 1
GASKET	5-22
*	5-28
*	7-12
*	20-23
*	21-16
*	30-38
*	30-42
*	31-22
*	31-28
GASKET KIT	30-32
GASKET, cap	21-13
GASKET, crankcase cover	8- 2
*	30-39
GASKET, crankcase cover 3	8- 5
*	30-40
GASKET, cylinder	1- 5
*	30-34
GASKET, cylinder head 1	1- 2
*	30-33
GASKET, exhaust Pipe	6- 4
*	30-37
GASKET, float chamber	5- 2
*	30-36
*	31- 2
GASKET, valve seat	4- 5
*	30-35
GEAR, kick (24T)	9- 2
GEAR, Primary drive	10- 1
GEAR, sProcket idle (25T)	9- 8
GEAR, 1st wheel (36T)	11-15

PARTS NAME INDEX

DESCRIPTION	REF. NO.
GEAR, 2nd Pinion (16T)	11- 5
GEAR, 2nd wheel (33T)	11-10
GEAR, 3rd wheel (31T)	11-12
GEAR, 3rd/4th Pinion (19T,21T)	11- 3
GEAR, 4th wheel (28T)	11-13
GEAR, 5th Pinion (20T)	11- 2
GEAR, 5th wheel (23T)	11-14
GEAR, 6th Pinion (24T)	11- 4
GEAR, 6th wheel (25T)	11-11
GRAPHIC, fuel tank 1	21-27
GRIP (L.H)	25- 5
GRIP (R.H)	25- 2
GROMMET	4-18
*	21- 5
*	26- 3
GUIDE	4-13
GUIDE, cable	5-21
*	31-21
GUIDE, sPring	9- 6
GUIDE, sPring 1	18- 9
GUIDE, sPring 2	18-10
GUIDE, sPring 3	18-12
HANDLEBAR	25- 1
HEAD, cylinder 1	1- 1
HOLDER	5-31
*	31-31
HOLDER, cable	19-19
*	20-27
HOLDER, handle upper	19-20
HOLDER, lever 1	28- 1
HOLDER, lever 2	28- 7
HOLDER, sub tank	18-19
HOSE	7- 5
*	19-24
*	21-14
*	21-23
HUB, front	23- 1
HUB, rear	24- 1

PARTS NAME INDEX

DESCRIPTION	REF. NO.
IGNITION COIL ASSY	27- 1
INNER TUBE COMP.1	20-11
JET, main (#180)	5-12
*	31-12
JET, main (#190)	5-12
*	31-12
JET, main (#200)	5-12
*	31-12
JET, Pilot (#35.0)	5- 4
*	31- 4
JOINT, carburetor	4- 6
JOINT, chain	24-32
KEY, straight	10- 3
*	12- 5
KEY, woodruff	2-13
KICK AXLE ASSY	9- 1
KICK CRANK ASSY	9-11
LEAD WIRE ASSY	3- 9
LEVER 1	28- 2
LEVER 2	28- 8
LEVER, camshaft	24-12
LEVER, camshaft 1	23-11
LEVER, cock	21-19
LEVER, stopper	12- 7
METAL, slide 2	20- 4
NEEDLE	5- 8
*	31- 8
NEEDLE VALVE ASSY	5- 6
*	31- 6
NOZZLE, main	5-11
*	31-11
NUT	1- 7
*	3-17
*	6- 7
*	9-18
*	10- 5
*	10-17
*	14- 7
*	15-13
*	17- 3
*	19-12
*	23-13
*	24-14
*	24-23
*	24-30
*	25-15

PARTS NAME INDEX

DESCRIPTION	REF. NO.
NUT	26-15
NUT, cable adjusting	5-20
*	31-20
NUT, castle	23-20
*	24-26
NUT, crown	19-18
NUT, self-locking	14- 5
NUT, u	28- 4
*	28-10
NUT, wing	26-11
O-RING	5- 9
*	5-38
*	5-40
*	8- 9
*	20- 5
*	20-21
*	21-18
*	30-41
*	31- 9
*	31-38
*	31-40
OIL SEAL	2-15
*	2-16
*	9- 7
*	10-22
*	11-22
*	13- 5
*	17- 8
*	20- 6
*	23- 5
*	24- 6
*	30-44
*	30-45
*	30-46
*	30-47
*	30-48
*	30-49
*	32- 6
OIL SEAL KIT	30-43
PEDAL, brake	26- 1
PEDAL, shift	13- 6
PIN	26-10
PIN, clevis	18-14
*	18-15
*	26-18
*	26-22

PARTS NAME INDEX

DESCRIPTION	REF. NO.
PIN, cotter	5-37
*	18-17
*	23-21
*	24-27
*	26- 8
*	26-20
*	26-24
*	31-37
PIN, crank 1	2- 6
*	30- 4
PIN, dowel	7- 6
*	8- 6
*	13- 4
PIN, float	5- 7
*	31- 7
PIN, Piston	2- 9
*	30-10
*	30-15
*	30-20
*	30-25
*	30-30
PIN, straight	12-13
PIPE	5-16
*	31-16
PISTON (STD)	2- 8
*	2- 8
*	30- 8
*	30- 8
PISTON (1ST O/S 0.25MM)	2- 8
*	30-13
PISTON (2ND O/S 0.50MM)	2- 8
*	30-18
PISTON (3RD O/S 0.75MM)	2- 8
*	30-23
PISTON (4TH O/S 1.00MM)	2- 8
*	30-28
PISTON ASSY (STD)	30- 7
PISTON ASSY (1ST O/S)	30-12
PISTON ASSY (2ND O/S)	30-17
PISTON ASSY (3RD O/S)	30-22
PISTON ASSY (4TH O/S)	30-27
PISTON RING SET (STD)	2-10
*	30- 9
PISTON RING SET (1ST O/S)	2-10
*	30-14
PISTON RING SET (2ND O/S)	2-10
*	30-19
PISTON RING SET (3RD O/S)	2-10

PARTS NAME INDEX

DESCRIPTION	REF. NO.
PISTON RING SET (3RD O/S)	30-24
PISTON RING SET (4TH O/S)	2-10
*	30-29
PLATE	7- 9
PLATE, bearing cover	11- 7
PLATE, brake shoe	23- 7
*	24- 8
PLATE, clutch 1	10-10
PLATE, friction	10-11
PLATE, number	19-22
PLATE, Pressure 1	10- 9
PLATE, side 1	12- 3
PLATE, thrust 1	10-14
PLUG	7- 8
PLUG CAP ASSY	27- 5
*	27- 5
PLUG, drain	20- 8
PLUG, oil	8- 8
PLUG, screw	5-10
*	31-10
PLUG, sPark (CHAMPION N2)	1- 3
PLUG, straight screw	7-11
PLUNGER, starter	5-36
*	31-36
PRIMARY DRIVEN GEAR COMP.(68T)	10- 7
PROTECTOR, muffler 1	6- 2
PULLER, chain 2	24-28
PULLER, rotor	14-12
PUSH LEVER ASSY	10-25
RACE, ball 1	19- 1
*	19- 8
RACE, ball 2	19- 6
*	19- 9
REAR ARM COMP.	17- 1
REED VALVE ASSY	4- 1
REED, valve	4- 2
RIM (1.40-17)	23-17
RIM (1.60-14)	24-18
RING, leaf	25- 4
RING, Piston	20-15
ROD, brake	26- 6
ROD, connecting	2- 4
*	30- 2
ROD, Push 1	10-18
ROD, Push 2	10-19

PARTS NAME INDEX

DESCRIPTION	REF. NO.
ROTOR ASSY	3- 2
SCREW	21-22
SCREW, air adjusting	5-41
*	31-41
SCREW, bind	6- 3
*	21-11
SCREW, flat head	10-13
*	11- 8
*	12- 6
SCREW, lever fitting	21-20
SCREW, Pan head	3- 6
*	3-11
*	3-14
*	4-16
*	5-17
*	7- 2
*	7- 3
*	7-10
*	8- 3
*	8- 7
*	15- 8
*	16- 4
*	16- 9
*	17-14
*	18-20
*	19- 4
*	25- 8
*	27- 2
*	31-17
SCREW, Pan head with washer	4- 4
SCREW, throttle	5-15
*	31-15
SEAL	4-15
SEAL, dust	18- 4
*	20-14
SEAL, Guard	17-10
*	17-11
SEAL, housing	18- 5
SEAL, steering	19- 2
SEAT, sPring lower	20-13

PARTS NAME INDEX

DESCRIPTION	REF. NO.
SEGMENT	12- 2
SEMI-DOUBLE SEAT ASSY	22- 1
SHAFT, Pivot	17- 2
SHIFT CAM ASSY	12- 1
SHIFT SHAFT ASSY	13- 1
SHIM	17- 9
SHIM 1 (0.6T)	11-17
SHOCK ABSORBER ASSY, rear	18- 1
SILENCER, exhaust	6-13
SPACER	23- 2
*	24- 3
SPACER, bead	24-20
SPOKE SET, front	23-18
SPOKE SET, rear	24-19
SPRING	18-11
*	20-12
*	21-17
SPRING SEAT SUB ASSY	18-13
SPRING SEAT WRENCH	14-11
SPRING, air adjusting	5-39
*	31-39
SPRING, compression	9-14
*	10-12
*	26- 9
SPRING, Plunger	5-35
*	31-35
SPRING, rebound	20-16
SPRING, tension	23- 9
*	24-10
*	26-14
SPRING, throttle stop	5-14
*	31-14
SPRING, throttle valve	5-27
*	31-27
SPRING, torsion	9- 5

PARTS NAME INDEX

DESCRIPTION	REF. NO.
SPRING, torsion	10-24
*	12- 8
*	13- 3
*	26- 2
*	26-17
*	26-25
SPROCKET, drive (12T)	11-23
SPROCKET, drive (13T)	11-23
SPROCKET, drive (14T)	11-23
SPROCKET, driven (42T)	24-21
SPROCKET, driven (44T)	24-21
SPROCKET, driven (46T)	24-21
STAND, side	26-12
STATOR ASSY	3- 3
STAY, fuel tank 1	21- 2
STAY, muffler 1	6- 8
STOPPER, bump	18- 8
STOPPER, cable	5-26
*	31-26
STOPPER, reed valve	4- 3
SUPPORT, chain	17-12
SWITCH, handle 1	28-13
TAPER, sPindle	20-17
TENSIONER	14- 6
TIRE (2.75-17)	23-14
TIRE (4.10-14)	24-15
TOOL KIT	14-10
TOP, mixing chamber	5-29
*	31-29
TUBE (2.75-17)	23-15
TUBE (4.10-14)	24-16
TUBE, throttle guide	25- 3
UNDER BRACKET COMP.	20-24
VALVE, throttle 1	5-25
*	31-25
WASHER	2- 7
*	15- 3
*	24-22
*	30- 5
*	9- 9
WASHER 1	9- 9
WASHER, conical sPring	10- 4
*	10-16
WASHER, main Jet	5-24

PARTS NAME INDEX

DESCRIPTION	REF. NO.
WASHER, main Jet	31-24
WASHER, needle valve	5- 5
*	31- 5
WASHER, oil seal	20- 7
WASHER, Plain	14- 4
WASHER, Plate	3- 8
*	3-13
*	3-16
*	4- 8
*	4-17
*	4-21
*	6-11
*	9- 4
*	9-15
*	10-15
*	10-23
*	14- 9
*	15- 2
*	15-10
*	16- 6
*	16-11
*	17-16
*	18-16
*	18-21
*	19-16
*	21- 7
*	21-21
*	26- 5
*	26- 7
*	26-19
*	26-23
*	26-28
*	27- 4
WASHER, sPecial	15-11
*	20- 9
WASHER, sPring	3- 7
*	3-12
*	3-15
*	4-20
*	5-18
*	6- 6
*	6-10
*	14- 8
*	15- 5
*	15- 9
*	15-14

PARTS NAME INDEX

DESCRIPTION	REF. NO.
WASHER, sPring	16- 5
*	16-10
*	17- 4
*	17-15
*	17-18
*	17-20
*	19- 5
*	19-17
*	20-25
*	21- 4
*	21- 9
*	27- 3
*	28- 6
*	28-12
*	31-18
WIRE, earth lead	28-14

