

YAMAHA

PARTS CATALOGUE

YZ80L (43K) (79cm³)

YZ80L
43K 79cm³

1443K-300E1



FOREWORD

This Parts Catalogue is related to the parts in use for the Yamaha YZ 80L (43K).
When you are ordering replacement parts for the YZ 80L (43K), refer to this Parts Catalogue and quote both part numbers and part names correctly.

1. Modifications or additions which have been made after issue of the Parts Catalogue will be announced in the Yamaha Parts News.

It is advisable that according to the Yamaha Parts News you make necessary corrections to the Parts Catalogue on hand to keep it up-to-date.

2. Abbreviations

The following abbreviations are used in this Parts Catalogue.

U.R. Use size (thickness) and/or number as required.

U.N. Use as many as you need.

A.P. Alternate Parts

L.M. Local Made

F# Frame No. (Applicable machine No.)

3. The parts marked with (*) in the parts number column of this Catalogue are not supplied with by Yamaha, those have to be found locally.

4. Parts, which are to be supplied in the form of assemblies, are listed with an indentation of one letter's space, and a dot (.) is put against the name of each part.

EXAMPLE CARBURETOR ASS'Y
 . JET, pilot
 . NOZZLE, main

5. Indication of No. of constituent parts for assembly

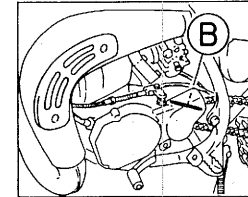
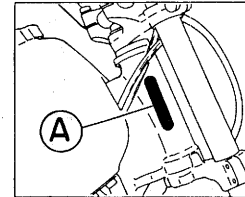
The numeral appearing to the right of each constituent part under the description indicates the quantity of such parts for each individual assembly unit.

EXAMPLE

Part No.	Description	Q'ty	Remarks
2F5-83310-60	FRONT FLASHER LIGHT ASS'Y	2	
115-83311-60	. BULB (6V-18W)	1	
1M1-83309-60	. REFLECTOR	1	

6. Initial Serial No. and Color Code

(A) Frame Serial No.	43K-000101 and following
(B) Engine Serial No.	43K-000101 and following



Color Code	Color Name	Abbreviate
36	Clean White	W

7. Applicable colors of graphics are represented in the "Remarks" column by the letter(s) appropriately picked out of the full word(s) showing such colors.

EXAMPLE

Part No.	Description	Q'ty	Remarks
2N4-24110-00-X5	FUEL TANK COMP.	1	MAXIM RED
3J1-24240-10	. GRAPHIC, fuel tank set	1	for MXR

CONTENTS

ENGINE

Cylinder Head	B2
Crankshaft · Piston	B3 ~ B4
Water Pump	B5
Radiator Hose	B6
Intake	B7 ~ B8
Carburetor	B9
Exhaust	B10
Crankcase	B11
Crankcase Cover 1	B12
Starter	B13
Clutch	B14
Transmission	B15
Shift Cam · Fork	C2
Shift Shaft	C3

CHASSIS

Frame	C4
Fender	C5
Side Cover	C6
Rear Arm	C7 ~ C8
Rear Suspension	C9 ~ C10
Steering	C11
Front Fork	C12 ~ C13
Fuel Tank	C14
Seat	C15
Front Wheel	D2
Rear Wheel	D3 ~ D4
Steering Handle · Cable	D5
Stand · Footrest	D6 ~ D7

Generator	D8
Handle Switch · Lever	D9
Electrical 1	D10

ALTERNATE PARTS

Alternate (Chassis)	D11
---------------------------	-----

REPAIR KIT

Repair Kit	D12 ~ D13
------------------	-----------

INDEX

Numerical Index	L1 ~ L3
Parts Name Index	M1 ~ M4

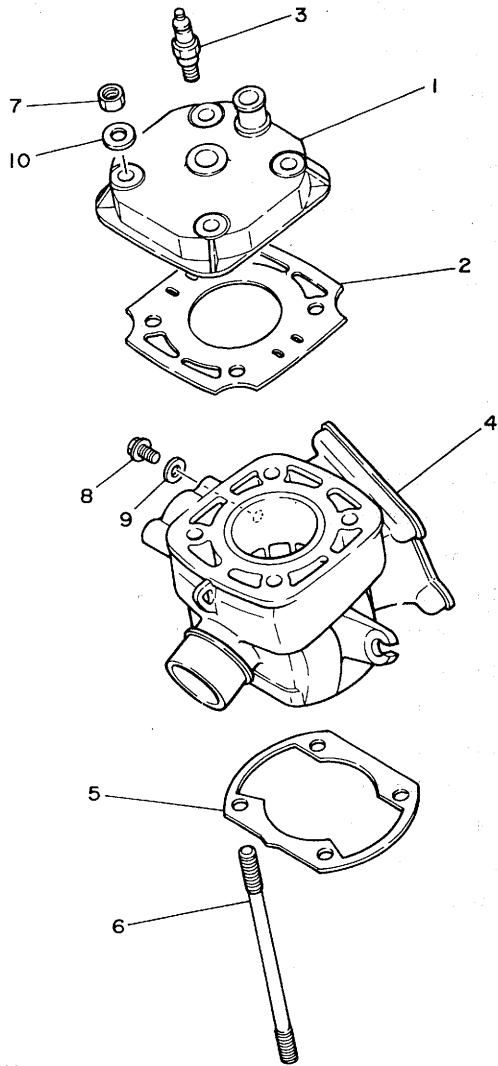


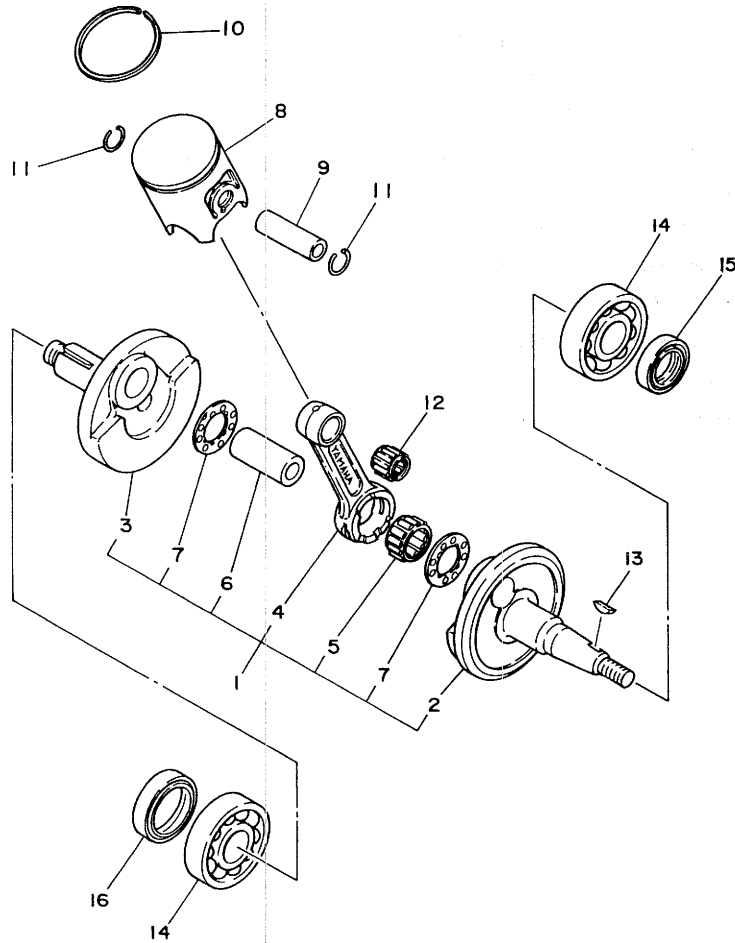
FIG. 1 CYLINDER HEAD

REF. NO.	PART NO.	DESCRIPTION	Q'TY	REMARKS
1	43K-11111-00	HEAD, cylinder 1	1	
2	22W-11181-00	GASKET, cylinder head 1	1	
3	*	PLUG, spark (CHAMPION QN-84)	1	UR LM for S.Africa
	*	PLUG, spark (CHAMPION N-84)	1	UR LM except S.Africa
4	43K-11311-00	CYLINDER 1	1	
5	4V0-11351-00	GASKET, cylinder	1	
6	90116-08438	BOLT, stud	4	
7	95311-08600	NUT	4	
8	90153-06045	SCREW, hexagon	1	
9	90430-06166	GASKET	1	
10	90201-08649	WASHER, plate	4	



22W100-3011

FIG. 2 CRANKSHAFT. PISTON



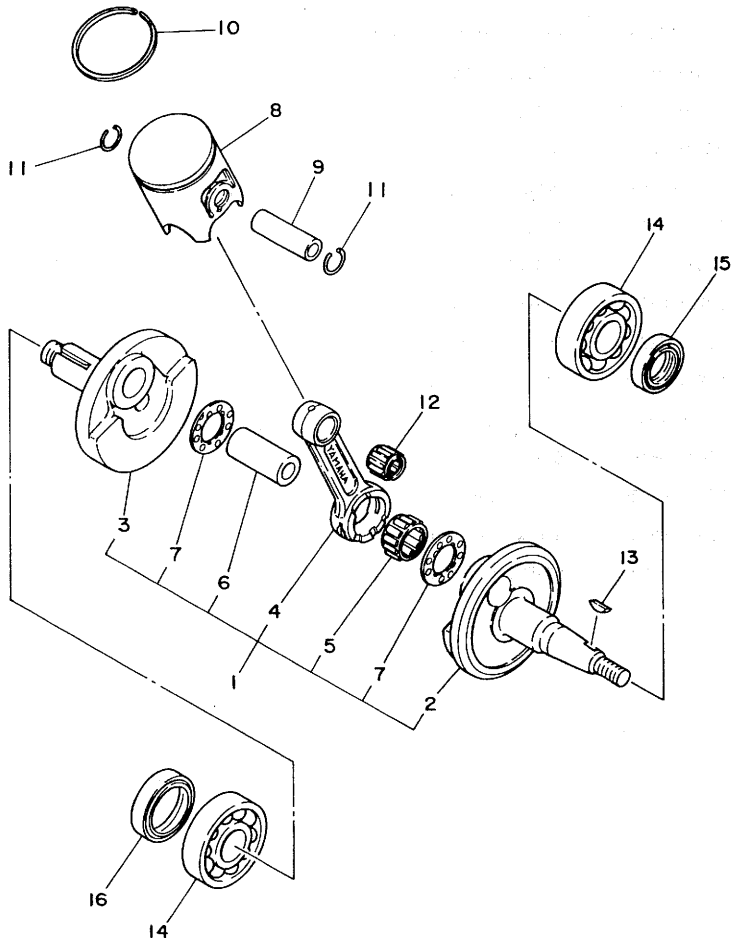
REF. NO.	PART NO.	DESCRIPTION	Q'TY	REMARKS
1	39K-11400-00	CRANKSHAFT ASSY	1	
2	39K-11412-00	.CRANK 1	1	
3	39K-11422-00	.CRANK 2	1	
4	39K-11651-00	.ROD, connecting	1	
5	93310-418M6	.BEARING, cylindrical	1	
6	4V0-11681-00	.PIN, crank 1	1	
7	90209-18112	.WASHER	2	
8	43K-11631-00-94	PISTON (STD)	1	UR
	43K-11631-00-95	PISTON (STD)	1	UR
	43K-11635-00	PISTON (0.25MM O/S)	1	AP
	43K-11636-00	PISTON (0.50MM O/S)	1	AP
	43K-11637-00	PISTON (0.75MM O/S)	1	AP
	43K-11638-00	PISTON (1.00MM O/S)	1	AP
9	4V1-11633-00	PIN, piston	1	
10	43K-11611-00	RING, piston	1	UR
	43K-11611-10	RING, piston	1	AP
	43K-11611-20	RING, piston	1	AP
	43K-11611-30	RING, piston	1	AP
	43K-11611-40	RING, piston	1	AP
11	5X2-11634-00	CLIP, piston pin	2	
12	93310-312M5	BEARING, cylindrical	1	
13	90280-03017	KEY, woodruff	1	
14	93306-20438	BEARING	2	
15	93102-20231	OIL SEAL	1	



22W100-3020

B3

FIG. 2 CRANKSHAFT. PISTON



REF. NO.	PART NO.	DESCRIPTION	Q'TY	REMARKS
----------	----------	-------------	------	---------

16	93103-28126	OIL SEAL	1	
----	-------------	----------	---	--



22W100-3020

B4



39K100-4030

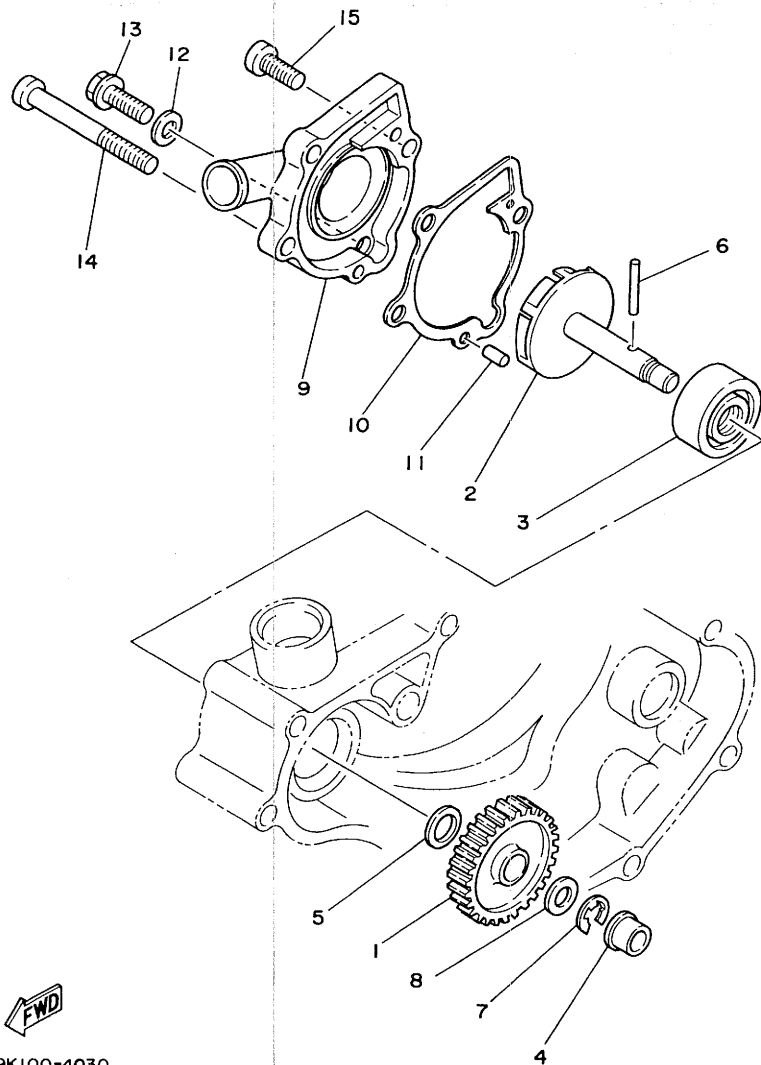
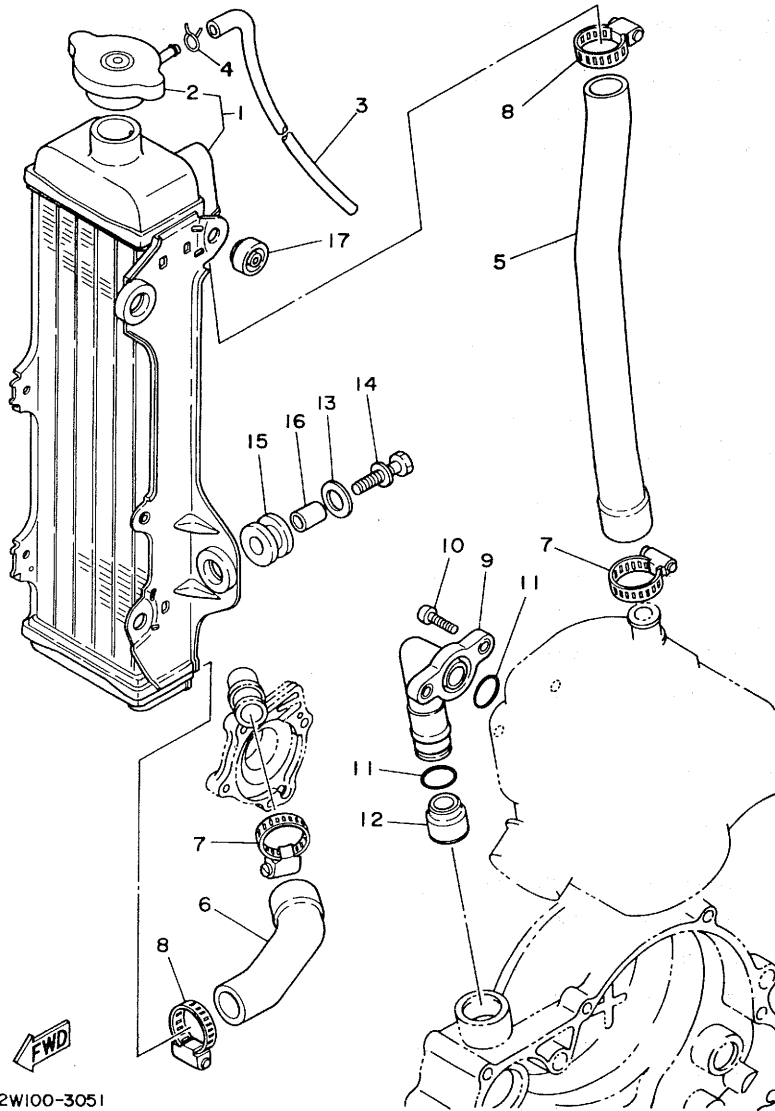


FIG. 3 WATER PUMP

REF. NO.	PART NO.	DESCRIPTION	Q'TY	REMARKS
1	39K-12459-00	GEAR, impeller shaft	1	
2	22W-12450-00	IMPELLER SHAFT ASSY	1	
3	93103-10113	OIL SEAL	1	
4	90381-08002	BUSH, solid	1	
5	90201-10614	WASHER, plate	1	
6	93603-22028	PIN, dowel	1	
7	93430-07012	CIRCLIP	1	
8	90201-08085	WASHER, plate	1	
9	39K-12422-00	COVER, housing	1	
10	5X2-12428-00	GASKET, housing cover 2	1	
11	93604-10011	PIN, dowel	2	
12	90430-06166	GASKET	1	
13	95826-06020	BOLT, flange	1	
14	92506-06060	SCREW, pan head	2	
15	92506-06020	SCREW, pan head	1	

B5

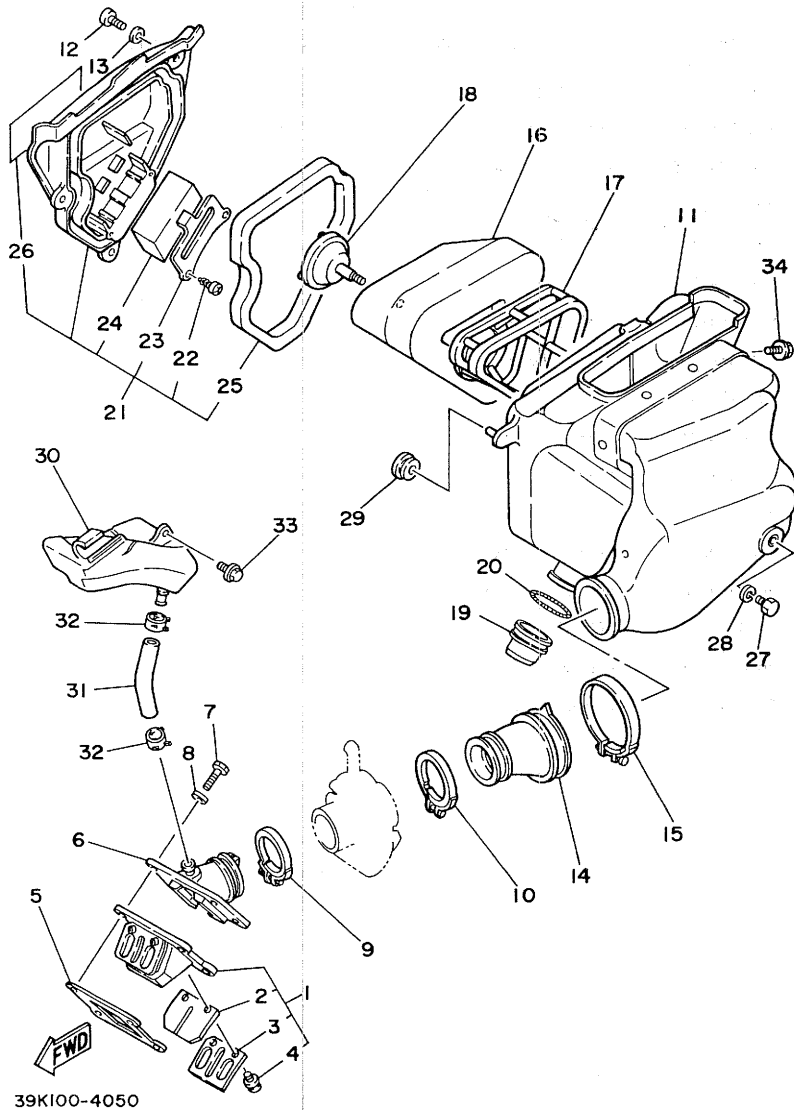
FIG. 4 RADIATOR. HOSE



22W100-3051

REF. NO.	PART NO.	DESCRIPTION	Q'TY	REMARKS
1	39K-12460-00	RADIATOR ASSY	1	
2	22W-12462-00	.CAP, radiator	1	
3	22W-12463-00	PIPE, breather	1	
4	90467-08004	CLIP	1	
5	39K-12481-00	PIPE 1	1	
6	39K-12482-00	PIPE 2	1	
7	90460-31253	CLAMP, hose	2	
8	90460-22252	CLAMP, hose	2	
9	39K-12446-00	JOINT	1	
10	92506-06016	SCREW, pan head	2	
11	93210-16275	O-RING	2	
12	4V2-12494-00	SEAL, pipe 1	1	
13	90201-06570	WASHER, plate	2	
14	90119-06080	BOLT, with washer	2	
15	90480-15064	GROMMET	2	
16	90387-07392	COLLAR	2	
17	22W-24181-00	DAMPER, locating 1	2	

B6

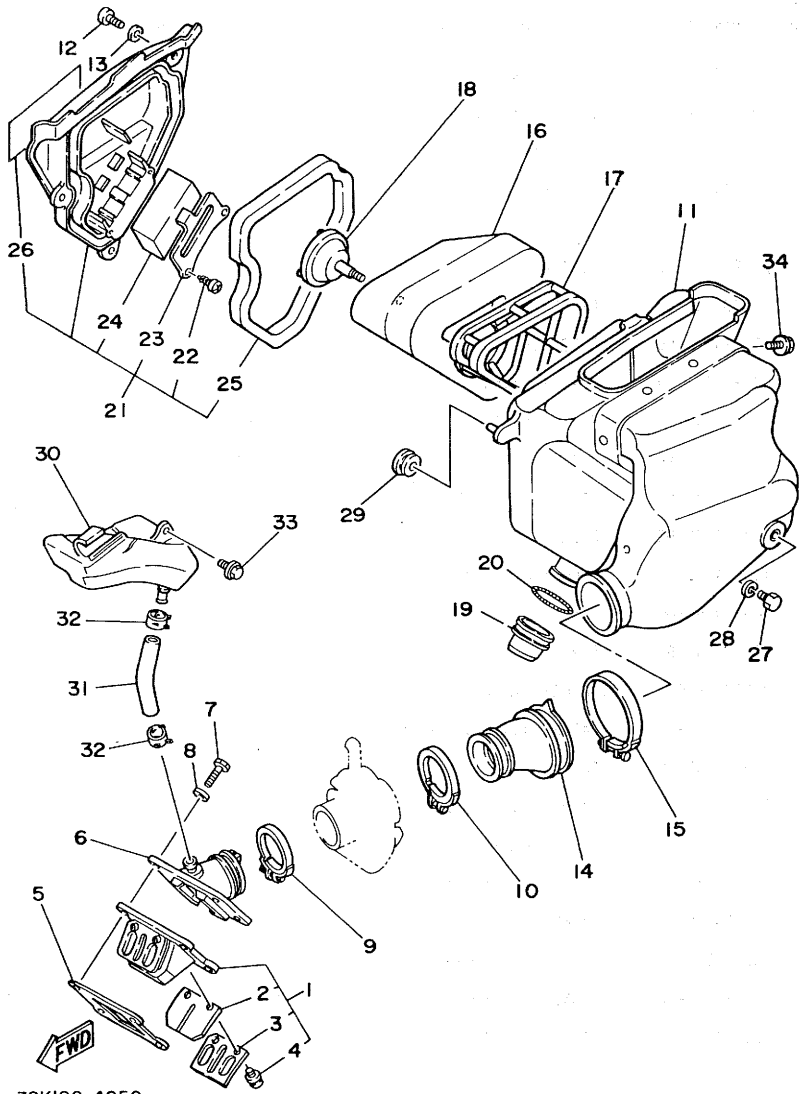


39K100-4050

FIG. 5 INTAKE

REF. NO.	PART NO.	DESCRIPTION	Q'TY	REMARKS
1	22W-13610-00	REED VALVE ASSY	1	
2	1L8-13613-00	.REED, valve	2	
3	10V-13616-01	.STOPPER, reed valve	2	
4	97602-03108	.SCREW, pan head with washer	4	
5	39K-13621-00	GASKET, valve seat	1	
6	5X2-13565-00	JOINT, carburetor	1	
7	97301-06025	BOLT	4	
8	92901-06600	WASHER, plate	4	
9	90460-43053	CLAMP, hose	1	
10	90460-51059	CLAMP, hose	1	
11	39K-14401-00	AIR CLEANER CASE ASSY	1	
12	92506-06016	SCREW, pan head	3	
13	92906-06600	WASHER, plate	3	
14	39K-14453-00	JOINT, air cleaner 1	1	
15	90460-58124	CLAMP, hose	1	
16	39K-14451-00	ELEMENT, air cleaner	1	
17	39K-14458-00	GUIDE	1	
18	4V2-14468-01	PLATE, element fitting	1	
19	39K-14457-00	SEAL	1	
20	90504-03033	SPRING, compression	1	
21	43K-14402-00	CAP ASSY, air cleaner	1	clean white
22	97702-40116	.SCREW, tapping	2	
23	5X5-1441L-00	.PANEL 1	1	
24	39K-14467-00	.SEAL	1	
25	39K-14452-00	.SEAL	1	
26	39K-21781-10	.EMBLEM 1	1	
27	97301-06012	BOLT	1	
28	929001-06100	WASHER, spring	1	

B7



39K100-4050

FIG. 5 INTAKE

* MC-83051

REF. NO.	PART NO.	DESCRIPTION	Q'TY	REMARKS
29	90480-13197	GROMMET	1	
30	22W-13581-00	CHAMBER, air	1	
31	90445-16673	HOSE	1	
32	90467-16063	CLIP	2	
* 33	90119-06043 90159-06033	BOLT, with washer	1	} INTER.
34	90119-06085	BOLT, with washer	1	

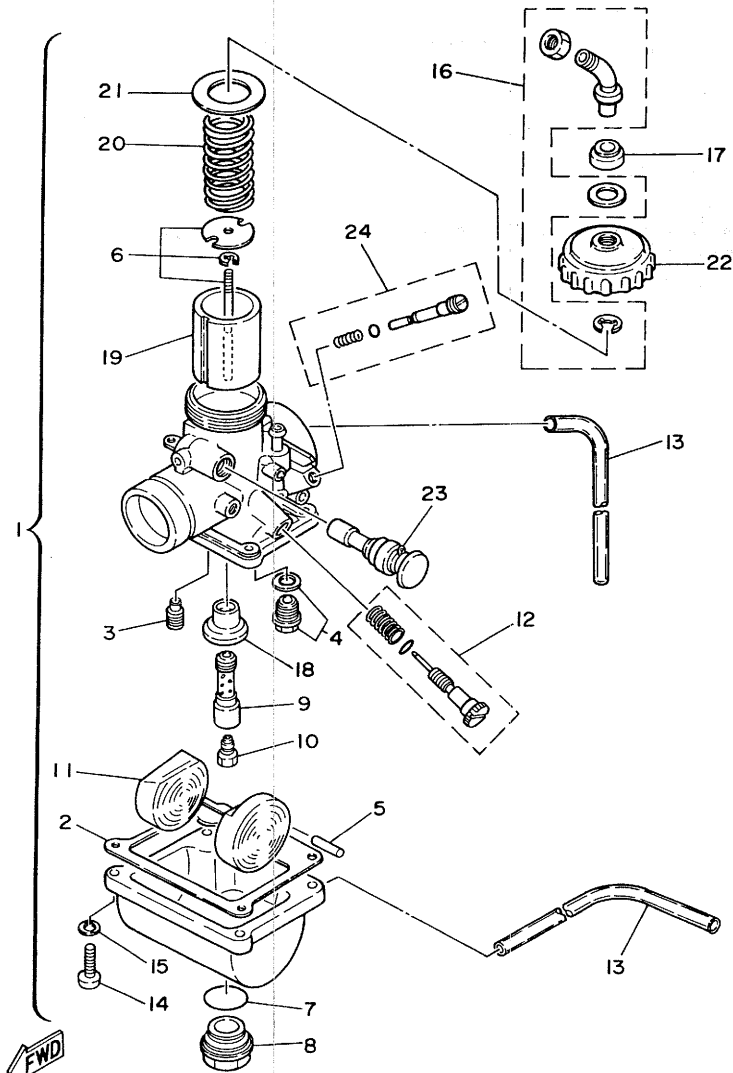


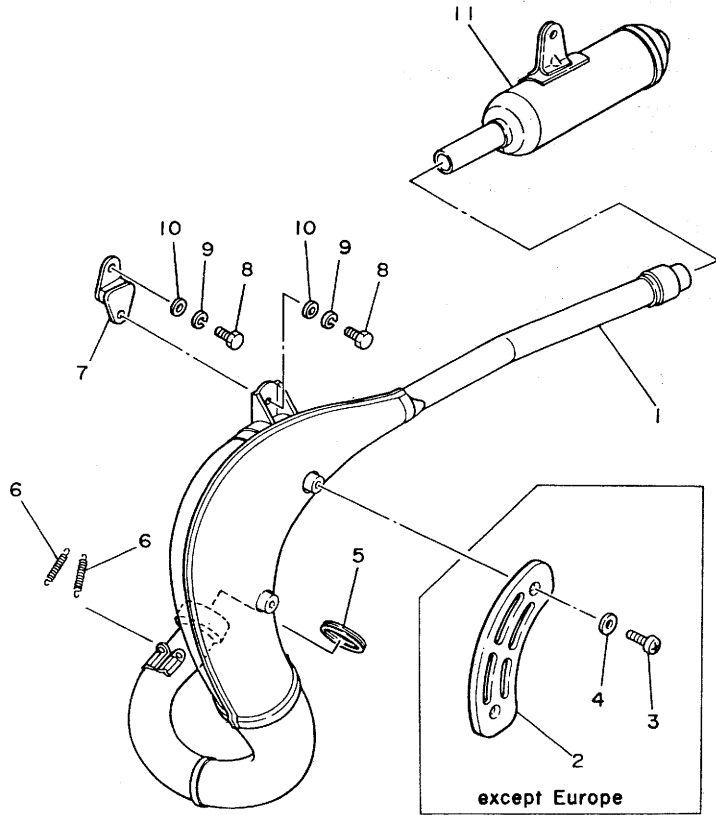
FIG. 6 CARBURETOR

REF. NO.	PART NO.	DESCRIPTION	Q'TY	REMARKS
1	39K-14101-00	CARBURETOR ASSY 1	1	
2	304-14184-00	.GASKET, float chamber	1	
3	260-14142-35	.JET, pilot (# 35)	1	
4	23L-14107-25	.NEEDLE VALVE SET	1	
5	127-14186-00	.PIN, float	1	
6	22W-1490J-00	.NEEDLE SET	1	
7	93210-18288	.O-RING	1	
8	3R1-14115-00	.PLUG, screw	1	
9	3R1-14141-44	.NOZZLE, main	1	
10	137-14143-48	.JET, main (#240)	1 STD	
	137-14143-46	.JET, main (#230)	1 AP	
	137-14143-50	.JET, main (#250)	1 AP	
11	314-14185-00	.FLOAT	1	
12	10W-14103-00	.THROTTLE SCREW SET	1	
13	183-14196-00	.PIPE	2	
14	98511-04016	.SCREW, pan head	4	
15	92902-04100	.WASHER, spring	4	
16	22W-14106-00	.CABLE ADJUST SCREW SET	1	
17	3X3-14169-00	.CAP	1	
18	3R1-14153-00	.WASHER, main jet	1	
19	2X6-14112-20	.VALVE, throttle 1	1	
20	248-14131-00	.SPRING, throttle valve	1	
21	2A6-14126-00	.GASKET	1	
22	2A6-14158-00	.TOP, mixing chamber	1	
23	4U5-14171-00	.PLUNGER, starter	1	
24	10W-14104-00	.AIR SCREW SET	1	

22W100-3070

B9

FIG. 7 EXHAUST



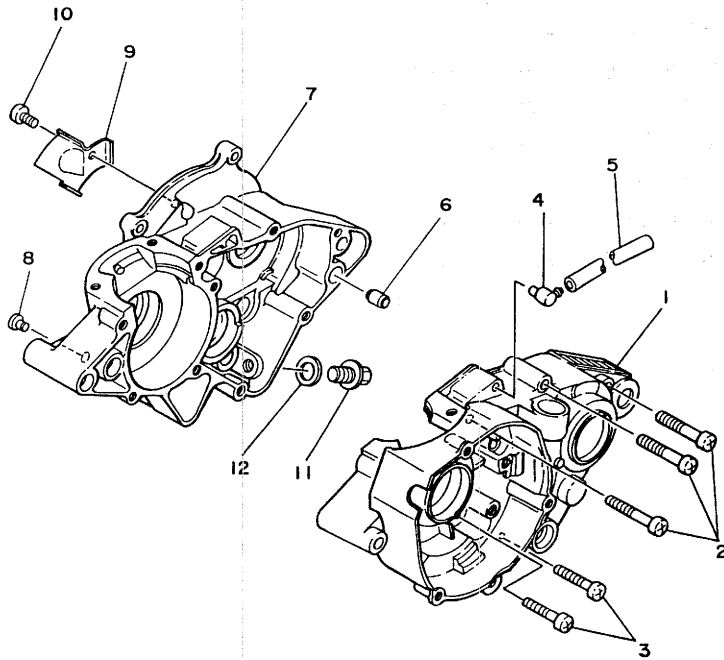
REF. NO.	PART NO.	DESCRIPTION	Q'TY	REMARKS
1	43K-14610-00	EXHAUST PIPE ASSY 1	1	UR for Europe
	39K-14610-00	EXHAUST PIPE ASSY 1	1	UR except Europe
2	39K-14718-00	PROTECTOR, muffler 1	1	except Europe
3	98903-06008	SCREW, bind	2	except Europe
4	90202-06010	WASHER, plate	2	except Europe
5	22W-14613-00	GASKET, exhaust pipe	1	
6	90507-20030	SPRING, tension	2	
7	565-14771-00	STAY, muffler 1	1	
8	97301-06016	BOLT	2	
9	92901-06100	WASHER, spring	2	
10	92901-06600	WASHER, plate	2	
11	39K-14753-00	SILENCER, exhaust	1	



22W300-3081

B10

FIG. 8 CRANKCASE



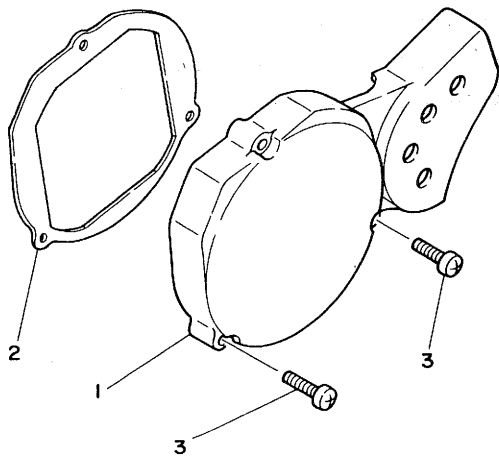
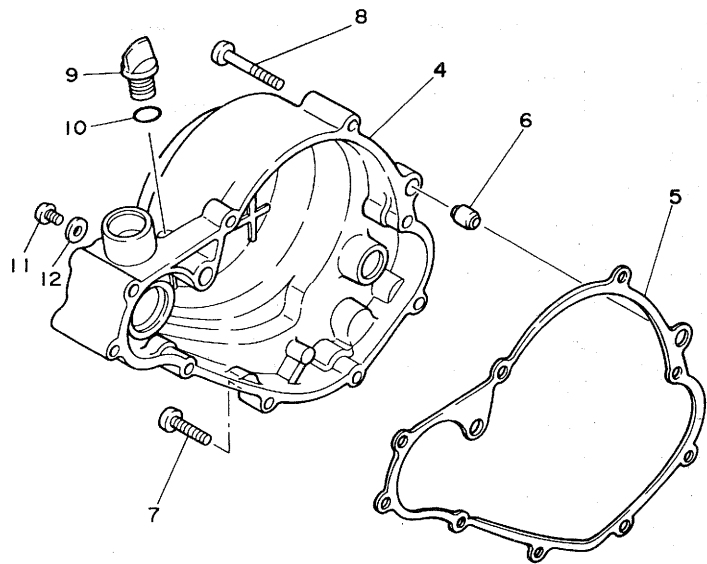
REF. NO.	PART NO.	DESCRIPTION	Q'TY	REMARKS
1	39K-15111-00	CRANKCASE 1	1	
2	92501-06045	SCREW, pan head	6	
3	92501-06035	SCREW, pan head	3	
4	353-13115-01	CONNECTOR, suction pipe	1	
5	90445-08376	HOSE	1	
6	91830-22016	PIN, dowel	2	
7	39K-15121-00	CRANKCASE 2	1	
8	90338-07011	PLUG	1	
9	5X2-15113-00	PLATE	1	
10	92501-06012	SCREW, pan head	1	
11	90340-12095	PLUG, straight screw	1	
12	90430-12038	GASKET	1	



22W100-3090

B11

FIG. 9 CRANKCASE COVER 1



REF. NO.	PART NO.	DESCRIPTION	Q'TY	REMARKS
1	4V0-15411-00	COVER, crankcase 1	1	
2	22W-15451-00	GASKET, crankcase cover 1	1	
3	92506-06030	SCREW, pan head	3	
4	22W-15421-00	COVER, crankcase 2	1	
5	5X2-15462-00	GASKET, crankcase cover 3	1	
6	91830-21014	PIN, dowel	2	
7	92506-06025	SCREW, pan head	6	
8	92506-06040	SCREW, pan head	1	
9	4J2-15363-00	PLUG, oil	1	
10	93210-14104	O-RING	1	
11	92506-06008	SCREW, pan head	1	
12	90430-06016	GASKET	1	

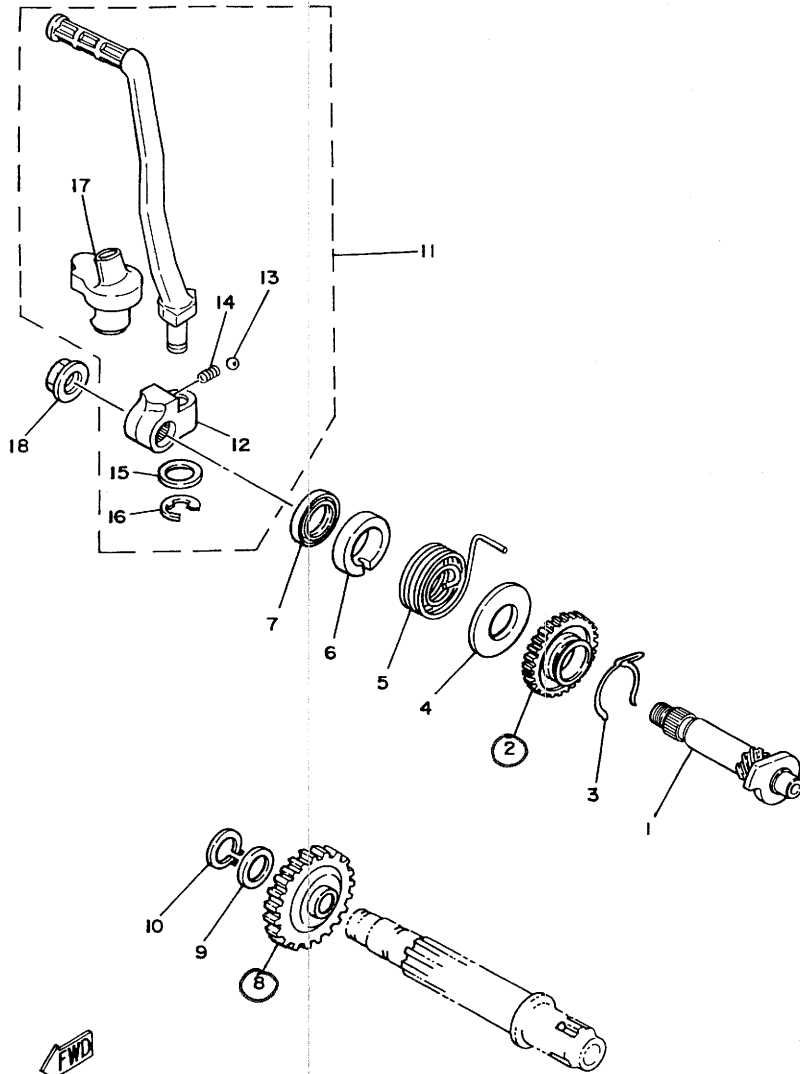


22W100-3101

B12

FIG. 10 STARTER

* MC - 83051



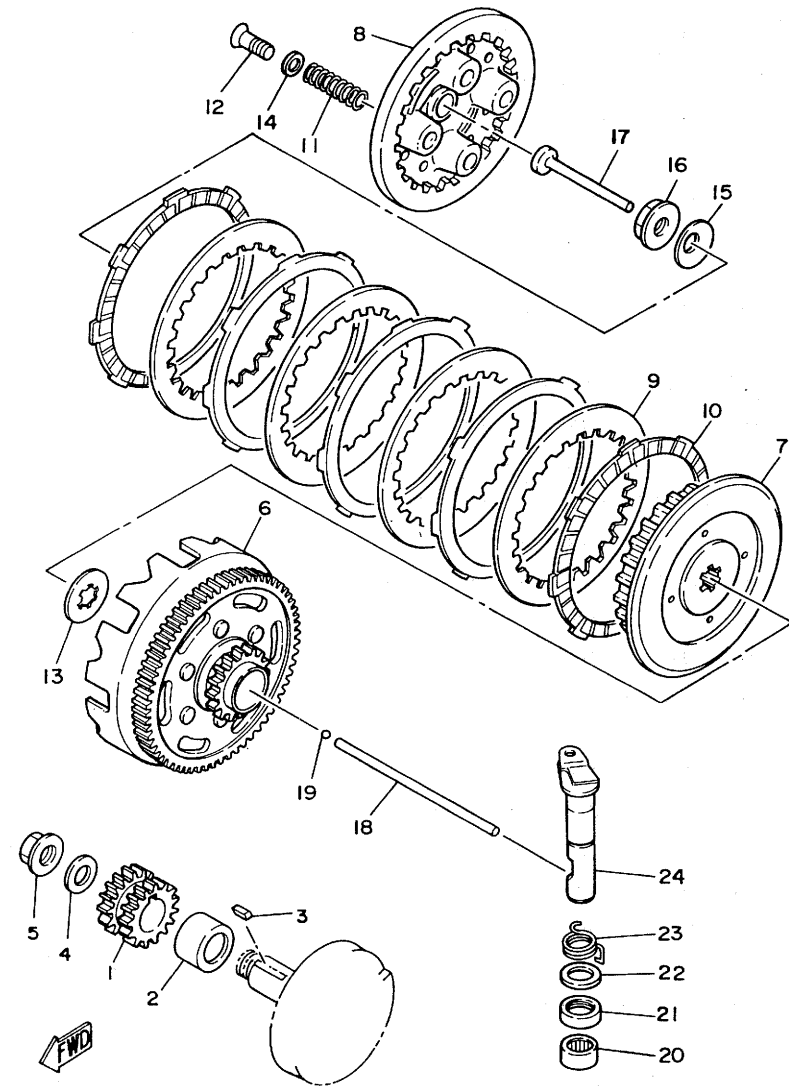
REF. NO.	PART NO.	DESCRIPTION	Q'TY	REMARKS
1	22W-15660-00	KICK AXLE ASSY	1	
* 2	4V0-15641-00 39K-15641-00	GEAR, kick (24T)	1	} INTER.
		GEAR, kick (24T)	1	
3	90468-26046	CLIP	1	
4	90201-154A1	WASHER, plate	1	
5	90508-26464	SPRING, torsion	1	
6	4V0-15664-00	GUIDE, spring	1	
7	93109-15001	OIL SEAL	1	
* 8	39K-15651-00 4V0-15651-00	GEAR, kick idle	1	} INTER.
		" " " (25T)	1	
9	102-18137-00-10	WASHER 1	1	
10	93410-12003	CIRCLIP	1	
11	22W-15620-00	KICK CRANK ASSY	1	
12	4V0-15621-00	.BOSS, kick crank	1	
13	93507-32009	.BALL	1	
14	90501-12081	.SPRING, compression	1	
15	90201-12631	.WASHER, plate	1	
16	93430-08007	.CIRCLIP	1	
17	4V0-15618-00	.COVER, kick lever	1	
18	90179-10272	NUT	1	



22W100-3110

B13

FIG. 11 CLUTCH



22W100-3121

REF. NO.	PART NO.	DESCRIPTION	Q'TY	REMARKS
1	39K-16111-00	GEAR, primary drive	1	
2	90387-202F0	COLLAR	1	
3	90282-05001	KEY, straight	1	
4	90208-12015	WASHER, conical spring	1	
5	90179-12335	NUT	1	
6	39K-16150-00	PRIMARY DRIVEN GEAR COMP.	1	
7	1V1-16371-02	BOSS, clutch	1	
8	4Y2-16351-01	PLATE, pressure 1	1	
9	598-16324-00	PLATE, clutch 1	4	
10	4V0-16321-00	PLATE, friction	5	
11	90501-20644	SPRING, compression	4	
12	98701-05020	SCREW, flat head	4	
13	4V0-16154-00	PLATE, thrust 1	1	
14	90201-05775	WASHER, plate	4	
15	90208-12015	WASHER, conical spring	1	
16	90179-12244	NUT	1	
17	137-16356-00	ROD, push 1	1	
18	2X3-16357-00	ROD, push 2	1	
19	93503-16010	BALL	1	
20	93315-21429	BEARING, cylindrical	1	
21	93109-14021	OIL SEAL	1	
22	90201-14411	WASHER, plate	1	
23	90508-18463	SPRING, torsion	1	
24	39K-16382-00	AXLE, push lever	1	

B14

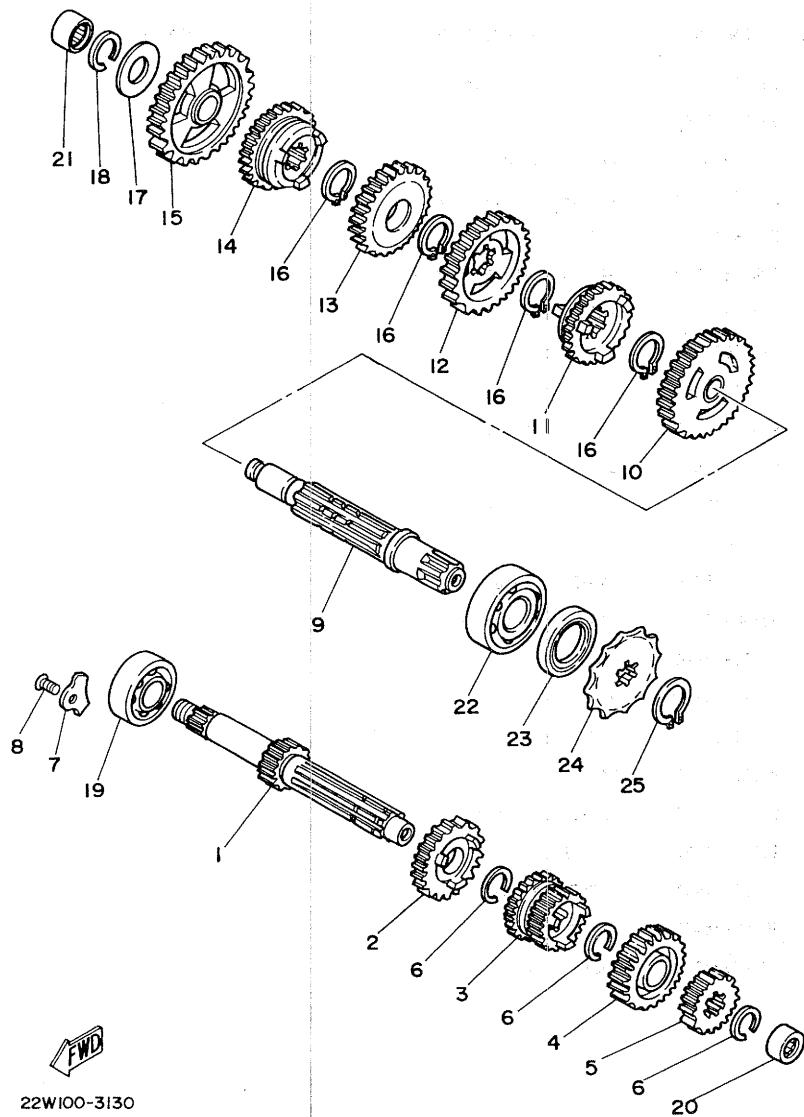


FIG. 12 TRANSMISSION

REF. NO.	PART NO.	DESCRIPTION	Q'TY	REMARKS
1	4V0-17411-01	AXLE, main	1	
2	39K-17151-00	GEAR, 5th pinion (22T)	1	
3	39K-17131-00	GEAR, 3rd pinion (16T/19T)	1	
4	39K-17161-00	GEAR, 6th pinion (23T)	1	
5	4V0-17121-00	GEAR, 2nd pinion (16T)	1	
6	93440-16089	CIRCLIP	3	
7	3R4-15383-01	PLATE, bearing cover	2	
8	92701-06012	SCREW, flat head	2	
9	22W-17421-00	AXLE, drive	1	
10	39K-17221-00	GEAR, 2nd wheel (33T)	1	
11	39K-17261-00	GEAR, 6th wheel (26T)	1	
12	4V0-17231-00	GEAR, 3rd wheel (31T)	1	
13	39K-17241-00	GEAR, 4th wheel (22T)	1	
14	39K-17251-00	GEAR, 5th wheel (27T)	1	
15	4V0-17211-00	GEAR, 1st wheel (36T)	1	
16	93410-20038	CIRCLIP	4	
17	164-17427-00-06	SHIM 1 (0.6T)	1	
18	93440-15012	CIRCLIP	1	
19	93306-20333	BEARING	1	
20	93317-11245	BEARING, cylindrical	1	
21	93315-31502	BEARING, cylindrical	1	
22	93306-20401	BEARING (B6204)	1	
23	93102-20143	OIL SEAL	1	
24	174-17461-40	SPROCKET, drive (14T)	1	
	174-17461-20	SPROCKET, drive (12T)	1	AP
	174-17461-30	SPROCKET, drive (13T)	1	AP
	174-17461-50	SPROCKET, drive (15T)	1	AP
25	93410-18062	CIRCLIP	1	

B15

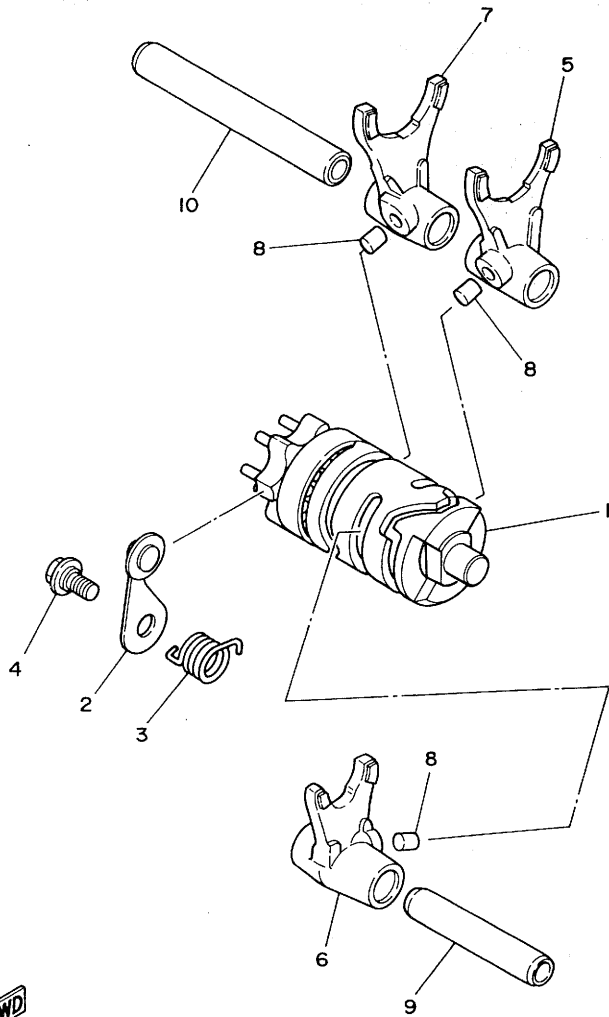


FIG. 13 SHIFT CAM. FORK

REF. NO.	PART NO.	DESCRIPTION	Q'TY	REMARKS
1	22W-18540-00	SHIFT CAM ASSY	1	
2	22W-18140-00	STOPPER LEVER ASSY	1	
3	90508-26462	SPRING, torsion	1	
4	1W1-18177-00	BOLT, stopper	1	
5	4V0-18511-00	FORK, shift 1	1	
6	39K-18512-00	FORK, shift 2	1	
7	4V0-18513-00	FORK, shift 3	1	
8	90250-06013	PIN, straight	3	
9	5X5-18531-01	BAR, shift fork guide 1	1	
10	5X5-18535-01	BAR, shift fork guide 2	1	

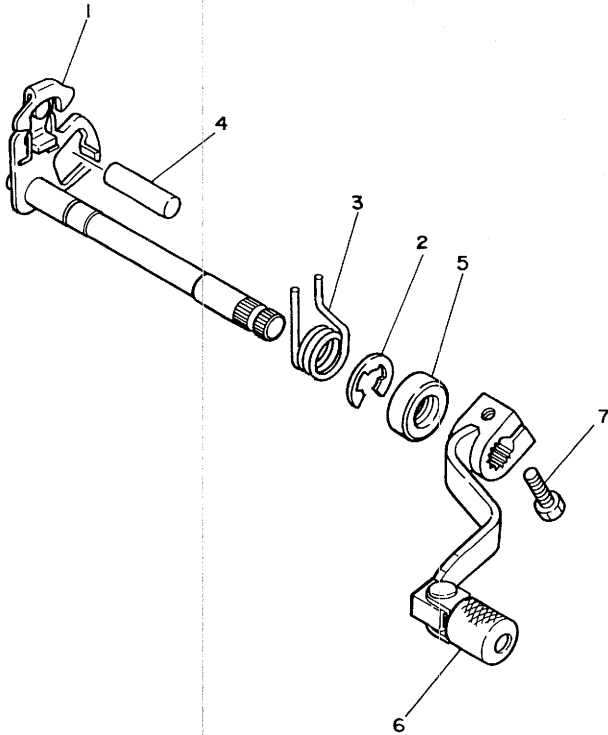


22W100-3140

C2

FIG. 14 SHIFT SHAFT

REF. NO.	PART NO.	DESCRIPTION	Q'TY	REMARKS
1	22W-18101-00	SHIFT SHAFT ASSY	1	
2	93430-10016	CIRCLIP	1	
3	90508-32465	SPRING, torsion	1	
4	93608-30128	PIN, dowel	1	
5	93109-12012	OIL SEAL	1	
6	22W-18110-00	SHIFT PEDAL ASSY	1	
7	97321-06020	BOLT	1	

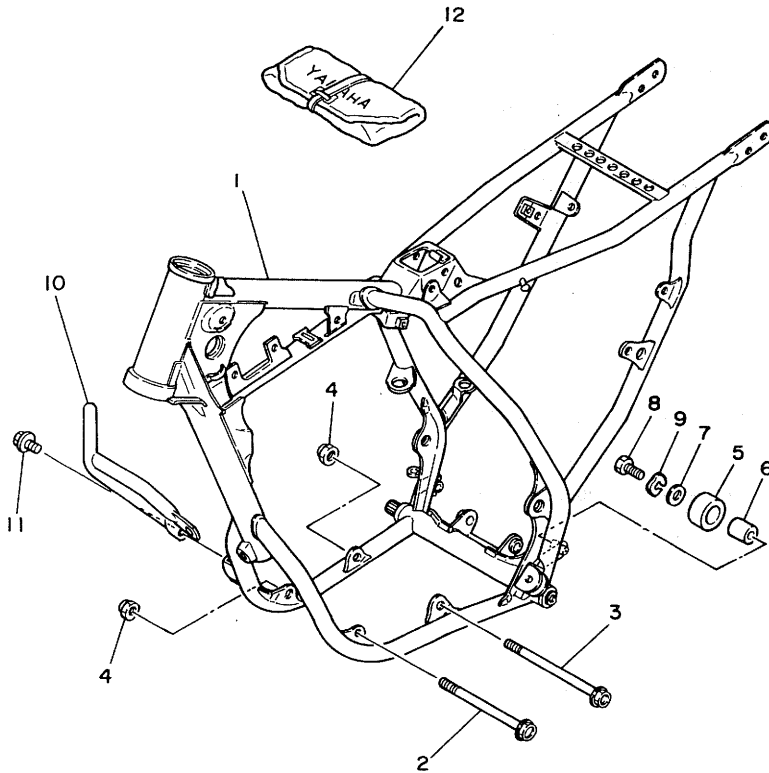


22W100-3150

C3

FIG. 15 FRAME

REF. NO.	PART NO.	DESCRIPTION	Q'TY	REMARKS
1	39K-21110-00-FH	FRAME COMP.	1	fire red
2	95811-08125	BOLT, flange	1	
3	95811-08135	BOLT, flange	1	
4	90185-08113	NUT, self-locking	2	
5	22W-22178-01	TENSIONER	1	
6	4V4-22184-00	BUSH	1	
7	90201-067A0	WASHER, plate	1	
8	97301-06016	BOLT	1	
9	92902-06700	WASHER	1	
10	39K-2174F-00	GUARD, radiator	1	
11	95021-08012	BOLT, flange	2	
12	39K-28100-00	TOOL KIT	1	

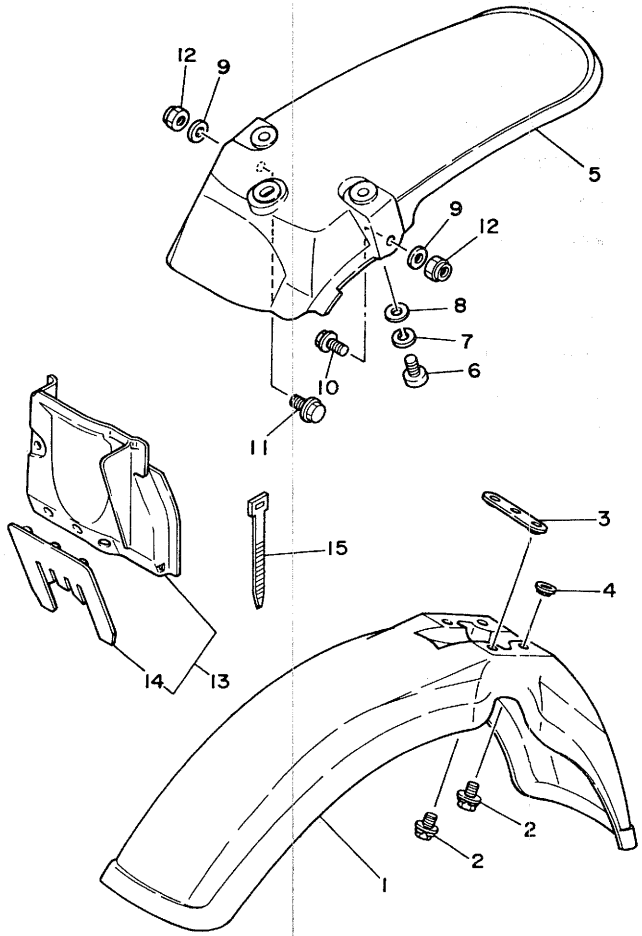


FWD
22W100-3161

C4

FIG. 16 FENDER

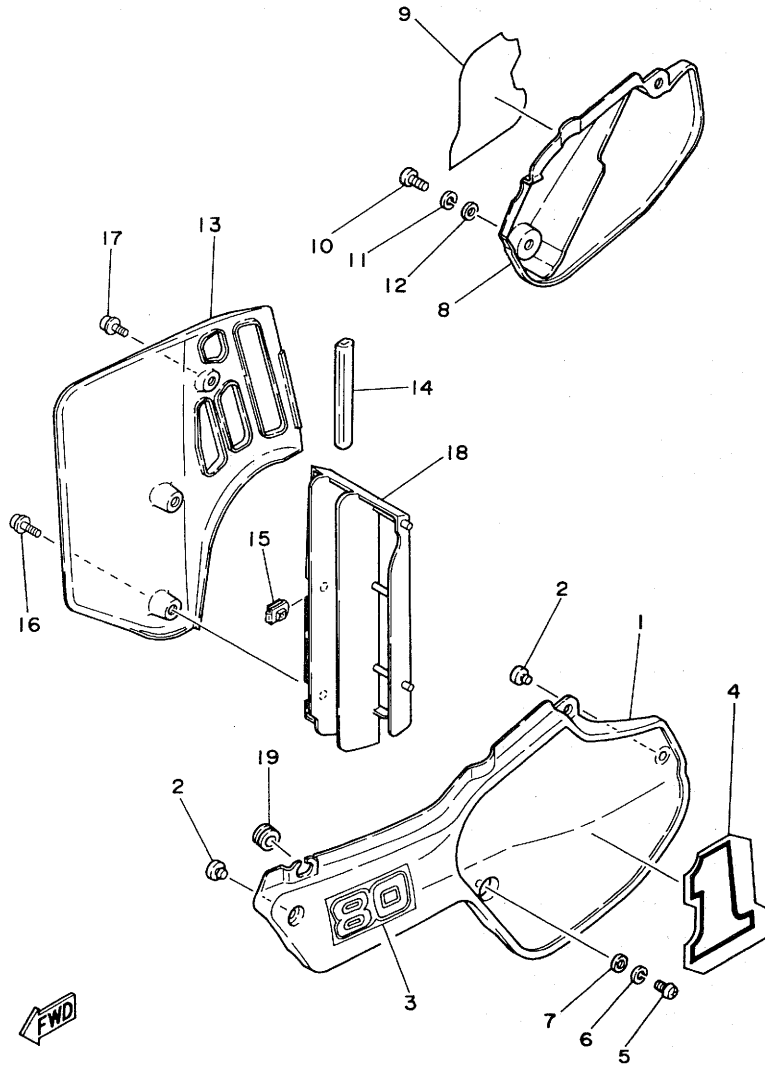
REF. NO.	PART NO.	DESCRIPTION	Q'TY	REMARKS
1	5X2-21511-10	FENDER, front	1	clean white
2	90119-06063	BOLT, with washer	4	
3	22W-21523-00	PLATE 1	1	
4	90209-06187	WASHER	2	
5	22W-21611-10	FENDER, rear	1	clean white
6	92502-06016	SCREW, pan head	3	
7	92902-06100	WASHER, spring	3	
8	90201-06557	WASHER, plate	3	
9	90201-08730	WASHER, plate	2	
10	95801-08025	BOLT, flange	1	
11	95801-08020	BOLT, flange	1	
12	90185-08113	NUT, self-locking	2	
13	39K-21620-00	MUD GUARD COMP.	1	
14	4V0-21621-00	FLAP	1	
15	437-83936-00	BAND, switch cord	1	



22W100-3171

C5

FIG. 17 SIDE COVER



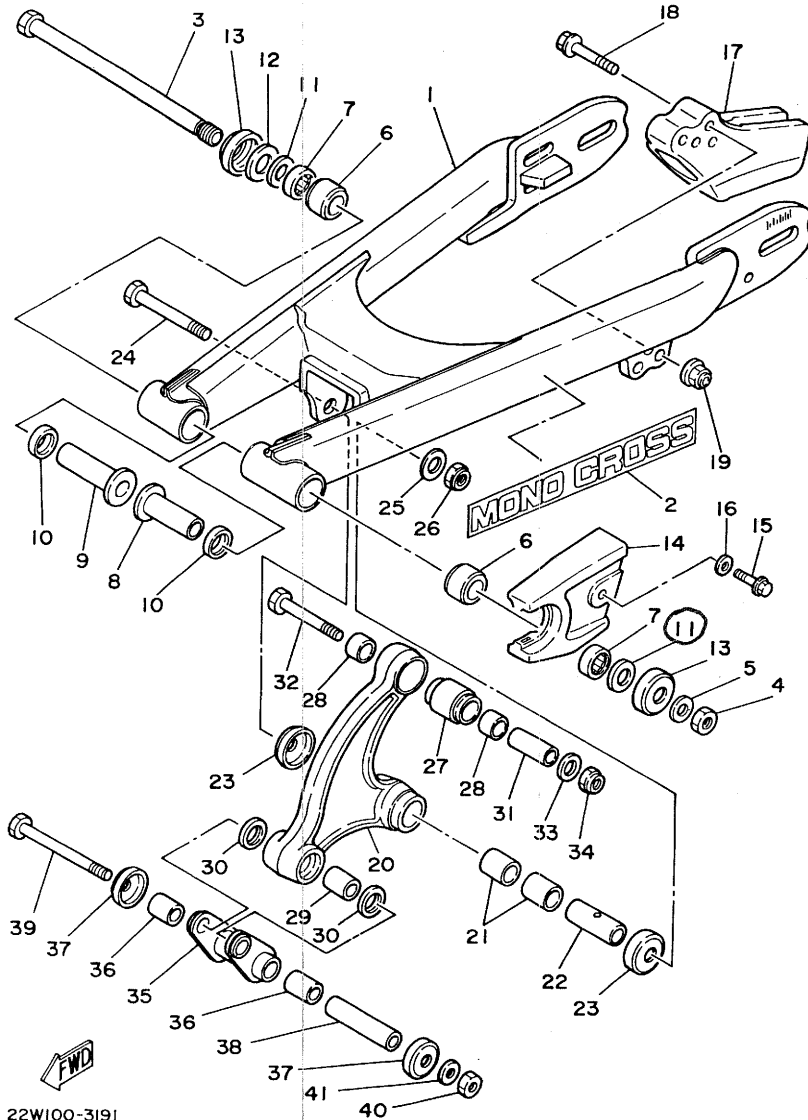
39K100-4170

REF. NO.	PART NO.	DESCRIPTION	Q'TY	REMARKS
1	39K-21711-10	COVER, side 1	1	clean white
2	22W-24181-00	DAMPER, locating 1	2	
3	39K-21781-10	EMBLEM 1	1	
4	3R1-21782-00	EMBLEM 2	1	for Oceania
5	92501-06014	SCREW, pan head	2	
6	92901-06100	WASHER, spring	2	
7	90201-06571	WASHER, plate	2	
8	39K-21721-10	COVER, side 2	1	clean white
9	3R1-21782-00	EMBLEM 2	1	for Oceania
10	92501-06014	SCREW, pan head	2	
11	92901-06100	WASHER, spring	2	
12	90201-06571	WASHER, plate	2	
13	39K-21741-10	COVER, side 4	1	clean white
14	22W-21746-00	DAMPER	1	
15	22W-21791-00	NUT	3	
16	90159-05101	SCREW, with washer	2	
17	90159-05100	SCREW, with washer	1	
18	39K-2172A-00	PANEL 1	1	
19	90480-12053	GROMMET	1	

C6

FIG. 18 REAR ARM

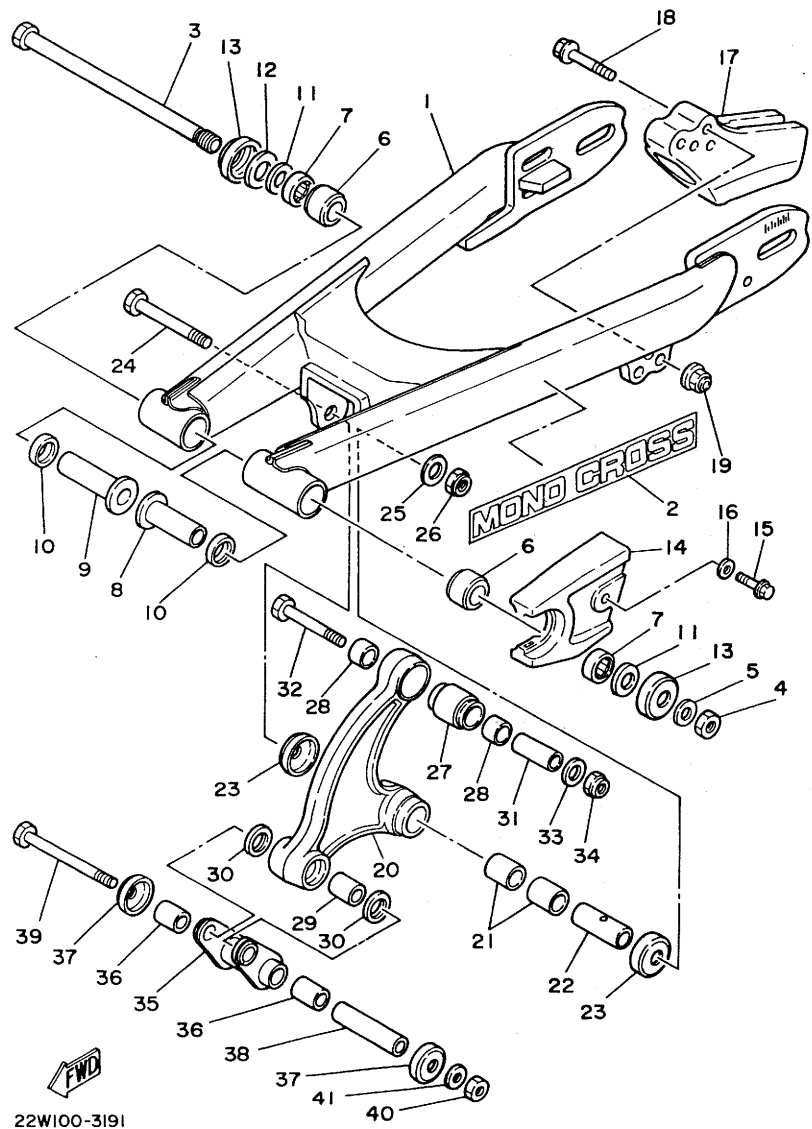
Mc-83051



22W100-3191

REF. NO.	PART NO.	DESCRIPTION	Q'TY	REMARKS
1	39K-22110-00-35	REAR ARM COMP.	1	silver
2	5X1-2218A-00	EMBLEM, rear arm	2	
3	4V1-22141-00	SHAFT, pivot	1	
4	90185-12119	NUT, self-locking	1	
5	90201-12469	WASHER, plate	1	
6	90385-17042	BUSH	2	
7	93317-21746	BEARING, cylindrical	2	
8	90387-127J8	COLLAR	1	
9	90387-127J7	COLLAR	1	
10	93109-17048	OIL SEAL	2	
* 11	90201-174H1	WASHER, plate	2	INTER.
	90201-19J4	" "	2	
12	401-22127-00	SHIM	1	
13	401-22128-01	SEAL, guard	2	
14	39K-22151-00	SEAL, guard	1	
15	95801-06025	BOLT, flange	1	
16	90201-06067	WASHER, plate	1	
17	39K-22199-00	SUPPORT, chain	1	
18	95821-08040	BOLT, flange	2	
19	90185-08113	NUT, self-locking	2	
20	39K-2217A-00	ARM, relay	1	
21	90384-18190	BUSH, bimetal formed	2	
22	90380-12094	BUSH, solid	1	
23	5X6-22129-00	COVER, thrust 2	2	
24	90109-10690	BOLT	1	
25	90201-100E9	WASHER, plate	1	
26	90185-10110	NUT, self-locking	1	
27	22W-22124-00	BUSH 2	1	
28	90380-16109	BUSH, solid	2	

C7



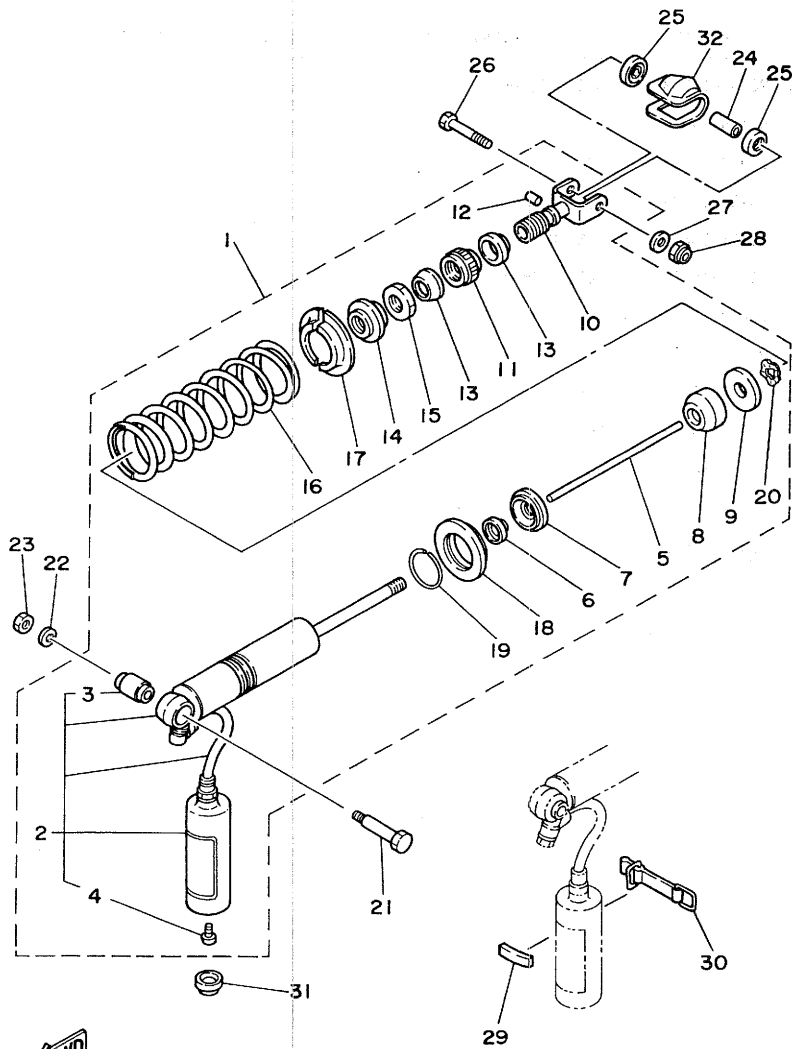
22W100-3191

FIG. 18 REAR ARM

REF. NO.	PART NO.	DESCRIPTION	Q'TY	REMARKS
29	90383-16023	BUSH, formed	1	
30	93109-16035	OIL SEAL	2	
31	90387-10660	COLLAR	1	
32	90109-10689	BOLT	1	
33	92901-10600	WASHER, plate	1	
34	90185-10110	NUT, self-locking	1	
35	22W-2217F-00	ROD, connecting 1	1	
36	90383-16023	BUSH, formed	2	
37	22W-22129-00	COVER, thrust 2	2	
38	90387-10569	COLLAR	1	
39	90109-10688	BOLT	1	
40	90185-10110	NUT, self-locking	1	
41	92901-10600	WASHER, plate	1	

FIG. 19 REAR SUSPENSION

REF. NO.	PART NO.	DESCRIPTION	Q'TY.	REMARKS
1	39K-22210-00-6W	SHOCK ABSORBER ASSY, rear	1	native red
2	39K-2240T-00	.DAMPER SUB ASSY	1	
3	2X6-22216-00	.BUSH, rear shock absorber	1	
4	98501-04005	.SCREW, pan head	1	
5	22W-22489-00	.ROD, push	1	
6	29L-22475-00	.SEAL, dust	1	
7	39K-22472-00	.CAP, case	1	
8	5X2-22493-00	.BUMP, stop	1	
9	5X2-22228-00	.SUPPORT, bump stop	1	
10	22W-22409-00	.UPPER BRACKET SUB ASSY	1	
11	3R4-22497-00	.NUT, adjusting	1	
12	93604-26132	.PIN, dowel	1	
13	3R4-22221-01	.COVER	2	
14	3R4-22213-00	.SEAT, spring upper	1	
15	90170-20213	.NUT	1	
16	22W-22212-20-6W	.SPRING	1	native red
17	22W-22214-00	.GUIDE, spring 1	2	
18	22W-22223-00	.SEAT, spring lower	1	
19	93440-42101	.CIRCLIP	1	
20	90206-12082	.WASHER, wave	1	
21	90109-10729	BOLT	1	
22	92901-10600	WASHER, plate	1	
23	90185-10110	NUT, self-locking	1	
24	90387-10660	COLLAR	1	
25	22W-22129-00	COVER, thrust 2	2	
26	90109-10689	BOLT	1	
27	92901-10600	WASHER, plate	1	
28	90185-10110	NUT, self-locking	1	



39K100-4190

C9

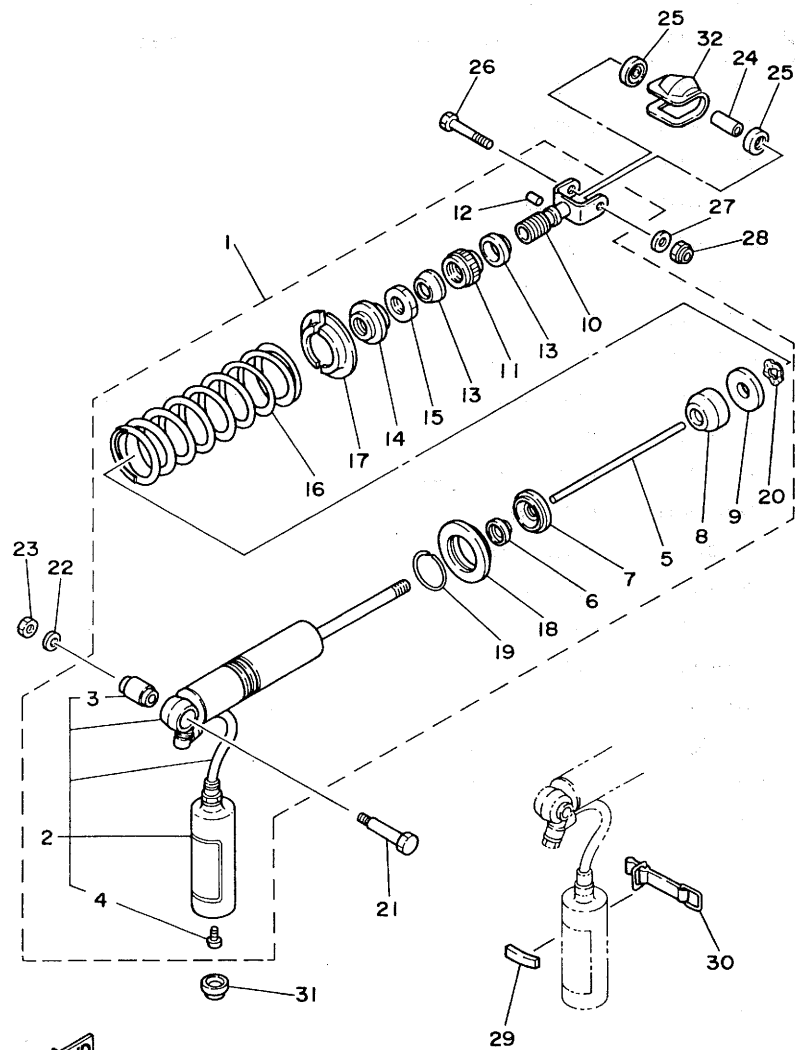


FIG. 19 REAR SUSPENSION

REF. NO.	PART NO.	DESCRIPTION	Q'TY	REMARKS
29	24X-22261-00	DAMPER, sub tank	1	
30	24X-22262-00	HOLDER, sub tank	1	
31	90480-17359	GROMMET	1	
32	22W-22189-00	BOOT, rubber	1	



39K100-4190

C10

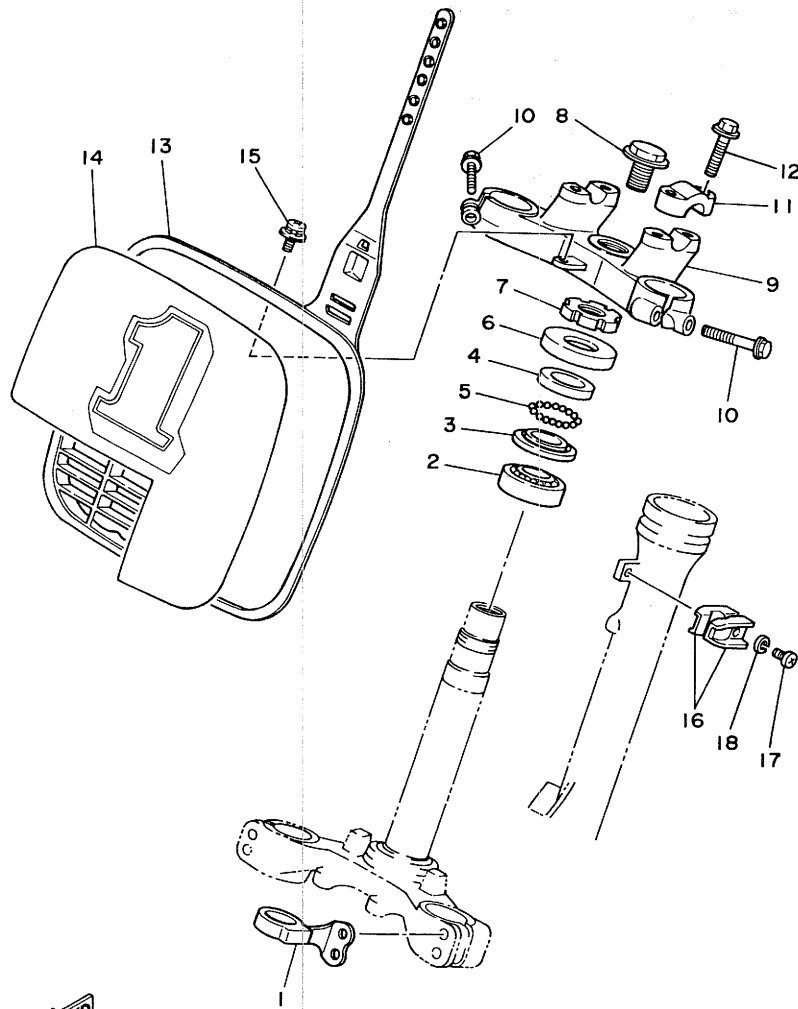


FIG. 20 STEERING

REF. NO.	PART NO.	DESCRIPTION	Q'TY	REMARKS
1	3R4-23389-00	GUIDE, cable	1	
2	93332-00059	BEARING	1	
3	122-23411-00	RACE, ball 1	1	
4	122-23412-00	RACE, ball 2	1	
5	93503-16010	BALL	22	
6	122-23416-00	COVER, ball race 2	1	
7	90179-25033	NUT	1	
8	90105-14137	BOLT, washer based	1	
9	22W-23435-00-98	CROWN, handle	1	low gloss black
10	95801-08035	BOLT, flange	2	
11	1E6-23441-00	HOLDER, handle upper	2	
12	95821-08030	BOLT, flange	4	
13	22W-23485-11	PLATE, number	1	clean white
14	22W-21785-00	EMBLEM 5	1	UR for Oceania
	22W-21785-10	EMBLEM 5	1	UR except Oceania
15	90159-06060	SCREW, with washer	1	
16	90462-14055	CLAMP	2	
17	92501-06012	SCREW, pan head	1	
18	92901-06100	WASHER, spring	1	

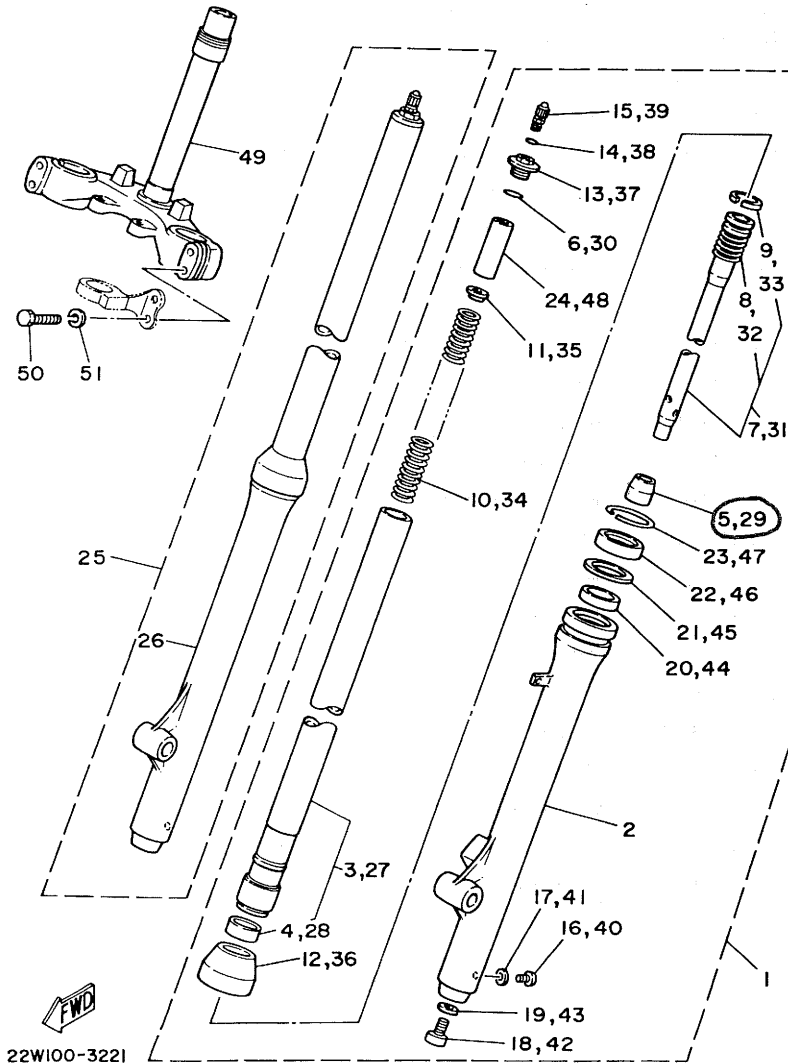


22W100-3211

C11

FIG. 21 FRONT FORK

* MC-83051

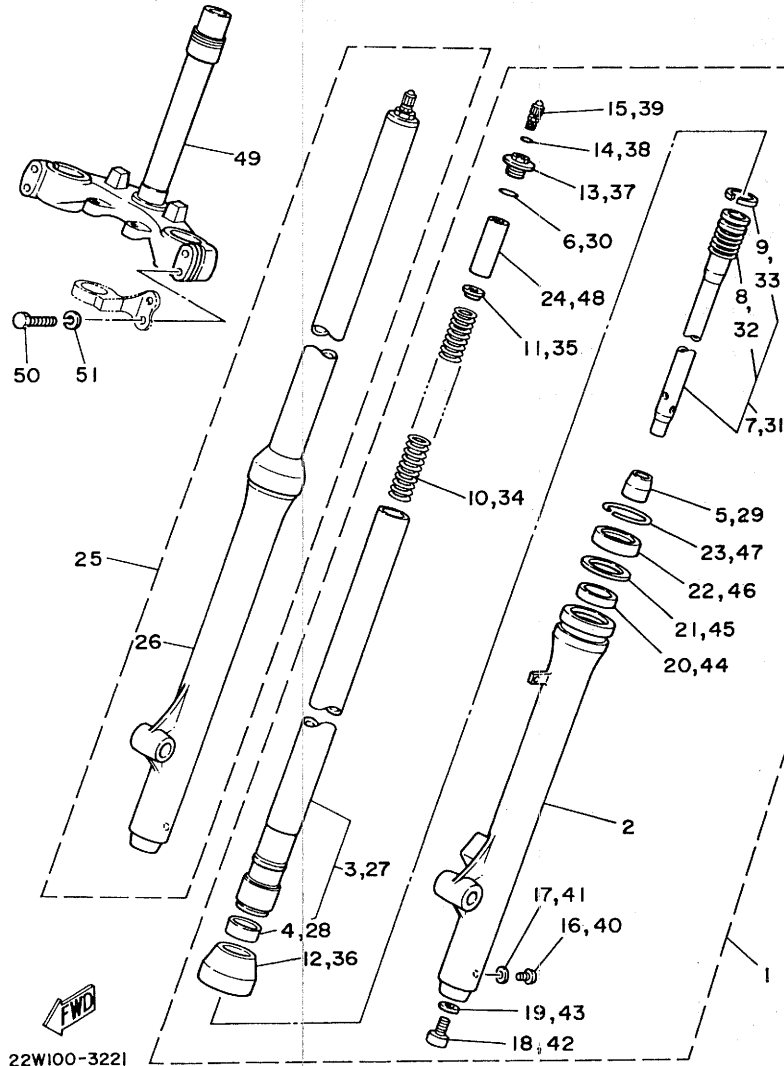


22W100-3221

REF. NO.	PART NO.	DESCRIPTION	Q'TY	REMARKS
1	39K-23102-L0	FRONT FORK ASSY (L.H)	1	
2	39K-23126-L0	.TUBE, outer 1	1	
3	22W-23110-L0	.INNER TUBE COMP.1	1	
4	22W-2312K-00	..PISTON, front fork	1	
* 5	39K-23173-L0 39K-23173-00	.SPINDLE, taper	1	
6	3J2-23114-00	.O-RING	1	
7	39K-23170-L0	.CYLINDER COMP., front fork	1	
8	509-23151-L0	..SPRING, rebound	1	
9	22W-23157-L0	..RING, piston	1	
10	39K-23141-00	.SPRING, front fork	1	
11	583-23142-00	.SEAT, spring upper	1	
12	22W-23144-L0	.SEAL, dust	1	
13	22W-23111-L0	.BOLT, cap	1	
14	3J2-23147-00	.O-RING	1	
15	23X-23190-L0	.AIR VALVE COMP.	1	
16	122-23119-01	.PLUG, drain	1	
17	122-23129-00	.GASKET, drain plug	1	
18	278-23181-50	.BOLT, hexagon socket head	1	
19	509-23158-L0	.GASKET	1	
20	22W-23125-L0	.METAL, slide 1	1	
21	22W-23146-L0	.WASHER, oil seal	1	
22	22W-23145-L0	.OIL SEAL	1	
23	22W-23153-L0	.RING, snap	1	
24	15R-23118-00	.SPACER	1	
25	39K-23103-L0	FRONT FORK ASSY (R.H)	1	
26	39K-23136-L0	.TUBE, outer 2	1	
27	22W-23110-L0	.INNER TUBE COMP.1	1	
28	22W-2312K-00	..PISTON, front fork	1	

C12

FIG. 21 FRONT FORK



REF. NO.	PART_NO.	DESCRIPTION	Q'TY	REMARKS
* 29	39K 39K-23173-L0 00	.SPINDLE, taper	1	
30	3J2-23114-00	.O-RING	1	
31	39K-23170-L0	.CYLINDER COMP., front fork	1	
32	509-23151-L0	..SPRING, rebound	1	
33	22W-23157-L0	..RING, piston	1	
34	39K-23141-00	.SPRING, front fork	1	
35	583-23142-00	.SEAT, spring upper	1	
36	22W-23144-L0	.SEAL, dust	1	
37	22W-23111-L0	.BOLT, cap	1	
38	3J2-23147-00	.O-RING	1	
39	23X-23190-L0	.AIR VALVE COMP.	1	
40	122-23119-01	.PLUG, drain	1	
41	122-23129-00	.GASKET, drain plug	1	
42	278-23181-50	.BOLT, hexagon socket head	1	
43	509-23158-L0	.GASKET	1	
44	22W-23125-L0	.METAL, slide 1	1	
45	22W-23146-L0	.WASHER, oil seal	1	
46	22W-23145-L0	.OIL SEAL	1	
47	22W-23153-L0	.RING, snap	1	
48	15R-23118-00	.SPACER	1	
49	39K-23340-L0	UNDER BRACKET COMP.	1	
50	97321-08035	BOLT	4	
51	92901-08100	WASHER, spring	4	

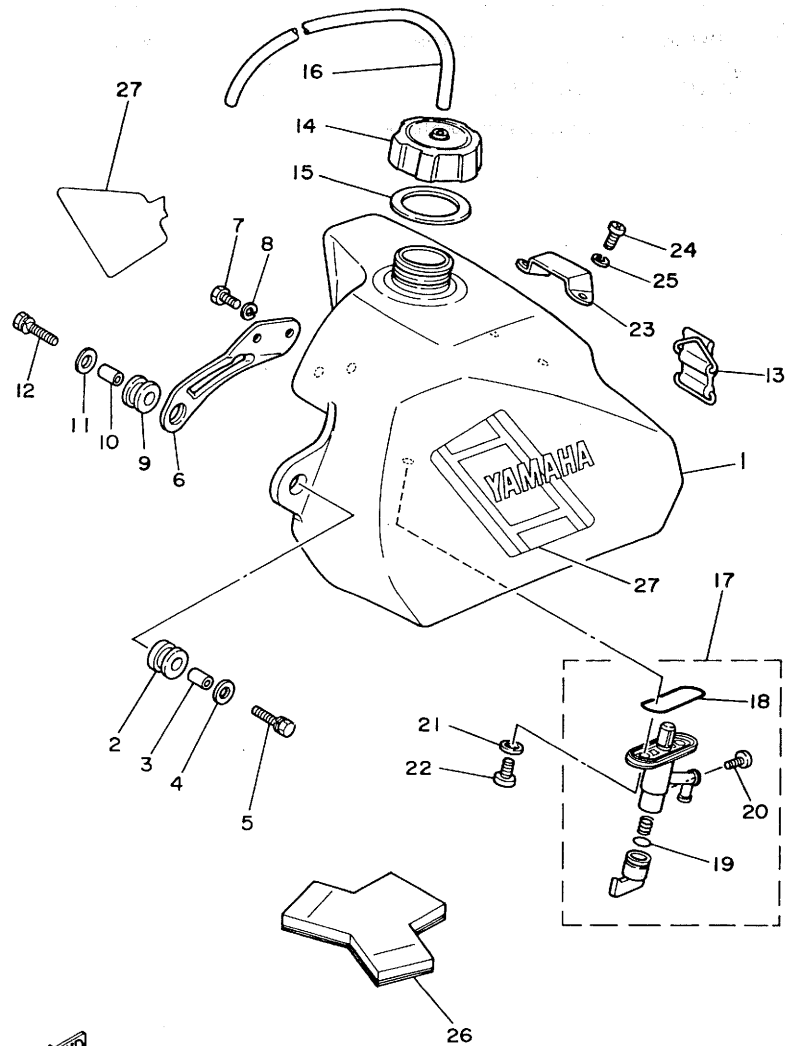


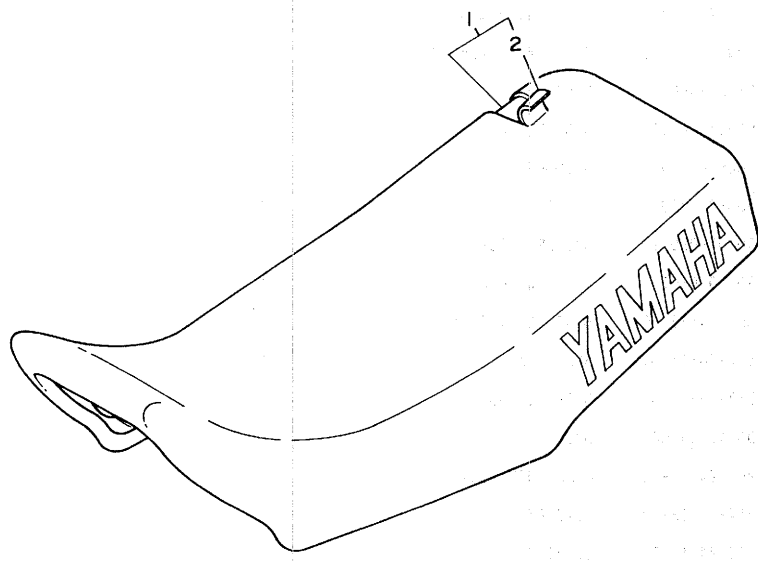
FIG. 22 FUEL TANK

REF. NO.	PART NO.	DESCRIPTION	Q'TY	REMARKS
1	22W-24110-10	FUEL TANK COMP.	1	clean white
2	90480-18290	GROMMET	1	
3	90387-07598	COLLAR	1	
4	90201-06072	WASHER, plate	1	
5	90119-06073	BOLT, with washer	1	
6	22W-24158-00	STAY, fuel tank 2	1	
7	97301-06012	BOLT	2	
8	92901-06100	WASHER, spring	2	
9	90480-18290	GROMMET	1	
10	90387-07598	COLLAR	1	
11	90201-06072	WASHER, plate	1	
12	90119-06073	BOLT, with washer	1	
13	3R3-24173-00	BAND, tank fitting 1	1	
14	5X7-24611-01	BODY, cap	1	
15	5X7-24612-00	GASKET, cap	1	
16	90445-09304	HOSE	1	
17	2K5-24500-00	FUEL COCK ASSY 1	1	
18	214-24512-00	.GASKET	1	
19	1A0-24512-00	.O-RING	1	
20	619-24535-00	.SCREW, lever fitting	1	
21	90202-06010	WASHER, plate	2	
22	90149-06011	SCREW	2	
23	5X7-2412F-00	BRACKET, seat	1	
24	92501-06012	SCREW, pan head	2	
25	92901-06100	WASHER, spring	2	
26	22W-24183-00	DAMPER, locating 3	1	
27	39K-24250-11	GRAPHIC SET	1	

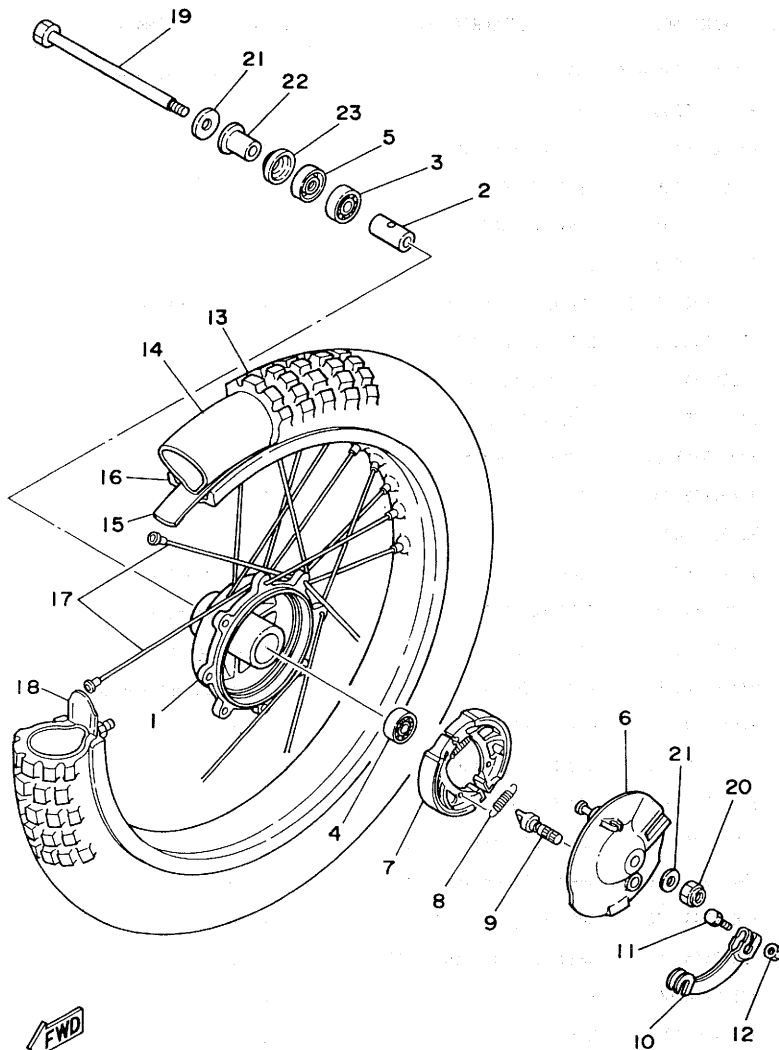

22W100-3231

FIG. 23 SEAT

REF. NO.	PART NO.	DESCRIPTION	Q'TY	REMARKS
1	22W-24770-10	SEMI-DOUBLE SEAT ASSY	1	
2	22W-24771-10	.COVER, semi-double seat	1	red




22W100-3240



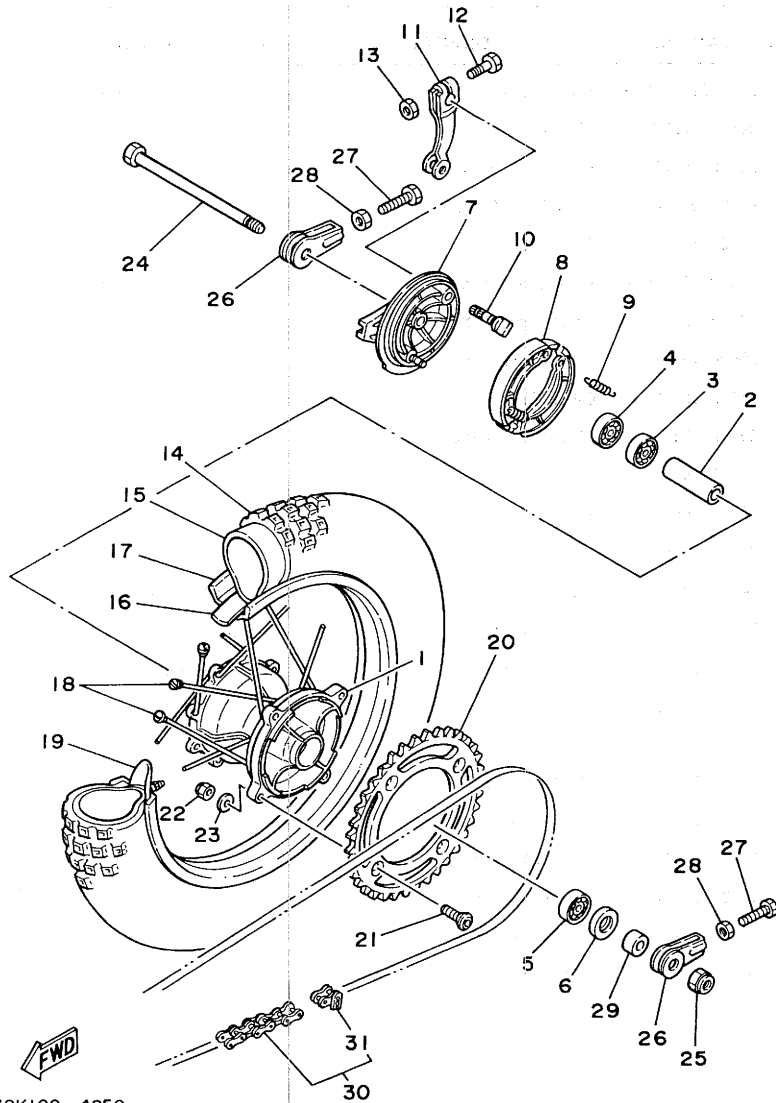
39K100-4240

FIG. 24 FRONT WHEEL

REF. NO.	PART NO.	DESCRIPTION	Q'TY	REMARKS
1	39K-25111-00-98	HUB, front	1	low gloss black
2	90560-12257	SPACER	1	
3	93306-00105	BEARING (B6001)	1	
4	93306-00104	BEARING (B6001RS)	1	
5	93106-18013	OIL SEAL	1	
6	39K-25121-00-98	PLATE, brake shoe	1	low gloss black
7	39K-25130-00	BRAKE SHOE COMP.	2	
8	90506-14081	SPRING, tension	2	
9	451-25151-00	CAMSHAFT	1	
10	39K-25155-00	LEVER, camshaft 1	1	
11	90101-06291	BOLT	1	
12	95301-06600	NUT	1	
13	94108-170F1	TIRE	1	bridgestone
14	94227-17152	TUBE (2.75-17)	1	bridgestone
15	94327-17103	BAND, rim (2.75-17)	1	bridgestone
16	94414-17374	RIM (1.40-17)	1	UR except Europe
	94414-17379	RIM (1.40-17)	1	UR for Europe
17	39K-25104-00	SPOKE SET, front	1	
18	1T1-25194-00	SPACER, bead	1	
19	22W-25181-01	AXLE, wheel	1	
20	90185-12046	NUT, self-locking	1	
21	90201-12174	WASHER, plate	2	
22	2J5-25183-00	COLLAR, wheel	1	
23	462-25118-00	COVER, hub dust	1	

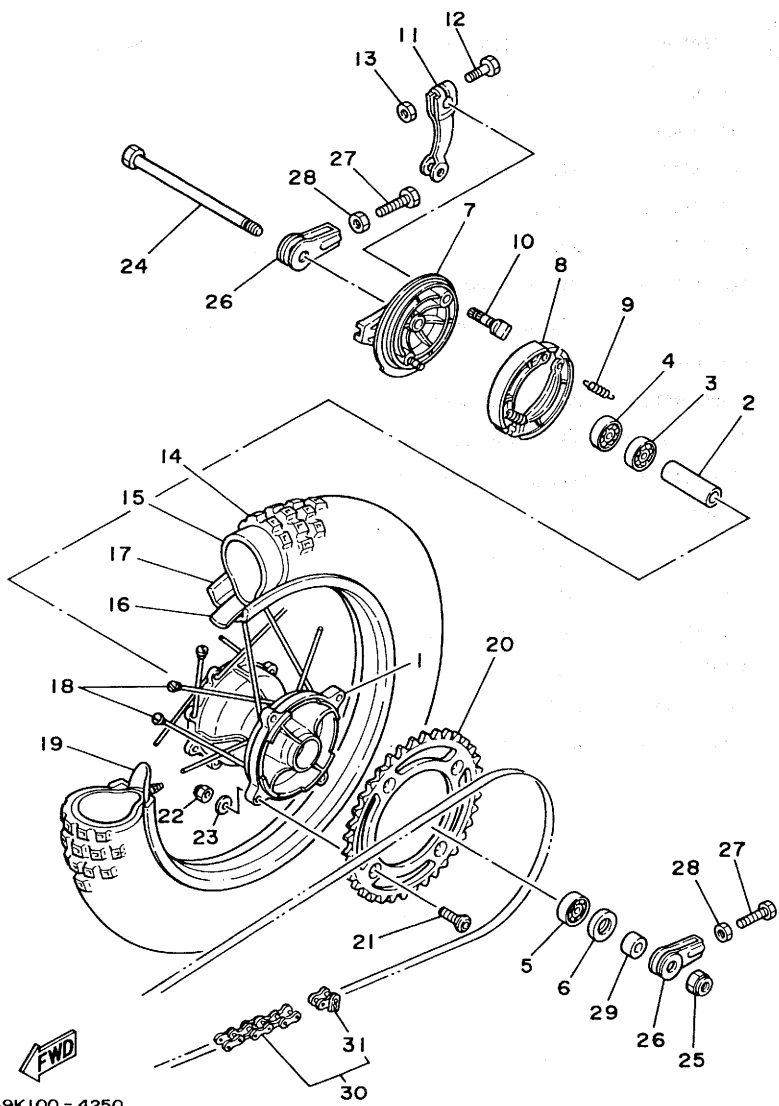
FIG. 25 REAR WHEEL

REF. NO.	PART NO.	DESCRIPTION	Q'TY	REMARKS
1	39K-25311-00-98	HUB, rear	1	low gloss black
2	90560-12256	SPACER	1	
3	93306-00104	BEARING (B6001RS)	1	
4	93306-00105	BEARING (B6001)	1	
5	93306-30101	BEARING (B6301)	1	
6	93106-20002	OIL SEAL	1	
7	39K-25321-00-98	PLATE, brake shoe	1	low gloss black
8	39K-25130-00	BRAKE SHOE COMP.	2	
9	90506-14081	SPRING, tension	2	
10	3R0-25351-00	CAMSHAFT	1	
11	3R0-25355-11	LEVER, camshaft	1	
12	90101-06278	BOLT	1	
13	95301-06600	NUT	1	
14	94111-147E9	TIRE	1	bridgestone
15	94241-14175	TUBE (4.10-14)	1	bridgestone
16	94336-14102	BAND, rim (3.60-14)	1	bridgestone
17	94416-14375	RIM (1.60-14)	1	UR except Europe
	94416-14378	RIM (1.60-14)	1	UR for Europe
18	39K-25304-00	SPOKE SET, rear	1	
19	5X2-25394-00	SPACER, bead	1	
20	39K-25448-00	SPROCKET, driven (48T)	1	
	39K-25444-00	SPROCKET, driven (44T)	1	AP
	39K-25446-00	SPROCKET, driven (46T)	1	AP
	39K-25450-00	SPROCKET, driven (50T)	1	AP
21	90109-08706	BOLT	4	
22	95611-08100	NUT, u	4	
23	90201-081A6	WASHER, plate	4	
24	39K-25381-00	AXLE, wheel	1	



39K100 - 4250

D3



39K100 - 4250

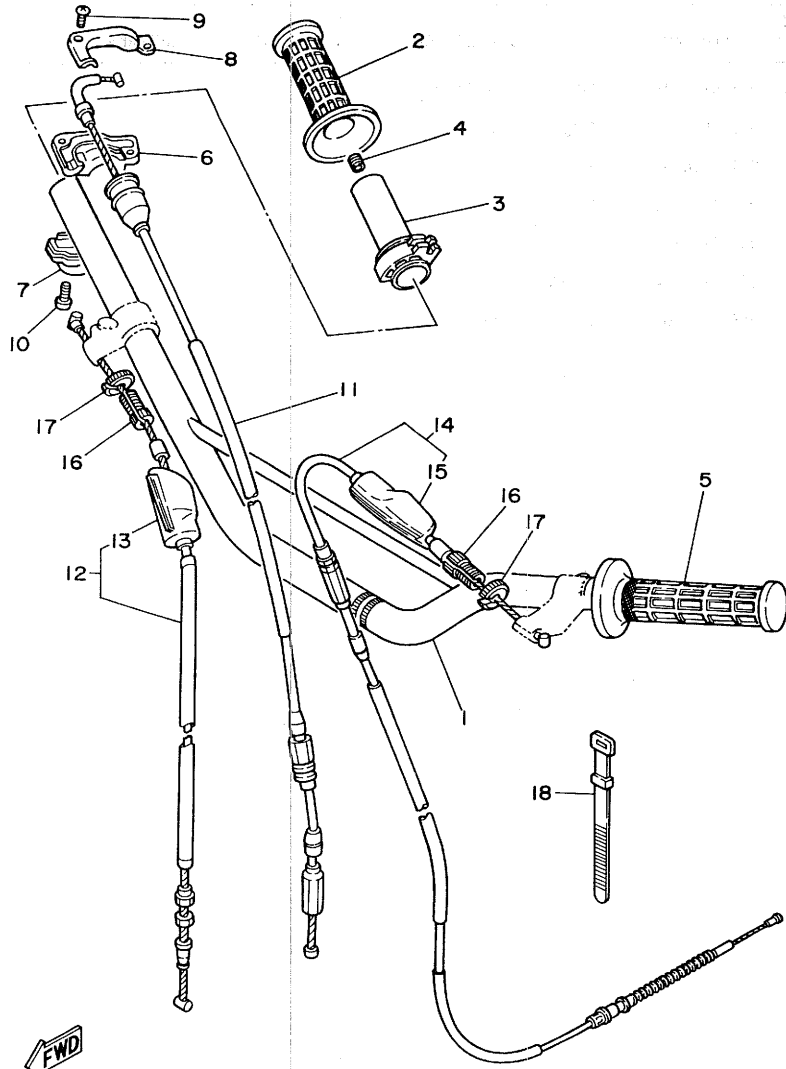
FIG. 25 REAR WHEEL

REF. NO.	PART NO.	DESCRIPTION	Q'TY	REMARKS
25	90185-12046	NUT, self-locking	1	
26	5H5-25389-00	PULLER, chain 2	2	
27	90101-08034	BOLT	2	
28	95301-08700	NUT	2	
29	90387-127J9	COLLAR	1	
30	94580-24114	CHAIN	1	
31	94680-24001	.JOINT, chain	1	

D4

FIG. 26 STEERING HANDLE. CABLE

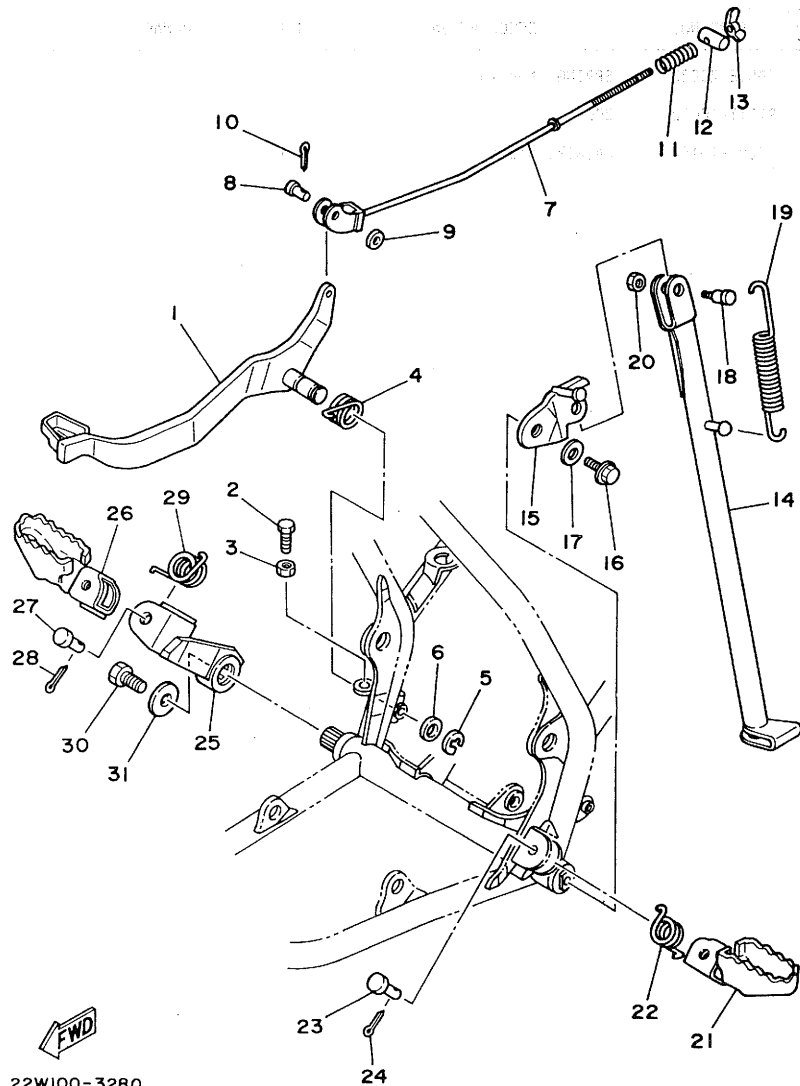
REF. NO.	PART NO.	DESCRIPTION	Q'TY	REMARKS
1	22W-26111-00	HANDLEBAR	1	
2	4V4-26242-01	GRIP (R.H)	1	
3	22W-26243-00	TUBE, throttle guide	1	
4	688-82535-00	GROMMET	1	
5	4V4-26241-01	GRIP (L.H)	1	
6	5X2-26281-00	CAP, grip upper	1	
7	322-26282-00-98	CAP, grip lower	1	low gloss black
8	5X2-2628H-01	CAP, wire	1	
9	98606-04012	SCREW, oval head	2	
10	98506-05016	SCREW, pan head	2	
11	22W-26311-00	CABLE, throttle 1	1	
12	39K-26341-00	CABLE, brake	1	
13	382-26372-01	.COVER, handle lever 1	1	
14	39K-26335-00	CABLE, clutch	1	
15	382-26372-01	.COVER, handle lever 1	1	
16	90123-08013	BOLT	2	
17	90179-08148	NUT	2	
18	437-83936-10	BAND, switch cord	1	



FWD

22W100-3270

D5

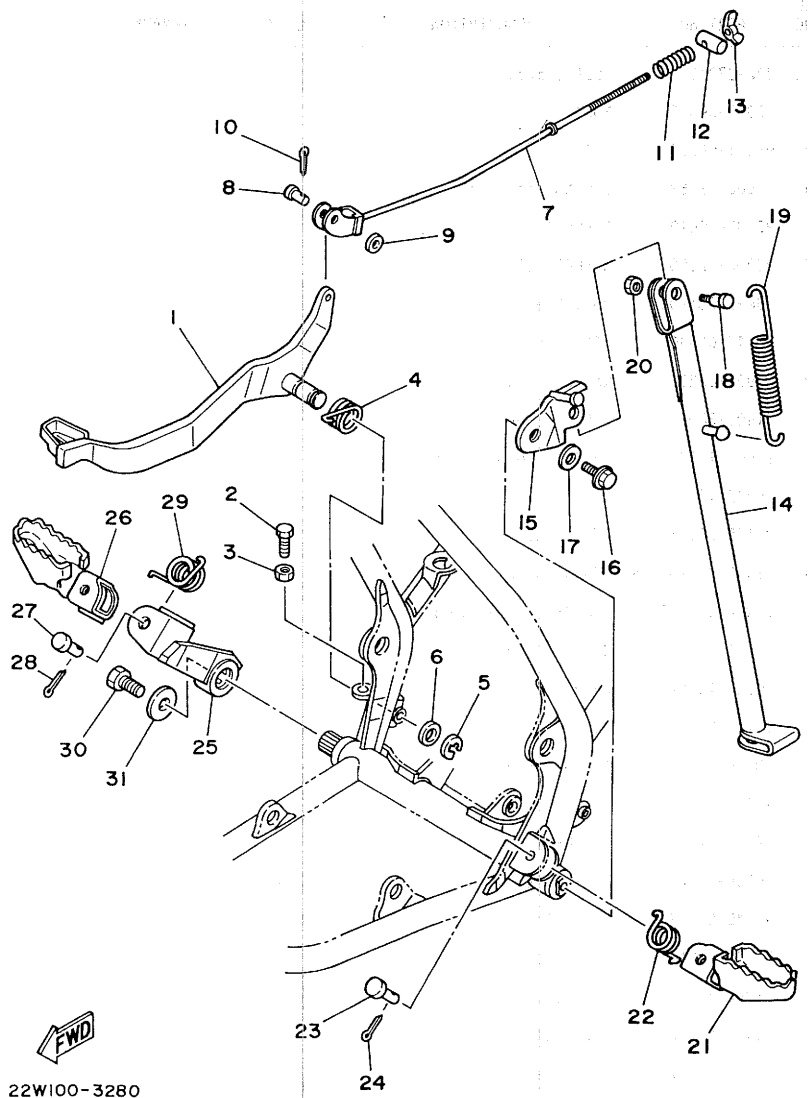


22W100-3280

FIG. 27 STAND, FOOTREST

REF. NO.	PART NO.	DESCRIPTION	Q'TY	REMARKS
1	22W-27211-00	PEDAL, brake	1	
2	97301-06012	BOLT	1	
3	95301-06700	NUT	1	
4	90508-32468	SPRING, torsion	1	
5	93430-09019	CIRCLIP	1	
6	92902-12600	WASHER, plate	1	
7	39K-27231-00	ROD, brake	1	
8	90240-06040	PIN, clevis	1	
9	92901-06200	WASHER, plain	1	
10	91401-20015	PIN, cotter	1	
11	90501-10245	SPRING, compression	1	
12	90249-12008	PIN	1	
13	90175-06016	NUT, wing	1	
14	22W-27311-00-R4	STAND, side	1	black
15	22W-27321-00	BRACKET, side stand	1	
16	95821-10016	BOLT, flange	1	
17	90201-102A2	WASHER, plate	1	
18	90109-08666	BOLT	1	
19	90506-28100	SPRING, tension	1	
20	95301-08700	NUT	1	
21	22W-27411-00	FOOTREST 1	1	
22	90508-20023	SPRING, torsion	1	
23	90240-08097	PIN, clevis	1	
24	91401-25015	PIN, cotter	1	
25	5X2-27422-01-33	BRACKET, footrest 2	1	yamaha black
26	22W-27421-00	FOOTREST 2	1	
27	90240-08097	PIN, clevis	1	
28	91401-25012	PIN, cotter	1	

D6



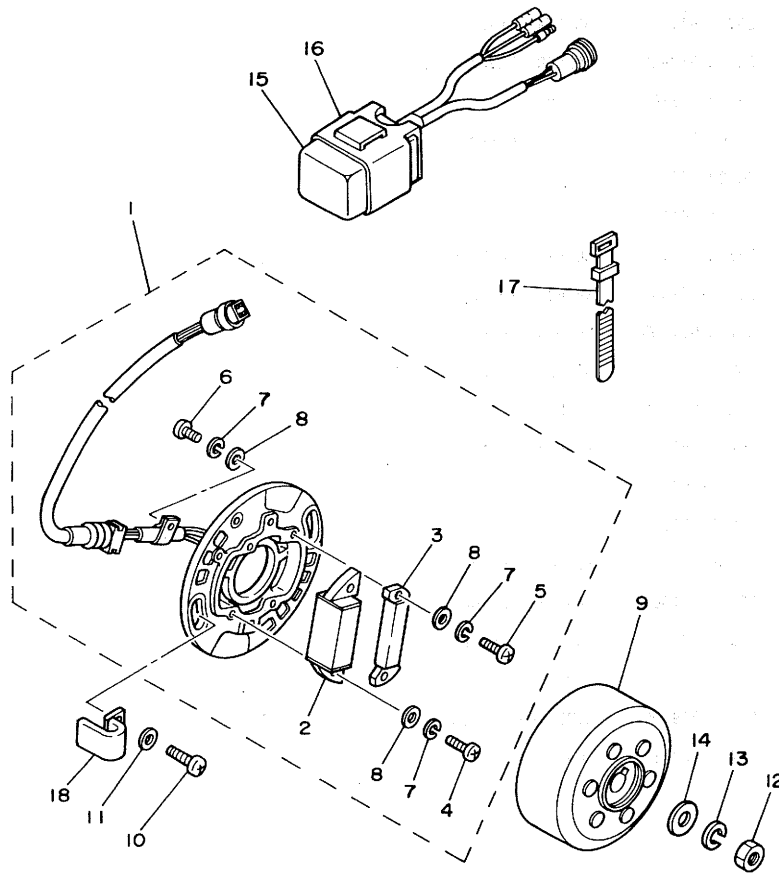
22W100-3280

FIG. 27 STAND, FOOTREST

REF. NO.	PART NO.	DESCRIPTION	Q'TY	REMARKS
29	90508-20023	SPRING, torsion	1	
30	97311-10022	BOLT	1	
31	90201-10144	WASHER, plate	1	

D7

FIG. 28 GENERATOR



REF. NO.	PART NO.	DESCRIPTION	Q'TY	REMARKS
1	39K-85510-20	STATOR ASSY	1	
2	39K-85512-20	.COIL, source	1	
3	39K-85580-20	.COIL, pulser	1	
4	98501-04025	.SCREW, pan head	2	
5	98501-04014	.SCREW, pan head	2	
6	98502-04008	.SCREW, pan head	1	
7	92902-04100	.WASHER, spring	5	
8	92901-04600	.WASHER, plate	5	
9	39K-85550-20	ROTOR ASSY	1	
10	92501-06014	SCREW, pan head	2	
11	92901-06600	WASHER, plate	2	
12	95311-10600	NUT	1	
13	92901-10100	WASHER, spring	1	
14	90201-10591	WASHER, plate	1	
15	39K-85540-20	C.D.I. UNIT ASSY	1	
16	2A7-85546-00	BAND	1	
17	437-83936-10	BAND, switch cord	1	
18	90462-05005	CLAMP	1	

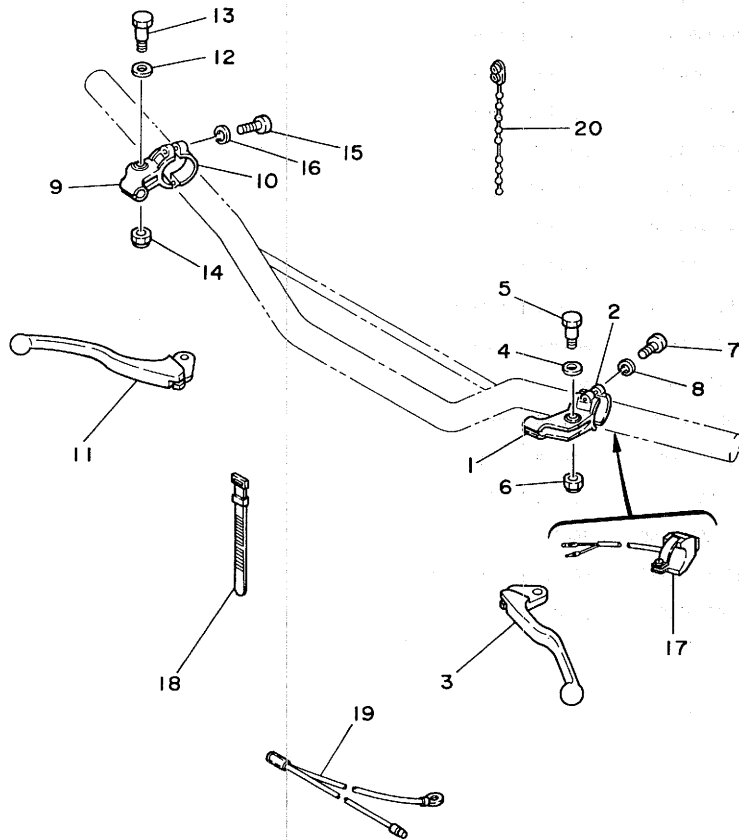


39K100-4280

D8

FIG. 29 HANDLE SWITCH. LEVER

REF. NO.	PART NO.	DESCRIPTION	Q'TY	REMARKS
1	38V-82911-00	HOLDER, lever 1	1	
2	38V-82913-00	HOLDER, lever lower 1	1	
3	23X-83912-00	LEVER 1	1	
4	90201-08083	WASHER, plate	1	
5	90109-06410	BOLT	1	
6	95601-06100	NUT, u	1	
7	98506-05018	SCREW, pan head	2	
8	92906-05100	WASHER, spring	2	
9	38V-82921-00	HOLDER, lever 2	1	
10	38V-82913-00	HOLDER, lever lower 1	1	
11	23X-83922-00	LEVER 2	1	
12	90201-08083	WASHER, plate	1	
13	90109-06410	BOLT	1	
14	95601-06100	NUT, u	1	
15	98506-05018	SCREW, pan head	2	
16	92906-05100	WASHER, spring	2	
17	22W-83976-00	SWITCH, handle 1	1	
18	437-83936-00	BAND, switch cord	1	
19	5X1-82519-00	WIRE, earth lead	1	
20	90464-20031	CLAMP	1	



FWD
39K100-4290

D9

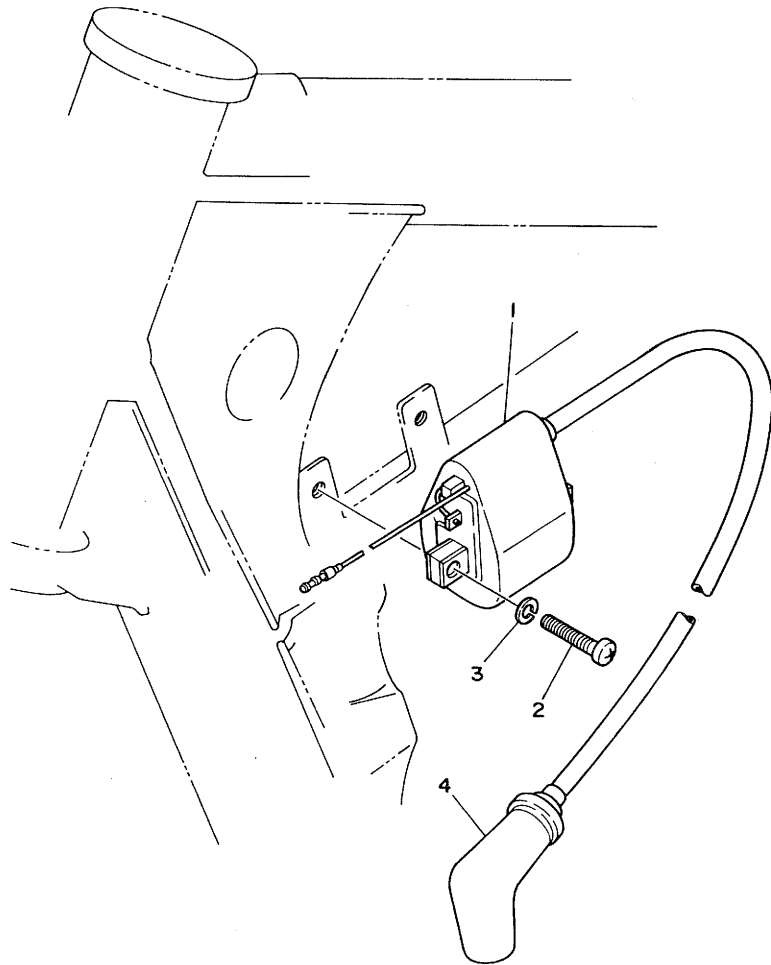


FIG. 30 ELECTRICAL 1

REF. NO.	PART NO.	DESCRIPTION	Q'TY	REMARKS
1	39K-82310-40	IGNITION COIL ASSY	1	
2	92501-06020	SCREW, pan head	2	
3	92902-06100	WASHER, spring	2	
4.	3R0-82370-20	PLUG CAP ASSY	1	UR
	1M1-82370-21	PLUG CAP ASSY	1	UR with noisesuppressor



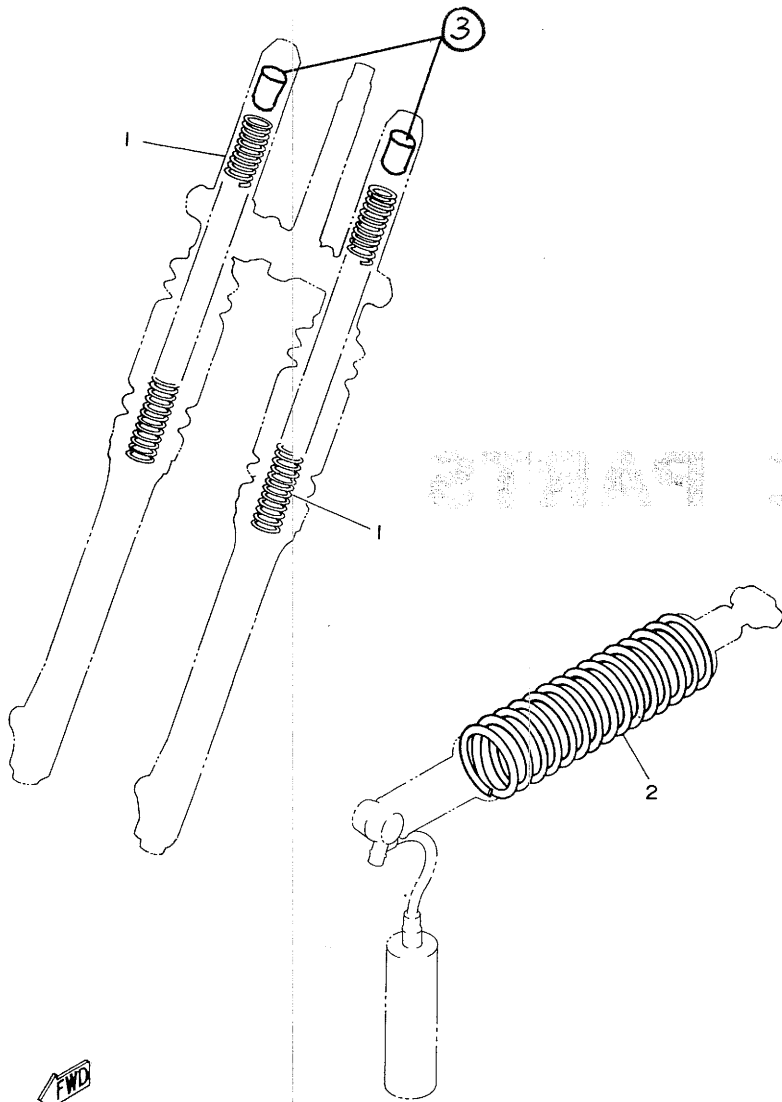
22W100-3291

D10

ALTERNATE PARTS

FIG. 31 ALTERNATE (CHASSIS)

REF. NO.	PART NO.	DESCRIPTION	Q'TY	REMARKS
1	39K-23141-20	SPRING, front fork	2	hard
2	22W-22212-30-6W	SPRING	1	hard native red
3	22N-23118-10	SPACER	2	(FOR HARD SPRING) <i>ADDED</i>



22W100-3311

D11

REPAIR KIT

1981

FIG. 32 REPAIR KIT

REF. NO.	PART NO.	DESCRIPTION	Q'TY	REMARKS
1	43K-11630-00	PISTON ASSY (STD)	1	
2	43K-11631-00-94	.PISTON (STD)	1	
3	43K-11611-00	.RING, piston	1	
4	4V1-11633-00	.PIN, piston	1	
5	5X2-11634-00	.CLIP, piston pin	2	
6	43K-11630-10	PISTON ASSY (1ST O/S)	1	
7	43K-11635-00	.PISTON (0.25MM O/S)	1	
8	43K-11611-10	.RING, piston	1	
9	4V1-11633-00	.PIN, piston	1	
10	5X2-11634-00	.CLIP, piston pin	2	
11	43K-11630-20	PISTON ASSY (2ND O/S)	1	
12	43K-11636-00	.PISTON (0.50MM O/S)	1	
13	43K-11611-20	.RING, piston	1	
14	4V1-11633-00	.PIN, piston	1	
15	5X2-11634-00	.CLIP, piston pin	2	
16	43K-11630-30	PISTON ASSY (3RD O/S)	1	
17	43K-11637-00	.PISTON (0.75MM O/S)	1	
18	43K-11611-30	.RING, piston	1	
19	4V1-11633-00	.PIN, piston	1	
20	5X2-11634-00	.CLIP, piston pin	2	
21	43K-11630-40	PISTON ASSY (4TH O/S)	1	
22	43K-11638-00	.PISTON (1.00MM O/S)	1	
23	43K-11611-40	.RING, piston	1	
24	4V1-11633-00	.PIN, piston	1	
25	5X2-11634-00	.CLIP, piston pin	2	
26	39K-11650-00	CONNECTING ROD ASSY	1	
27	39K-11651-00	.ROD, connecting	1	

D12

FIG. 32 REPAIR KIT

REF. NO.	PART NO.	DESCRIPTION	Q'TY	REMARKS
28	93310-418M6	.BEARING, cylindrical	1	
29	4V0-11681-00	.PIN, crank 1	1	
30	90209-18112	.WASHER	2	
31	93310-312M5	.BEARING, cylindrical	1	

D13

INDEX

NUMERICAL INDEX

PART NO.	GRID NO.	PART NO.	GRID NO.	PART NO.	GRID NO.	PART NO.	GRID NO.	PART NO.	GRID NO.	PART NO.	GRID NO.
43K-11111-00	B- 2	4V0-11681-00	B- 3	39K-14457-00	B- 7	22W-17421-00	B-15	5X1-2218A-00	C- 7	22W-23144-L0	C-13
22W-11181-00	B- 2		D-13	39K-14458-00	B- 7	164-17427-00-06	B-15	4V4-22184-00	C- 4	22W-23145-L0	C-12
43K-11311-00	B- 2	39K-12422-00	B- 5	39K-14467-00	B- 7	174-17461-20	B-15	22W-22189-00	C-10		C-13
4V0-11351-00	B- 2	5X2-12428-00	B- 5	4V2-14468-01	B- 7	174-17461-30	B-15	39K-22199-00	C- 7	22W-23146-L0	C-12
39K-11400-00	B- 3	39K-12446-00	B- 6	39K-14610-00	B-10	174-17461-40	B-15	39K-22210-00-6W	C- 9		C-13
39K-11412-00	B- 3	22W-12450-00	B- 5	43K-14610-00	B-10	174-17461-50	B-15	22W-22212-20-6W	C- 9	3J2-23147-00	C-12
39K-11422-00	B- 3	39K-12459-00	B- 5	22W-14613-00	B-10	22W-18101-00	C- 3	22W-22212-30-6W	D-11		C-13
43K-11611-00	B- 3	39K-12460-00	B- 6	39K-14718-00	B-10	22W-18110-00	C- 3	3R4-22213-00	C- 9	509-23151-L0	C-12
	D-12	22W-12462-00	B- 6	39K-14753-00	B-10	102-18137-00-10	B-13	22W-22214-00	C- 9		C-13
43K-11611-10	B- 3	22W-12463-00	B- 6	565-14771-00	B-10	22W-18140-00	C- 2	2X6-22216-00	C- 9	22W-23153-L0	C-12
	D-12	39K-12481-00	B- 6	22W-1490J-00	B- 9	1W1-18177-00	C- 2	3R4-22221-01	C- 9		C-13
43K-11611-20	B- 3	39K-12482-00	B- 6	39K-15111-00	B-11	4V0-18511-00	C- 2	22W-22223-00	C- 9	22W-23157-L0	C-12
	D-12	4V2-12494-00	B- 6	5X2-15113-00	B-11	39K-18512-00	C- 2	5X2-22228-00	C- 9		C-13
43K-11611-30	B- 3	353-13115-01	B-11	39K-15121-00	B-11	4V0-18513-00	C- 2	24X-22261-00	C-10	509-23158-L0	C-12
	D-12	5X2-13565-00	B- 7	4J2-15363-00	B-12	5X5-18531-01	C- 2	24X-22262-00	C-10		C-13
43K-11611-40	B- 3	22W-13581-00	B- 8	3R4-15383-01	B-15	5X5-18535-01	C- 2	39K-22401-00	C- 9	39K-23170-L0	C-12
	D-12	22W-13610-00	B- 7	4V0-15411-00	B-12	22W-18540-00	C- 2	22W-22409-00	C- 9		C-13
43K-11630-00	D-12	1L8-13613-00	B- 7	22W-15421-00	B-12	39K-21110-00-FH	C- 4	39K-22472-00	C- 9	3R8-23173-L0	C-12
43K-11630-10	D-12	10V-13616-01	B- 7	22W-15451-00	B-12	5X2-21511-10	C- 5	29L-22475-00	C- 9		C-13
43K-11630-20	D-12	39K-13621-00	B- 7	5X2-15462-00	B-12	22W-15233-00	C- 5	22W-22489-00	C- 9	278-23181-50	C-12
43K-11630-30	D-12	39K-14101-00	B- 9	4V0-15618-00	B-13	22W-21611-10	C- 5	5X2-22493-00	C- 9		C-13
43K-11630-40	D-12	10W-14103-00	B- 9	22W-15620-00	B-13	39K-21620-00	C- 5	3R4-22497-00	C- 9	23X-23190-L0	C-12
43K-11631-00-94	B- 3	10W-14104-00	B- 9	4V0-15621-00	B-13	4V0-21621-00	C- 5	39K-23102-L0	C-12		C-13
	D-12	22W-14106-00	B- 9	39K-15641-00	B-13	39K-21711-10	C- 6	39K-23103-L0	C-12	39K-23340-L0	C-13
43K-11631-00-95	B- 3	23L-14107-25	B- 9	39K-15651-00	B-13	39K-2172A-00	C- 6	22W-23110-L0	C-12	3R4-23389-00	C-11
4V1-11633-00	B- 3	2X6-14112-20	B- 9	22W-15660-00	B-13	39K-21721-10	C- 6		C-12	122-23411-00	C-11
	D-12	3R1-14115-00	B- 9	4V0-15664-00	B-13	39K-2174F-00	C- 4	22W-23111-L0	C-12	122-23412-00	C-11
	D-12	2A6-14126-00	B- 9	39K-16111-00	B-14	39K-21741-10	C- 6		C-13	122-23416-00	C-11
	D-12	248-14131-00	B- 9	39K-16150-00	B-14	22W-21746-00	C- 6	3J2-23114-00	C-12	22W-23435-00-98	C-11
	D-12	3R1-14141-44	B- 9	4V0-16154-00	B-14	39K-21781-10	B- 7		C-13	1E6-23441-00	C-11
	D-12	260-14142-35	B- 9	4V0-16321-00	B-14		C- 6	15R-23118-00	C-12	22W-23485-11	C-11
5X2-11634-00	B- 3	137-14143-46	B- 9	598-16324-00	B-14	3R1-21782-00	C- 6		C-13	22W-24110-10	C-14
	D-12	137-14143-48	B- 9	4Y2-16351-01	B-14		C- 6	122-23119-01	C-12	5X7-2412F-00	C-14
	D-12	137-14143-50	B- 9	137-16356-00	B-14	22W-21785-00	C-11		C-13	22W-24158-00	C-14
	D-12	3R1-14153-00	B- 9	2X3-16357-00	B-14	22W-21785-10	C-11	22W-2312K-00	C-12	3R3-24173-00	C-14
	D-12	2A6-14158-00	B- 9	1V1-16371-02	B-14	22W-21791-00	C- 6		C-12	22W-24181-00	B- 6
	D-12	3X3-14169-00	B- 9	39K-16382-00	B-14	39K-22110-00-35	C- 7	22W-23125-L0	C-12		C- 6
43K-11635-00	B- 3	405-14171-00	B- 9	4V0-17121-00	B-15	22W-22124-00	C- 7		C-13	22W-24183-00	C-14
	D-12	304-14184-00	B- 9	39K-17131-00	B-15	401-22127-00	C- 7	39K-23126-L0	C-12	39K-24250-11	C-14
43K-11636-00	B- 3	314-14185-00	B- 9	39K-17151-00	B-15	401-22128-01	C- 7	122-23129-00	C-12	2K5-24500-00	C-14
	D-12	127-14186-00	B- 9	39K-17161-00	B-15	22W-22129-00	C- 8		C-13	1A0-24512-00	C-14
43K-11637-00	B- 3	183-14196-00	B- 9	4V0-17211-00	B-15		C- 9	39K-23136-L0	C-12	214-24512-00	C-14
	D-12	39K-14401-00	B- 7	39K-17221-00	B-15	5X6-22129-00	C- 7	39K-23141-00	C-12	619-24535-00	C-14
43K-11638-00	B- 3	43K-14402-00	B- 7	4V0-17231-00	B-15	4V1-22141-00	C- 7		C-13	5X7-24611-01	C-14
	D-12	5X5-1441L-00	B- 7	39K-17241-00	B-15	39K-22151-00	C- 7	39K-23141-20	D-11	5X7-24612-00	C-14
39K-11650-00	D-12	39K-14451-00	B- 7	39K-17251-00	B-15	39K-2217A-00	C- 7	583-23142-00	C-12	22W-24770-10	C-15
39K-11651-00	B- 3	39K-14452-00	B- 7	39K-17261-00	B-15	22W-2217F-00	C- 8		C-13	22W-24771-10	C-15
	D-12	39K-14453-00	B- 7	4V0-17411-01	B-15	22W-22178-01	C- 4	22W-23144-L0	C-12	39K-25104-00	D- 2

NUMERICAL INDEX

PART NO.	GRID NO.	PART NO.	GRID NO.	PART NO.	GRID NO.	PART NO.	GRID NO.	PART NO.	GRID NO.	PART NO.	GRID NO.
39K-25111-00-98	D- 2	38V-82913-00	D- 9	90179-25033	C-11	90240-08097	D- 6	90501-10245	D- 6	92901-06100	C-14
462-25118-00	D- 2		D- 9	90185-08113	C- 4	90249-12008	D- 6	90501-12081	B-13	92901-06200	D- 6
39K-25121-00-98	D- 2	38V-82921-00	D- 9		C- 5	90250-06013	C- 2	90501-20644	B-14	92901-06600	B- 7
39K-25130-00	D- 2	23X-83912-00	D- 9		C- 7	90280-03017	B- 3	90504-03033	B- 7		B-10
	D- 3	23X-83922-00	D- 9	90185-10110	C- 7	90282-05001	B-14	90506-14081	D- 2		D- 8
451-25151-00	D- 2	437-83936-00	C- 5		C- 8	90338-07011	B-11		D- 3	92901-08100	C-13
39K-25155-00	D- 2		D- 9		C- 8	90340-12095	B-11	90506-28100	D- 6	92901-10100	D- 8
22W-25181-01	D- 2	437-83936-10	D- 5		C- 9	90380-12094	C- 7	90507-20030	B-10	92901-10600	C- 8
2J5-25183-00	D- 2		D- 8		C- 9	90380-16109	C- 7	90508-18463	B-14		C- 8
1T1-25194-00	D- 2	22W-83976-00	D- 9	90185-12046	D- 2	90381-08002	B- 5	90508-20023	D- 6		C- 9
39K-25304-00	D- 3	39K-85510-20	D- 8		D- 4	90383-16023	C- 8		D- 7		C- 9
39K-25311-00-98	D- 3	39K-85512-20	D- 8	90185-12119	C- 7		C- 8	90508-26462	C- 2	92902-04100	B- 9
39K-25321-00-98	D- 3	39K-85540-20	D- 8	90201-05775	B- 14	90384-18190	C- 7	90508-26464	B-13		D- 8
3R0-25351-00	D- 3	2A7-85546-00	D- 8	90201-06067	C- 7	90385-17042	C- 7	90508-32465	C- 3	92902-06100	C- 5
3R0-25355-11	D- 3	39K-85550-20	D- 8	90201-06072	C-14	90387-07392	B- 6	90508-32468	D- 6		D-10
39K-25381-00	D- 3	39K-85580-20	D- 8		C-14	90387-07598	C-14	90560-12256	D- 3	92902-06700	C- 4
5H5-25389-00	D- 4	90101-06278	D- 3	90201-06557	C- 5		C-14	90560-12257	D- 2	92902-12600	D- 6
5X2-25394-00	D- 3	90101-06291	D- 2	90201-06570	B- 6	90387-10569	C- 8	91401-20015	D- 6	92906-05100	D- 9
39K-25444-00	D- 3	90101-08034	D- 4	90201-06571	C- 6	90387-10660	C- 8	91401-25012	D- 6		D- 9
39K-25446-00	D- 3	90105-14137	C-11		C- 6		C- 9	91401-25015	D- 6	92906-06600	B- 7
39K-25448-00	D- 3	90109-06410	D- 9	90201-067A0	C- 4	90387-127J7	C- 7	91830-21014	B-12	93102-20143	B-15
39K-25450-00	D- 3		D- 9	90201-08083	D- 9	90387-127J8	C- 7	91830-22016	B-11	93102-20231	B- 3
22W-26111-00	D- 5	90109-08666	D- 6		D- 9	90387-127J9	D- 4	92501-06012	B-11	93103-10113	B- 5
4V4-26241-01	D- 5	90109-08706	D- 3	90201-08085	B- 5	90387-202F0	B-14		C-11	93103-28126	B- 4
4V4-26242-01	D- 5	90109-10688	C- 8	90201-081A6	D- 3	90430-06016	B-12		C-14	93106-18013	D- 2
22W-26243-00	D- 5	90109-10689	C- 8	90201-08649	B- 2		B- 2	92501-06014	C- 6	93106-20002	D- 3
5X2-2628H-01	D- 5		C- 9	90201-08730	C- 5		B- 5		C- 6	93109-12012	C- 3
5X2-26281-00	D- 5	90109-10690	C- 7	90201-100E9	C- 7	90430-12038	B-11		D- 8	93109-14021	B-14
322-26282-00-98	D- 5	90109-10729	C- 9	90201-10144	D- 7	90445-08376	B-11	92501-06020	D-10	93109-15001	B-13
22W-26311-00	D- 5	90116-08438	B- 2	90201-102A2	D- 6	90445-09304	C-14	92501-06035	B-11	93109-16035	C- 8
39K-26335-00	D- 5	90119-06043	B- 8	90201-10591	D- 8	90445-16673	B- 8	92501-06045	B-11	93109-17048	C- 7
39K-26341-00	D- 5	90119-06063	C- 5	90201-10614	B- 5	90460-22252	B- 6	92502-06016	C- 5	93210-14104	B-12
382-26372-01	D- 5	90119-06073	C-14	90201-12174	D- 2	90460-31253	B- 6	92506-06008	B-12	93210-16275	B- 6
	D- 5		C-14	90201-12469	C- 7	90460-43053	B- 7	92506-06016	B- 6	93210-18288	B- 9
	D- 6	90119-06080	B- 6	90201-12631	B-13	90460-51059	B- 7		B- 7	93306-00104	D- 2
39K-27231-00	D- 6	90119-06085	B- 8	90201-14411	B-14	90460-58124	B- 7	92506-06020	B- 5		D- 3
22W-27311-00-R4	D- 6	90123-08013	D- 5	90201-154A1	B-13	90462-05005	D- 8	92506-06025	B-12	93306-00105	D- 2
22W-27321-00	D- 6	90149-06011	C-14	90201-174H1	C- 7	90462-14055	C-11	92506-06030	B-12		D- 3
22W-27411-00	D- 6	90153-06045	B- 2	90202-06010	B-10	90464-20031	D- 9	92506-06040	B-12	93306-20333	B-15
22W-27421-00	D- 6	90159-05100	C- 6		C- 9	90467-08004	B- 6	92506-06060	B- 5	93306-20401	B-15
5X2-27422-01-33	D- 6	90159-05101	C- 6	90206-12082	C- 9	90467-16063	B- 8	92701-06012	B-15	93306-20438	B- 3
39K-28100-00	C- 4	90159-06060	C-11	90208-12015	B-14	90468-26046	B-13	92901-04600	D- 8	93306-30101	D- 3
39K-82310-40	D-10	90170-20213	C- 9		B-14	90480-12053	C- 6	92901-06100	B- 7	93310-312M5	B- 3
1M1-82370-21	D-10	90175-06016	D- 6	90209-06187	C- 5	90480-13197	B- 8		B-10		D-13
3R0-82370-20	D-10	90179-08148	D- 5	90209-18112	B- 3	90480-15064	B- 6		C- 6	93310-418M6	B- 3
5X1-82519-00	D- 9	90179-10272	B-13		D-13	90480-17359	C-10		C- 6		D-13
688-82535-00	D- 5	90179-12244	B-14	90240-06040	D- 6	90480-18290	C-14		C-11	93315-21429	B-14
38V-82911-00	D- 9	90179-12335	B-14	90240-08097	D- 6		C-14		C-14	93315-31502	B-15

NUMERICAL INDEX

PART NO.	GRID NO.	PART NO.	GRID NO.	PART NO.	GRID NO.	PART NO.	GRID NO.	PART NO.	GRID NO.
93317-11245	B-15	95811-08135	C- 4						
93317-21746	C- 7	95821-08030	C-11						
93332-00059	C-11	95821-08040	C- 7						
93410-12003	B-13	95821-10016	D- 6						
93410-18062	B-15	95826-06020	B- 5						
93410-20038	B-15	97301-06012	B- 7						
93430-07012	B- 5		C-14						
93430-08007	B-13		D- 6						
93430-09019	D- 6	97301-06016	B-10						
93430-10016	C- 3		C- 4						
93440-15012	B-15	97301-06025	B- 7						
93440-16089	B-15	97311-10022	D- 7						
93440-42101	C- 9	97321-06020	C- 3						
93503-16010	B-14	97321-08035	C-13						
	C-11	97602-03108	B- 7						
93507-32009	B-13	97702-40116	B- 7						
93603-22028	B- 5	98501-04005	C- 9						
93604-10011	B- 5	98501-04014	D- 8						
93604-26132	C- 9	98501-04025	D- 8						
93608-30128	C- 3	98502-04008	D- 8						
94108-170F1	D- 2	98506-05016	D- 5						
94111-147E9	D- 3	98506-05018	D- 9						
94227-17152	D- 2		D- 9						
94241-14175	D- 3	98511-04016	B- 9						
94327-17103	D- 2	98606-04012	D- 5						
94336-14102	D- 3	98701-05020	B-14						
94414-17374	D- 2	98903-06008	B-10						
94414-17379	D- 2								
94416-14375	D- 3								
94416-14378	D- 3								
94580-24114	D- 4								
94680-24001	D- 4								
95021-08012	C- 4								
95301-06600	D- 2								
	D- 3								
95301-06700	D- 6								
95301-08700	D- 4								
	D- 6								
95311-08600	B- 2								
95311-10600	D- 8								
95601-06100	D- 9								
	D- 9								
95611-08100	D- 3								
95801-06025	C- 7								
95801-08020	C- 5								
95801-08025	C- 5								
95801-08035	C-11								
95811-08125	C- 4								

PARTS NAME INDEX

DESCRIPTION	GRID NO.	DESCRIPTION	GRID NO.	DESCRIPTION	GRID NO.
AIR CLEANER CASE ASSY	B- 7	BOLT	D- 3	CAP ASSY, air cleaner	B- 7
AIR SCREW SET	B- 9	*	D- 4	CAP, case	C- 9
AIR VALVE COMP.	C-12	*	D- 5	CAP, grip lower	D- 5
*	C-13	*	D- 6	CAP, grip upper	D- 5
ARM, relay	C- 7	*	D- 7	CAP, radiator	B- 6
AXLE, drive	B-15	*	D- 9	CAP, wire	D- 5
AXLE, main	B-15	BOLT, cap	C-12	CARBURETOR ASSY 1	B- 9
AXLE, push lever	B-14	*	C-13	CHAIN	D- 4
AXLE, wheel	D- 2	BOLT, flange	B- 5	CHAMBER, air	B- 8
*	D- 3	*	C- 4	CIRCLIP	B- 5
BALL	B-13	*	C- 5	*	B-13
*	B-14	*	C- 7	*	B-15
*	C-11	*	C-11	*	C- 3
BAND	D- 8	*	D- 6	*	C- 9
BAND, rim (2.75-17)	D- 2	BOLT, hexagon socket head	C-12	*	D- 6
BAND, rim (3.60-14)	D- 3	*	C-13	CLAMP	C-11
BAND, switch cord	C- 5	BOLT, stopper	C- 2	*	D- 8
*	D- 5	BOLT, stud	B- 2	*	D- 9
*	D- 8	BOLT, washer based	C-11	CLAMP, hose	B- 6
*	D- 9	BOLT, with washer	B- 6	*	B- 7
BAND, tank fitting 1	C-14	*	B- 8	CLIP	B- 6
BAR, shift fork guide 1	C- 2	*	C- 5	*	B- 8
BAR, shift fork guide 2	C- 2	*	C-14	*	B-13
BEARING	B- 3	BOOT, rubber	C-10	CLIP, piston pin	B- 3
*	B-15	BOSS, clutch	B-14	*	D-12
*	C-11	BOSS, kick crank	B-13	COIL, pulser	D- 8
BEARING (B6001)	D- 2	BRACKET, footrest 2	D- 6	COIL, source	D- 8
*	D- 3	BRACKET, seat	C-14	COLLAR	B- 6
BEARING (B6001RS)	D- 2	BRACKET, side stand	D- 6	*	B-14
*	D- 3	BRAKE SHOE COMP.	D- 2	*	C- 7
BEARING (B6204)	B-15	*	D- 3	*	C- 8
BEARING (B6301)	D- 3	BUMP, stop	C- 9	*	C- 9
BEARING, cylindrical	B- 3	BUSH	C- 4	*	C-14
*	B-14	*	C- 7	*	D- 4
*	B-15	BUSH 2	C- 7	COLLAR, wheel	D- 2
*	C- 7	BUSH, bimetal formed	C- 7	CONNECTING ROD ASSY	D-12
*	D-13	BUSH, formed	C- 8	CONNECTOR, suction pipe	B-11
BODY, cap	C-14	BUSH, rear shock absorber	C- 9	COVER	C- 9
BOLT	B- 7	BUSH, solid	B- 5	COVER, ball race 2	C-11
*	B-10	*	C- 7	COVER, crankcase 1	B-12
*	C- 3	C.D.I. UNIT ASSY	D- 8	COVER, crankcase 2	B-12
*	C- 4	CABLE ADJUST SCREW SET	B- 9	COVER, handle lever 1	D- 5
*	C- 7	CABLE, brake	D- 5	COVER, housing	B- 5
*	C- 8	CABLE, clutch	D- 5	COVER, hub dust	D- 2
*	C- 9	CABLE, throttle 1	D- 5	COVER, kick lever	B-13
*	C-13	CAMSHAFT	D- 2	COVER, semi-double seat	C-15
*	C-14	*	D- 3	COVER, side 1	C- 6
*	D- 2	CAP	B- 9	COVER, side 2	C- 6

PARTS NAME INDEX

DESCRIPTION	GRID NO.	DESCRIPTION	GRID NO.	DESCRIPTION	GRID NO.
COVER, side 4	C- 6	GASKET, cap	C-14	HOSE	C-14
COVER, thrust 2	C- 7	GASKET, crankcase cover 1	B-12	HUB, front	D- 2
*	C- 8	GASKET, crankcase cover 3	B-12	HUB, rear	D- 3
*	C- 9	GASKET, cylinder	B- 2	IGNITION COIL ASSY	D-10
CRANK 1	B- 3	GASKET, cylinder head 1	B- 2	IMPELLER SHAFT ASSY	B- 5
CRANK 2	B- 3	GASKET, drain plug	C-12	INNER TUBE COMP.1	C-12
CRANKCASE 1	B-11	*	C-13	JET, main (#230)	B- 9
CRANKCASE 2	B-11	GASKET, exhaust pipe	B-10	JET, main (#240)	B- 9
CRANKSHAFT ASSY	B- 3	GASKET, float chamber	B- 9	JET, main (#250)	B- 9
CROWN, handle	C-11	GASKET, housing cover 2	B- 5	JET, pilot (# 35)	B- 9
CYLINDER 1	B- 2	GASKET, valve seat	B- 7	JOINT	B- 6
CYLINDER COMP., front fork	C-12	GEAR, 1st wheel (36T)	B-15	JOINT, air cleaner 1	B- 7
*	C-13	GEAR, 2nd pinion (16T)	B-15	JOINT, carburetor	B- 7
DAMPER	C- 6	GEAR, 2nd wheel (33T)	B-15	JOINT, chain	D- 4
DAMPER SUB ASSY	C- 9	GEAR, 3rd pinion (16T/19T)	B-15	KEY, straight	B-14
DAMPER, locating 1	B- 6	GEAR, 3rd wheel (31T)	B-15	KEY, woodruff	B- 3
*	C- 6	GEAR, 4th wheel (22T)	B-15	KICK AXLE ASSY	B-13
DAMPER, locating 3	C-14	GEAR, 5th pinion (22T)	B-15	KICK CRANK ASSY	B-13
DAMPER, sub tank	C-10	GEAR, 5th wheel (27T)	B-15	LEVER 1	D- 9
ELEMENT, air cleaner	B- 7	GEAR, 6th pinion (23T)	B-15	LEVER 2	D- 9
EMBLEM 1	B- 7	GEAR, 6th wheel (26T)	B-15	LEVER, camshaft	D- 3
*	C- 6	GEAR, impeller shaft	B- 5	LEVER, camshaft 1	D- 2
EMBLEM 2	C- 6	GEAR, kick (24T)	B-13	METAL, slide 1	C-12
EMBLEM 5	C-11	GEAR, kick idle	B-13	*	C-13
EMBLEM, rear arm	C- 7	GEAR, primary drive	B-14	MUD GUARD COMP.	C- 5
EXHAUST PIPE ASSY 1	B-10	GRAPHIC SET	C-14	NEEDLE SET	B- 9
FENDER, front	C- 5	GRIP (L.H)	D- 5	NEEDLE VALVE SET	B- 9
FENDER, rear	C- 5	GRIP (R.H)	D- 5	NOZZLE, main	B- 9
FLAP	C- 5	GROMMET	B- 6	NUT	B- 2
FLOAT	B- 9	*	B- 8	*	B-13
FOOTREST 1	D- 6	*	C- 6	*	B-14
FOOTREST 2	D- 6	*	C-10	*	C- 6
FORK, shift 1	C- 2	*	C-14	*	C- 9
FORK, shift 2	C- 2	*	D- 5	*	C-11
FORK, shift 3	C- 2	GUARD, radiator	C- 4	*	D- 2
FRAME COMP.	C- 4	GUIDE	B- 7	*	D- 3
FRONT FORK ASSY (L.H)	C-12	GUIDE, cable	C-11	*	D- 4
FRONT FORK ASSY (R.H)	C-12	GUIDE, spring	B-13	*	D- 5
FUEL COCK ASSY 1	C-14	GUIDE, spring 1	C- 9	*	D- 6
FUEL TANK COMP.	C-14	HANDLEBAR	D- 5	*	D- 8
GASKET	B- 2	HEAD, cylinder 1	B- 2	NUT, adjusting	C- 9
*	B- 5	HOLDER, handle upper	C-11	NUT, self-locking	C- 4
*	B- 9	HOLDER, lever 1	D- 9	*	C- 5
*	B-11	HOLDER, lever 2	D- 9	*	C- 7
*	B-12	HOLDER, lever lower 1	D- 9	*	C- 8
*	C-12	HOLDER, sub tank	C-10	*	C- 9
*	C-13	HOSE	B- 8	*	D- 2
*	C-14	*	B-11	*	D- 4

PARTS NAME INDEX

DESCRIPTION	GRID NO.	DESCRIPTION	GRID NO.	DESCRIPTION	GRID NO.
NUT, u	D- 3	PISTON (0.75MM O/S)	D-12	RING, snap	C-13
*	D- 9	PISTON (1.00MM O/S)	B- 3	ROD, brake	D- 6
NUT, wing	D- 6	*	D-12	ROD, connecting	B- 3
O-RING	B- 6	PISTON (STD)	B- 3	*	D-12
*	B- 9	*	D-12	ROD, connecting 1	C- 8
*	B-12	PISTON ASSY (1ST O/S)	D-12	ROD, push	C- 9
*	C-12	PISTON ASSY (2ND O/S)	D-12	ROD, push 1	B-14
*	C-13	PISTON ASSY (3RD O/S)	D-12	ROD, push 2	B-14
*	C-14	PISTON ASSY (4TH O/S)	D-12	ROTOR ASSY	D- 8
OIL SEAL	B- 3	PISTON ASSY (STD)	D-12	SCREW	C-14
*	B- 4	PISTON, front fork	C-12	SCREW, bind	B-10
*	B- 5	PLATE	B-11	SCREW, flat head	B-14
*	B-13	PLATE 1	C- 5	*	B-15
*	B-14	PLATE, bearing cover	B-15	SCREW, hexagon	B- 2
*	B-15	PLATE, brake shoe	D- 2	SCREW, lever fitting	C-14
*	C- 3	*	D- 3	SCREW, oval head	D- 5
*	C- 7	PLATE, clutch 1	B-14	SCREW, pan head	B- 5
*	C- 8	PLATE, element fitting	B- 7	*	B- 6
*	C-12	PLATE, friction	B-14	*	B- 7
*	C-13	PLATE, number	C-11	*	B- 9
*	D- 2	PLATE, pressure 1	B-14	*	B-11
*	D- 3	PLATE, thrust 1	B-14	*	B-12
PANEL 1	B- 7	PLUG	B-11	*	C- 5
*	C- 6	PLUG CAP ASSY	D-10	*	C- 6
PEDAL, brake	D- 6	PLUG, drain	C-12	*	C- 9
PIN	D- 6	*	C-13	*	C-11
PIN, clevis	D- 6	PLUG, oil	B-12	*	C-14
PIN, cotter	D- 6	PLUG, screw	B- 9	*	D- 5
PIN, crank 1	B- 3	PLUG, spark (CHAMPION N-84)	B- 2	*	D- 8
*	D-13	PLUG, spark (CHAMPION QN-84)	B- 2	*	D- 9
PIN, dowel	B- 5	PLUG, straight screw	B-11	*	D-10
*	B-11	PLUNGER, starter	B- 9	SCREW, pan head with washer	B- 7
*	B-12	PRIMARY DRIVEN GEAR COMP.	B-14	SCREW, tapping	B- 7
*	C- 3	PROTECTOR, muffler 1	B-10	SCREW, with washer	C- 6
*	C- 9	PULLER, chain 2	D- 4	*	C-11
PIN, float	B- 9	RACE, ball 1	C-11	SEAL	B- 7
PIN, piston	B- 3	RACE, ball 2	C-11	SEAL, dust	C- 9
*	D-12	RADIATOR ASSY	B- 6	*	C-12
PIN, straight	C- 2	REAR ARM COMP.	C- 7	*	C-13
PIPE	B- 9	REED VALVE ASSY	B- 7	SEAL, guard	C- 7
PIPE 1	B- 6	REED, valve	B- 7	SEAL, pipe 1	B- 6
PIPE 2	B- 6	RIM (1.40-17)	D- 2	SEAT, spring lower	C- 9
PIPE, breather	B- 6	RIM (1.60-14)	D- 3	SEAT, spring upper	C- 9
PISTON (0.25MM O/S)	B- 3	RING, piston	B- 3	*	C-12
*	D-12	*	C-12	*	C-13
PISTON (0.50MM O/S)	B- 3	*	C-13	SEMI-DOUBLE SEAT ASSY	C-15
*	D-12	*	D-12	SHAFT, pivot	C- 7
PISTON (0.75MM O/S)	B- 3	RING, snap	C-12	SHIFT CAM ASSY	C- 2

PARTS NAME INDEX

DESCRIPTION	GRID NO.	DESCRIPTION	GRID NO.	DESCRIPTION	GRID NO.
SHIFT PEDAL ASSY	C- 3	STAY, fuel tank 2	C-14	WASHER, plate	D- 7
SHIFT SHAFT ASSY	C- 3	STAY, muffler 1	B-10	*	D- 8
SHIM	C- 7	STOPPER LEVER ASSY	C- 2	*	D- 9
SHIM 1 (0.6T)	B-15	STOPPER, reed valve	B- 7	WASHER, spring	B- 7
SHOCK ABSORBER ASSY, rear	C- 9	SUPPORT, bump stop	C- 9	*	B- 9
SILENCER, exhaust	B-10	SUPPORT, chain	C- 7	*	B-10
SPACER	C-12	SWITCH, handle 1	D- 9	*	C- 5
*	C-13	TENSIONER	C- 4	*	C- 6
*	D- 2	THROTTLE SCREW SET	B- 9	*	C-11
*	D- 3	TIRE	D- 2	*	C-13
SPACER, bead	D- 2	*	D- 3	*	C-14
*	D- 3	TOOL KIT	C- 4	*	D- 8
SPINDLE, taper	C-12	TOP, mixing chamber	B- 9	*	D- 9
*	C-13	TUBE (2.75-17)	D- 2	*	D-10
SPOKE SET, front	D- 2	TUBE (4.10-14)	D- 3	WASHER, wave	C- 9
SPOKE SET, rear	D- 3	TUBE, outer 1	C-12	WIRE, earth lead	D- 9
SPRING	C- 9	TUBE, outer 2	C-12		
*	D-11	TUBE, throttle guide	D- 5		
SPRING, compression	B- 7	UNDER BRACKET COMP.	C-13		
*	B-13	UPPER BRACKET SUB ASSY	C- 9		
*	B-14	VALVE, throttle 1	B- 9		
*	D- 6	WASHER	B- 3		
SPRING, front fork	C-12	*	C- 4		
*	C-13	*	C- 5		
*	D-11	*	D-13		
SPRING, rebound	C-12	WASHER 1	B-13		
*	C-13	WASHER, conical spring	B-14		
SPRING, tension	B-10	WASHER, main jet	B- 9		
*	D- 2	WASHER, oil seal	C-12		
*	D- 3	*	C-13		
*	D- 6	WASHER, plain	D- 6		
SPRING, throttle valve	B- 9	WASHER, plate	B- 2		
SPRING, torsion	B-13	*	B- 5		
*	B-14	*	B- 6		
*	C- 2	*	B- 7		
*	C- 3	*	B-10		
*	D- 6	*	B-13		
*	D- 7	*	B-14		
SPROCKET, drive (12T)	B-15	*	C- 4		
SPROCKET, drive (13T)	B-15	*	C- 5		
SPROCKET, drive (14T)	B-15	*	C- 6		
SPROCKET, drive (15T)	B-15	*	C- 7		
SPROCKET, driven (44T)	D- 3	*	C- 8		
SPROCKET, driven (46T)	D- 3	*	C- 9		
SPROCKET, driven (48T)	D- 3	*	C-14		
SPROCKET, driven (50T)	D- 3	*	D- 2		
STAND, side	D- 6	*	D- 3		
STATOR ASSY	D- 8	*	D- 6		